

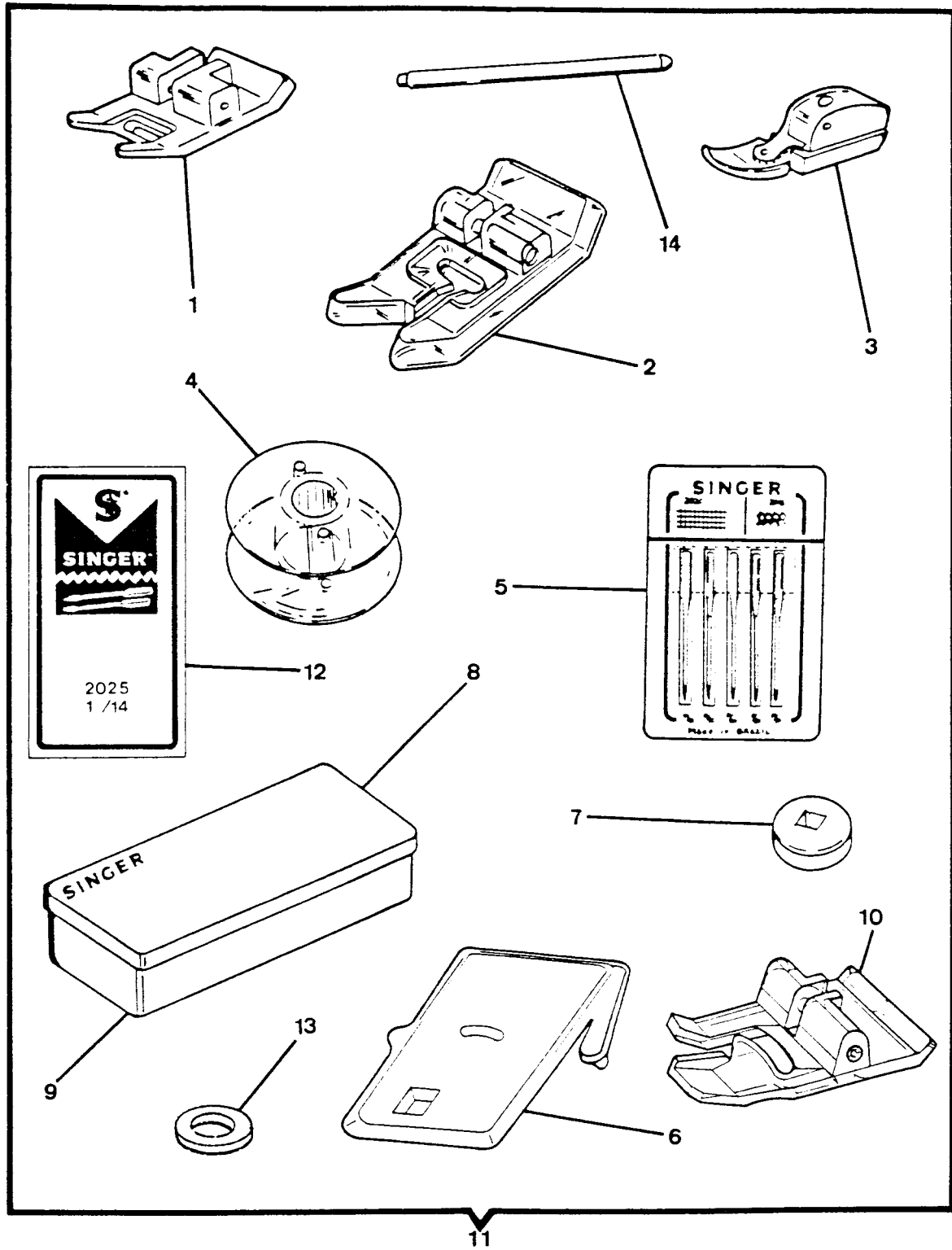
SINGER
6021/6221/4538

INDEX

=====

PAGE NBR	SUB-ASSEMBLY
01 - 02	ATTACHMENT SET
03 - 06	ARM, BED, THROAT PLATE & BED SLIDE
07 - 12	COVERS & ADD-ONS
13 - 16	NEEDLE BAR, PRESSER BAR & TAKE-UP
17 - 18	ARM SHAFT DRIVE
19 - 20	HAND WHEEL
21 - 22	TENSION ASSEMBLY
23 - 24	HOOK SYSTEM
25 - 26	BIGHT AMPLITUDE
27 - 28	NEEDLE POSITION
29 - 30	DISC SELECTION ASSEMBLY
31 - 32	CAM STACK
33 - 36	BUTTONHOLER & FEED REGULATOR CAM
37 - 38	CAM CONTROLLED FEED
39 - 42	FEED SYSTEM
43 - 44	OPTIONS
45 - 51	ELECTRICAL EQUIPMENT

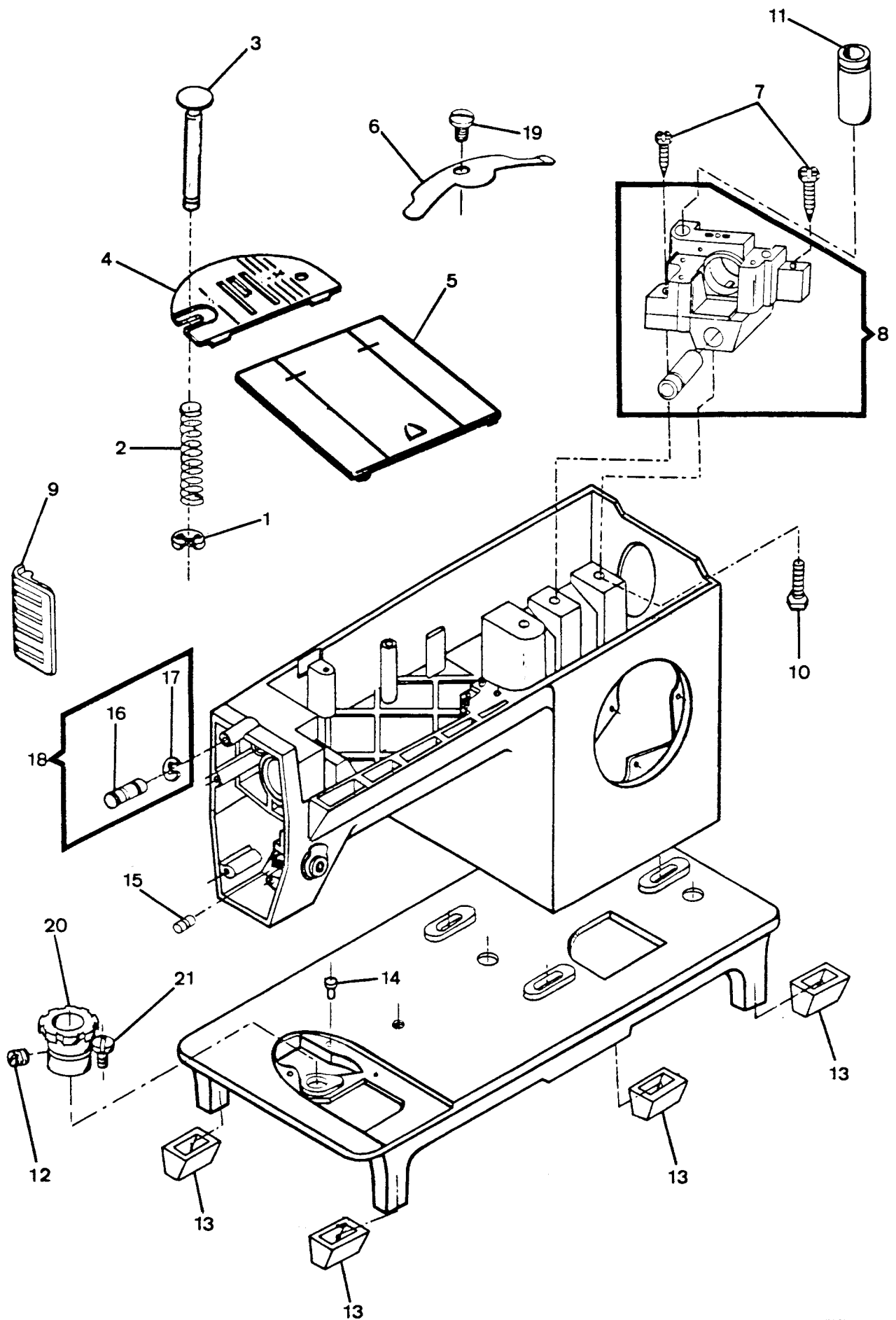
ATTACHMENT SET



PART LIST
ATTACHMENT SET

REF.	PART NBR	DESCRIPTION			
			6	6	4
			0	2	5
			2	2	3
			1	1	8
01	446492-451	SPECIAL PURPOSE PRESSER FOOT PLATE (SNAP-ON)	X	X	X
02	161927	PRESSER FOOT PLATE (SNAP-ON) FOR SEWING BUTTONHOLES	X	X	X
03	507836	PRESSER FOOT PLATE (SNAP-ON) COMPLETE FOR CORDING & SLIDE FASTENERS	X	X	X
04	172336	BOBBIN (PLASTIC)	X	X	X
05	353364	NEEDLE PACK	X	X	X
06	313117	FEED COVER PLATE		X	X
06	381495	FEED COVER PLATE	X		
07	507664-459	ARM TOP COVER SPOOL PIN THREAD LEAF-OFF	X	X	X
08	446149-453	ATTACHMENT BOX COVER (PLASTIC)	X	X	X
09	446148-454	ATTACHMENT BOX BASE (PLASTIC)	X	X	X
10	356630	BLIND STITCH GUIDE	X	X	X
11	446496-010	ATTACHMENT SET COMPLETE		X	
11	356167-004	ATTACHMENT SET COMPLETE (FOR USA/CANADA ONLY)			X
11	531673	ATTACHMENT SET COMPLETE	X		
11	356211-005	ATTACHMENT SET COMPLETE (FOR AMEDO ONLY)		X	
11	446496-009	ATTACHMENT SET COMPLETE			X
12	531868	NEEDLE PACK WITH 2025N (FOR USA/CANADA)	X	X	X
13	8879-455	SPOOL PIN FELT FOR TWIN NEEDLE (FOR USA/CAN.)	X	X	X
14	179948-451	SPOOL PIN FOR TWIN NEEDLE (FOR USA/CANADA)	X	X	X

ARM, BED, THROAT PLATE & BED SLIDE

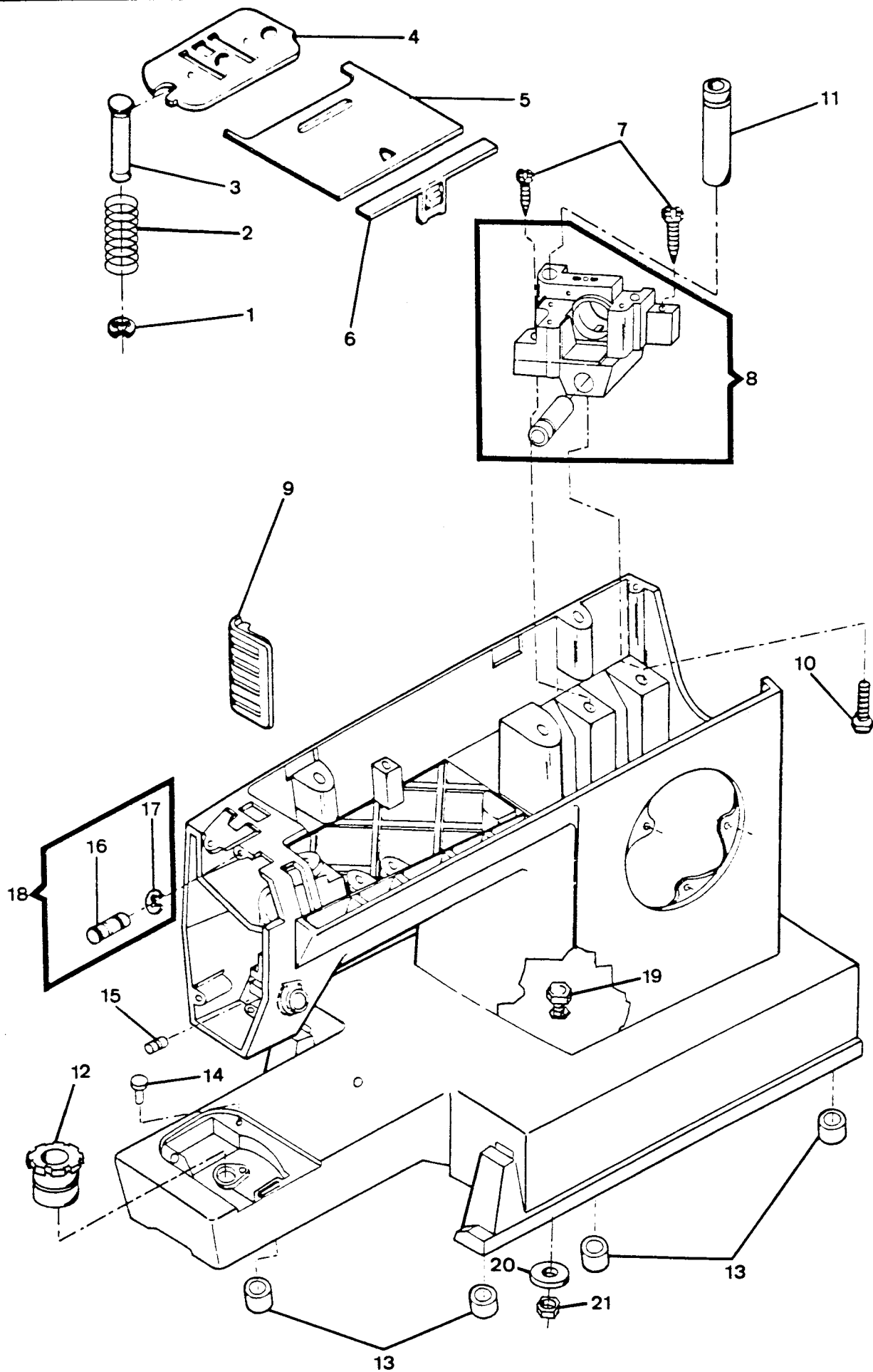


PART LIST
ARM, BED, THROAT PLATE & BED SLIDE

6 6 4
0 2 5
2 2 3
1 1 8

REF.	PART NBR	DESCRIPTION	1	1	8
01	445721	THROAT PLATE CLAMP SPRING RETAINING RING	X		
02	444889	THROAT PLATE CLAMP SPRING	X		
03	444888	THROAT PLATE CLAMP	X		
04	531663	THROAT PLATE	X		
05	446151	BED SLIDE	X		
06	37239	BED SLIDE SPRING (SNAP-ON)	X		
07	113455-006	ARM SHAFT (REAR) HOUSING MOUNTING SCREW	X		
08	446347-001	ARM SHAFT (REAR) HOUSING ASSEMBLY	X		
09	353360-45X	ARM INSERT (MOTOR VENT GRILL)	X		
10	446349-451	ARM SHAFT (REAR) HOUSING MOUNTING BOLT	X		
11	446465	ARM TOP COVER SUPPORT STUD	X		
12	141925-833	ROTATING HOOK FLANGED BUSHING (ECCENTRIC) SET SCREW	X		
13	446154-451	BED CUSHION	X		
14	179943	THROAT PLATE POSITION PIN	X		
15	446358	TENSION RELEASING LEVER HINGE PIN	X		
16	446375	THREAD TAKE-UP LEVER LINK HINGE STUD	X		
17	353215	BUTTONHOLER NEEDLE POSITION CAM FOLLOWER LEVER RETAINING RING	X		
18	353623	THREAD TAKE-UP LEVER LINK HINGE STUD WITH RING	X		
19	354552-451	BED SLIDE SPRING SCREW	X		
20	44512	ROTATING HOOK BUSHING	X		
21	139943-803	ROTATING HOOK FLANGED BUSHING POSITIONING ADJUSTING SCREW	X		

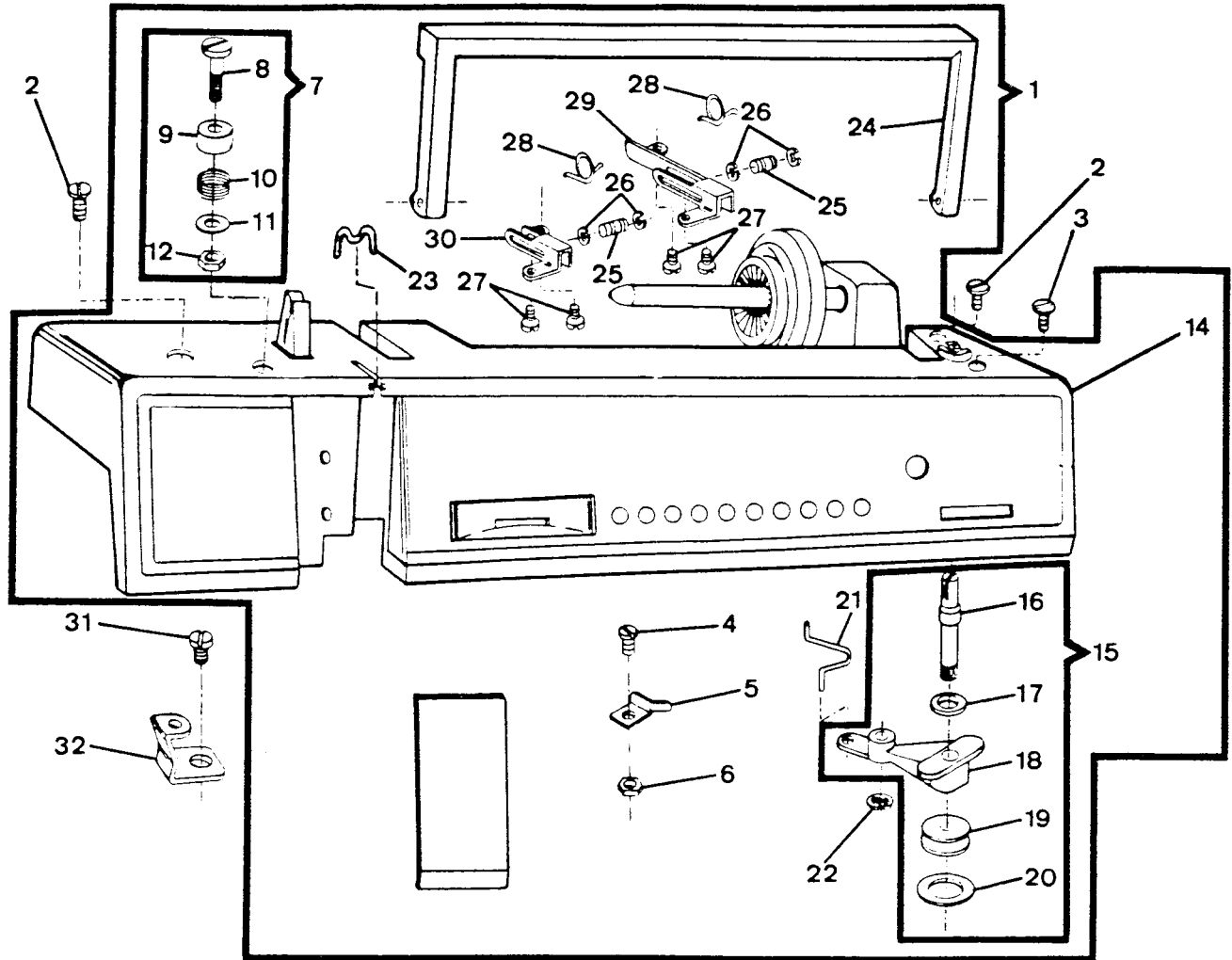
ARM, BED, THROAT PLATE & BED SLIDE (CONT.)



PART LIST
 ARM, BED, THROAT PLATE & BED SLIDE (CONT.)

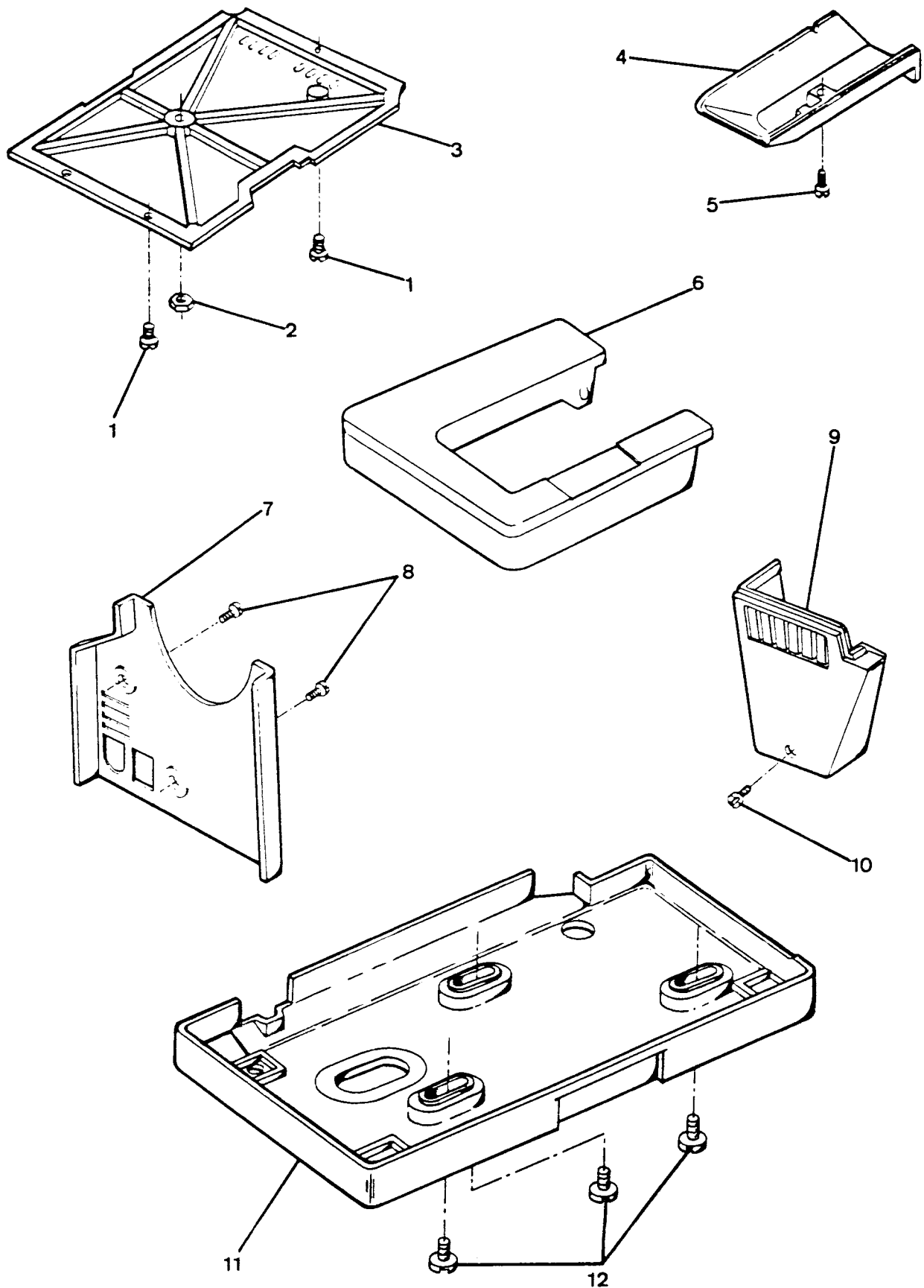
6	6	4
0	2	5
2	2	3
1	1	8

REF.	PART NBR	DESCRIPTION			
01	179926	THROAT PLATE CLAMP SPRING RETAINING RING	X	X	
02	353494	THROAT PLATE CLAMP SPRING	X	X	
03	353597	THROAT PLATE CLAMPING SPRING	X	X	
04	312777	THROAT PLATE FOR ZIG-ZAG SEWING	X	X	
05	446481	BED SLIDE	X	X	
06	446482	BED SLIDE SPRING (SNAP-ON)	X	X	
07	113455-006	ARM SHAFT (REAR) HOUSING MOUNTING SCREW	X	X	
08	446347-002	ARM SHAFT (REAR) HOUSING ASSEMBLY	X	X	
09	353360-451	ARM INSERT (MOTOR VENT GRILL)	X	X	
10	446349-451	ARM SHAFT (REAR) HOUSING MOUNTING BOLT	X	X	
11	446465	ARM TOP COVER SUPPORT STUD	X	X	
12	353410	ROTATING HOOK BUSHING	X	X	
13	353559-451	BED CUSHION	X	X	
14	353624	THROAT PLATE POSITION PIN	X	X	
15	446358	TENSION RELEASING LEVER HINGE PIN	X	X	
16	446375	THREAD TAKE-UP LEVER LINK HINGE STUD	X	X	
17	353215	THREAD TAKE-UP LEVER LINK RETAINING RING	X	X	
18	353623	THREAD TAKE-UP LEVER LINK HINGE STUD WITH RING	X	X	
19	446346-451	BED (BOTTOM) COVER & CABINET BOLT	X	X	
20	446459-452	ARM BED BOLT LOCK WASHER	X	X	
21	446345-451	ARM BED MOUNTING BOLT	X	X	



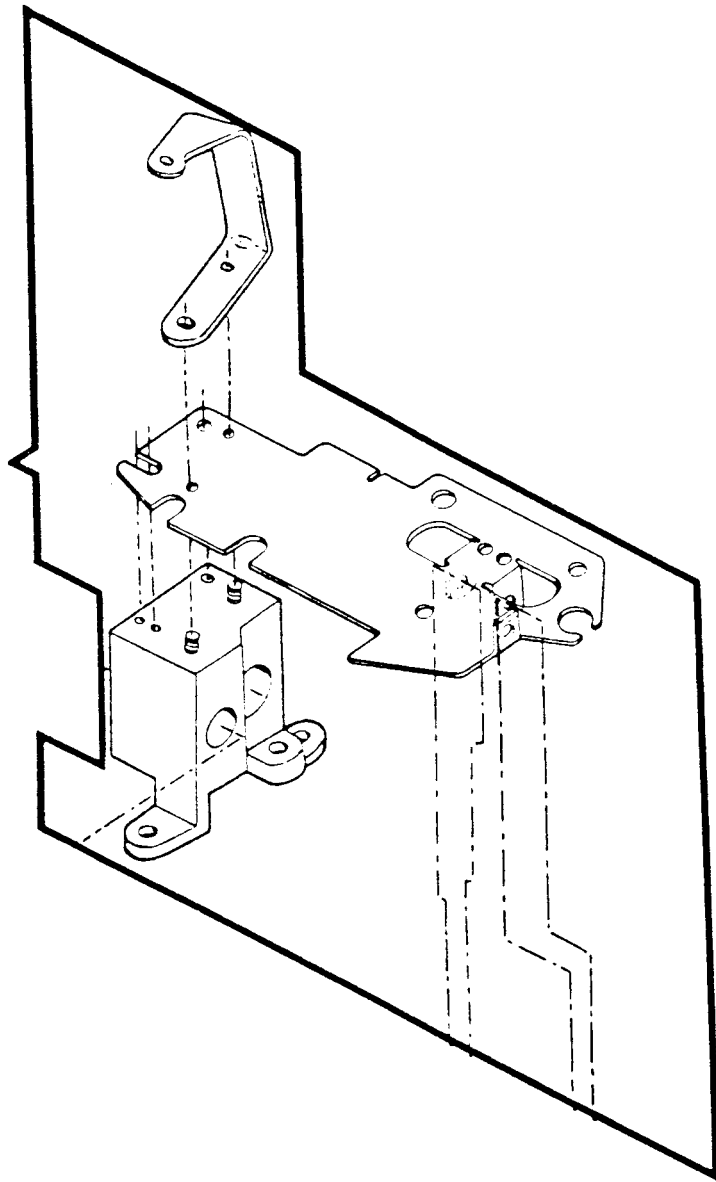
PART LIST
COVERS & ADD-ONS

REF.	PART NBR	DESCRIPTION	QUANTITIES		
			6	6	4
			0	2	5
			2	2	3
			1	1	8
01	531947-461	ARM TOP COVER COMPLETE (PETIT INTELLIGENT)		X	
01	531947-457	ARM TOP COVER COMPLETE (WITHOUT LOGO)	X	X	
01	531947-460	ARM TOP COVER COMPLETE (MERRITT 6221)			X
01	531947-458	ARM TOP COVER COMPLETE	X		
01	356205-454	ARM TOP COVER COMPLETE (MERRITT 4538)			X
01	356205-455	ARM TOP COVER COMPLETE (OPUS 8)			X
01	356205-456	ARM TOP COVER COMPLETE (WITHOUT LOGO)			X
02	354895-453	ARM TOP COVER SCREW	X	X	X
03	354975-451	ARM TOP COVER MOUN.SCREW (RIGHT, REAR & FRONT)	X	X	X
04	141920-453	BOBBIN WINDER STOP SCREW	X	X	X
05	445924	BOBBIN WINDER STOP	X	X	X
06	53640-819	BOBBIN WINDER STOP SCREW NUT	X	X	X
07	356258	BOBBIN WINDER TENSION COMPLETE	X	X	X
08	356259	BOBBIN WINDER TENSION SCREW	X	X	X
09	444772	BOBBIN WINDER TENSION PIN CAP	X	X	X
10	444773	BOBBIN WINDER TENSION SPRING	X	X	X
11	445765	BOBBIN WINDER TENSION WASHER	X	X	X
12	54591-451	BOBBIN WINDER TENSION SCREW NUT	X	X	X
13	531880-904	ARM TOP COVER TH.GUARD (SHROUDER) (FOR OPUS 8)			X
13	531880-906	ARM TOP COVER TH.GUARD (SHROUDER)(FOR USA/CAN)			X
14	531948-457	ARM TOP COVER ASSEMBLY (WITHOUT LOGO)	X	X	
14	531948-452	ARM TOP COVER ASSEMBLY	X		
14	531948-454	ARM TOP COVER ASSEMBLY (MERRITT 6221)		X	
14	356206-451	ARM TOP COVER ASSEMBLY (MERRITT 4538)			X
14	356206-452	ARM TOP COVER ASSEMBLY (OPUS 8)			X
14	356206-453	ARM TOP COVER ASSEMBLY (W/O LOGO)			X
15	531767-001	BOBBIN WINDER ASSEMBLY	X	X	X
16	531768	BOBBIN WINDER SPINDLE (SUB-ASSEMBLY)	X	X	X
17	543531	BOBBIN WINDER SPINDLE THRUST WASHER	X	X	X
18	531770-451	BOBBIN WINDER LEVER (PLASTIC)	X	X	X
19	44440-001	BOBBIN PULLEY	X	X	X
20	15287-701	BOBBIN WINDER FRICTION RING	X	X	X
21	531766	BOBBIN WINDER SPRING	X	X	X
22	445486	BOBBIN WINDER HINGE STUD RETAINING RING	X	X	X
23	445444-900	CONTROL PANEL THREAD GUIDE	X	X	X
24	531760-451	ARM TOP COVER HANDLE	X	X	X
25	531761	ARM TOP COVER HANDLE HINGE PIN	X	X	X
26	445721	ARM TOP COVER HANDLE HINGE PIN RETAINING RING	X	X	X
27	113455-001	ARM TOP COVER HANDLE MOUNTING BRACKET SCREW	X	X	X
28	531762	ARM TOP COVER HANDLE MOUNTING BRACKET SPRING	X	X	X
29	531763	ARM TOP COVER HANDLE MOUNTING BRACKET (RIGHT)	X	X	X
30	531764	ARM TOP COVER HANDLE MOUNTING BRACKET (LEFT)	X	X	X
31	354826-451	ARM TOP COVER MOUNTING BKT.(LEFT) SET SCREW	X	X	X
32	531765	ARM TOP COVER MOUNTING BRACKET (LEFT)	X	X	X
33	356178	ARM TOP COVER MOUNTING BRACKET (RIGHT) SET SCREW	X	X	X
34	113455-001	ARM TOP COVER MOUNTING BRACKET (RIGHT)	X	X	X



PART LIST
COVERS & ADD-ONS (CONT.)

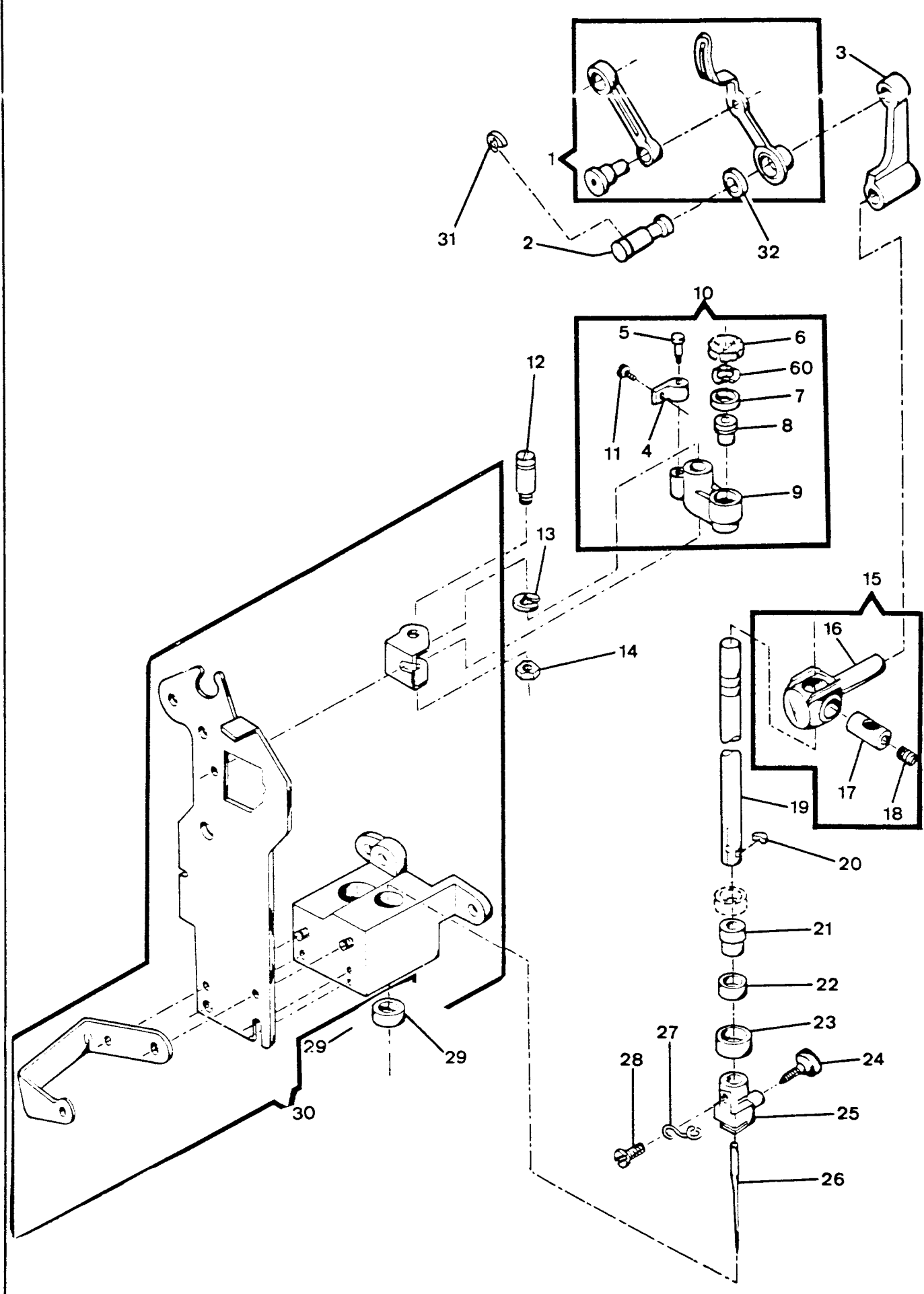
REF.	PART NBR	DESCRIPTION	6	6	4
			0	2	5
			2	2	3
			1	1	8
=====					
01	113455-001	BED (BOTTOM) COVER FASTENING SCREW		X	X
02	514608	BED (BOTTOM) COVER NUT		X	X
03	353587-451	BED (BOTTOM) COVER		X	X
04	446493-451	BED (TUBULAR) BOTTOM COVER (PLASTIC)		X	X
05	354895-453	BED (TUBULAR) BOTTOM COVER FASTENING SCREW		X	X
06	446455-451	BED EXTENSION PLATE (EXCEPT MERRITT 6221)		X	
06	531882-451	BED EXTENSION PLATE (MERRITT 6221)		X	
06	531882-451	BED EXTENSION PLATE			X
07		REFER TO CHARTS ON FOLLOWING PAGE			
08	354637-453	ARM END COVER SCREW	X	X	X
09	446452-451	FACE PLATE COMPLETE	X	X	X
09	353433-451	FACE PLATE COMPLETE WITH GRILLE (FOR EUROPE)	X	X	X
10	354133-453	FACE PLATE SCREW	X	X	X
11	531671-452	UNDER BED COVER (PLASTIC)	X		
12	354833-451	UNDER BED COVER SCREW	X		



ARM END COVER

PART NBR	INT. GROUP	INT. GROUP	EUR.	USA CAN.	AUSTR.	MIDDLE EAST	MIDDLE EAST	UK	NON. REG. EUR.	CYPRUS
531681-033	X									6021
531681-034		X								6021
531681-035			X							6021
531681-037				X						6021
446450-076	X									6221
446450-077		X								6221
446450-078					X					6221
446450-087						X				6221
446450-088							X			6221
446450-092			X							6221
446450-093				X						6221
531894-041			X							4538
531894-042								X		4538
531894-043				X						4538
531894-044					X					4538
531894-045									X	4538
531894-046	X									4538
531894-047		X								4538
531894-048										X 4538

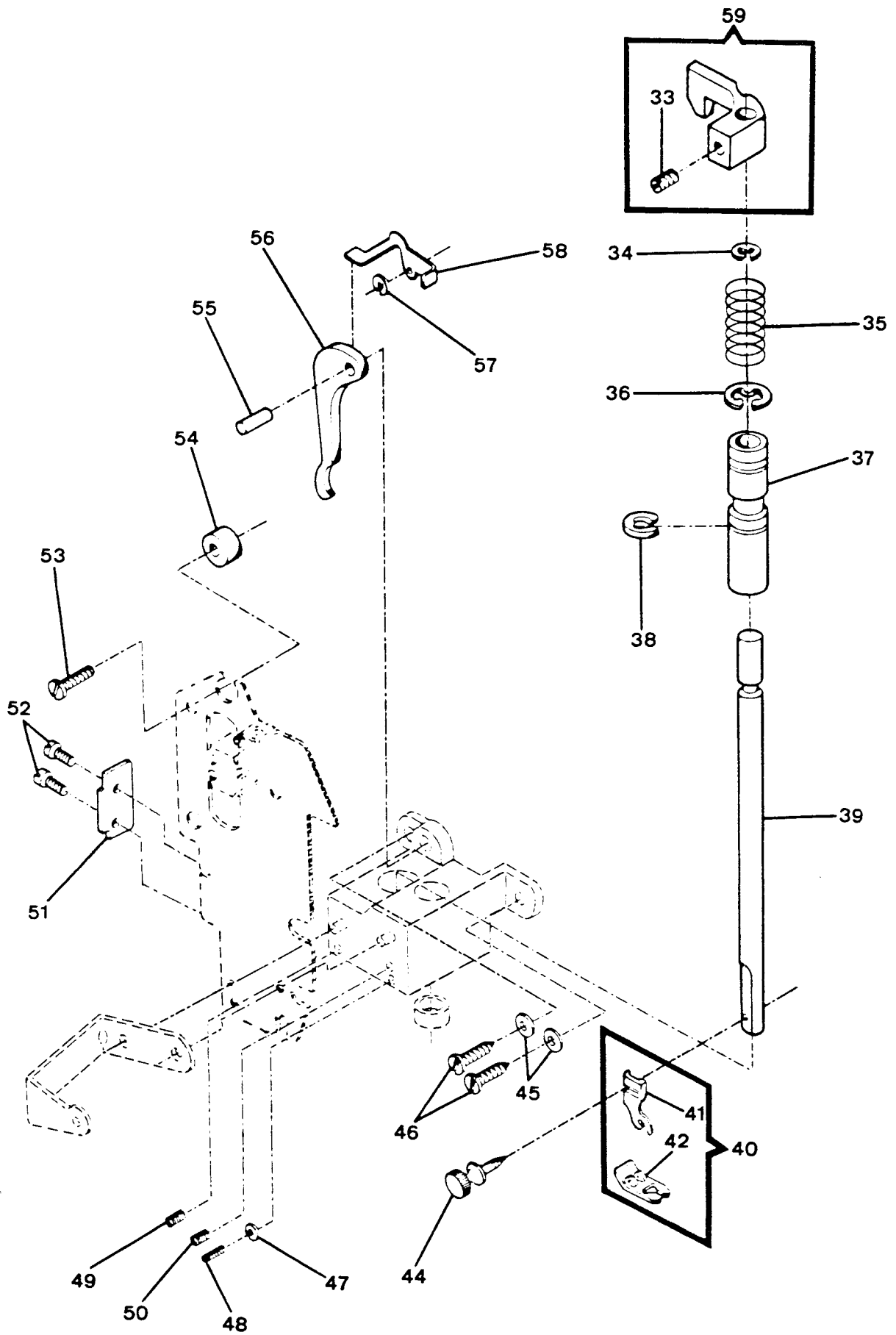
NEEDLE BAR, PRESSER BAR & TAKE-UP



PART LIST
NEEDLE BAR, PRESSER BAR & TAKE-UP

REF.	PART NBR	DESCRIPTION	6	6	4
			0	2	5
			2	2	3
			1	1	6
01	445672	THREAD TAKE-UP LEVER	X	X	X
02	446260	THREAD TAKE-UP STUD	X	X	X
03	446357	NEEDLE BAR CONNECTING LINK	X	X	X
04	446190	NEEDLE BAR DRIVING ARM HINGE BRACKET	X	X	X
05	37935	NEEDLE BAR DRIVING ARM HINGE BRACKET HINGE PIN	X	X	X
06	353522	NEEDLE BAR BALL BUSHING (UPPER) RETAINING RING	X	X	X
07	507379	NEEDLE BAR BALL BUSHING (UPPER) SOCKET	X	X	X
08	446355-001	NEEDLE BAR BALL BUSHING (UPPER)	X	X	X
09	353521	NEEDLE BAR VIBRATING BRACKET	X	X	X
10	353520	NEEDLE BAR VIBRATING BRACKET COMPLETE	X	X	X
11	141844-819	NEEDLE BAR DRIVING ARM HINGE BRACKET SCREW	X	X	X
12	446359	NEEDLE BAR VIBRATING BRACKET HINGE PIN	X	X	X
13	445721	NEEDLE BAR VIBRATING BRACKET HINGE PIN RETAINING RING	X	X	X
14	353402-451	NEEDLE BAR VIBRATING BRACKET HINGE PIN NUT	X	X	X
15	353549-940	NEEDLE BAR CONNECTING STUD WITH HINGE PIN	X	X	X
16	353549	NEEDLE BAR CONNECTING STUD	X	X	X
17	37931	NEEDLE BAR CONNECTING STUD HINGE PIN	X	X	X
18	141916-833	NEEDLE BAR CLAMP SCREW	X	X	X
19	445793	NEEDLE BAR	X	X	X
20	37943	NEEDLE BAR GIB	X	X	X
21	446355-001	NEEDLE BAR BALL BUSHING (LOWER)	X	X	X
22	507379	NEEDLE BAR BALL BUSHING (LOWER) SOCKET	X	X	X
23	446361	NEEDLE BAR BALL BUSHING (LOWER) ADJUSTING COLLAR	X	X	X
24	113413-451	NEEDLE THUMB SCREW	X	X	X
25	353630	NEEDLE CLAMP BODY	X	X	X
26	204514-100	NEEDLE 2045 SIZE NBR 14	X	X	X
27	353629	NEEDLE CLAMP THREAD GUIDE	X	X	X
28	141808-451	NEEDLE CLAMP BODY, NEEDLE CLAMP THREAD GUIDE & NEEDLE STOP SCREW	X	X	X
29	44450	NEEDLE BAR BALL BUSHING (LOWER) SOCKET (UPPER)	X	X	X
30	356599	NEEDLE BAR, PRESSER BAR & VIBRATING BRACKET HOUSING ASSEMBLY	X	X	X
31	445486	THREAD TAKE-UP STUD RETAINING RING	X	X	X
32	543531	THREAD TAKE-UP STUD THRUST WASHER	X	X	X

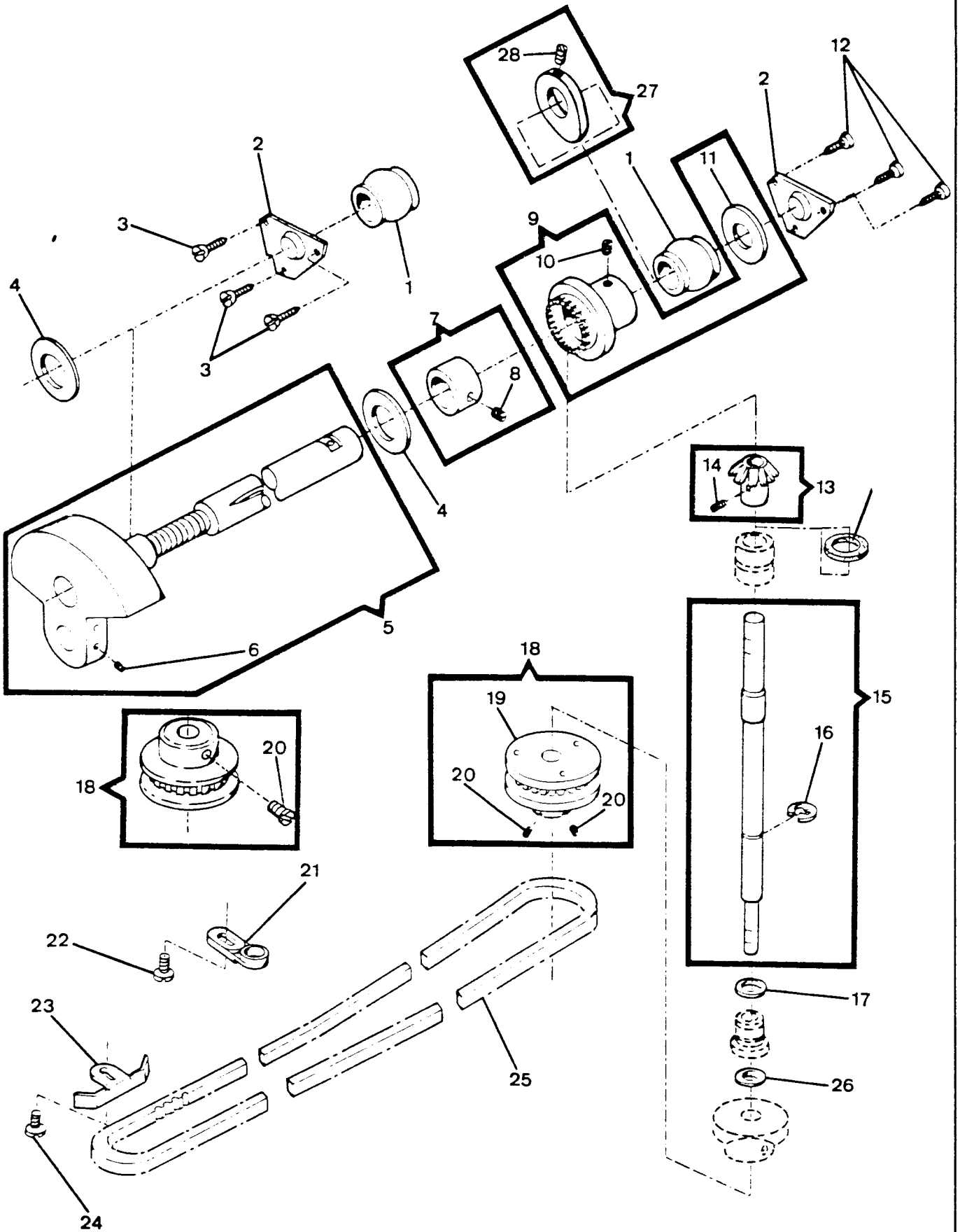
NEEDLE BAR, PRESSER BAR & TAKE-UP (CONT.)



PART LIST
NEEDLE BAR, PRESSER BAR & TAKE-UP (CONT.)

REF.	PART NBR	DESCRIPTION	6	6	4
			0	2	5
			2	2	3
			1	1	8
33	141925-833	PRESSER BAR GUIDE BRACKET SET SCREW	X	X	X
34	353215	ARM SHAFT (UPRIGHT) RETAINING RING	X	X	X
35	353214	PRESSER BAR SPRING	X	X	X
36	353252	PRESSER BAR BUSHING LOCATING RING	X	X	X
37	445947-001	PRESSER BAR BUSHING	X	X	X
38	353252	PRESSER BAR BUSHING LOCATING RING	X	X	X
39	314638	PRESSER BAR	X	X	X
40	446372	PRESSER FOOT (SNAP-ON) COMPLETE FOR ZIG-ZAG SEWING	X	X	X
41	155964	PRESSER FOOT SHANK (SNAP-ON)	X	X	X
42	446371	PRESSER FOOT PLATE (SNAP-ON) FOR ZIG-ZAG SEWING	X	X	X
44	354135-452	PRESSER FOOT THUMB SCREW	X	X	X
45	353375-451	NEEDLE BAR, PRESSER BAR & VIBRATING BRACKET HOUSING MOUNTING SCREW (LOWER) WASHER	X	X	X
46	113434-451	NEEDLE BAR, PRESSER BAR & VIBRATING BRACKET HOUSING MOUNTING SCREW (LOWER)	X	X	X
47	54591-451	NEEDLE BAR OVER THROW SET SCREW NUT	X	X	X
48	354993-451	NEEDLE BAR OVER THROW SET SCREW	X	X	X
49	354906-451	NEEDLE BAR BALL BUSHING (LOWER) ADJUSTING COLLAR SET SCREW	X	X	X
50	141803-830	PRESSER BAR BUSHING SET SCREW	X	X	X
51	446353	PRESSER BAR GUIDE BRACKET POSITIONER	X	X	X
52	141913-451	PRESSER BAR GUIDE BRACKET POSITIONER SCREW	X	X	X
53	113455-004	NEEDLE BAR & PRESSER BAR VIBRATING BRACKET HOUSING MOUNTING SCREW (UPPER)	X	X	X
54	531627	NEEDLE BAR, PRESSER BAR & VIBRATING BRACKET HOUSING MOUNTING BUSHING	X	X	X
55	446354-451	PRESSER BAR LIFTER HINGE PIN	X	X	X
56	446356	PRESSER BAR LIFTER	X	X	X
57	445486	TENSION RELEASING LEVER RETAINING RING	X	X	X
58	445925	TENSION RELEASING LEVER	X	X	X
59	353212	PRESSER BAR GUIDE BRACKET ASSEMBLY	X	X	X
60	353424	NEEDLE BAR BALL BUSHING (UPPER) FRICTION WASHER	X	X	X

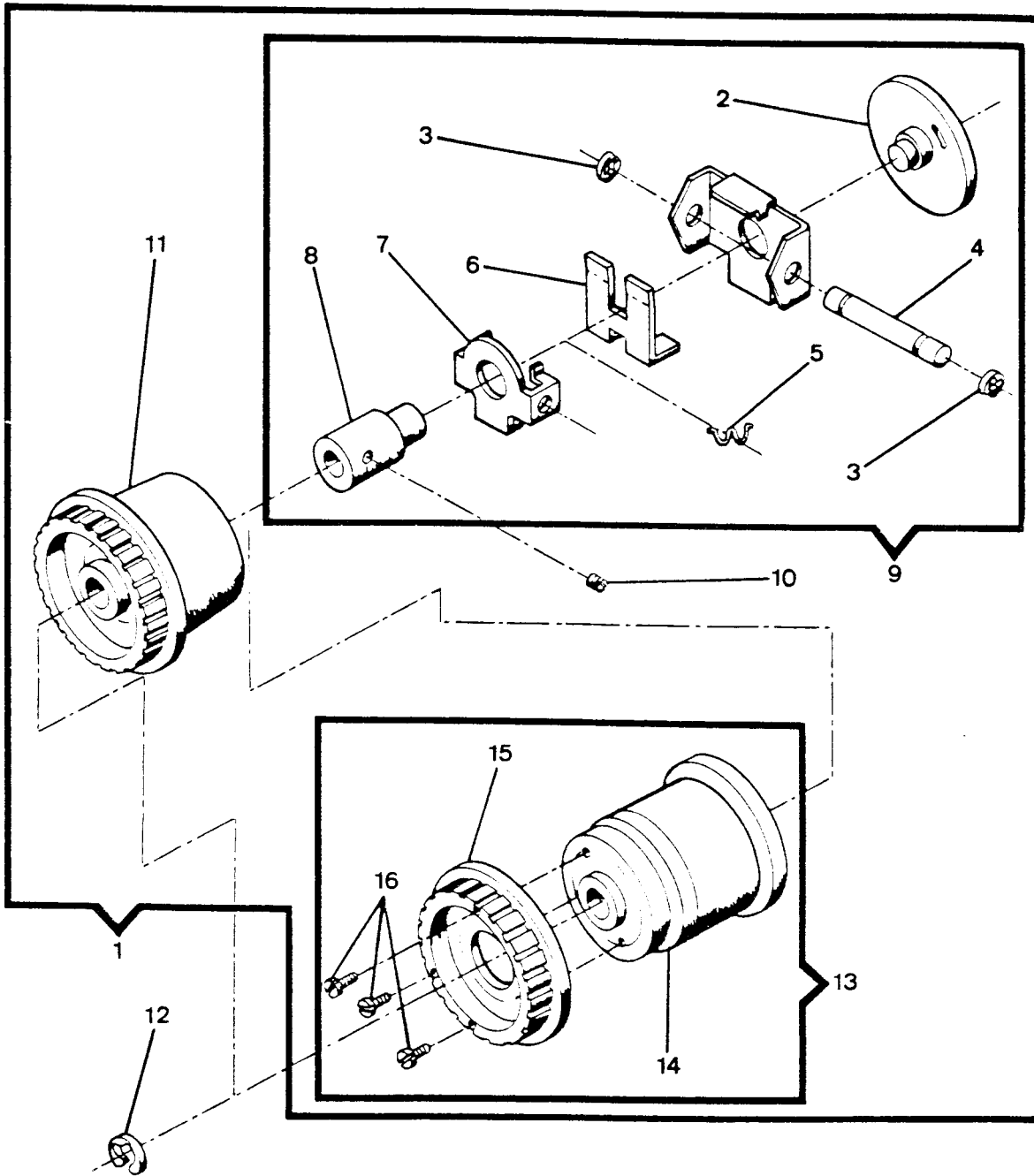
ARM SHAFT DRIVE



PART LIST
ARM SHAFT DRIVE

REF.	PART NBR	DESCRIPTION	6	6	4
			0	2	5
			2	2	3
			1	1	8
01	446384	ARM SHAFT BUSHING (FRONT)	X	X	X
02	446385	ARM SHAFT BUSHING (FRONT) RETAINING BRACKET	X	X	X
03	113455-001	ARM SHAFT BUSHING (FRONT) RET.BRACKET SCREW	X	X	X
04	319764	ARM SHAFT (HORIZONTAL) RETAINING COLLAR WASHER	X	X	X
05	531684	ARM SHAFT COMPLETE		X	X
05	531942	ARM SHAFT COMPLETE	X		
06	354105-833	NEEDLE BAR (UPRIGHT) BEVEL GEAR SET SCREW	X	X	X
07	353580	ARM SHAFT (HORIZONTAL) RETAINING COLLAR ASSEMBLY	X	X	X
08	113500-451	ARM SHAFT (HORIZONTAL) RET.COLLAR SET SCREW	X	X	X
09	353272	ARM SHAFT (HORIZONTAL) BEVEL GEAR & FEED LIFTING ECCENTRIC COMPLETE		X	X
09	319695	ARM SHAFT (HORIZONTAL) BEVEL GEAR & FEED LIFTING ECCENTRIC COMPLETE	X		
10	354813-451	ARM SHAFT (HORIZONTAL) BEVEL GEAR & FEED LIFTING ECCENTRIC SET SCREW	X	X	X
11	353413	ARM SHAFT (HORIZONTAL) BEVEL GEAR & FEED ECCENTRIC WASHER (PLASTIC)		X	X
11	37284-001	ARM SHAFT (HORIZONTAL) BEVEL GEAR & FEED ECCENTRIC WASHER (PLASTIC)	X		
12	113455-001	ARM SHAFT BUSHING (REAR) RET.BRACKET SCREW	X	X	X
13	353273	ARM SHAFT (UPRIGHT) BEVEL GEAR (PLASTIC) COMPLETE		X	X
13	531658	ARM SHAFT (UPRIGHT) BEVEL GEAR (PLASTIC) COMPLETE	X		
14	354105-833	NEEDLE BAR CRANK POSITION SET SCREW	X	X	X
15	179952	ARM SHAFT (UPRIGHT) ASSEMBLY		X	X
15	531659	ARM SHAFT (UPRIGHT) ASSEMBLY	X		
16	353215	ARM SHAFT (UPRIGHT) RETAINING RING	X	X	X
17	353394	ARM SHAFT (UPRIGHT) RETAINING RING WASHER	X	X	X
18	353438-001	ARM SHAFT (UPRIGHT) BELT DRIVE PULLEY ASSEMBLY COMPLETE		X	X
18	445543	ARM SHAFT (UPRIGHT) BELT DRIVE PULLEY ASSEMBLY COMPLETE	X		
19	446230	ARM SHAFT (UPRIGHT) BELT DRIVE PULLEY		X	X
20	113518-451	ARM SHAFT (UPRIGHT) BELT DRIVE PULLEY RETAINING COLLAR SET SCREW		X	X
20	354906-451	ARM SHAFT (UPRIGHT) BELT DRIVE PULLEY RETAINING COLLAR SET SCREW	X		
21	531630	ROTATING HOOK DRIVE BELT TENSION ADJUSTER	X	X	X
22	113453-003	ROTATING HOOK DRIVE BELT TENSION SCREW		X	X
22	354316-451	ROTATING HOOK DRIVE BELT TENSION SCREW	X		
23	446376	BELT RETAINER (LEFT)		X	X
24	113455-001	BELT RETAINER (LEFT) SCREW		X	X
25	446237	BELT (ROTATING HOOK DRIVE)		X	X
25	37977	BELT (ROTATING HOOK DRIVE)	X		
26	319826	ARM SHAFT (UPRIGHT) BELT DRIVE PULLEY WASHER		X	X
27	179993	FEED CAM COMPLETE	X		
28	354813-451	FEED CAM SET SCREW	X		
29	356819	ARM SHAFT (UPRIGHT) FELT WASHER	X		

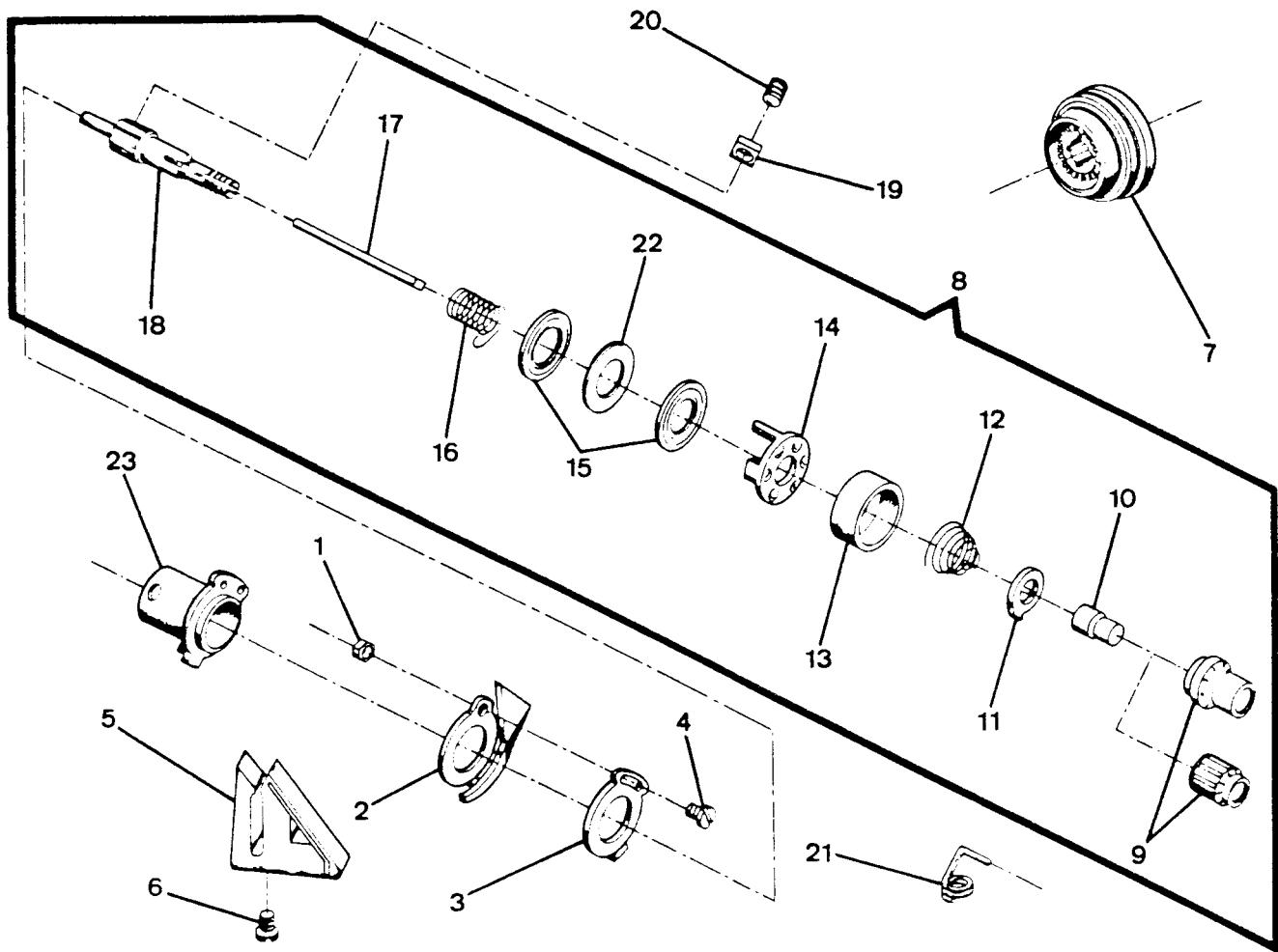
HAND WHEEL



PART LIST
HAND WHEEL

REF.	PART NBR	DESCRIPTION	6	6	4
			0	2	5
			2	2	3
			1	1	8
01	446391-451	HAND WHEEL (PLASTIC) COMPLETE	X	X	X
01	446460-451	HAND WHEEL (CAST IRON) COMPLETE (ALTERNATE) FOR TREADLE/ELECTRIC	X	X	X
02	446297	HAND WHEEL DISENGAGING CLUTCH ENGAGING PLATE COVER	X	X	X
03	445721	HAND WHEEL DISENGAGING CLUTCH ENGAGING PLATE HINGE PIN RETAINING RING	X	X	X
04	319560	HAND WHEEL DISENGAGING CLUTCH ENGAGING PLATE HINGE PIN	X	X	X
05	531628	HAND WHEEL DISENGAGING CLUTCH ACTUATING SPRING	X	X	X
06	319567	HAND WHEEL DISENGAGING CLUTCH BUSHING PLATE RETAINING	X	X	X
07	319566	HAND WHEEL DISENGAGING CLUTCH BUSHING PLATE	X	X	X
08	446390	HAND WHEEL DISENGAGING CLUTCH BUSHING	X	X	X
09	446343	HAND WHEEL DISENGAGING CLUTCH BUSHING COMPLETE	X	X	X
10	354813-451	HAND WHEEL DISENGAGING CLUTCH BUSHING SCREW	X	X	X
11	446386-451	HAND WHEEL (PLASTIC) (ELECTRIC)	X	X	X
12	446387	HAND WHEEL DISENGAGING CLUTCH BUSHING RETAINING RING	X	X	X
13	179894-451	HAND WHEEL (CAST IRON) ASSEMBLY (TREADLE/ ELECTRIC)	X	X	X
14	179896-451	HAND WHEEL (CAST IRON) DISENGAGING CLUTCH ASSEMBLY	X	X	X
15	179895	HAND WHEEL (TREADLE/ELECTRIC) SPROCKET (PLASTIC)	X	X	X
16	354656-451	HAND WHEEL (THEADLE/ELECTRIC) SPROCKET SCREW	X	X	X

TENSION ASSEMBLY



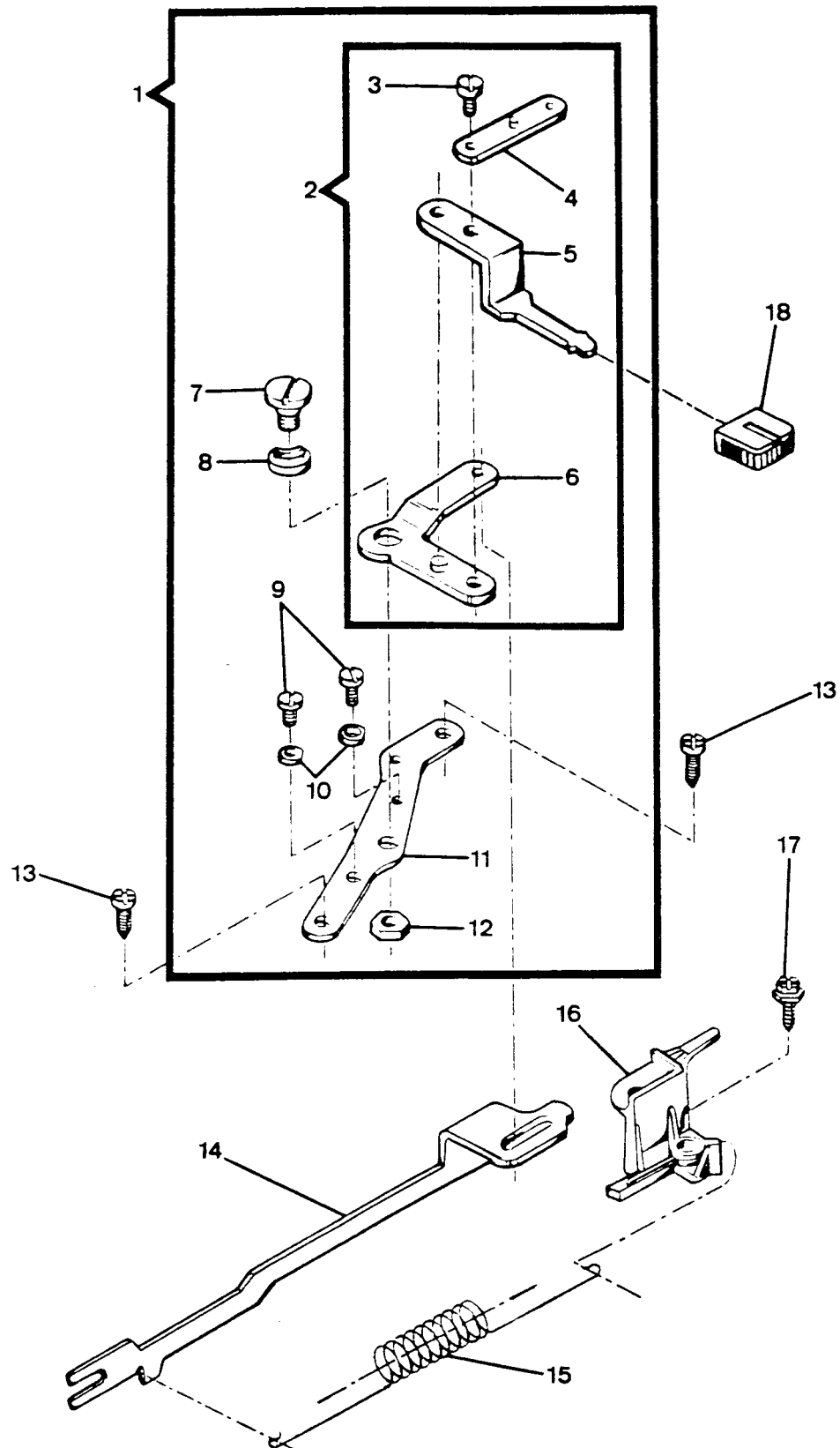
PART LIST
TENSION ASSEMBLY

REF.	PART NBR	DESCRIPTION	6	6	4
			0	2	5
			2	2	3
			1	1	8
01	514698-451	SLACK THREAD REGULATOR & TENSION THREAD GUIDE SCREW NUT	X	X	X
02	531888-900	THREAD GUIDE (UPPER)			X
02	446440	THREAD GUIDE (UPPER)	X	X	
03	531887	SLACK THREAD REGULATOR & TENSION THREAD GUIDE			X
03	179936-451	SLACK THREAD REGULATOR & TENSION THREAD GUIDE	X	X	
04	141808-451	SLACK THREAD REGULATOR & TENSION THREAD GUIDE SCREW	X	X	
04	355236-451	SLACK THREAD REGULATOR & TENSION THREAD GUIDE SCREW			X
05	313563-451	ARM TOP COVER THREAD GUIDE	X	X	X
06	354810-451	ARM TOP COVER THREAD GUIDE SCREW	X	X	X
07	179967-451	ARM TOP COVER SPOOL PIN THREAD LEAD-OFF	X	X	X
08	531883-451	TENSION MOUNTING BRACKET COMPLETE			X
08	353583-451	TENSION MOUNTING BRACKET COMPLETE	X	X	
09	531885-451	TENSION INDICATOR DIAL			X
09	445054-030	TENSION INDICATOR DIAL	X	X	
10	446126	TENSION INDICATOR ADAPTER	X	X	X
11	37984	TENSION INDICATOR STOP WASHER	X	X	X
12	125314	TENSION SPRING	X	X	X
13	531886-451	TENSION SPRING CAP			X
13	44879-478	TENSION SPRING CAP	X	X	
14	45343	THREAD TAKE-UP SPRING THREAD GUARD	X	X	
14	531884	THREAD TAKE-UP SPRING THREAD GUARD			X
15	2102-001	TENSION DISC	X	X	X
16	66774-002	THREAD TAKE-UP SPRING	X	X	X
17	353578	TENSION RELEASING PIN	X	X	X
18	44454	TENSION STUD	X	X	X
19	353367-451	TENSION STUD SET SCREW	X	X	X
20	141803-830	TENSION SCREW	X	X	X
21	445784	TENSION GUIDE (LOWER)	X	X	X
22	44633	TENSION DISC (MIDDLE)	X	X	X
23	356226-452	BEEHIVE TENSION ADAPTOR	X	X	X

PART LIST
HOOK SYSTEM

REF.	PART NBR	DESCRIPTION	6	6	4
			0	2	5
			2	2	3
			1	1	8
01	172336	ROTATING HOOK BOBBIN (PLASTIC)	X	X	X
02	310884-451	ROTATING HOOK BOBBIN CASE TENSION SPRING SEGMENT	X	X	X
03	314715	ROTATING HOOK BOBBIN CASE TENSION SPRING	X	X	X
04	354183-452	ROTATING HOOK BOBBIN CASE TENSION REGULATING SCREW	X	X	X
05	139975-452	ROTATING HOOK BOBBIN CASE TENSION SPRING SEGMENT SCREW	X	X	X
06	421325	ROTATING HOOK BOBBIN CASE	X	X	X
07	353511	ROTATING HOOK BOBBIN CASE RETAINING PLATE	X	X	X
08	445808	ROTATING HOOK BOBBIN CASE RETAINING PLATE STUD WASHER	X	X	X
09	44892	ROTATING HOOK BOBBIN CASE RETAINING PLATE STUD SPRING	X	X	X
10	353509	ROTATING HOOK BOBBIN CASE RETAINING PLATE RETAINING RING	X	X	X
11	446235	ROTATING HOOK BELT DRIVE PULLEY		X	X
12	141803-830	ROTATING HOOK BELT DRIVE PULLEY SCREW		X	X
13	382861-906	ROTATING HOOK BELT DRIVE PULLEY WASHER		X	X
14	353453	ROTATING HOOK WEAR WASHER		X	X
15	353366	ROTATING HOOK COMPLETE		X	X
15	531682	ROTATING HOOK COMPLETE	X		
16	113430-451	ROTATING HOOK BOBBIN CASE POSITION PLATE SCREW		X	X
16	354917-451	ROTATING HOOK BOBBIN CASE POSITION PLATE SCREW	X		
17	113430-451	ROTATING HOOK BOBBIN CASE RETAINING PLATE SCREW		X	X
17	354917-451	ROTATING HOOK BOBBIN CASE RETAINING PLATE SCREW	X		
18	44873-001	ROTATING HOOK BOBBIN CASE POSITION PLATE	X	X	X
19	445559	ROTATING HOOK BELT DRIVE PULLEY COMPLETE	X		
20	354906-451	ROTATING HOOK BELT DRIVE PULLEY FLANGE SET SCREW	X		
21	353410-900	ROTATING HOOK BUSHING	X	X	X
22	141938-833	ROTATING HOOK BUSHING SET SCREW	X	X	X
23	353367-451	ROTATING HOOK BUSHING SET SCREW NUT	X	X	X
24	544117	ROTATING HOOK BUSHING ADJUSTING SCREW	X	X	X
25	618638-004	ROTATING HOOK BUSHING ADJUSTING SCREW NUT	X	X	X

EIGHT AMPLITUDE

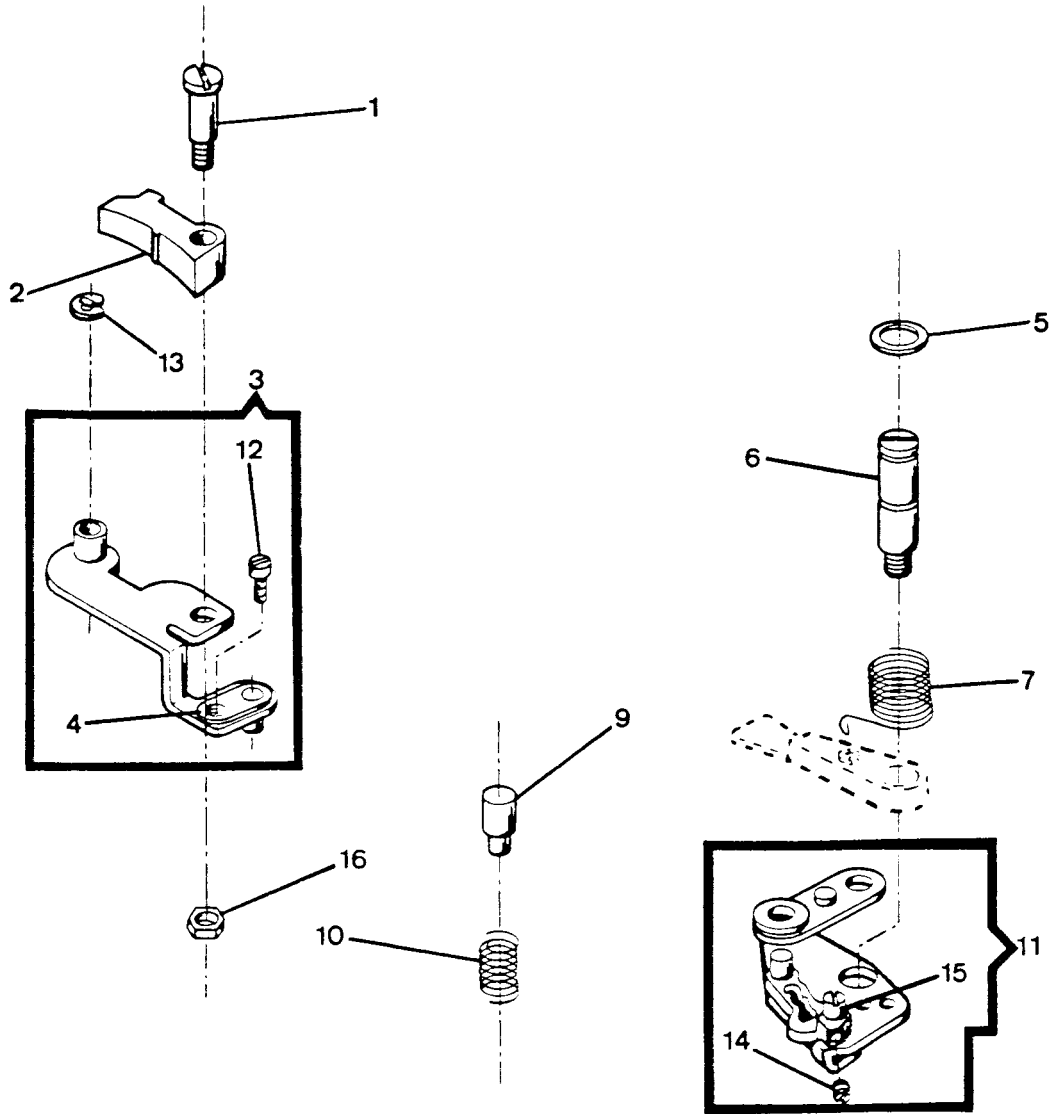


PART LIST
BIGHT AMPLITUDE

6 6 4
0 2 5
2 2 3
1 1 8

REF.	PART NBR	DESCRIPTION			
01	179893	BIGHT AMPLITUDE CONTROL LEVER MOUNTING BRACKET COMPLETE	X	X	X
02	446342	BIGHT AMPLITUDE CONTROL LEVER SUB-ASSEMBLY	X	X	X
03	139866-451	BIGHT AMPLITUDE CONTROL LEVER SCREW	X	X	X
04	44556	BUTTONHOLER BIGHT CONTROL CAM FOLLOWER LEVER LINK (LEFT)	X	X	X
05	446394	BIGHT AMPLITUDE CONTROL LEVER	X	X	X
06	37246	BIGHT AMPLITUDE CONTROL LEVER LINK ASSEMBLY	X	X	X
07	354825-451	BIGHT AMPLITUDE CONTROL LEVER LINK HINGE SCREW	X	X	X
08	49204	BIGHT AMPLITUDE CONTROL LEVER LINK HINGE SCREW FRICTION WASHER	X	X	X
09	141913-451	BIGHT AMPLITUDE CONTROL LEVER LINK STOP SCREW	X	X	X
10	446904	BIGHT AMPLITUDE CONTROL LEVER LINK STOP	X	X	X
11	531793	BIGHT AMPLITUDE REGULATING BRACKET	X	X	X
12	54591-451	BIGHT AMPLITUDE REGULATING BRACKET SCREW NUT	X	X	X
13	113455-001	BIGHT AMPLITUDE CONTROL LEVER MOUNTING BRACKET SCREW	X	X	X
14	37933-001	NEEDLE BAR DRIVING ARM	X	X	X
15	37942	NEEDLE BAR DRIVING ARM TENSION SPRING	X	X	X
16	445780	LIGHT LEAD SHIELD & NEEDLE BAR DRIVING ARM TENSION SPRING MOUNTING PLATE	X	X	X
17	113455-004	LIGHT LEAD SHIELD & NEEDLE BAR DRIVING ARM TENSION SPRING MOUNTING PLATE SCREW	X	X	X
18	446398-453	BIGHT AMPLITUDE CONTROL LEVER KNOB (PLASTIC) (DARK GRAY)			X
18	446398-455	BIGHT AMPLITUDE CONTROL LEVER KNOB (PLASTIC) (BLACK)	X	X	
18	446398-454	BIGHT AMPLITUDE CONTROL LEVER KNOB (PLASTIC) (LIGHT BUFF) (ALTERNATE)			X

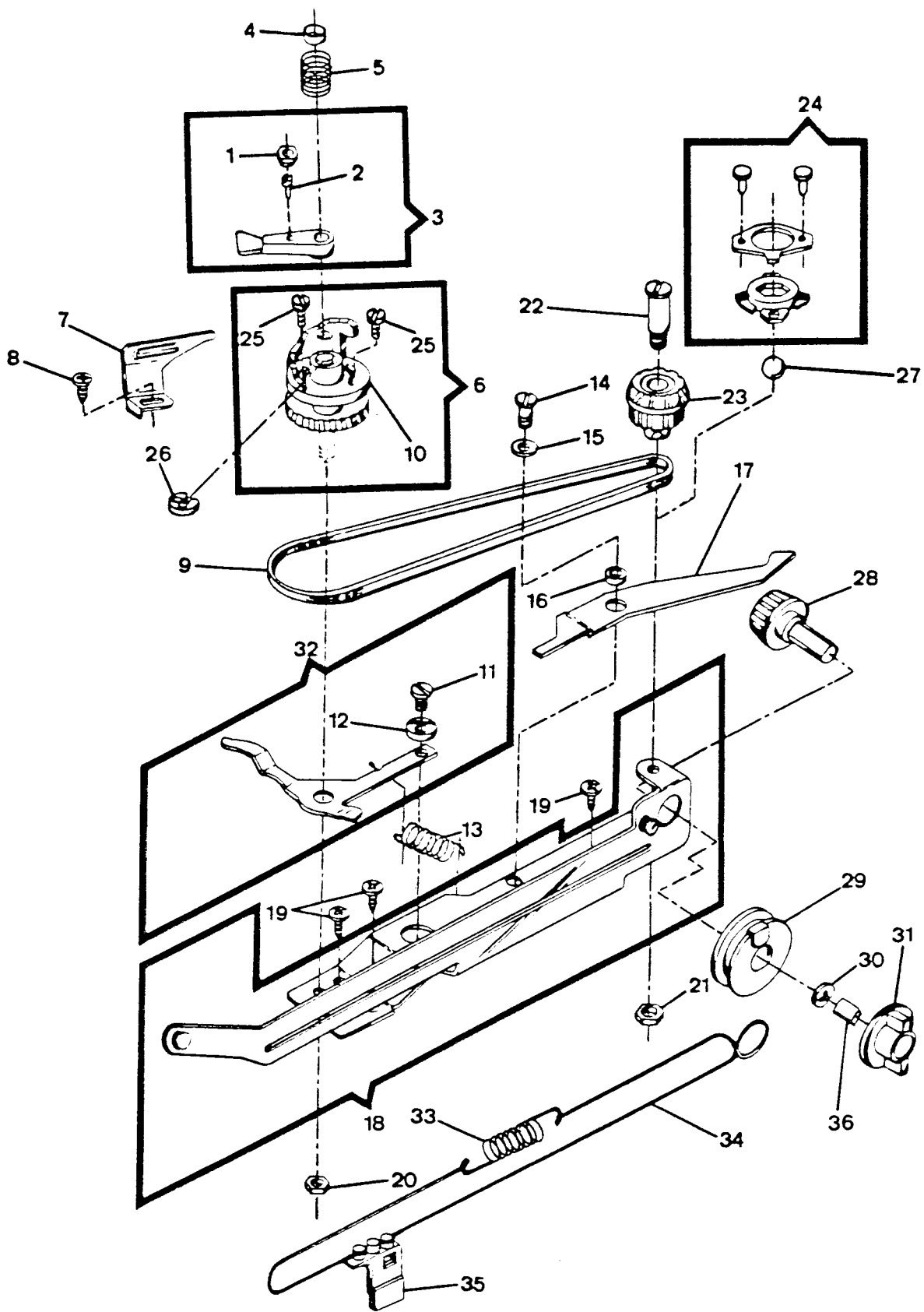
NEEDLE POSITION



PART LIST
NEEDLE POSITION

REF.	PART NBR	DESCRIPTION	6	6	4
			0	2	5
			2	2	3
			1	1	8
01	355241-451	NEEDLE BAR DRIVING ARM SLIDE SCREW	X	X	X
02	531740	NEEDLE BAR DRIVING ARM SLIDE	X	X	X
03	531733	NEEDLE BAR DRIVING ARM SLIDE BRACKET COMPLETE	X	X	X
04	531736	NEEDLE POSITION SELECTOR BRACKET FOLLOWER STUD ARM ASSEMBLY	X	X	X
05	353548	DISC FOLLOWER STUD WASHER	X	X	X
06	531706	DISC FOLLOWER STUD	X	X	X
07	531704	DISC FOLLOWER SPRING	X	X	X
09	319690	NEEDLE POSITION SELECTOR LEVER BRACKET POSITIONING PIN	X	X	X
10	444800	NEEDLE POSITION SELECTOR LEVER BRACKET POSITIONING PIN SPRING	X	X	X
11	531707	NEEDLE POSITION SELECTOR LEVER BRACKET COMPLETE	X	X	X
12	141913-451	NEEDLE POSITION SELECTOR BRACKET FOLLOWER STUD ARM SET SCREW	X	X	X
13	445721	NEEDLE BAR DRIVING ARM SLIDE BRACKET RETAINING RING	X	X	X
14	141920-452	NEEDLE POSITION SELECTOR CAM & FOLLOWER STUD SET SCREW	X	X	X
15	531708	NEEDLE POSITION SELECTOR CAM & FOLLOWER STUD (ECCENTRIC)	X	X	X
16	618638-005	NEEDLE BAR DRIVING ARM SLIDE SCREW LOCK NUT	X	X	X

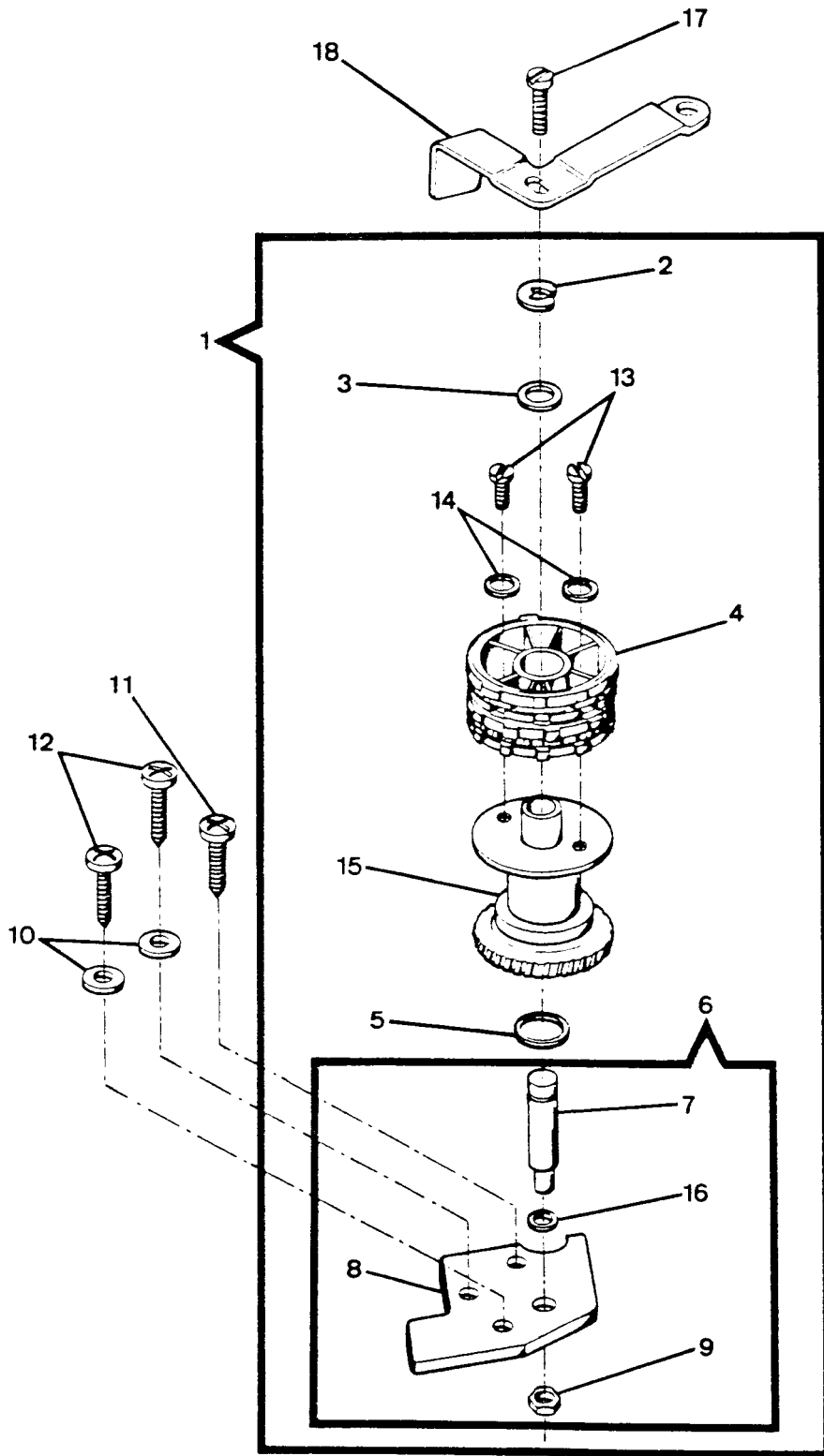
FISC SELECTION ASSEMBLY



PART LIST
DISC SELECTION ASSEMBLY

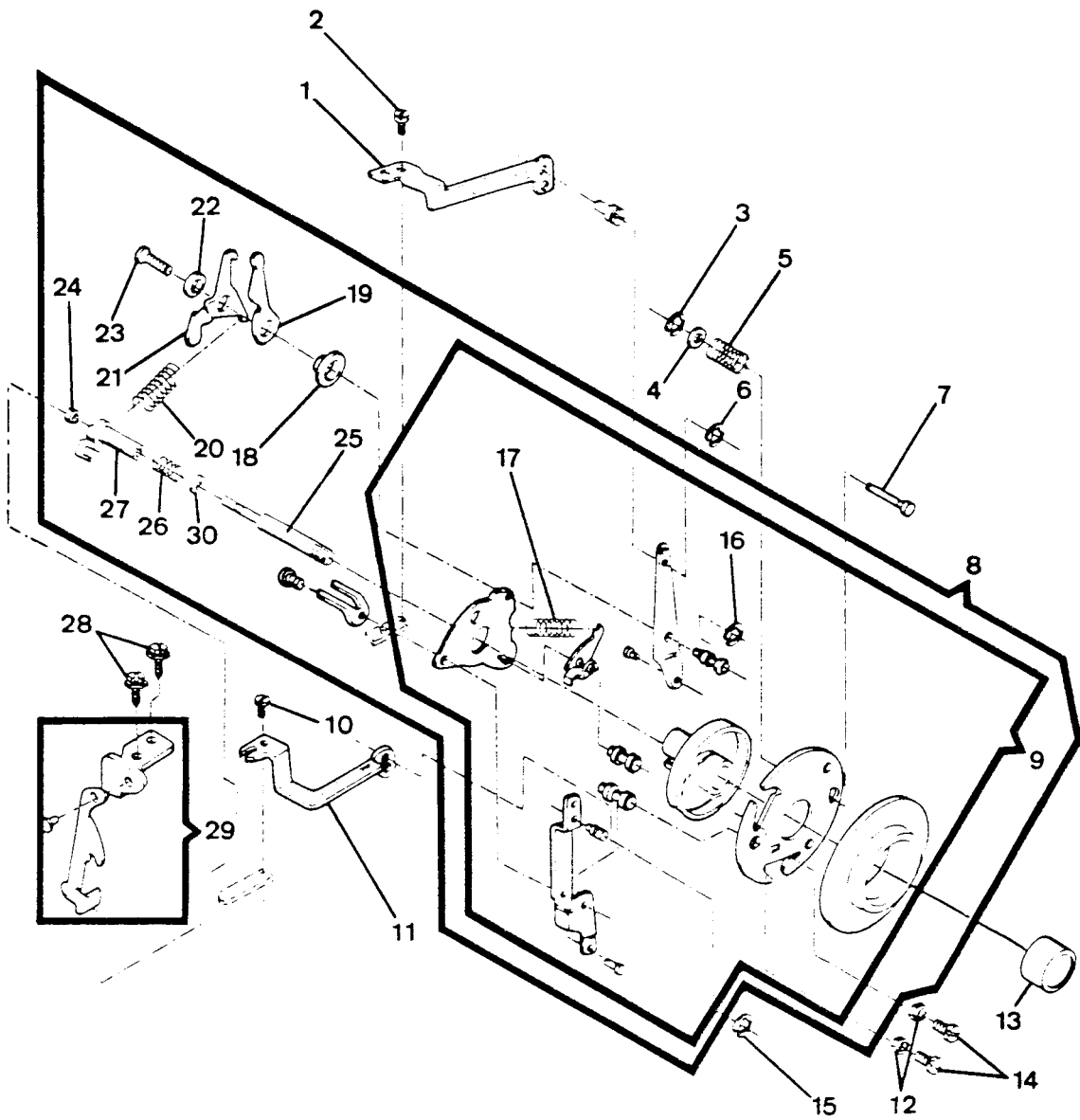
REF.	PART NBR	DESCRIPTION	6	6	4
			0	2	5
			2	2	3
			1	1	8
01	531699-451	DISC FOLLOWER ADJUSTING SCREW STUD NUT	X	X	X
02	445341	DISC FOLLOWER ADJUSTING SCREW STUD	X	X	X
03	531697	DISC FOLLOWER ASSEMBLY	X	X	X
04	353548	KICK OUT LEVER CAM PIN RETAINING RING	X	X	X
05	531704	DISC FOLLOWER SPRING	X	X	X
06	531700	PATTERN SELECTOR CAM SLIDE	X	X	X
07	531910	PATTERN SELECTOR CAM STOP	X	X	X
08	113455-001	PATTERN SELECTOR CAM STOP SCREW	X	X	X
09	531726-001	DISC SELECTOR MECHANISM BELT	X	X	X
10	531701	DISC SELECTOR CAM	X	X	X
11	141920-452	DISC FOLLOWER DISENGAGING LEVER ECCENTRIC SCREW	X	X	X
12	444866	DISC FOLLOWER DISENGAGING LEVER ECCENTRIC	X	X	X
13	531705	DISC FOLLOWER DISENGAGING LEVER SPRING	X	X	X
14	113430-451	DISC FOLLOWER DISENGAGING LEVER SCREW	X	X	X
15	445765	DISC FOLLOWER DISENGAGING LEVER SCREW WASHER	X	X	X
16	531724	DISC FOLLOWER DISENGAGING LEVER HINGE COLLAR	X	X	X
17	531723	DISC FOLLOWER DISENGAGING LEVER (RIGHT)	X	X	X
18	531691	PATTERN SELECTOR MOUNTING PLATE ASSEMBLY	X	X	X
19	113455-001	PATTERN SELECTOR MOUNTING PLATE SCREW	X	X	X
20	54591-451	DISC FOLLOWER STUD NUT	X	X	X
21	618638-004	PATTERN SELECTOR GEAR & PULLEY SCREW NUT	X	X	X
22	531729-451	PATTERN SELECTOR GEAR & PULLEY SCREW	X	X	X
23	531727	PATTERN SELECTOR GEAR & PULLEY	X	X	X
24	356133	KICK OUT LEVER CAM COMPLETE	X	X	X
25	531703-451	PATTERN SELECTOR CAM PULLEY SCREW	X	X	X
26	445486	DISC SELECTOR CAM RETAINING RING	X	X	X
27	356169	KICK OUT LEVER CAM SPHERE	X	X	X
28	531717	PATTERN SELECTOR KNOB PIN & GEAR	X	X	X
29	531719	PATTERN SELECTOR PULLEY	X	X	X
30	546623	PATTERN SELECTOR PULLEY RETAINING RING	X	X	X
31	531730-454	PATTERN SELECTOR KNOB ASSEMBLY (BLACK)	X	X	
31	531730-455	PATTERN SELECTOR KNOB ASSEMBLY (DARK GRAY)			X
31	531730-456	PATTERN SELECTOR KNOB ASSEMBLY (LIGHT BUFF)			X
32	531695	DISC FOLLOWER DISENGAGING LEVER ASSEMBLY	X	X	X
33	531721	PATTERN SELECTOR INDICATOR DRIVING CORD TENSION SPRING	X	X	X
34	531720	PATTERN SELECTOR INDICATOR DRIVING CORD	X	X	X
35	531722-451	PATTERN SELECTOR INDICATOR	X	X	
35	531722-452	PATTERN SELECTOR INDICATOR			X
36	312264	PATTERN SELECTOR KNOB RETAINING CLIP	X	X	X

CAM STACK



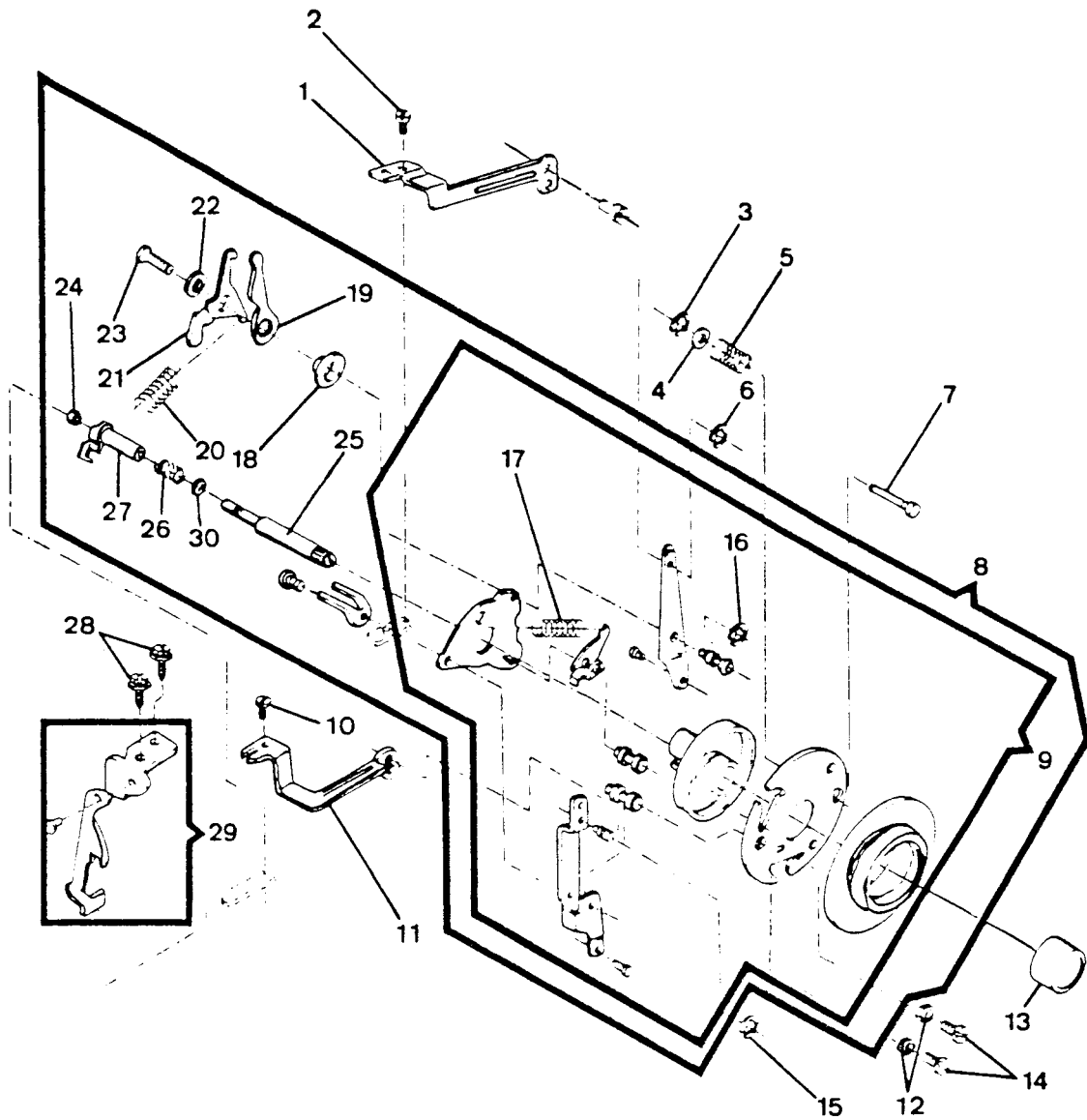
		PART LIST				
		CAM STACK		6	6	4
				0	2	5
				2	2	3
REF.	PART NBR	DESCRIPTION		1	1	8
=====						
01	531741	DISC DRIVING GEAR COMPLETE		X	X	X
02	444921	DISC DRIVING GEAR RETAINING RING		X	X	X
03	444923-453	DISC DRIVING GEAR SHAFT FRICTION WASHER		X	X	X
04	531747	DISC STACK		X	X	X
05	353424	DISC DRIVING GEAR WAVE WASHER		X	X	X
06	531742	DISC DRIVING GEAR SHAFT MOUNTING PLATE ASSEMBLY		X	X	X
07	531743	DISC DRIVING GEAR SHAFT		X	X	X
08	353575	DISC DRIVING GEAR SHAFT MOUNTING PLATE		X	X	X
09	53648-451	DISC DRIVING GEAR SHAFT NUT		X	X	X
10	353375-451	DISC DRIVING GEAR SHAFT MOUNTING PLATE SCREW WASHER		X	X	X
11	113455-001	DISC DRIVING GEAR SHAFT MOUNTING PLATE SCREW		X	X	X
12	113435-451	DISC DRIVING GEAR SHAFT MOUNTING PLATE SCREW		X	X	X
13	141920-452	DISC STACK POSITIONING SCREW		X	X	X
14	313190-451	DISC STACK POSITIONING SCREW WASHER		X	X	X
15	531744	DISC DRIVING GEAR		X	X	X
16	353488	DISC DRIVING GEAR SHAFT WASHER		X	X	X
17	354654-451	DISC DRIVING GEAR (COMPLETE) SUPPORT MOUNTING SCREW		X	X	X
18	531748	DISC DRIVING GEAR (COMPLETE) SUPPORT BRACKET		X	X	X

BUTTONHOLER & FEED REGULATOR CAM



PART LIST
 BUTTONHOLER & FEED REGULATOR CAM

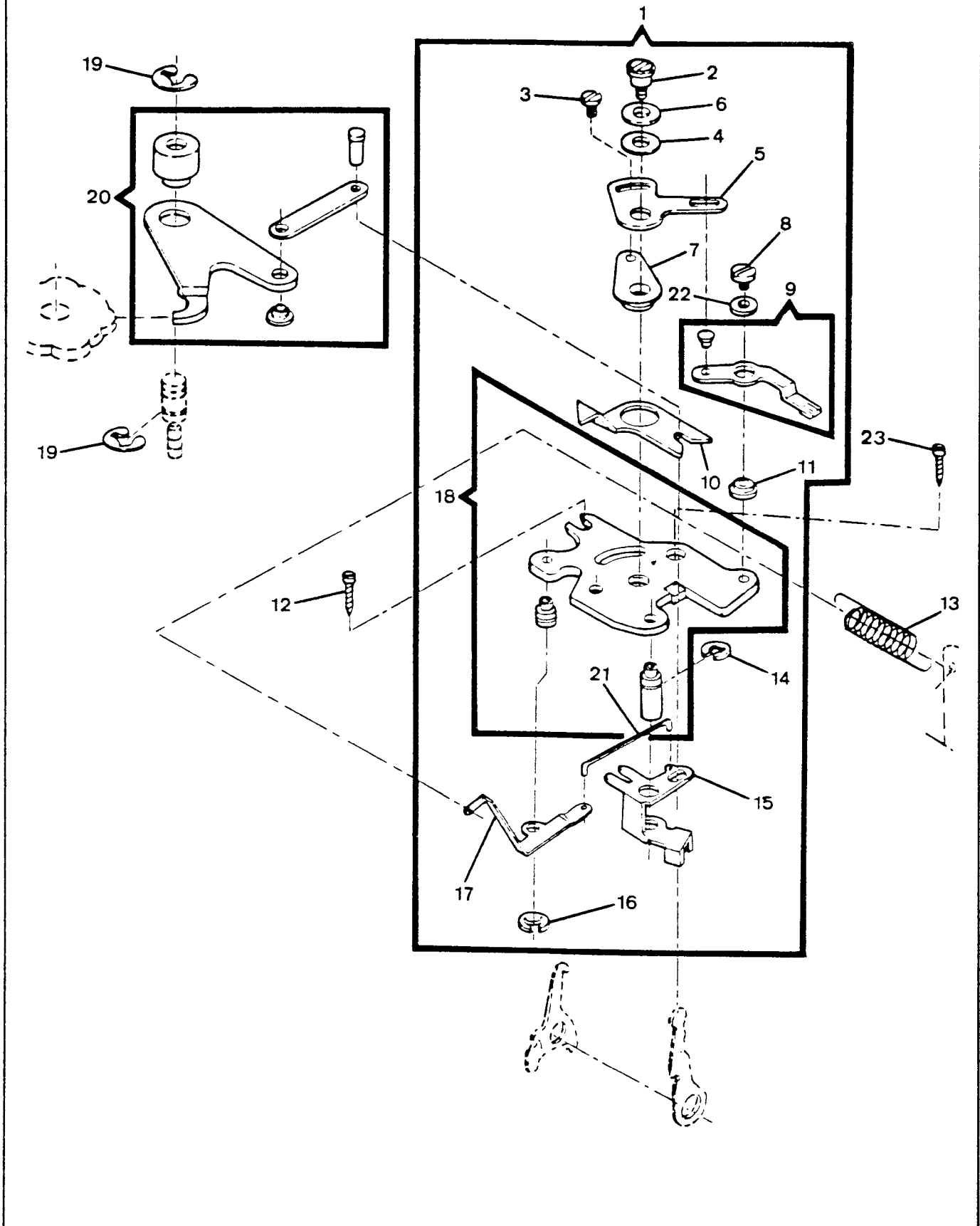
REF.	PART NBR	DESCRIPTION	6	6	4
			0	2	5
			2	2	3
			1	1	8
01	SK-4331	BUTTONHOLER NEEDLE POSITION CAM FOLLOWER LEVER LINK (RIGHT)	X	X	X
02	141913-451	BUTTONHOLER NEEDLE POSITION CAM FOLLOWER LEVER LINK (LEFT AND RIGHT) SCREW	X	X	X
03	408030	BUTTONHOLER & FEED REGULATOR MECHANISM MOUNTING PLATE STUD RETAINING RING	X	X	X
04	445808	BUTTONHOLER & FEED REGULATOR MECHANISM MOUNTING PLATE STUD SPRING WASHER	X	X	X
05	179949	BUTTONHOLER & FEED REGULATOR MECHANISM MOUNTING PLATE STUD SPRING	X	X	X
06	445486	BUTTONHOLER NEEDLE POSITION CAM FOLLOWER LEVER LINK (RIGHT) RETAINING RING	X	X	X
07	356230	BUTTONHOLER & FEED REGULATOR MECHANISM MOUNTING PLATE STUD	X	X	X
08	356799-451	BUTTONHOLER & FEED REGULATOR CAM COMPLETE	X	X	
08	356799-453	BUTTONHOLER & FEED REGULATOR CAM COMPLETE			X
09	356800-451	BUTTONHOLER & FEED REGULATOR CAM ASSEMBLY	X	X	
09	356791-453	BUTTONHOLER & FEED REGULATOR CAM ASSEMBLY			X
10	141913-451	BUTTONHOLER BIGHT CONTROL CAM FOLLOWER LEVER LINK (LEFT & RIGHT) SCREW	X	X	X
11	353551	BUTTONHOLER BIGHT CONTROL CAM FOLLOWER LEVER LINK	X	X	X
12	353588-451	BUTTONHOLER & FEED REGULATOR MECHANISM MOUNTING PLATE SCREW NUT	X	X	X
13	356654-451	FEED REGULATOR POSITIONING PIN KNOB	X	X	
13	356654-455	FEED REGULATOR POSITIONING PIN KNOB			X
14	113513-451	BUTTONHOLER & FEED REGULATOR MECHANISM MOUNTING PLATE SCREW	X	X	X
15	445486	BUTTONHOLER BIGHT CONTROL CAM FOLLOWER LEVER LINK RETAINING RING	X	X	X
16	353215	BUTTONHOLER NEEDLE POSITION CAM FOLLOWER LEVER RETAINING RING	X	X	X
17	353495	BUTTONHOLER & FEED REGULATOR CONTROL DIAL PAWL SPRING	X	X	X
18	353319	CAM CONTROL FEED ENGAGING CAM FOLLOWER LEVER BUSHING	X	X	X



PART LIST
 BUTTONHOLER & FEED REGULATOR CAM (CONT.)

6	6	4
0	2	5
2	2	3
1	1	8

REF.	PART NBR	DESCRIPTION	1	1	8
19	353321	CAM CONTROL FEED ENGAGING CAM FOLLOWER LEVER	X	X	X
20	353495	CAM CONTROL FEED ENGAGING CAM FOLLOWER & LEVER SPRING	X	X	X
21	353320	CAM CONTROL FEED ENGAGING CAM FOLLOWER	X	X	X
22	445539	CAM CONTROL FEED ENGAGING CAM FOLLOWER & LEVER LINK WASHER	X	X	X
23	113372-451	CAM CONTROL FEED ENGAGING CAM FOLLOWER & LEVER MOUNTING SCREW	X	X	X
24	618638-005	FEED REGULATOR POSITIONING PIN CARRIER INSERT NUT	X	X	X
25	356650	FEED REGULATOR POSITIONING PIN	X	X	X
26	44892	FEED REGULATOR POSITIONING PIN FRICTION SPRING	X	X	X
27	356652	FEED REGULATOR POSITIONING PIN FRICTION CARRIER	X	X	X
28	113455-001	FEED REGULATOR CONTROL ARM MOUNTING BRACKET SCREW	X	X	X
29	353304	FEED REGULATOR CONTROL ARM ASSEMBLY	X	X	X
30	356830-001	FEED REGULATOR POSITIONING PIN WASHER	X	X	X

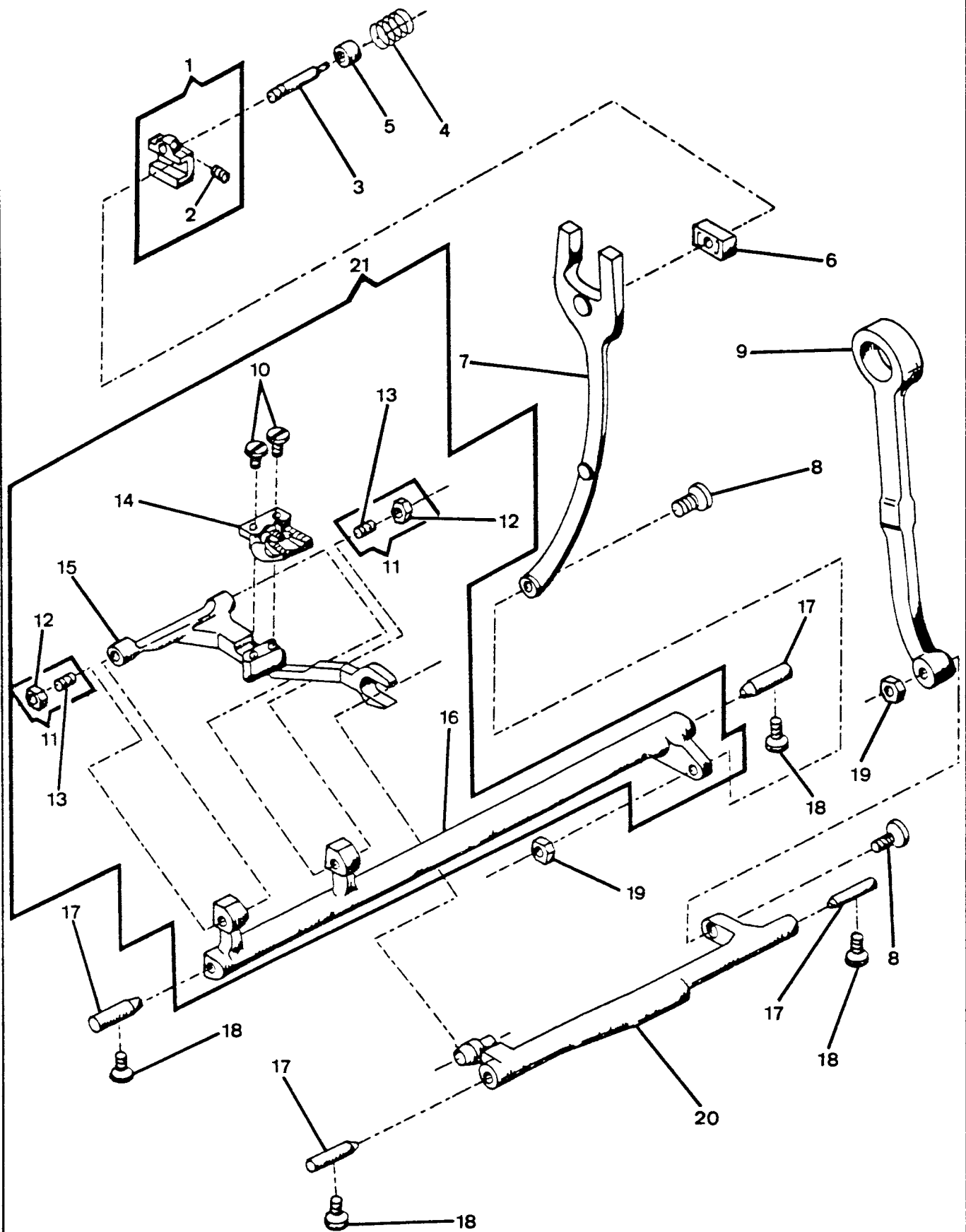


PART LIST
CAM CONTROLLED FEED

6 6 4
0 2 5
2 2 3
1 1 8

REF.	PART NBR	DESCRIPTION			
01	531749	CAM CONTROLLED FEED MOUNTING BRACKET COMPLETE	X	X	X
02	113423-451	CAM CONTROLLED FEED BALANCE ADJUSTING SPRING HINGE SCREW	X	X	X
03	141913-451	CAM CONTROLLED FEED BALANCE ADJUSTING SCREW	X	X	X
04	353492	CAM CONTROLLED FEED BALANCE ADJUSTING SPRING WASHER	X	X	X
05	531754	CAM CONTROLLED FEED BALANCE ADJUSTING SPRING	X	X	X
06	543531	CAM CONTROLLED FEED BALANCE ADJUSTING SCREW WASHER	X	X	X
07	353331	CAM CONTROLLED FEED DRIVING ARM ECCENTRIC	X	X	X
08	113424-451	CAM CONTROLLED FEED BALANCE ADJUSTING LEVER HINGE SCREW	X	X	X
09	531752	CAM CONTROLLED FEED BALANCE ADJUSTING LEVER ASSEMBLY	X	X	X
10	353330	CAM CONTROLLED FEED DRIVING ARM	X	X	X
11	353334	CAM CONTROLLED FEED BALANCE ADJUSTING LEVER MOUNTING BUSHING	X	X	X
12	355243-451	CAM CONTROLLED FEED MOUNTING BRACKET SCREW (BACK)	X	X	X
13	356605	FEED REGULATOR CONTROL ARM BIAS LINK SPRING	X	X	X
14	445721	CAM CONTROLLED FEED ENGAGING CRANK RETAINING RING	X	X	X
15	353329	CAM CONTROLLED FEED ENGAGING CRANK	X	X	X
16	445486	CAM CONTROLLED FEED ENGAGING CRANK LEVER RETAINING RING	X	X	X
17	356166	CAM CONTROLLED FEED ENGAGING CRANK LEVER	X	X	X
18	531750	CAM CONTROLLED FEED MOUNTING BRACKET ASSEMBLY	X	X	X
19	445486	CAM CONTROLLED FEED ENGAGING CRANK LEVER RETAINING RING	X	X	X
20	353335	CAM CONTROLLED FEED FOLLOWER & LINK ASSEMBLY	X	X	X
21	353473	CAM CONTROLLED FEED ENGAGING CRANK LINK	X	X	X
22	422523	CAM CONTROLLED FEED BALANCE ADJUSTING LEVER WASHER	X	X	X
23	113455-003	CAM CONTROLLED FEED MOUNTING BRACKET SCREW (RIGHT)	X	X	X

FEED SYSTEM

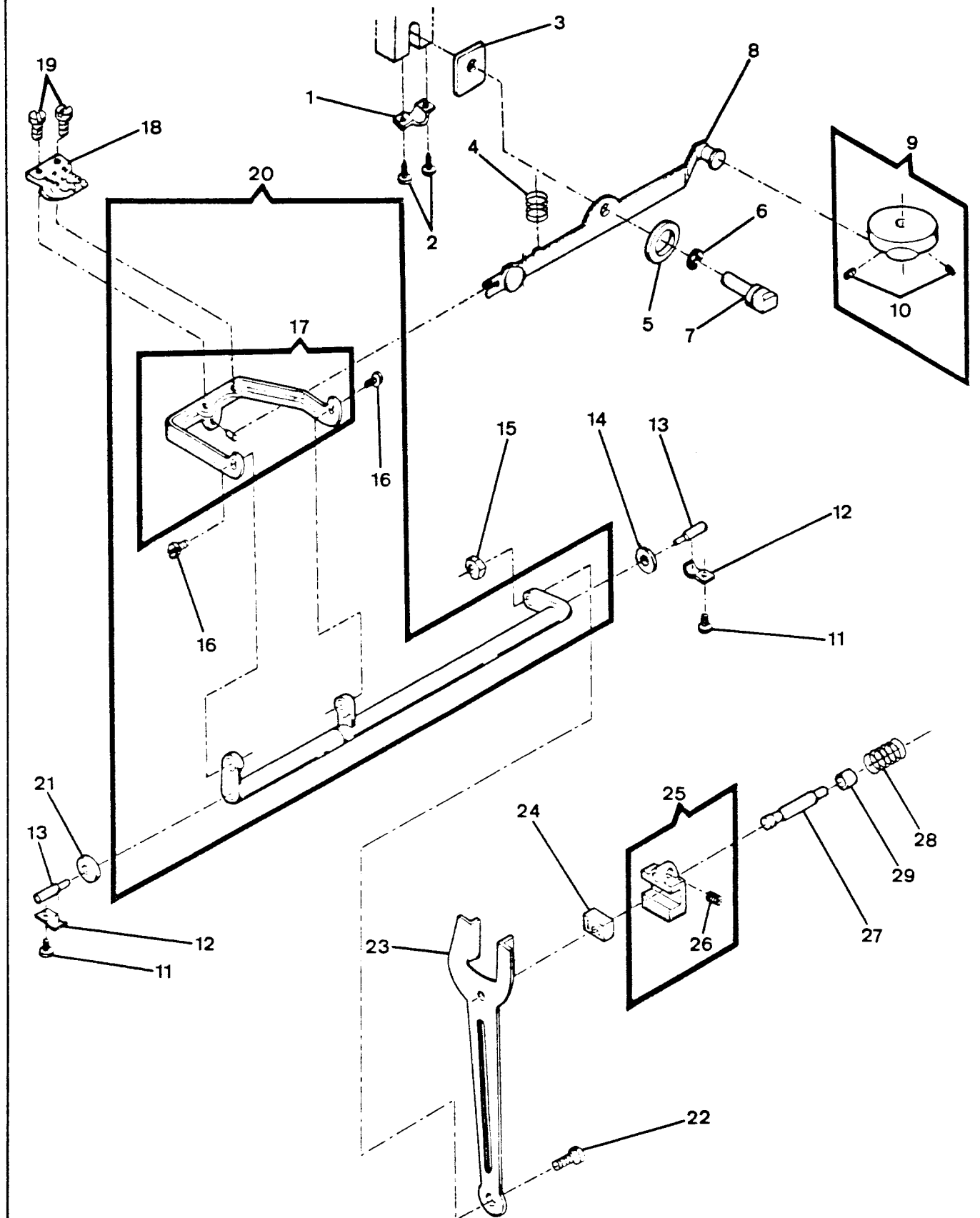


PART LIST
FEED SYSTEM

6 6 4
0 2 5
2 2 3
1 1 8

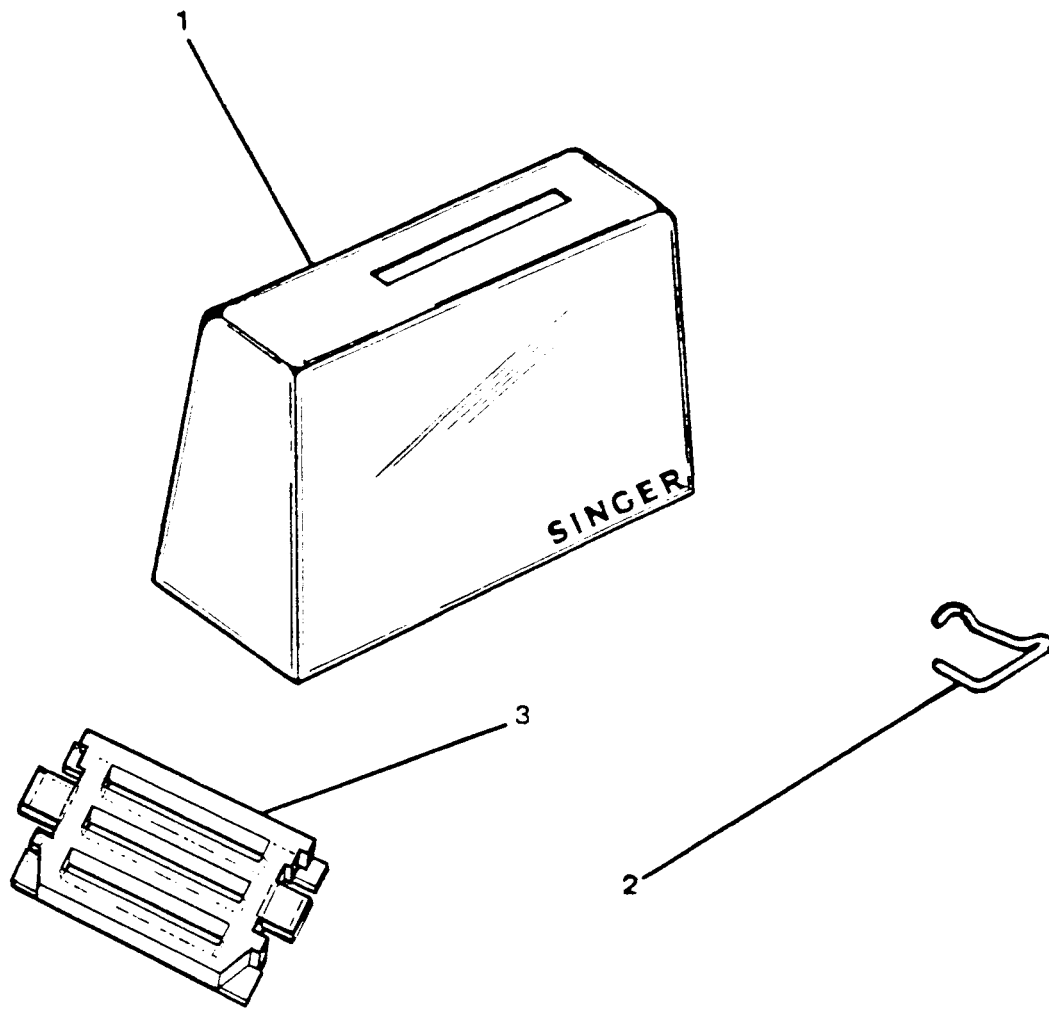
REF.	PART NBR	DESCRIPTION	
01	446244	FEED REGULATOR ASSEMBLY	X
02	141925-833	FEED REGULATOR SET SCREW	X
03	446483	FEED REGULATOR HINGE STUD	X
04	179890	FEED REGULATOR RETURN SPRING	X
05	445768	FEED REGULATOR RETURN SPRING BUSHING (PLASTIC)	X
06	44437	FEED FORKED CONNECTING SLIDE BLOCK	X
07	531669	FEED FORKED CONNECTING WITH STUD	X
08	141805-850	FEED LIFTING ROCK SHAFT CONNECTING ROD HINGE SCREW (ECCENTRIC)	X
09	37288	FEED LIFTING ROCK SHAFT CONNECTING ROD (MACHINED)	X
10	141808-451	FEED DOG SCREW	X
11	44505	FEED BAR SCREW CENTER	X
12	53647-819	FEED BAR SCREW CENTER NUT	X
13	141921-850	FEED BAR SCREW	X
14	531667	FEED DOG	X
15	44601	FEED BAR	X
16	531666-900	FEED ROCK SHAFT	X
17	37287	FEED LIFTING ROCK SHAFT & FEED ROCK SHAFT CENTER	X
18	141925-833	FEED LIFTING ROCK SHAFT CENTER SET SCREW	X
19	53648-451	FEED FORKED CONNECTING SCREW STUD NUT	X
20	446153	FEED LIFTING ROCK SHAFT COMPLETE	X
21	531665	FEED ROCK SHAFT COMPLETE	X

FEED SYSTEM (CONT.)



PART LIST
FEED SYSTEM (CONT.)

REF.	PART NBR	DESCRIPTION	6	6	4
			0	2	5
			2	2	3
			1	1	8
01	446485	FEED LIFTING LEVER HINGE STUD (ECCENTRIC) CLAMP		X	X
02	113455-001	FEED LIFTING LEVER HINGE STUD (ECCENTRIC) CLAMP SCREW		X	X
03	179955	FEED LIFTING LEVER HINGE STUD (ECCENTRIC) SPACER		X	X
04	446249	FEED LIFTING LEVER SPRING		X	X
05	353427	FEED LIFTING LEVER HINGE STUD (ECCENTRIC) WASHER		X	X
06	353428	FEED LIFTING LEVER HINGE STUD (ECCENTRIC) RETAINING RING		X	X
07	353448	FEED LIFTING LEVER HINGE STUD (ECCENTRIC)		X	X
08	356222	FEED LIFTING LEVER ASSEMBLY		X	X
09	446228	FEED LIFTING CAM		X	X
10	544118	FEED LIFTING CAM SCREW		X	X
11	113455-001	FEED ROCK SHAFT CENTER SUPPORTING BRACKET SCREW		X	X
12	446484	FEED ROCK SHAFT CENTER CLAMP (LEFT & RIGHT)		X	X
13	446487	FEED ROCK SHAFT CENTER		X	X
14	353397	FEED ROCK SHAFT CENTER (RIGHT) NOISE DAMPENING WASHER		X	X
15	53648-451	FEED FORKED CONNECTION SCREW STUD NUT		X	X
16	354939-451	FEED BAR HINGE SCREW		X	X
17	446205	FEED BAR ASSEMBLY		X	X
18	179891	FEED DOG		X	X
19	355235-451	FEED DOG SCREW		X	X
20	446216	FEED ROCK SHAFT COMPLETE		X	X
21	353397	FEED ROCK SHAFT CENTER (RIGHT) NOISE DAMPENING WASHER		X	X
22	531623-451	FEED FORKED CONNECTING HINGE SCREW (ECCENTRIC)		X	X
23	531926	FEED FORKED CONNECTION		X	X
24	44437	FEED FORKED CONNECTION SLIDE BLOCK		X	X
25	446244	FEED REGULATOR ASSEMBLY		X	X
26	141925-833	FEED REGULATOR SET SCREW		X	X
27	446483	FEED REGULATOR HINGE STUD		X	X
28	179890	FEED REGULATOR RETURN SPRING		X	X
29	445768	FEED REGULATOR RETURN SPRING BUSHING			

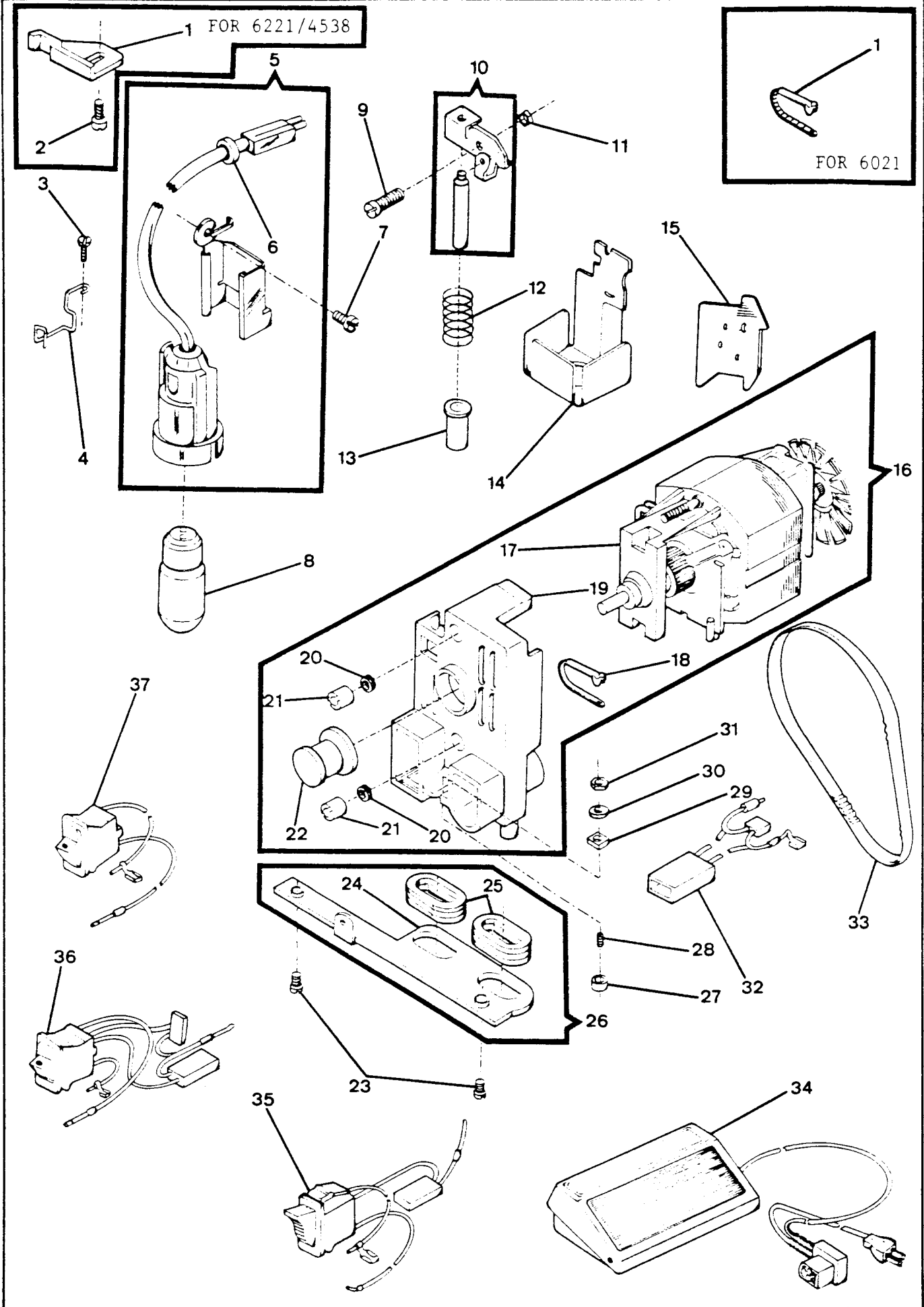


PART LIST
OPTIONS

6 6 4
0 2 5
2 2 3
1 1 8

REF.	PART NBR	DESCRIPTION			
01	531928-451	SOFT COVER (VINYL)	X	X	X
02	116863	FINGER GUARD	X	X	X
03	446480	FACE PLATE GRILLE	X	X	X

ELECTRICAL EQUIPMENT



PART LIST
ELECTRICAL EQUIPMENT

REF.	PART NBR	DESCRIPTION	6	6	4
			0	2	5
			2	2	3
			1	1	8
01	353411	LIGHT LEAD RETAINING CLIP		X	X
01	605600-001	LIGHT LEAD RETAINING CLIP	X		
02	113453-001	LIGHT LEAD RETAINING CLIP MOUNTING SCREW	X	X	X
03	113455-001	LIGHT LEAD WIRE RETAINER MOUNTING SCREW	X	X	X
04	353247	LIGHT LEAD WIRE RETAINER	X	X	X
05		REFER TO CHARTS ON FOLLOWING PAGES			
06	179908	LIGHT LEAD GROMMET	X	X	X
07	354592-451	LIGHT SOCKET MOUNTING SCREW	X	X	X
08	988076-001	LAMP (120V)	X	X	X
08	988076-003	LAMP (220V)	X	X	X
08	988076-005	LAMP (240V)	X	X	X
09	113372-451	MOTOR GUIDE PIN MOUNTING BRACKET SCREW	X	X	X
10	446470	MOTOR GUIDE PIN MOUNTING BRACKET ASSEMBLY	X	X	X
11	313470-452	MOTOR GUIDE PIN MOUNTING BRACKET SCREW NUT	X	X	X
12	446473	MOTOR BELT TENSION SPRING	X	X	X
13	446475	MOTOR GUIDE PIN BUSHING	X	X	X
14	605087-001	HEAT SHIELD (FOR EUROPE)	X	X	X
15	179901	LIGHT SHIELD (WITHOUT GRAPHICS)	X	X	X
15	179910-451	LIGHT SHIELD (WITH GRAPHICS)	X	X	X
16		REFER TO CHARTS ON FOLLOWING PAGES			
17		REFER TO CHARTS ON FOLLOWING PAGES			
18	605600-001	TY RAP	X	X	X
19		REFER TO CHARTS ON FOLLOWING PAGES			
20	604018-003	MOTOR MODULE WASHER	X	X	X
21	603907-001	MOTOR MODULE NUT	X	X	X
22	988761-001	MOTOR PULLEY	X	X	X
23	113370-451	MOTOR MOUNTING PLATE SCREW	X	X	X
24	446476	MOTOR MOUNTING PLATE	X	X	X
25	353355	MOTOR MOUNTING PLATE GROMMET	X	X	X
26	446479	MOTOR MOUNTING PLATE ASSEMBLY	X	X	X
27	988887-001	MOTOR BELT SCREW CAP	X	X	X
28	113343-451	MOTOR BELT SCREW	X	X	X
29	179887	MOTOR BELT SCREW NUT	X	X	X
30	445539	MOTOR ADJUSTING SCREW LOCK NUT WASHER	X	X	X
31	353402-451	MOTOR ADJUSTING SCREW LOCK NUT	X	X	X
32	988768-001	LIGHT RECEPTACLE HARNESS (SURPRESSED) COMPLETE	X	X	X
32	988764-0001	LIGHT RECEPTACLE HARNESS (UNSURPRESSED) COMPLETE	X	X	X
33	353518-001	MOTOR BELT	X	X	X
34		REFER TO CHARTS ON FOLLOWING PAGES			
35		REFER TO CHARTS ON FOLLOWING PAGES			
36		REFER TO CHARTS ON FOLLOWING PAGES			
37		REFER TO CHARTS ON FOLLOWING PAGES			

ELECTRICAL EQUIPMENT

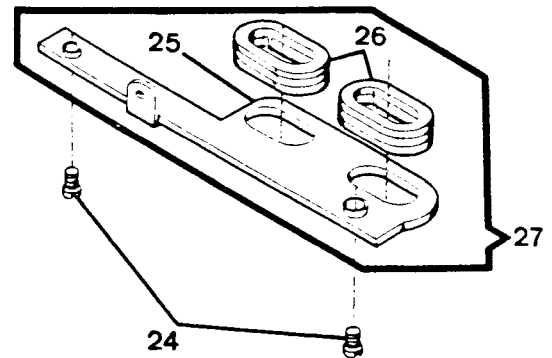
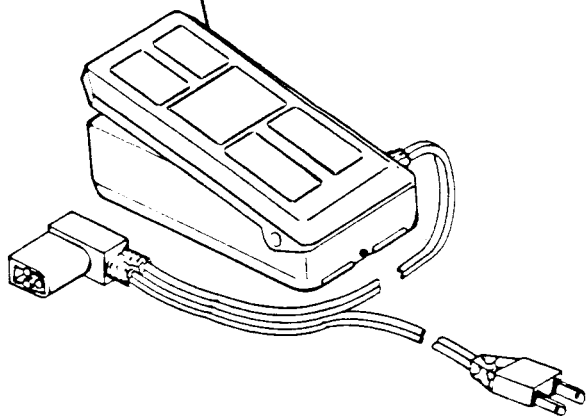
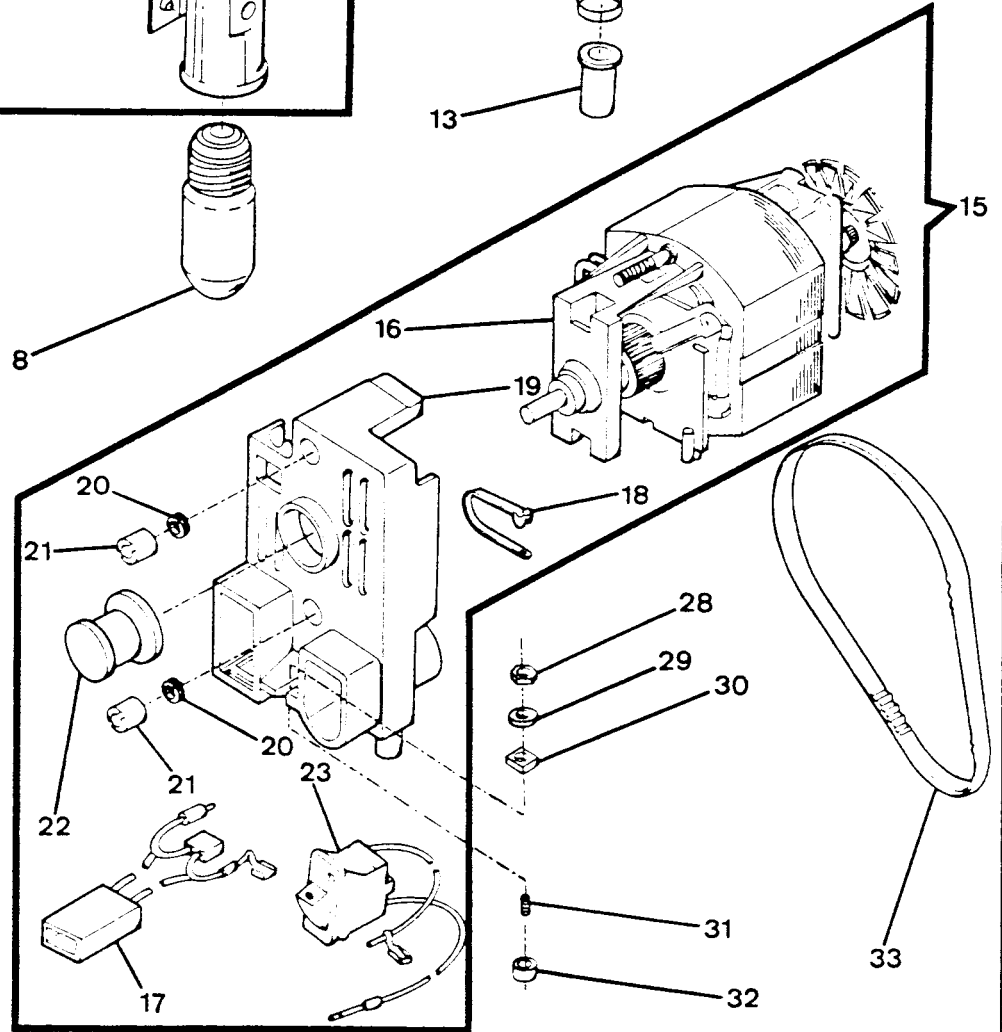
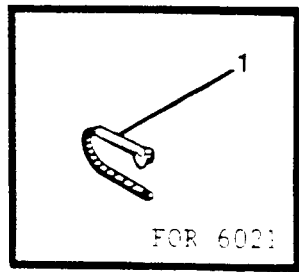
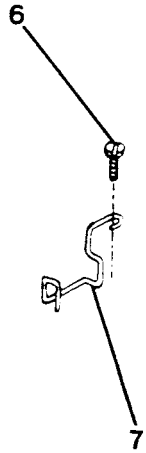
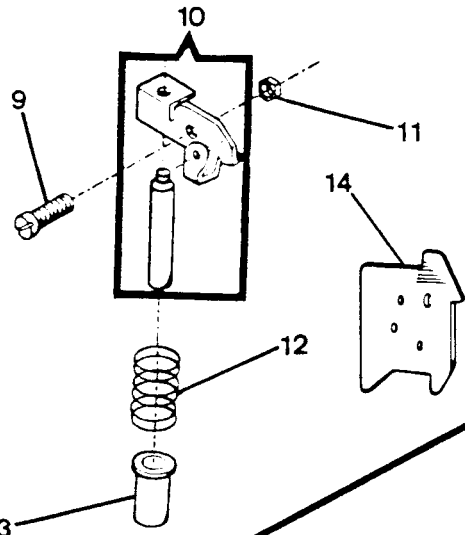
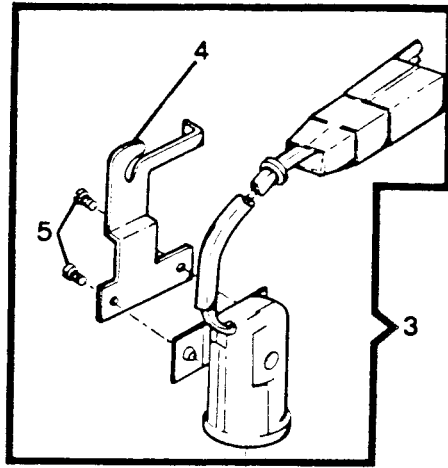
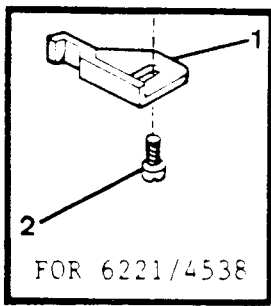
		U. S	CANADA	EUROPE	GREAT BRITAIN
REF.	1 SPEED UNSURPRESSED -----	(120V) -----	(120V) -----	(220V) -----	(240V) -----
5	LIGHT COMP.	NP0032-001	NP0032-001		
5	LIGHT SOCKET (ALT.)	NP0067-003	NP0067-003		
16	MOTOR COMPLETE	988759-001	988759-001		
17	SERIES MOTOR MODULE	988752-001	988752-001		
19	COMMUTATOR END	988760-002	988760-002		
34	CONTROLLER	988274-090	988274-090		
34	CONTROLLER (ALT.)	979314-031	979314-031		
37	SWITCH	988763-P01	988763-P01		
	1 SPEED SURPRESSED -----				
5	LIGHT COMP.			NP0032-002	NP0032-002
5	LIGHT SOCKET (ALT.)			-----	-----
16	MOTOR COMPLETE			988759-002	988759-003
17	SERIES MOTOR MODULE			988752-002	988752-003
19	COMMUTATOR END			988760-002	988760-002
34	CONTROLLER			988274-051	988274-055
34	CONTROLLER (ALT.)			979314-026	979314-027
37	SWITCH			988763-001	988763-001
	1 SPEED SURPRESSED -----	U. S. (SCR) -----			
5	LIGHT COMP.	NP0067-003			
16	MOTOR COMPLETE	988759-003			
17	SERIES MOTOR MODULE	988752-001			
19	COMMUTATOR END	988760-002			
34	CONTROLLER	979509-001			
37	SWITCH	988763-P01			

ELECTRICAL EQUIPMENT

		ASIA & AFRICA & SOUTH AMERICA	ASIA & AFRICA & SOUTH AMERICA	AFRICA & SOUTH AMERICA	AMEDO
REF.	1 SPEED UNSURPRESSED	FLAT BLADE (120V)	FLAT BLADE (220V)	ROUND PIN (120V)	ROUND PIN (120V)
5	LIGHT COMP.	NP0032-004	NP0032-004	NP0032-004	NP0032-004
5	LIGHT SOCKET (ALT.)	NP0067-003	NP0067-003	NP0067-003	NP0067-003
16	MOTOR COMPLETE	988759-XXA	988759-004	988759-XXA	988759-P03
17	SERIES MOTOR MODULE	988752-001	988752-004	988752-001	988752-P04
19	COMMUTATOR END	988760-002	988760-002	988760-002	988760-002
34	CONTROLLER	988274-100	988274-110	988274-097	988274-097
34	CONTROLLER (ALT.)	979314-023	979314-024	979314-021	979314-021
37	SWITCH	988763-001	988763-001	988763-001	988763-001
	1 SPEED SURPRESSED				
5	LIGHT COMP.				
5	LIGHT SOCKER (ALT.)				
16	MOTOR COMPLETE				
17	SERIES MOTOR MODULE				
19	COMMUTATOR END				
34	CONTROLLER				
34	CONTROLLER (ALT.)				
37	SWITCH - 2 SPEED				

ELECTRICAL EQUIPMENT

REF.	1 SPEED UNSURPRESSED -----	AFRICA & SOUTH AMERICA	SOUTH AFRICA	AMEDO	AUSTRALIA
		ROUND PIN (220V) -----	ROUND PIN (220V)	ROUND PIN (220V) -----	(240V) -----
5	LIGHT COMP.	NP0032-004		NP0032-004	
5	LIGHT SOCKET (ALT.)	NP0067-003		NP0067-003	
16	MOTOR COMPLETE	988759-004		988759-P04	
17	SERIES MOTOR MODULE	988752-004		988752-P04	
19	COMMUTATOR END	988760-002		988760-002	
34	CONTROLLER	988274-098		988774-098	
34	CONTROLLER (ALT.)	979314-022		979314-022	
37	SWITCH	988763-001		988763-001	
	1 SPEED SURPRESSED -----				
5	LIGHT COMP.		NP0032-005		NP0032-003
5	LIGHT SOCKER (ALT.)		-----		-----
16	MOTOR COMPLETE		988759-P02		988759-P01
17	SERIES MOTOR MODULE		988752-P02		988752-P01
19	COMMUTATOR END		988760-002		988760-002
34	CONTROLLER		988274-099		988274-057
34	CONTROLLER (ALT.)		979314-030		979314-028
37	SWITCH		988763-001		988763-001



PART LIST
ELECTRICAL EQUIPMENT 110V, SINGLE SPEED,
SURPRESSED (JAPAN ONLY)

6 6 4
0 2 5
2 2 3
1 1 8

REF.	PART NBR	DESCRIPTION			
01	605600-001	LIGHT LEAD RETAINING CLIP (TYE RAP)	X		
01	353411	LIGHT LEAD RETAINING CLIP		X	X
02	113504-451	LIGHT LEAD RETAINING CLIP MOUNTING SCREW		X	X
03	979148-001	LIGHT COMPLETE	X	X	X
04	979146-001	LIGHT SOCKET BRACKET	X	X	X
05	141913-451	LIGHT SOCKET MOUNTING SCREW	X	X	X
06	113455-001	LIGHT LEAD WIRE RETAINER MOUNTING SCREW	X	X	X
07	353247	LIGHT LEAD WIRE RETAINER	X	X	X
08	549887-003	LAMP	X	X	X
09	113372-451	MOTOR GUIDE PIN MOUNTING BRACKET SCREW	X	X	X
10	446470	MOTOR GUIDE PIN MOUNTING BRACKET ASSEMBLY	X	X	X
11	313470-452	MOTOR GUIDE PIN MOUNTING BRACKET SCREW NUT	X	X	X
12	446473	MOTOR BELT TENSION SPRING	X	X	X
13	446475	MOTOR GUIDE PIN BUSHING	X	X	X
14	179901	HEAT SHIELD (WITHOUT GRAPHICS)	X	X	X
15	988759-005	MOTOR COMPLETE	X	X	X
16	988752-005	SERIES MOTOR MODULE	X	X	X
17	988768-002	LIGHT RECEPTACLE HARNESS (SURPRESSED) COMPLETE	X	X	X
18	605600-001	TYE RAP	X	X	X
19	988760-002	COMMUTATOR END COVER	X	X	X
20	604018-003	MOTOR MODULE WASHER	X	X	X
21	602907-001	MOTOR MODULE NUT	X	X	X
22	988761-001	MOTOR PULLEY	X	X	X
23	988763-002	SWITCH WITH CONNECTOR AND CONTACT LEADS	X	X	X
24	113370-451	MOTOR MOUNTING PLATE SCREW	X	X	X
25	446476	MOTOR MOUNTING PLATE	X	X	X
26	353355	MOTOR MOUNTING PLATE GROMMET	X	X	X
27	446479	MOTOR MOUNTING PLATE ASSEMBLY	X	X	X
28	353402-451	MOTOR MOUNTING SCREW LOCK NUT	X	X	X
29	445539	MOTOR MOUNTING SCREW LOCK NUT WASHER	X	X	X
30	179887	MOTOR BELT SCREW NUT	X	X	X
31	113343-451	MOTOR BELT SCREW	X	X	X
32	988887-001	MOTOR BELT SCREW CAP	X	X	X
33	353518-001	MOTOR BELT	X	X	X
34	411837-001	CONTROLLER	X	X	X