



LIST OF PARTS
SEWING MACHINE SERIES

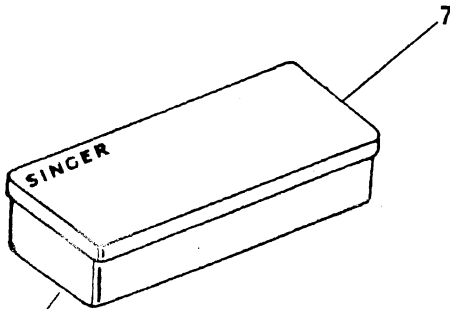
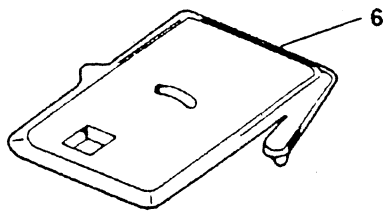
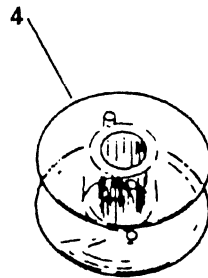
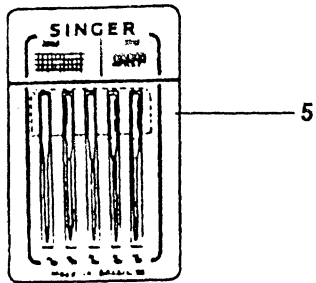
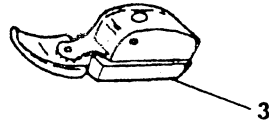
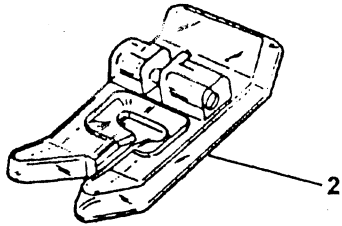
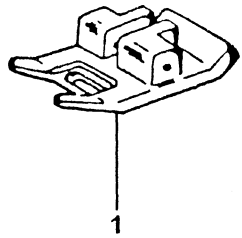
5605/5610

5705/5710

© THE SINGER COMPANY
1999 SINGER DO BRASIL
ALL RIGHTS RESERVED

PRINTED IN BRAZIL
P/N 357655-001
JAN/99

ATTACHMENT SET

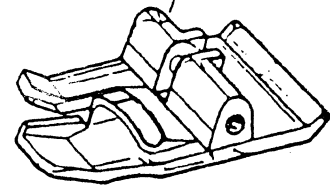


8

10



9



REV: _____
DATA: _JAN/99_

**PART LIST
SUB-ASSEMBLY**

REF.	DESCRIPTION
01 - 02	ATTACHMENT SET
03 - 04	ARM, BED, THROAT PLATE & BED SLIDE
05 - 06	ARM TOP COVER
07 - 08	COVERS & ADD-ONS
09 - 13	NEEDLE BAR, PRESSER BAR & THREAD TAKE-UP
14 - 15	ARM SHAFT DRIVE
16 - 17	HAND WHEEL
18 - 19	TENSION MECHANISM
20 - 21	HOOK SYSTEM
22 - 23	BIGHT AMPLITUDE
24 - 25	NEEDLE POSITION
26 - 28	DISC SELECTOR ASSEMBLY
29 - 31	BUTTONHOLER & FEED REGULATOR CAM
32 - 33	CAM CONTROLLED FEED
34 - 35	FEED SYSTEM
36 - 37	OPTIONS
38 - 40	ELECTRICAL EQUIPMENT

**5600 series, 5700 series
P/N 357655-001**

Adopt.

PART LIST
ATTACHMENT SET

5 5 5 5
6 6 7 7
0 1 0 1
5 0 5 0

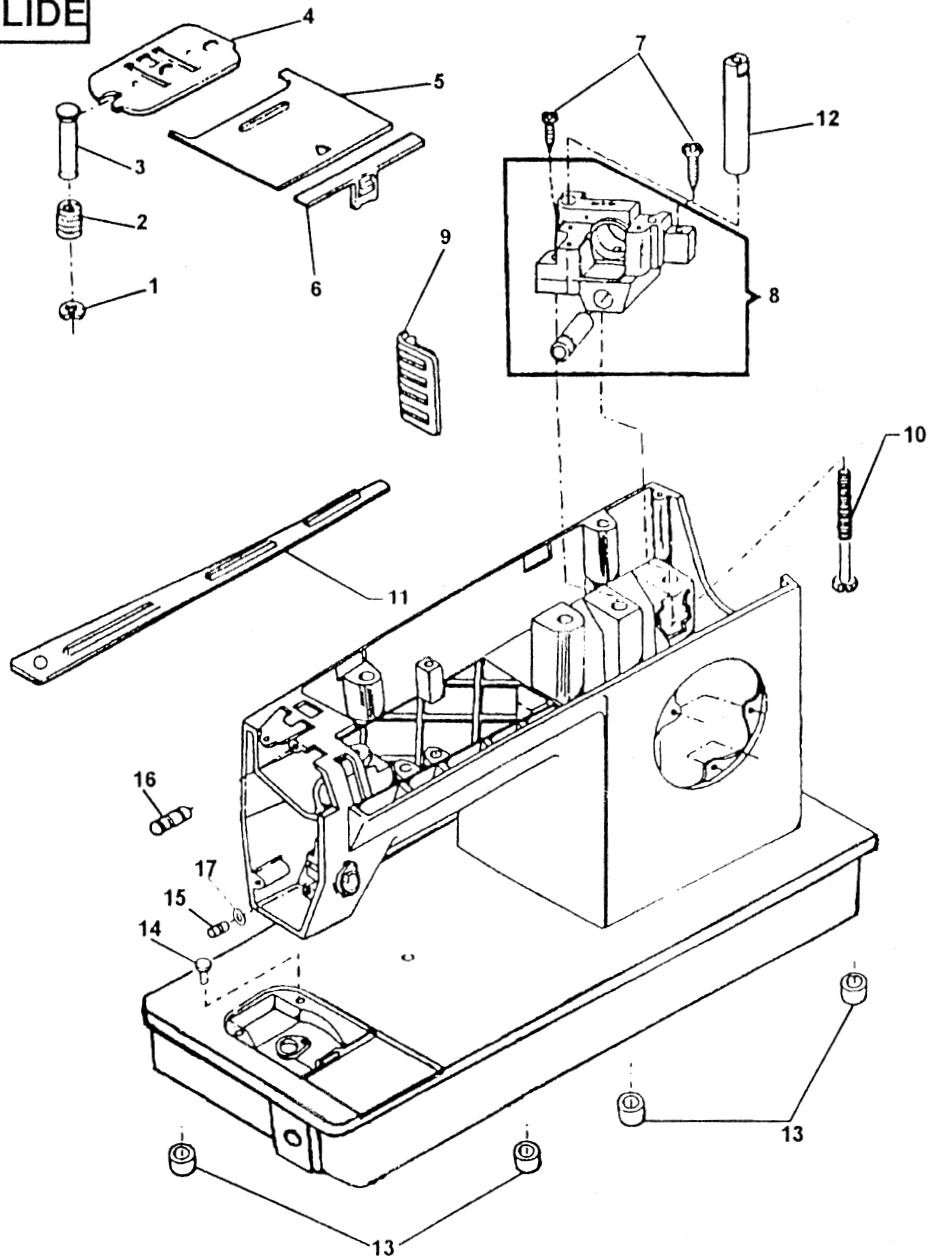
REF. P/N	DESCRIPTION				
01 446492-451	SPECIAL PURPOSE PRESSER FOOT PLATE (SNAP-ON)	X	X	X	X
02 161927	PRESSER FOOT PLATE (SNAP-ON) FOR SEWING BUTTONHOLES	X	X	X	X
03 507836	PRESSER FOOT PLATE (SNAP-ON) COMPLETE FOR CORDING & SLIDE FASTENERS	X	X	X	X
04 172336	BOBBIN (PLASTIC)	X	X	X	X
05 353364	NEEDLE PACK (N2020 SIZE 11/14/16 & N2045 SIZE 11/14)	X	X	X	X
06 313117	FEED COVER PLATE (PLASTIC)	X	X	X	X
07 446149-461	ATTACHMENT BOX COVER (PLASTIC)	X	X	X	X
08 446148-458	ATTACHMENT BOX BASE (PLASTIC)	X	X	X	X
09 356630	BLIND STITCH GUIDE PRESSER FOOT	X	X	X	X
10 507664-467	ARM TOP COVER SPOOL PIN THREAD LEAD-OFF SMALL (PLASTIC)	X	X	X	X
11 446496-005	ATTACHMENT SET COMPLETE	X	X	X	X

REF.	PART No.	IN PLACE OF	DATE
07	446149-461	446149-458	12/12/1997
08	446148-458	446149-456	12/12/1997
11	446496-005	446496-003	07/07/1997

5600 series, 5700 series
P/N 357655-001

Adopt.

ARM, BED, THROAT PLATE & BED SLIDE



REV: _____
DATE: _JAN/99_

PART LIST
ARM, BED, THROAT PLATE & BED SLIDE

5 5 5 5
6 6 7 7
0 1 0 1
5 0 5 0

*SS Plate
 use
 356 714000*

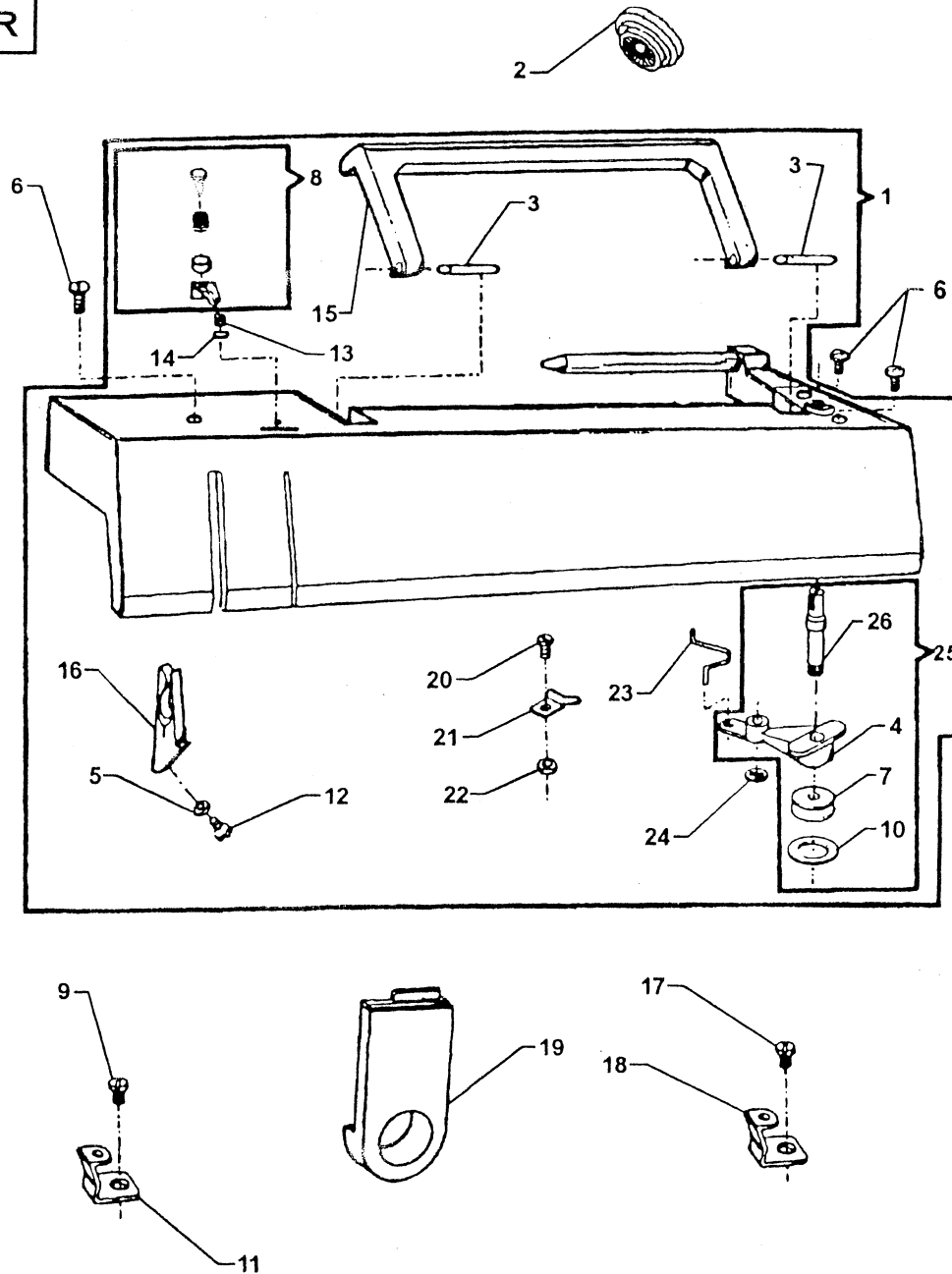
REF. P/N	DESCRIPTION				
01 179926	THROAT PLATE CLAMP SPRING RETAINING RING	X	X	X	X
02 357611	THROAT PLATE CLAMP SPRING	X	X	X	X
03 357445	THROAT PLATE CLAMP	X	X	X	X
04 356713	THROAT PLATE FOR ZIG-ZAG SEWING	X	X	X	X
05 179982	BED SLIDE PLATE	X	X	X	X
06 446482	BED SLIDE SPRING	X	X	X	X
07 113455-006	ARM SHAFT (REAR) HOUSING MOUNTING SCREW	X	X	X	X
08 357017-002	ARM SHAFT (REAR) HOUSING ASSEMBLY	X	X	X	X
09 353360-45X	ARM INSERT (MOTOR VENT GRILL)	X	X	X	X
10 357020-451	ARM SHAFT (REAR) HOUSING MOUNTING SCREW	X	X	X	X
11 356111-452	FILLER PLATE	X	-	X	-
11 356112-452	FILLER PLATE	-	X	-	X
12 357019	ARM TOP COVER MOUNTING STUD	X	X	X	X
13 353559-451	UNDER BED COVER CUSHION	X	X	X	X
14 353624	THROAT PLATE POSITION PIN (PLASTIC)	X	X	X	X
15 357438-001	TENSION RELEASING LEVER HINGE PIN	X	X	X	X
16 446375	THREAD TAKE-UP LEVER LINK HINGE STUD	X	X	X	X
17 357464-002	TENSION RELEASING LEVER HINGE PIN WASHER	X	X	X	X

REF.	NEW P/N	IN PLACE OF	IMPLEMENTATION DATE
02	357611	353494	04/14/97
17	3574464-002	-----	01/10/98

5600 series, 5700 series
P/N 357655-001

Adopt.

ARM TOP COVER



REV: _____
DATA: _JAN/99_

PART LIST
ARM TOP COVER

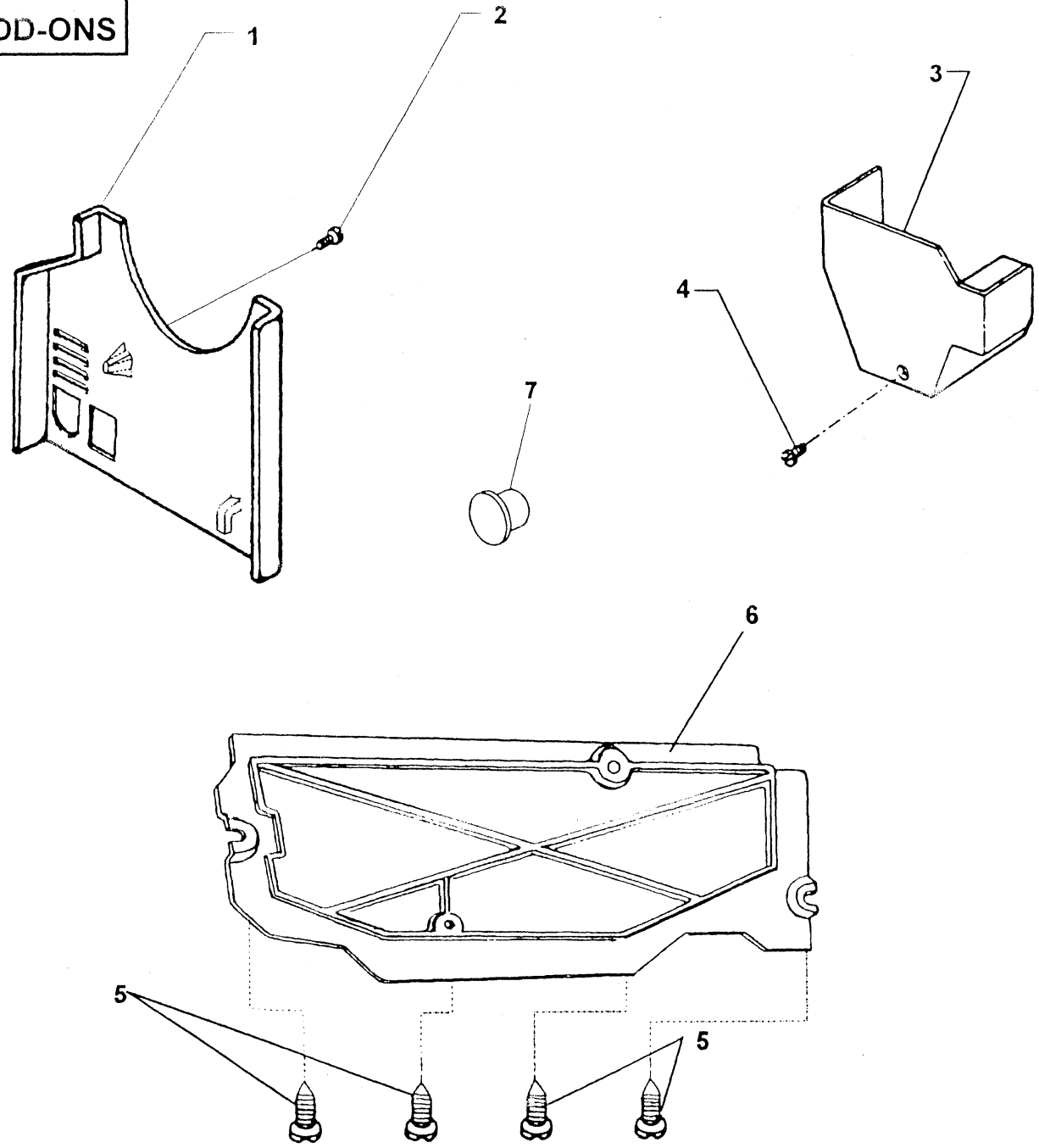
REF. P/N	DESCRIPTION	5	5	5	5
		6	6	7	7
		0	1	0	1
		5	0	5	0
01	356811-XXX ARM TOP COVER COMPLETE	-	-	-	-
02	179967-461 ARM TOP COVER SPOOL PIN THREAD LEAD-OFF	X	X	X	X
03	357325-900 ARM TOP COVER HANDLE HINGE PIN	X	X	X	X
04	357082-452 BOBBIN WINDER FRAME	X	X	X	X
05	446138 ARM TOP COVER THREAD GUIDE SCREW WASHER	X	X	X	X
06	354895-453 ARM TOP COVER SCREWS	X	X	X	X
07	44440-001 BOBBIN WINDER FRICTION RING PULLEY	X	X	X	X
08	356047 BOBBIN WINDER TENSION COMPLETE	X	X	X	X
09	354826-451 ARM TOP COVER MOUNTING BRACKET SCREW	X	X	X	X
10	15287-701 BOBBIN WINDER FRICTION RING	X	X	X	X
11	531765 ARM TOP COVER BRACKET (LEFT)	X	X	X	X
12	356116-451 ARM TOP COVER THREAD GUIDE SCREW	X	X	X	X
13	141936-833 BOBBIN WINDER REGULATING SCREW	X	X	X	X
14	44794 BOBBIN WINDER REGULATING SCREW CLIP	X	X	X	X
15	357338-900 ARM TOP COVER HANDLE	X	X	X	X
16	357084-451 ARM TOP COVER THREAD GUIDE	X	X	X	X
17	113455-001 ARM TOP COVER MOUNTING BRACKET SCREW	X	X	X	X
18	356178 ARM TOP COVER MOUNTING BRACKET (RIGHT)	X	X	X	X
19	356173-453 ARM TOP COVER SHROUDER	X	X	X	X
20	141920-455 BOBBIN WINDER STOP SCREW	X	X	X	X
21	445924 BOBBIN WINDER STOP	X	X	X	X
22	53640-819 BOBBIN WINDER STOP SCREW NUT	X	X	X	X
23	531766 BOBBIN WINDER HINGE STUD SPRING	X	X	X	X
24	445486 BOBBIN WINDER RETAINING RING	X	X	X	X
25	531767-452 BOBBIN WINDER ASSEMBLY	X	X	X	X
26	357081-452 BOBBIN WINDER SPINDLE COMPLETE	X	X	X	X

NOTE: PLEASE WHEN NEED THE PART NUMBER(-----XXX), INDICATE THE MACHINE MODEL WHERE WILL BE USED.

5600 series, 5700 series
P/N 357655-001

Adopt.

COVERS AND ADD-ONS



REV: _____
DATA: _JAN/99_

**PART LIST
COVERS AND ADD'ONS**

REF. P/N	DESCRIPTION	5	5	5	5
		6	6	7	7
		0	1	0	1
		5	0	5	0
01 446450-XXX	ARM END COVER (UL/CSA APPROVAL)	X	-	-	-
02 364063-451	ARM END COVER SCREWS	X	X	X	X
03 356235-XXX	FACE PLATE W/ GRILLE	-	-	-	X
03 356051-XXX	FACE PLATE W/o GRILLE	X	X	X	X
04 354133-453	FACE PLATE SCREW	X	X	X	X
05 113455-003	UNDER BED COVER SCREW	X	X	X	X
06 357356-452	UNDER BED COVER (PLASTIC)	X	X	X	X
07 357674-000	BAD HOLE PLUG	X	X	X	X

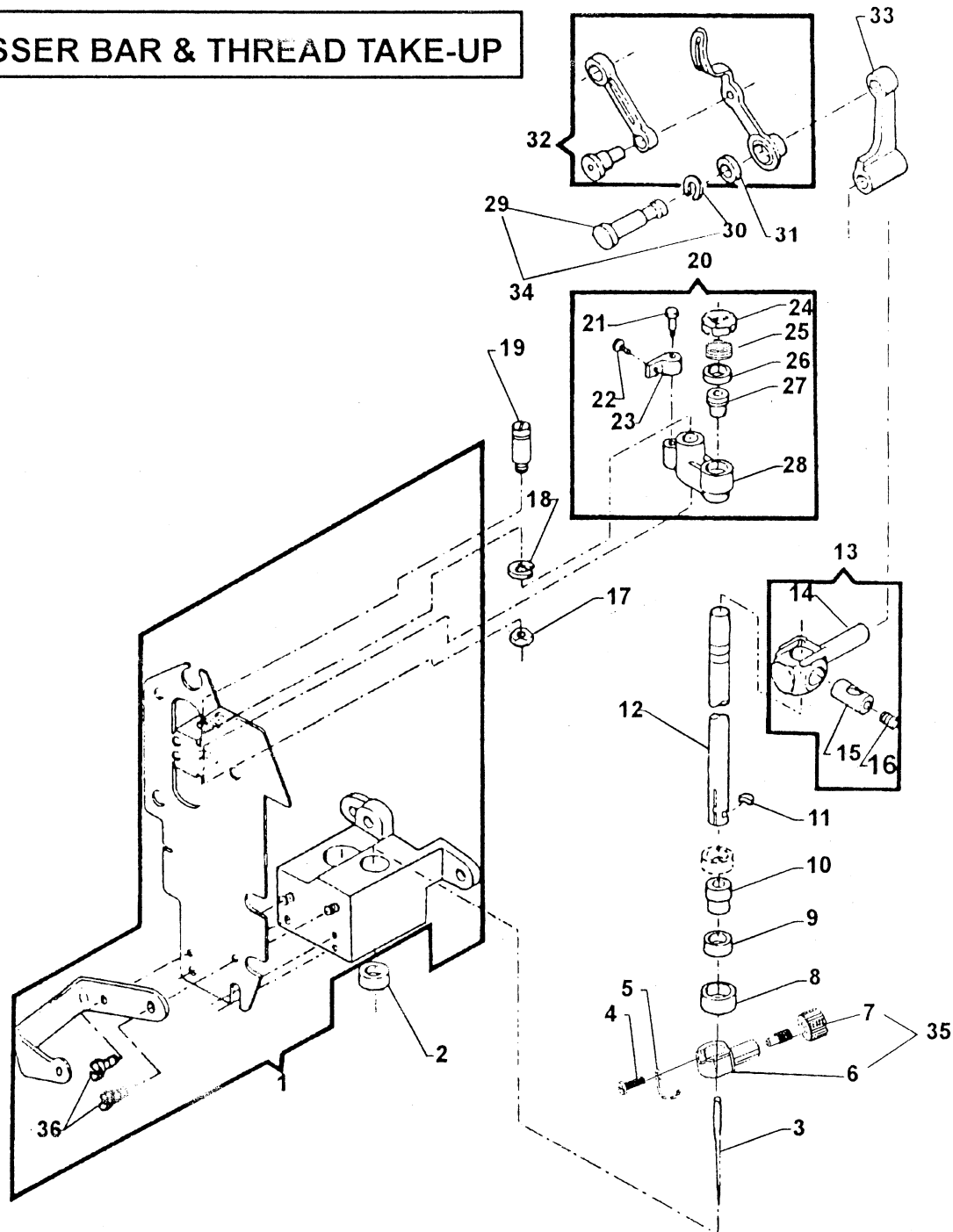
NOTE: PLEASE WHEN NEED THE PART NUMBER(-----XXX), INDICATE THE MACHINE MODEL WHERE WILL BE USED.

REF.	NEW P/N	IN PLACE OF	IMPLEMENTATION DATE
06	357356-452	357356-451	20/10/98

**5600 series, 5700 series
P/N 357655-001**

Adopt.

NEEDLE BAR, PRESSER BAR & THREAD TAKE-UP



REV: _____
DATE: _JAN/99_

PART LIST
NEEDLE BAR, PRESSER BAR & THREAD TAKE-UP

5 5 5 5
6 6 7 7
0 1 0 1
5 0 5 0

REF. P/N	DESCRIPTION				
01 357360	NEEDLE BAR, PRESSER BAR & VIBRATING BRACKET HOUSING ASSEMBLY	X	X	X	X
02 44450	NEEDLE BAR BUSHING (LOWER) SOCKET (UPPER)	X	X	X	X
03 204514-100	NEEDLE (SIZE NBR 14)	X	X	X	X
04 141920-455	NEEDLE CLAMP BODY, THREAD GUIDE & NEEDLE STOP SCREW	X	X	X	X
05 357421	NEEDLE CLAMP BODY, THREAD GUIDE	X	X	X	X
06 357429	NEEDLE CLAMP BODY	X	X	X	X
07 355248-451	NEEDLE THUMB SCREW	X	X	X	X
08 446361-001	NEEDLE BAR BALL BUSHING (LOWER) ADJUSTING COLLAR	X	X	X	X
09 507379	NEEDLE BAR BALL BUSHING (LOWER) SOCKET	X	X	X	X
10 446355-001	NEEDLE BAR BUSHING (LOWER)	X	X	X	X
11 37943	NEEDLE BAR GIB	X	X	X	X
12 445793	NEEDLE BAR	X	X	X	X
13 353549-940	NEEDLE BAR CONNECTING STUD WITH HINGE PIN	X	X	X	X
14 353549	NEEDLE BAR CONNECTING STUD	X	X	X	X
15 37931	NEEDLE BAR CONNECTING STUD HINGE PIN	X	X	X	X
16 141916-833	NEEDLE BAR CLAMPING SCREW	X	X	X	X
17 357093-451	NEEDLE BAR VIBRATING BRACKET HINGE PIN NUT	X	X	X	X
18 445721	NEEDLE BAR VIBRATING BRACKET HINGE PIN RETAINING RING	X	X	X	X
19 446359	NEEDLE BAR VIBRATING BRACKET HINGE PIN	X	X	X	X
20 353520-001	NEEDLE BAR VIBRATING BRACKET COMPLETE	X	X	X	X
21 37935	NEEDLE BAR DRIVING ARM HINGE BRACKET HINGE PIN	X	X	X	X
22 354826-451	NEEDLE BAR DRIVING ARM HINGE BRACKET SCREW	X	X	X	X
23 446190	NEEDLE BAR DRIVING ARM HINGE BRACKET	X	X	X	X
24 353522-001	NEEDLE BAR BALL BUSHING (UPPER) RETAINING RING	X	X	X	X
25 357616	NEEDLE BAR BALL BUSHING (UPPER) SOCKET SPRING	X	X	X	X
26 357615	NEEDLE BAR BALL BUSHING (UPPER) SOCKET	X	X	X	X
27 446355-001	NEEDLE BAR BALL BUSHING (UPPER)	X	X	X	X
28 353521	NEEDLE BAR VIBRATING BRACKET (PLASTIC)	X	X	X	X
29 446260	THREAD TAKE-UP STUD	X	X	X	X
30 445486	THREAD TAKE-UP STUD RETAINING RING	X	X	X	X
31 543531	THREAD TAKE-UP STUD THRUST WASHER	X	X	X	X
32 445672	THREAD TAKE-UP LEVER COMPLETE	X	X	X	X

5600 series, 5700 series
P/N 357655-001

Adopt.

PART LIST
NEEDLE BAR, PRESSER BAR & THREAD TAKE-UP(CONT.)

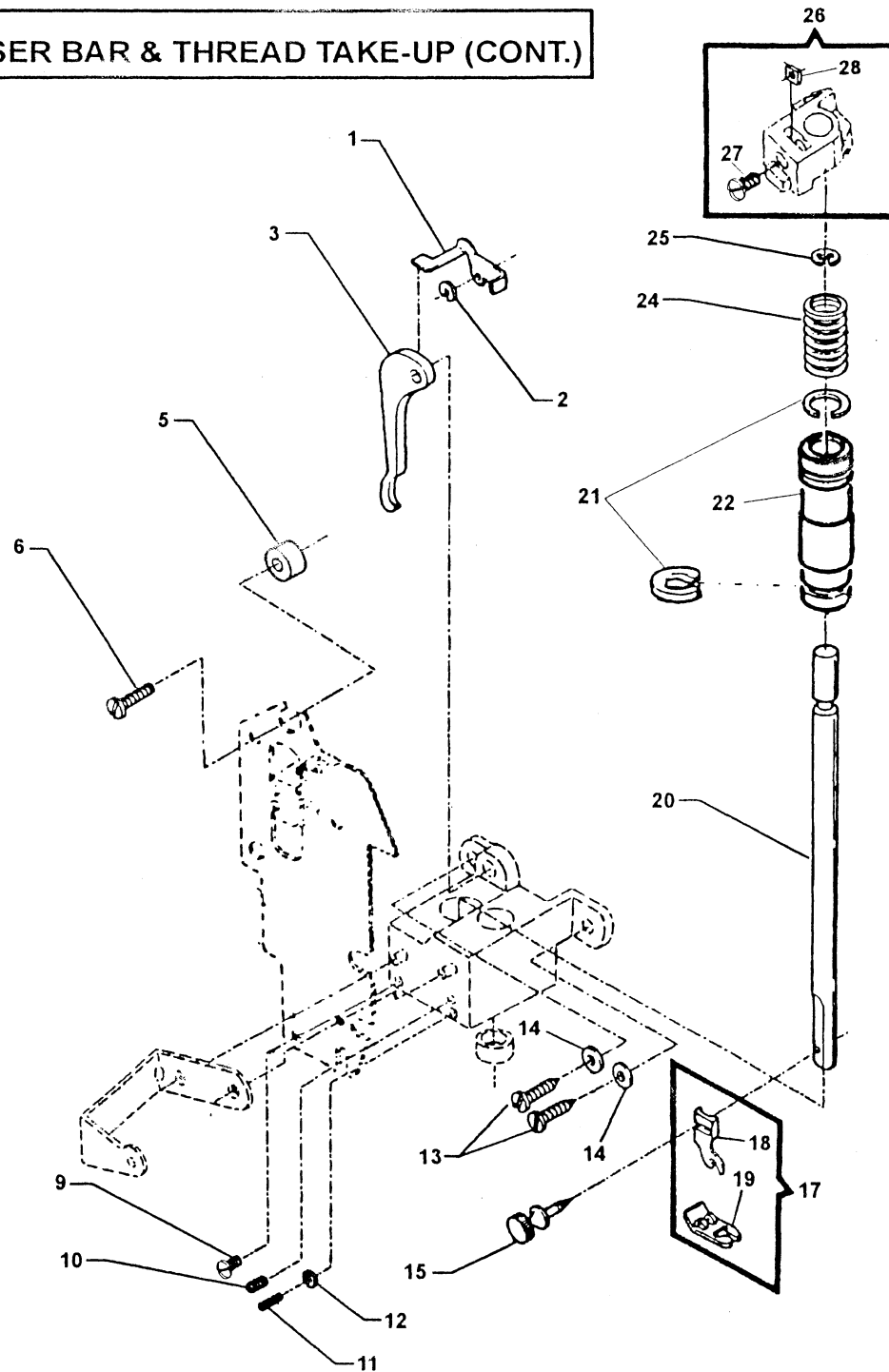
REF. P/N	DESCRIPTION	5	5	5	5
		6	6	7	7
		0	1	0	1
		5	0	5	0
33 446357	NEEDLE BAR CONNECTING LINK	X	X	X	X
34 446261	THREAD TAKE-UP STUD WITH RETAINING RING	X	X	X	X
35 357430	NEEDLE CLAMP BODY WITH SCREW	X	X	X	X
36 113480-451	NEEDLE BAR, PRESSER BAR & VIBRATING BRACKET HOUSING PLATE MOUNTING SCREW	X	X	X	X

REF.	NEW P/N	IN PLACE OF	IMPLEMENTATION DATE
01	357360-000	356599-000	01/26/98
04	141920-455	141920-453	10/21/97

5600 series, 5700 series
P/N 357655-001

Adopt.

NEEDLE BAR, PRESSER BAR & THREAD TAKE-UP (CONT.)



REV: _____
DATA: _JAN/99_

PART LIST
NEEDLE BAR, PRESSER BAR & THREAD TAKE-UP

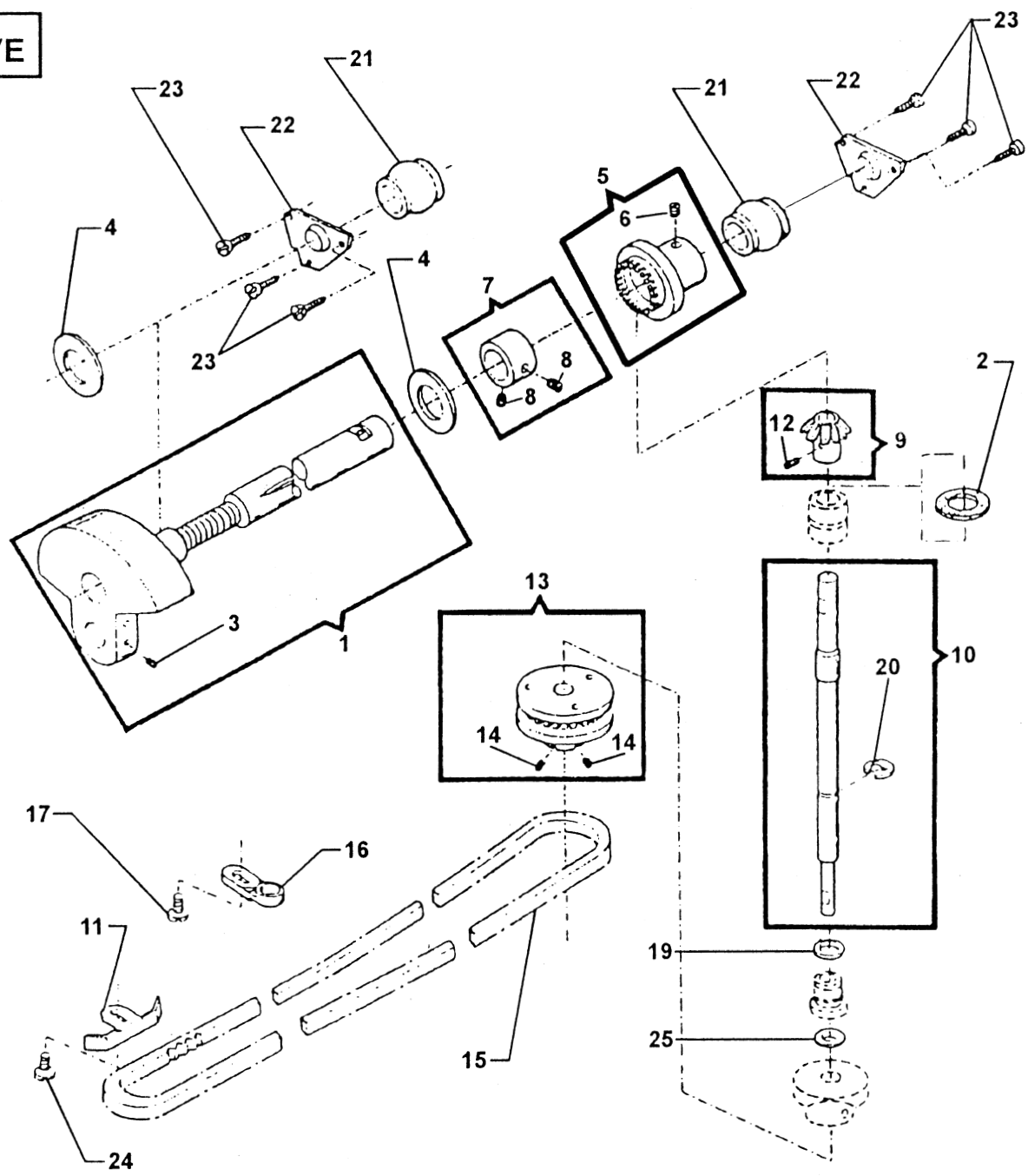
REF. P/N	DESCRIPTION	5	5	5	5
		6	6	7	7
		0	1	0	1
		5	0	5	0
01 445925	TENSION RELEASING LEVER	X	X	X	X
02 445486	TENSION RELEASING LEVER RETAINING RING	X	X	X	X
03 356170-451	PRESSER BAR LIFTER (PLASTIC)	X	X	X	X
05 531627	NEEDLE BAR VIBRATING BRACKET MOUNTING BUSHING	X	X	X	X
06 113455-009	NEEDLE BAR VIBRATING BRACKET MOUNTING BUSHING SCREW	X	X	X	X
09 354906-451	PRESSER BAR BUSHING SCREW	X	X	X	X
10 355279-451	NEEDLE BAR BALL BUSHING SCREW	X	X	X	X
11 354993-451	NEEDLE BAR STOP SCREW	X	X	X	X
12 54591-451	NEEDLE BAR STOP SCREW NUT	X	X	X	X
13 113434-451	NEEDLE BAR VIBRATING BRACKET SET SCREW	X	X	X	X
14 353375-451	NEEDLE BAR VIBRATING BRACKET SET SCREW NUT	X	X	X	X
15 354135-452	PRESSER BAR THUMB SCREW	X	X	X	X
17 446372	PRESSER FOOT WITH SHANK FOR ZIG-ZAG SEWING	X	X	X	X
18 155964	PRESSER BAR SHANK	X	X	X	X
19 446371	PRESSER FOOT FOR ZIG-ZAG SEWING	X	X	X	X
20 357602	PRESSER BAR	X	X	X	X
21 357604	PRESSER BAR BUSHING RETAINING RING	X	X	X	X
22 445947-001	PRESSER BAR BUSHING	X	X	X	X
23 357604	PRESSER BAR SPRING RETAINING RING	X	X	X	X
24 357362	PRESSER BAR SPRING	X	X	X	X
25 353215	RETAINING RING	X	X	X	X
26 357363	PRESSER BAR GUIDE COMPLETE	X	X	X	X
27 355279-451	PRESSER BAR GUIDE BRACKET SET SCREW	X	X	X	X
28 353367-451	PRESSER BAR GUIDE BRACKET NUT	X	X	X	X

REF.	NEW P/N	IN PLACE OF	IMPLEMENTATION DATE
04	-----	446354-451	03/10/97
10	355279-451	141938-833	01/26/98
16	-----	141925-833	01/26/98
20	357602	314638	01/26/98
21	357604	353252	03/10/97
24	357362	353214	01/26/98
26	357363	353212	01/26/98

5600 series, 5700 series
P/N 357655-001

Adopt.

ARM SHAFT DRIVE



REV.: _____
DATE: _JAN/99_

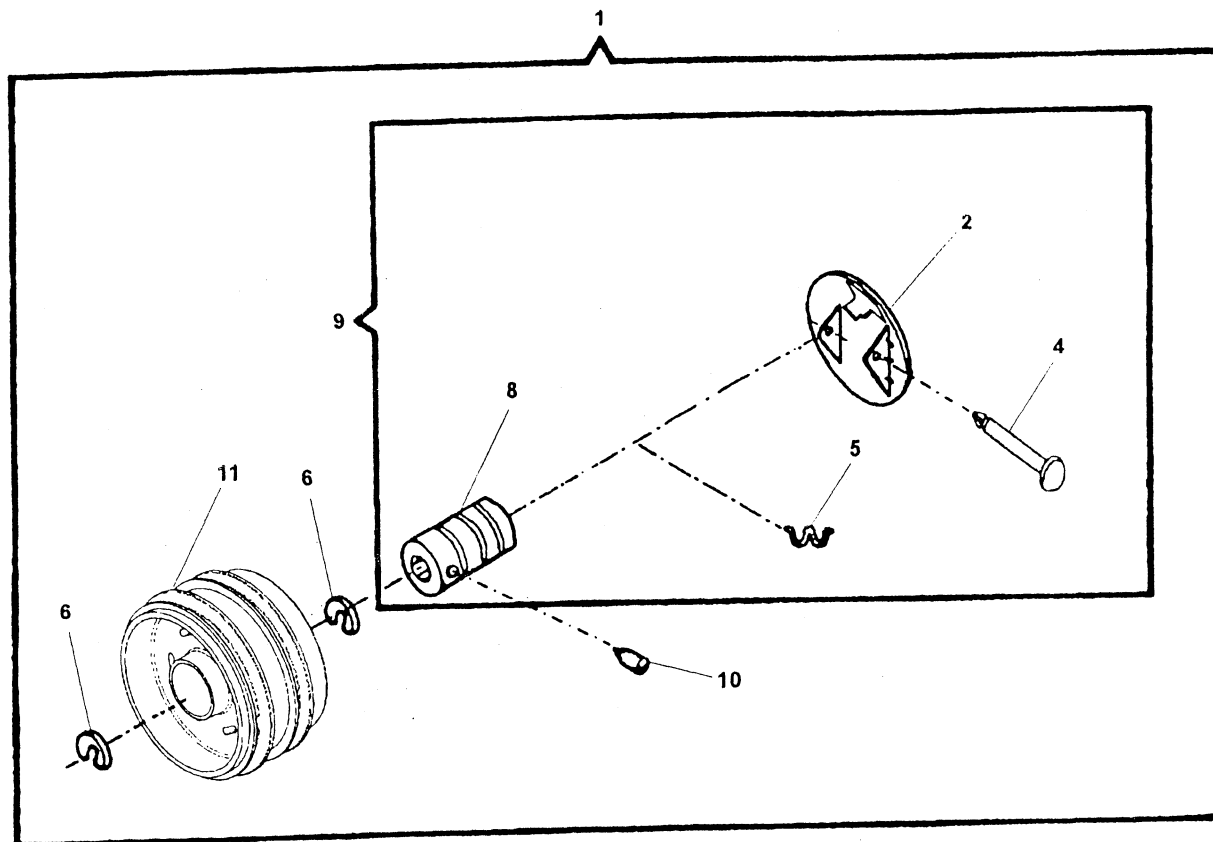
PART LIST
ARM SHAFT DRIVE

REF. P/N	DESCRIPTION	5	5	5	5
		6	6	7	7
		0	1	0	1
		5	0	5	0
01	531684				
	ARM SHAFT (HORIZONTAL) COMPLETE	X	X	X	X
02	356819				
	ARM SHAFT (UPRIGHT) FELT WASHER	X	X	X	X
03	354105-833				
	NEEDLE BAR CRANK POSITION SET SCREW	X	X	X	X
04	319764				
	ARM SHAFT (HORIZONTAL) RETAINING COLLAR WASHER	X	X	X	X
05	353272				
	ARM SHAFT (HORIZONTAL) BEVEL GEAR (PLASTIC)	X	X	X	X
06	354813-451				
	ARM SHAFT (HORIZONTAL) BEVEL GEAR & FEED LIFTING (ECCENT) SET SCREW	X	X	X	X
07	353580				
	ARM SHAFT (HORIZONTAL) RETAINING COLLAR COMPLETE	X	X	X	X
08	113500-451				
	ARM SHAFT (HORIZONTAL) RETAINING COLLAR SET SCREW	X	X	X	X
09	353273-002				
	ARM SHADT BEVEL GEAR (UPRIGHT) COMPLETE	X	X	X	X
10	179952-002				
	ARM SHAFT (UPRIGHT)	X	X	X	X
11	446376				
	BELT RETAINER (LEFT)	X	X	X	X
12	354105-833				
	ARM SHAFT (UPRIGHT) BEVEL GEAR (PLASTIC) SET SCREW	X	X	X	X
13	353438-001				
	ARM SHAFT (UPRIGHT) BELT DRIVE PULLEY COMPLETE	X	X	X	X
14	354906-451				
	ARM SHAFT (UPRIGHT) BELT DRIVE PULLEY SET SCREW	X	X	X	X
15	446237				
	BELT (ROTATING HOOK DRIVE)	X	X	X	X
16	357461				
	ROTATING HOOK DRIVE BELT TENSION ADJUSTER (PLASTIC)	X	X	X	X
17	113453-003				
	ROTATING HOOK DRIVE BELT TENSION SCREW	X	X	X	X
19	353394				
	ARM SHAFT (UPRIGHT) RETAINING RING WASHER	X	X	X	X
20	353215				
	ARM SHAFT (UPRIGHT) RETAINING RING	X	X	X	X
21	446384				
	ARM SHAFT BUSHING (LEFT & RIGHT)	X	X	X	X
22	446385				
	ARM SHAFT BUSHING RETAINING PLATE (LEFT & RIGHT)	X	X	X	X
23	113455-001				
	ARM SHAFT BUSHING RETAINING BRACKET SCREW	X	X	X	X
24	113455-001				
	BELT RETAINER (LEFT) SCREW	X	X	X	X
25	319826				
	ARM SHAFT (UPRIGHT) BELT DRIVE PULLEY WASHER	X	X	X	X

5600 series, 5700 series
P/N 357655-001

Adopt.

HAND WHEEL



REV: _____
DATE: JAN/99

PART LIST
HAND WHEEL

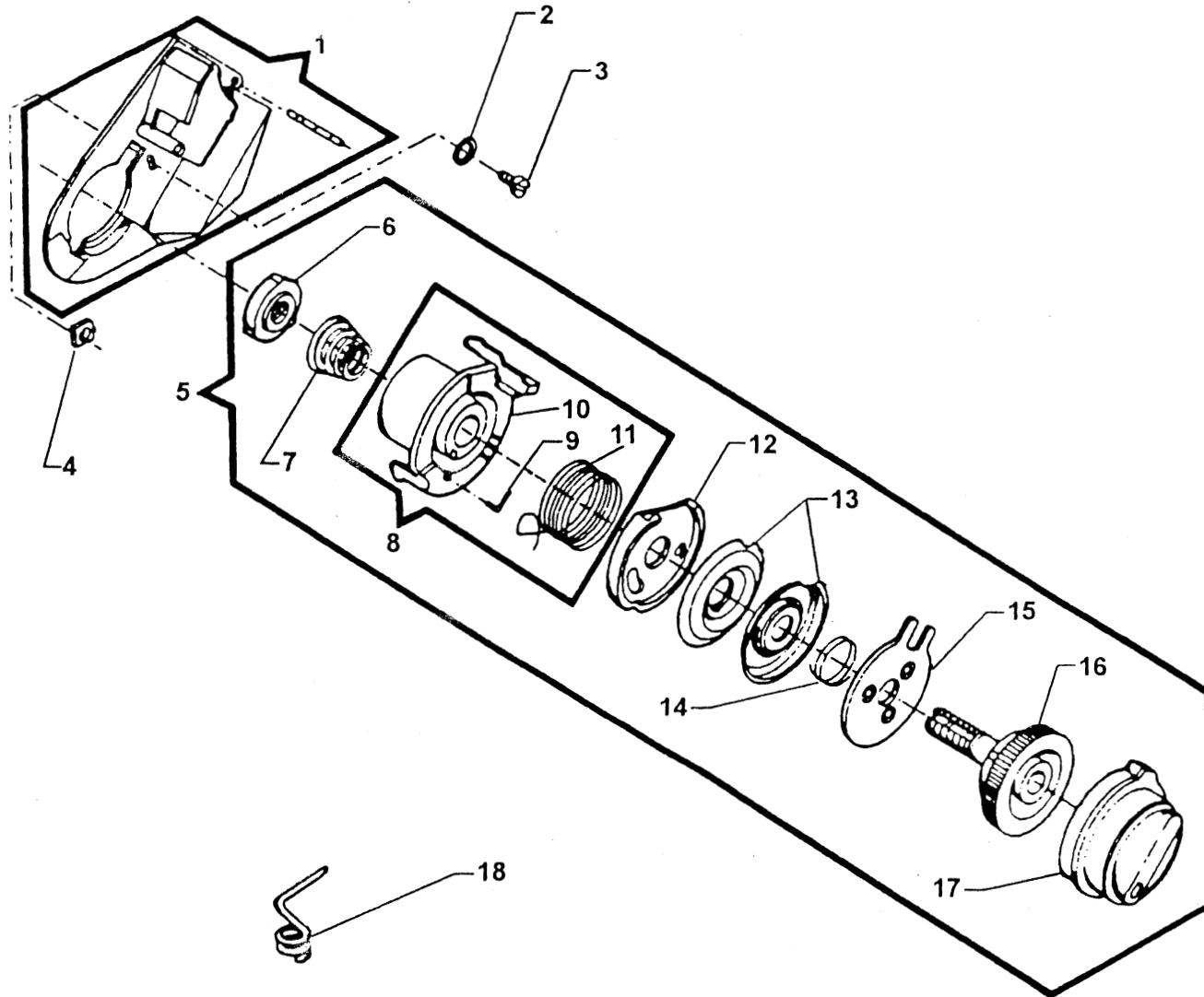
5 5 5 5
6 6 7 7
0 1 0 1
5 0 5 0

REF. P/N	DESCRIPTION				
01 357395-451	HAND WHEEL COMPLETE	X	X	X	X
02 357367-901	HAND WHEEL DISENGAGING CLUTCH ENGAGING PLATE COVER	X	X	X	X
04 357364	HAND WHEEL DISENGAGING CLUTCH ENGAGING PLATE HINGE PIN	X	X	X	X
05 357365	HAND WHEEL DISENGAGING CLUTCH ACTUATING SPRING	X	X	X	X
06 446387	HAND WHEEL RETAINING RING	X	X	X	X
08 357359	HAND WHEEL DISENGAGING CLUTCH BUSHING	X	X	X	X
09 357368-452	HAND WHEEL DISENGAGING CLUTCH BUSHING COMPLETE	X	X	X	X
10 354813-451	HAND WHEEL DISENGAGING CLUTCH BUSHING SCREW	X	X	X	X
11 357396-451	HAND WHEEL	X	X	X	X

5600 series, 5700 series
P/N 357655-001

Adopt.

TENSION MECHANISM



REV: _____
DATE: _JAN/99_

PART LIST
TENSION MECHANISM

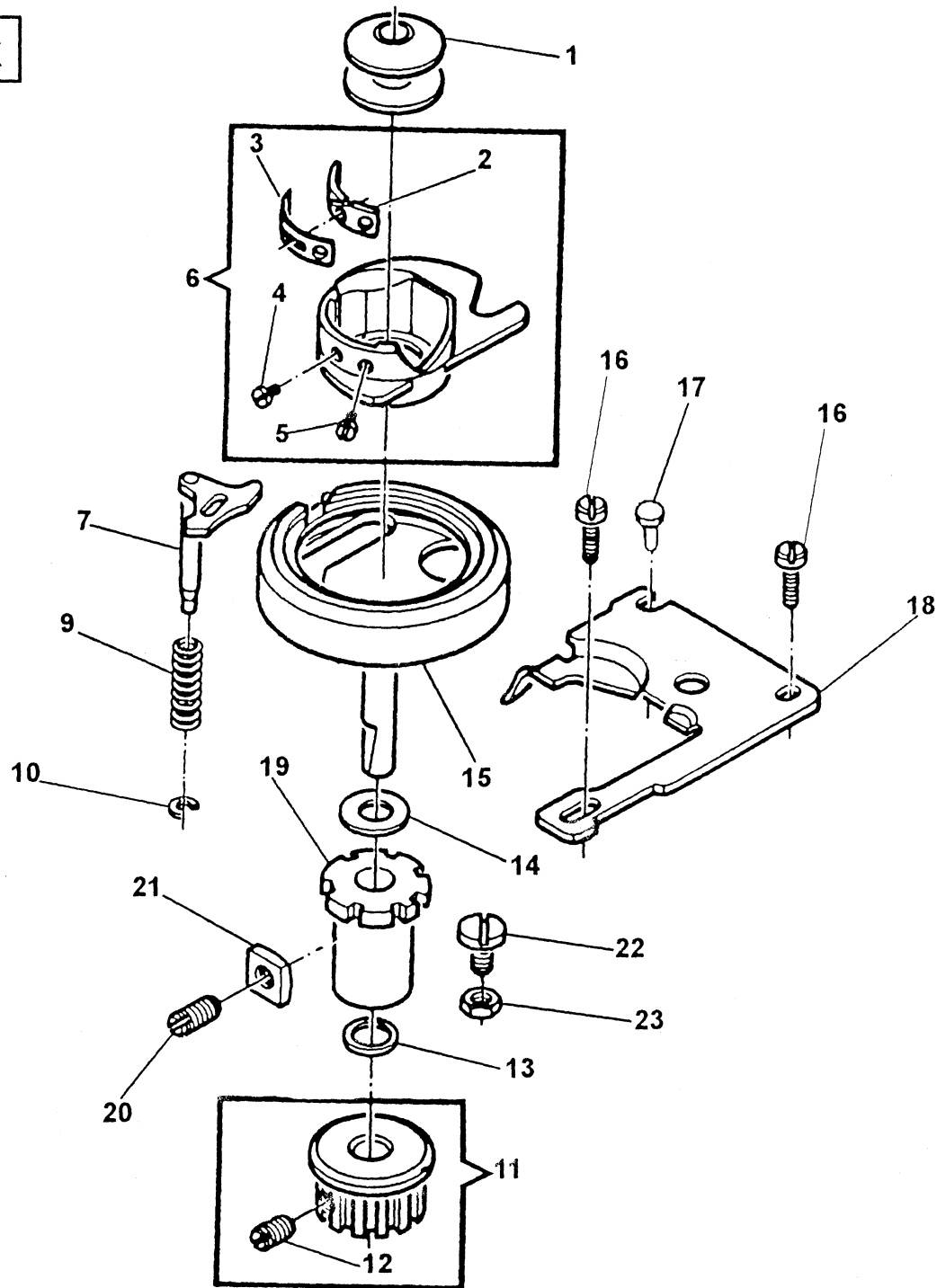
5 5 5 5
6 6 7 7
0 1 0 1
5 0 5 0

REF. P/N	DESCRIPTION				
01	356040-452	TENSION MECHANISM SHROUDER ASSEMBLY	X	X	X X
02	356443	TENSION MECHANISM SHROUDER SECREW WASHER	X	X	X X
03	141808-457	TENSION THREAD GUIDE SCREW	X	X	X X
04	514698-451	TENSION THREAD GUIDE SCREW NUT	X	X	X X
05	356088-457	TENSION MECHANISM SUPPORT ASSEMBLY	X	X	X X
06	356095	TENSION STUD NUT	X	X	X X
07	356096	TENSION SPRING	X	X	X X
08	356245	TENSION MECHANISM SUPPORT ASSEMBLY	X	X	X X
09	356246-900	TENSION MECHANISM SUPPORT PIN	X	X	X X
10	356089	TENSION MECHANISM SUPPORT	X	X	X X
11	356097	THREAD TAKE-UP SPRING	X	X	X X
12	356091	THREAD TAKE-UP SPRING THREAD GUARD	X	X	X X
13	356094	TENSION DISC	X	X	X X
14	356216	TENSION DISC PRESSURE PLATE SPRING	X	X	X X
15	356177	TENSION DISC PRESSURE PLATE	X	X	X X
16	356092-451	TENSION INDICATOR WITH STUD	X	X	X X
17	356090-457	TENSION INDICATOR DIAL	X	X	X X
18	445784	THREAD GUIDE (LOWER)	X	X	X X

5600 series, 5700 series
P/N 357655-001

Adopt.

ROTATING HOOK



REV.: _____
DATE: _JAN/99_

PART LIST
HOOK SYSTEM

5 5 5 5
6 6 7 7
0 1 0 1
5 0 5 0

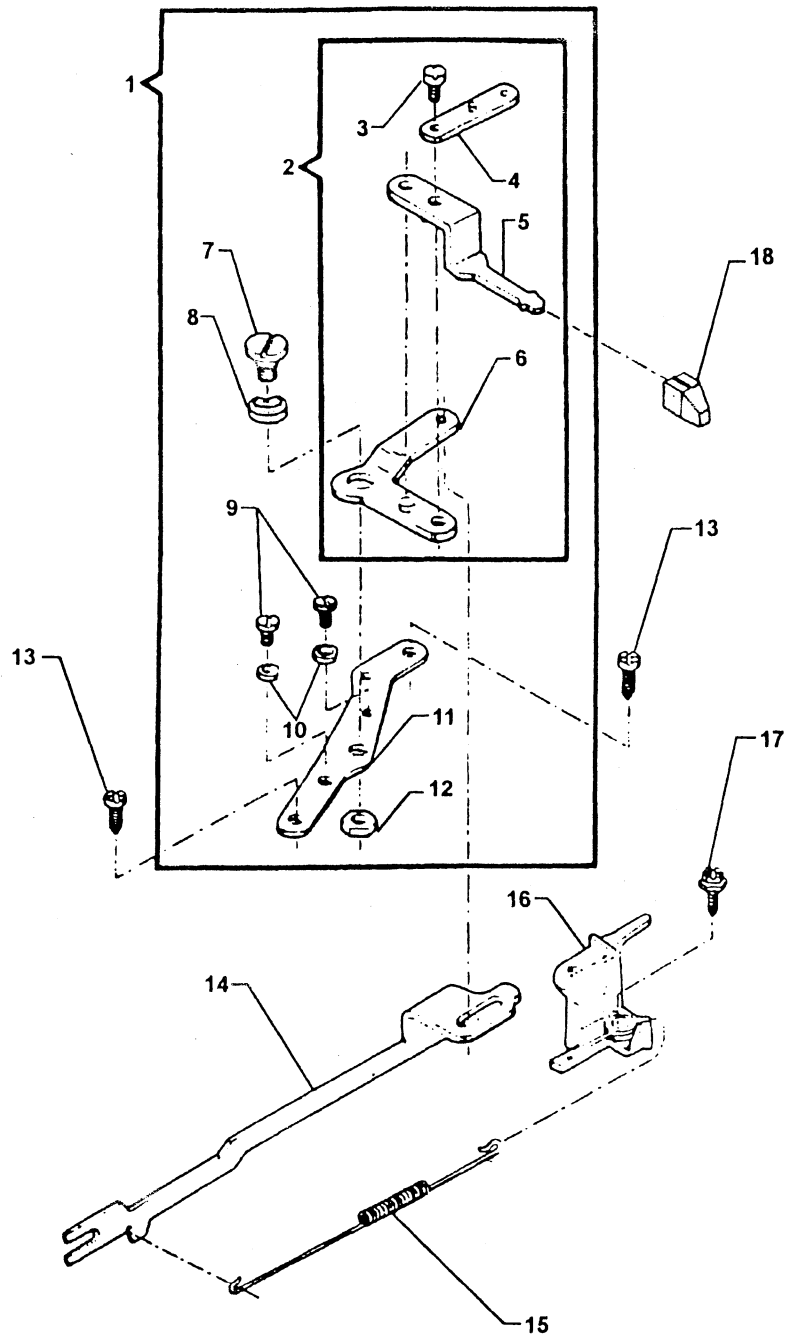
REF.	P/N	DESCRIPTION				
01	172336	BOBBIN (PLASTIC)	X	X	X	X
02	356490-451	ROTATING HOOK BOBBIN CASE TENSION SPRING SEGMENT	X	X	X	X
03	314715	ROTATING HOOK BOBBIN CASE TENSION SPRING	X	X	X	X
04	355254-451	ROTATING HOOK BOBBIN CASE TENSION SPRING SET SCREW	X	X	X	X
05	139975-452	ROTATING HOOK BOBBIN CASE TENSION SPRING SEGMENT SCREW	X	X	X	X
06	421325	ROTATING HOOK BOBBIN CASE COMPLETE	X	X	X	X
07	353511	ROTATING HOOK BELT BOBBIN CASE RETAINING PLATE ASSEMBLY	X	X	X	X
09	44892	ROTATING HOOK BOBBIN CASE RETAINING PLATE STUD SPRING	X	X	X	X
10	446417	ROTATING HOOK BOBBIN CASE RETANING PLATE RING	X	X	X	X
11	446235	ROTATING HOOK BELT DRIVE PULLEY COMPLETE	X	X	X	X
12	141803-451	ROTATING HOOK BELT DRIVE PULLEY SET SCREW	X	X	X	X
13	382861-906	THRUST WASHER	X	X	X	X
14	353453	THRUST WASHER	X	X	X	X
15	353366	ROTATING HOOK	X	X	X	X
16	354917-451	ROTATING HOOK BOBBIN CASE POSITION PLATE SCREW	X	X	X	X
17	357349-451	ROTATING HOOK BOBBIN CASE RETAINING PLATE (ADJUSTABLE & POSITION PLATE) STUD	X	X	X	X
18	44873-001	ROTATING HOOK BOBBIN CASE POSITION PLATE	X	X	X	X
19	353410-900	ROTATING HOOK FLANGED BUSHING (ECCENTRIC)	X	X	X	X
20	141938-833	ROTATING HOOK FLANGED BUSHING SET SCREW	X	X	X	X
21	353367-451	ROTATING HOOK FLANGED BUSHING SCREW NUT	X	X	X	X
22	141844-451	ROTATING HOOK FLANGED BUSHING (ECCENTRIC) POSITIONING ADJUSTING SCREW	X	X	X	X
23	618638-005	ROTATING HOOK FLANGED BUSHING (ECCENTRIC) POSITIONING ADJUSTING SCREW NUT (INSERT)	X	X	X	X

REF.	NEW P/N	IN PLACE OF	IMPLEMENTATION DATE
04	355254-451	354183-452	08/15/97
23	618638-005	44502-900	08/25/97

5600 series, 5700 series
P/N 357655-001

Adopt.

BIGHT AMPLITUDE



REV.: _____
DATE: JAN/99 _____

PART LIST
BIGHT AMPLITUDE

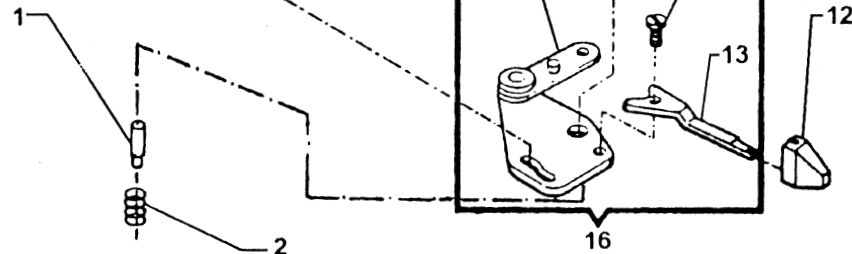
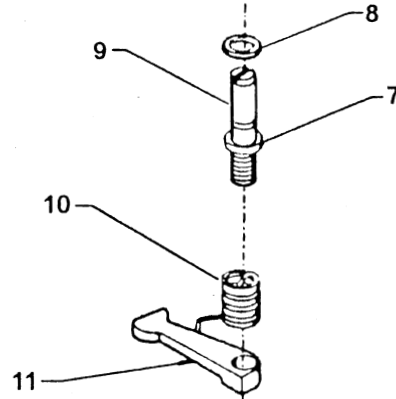
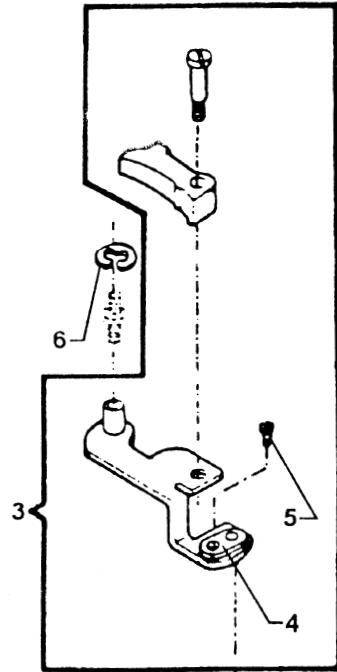
5 5 5 5
6 6 7 7
0 1 0 1
5 0 5 0

REF. P/N	DESCRIPTION				
01 356113	BIGHT AMPLITUDE CONTROL LEVER MOUNTING BRACKET COMPLETE	X	X	X	X
03 139866-451	BIGHT AMPLITUDE CONTROL LEVER SCREW	X	X	X	X
04 44556	BUTTONHOLER BIGHT CONTROL CAM FOLLOWER LEVER LINK (LEFT)	X	X	X	X
05 356061	BIGHT AMPLITUDE CONTROL LEVER	X	X	X	X
06 37246	BIGHT AMPLITUDE CONTROL LEVER LINK	X	X	X	X
07 354825-451	BIGHT AMPLITUDE CONTROL LEVER LINK HINGE SCREW	X	X	X	X
08 49204	BIGHT AMPLITUDE CONTROL LEVER LINK HINGE FRICTION WASHER	X	X	X	X
09 141913-451	BIGHT AMPLITUDE CONTROL LEVER LINK STOP SCREW	X	X	X	X
10 446904	BIGHT AMPLITUDE CONTROL LEVER LINK STOP	X	X	X	X
11 531793	BIGHT AMPLITUDE CONTROL LEVER MOUNTING BRACKET	X	X	X	X
12 54591-451	BIGHT AMPLITUDE CONTROL LEVER LINK SCREW NUT	X	X	X	X
13 113455-001	BIGHT AMPLITUDE CONTROL LEVER MOUNTING BRACKET SCREW (LEFT & RIGHT)	X	X	X	X
14 37933-002	NEEDLE BAR DRIVING ARM	X	X	X	X
15 37942	NEEDLE BAR DRIVING ARM TENSION SPRING	X	X	X	X
16 445780	LIGHT LEAD SHIELD & NEEDLE BAR DRIVING ARM TENSION SPRING MOUNTING PLATE	X	X	X	X
17 113455-001	LIGHT LEAD SHIELD & NEEDLE BAR DRIVING ARM TENSION SPRING MOUNTING PLATE SCREW	X	X	X	X
18 356204-453	BIGHT AMPLITUDE CONTROL LEVER KNOB	X	X	X	X

5600 series, 5700 series
P/N 357655-001

Adopt.

NEEDLE POSITION



REV: _____
DATE: _JAN/99_

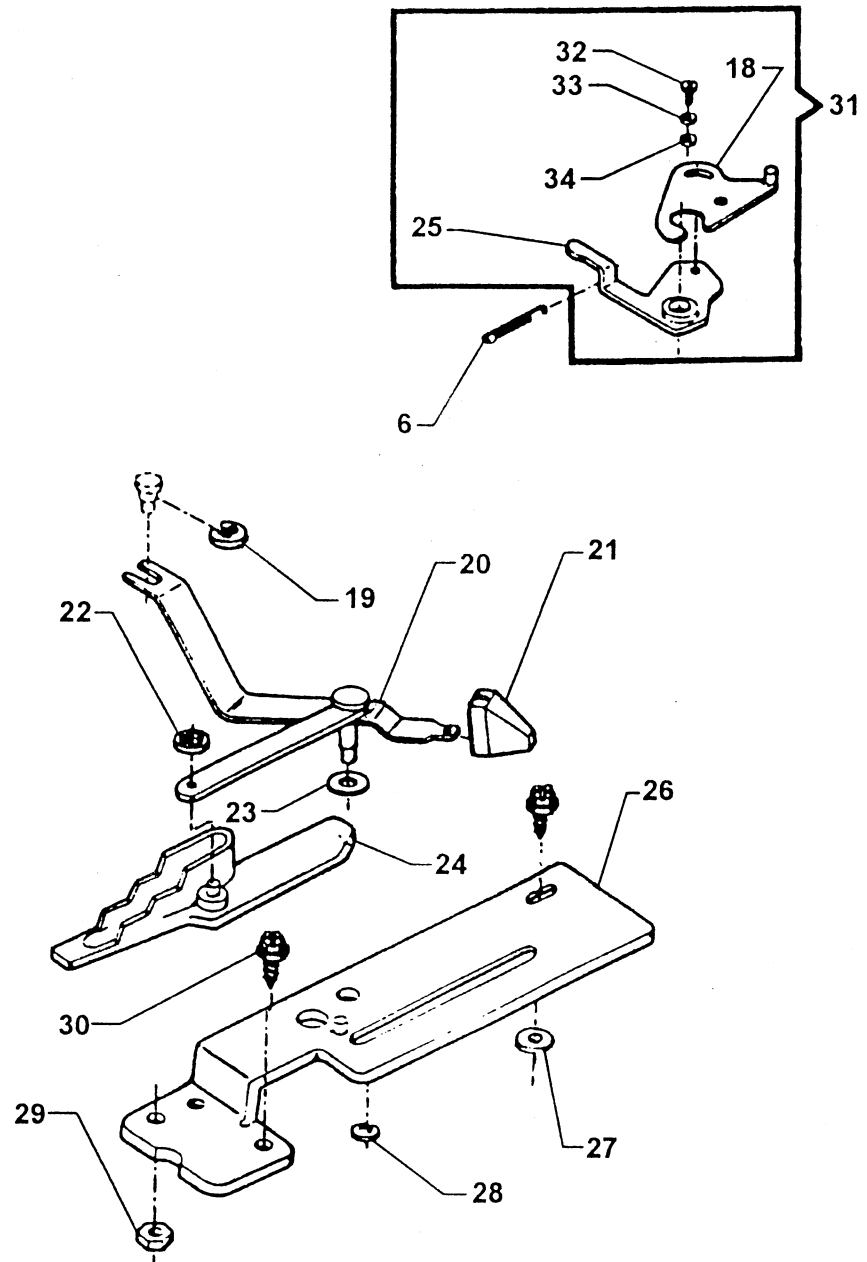
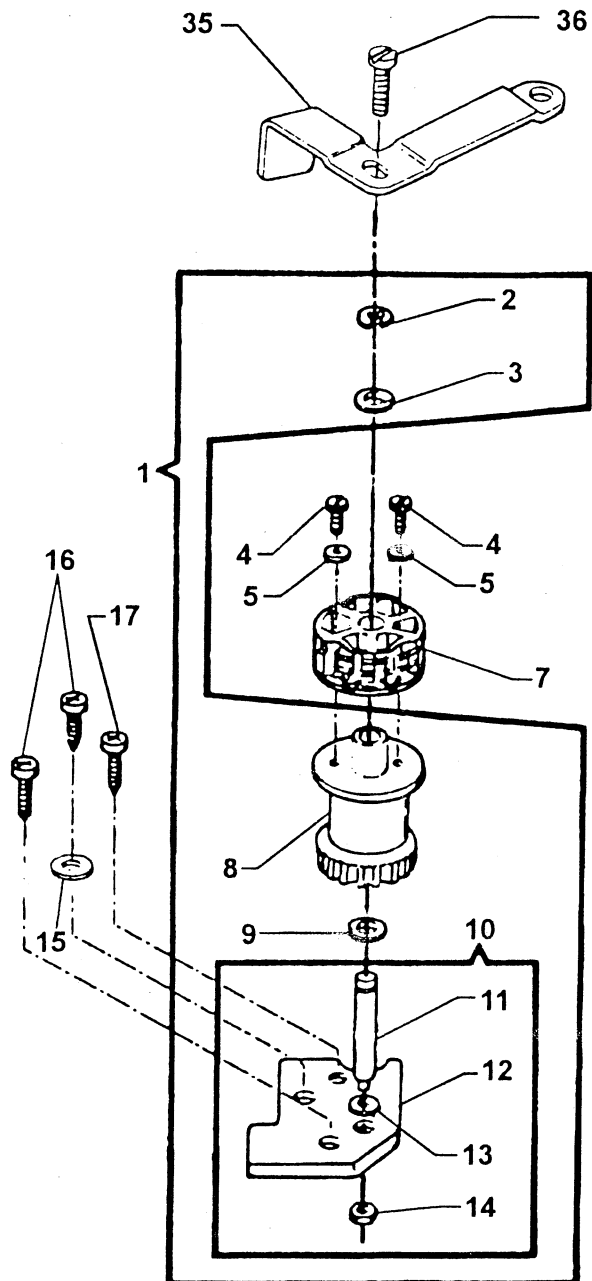
PART LIST
NEEDLE POSITION

REF. P/N	DESCRIPTION	5 5 5 5
		6 6 7 7
		0 1 0 1
		5 0 5 0
01 356228	NEEDLE POSITION SELECTOR LEVER BRACKET POSITIONING PIN	X X X X
02 444800	NEEDLE POSITION SELECTOR LEVER BRACKET POSITIONING PIN SPRING	X X X X
03 356636	NEEDLE BAR DRIVING ARM SLIDE BRACKET ASSEMBLY	X X X X
04 531736	NEEDLE BAR DRIVING ARM SLIDE BRACKET WITH BUSHING	X X X X
05 141913-451	NEEDLE POSITION LEVER BRACKET STUD SET SCREW	X X X X
06 445721	NEEDLE BAR VIBRATING BRACKET HINGE PIN RETAINING RING	X X X X
07 353585	DISC FOLLOWER STUD COLLAR	X X X X
08 353548	DISC FOLLOWER STUD WASHER	X X X X
09 353584	DISC FOLLOWER STUD	X X X X
10 179897	DISC FOLLOWER SPRING	X X X X
11 446404	DISC FOLLOWER (MACHINED)	X X X X
12 356204-453	NEEDLE POSITION SELECTOR LEVER KNOB	X X X X
13 356065	NEEDLE POSITION SELECTOR LEVER	X X X X
14 141913-451	NEEDLE POSITION SELECTOR LEVER SCREW	X X X X
15 44628	NEEDLE POSITION SELECTOR LEVER BRACKET ASSEMBLY	X X X X
16 356062	NEEDLE POSITION SELECTOR LEVER BRACKET COMPLETE	X X X X

5600 series, 5700 series
P/N 357655-001

Adopt.

DISC SELECTOR ASSEMBLY & CAM STACK



REV.: _____
 DATE: _JAN/99_

PART LIST
DISC SELECTOR ASSEMBLY & CAM STACK

5 5 5 5
6 6 7 7
0 1 0 1
5 0 5 0

REF. P/N	DESCRIPTION	
01 353288-930	DISC DRIVING GEAR COMPLETE	X - X -
01 353288-931	DISC DRIVING GEAR COMPLETE	- X - X
02 444921	DISC DRIVING GEAR RETAINING RING	X X X X
03 444923-453	DISC DRIVING GEAR SHAFT FRICTION WASHER	X X X X
04 141920-451	DISC STACK POSITIONING SCREW	X X X X
05 446138	DISC STACK POSITIONING SCREW WASHER	X X X X
06 446415	DISC FOLLOWER DISENGAGING LEVER SPRING	X X X X
07 353287	DISC STACK	X X X X
08 445754	DISC DRIVING GEAR	X X X X
09 353424	DISC DRIVING GEAR SHAFT WASHER SPRING	X X X X
10 446420	DISC DRIVING GEAR SHAFT MOUNTING PLATE ASSEMBLY	X - X -
10 446420-001	DISC DRIVING GEAR SHAFT MOUNTING PLATE ASSEMBLY	- X - X
11 446418	DISC DRIVING GEAR SHAFT	X - X -
11 446418-001	DISC DRIVING GEAR SHAFT	- X - X
12 353575	DISC DRIVING GEAR SHAFT MOUNTING PLATE	X X X X
13 353488	DISC DRIVING GEAR SHAFT WASHER	X X X X
14 53648-451	DISC DRIVING GEAR SHAFT NUT	X X X X
15 353375-451	DISC DRIVING GEAR SHAFT MOUNTING PLATE SCREW WASHER	X X X X
16 113435-451	DISC DRIVING GEAR SHAFT MOUNTING PLATE SCREW	X X X X
17 113455-001	DISC DRIVING GEAR SHAFT MOUNTING PLATE SCREW	X X X X
18 446411	DISC FOLLOWER DISENGAGING LEVER PLATE ASSEMBLY	X X X X
19 445486	PATTERN SELECTOR LEVER RETAINING RING	X X X X
20 356069	PATTERN SELECTOR LEVER COMPLETE	X X X X
21 356204-453	PATTERN SELECTOR LEVER KNOB	X X X X
22 446417	PATTERN SELECTOR CAM SLIDE CONNECTING LINK RETAINING RING	X X X X
23 446138	PATTERN SELECTOR LEVER DRIVE STUD WASHER	X X X X
24 446406	PATTERN SELECTOR CAM SLIDE	X X X X
25 446412	DISC FOLLOWER DISENGAGING LEVER	X X X X
26 446405	PATTERN SELECTOR MOUNTING PLATE COMPLETE	X X X X
27 353488	PATTERN SELECTOR MOUNTING PLATE SPACER	X X X X
28 408030	PATTERN SELECTOR LEVER RETAINING RING	X X X X
29 54591-451	DISC FOLLOWER STUD NUT	X X X X
30 113455-001	PATTERN SELECTOR MOUNTING PLATE SCREW	X X X X
31 446410	DISC FOLLOWER DISENGAGING LEVER PLATE ASSEMBLY	X X X X

5600 series, 5700 series
P/N 357655-001

Adopt.

PART LIST
DISC SELECTOR ASSEMBLY & CAM STACK(CONT.)

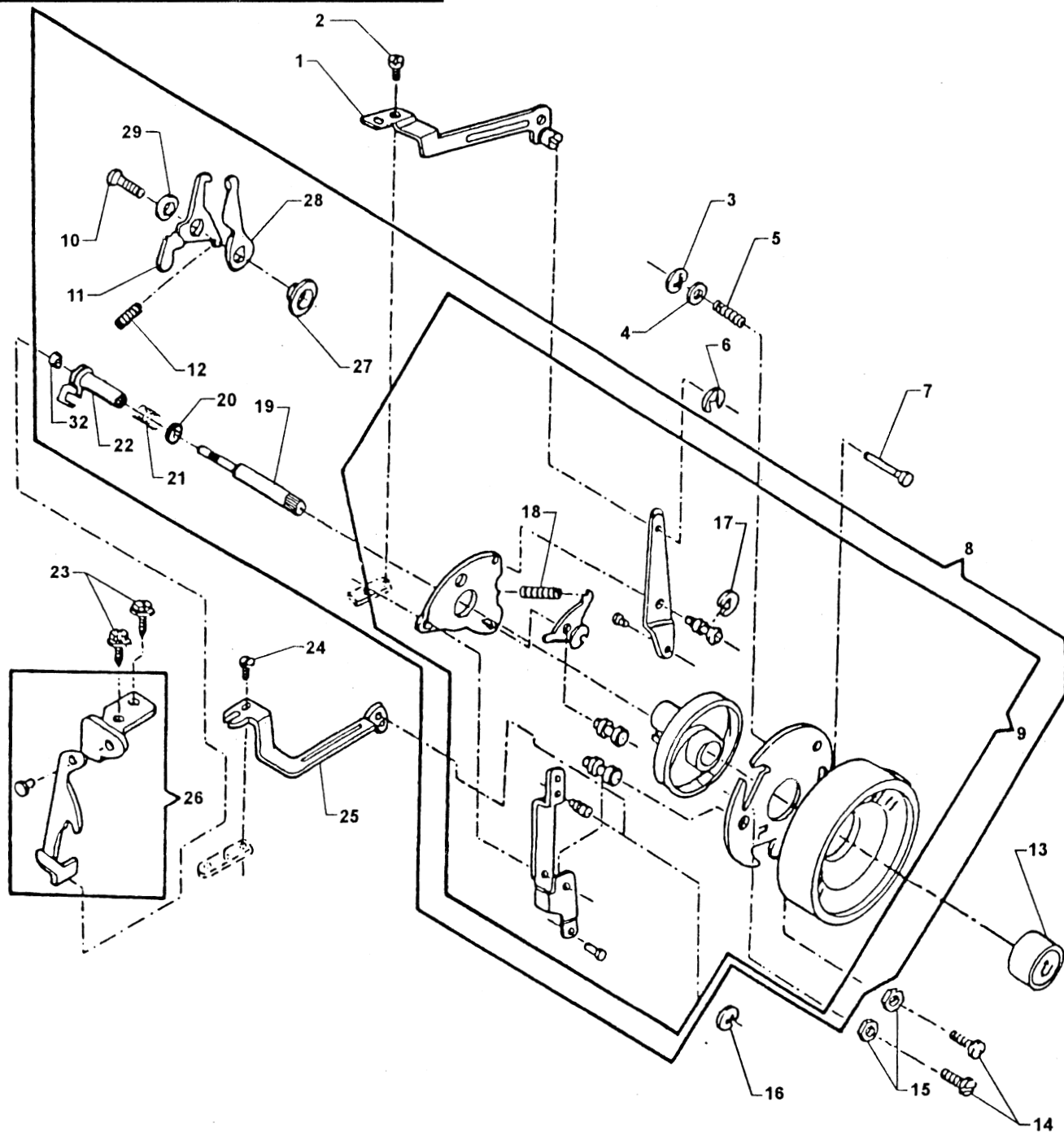
5 5 5 5
 6 6 7 7
 0 1 0 1
 5 0 5 0

REF. P/N	DESCRIPTION				
32 141913-451	DISC FOLLOWER DISENGAGING LEVER PLATE ADJUSTING SCREW	X	X	X	X
33 445808	DISC FOLLOWER DISENGAGING LEVER PLATE ADJUSTING SCREW WASHER	X	X	X	X
34 356830-001	DISC FOLLOWER DISENGAGING LEVER PLATE ADJUSTING SCREW WASHER	X	X	X	X
35 353440-900	DISC DRIVING GEAR (COMPLETE) SUPPORT BRACKET	-	X	-	X
36 354654-451	DISC DRIVING GEAR (COMPLETE) SUPPORT BRACKET MOUNTING SCREW	-	X	-	X

5600 series, 5700 series
P/N 357655-001

Adopt.

BUTTONHOLER & FEED REGULATOR CAM



REV: _____
 DATA: _JAN/99_____

PART LIST
BUTTONHOLER & FEED REGULATOR CAM(CONT.)

5 5 5 5
6 6 7 7
0 1 0 1
5 0 5 0

REF. P/N	DESCRIPTION				
21 44892	FEED REGULATOR POSITIONING PIN FRICTION SPRING	X	X	X	X
22 357094	FEED REGULATOR POSITIONING PIN CARRIER	X	X	X	X
23 113455-001	FEED REGULATOR CONTROL ARM MOUNTING BRACKET SCREW	X	X	X	X
24 141913-451	BUTTONHOLER BIGHT CONTROL CAM FOLLOWER LEVER LINK (LEFT & RIGHT) SCREW	X	X	X	X
25 356081	BUTTONHOLER BIGHT CONTROL CAM FOLLOWER LEVER LINK (RIGHT)	X	X	X	X
26 353304	FEED REGULATOR CONTROL ARM ASSEMBLY	X	X	X	X
27 353319	CAM CONTROL FEED ENGAGING CAM FOLLOWER & LEVER BUSHING	-	X	-	X
28 353321	CAM CONTROL FEED ENGAGING CAM FOLLOWER LEVER	-	X	-	X
29 445539	CAM CONTROL FEED ENGAGING CAM FOLLOWER & LEVER WASHER	-	X	-	X
32 618638-005	FEED REGULATOR POSITIONING PIN CARRIER INSERT NUT	X	X	X	X

NOTE: PLEASE WHEN NEED PART NUMBER (-----XXX), INDICATE THE MACHINE MODEL WHERE WILL BE USED.

5600 series, 5700 series
P/N 357655-001

Adopt.

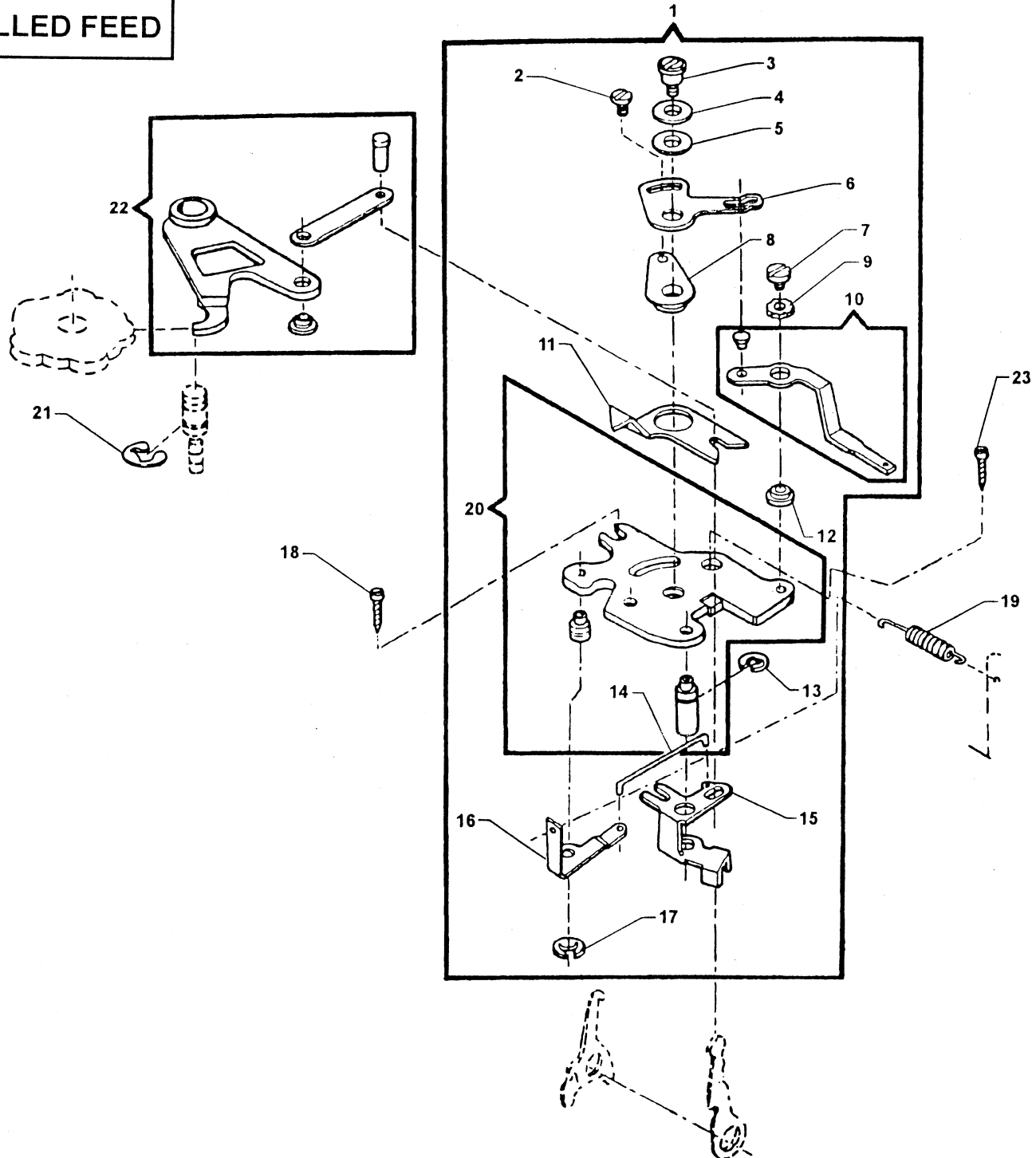
PART LIST
BUTTONHOLER & FEED REGULATOR CAM

REF. P/N	DESCRIPTION	5	5	5	5
		5	6	7	7
		0	1	0	1
		5	0	5	0
01 353536	BUTTONHOLER NEEDLE POSITION CAM FOLLOWER LEVER LINK (RIGHT) ASSEMBLY	X	X	X	X
02 141913-451	BUTTONHOLER NEEDLE POSITION CAM FOLLOWER LEVER LINK (LEFT & RIGHT) SCREW	X	X	X	X
03 408030	BUTTONHOLER & FEED REGULATOR MECHANISM MOUNTING PLATE STUD RETAINING RING	X	X	X	X
04 445808	BUTTONHOLER & FEED REGULATOR MECHANISM MOUNTING PLATE STUD SPRING WASHER	X	X	X	X
05 179949	BUTTONHOLER & FEED REGULATOR MECHANISM MOUNTING PLATE STUD SPRING	X	X	X	X
06 445486	BUTTONHOLER NEEDLE POSITION CAM FOLLOWER LEVER LINK (RIGHT) RETAINING RING	X	X	X	X
07 356230	BUTTONHOLER & FEED REGULATOR MECHANISM MOUNTING PLATE STUD	X	X	X	X
08 356797-XXX	BUTTONHOLER & FEED REGULATOR CAM COMPLETE	X	-	X	-
08 356792-XXX	BUTTONHOLER & FEED REGULATOR CAM COMPLETE	-	X	-	X
09 356798-XXX	BUTTONHOLER & FEED REGULATOR CAM ASSEMBLY	X	-	X	-
09 356793-XXX	BUTTONHOLER & FEED REGULATOR CAM ASSEMBLY	-	X	-	X
10 113372-451	CAM CONTROL FEED ENGAGING CAM FOLLOWER SCREW	-	X	-	X
11 353320	CAM CONTROL FEED ENGAGING CAM FOLLOWER	-	X	-	X
12 353495	BUTTONHOLER & FEED REGULATOR CONTROL DIAL PAWL SPRING	-	X	-	X
13 356653-456	FEED REGULATOR POSITIONING PIN KNOB (HOT STAMPED)	X	X	X	X
14 113513-451	BUTTONHOLER & FEED REGULATOR MECHANISM MOUNTING PLATE SCREW	X	X	X	X
15 53640-819	BUTTONHOLER & FEED REGULATOR MECHANISM MOUNTING PLATE SCREW NUT INSERT	X	X	X	X
16 445486	BUTTONHOLER BIGHT CONTROL CAM FOLLOWER LEVER LINK (RIGHT) RETAINING RING	X	X	X	X
17 353215	BUTTONHOLER NEEDLE POSITION CAM FOLLOWER LEVER RETAINING RING	X	X	X	X
18 353495	BUTTONHOLER & FEED REGULATOR CONTROL DIAL PAWL SPRING	X	X	X	X
19 356650	FEED REGULATOR POSITIONING PIN	X	X	X	X
20 356830-001	FEED REGULATOR POSITIONING PIN WASHER	X	X	X	X

5600 series, 5700 series
P/N 357655-001

Adopt.

CAM CONTROLLED FEED



REV.: _____
DATE: _JAN/99_

PART LIST
CAM CONTROLLED FEED

REF. P/N	DESCRIPTION	5	5	5	5
		6	6	7	7
		0	1	0	1
		5	0	5	0
01 356074	CAM CONTROLLED FEED MOUNTING BRACKET COMPLETE	-	X	-	X
02 141913-451	CAM CONTROLLED FEED BALANCE ADJUSTRING SCREW	-	X	-	X
03 113423-451	CAM CONTROLLED FEED BALANCE ADJUSTING PLATE HINGE SCREW	-	X	-	X
04 543531	CAM CONTROLLED FEED BALANCE ADJUSTING SCREW WASHER	-	X	-	X
05 353492	CAM CONTROLLED FEED BALANCE ADJUSTING SCREW SPRING WASHER	-	X	-	X
06 531754	CAM CONTROLLED FEED BALANCE ADJUSTING PLATE STUD SPRING	-	X	-	X
07 113424-451	CAM CONTROLLED FEED BALANCE ADJUSTING LEVER HINGE SCREW	-	X	-	X
08 353331	CAM CONTROLLED FEED DRIVING ARM ECCENTRIC	-	X	-	X
09 179898-001	CAM CONTROLLED FEED BALANCE ADJUSTING LEVER WASHER	-	X	-	X
10 356076-452	CAM CONTROLLED FEED BALANCE ADJUSTING LEVER ASSEMBLY	-	X	-	X
11 353330-001	CAM CONTROLLED FEED DRIVING ARM	-	X	-	X
12 353334	CAM CONTROLLED FEED BALANCE ADJUSTING LEVER MOUNTING BUSHING	-	X	-	X
13 445721	CAM CONTROLLED FEED ENGAGING CRANK RETAINING RING	-	X	-	X
14 353473	CAM CONTROLLED FEED ENGAGING CRANK LINK	-	X	-	X
15 353329	CAM CONTROLLED FEED ENGAGING CRANK	-	X	-	X
16 356166	CAM CONTROLLED FEED ENGAGING CRANK LEVER	-	X	-	X
17 445486	CAM CONTROLLED FEED FOLLOWER & LINK RETAINING RING	-	X	-	X
18 355243-451	CAM CONTROLLED FEED MOUNTING BRACKET SCREW	-	X	-	X
19 356605	FEED REGULATOR CONTROL ARM BIAS LINK SPRING	-	X	-	X
20 531750	CAM CONTROLLED FEED MOUNTING BRACKET ASSEMBLY	-	X	-	X
21 445486	CAM CONTROLLED FEED FOLLOWER & LINK ASSEMBLY RETAINING RING	-	X	-	X
22 353335	CAM CONTROLLED FEED FOLLOWER & LINK ASSEMBLY	-	X	-	X
23 113455-003	CAM CONTROLLED FEED MOUNTING BRACKET SCREW (RIGHT)	-	X	-	X

5600 series, 5700 series
P/N 357655-001

Adopt.

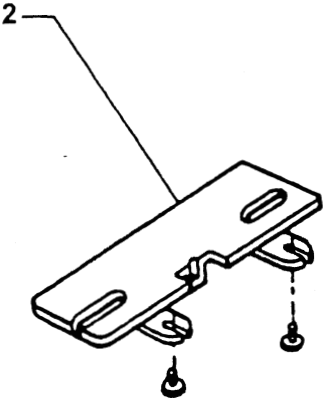
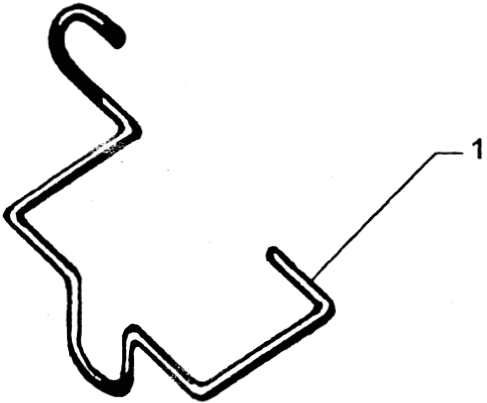
PART LIST
FEED SYSTEM

REF. P/N	DESCRIPTION	5	5	5	5	
		6	6	7	7	
		0	1	0	1	
		5	0	5	0	
01	446485	FEED LIFTING LEVER HINGE STUD (ECCENTRIC) CLAMP	X	X	X	X
02	113455-001	FEED LIFTING LEVER HINGE STUD (ECCENTRIC) CLAMP SCREW	X	X	X	X
03	179955	FEED LIFTING LEVER HINGE STUD (ECCENTRIC) SPACER	X	X	X	X
04	446249	FEED LIFTING LEVER SPRING	X	X	X	X
07	357122	FEED LIFTING LEVER HINGE STUD (ECCENTRIC)	X	X	X	X
08	356222-001	FEED LIFTING LEVER ASSEMBLY	X	X	X	X
09	446228	FEED LIFTING CAM	X	X	X	X
10	544118	FEED LIFTING CAM SCREW	X	X	X	X
11	113455-001	FEED ROCK SHAFT CENTER SUPPORTING BRACKET SCREW	X	X	X	X
12	446484	FEED ROCK SHAFT CENTER CLAMP (LEFT & RIGHT)	X	X	X	X
13	446487-001	FEED ROCK SHAFT CENTER	X	X	X	X
14	353397	FEED ROCK SHAFT CENTER (RIGHT) NOISE DAMPENING WASHER	X	X	X	X
15	53648-451	FEED FORKED CONNECTING SCREW STUD NUT	X	X	X	X
16	354939-451	FEED BAR HINGE SCREW	X	X	X	X
17	446205	FEED BAR ASSEMBLY	X	X	X	X
18	179891	FEED DOG	X	X	X	X
19	355235-451	FEED DOG SCREW	X	X	X	X
20	446216	FEED ROCK SHAFT COMPLETE	X	X	X	X
21	353397	FEED ROCK SHAFT CENTER (LEFT) NOISE DAMPENING WASHER	X	X	X	X
22	531623-451	FEED FORKED CONNECTING HINGE SCREW (ECCENTRIC)	X	X	X	X
23	531926	FEED FORKED CONNECTING	X	X	X	X
24	44437	FEED FORKED CONNECTING SLIDE BLOCK	X	X	X	X
25	446244	FEED REGULATOR ASSEMBLY	X	X	X	X
26	141925-833	FEED REGULATOR SET SCREW	X	X	X	X
27	446483	FEED REGULATOR HINGE STUD	X	X	X	X
28	179890	FEED REGULATOR RETURN SPRING	X	X	X	X
29	445768	FEED REGULATOR RETURN SPRING BUSHING (PLASTIC)	X	X	X	X
31	353600	FEED REGULATOR HINGE STUD ASSEMBLY	X	X	X	X
32	531927	FEED FORKED CONNECTION ASSEMBLY WITH BLOCK	X	X	X	X
33	353357-451	FEED ROCK SHAFT CENTER SUP.BRACKET SCREW WASHER	X	X	X	X

5600 series, 5700 series
P/N 357655-001

Adopt.

OPTIONS



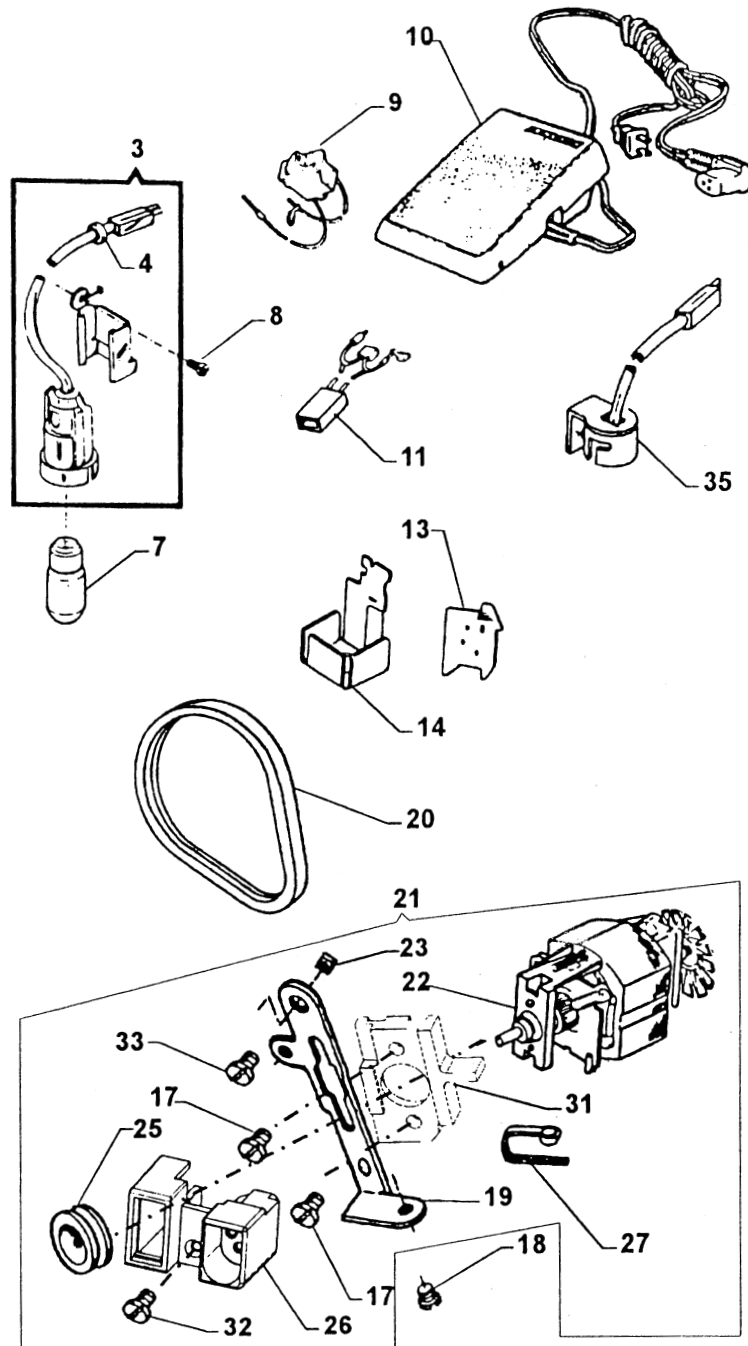
REV: _____
DATE: __JAN/99__

OPTIONS

5 5 5 5
6 6 7 7
0 1 0 1
5 0 5 0

REF. P/N	DESCRIPTION				
01 116863	FINGER GUARD	X	X	X	X
02 446263-455	BED EXTENSION PLATE	X	X	X	X

ELECTRICAL EQUIPMENT



REV: _____
DATE: __JAN/99__

PART LIST
ELECTRICAL EQUIPMENT

REF. P/N	DESCRIPTION	5	5	5	5	
		6	6	7	7	
		0	1	0	1	
		5	0	5	0	
03	605488-025	LIGHT LEAD COMPLETE CAT L9 (IEC CONSTRUCTION)	X	X	X	X
04	179908	LIGHT LEAD GROMMET	X	X	X	X
07	988076-001	LAMP (120V)	X	X	X	X
07	988076-003	LAMP (220/250V)	X	X	X	X
08	354592-451	LIGHT SOCKET MOUNTING SCREW	X	X	X	X
09	362307-003	SWITCH COMPLETE (UL/CSA)	X	X	X	X
09	362307-001	SWITCH COMPLETE (NON REG.)	X	X	X	X
09	988763-004	SWITCH COMPLETE (IEC CONSTRUCTIONS)	X	X	X	X
10	362095-001	CR 606 FOOT CONTROLLER (UL/CSA)	X	X	X	X
10	362095-002	CR 606 FOOT CONTROLLER (IEC - EUROPE)	X	X	X	X
10	362095-005	CR 606 FOOT CONTROLLER (120V - NON REG. - ROUND PIN)	X	X	X	X
10	362095-006	CR 606 FOOT CONTROLLER (220V - NON REG. - ROUND PIN)	X	X	X	X
10	362095-007	CR 606 FOOT CONTROLLER (120V - NON REG. FLAT BLADE)	X	X	X	X
10	362095-008	CR 606 FOOT CONTROLLER (220V - NON REG. FLAT BLADE)	X	X	X	X
10	362095-010	CR 606 FOOT CONTROLLER (240V - AUSTRALIA)	X	X	X	X
10	362095-014	CR 606 FOOT CONTROLLER (220V - ARGENTINA)	X	X	X	X
10	362095-015	CR 606 FOOT CONTROLLER (UK)	X	X	X	X
10	362095-016	CR 606 FOOT CONTROLLER (GERMANY)	X	X	X	X
10	362095-022	CR 606 FOOT CONTROLLER (RUSSIA)	X	X	X	X
11	988764-003	LIGHT CONNECTOR HARNESS (UL/CSA)	X	X	X	X
11	988764-005	LIGHT CONNECTOR HARNESS (NON REG.)	X	X	X	X
11	988768-003	LIGHT CONNECTOR HARNESS (IEC)	X	X	X	X
11	988768-004	LIGHT CONNECTOR HARNESS (IEC)	X	X	X	X
12	362001-007	L15 - LIGHT COMPLETE (NON REG.)	X	X	X	X
12	362160-002	L15 - LIGHT COMPLETE (UL/CSA)	X	X	X	X
13	179901	HEAT SHIELD (WITHOUT GRAPHICS)	X	X	X	X
13	179910-451	LIGHT SHIELD (WITH GRAPHICS) (FOR US/CANADA)	X	X	X	X
14	605087-001	HEAT SHIELD (FOR EUROPE)	X	X	X	X
17	354637-454	MOTOR MOUNTING PLATE CLAMP SCREW	X	X	X	X
18	113370-451	MOTOR MOUNTING PLATE SCREW (LOWER)	X	X	X	X
19	356803-901	MOTOR MOUNTING PLATE	X	X	X	X
20	196388-003	MOTOR BELT	X	X	X	X
21	362180-012	GAC15 - MOTOR COMPLETE (UL/CSA)	X	X	X	X
21	362180-013	GAC15 - MOTOR COMPLETE (120V - NON REG.)	X	X	X	X
21	362180-014	GAC15 - MOTOR COMPLETE (220V - NON REG.)	X	X	X	X
21	362180-015	GAC15 - MOTOR COMPLETE (220/240V - RUSSIA)	X	X	X	X

5600 series, 5700 series

P/N 357655-001

Adopt.

PART LIST
ELECTRICAL EQUIPMENT(CONT.)

5 5 5 5
6 6 7 7
0 1 0 1
5 0 5 0

REF. P/N	DESCRIPTION				
21	362190-016	GAC15 - MOTOR COMPLETE (220/240V - IEC/EUROPE)	X	X	X X
22	362207-005	SERIES MOTOR MODULE (120V - NON REG.)	X	X	X X
22	362207-006	SERIES MOTOR MODULE (220V - NON REG.)	X	X	X X
22	988752-010	SERIES MOTOR MODULE (120V - UL/CSA)	X	X	X X
22	998752-011	SERIES MOTOR MODULE (220/240V - IEC/SAA)	X	X	X X
22	988752-013	SERIES MOTOR MODULE (220/240V - NON REG.)	X	X	X X
23	313470-452	MOTOR MOUNTING PLATE SCREW NUT	X	X	X X
25	988176-001	MOTOR PULLEY	X	X	X X
26	362239-012	COMMUTATOR END (120V - UL/CSA)	X	X	X X
26	362239-013	COMMUTATOR END (120V - NON REG.)	X	X	X X
26	362239-014	COMMUTATOR END (220V - NON REG.)	X	X	X X
26	362239-015	COMMUTATOR END (220/240V - RUSSIA)	X	X	X X
26	362239-016	COMMUTATOR END (220/240V - IEC/SAA)	X	X	X X
27	605600-004	TYE RAP	X	X	X X
31	362237-901	MOTOR MOUNTING PLATE SPACER	X	X	X X
32	362263-901	COMUTATOR END CLAMP SCREW	X	X	X X
33	113372-451	MOTOR MOUNTING PLATE SCREW (UPPER)	X	X	X X

5600 series, 5700 series
P/N 357655-001

Adopt.