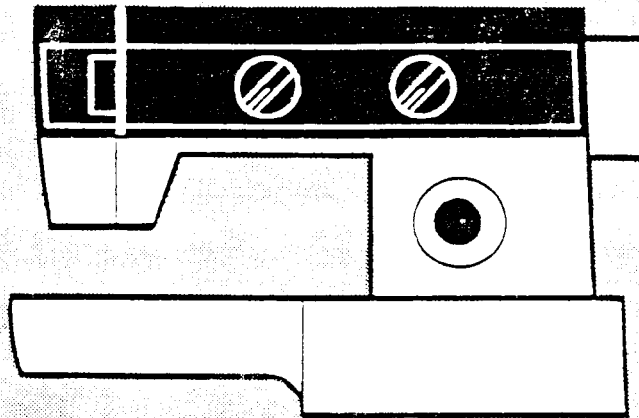


**SINGER**  
**5530**

# LIST OF PARTS SUPPLEMENT

## Model 5530

HOUSEHOLD SEWING MACHINES



by **SINGER**\*

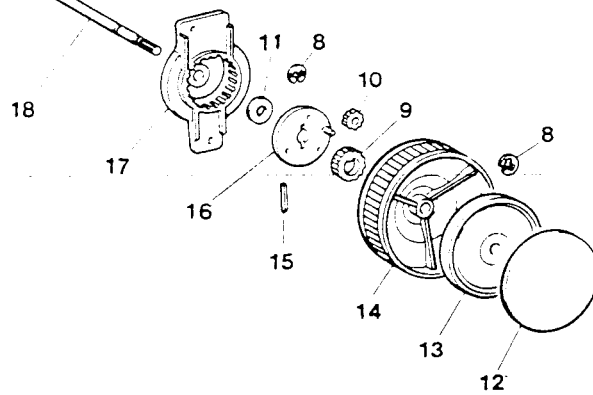
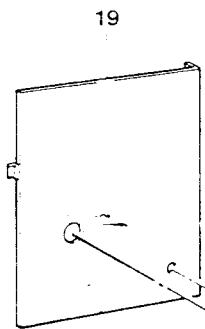
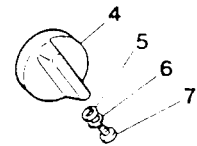
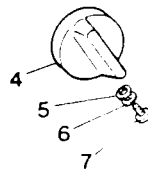
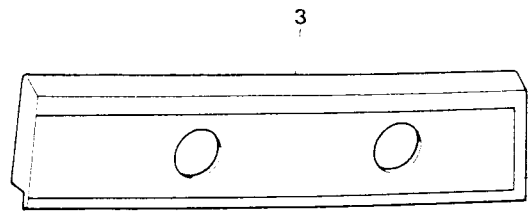
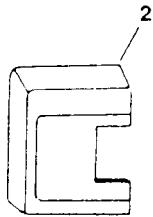
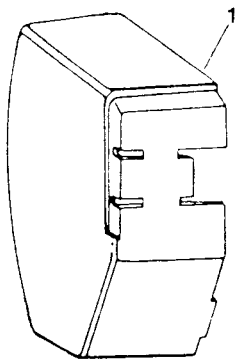
This list of parts is to be used in conjunction with the list of parts for the 5500 Series List of Parts. It contains only the parts which deviate from the 5500 Series machines.



A Publication of Product Support  
International Group Engineering

Part No. 119652

# COVERS AND ADD ONS

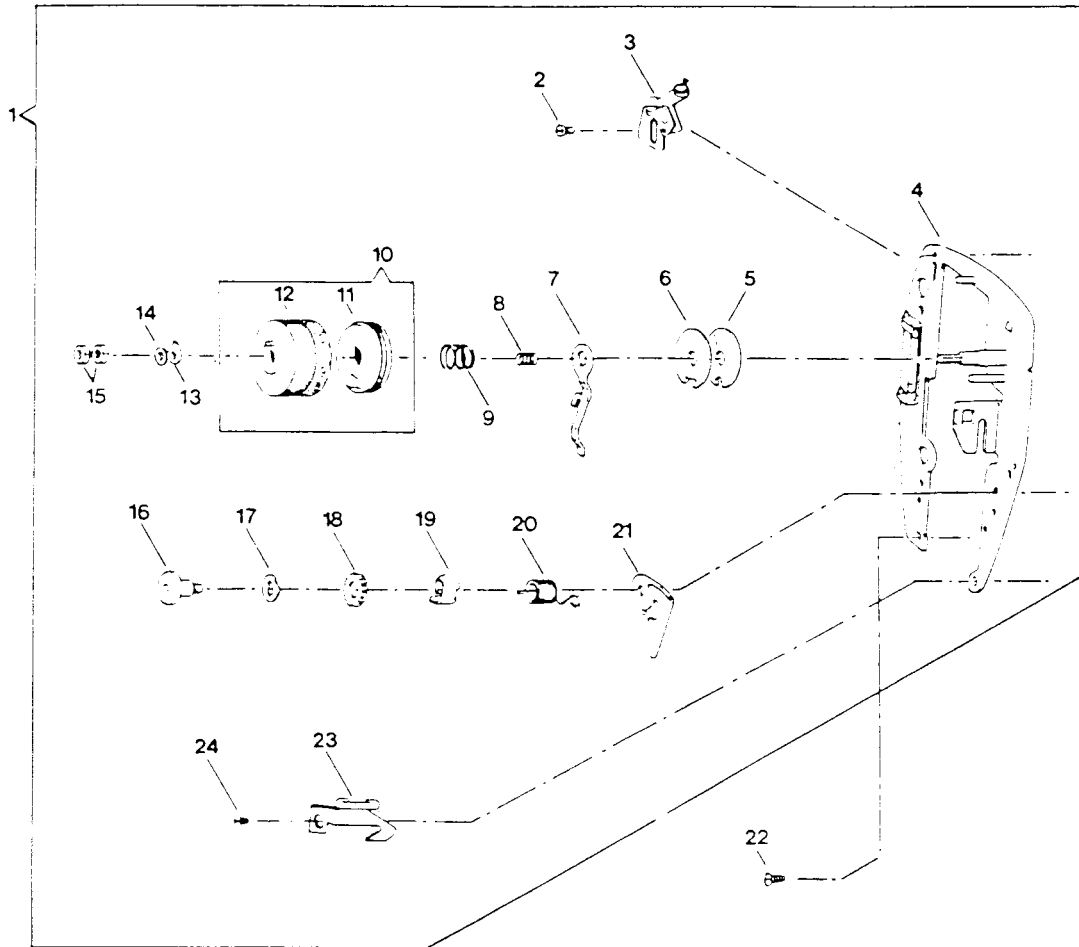




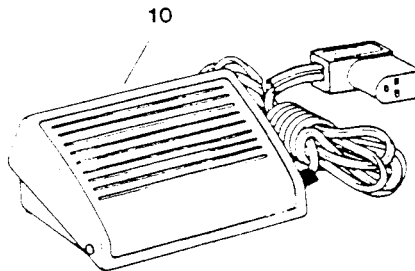
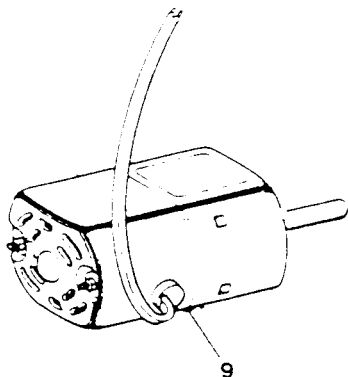
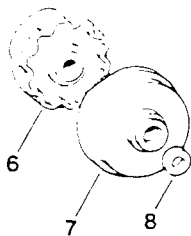
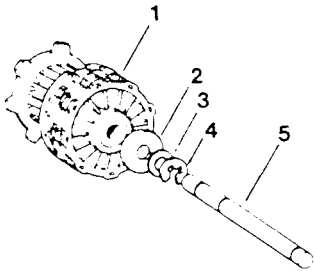


# TENSION MECHANISM

5530



CAM MECHANISM MOTOR-CONTROLLER







Copyright ©1983 THE SINGER COMPANY  
All Rights Reserved Throughout the World

\*A Trademark of THE SINGER COMPANY

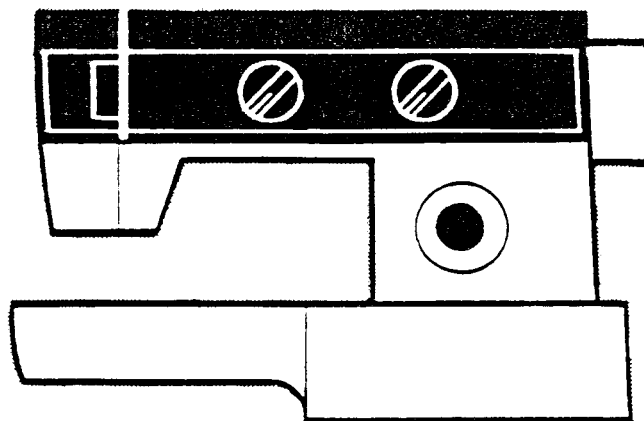
35M6

173 745. 5530 M/c

# LIST OF PARTS SUPPLEMENT

## Model 5530

HOUSEHOLD SEWING MACHINES



by **SINGER\***

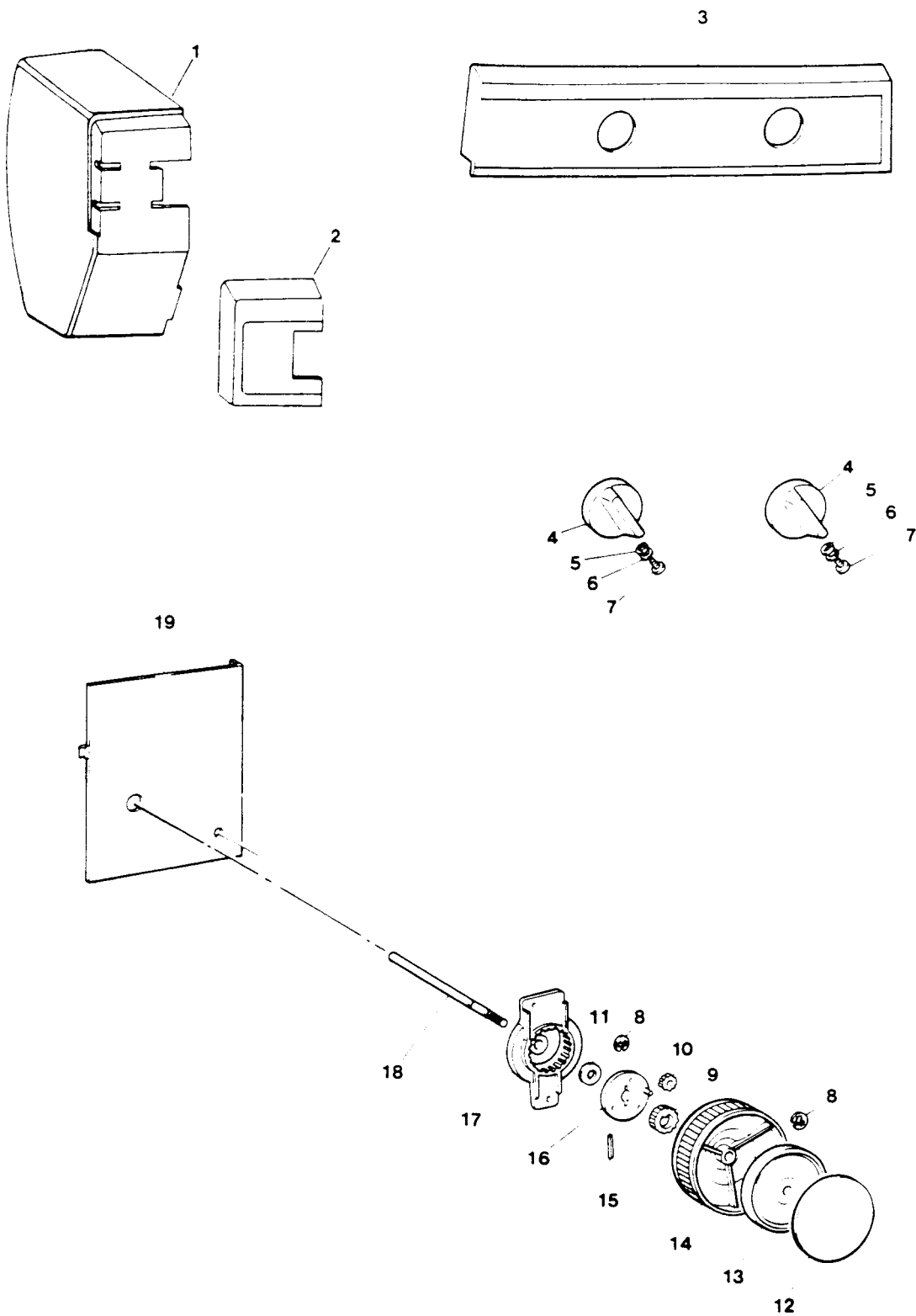
This list of parts is to be used in conjunction with the list of parts for the 5500 Series List of Parts. It contains only the parts which deviate from the 5500 Series machines.



A Publication of Product Support  
International Group Engineering

Part No. 119652

# COVERS AND ADD ONS







# TENSION MECHANISM

