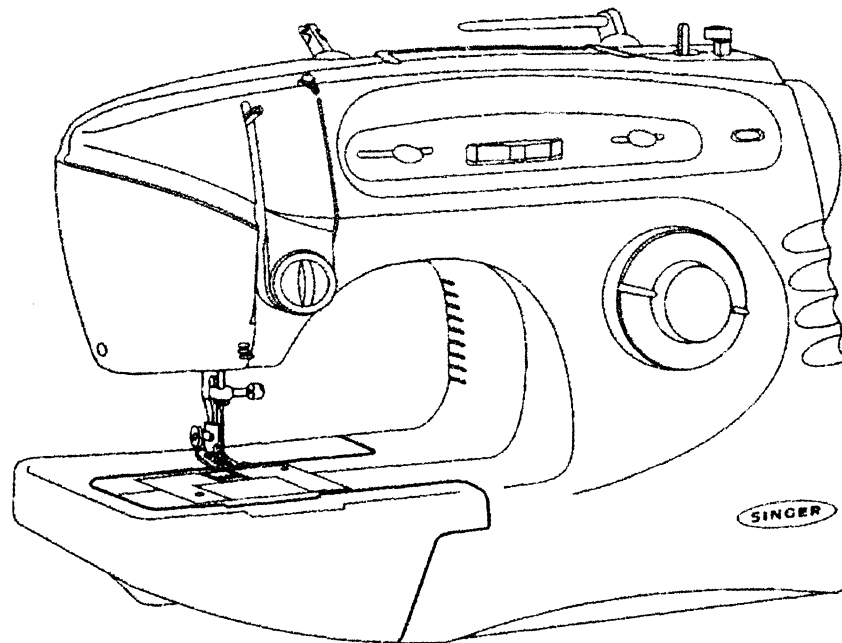


5417C

5430C

LIST OF PARTS
SEWING MACHINE SERIES

5400



THE SINGER COMPANY
© 2001 SINGER DO BRASIL
ALL RIGHTS RESERVED

PRINTED IN BRAZIL
P/N 357790-002
April/2001

Rec'd 4/1/02 Newest copy

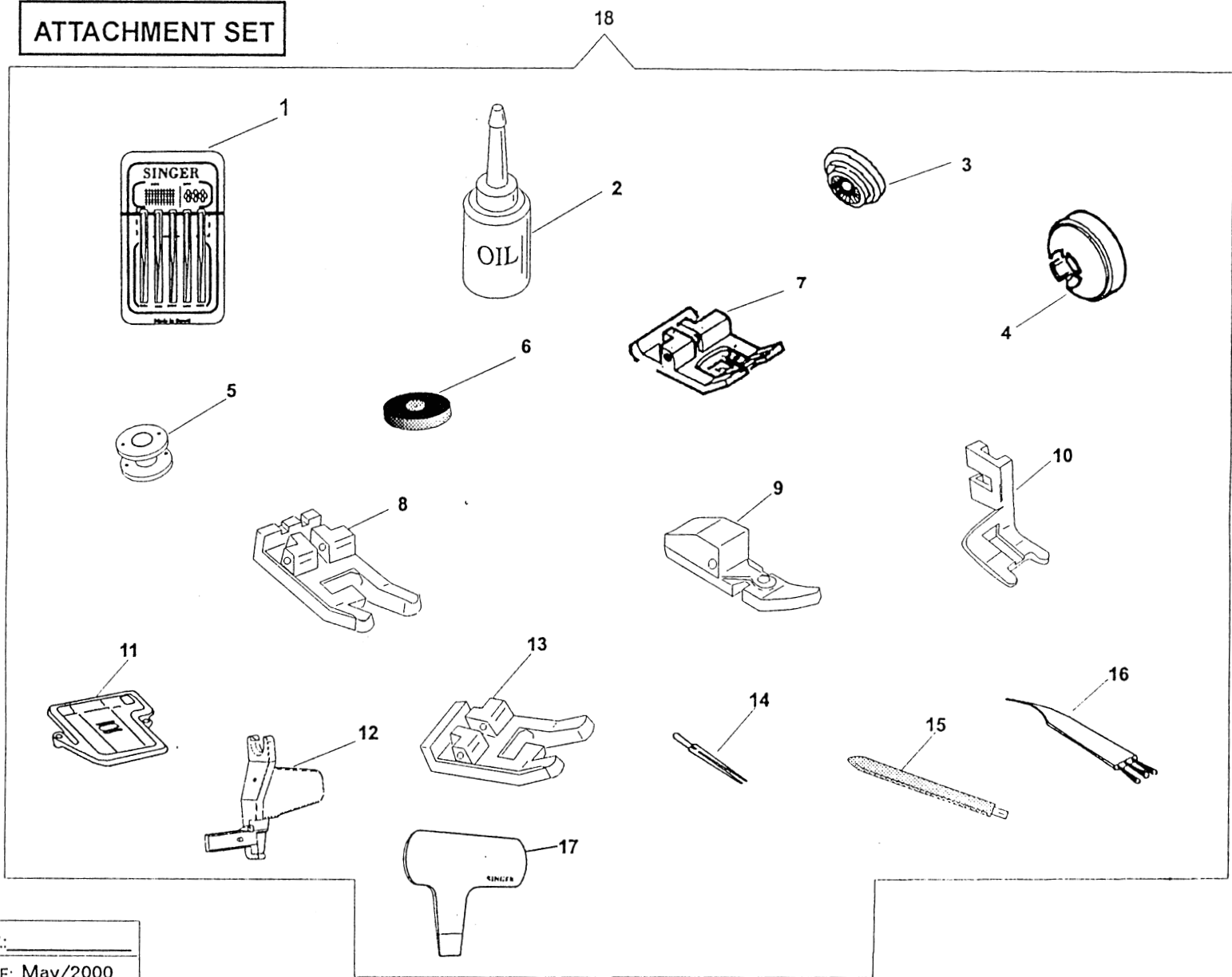
INDEX

PAGE NBR.

SUB-ASSEMBLY

01 - 02	ATTACHMENT SET
03 - 04	OPTIONAL ACCESSORIES (OVER-THE-COUNTER)
05 - 06	ARM, BED, THROAT PLATE & BED SLIDE
07 - 08	COVERS
09 - 10	OTHERS COVERS
11 - 12	NEEDLE BAR
13 - 14	PRESSER BAR
15 - 16	ARM SHAFT DRIVE
17 - 18	HAND WEEL
19 - 20	TENSION MECHANISM
21 - 22	HOOK SYSTEM
23 - 24	BIGHT AMPLITUDE
25 - 26	NEEDLE POSITION
27 - 28	PATTERN SELECTOR
29 - 30	CAM STACK
31 - 32	BUTTONHOLER & FEED REGULATOR CAM
33 - 34	CAM CONTROLLED FEED
35 - 36	FEED SYSTEM
37 - 38	ELECTRICAL EQUIPMENT

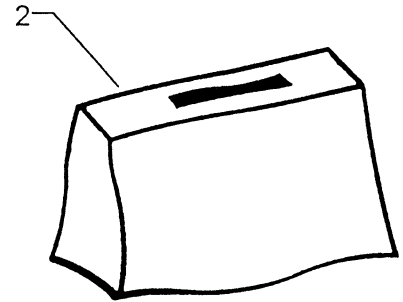
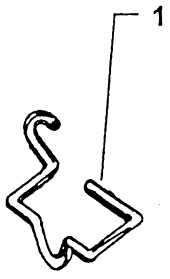
ATTACHMENT SET



REV: _____
DATE: May/2000

REF.PART NBR	DESCRIPTION	5	5
	PARTS LIST	4	4
	ATTACHMENT SET	1	3
		7	0
01 353364	NEEDLE PACK (INCLUDES 1 EA. N2020 SIZE 11/14/15 & N2045 SIZE 11/14)	X	X
02 357004-001	OIL CONTAINER	X	X
03 179967-461	ARM TOP COVER SPOOL PIN THREAD LEAD-OFF	X	X
04 507664-467	ARM TOP COVER SPOOL PIN THREAD LEAD-OFF (SMALL PLASTIC)	X	X
05 172336	BOBBIN (PLASTIC)	X	X
06 8879-656	ARM SPOOL PIN WASHER (FELT)	X	X
07 446492-451	SPECIAL PURPOSE PRESSER FOOT PLATE (SNAP-ON)	X	X
08 161927	PRESSER FOOT PLATE (SNAP-ON) FOR SEWING BUTTONHOLES	X	X
09 507836	ZIPER FOOT COMPLETE	X	X
10 179911-000	PRESSER FOOT PLATE FOR BUTTON SEWING	X	X
11 313117	FEED COVER PLATE (PLASTIC)	X	X
12 357750-002	NEEDLE THREADER	X	X
13 356630	BLIND STITCH SEWING PRESSER FOOT PLATE	X	X
14 531868-000	NEEDLE PACK WITH NEEDLE 2025 SIZE 14	X	X
15 356942-453	ARM TOP COVER SPOOL PIN	X	X
16 546358-000	LINT BRUSH	X	X
17 357306-000	SCREW DRIVER	X	X
18 357767-000	ATTACHMENT SET COMPLETE	X	X

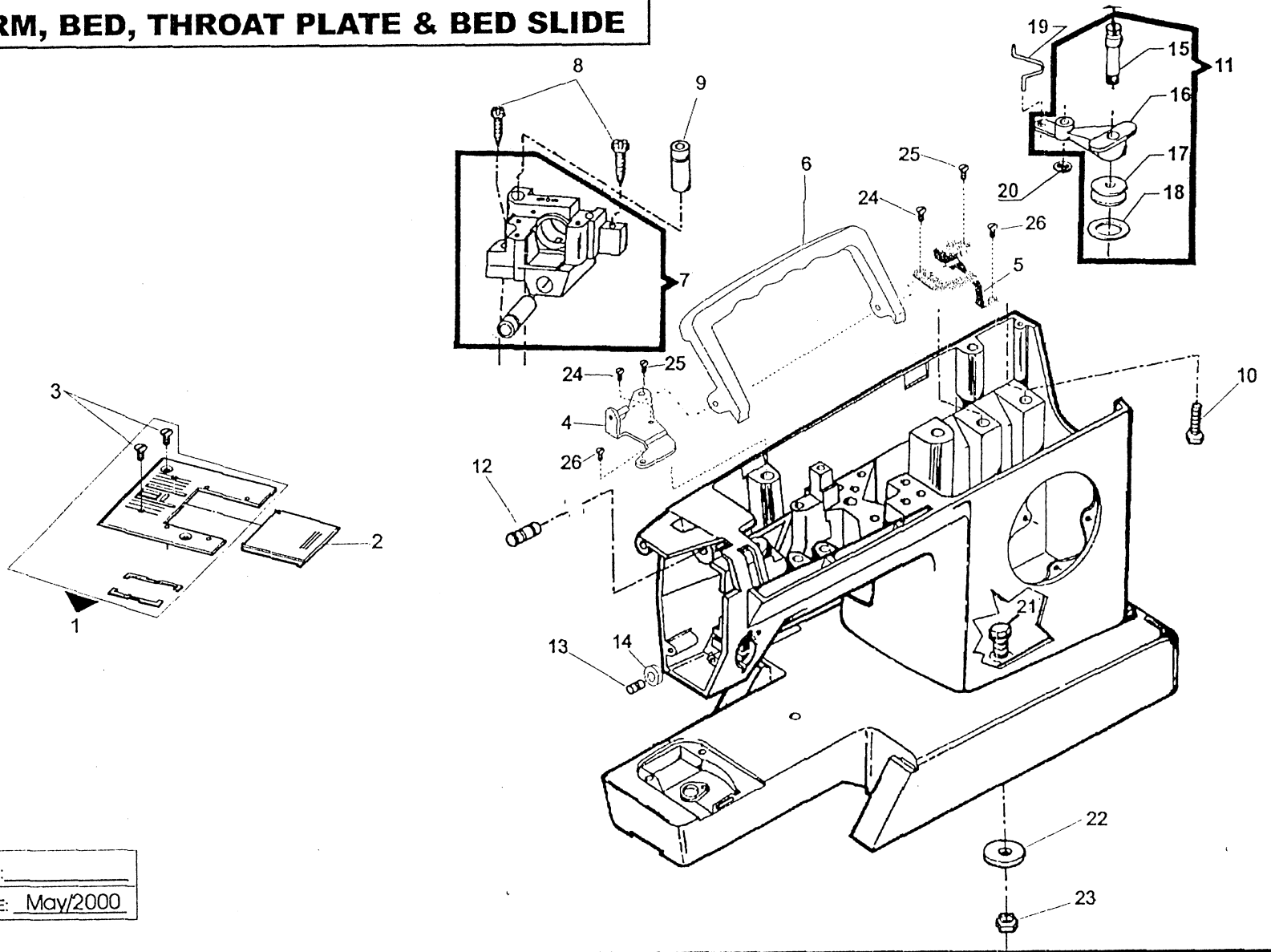
OPTIONAL ACCESSORIES



REV: _____
DATE: May/2000

REF.PART NBR	PARTS LIST		5	5
	OPTIONAL ACCESSORIES		4	4
OVER-THE-COUNTER		1	3	
DESCRIPTION		7	0	
01 116863	FINGER GUARD	X	X	
02 357792-452	SOFT VINYL COVER WITH SINGER LOGO	X	X	

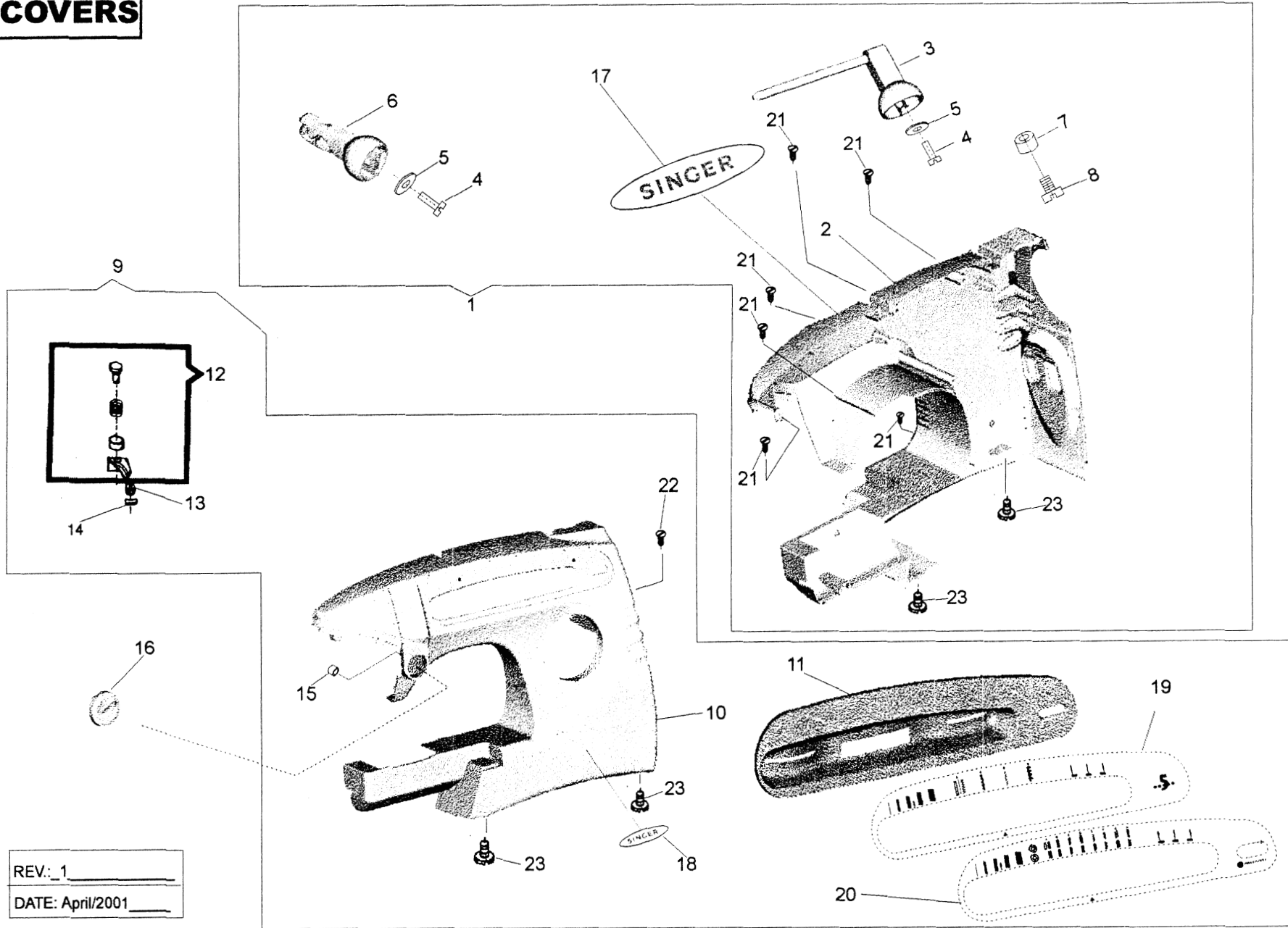
ARM, BED, THROAT PLATE & BED SLIDE



REV: _____
DATE: May/2000

		PARTS LIST	5	5
		ARM, BED, THROAT PLATE & BED SLIDE	4	4
			1	3
REF. PART NBR	DESCRIPTION		7	0
01	357745-001	THROAT PLATE FOR ZIG-ZAG	X	X
02	357191-001	ROTATING HOOK BOBBIN VISOR	X	X
03	357777-451	THROAT PLATE SET SCREW	X	X
04	357720-000	MACHINE HANDLE MOUNTING BRACKET (LEFT)	X	X
05	357740-001	MACHINE HANDLE MOUNTING BRACKET (RIGHT)	X	X
06	357703-900	MACHINE HANDLE	X	X
07	357017-002	ARM SHAFT (REAR) HOUSING ASSEMBLY	X	X
08	113455-006	ARM SHAFT (REAR) HOUSING MOUNTING SCREW	X	X
09	357019	ARM TOP COVER SUPPORT STUD	X	X
10	357020-451	ARM SHAFT (REAR) HOUSING MOUNTING BOLT	X	X
11	531767-452	BOBBIN WINDER ASSEMBLY	X	X
12	357725-000	THREAD TAKE-UP LEVER LINK HINGE STUD	X	X
13	357438-001	TENSION RELEASING LEVER HINGE PIN	X	X
14	357464-002	TENSION RELEASING LEVER HINGE PIN WASHER	X	X
15	357081-452	BOBBIN WINDER SPINDLE COMPLETE	X	X
16	357082-452	BOBBIN WINDER FRAME	X	X
17	44440-001	BOBBIN WINDER PULLEY	X	X
18	15287-301	BOBBIN WINDER FRICTION RING (RUBBER)	X	X
19	531766-000	BOBBIN WINDER HINGE STUD SPRING	X	X
20	445486-000	BOBBIN WINDER RETAINING RING	X	X
21	355250-451	BED(BOTTOM) COVER & CABINET BOLT	X	X
22	353375-451	BED(BOTTOM) COVER & CABINET BOLT WASHER	X	X
23	514608-000	BED (BOTTOM) COVER & CABINET BOLT NUT	X	X
24	113424-451	FRONT COVER MOUNTING SCREW	X	X
25	355243-451	REAR COVER MOUNTING SCREW	X	X
26	113455-009	FRONT COVER MOUNTING SCREW	X	X

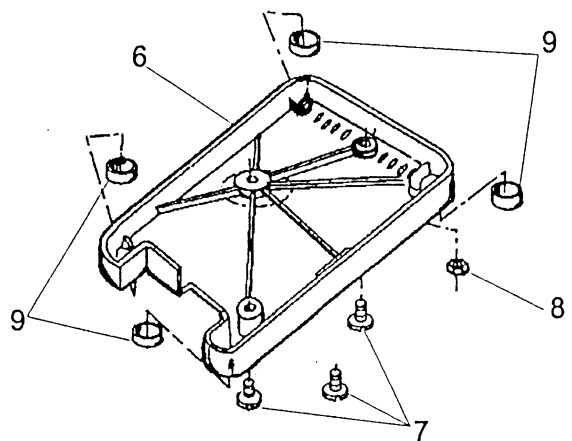
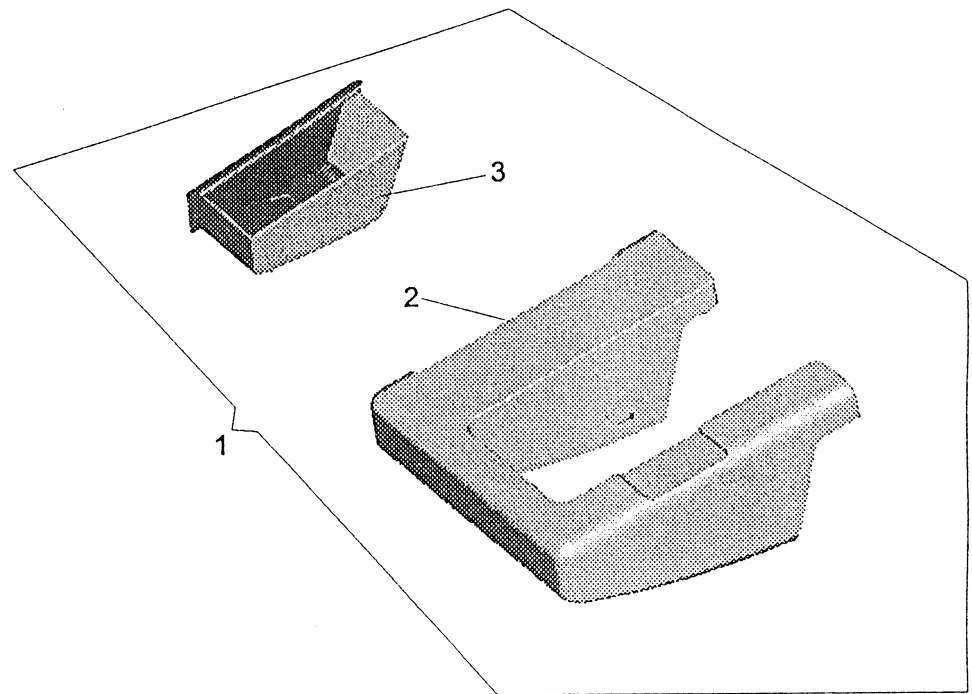
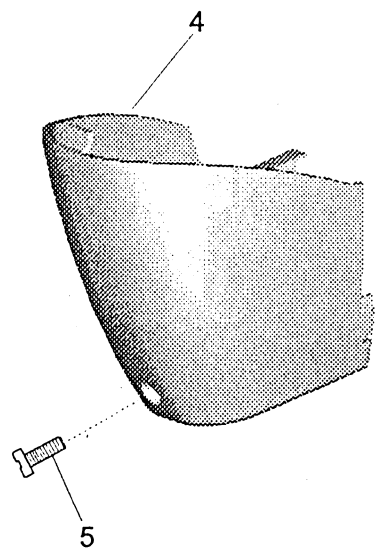
COVERS



REV: 1 _____
DATE: April/2001 _____

		PARTS LIST	5	5
		COVERS	4	4
			1	3
REF.PART NBR	DESCRIPTION		7	0
01	357732-XXX REAR COVER COMPLETE (XXX- INDICATES THE COUNTRY)	X		X
02	357733-XXX REAR COVER WITH GRAPHICS (XXX- INDICATES THE COUNTRY)	X		X
03	357704-900 SPOOL PIN	X		X
04	356116-451 SPOOL PIN SCREW	X		X
05	446138-000 SPOOL PIN SCREW WASHER	X		X
06	357705-900 THREAD GUIDE	X		X
07	357718-900 BOBBIN WINDER STOP	X		X
08	113375-452 BOBBIN WINDER STOP SCREW	X		X
09	357729-XXX FRONT COVER COMPLETE (XXX- INDICATES THE COUNTRY)	X		X
10	357730-001 FRONT COVER WITH GRAPHICS	-		X
10	357730-002 FRONT COVER WITH GRAPHICS	X		-
11	357712-XXX CONTROL PANEL WITH GRAPHICS(XXX- INDICATES THE COUNTRY)	X		X
12	356047-000 BOBBIN WINDER TENSION COMPLETE	X		X
13	141936-833 BOBBIN WINDER TENSION BRACKET ADJUSTING SCREW	X		X
14	44794-000 BOBBIN WINDER TENSION BRACKET ADJUSTING SCREW RETAINING CLIP	X		X
15	356127-000 RETAINING RING	X		X
16	357734-XXX TENSION MECHANISM DIAL WITH GRAPHICS (XXX- INDICATES THE COUNTRY)	X		X
17	357760-900 "SINGER" RESIN FOR REAR COVER	X		X
18	357759-900 "SINGER" RESIN FOR FRONT COVER	X		X
19	357794-XXX PANEL RESIN (XXX- INDICATES THE COUNTRY)	X		-
20	357758-XXX PANEL RESIN (XXX- INDICATES THE COUNTRY)	-		X
21	355263-451 REAR COVER MOUNTING SCREW	X		X
22	113424-451 FRONT COVER MOTOR MOUNTING PLATE SCREW	X		X
23	113455-001 FRONT AND REAR COVER MOUNTING SCREW	X		X

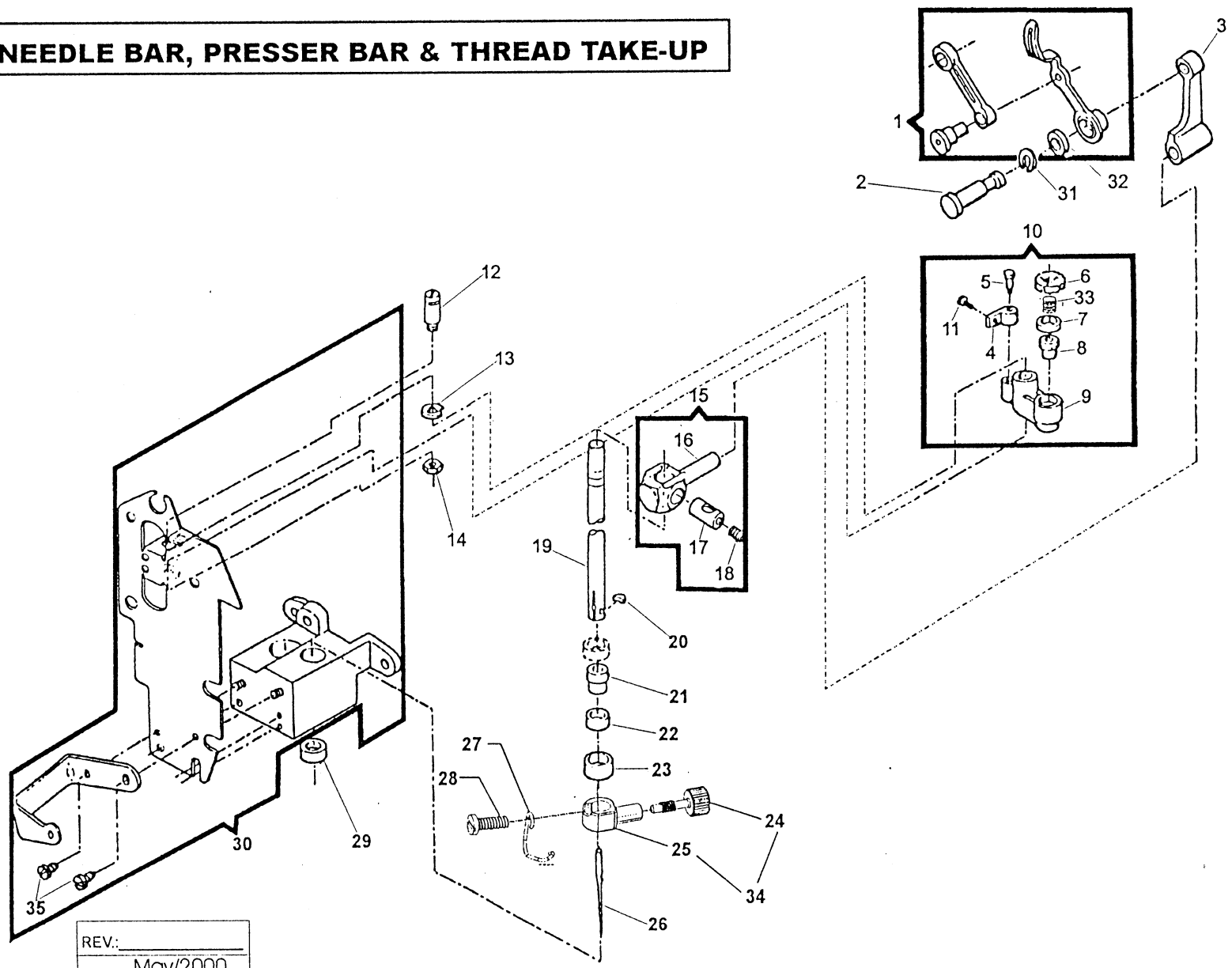
OTHERS COVERS



REV.: _____
DATE: May/2000

REF.PART NBR	DESCRIPTION	PARTS LIST	
		5	5
		4	4
		1	3
		7	0
01 357701-451	BED EXTENSION COMPLETE	X	X
02 357701-900	BED EXTENSION	X	X
03 357702-900	ATTACHMENT BOX	X	X
04 357769-001	FACE PLATE COMPLETE	X	X
05 354133-453	FACE PLATE SCREW	X	X
06 357782-900	BED (BOTTOM) COVER (PLASTIC) WITH BED CUSHION	X	X
07 113455-001	BED (BOTTOM) COVER FASTENING SCREW	X	X
08 514608-000	BED (BOTTOM) COVER FASTENING SCREW NUT	X	X
09 357797-451	BED CUSHION	X	X

NEEDLE BAR, PRESSER BAR & THREAD TAKE-UP



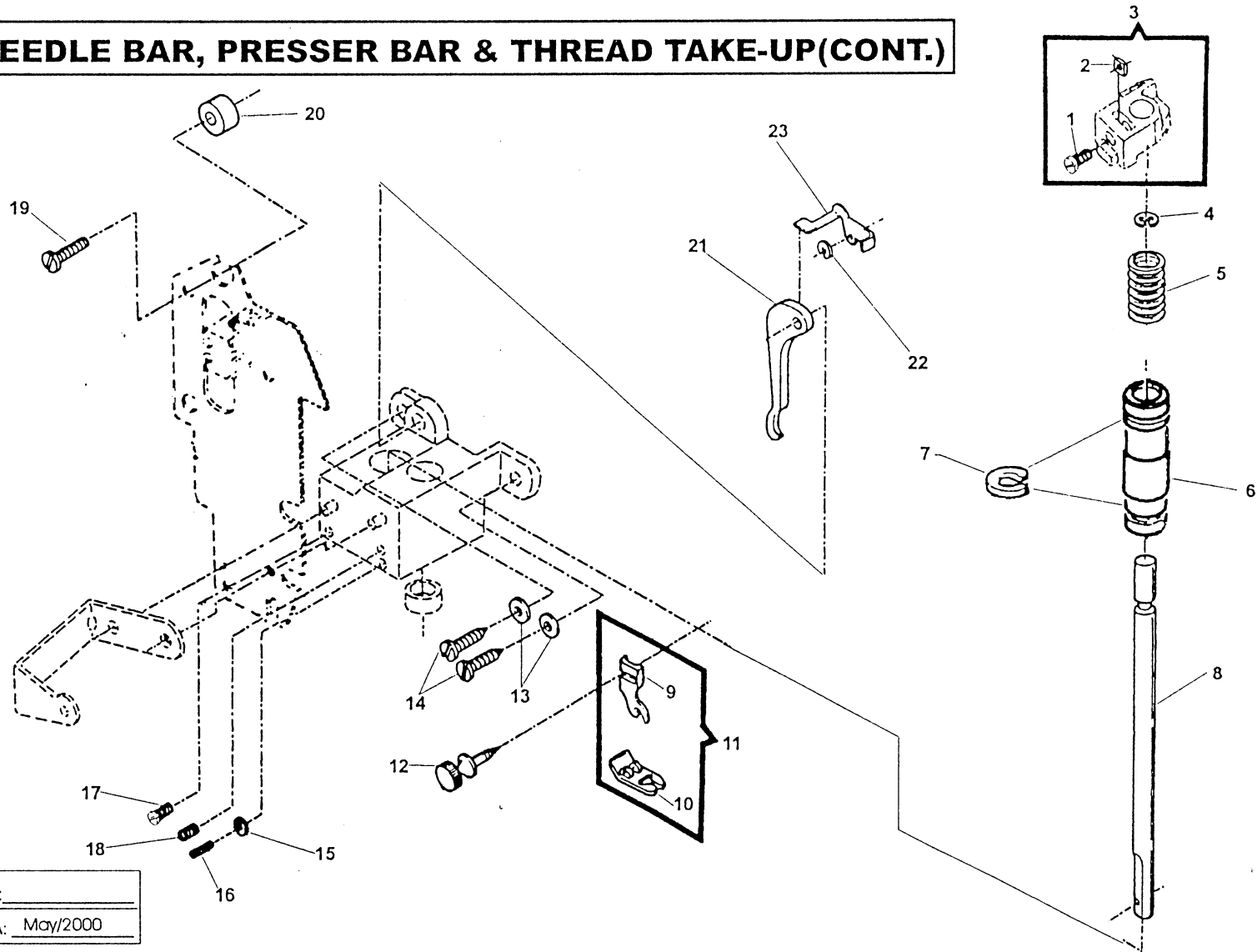
REV: _____
DATE: May/2000

		PARTS LIST	5	5
		NEEDLE BAR	4	4
			1	3
REF.PART NBR	DESCRIPTION		7	0
01	445672	THREAD TAKE-UP LEVER COMPLETE	X	X
02	357788-000	THREAD TAKE-UP STUD	X	X
03	446357	NEEDLE BAR CONNECTING LINK	X	X
04	446190	NEEDLE BAR DRIVING ARM HINGE BRACKET	X	X
05	37935	NEEDLE BAR DRIVING ARM HINGE BRACKET HINGE PIN	X	X
06	353522-001	NEEDLE BAR BALL BUSHING (UPPER) REATINING RING	X	X
07	357615	NEEDLE BAR BALL BUSHING (UPPER) SOCKET (LOWER)	X	X
08	446355-001	NEEDLE BAR BALL BUSHING (UPPER)	X	X
09	353521	NEEDLE BAR VIBRATING BRACKET	X	X
10	353520-001	NEEDLE BAR VIBRATING BRACKET COMPLETE	X	X
11	354826-451	NEEDLE BAR DRIVING ARM HINGE BRACKET SCREW	X	X
12	446359	NEEDLE BAR VIBRATING BRACKET HINGE PIN	X	X
13	445721	NEEDLE BAR VIBRATING BRACKET HINGE PIN RETAINING RING	X	X
14	357093-451	NEEDLE BAR VIBRATING BRACKET HINGE PIN NUT	X	X
15	353549-940	NEEDLE BAR CONNECTING STUD WITH HINGE PIN	X	X
16	353549	NEEDLE BAR CONNECTING STUD	X	X
17	37931	NEEDLE BAR CONNECTING STUD HINGE PIN	X	X
18	141916-833	NEEDLE BAR CLAMPING SCREW	X	X
19	445793	NEEDLE BAR	X	X
20	37943	NEEDLE BAR GIB	X	X
21	446355-001	NEEDLE BAR BALL BUSHING (LOWER)	X	X
22	507379	NEEDLE BAR BALL BUSHING (LOWER) SOCKET	X	X
23	446361-001	NEEDLE BAR BALL BUSHING (LOWER) ADJUSTING COLLAR	X	X
24	355248-451	NEEDLE THUMB SCREW	X	X
25	357429-001	NEEDLE CLAMP BODY	X	X
26	204514-100	NEEDLE 2045 SIZE NBR 14	X	X
26	202014-100	NEEDLE 2020 SIZE NBR 14 (FOR JAPAN ONLY)	X	X
27	357421-001	NEEDLE CLAMP THREAD GUIDE	X	X
28	141920-455	ND.CLAMP BODY, ND.CLAMP THREAD GUIDE & ND.STOP SCREW	X	X
29	44450	NEEDLE BAR BALL BUSHING (LOWER) SOCKET (UPPER)	X	X
30	357360-000	NEEDLE BAR, PRESSER BAR & VIBR.BKT.HOUSING ASSEMBLY	X	X
31	445486	THREAD TAKE-UP STUD RETAINING RING	X	X
32	543531	THREAD TAKE-UP STUD THRUST WASHER	X	X
33	357616	NEEDLE BAR BALL BUSHING (UPPER) SOCKET SPRING	X	X
34	357430-001	NEEDLE CLAMP BODY WITH SCREW	X	X
35	113480-451	ND.BAR, PRESSER BAR & VIBR.BKT.HOUS.PLATE MTG.SCREW	X	X

5400 SERIES
P/n 357790-002

Adopt.

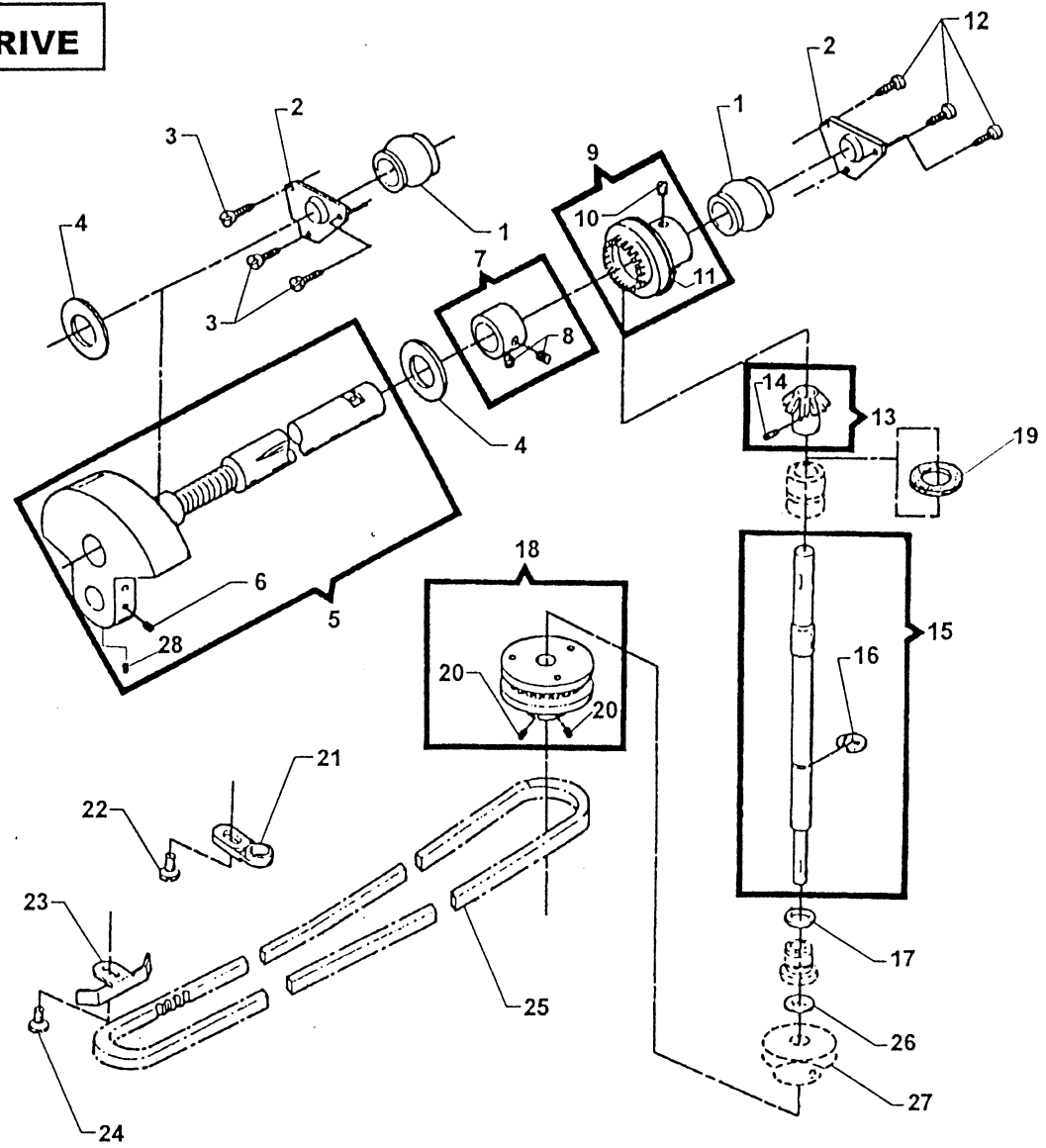
NEEDLE BAR, PRESSER BAR & THREAD TAKE-UP (CONT.)



REV: _____
DATA: May/2000

		PARTS LIST	5	5
		PRESSER BAR	4	4
			1	3
REF. PART NBR	DESCRIPTION		7	0
01	355279-451	PRESSER BAR GUIDE BRACKET SET SCREW	X	X
02	353367-451	PRESSER BAR GUIDE BRACKET NUT	X	X
03	357363-000	PRESSER BAR GUIDE BACKET ASSEMBLY	X	X
04	353215	PRESSER BAR SPRING RETAINING RING (UPPER)	X	X
05	357362	PRESSER BAR SPRING	X	X
06	445947-001	PRESSER BAR BUSHING	X	X
07	357604	PRESSER BAR BUSHING LOCATING RING	X	X
08	357602	PRESSER BAR	X	X
09	155964	PRESSER FOOT SHANK (SNAP-ON)	X	X
10	446371	PRESSER FOOT PLATE (SNAP-ON) FOR ZIG-ZAG SEWING	X	X
11	446372	PRESSER FOOT (SNAP-ON) COMPLETE FOR ZIG-ZAG SEWING	X	X
12	354135-452	PRESSER FOOT THUMB SCREW	X	X
13	353375-451	NEEDLE BAR, PRESSER BAR & VIBRATING BRACKET HOUSING MOUNTING SCREW (LOWER) WASHER	X	X
14	113434-451	NEEDLE BAR, PRESSER BAR & VIBRATING BRACKET HOUSING MOUTING SCREW (LOWER)	X	X
15	54591-451	NEEDLE BAR OVER THROW SET SCREW NUT	X	X
16	354993-451	NEEDLE BAR OVER THROW SET SCREW	X	X
17	354906-451	PRESSER BAR BUSHING SET SCREW	X	X
18	141938-833	NEEDLE BAR BALL BUSHING (LOWER) ADJ. COLLAR SET SCREW	X	X
19	113455-009	NEEDLE BAR & PRESSER BAR VIBRATING BRACKET HOUSING MOUNTING SCREW (UPPER)	X	X
20	531627	NEEDLE BAR, PRESSER BAR & VIBRATING BRACKET HOUSING MOUNTING BUSHING	X	X
21	356170-451	PRESSER BAR LIFTER	X	X
22	445486	TENSION RELEASING LEVER RETAINING RING	X	X
23	445925	TENSION RELEASING LEVER	X	X

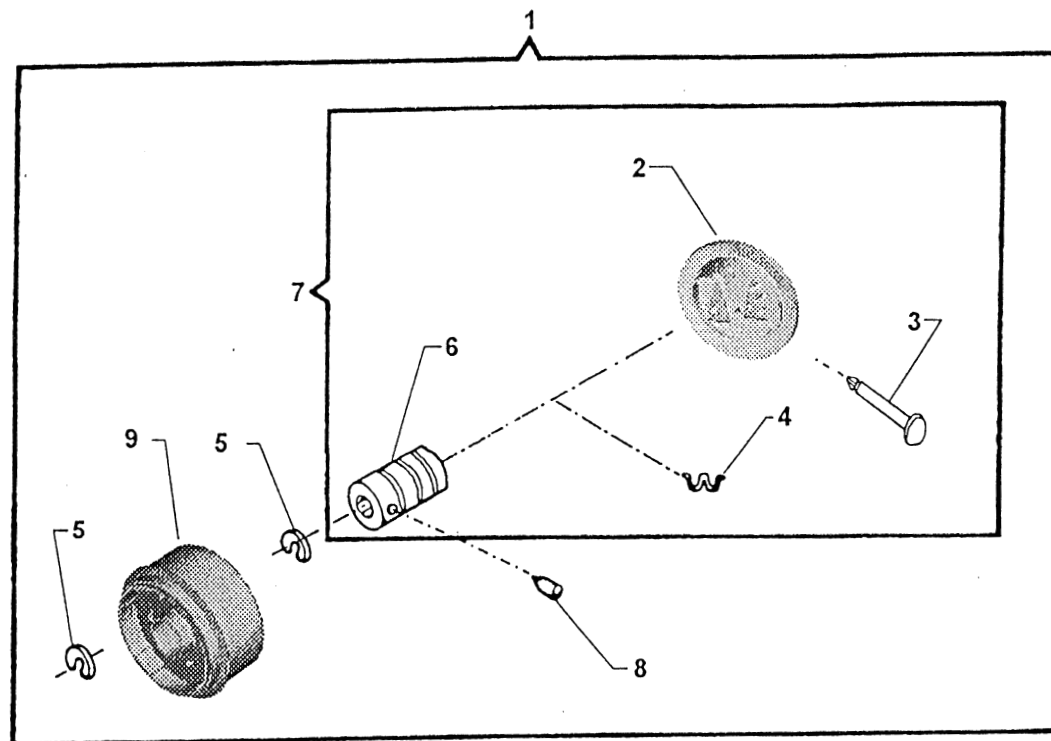
ARM SHAFT DRIVE



REV: _____
DATE: May/2000

		PARTS LIST	5	5
		ARM SHAFT DRIVE	4	4
REF. PART NBR	DESCRIPTION		1	3
			7	0
01	446384	ARM SHAFT BUSHING (FRONT)	X	X
02	446385	ARM SHAFT BUSHING (FRONT) RETAINING BRACKET	X	X
03	113455-001	ARM SHAFT BUSHING (FRONT) RETAINING BRACKET SCREW	X	X
04	319764	ARM SHAFT (HORIZONTAL)RETAINING COLLAR WASHER	X	X
05	531684	ARM SHAFT COMPLETE	X	X
06	354105-833	THREAD TAKE- UP SET SCREW	X	X
07	353580	ARM SHAFT (HORIZONTAL) RETAINING COLLAR	X	X
08	113500-451	ARM SHAFT (HORIZONTAL) RETAINING COLLAR SET SCREW	X	X
09	353272	ARM SHAFT (HORIZONTAL) BEVEL GEAR & FEED LIFTING (ECCENTRIC) COMPLETE	X	X
10	354813-451	ARM SHAFT (HORIZONTAL) BEVEL GEAR & FEED LIFTING ECCENTRIC SET SCREW	X	X
11	353413	ARM SHAFT (HORIZONTAL) BEVEL GEAR & FEED LIFTING ECCENTRIC WASHER (PLASTIC)	X	X
12	113455-001	ARM SHAFT BUSHING (REAR) RETAINING BRACKET SCREW	X	X
13	353273-002	ARM SHAFT (UPRIGHT) BEVEL GEAR (PLASTIC)	X	X
14	354105-833	ARM SHAFT (UPRIGHT) BEVEL GEAR SET SCREW	X	X
15	179952-002	ARM SHAFT (UPRIGHT) ASSEMBLY	X	X
16	353215	ARM SHAFT (UPRIGHT) RETAINING RING	X	X
17	353394	ARM SHAFT (UPRIGHT) RETAINING RING WASHER	X	X
18	353438-001	ARM SHAFT (UPRIGHT) BELT DRIVE PULLEY ASSEMBLY COMPLETE	X	X
19	356819	ARM SHAFT (UPRIGHT) FELT WASHER	X	X
20	354906-451	ARM SHAFT (UPRIGHT) BELT DRIVE PULLEY RETAINING COLLAR SET SCREW	X	X
21	357461	ROTATING HOOK DRIVE BELT TENSION ADJUSTER	X	X
22	113453-003	ROTATING HOOK DRIVE BELT TENSIONER SCREW	X	X
23	446376	BELT RETAINER (LEFT)	X	X
24	113455-001	BELT RETAINER (LEFT) SCREW	X	X
25	446237	BELT (ROTATING HOOK DRIVE)	X	X
26	319826	ARM SHAFT (UPRIGHT) BELT DRIVE PULLEY WASHER	X	X
27	446228-000	FEED LIFTING CAME COMPLETE	X	X
28	113500-451	THREAD TAKE- UP SET SCREW	X	X

HAND WHEEL



REV: _____
DATA: May/2000

**PARTS LIST
HAND WHEEL**

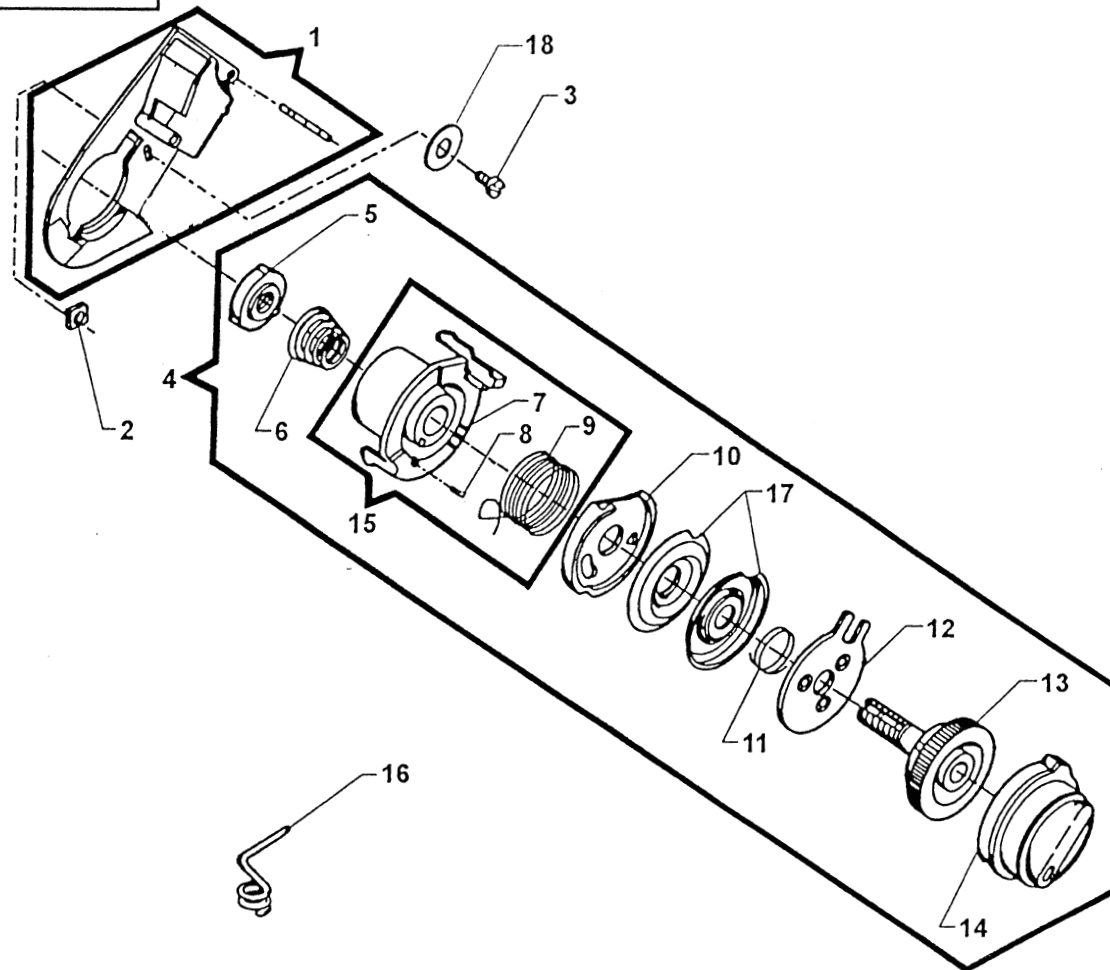
**5 5
4 4
1 3
7 0**

REF. PART NBR

DESCRIPTION

01	357737-001	HAND WHEEL (ELECTRIC) COMPLETE	X	X
02	357708-900	HAND WHEEL DISENGAGING CLUTCH ENGAGING PLATE COVER	X	X
03	357364-000	HAND WHEEL DISENGAGING CLUTCH ENGAGING PLATE HINGE PIN	X	X
04	357365	HAND WHEEL DISENGAGING CLUTCH ACTUATING SPRING	X	X
05	446387	HAND WHEEL RETAINING RING (TREADLE/ELECTRIC)	X	X
06	357359-000	HAND WHEEL DISENGAGING CLUTCH BUSHING	X	X
07	357744-001	HAND WHEEL DISENGAGING CLUTCH BUSHING COMPLETE	X	X
08	354813-451	HAND WHEEL DISENGAGING CLUTCH BUSHING SCREW	X	X
09	357709-900	HAND WHEEL (PLASTIC)	X	X

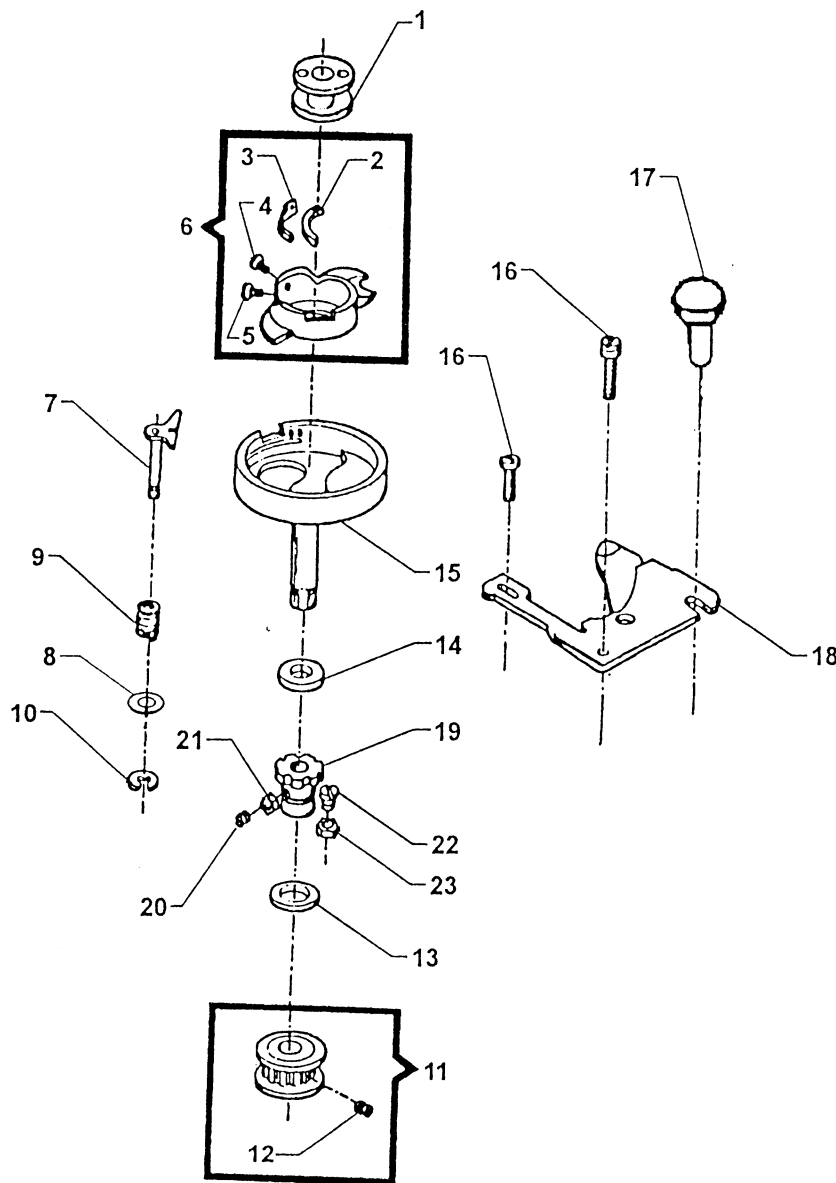
TENSION MECHANISM



REV: _____
DATA: May/2000

		PARTS LIST	5	5
		TENSION MECHANISM	4	4
REF. PART NBR	DESCRIPTION		1	3
			7	0
01	357748-001	TENSION MECHANISM SHROUDER ASSEMBLY	X	X
02	514698-451	TENSION MECHANISM SHROUDER SCREW NUT	X	X
03	141808-457	TENSION MECHANISM SHROUDER SCREW	X	X
04	356088-457	TENSION MECHANISM ASSEMBLY	-	-
05	356095	TENSION STUD NUT	X	X
06	356096	TENSION SPRING	X	X
07	356089	TENSION MECHANISM SUPPORT	X	X
08	356246-900	TENSION MECHANISM SUPPORT PIN	X	X
09	356097	THREAD TAKE-UP SPRING	X	X
10	356091	THREAD TAKE-UP SPRING THREAD GUARD	X	X
11	356216	TENSION DISC PRESSURE PLATE SPRING	X	X
12	356177	TENSION DISC PRESSURE PLATE	X	X
13	356092-451	TENSION INDICATOR WITH STUD	X	X
14	357734-003	TENSION INDICATOR DIAL	X	-
14	357734-002	TENSION INDICATOR DIAL	-	X
15	356245	TENSION MECHANISM SUPORT ASSEMBLY	X	X
16	445784	THREAD GUIDE (LOWER)	X	X
17	356094	TENSION DISC	X	X
18	356443	TENSION MECHANISM SHROUDER WASHER	X	X

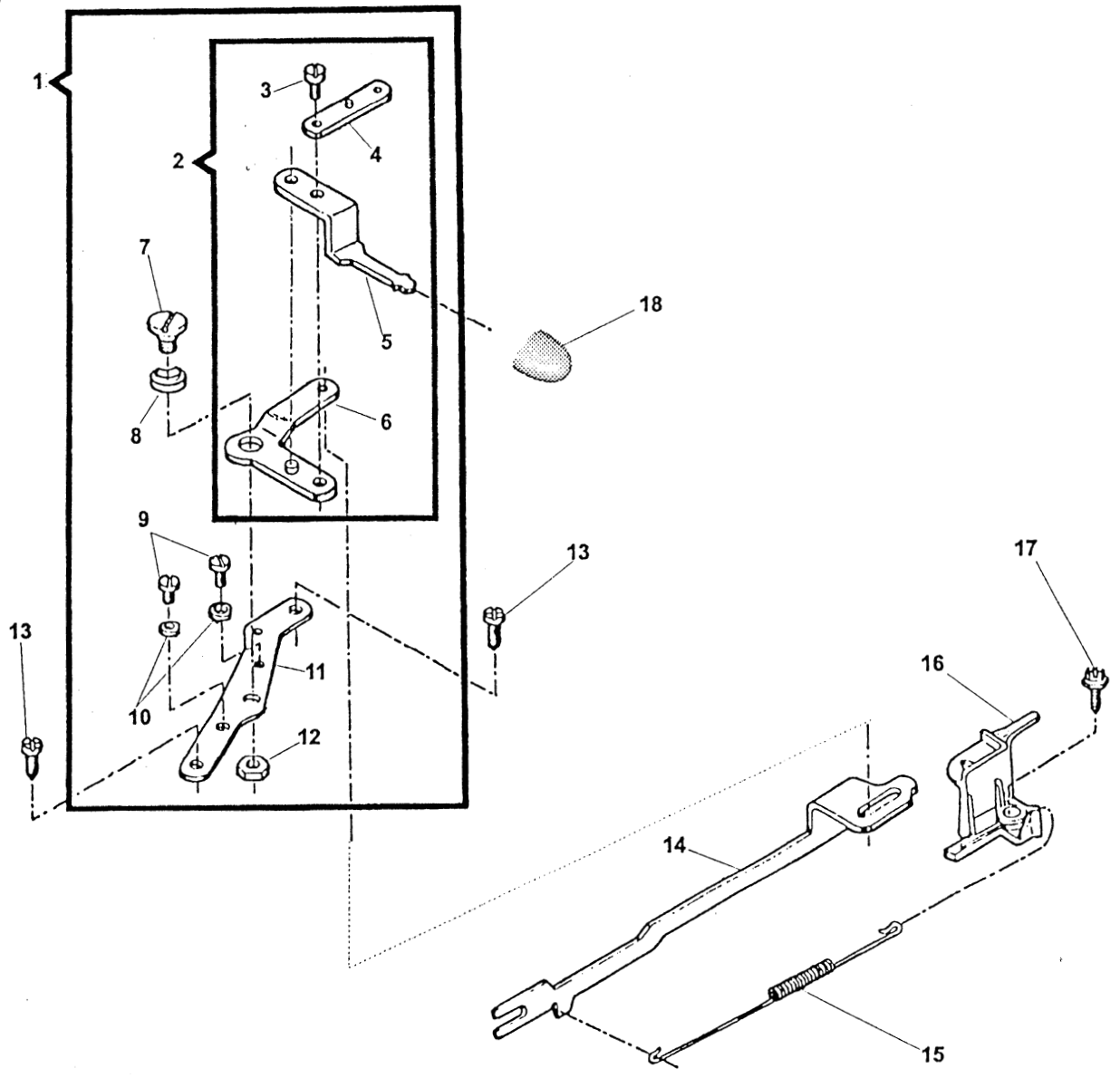
HOOK SYSTEM



REV.: _____
DATA: May/2000

		PARTS LIST	5	5
		HOOK SYSTEM	4	4
REF.PART NBR	DESCRIPTION	1	3	0
		7		
01	172336 ROTATING HOOK BOBBIN (PLASTIC)	X		X
02	356490-451 ROTATING HOOK BOBBIN CASE TENSION SPRING SEGMENT	X		X
03	314715 ROTATING HOOK BOBBIN CASE TENSION SPRING	X		X
04	355254-451 ROTATING HOOK BOBBIN CASE TENSION REGULATING SCREW	X		X
05	139975-452 ROTATING HOOK BOBBIN CASE TENSION SPRING SEG.SCREW	X		X
06	421325 ROTATING HOOK BOBBIN CASE	X		X
07	353511 ROTATING HOOK BOBBIN CASE RETAINING PLATE ASSEMBLY	X		X
08	445808-000 ROTATING HOOK BOBBIN CASE RETAINING PLATE WASHER	X		X
09	44892 ROTATING HOOK BOBBIN CASE RETAINING PLATE STUD SPRING	X		X
10	446417 ROTATING HOOK BOBBIN CASE RETAINING PLATE RETAINING RING	X		X
11	446235 ROTATING HOOK BELT DRIVE PULLEY	X		X
12	141803-451 ROTATING HOOK BELT DRIVE PULLEY SCREW	X		X
13	382861-906 ROTATING HOOK BELT DRIVE PULLEY WASHER	X		X
14	353453 ROTATING HOOK WEAR WASHER	X		X
15	353366 ROTATING HOOK COMPLETE	X		X
16	354917-451 ROTATING HOOK BOBBIN CASE POSITION PLATE SCREW	X		X
17	357349-451 ROTATING HOOK BOBBIN CASE RETAINING PLATE (ADJUSTABLE & POSITION PLATE)STUD	X		X
18	44873-001 ROTATING HOOK BOBBIN CASE POSITION PLATE	X		X
19	353410-900 ROTATING HOOK BUSHING	X		X
20	141938-833 ROTATING HOOK BUSHING SET SCREW	X		X
21	353367-451 ROTATING HOOK BUSHING SET SCREW NUT	X		X
22	141844-451 ROTATING HOOK BUSHING ADJUSTING SCREW	X		X
23	618638-005 ROTATING HOOK BUSHING ADJUSTING SCREW NUT	X		X

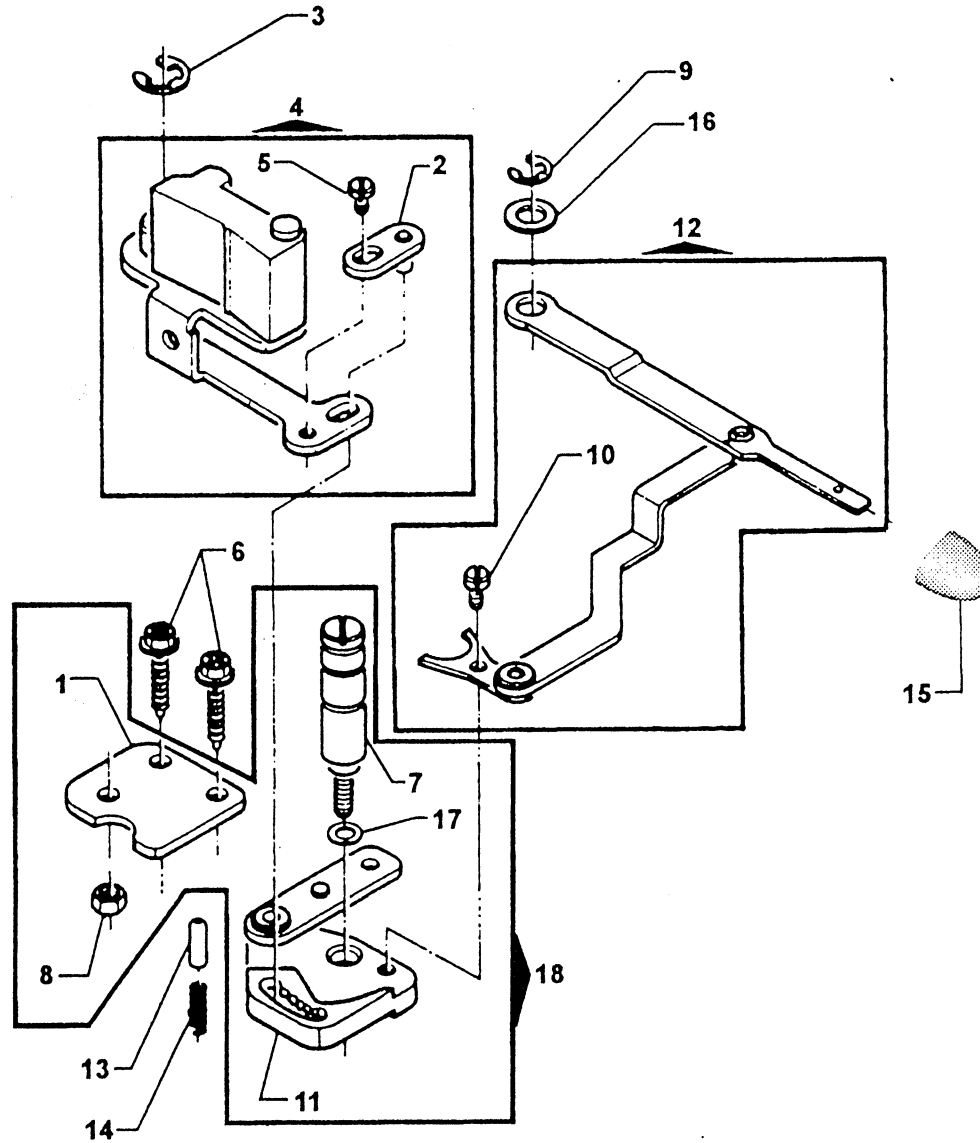
BIGHT AMPLITUDE



REV: _____
DATA: May/2000

		PARTS LIST	5	5
		BIGHT AMPLITUDE	4	4
			1	3
REF.PART NBR	DESCRIPTION		7	0
01 179893	BIGHT AMPLITUDE CONTROL LEVER MOUNTING BRACKET COMPLETE	X		X
02 446342	BIGHT AMPLITUDE CONTROL LEVER SUB-ASSEMBLY	X		X
03 139866-451	BIGHT AMPLITUDE CONTROL LEVER SCREW	X		X
04 44556	BUTTONHOLER BIGHT CONTROL CAM FOLLOWER LEVER LINK (LEFT)	X		X
05 446394	BIGHT AMPLITUDE CONTROL LEVER	X		X
06 37246	BIGHT AMPLITUDE CONTROL LEVER LINK	X		X
07 354825-451	BIGHT AMPLITUDE CONTROL LEVER LINK HINGE SCREW	X		X
08 49204	BIGHT AMPLITUDE CONTROL LEVER LINK HINGE SCREW FRICTION WASHER	X		X
09 141913-451	BIGHT AMPLITUDE CONTROL LEVER LINK STOP SCREW	X		X
10 446904	BIGHT AMPLITUDE CONTROL LEVER LINK STOP	X		X
11 531793	BIGHT AMPLITUDE CONTROL LEVER MOUNTING BRACKET	X		X
12 54591-451	BIGHT AMPLITUDE CONTROL LEVER LINK HINGE SCREW NUT	X		X
13 113455-001	BIGHT AMPLITUDE CONTROL LEVER MOUNTING BRACKET SCREW	X		X
14 37933-002	NEEDLE BAR DRIVING ARM	X		X
15 37942	NEEDLE BAR DRIVING ARM TENSION SPRING	X		X
16 445780	LIGHT LEAD SHIELD & NEEDLE BAR DRIVING ARM TENSION SPRING MOUNTING PLATE	X		X
17 113455-001	LIGHT LEAD SHIELD & NEEDLE BAR DRIVING ARM TENSION SPRING MOUNTING PLATE SCREW	X		X
18 357699-XXX	BIGHT AMPLITUDE CONTROL LEVER KNOB (XXX-INDICATES THE COUNTRY)	X		X

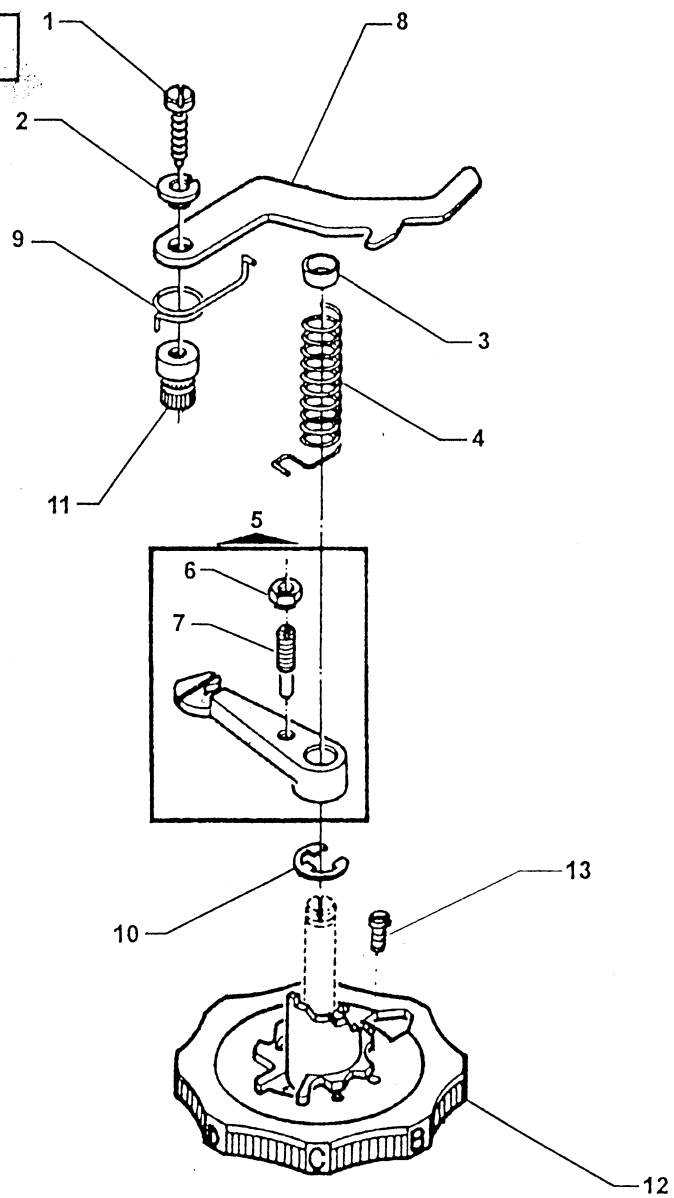
NEEDLE POSITION



REV: _____
DATA: May/2000

		PARTS LIST	5	5
		NEEDLE POSITION	4	4
			1	3
REF. PART NBR	DESCRIPTION		7	0
01 446401	NEEDLE POSITION SELECTOR LEVER ADJUSTING PLATE	X		X
02 531736	NEEDLE POSITION SELECTOR LEVER BRACKET FOLLOWER STUD ARM ASSEMBLY	X		X
03 445721	NEEDLE BAR DRIVING ARM SLIDE BRACKET RETAINING RING	X		X
04 356735-001	NEEDLE BAR DRIVING ARM SLIDE BRACKET COMPLETE	X		X
05 141913-451	NEEDLE POSITION LEVER BRACKET STUD ARM SET SCREW	X		X
06 113455-001	NEEDLE POSITION SELECTOR LEVER ADJUSTING PLATE SCREW	X		X
07 357089	DISC FOLLOWER STUD	X		X
08 54591-451	NEEDLE POSITION SELECTOR LEVER ADJUSTING PLATE SCREW NUT	X		X
09 445486	NEEDLE POSITION SELECTOR LEVER RETAINING RING	X		X
10 141913-451	NEEDLE POSITION SELECTOR LEVER SCREW	X		X
11 44628	NEEDLE POSITION SELECTOR LEVER BRACKET ASSEMBLY	X		X
12 356744	NEEDLE POSITION SELECTOR LEVER COMPLETE	X		X
13 356228	NEEDLE POSITION SELECTOR LEVER BRACKET POSITIONING PIN	X		X
14 444800	NEEDLE POSITION SELECTOR LEVER BRACKET POSITIONING PIN SPRING	X		X
15 357699-XXX	NEEDLE POSITION SELECTOR LEVER KNOB - (XXX-INDICATES THE COUNTRY)	X		X
16 49204	NEEDLE POSITION SELECTOR LEVER HINGE STUD WASHER	X		X
17 353585	DISC FOLLOWER STUD COLLAR	X		X
18 356838	NEEDLE POSITION SELECTOR LEVER BRACKET COMPLETE	X		X

PATTERN SELECTOR

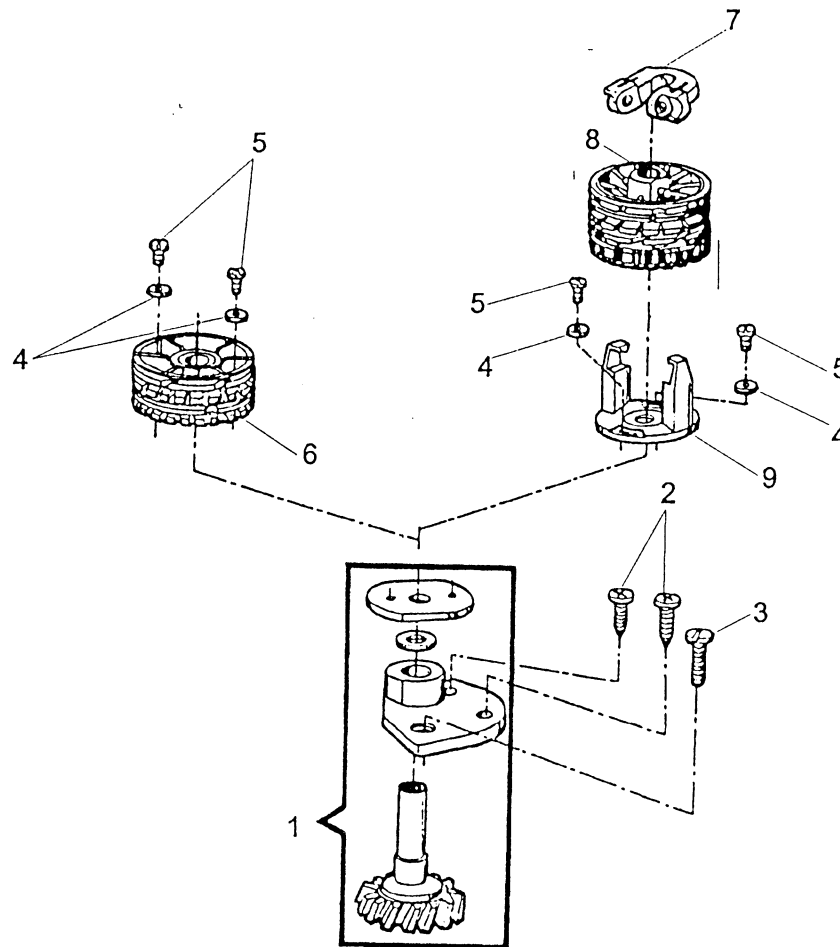


REV: _____
DATA: May/2000

**PARTS LIST
PATTERN SELECTOR**

REF. PART NBR	DESCRIPTION	5	5
		4	4
		1	3
		7	0
01 354826-451	DISC FOLLOWER DISENGAGING LEVER SCREW	X	X
02 356751	DISC FOLLOWER DISENGAGING LEVER BUSHING	X	X
03 353548	DISC FOLLOWER STUD WASHER	X	X
04 356768	DISC FOLLOWER SPRING	X	X
05 356770	DISC FOLLOWER COMPLETE	X	X
06 531699-451	DISC FOLLOWER ADJUSTING SCREW STUD NUT	X	X
07 445341	DISC FOLLOWER ADJUSTING SCREW STUD	X	X
08 356750	DISC FOLLOWER DISENGAGING LEVER	X	X
09 356752	DISC FOLLOWER DISENGAGING LEVER SPRING	X	X
10 603908-001	DISC SELECTOR CAM RETAINING RING	X	X
11 357000	DISC FOLLOWER DISENGAGING LEVER STUD	X	X
12 357710-XXX	PATTERN SELECTOR CAM/DIAL -(XXX-INDICATES THE COUNTRY)	X	X
13 355247-451	PATTERN SELECTOR CAM POSITIONER SCREW	X	X

CAM STACK



REV: _____
DATA: May/2000

**PARTS LIST
CAM STACK**

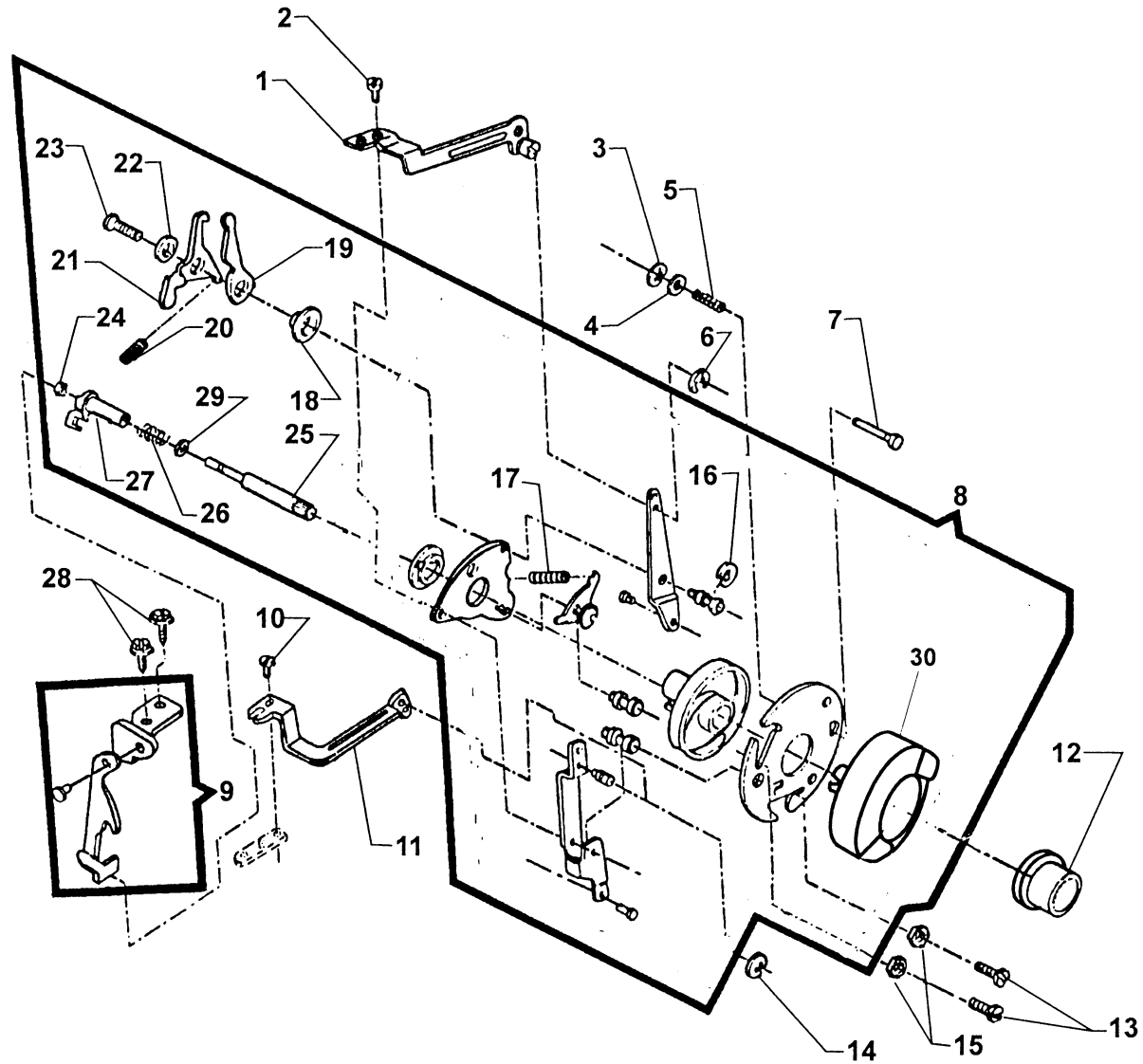
**5 5
4 4
1 3
7 0**

REF. PART NBR

DESCRIPTION

01	356982	DISC DRIVING GEAR SHAFT MOUNTING PLATE ASSEMBLY	X	X
02	113455-012	DISC DRIVING GEAR SHAFT MOUNTING PLATE SCREW	X	X
03	113455-012	DISC DRIVING GEAR SHAFT MOUNTING PLATE SCREW	X	X
04	356830-003	DISC STACK POSITIONING SCREW WASHER	X	X
05	141920-451	DISC STACK POSITIONING SCREW	X	X
06	356995	DISC STACK (PLASTIC)	X	-
07	356965-451	DISC STACK POSITIONING SCREW WASHER	-	X
08	357728-000	DISC STACK POSITIONING SCREW	-	X
09	356971	DISC DRIVING PLATE	-	X

BUTTONHOLER & FEED REGULATOR CAM



REV.: _____
DATA: May/2000

PARTS LIST
BUTTONHOLER AND FEED REGULATOR CAM

5
5
4
4
1
3
7
0

REF. PART NBR

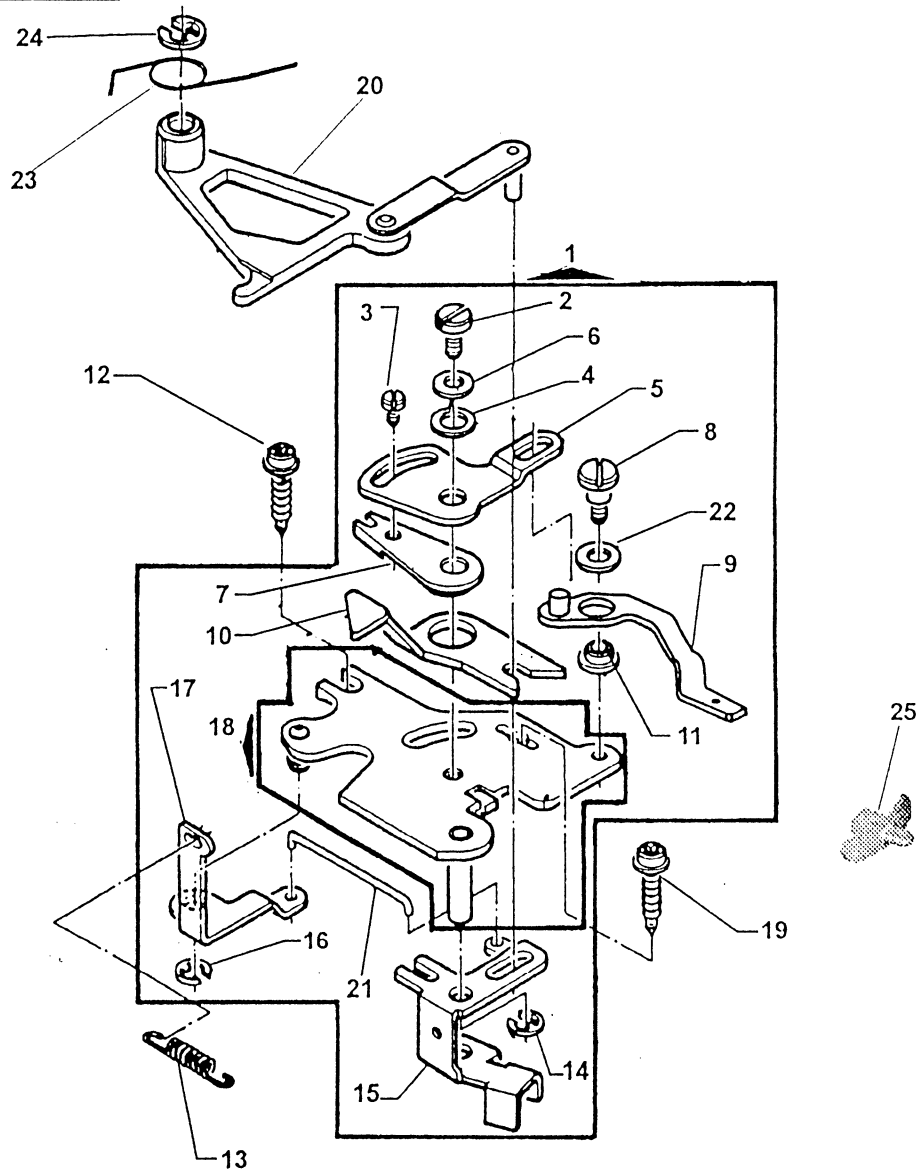
DESCRIPTION

REF. PART NBR	DESCRIPTION	7	0
01 353536	BH.NEEDLE POSITION CAM FOLLOWER LEVER LINK (RIGHT)	X	X
02 141913-451	BH.ND.POS.CAM FOLLOWER LEVER LINK (LEFT & RIGHT) SCREW	X	X
03 408030	BH.& FEED REGULATOR MECHANISM MTG.PLATE STUD RET.RING	X	X
04 445808	BH.& FEED REG.MECH.MTG.PLATE STUD SPRING WASHER	X	X
05 179949	BUTTONHOLER & FEED REG.MECH.MTG.PLATE STUD SPRING	X	X
06 445486	BH.BIGHT CONTROL CAM FOL.LEVER LINK (RIGHT) RET.RING	X	X
07 356230	BUTTONHOLER & FEED REGULATOR MECH.MTG.PLATE STUD	X	X
08 357738-XXX	BUTTONHOLER & FEED REGULATOR CAM COMPLETE(XXX-INDICATES THE COUNTRY)	X	X
08 357770-XXX	BUTTONHOLER & FEED REGULATOR CAM COMPLETE(XXX-INDICATES THE COUNTRY)	X	X
09 353304	FEED REGULATOR CONTROL ARM ASSEMBLY	X	X
10 141913-451	BUT. BIGHT CONT. CAM FOL. LEVER LINK(LEFT & RIGHT)SCREW	X	X
11 356748	BH.BIGHT CONTROL CAM FOLLOWER LEVER LINK (RIGHT)	X	X
12 357736-XXX	FEED REGULATOR POSITIONING PIN KNOB (XXX-INDICATES THE COUNTRY)	X	X
13 113513-451	BUTTONHOLER & FEED REGULATOR MECH.MTG.PLATE SCREW	X	X
14 445486	BH.RIGHT CONTROL CAM FOL.LEVER LINK (RIGHT) RET.RING	X	X
15 53640-819	BUTTONHOLER & FEED REG.MECH.MTG.PLATE SCREW NUT	X	X
16 353215	BUTTONHOLER NEEDLE POS.CAM FOLLOWER LEVER RET.RING	X	X
17 353495	BUTTONHOLER & FEED REG.CONTROL DIAL PAWL SPRING	X	X
18 353319	CAM CONTROL FEED ENG.CAM FOLLOWER & LEVER BUSHING	X	X
19 353321	CAM CONTROL FEED ENGAGING CAM FOLLOWER LEVER	X	X
20 353495	CAM CONTROL FEED ENG.CAM FOLLOWER & LEVER SPRING	X	X
21 353320	CAM CONTROL FEED ENGAGING CAM FOLLOWER	X	X
22 445539	CAM CONTROL FEED ENG.CAM FOLLOWER & LEVER WASHER	X	X
23 113372-451	CAM CONTROL FD.ENG.CAM FOLLOWER & LEVER MTG.SCREW	X	X
24 618638-005	FEED REGULATOR POSITIONING PIN CARRIER INSERT NUT	X	X
25 356650	FEED REGULATOR POSITIONING PIN	X	X
26 44892	FEED REGULATOR POSITIONING PIN FRICTION SPRING	X	X
27 357094	FEED REGULATOR POSITIONING PIN CARRIER	X	X
28 113455-001	FEED REGULATOR CONTROL ARM SCREW	X	X
29 356830-001	FEED REGULATOR POSITIONING PIN WASHER	X	X
30 357697-XXX	BUTTONHOLER AND FEED REGULATOR DIAL (XXX-INDICATES THE COUNTRY)	X	X

5400 SERIES
P/n 357790-002

Adopt.

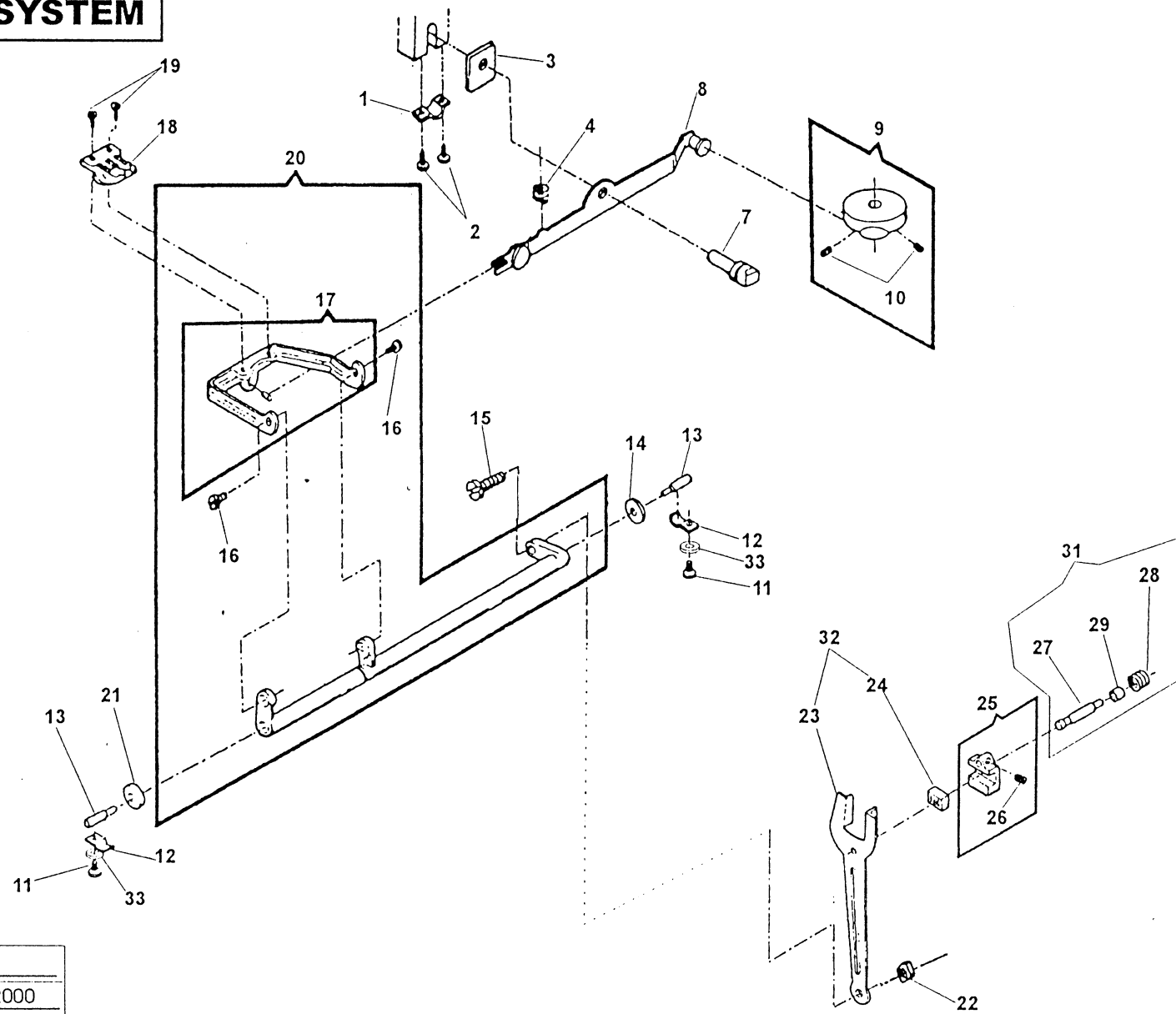
CAM CONTROLLED FEED



REV: _____
DATA: May/2000

		PARTS LIST	5	5
		CAM CONTROLLED FEED	4	4
			1	3
REF. PART NBR	DESCRIPTION		7	0
01	357742-000	CAM CONTROLLED FEED MOUNTING BRACKET COMPLETE	-	X
02	113423-451	CAM CONTROLLED FEED BALANCE ADJUSTING PLATE HINGE SCREW	-	X
03	141913-451	CAM CONTROLLED FEED BALANCE ADJUSTING SCREW	-	X
04	353492	CAM CONTROLLED FEED BALANCE ADJUSTING SCREW SPRING WASHER	-	X
05	531754	CAM CONTROLLED FEED BALANCE ADJUSTING PLATE	-	X
06	543531	CAM CONTROLLEDD FEED BALANCE ADJUSTING SCREW WASHER	-	X
07	353331	CAM CONTROLLED FEED DRIVING ARM ECCENTRIC	-	X
08	113424-451	CAM CONTROLLED FEED BALANCE ADJUSTING LEVER HINGE SCREW	-	X
09	357727-000	CAM CONTROLLED FEED BALANCE ADJUSTING LEVER ASSEMBLY	-	X
10	353330-001	CAM CONTROLLED FEED DRIVING ARM	-	X
11	353334	CAM CONTROLLED FEED BALANCE ADJUSTING LEVER MOUNTING BUSHING	-	X
12	355243-451	CAM CONTROLLED FEED MOUNTING BRACKET SCREW	-	X
13	356605	FEED REGULATOR CONTROL ARM BIAS LINK SPRING	-	X
14	445721	CAM CONTROLLED FEED ENGAGING CRANK RETAINING RING	-	X
15	353329	CAM CONTROLLED FEED ENGAGING CRANK	-	X
16	445486	CAM CONTROLLED FEED FOLLOWER & LINK RETAINING RING	-	X
17	356166	CAM CONTROLLED FEED ENGAGING CRANK LEVER	-	X
18	531750	CAM CONTROLLED FEED MOUNTING BRACKET ASSEMBLY	-	X
19	113455-003	CAM CONTROLLED FEED MOUNTING BRACKET SCREW (RIGHT)	-	X
20	356839	CAM CONTROLLED FEED FOLLOWER & LINK ASSEMBLY	-	X
21	353473	CAM CONTROLLED FEED ENGAGING CRANK LINK	-	X
22	179898-001	CAM CONTROLLED FEED BALANCE ADJUSTING LEVER WASHER	-	X
23	357003	CAM CONTROLLED FEED FOLLOWER DISENGAGING SPRING	-	X
24	445486	CAM CONTROLLED FEED FOLLOWER & LINK ASSEMBLY RETAINING RING	-	X
25	357700-XXX	CAM CONTROLLED FEED BALANCE ADJUSTING LEVER KNOB (XXX-INDICATES THE COUNTRY)	-	X

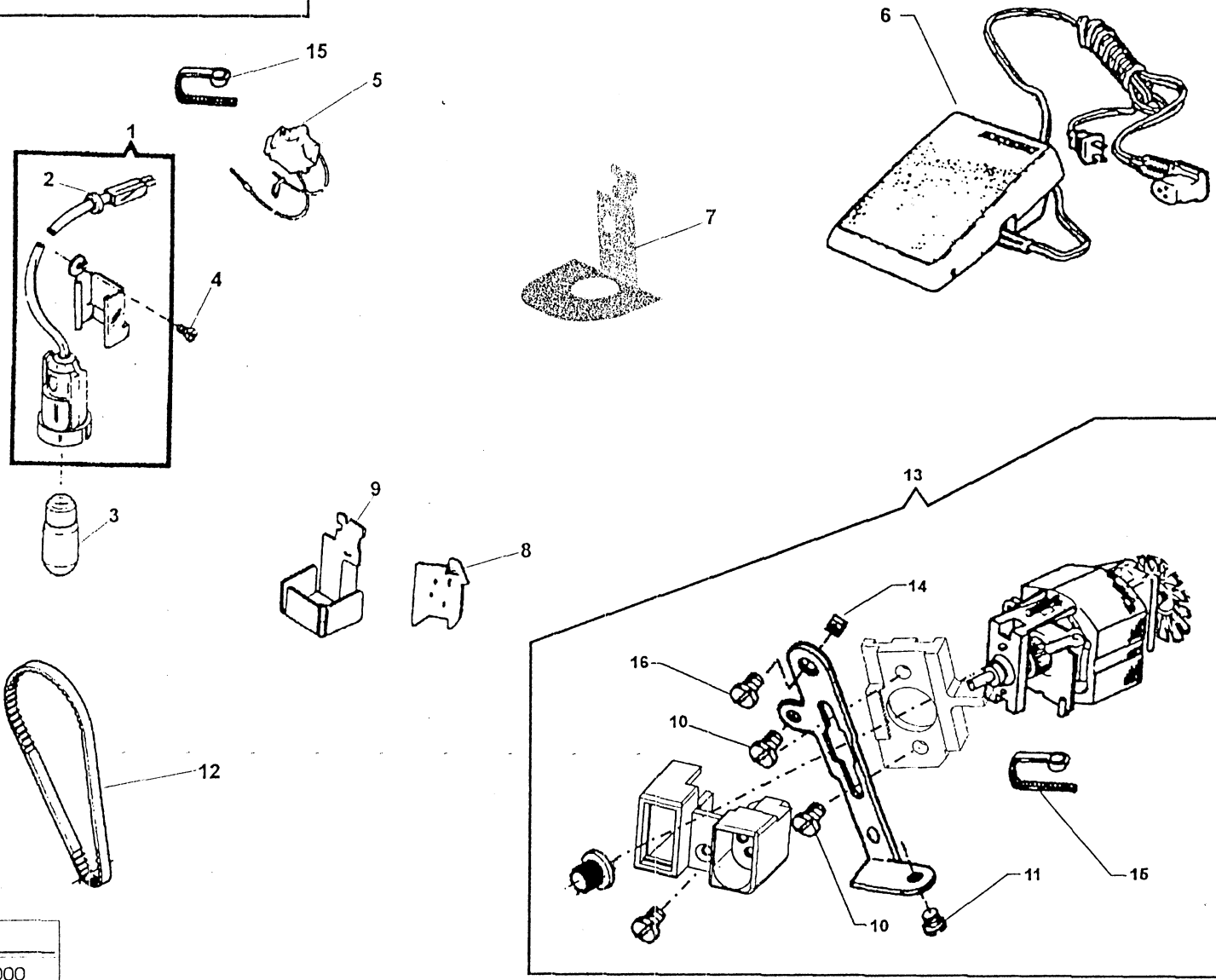
FEED SYSTEM



REV: _____
DATA: May/2000

		PARTS LIST	5	5
		FEED SYSTEM	4	4
REF. PART NBR	DESCRIPTION		1	3
			7	0
01	446485	FEED LIFTING LEVER HINGE STUD (ECCENTRIC) CLAMP	X	X
02	113455-001	FEED LIFTING LEVER HINGE STUD (ECCENTRIC) CLAMP SCREW	X	X
03	179955	FEED LIFTING LEVER HINGE STUD (ECCENTRIC) SPACER	X	X
04	446249	FEED LIFTING LEVER SPRING	X	X
07	357122-001	FEED LIFTING LEVER HINGE STUD (ECCENTRIC)	X	X
08	356222	FEED LEFTING LEVER ASSEMBLY	X	X
09	446228	FEED LIFTING CAM	X	X
10	544118	FEED LIFTING CAM SCREW	X	X
11	113455-001	FEED ROCK SHAFT CENTER SUPPORTING BRACKET SCREW	X	X
12	446484	FEED ROCK SHAFT CENTER CLAMP (LEFT & RIGHT)	X	X
13	446487-001	FEED ROCK SHAFT CENTER	X	X
14	353397	FEED ROCK SHAFT CENTER (RIGHT)NOISE DAMPENING WASHER	X	X
15	531623-451	FEED FORKED CONNECTION HINGE SCREW (ECCENTRIC)	X	X
16	354939-451	FEED BAR HINGE SCREW	X	X
17	446205	FEED BAR ASSEMBLY	X	X
18	179891	FEED DOG	X	X
19	355235-451	FEED DOG SCREW	X	X
20	446216	FEED ROCK SHAFT COMPLETE	X	X
21	353397	FEED ROCK SHAFT CENTER (LEFT) NOISE DAMPENING WASHER	X	X
22	53648-451	FEED FORKED CONNECTION SCREW STUD NUT	X	X
23	531926	FEED FORKED CONNECTION	X	X
24	44437	FEED FORKED CONNECTION SLIDE BLOCK	X	X
25	446244	FEED REGULATOR ASSEMBLY	X	X
26	141925-833	FEED REGULATOR SET SCREW	X	X
27	446483	FEED REGULATOR HINGE STUD	X	X
28	179890	FEED REGULATOR RETURN SPRING	X	X
29	445768	FEED REGULATOR RETURN SPRING BUSHING (PLASTIC)	X	X
31	353600	FEED REGULATOR HINGE STUD ASSEMBLY	X	X
32	357641-000	FEED FORKED CONNECTION WITH SLIDE BLOCK	X	X
33	353357-451	FEED ROCK SHAFT CENTER SUP.BRACKET SCREW WASHER	X	X

ELECTRIC EQUIPMENT



REV.: _____
DATE: May/2000

		PARTS LIST	5	5
		ELECTRICAL EQUIPMENT	4	4
REF. PART NBR	DESCRIPTION	1	3	0
		7		
01	362001-007	LIGHT LEAD COMPLETE L15 (INON-REG.)	X	X
01	362160-002	LIGHT LEAD COMPLETE L15B (USA/CANADA)	X	X
01	362160-003	LIGHT LEAD COMPLETE L15B (USA/DOUBLE INSULATED)	X	X
01	605488-025	LIGHT LEAD COMPLETE L9 (EUROPE)	X	X
02	179908	LIGHT LEAD GROMMET	X	X
03	988076-001	LAMP (120V)	X	X
03	988076-003	LAMP (220/250V)	X	X
04	354592-451	LIGHT SOCKET MOUNTING SCREW	X	X
05	362307-001	SWITCH COMPLETE	X	X
06	362095-XXX	CONTROLLER (XXX-INDICATES THE COUNTRY)	X	X
07	357778-000	LIGHT SHIELD	X	X
08	179910-XXX	LIGHT SHIELD (XXX-INDICATES THE COUNTRY)	X	X
09	605087-001	HEAT SHIELD (EUROPE)	X	X
10	362264-901	MOTOR MOUNTING PLATE CLAMP SCREW	X	X
11	113370-451	MOTOR MOUNTING PLATE SCREW (LOWER)	X	X
12	353518-001	MOTOR BELT (V)	X	X
13	362180-XXX	MOTOR COMPLETE (XXX-INDICATES THE COUNTRY)	X	X
14	313470-452	MOTOR MOUNTING PLATE SCREW NUT	X	X
15	605600-004	TYE RAP	X	X
16	113372-451	MOTOR MOUNTING PLATE SCREW (UPPER)	X	X