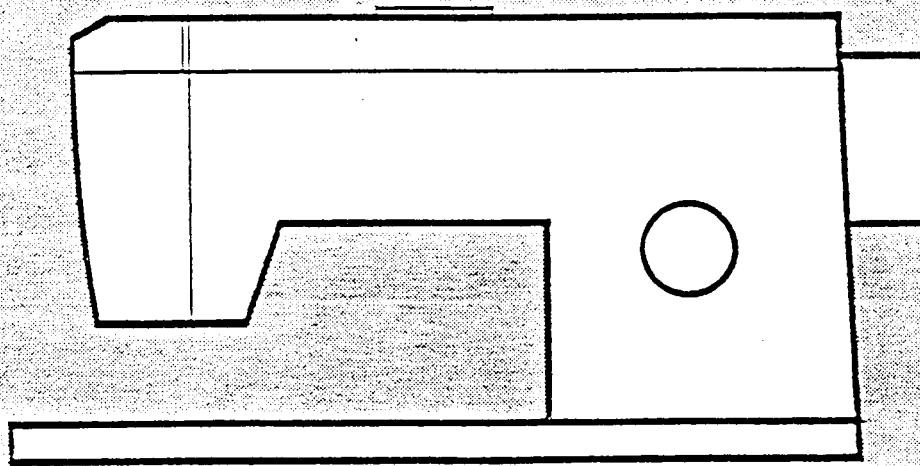


SINGER
5160/5170/5180

LIST OF PARTS

Model 5160, 5170, 5180

HOUSEHOLD SEWING MACHINES



by **SINGER***



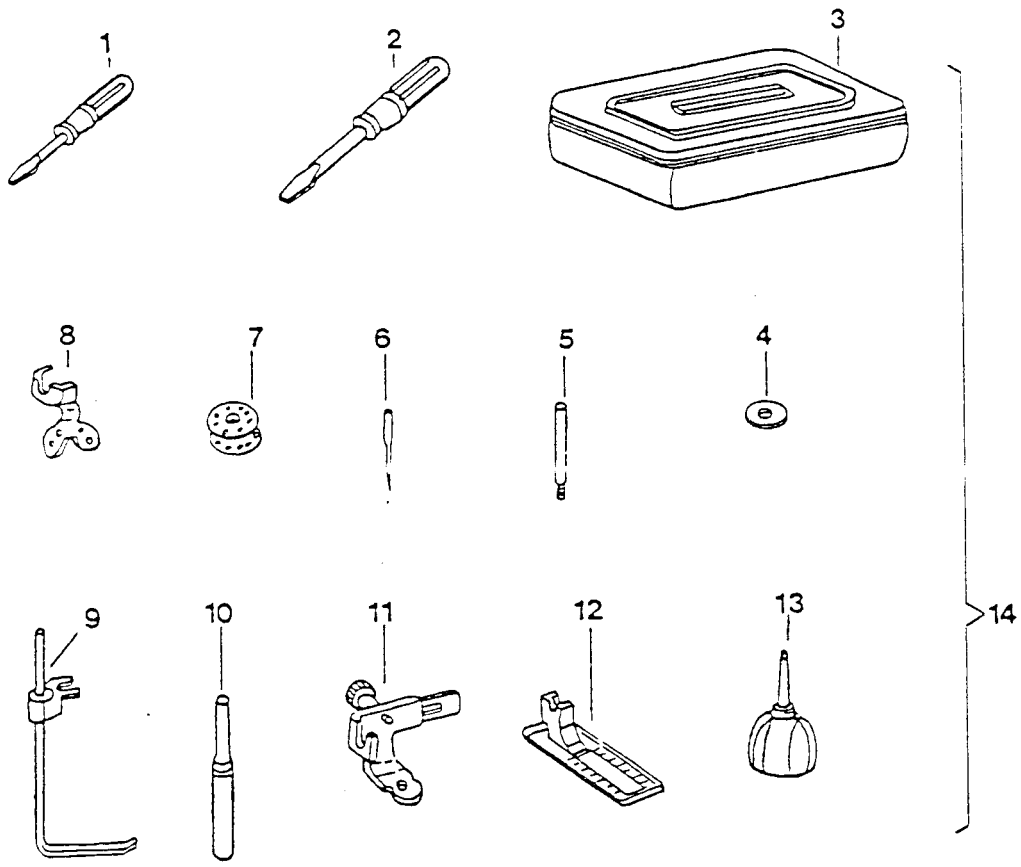
Copyright © 1981 THE SINGER COMPANY
All Rights Reserved Throughout the World

*A Trademark of THE SINGER COMPANY

CONTENTS

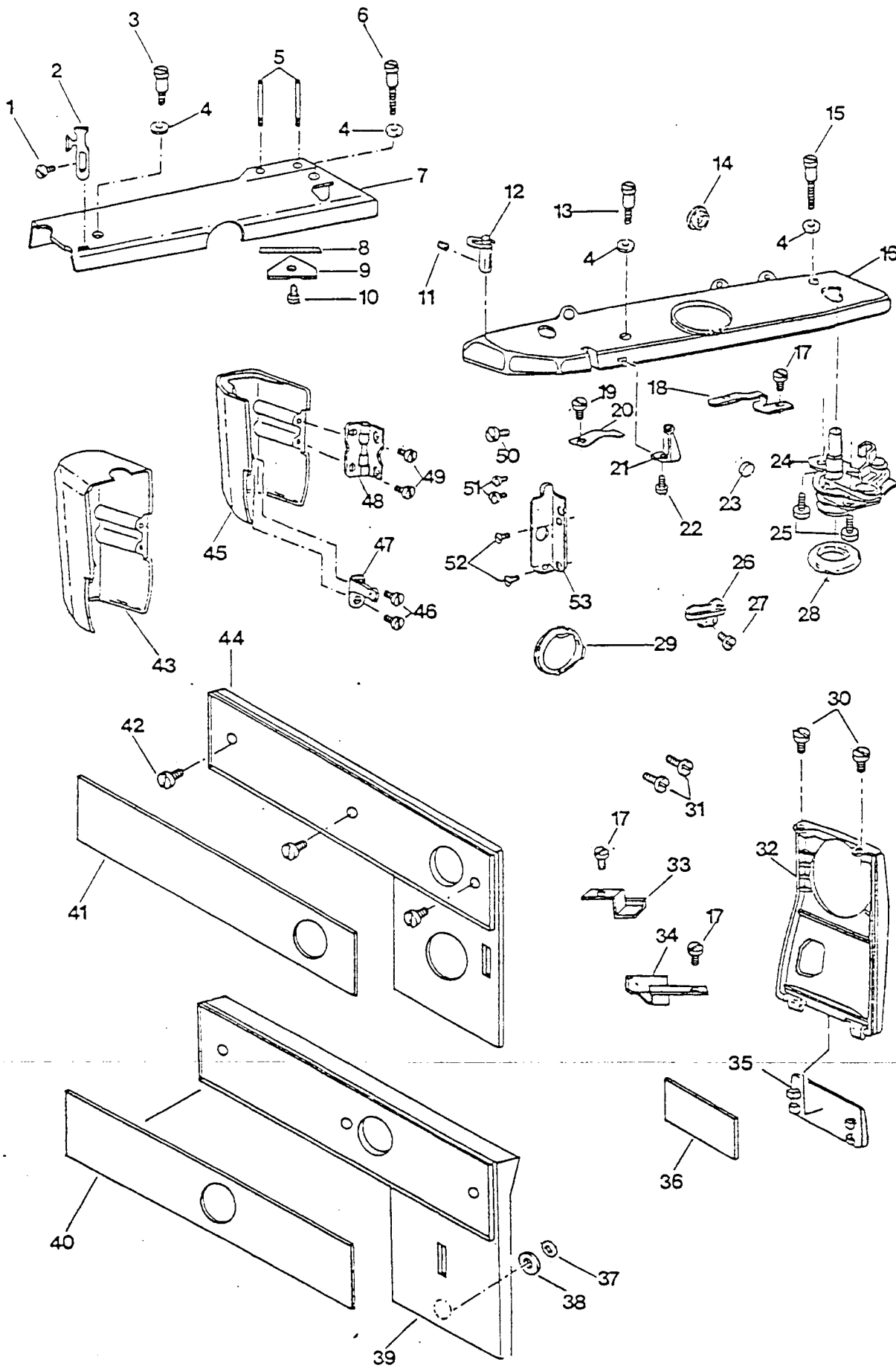
PAGE NO.	SUBASSEMBLY
1,2	ATTACHMENT SET
3-6	COVERS AND ADD ONS
7,8	SHUTTLE AND SHUTTLE DRIVE
9,10	HEAD END MODULE
11,12	ARMSHAFT, HANDWHEEL AND DIALS
13-16	FEED CONTROL MECHANISMS
17,18	CAM CONTROL MECHANISM
19,20	ELECTRICAL EQUIPMENT

ATTACHMENT SET

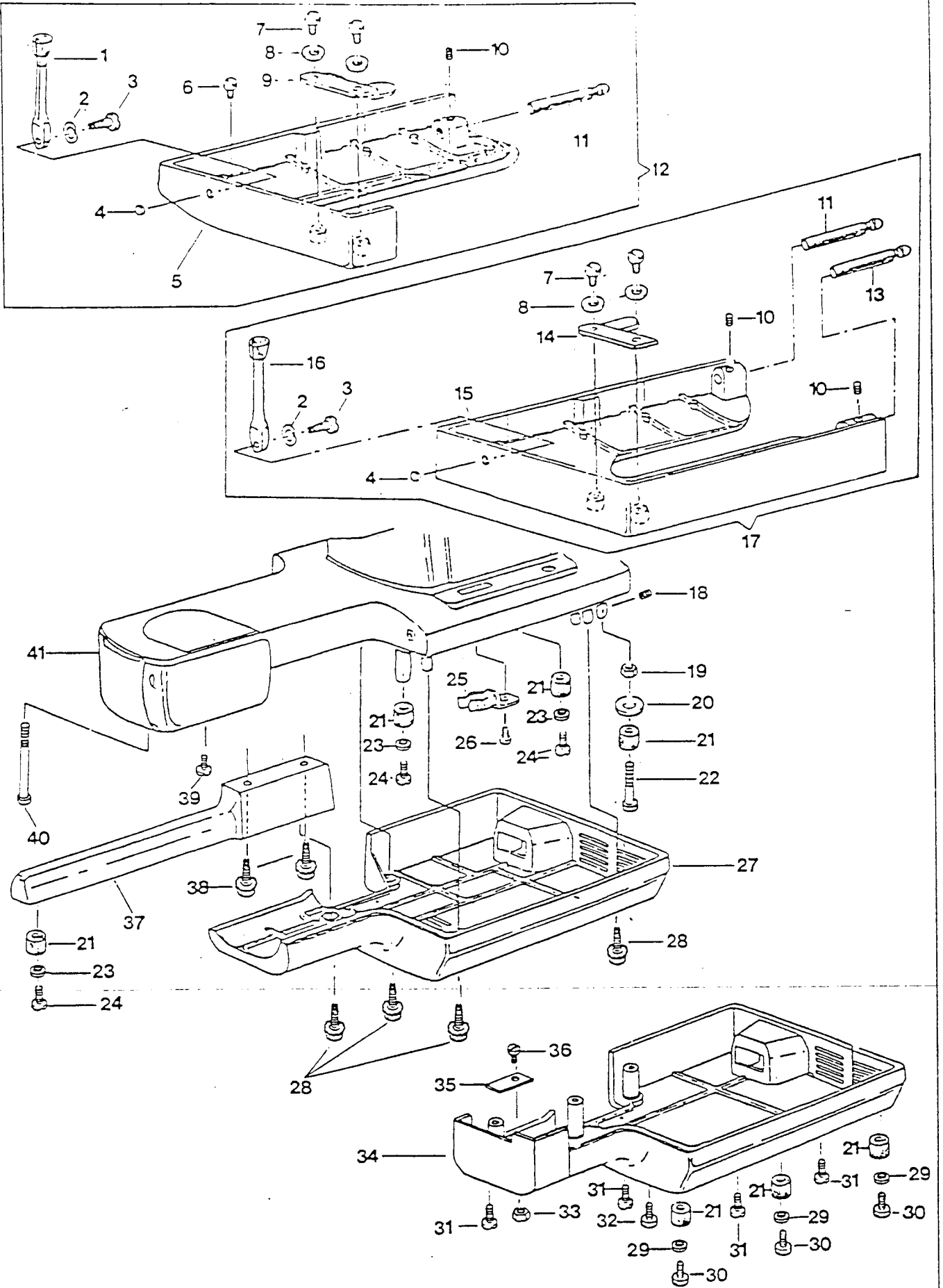


REF.	PART #	MACHINE COVERS	5	5	5			
			1	1	1			
			8	6	7			
			0	0	0			
1	170624	Thread Guide Set Screw			X			
2	170625	Arm Top Cover Thread Guide			X			
3	170626	Arm Top Cover Screw			X			
4	170627	Arm Top Cover Screw Washer	X	X	X			
5	170628	Spool Pin	X	X	X			
6	170629	Arm Top Cover Screw			X			
7	170630	Arm Top Cover			X			
8	170631	Spool Pin Spring	X	X	X			
9	170632	Spool Pin Spring Presser	X	X	X			
10	170633	Spool Pin Spring Presser Screw	X	X	X			
11	170634	Thread Guide Set Screw	X	X				
12	170635	Arm Top Cover Thread Guide	X	X				
13	170636	Arm Top Cover Screw	X	X				
14	170637	Hole Cap	X	X				
15	170638	Arm Top Cover Screw	X	X				
16	170639	Arm Top Cover	X	X				
17	170640	Cord Guide Bracket Screw	X	X	X			
18	170641	Cord Guide Bracket	X	X				
19	170642	Spring Screw	X	X				
20	170643	Spring Clip	X	X				
21	170644	Thread Guide	X	X				
22	170645	Thread Guide Screw	X	X				
23	170646	Hole Cap	X					
24	170647	Bobbin Winder	X	X	X			
25	170648	Bobbin Winder Mounting Screw (2)	X	X	X			
26	170649	Thread Guide	X	X	X			
27	170650	Thread Guide Screw	X	X	X			
28	170651	Bobbin Winder Rubber O Ring	X	X	X			
29	170652	Bed Cap	X	X				
30	170653	End Cover Mounting Screw (2)	X	X	X			
31	170654	Bed Screw (2)		X				
32	170655	End Cover Plate	X					
	170656	End Cover Plate		X				
	170657	End Cover Plate			X			
33	170958	Cord Holder			X			
34	170959	Cord Guide Bracket			X			
35	170660	Lower Cover Plate	X					
36	170661	Lower Cover Plate 170661			X			
37	170662	Stitch Plate Retaining Washer	X	X	X			
38	170663	Stitch Plate Washer	X	X	X			
39	170964	Stitch Plate			X			
40	170665	Stitch Plate Panel			X			
41	170666	Stitch Plate Panel	X	X				
42	170667	Stitch Plate Set Screw (3)	X	X	X			
43	170668	Face Plate Cover			X			
44	170669	Stitch Plate	X					
	170670	Stitch Plate			X			
45	170671	Face Plate Cover	X					
	170672	Face Plate Cover			X			
46	170673	Face Plate Cover Stopper Screw (2)	X	X	X			
47	170674	Face Plate Cover Stopper	X	X	X			
48	170675	Face Plate Cover Hinge	X	X	X			
49	170676	Face Plate Cover Hinge Screw (2)	X	X	X			
50	170677	Set Screw	X	X	X			
51	170578	Set Screw (2)	X	X	X			
52	170679	Arm Thread Guide Mounting Screw (2)	X	X	X			
53	170680	Arm Thread Guide	X	X	X			

MACHINE COVERS AND ADD ONS



MACHINE COVERS (Cont.)



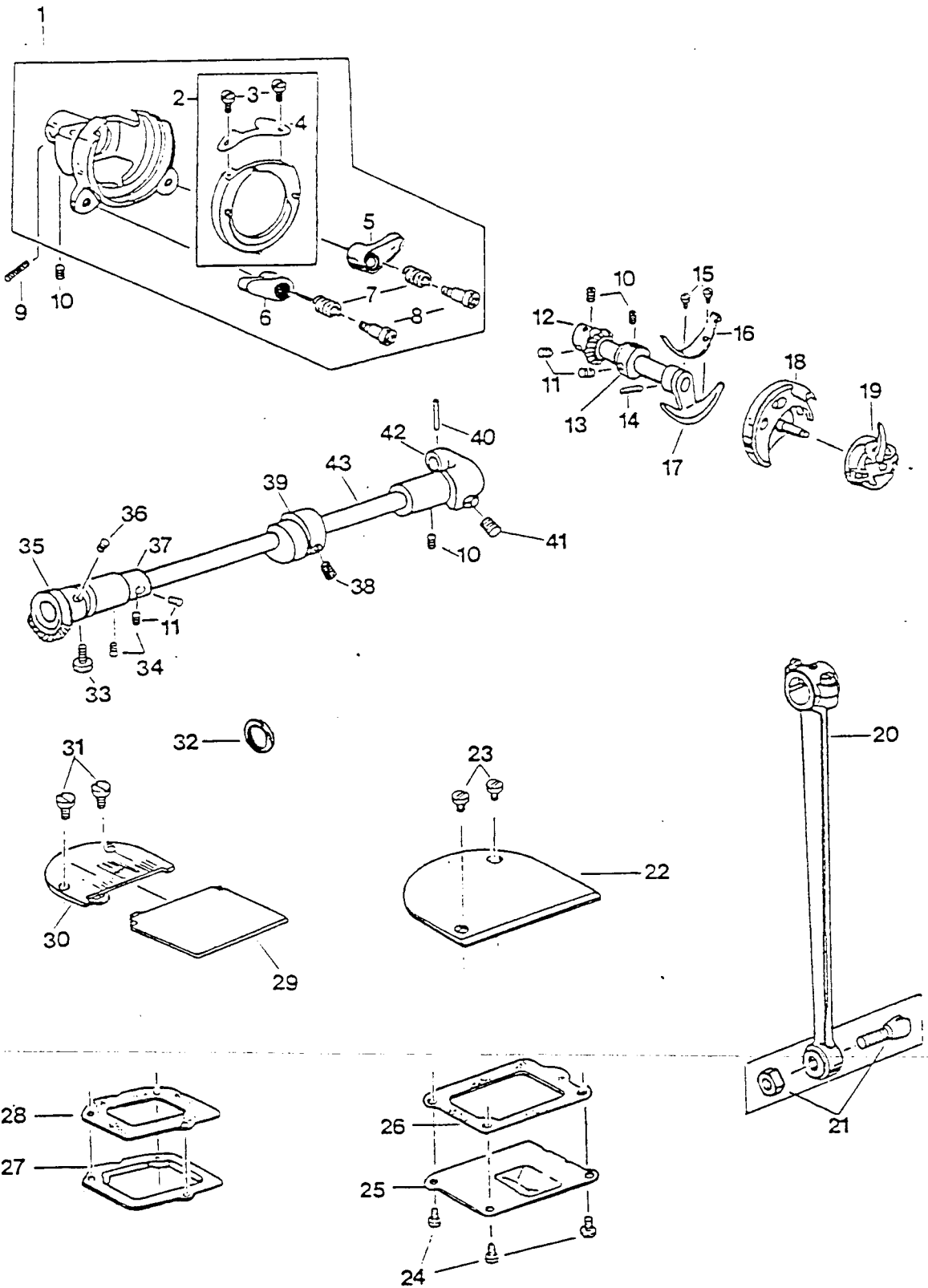
5180/5170/5160 PARTS LIST

REF.	PART #	MACHINE COVERS (CONT.)	5	5	5	1	1	1	1
			1	1	1	1	1	1	1
			8	6	7	1	1	1	1
			10	0	10	1	1	1	1
1	170681	Stay Leg	X						
2	170682	Stay Leg Screw Spring Washer	X	X					
3	170683	Stay Leg Screw	X	X					
4	170684	Extension Table Screw Cap	X	X					
5	170685	Extension Table		X					
6	170686	Extension Table Screw	X	X					
7	170687	Plastic Receiver Mounting Screw	X	X					
8	170688	Receiver Screw Washer (2)	X	X					
9	170689	Plastic Receiver	X						
10	170690	Extension Table Mounting Pin Set Screw	X	X					
11	170691	Extension Table Mounting Pin	X	X					
12	170692	Extension Table Compl.	X						
13	170693	Extension Table Mounting Pin		X					
14	170694	Plastic Reciever		X					
15	170696	Extension Table		X					
16	170695	Stay Leg		X					
17	170697	Extention Table Complete		X					
18	170698	Red Set Screw	X						
19	170699	Rubber Cushion Screw Nut	X						
20	170700	Rubber Cushion Screw Washer	X						
21	170701	Rubber Cushion (4)	X						
22	170702	Rubber Cushion Mounting Screw	X						
23	170724	Rubber Cushion Mounting Screw Washer (3)	X	X					
24	170703	Rubber Cushion Mounting Screw (3)	X						
25	170704	Spring Stopper	X						
26	170705	Spring Stopper Mounting Screw	X						
27	170706	Bottom Cover	X						
28	170708	Bottom Cover Mounting Screw w/Washer (4)	X						
29	170709	Bottom Cover Mounting Washer		X					
30	170710	Rubber Cushion Mounting Screw (3)		X					
31	170711	Bottom Cover Mounting Screw (4)		X					
32	170712	Bottom Cover Mounting Screw		X					
33	170713	Shuttle Cover Set Screw Nut		X					
34	170714	Bottom Cover		X					
35	170715	Shuttle Cover Set Spring		X					
36	170716	Shuttle Cover Set Spring Screw		X					
37	170717	Extension Leg	X						
	170718	Extension Leg		X					
38	170719	Extension Leg Mounting Screw (2)	X	X					
39	170720	Screw	X						
40	170721	Shuttle Cover Plate Screw	X						
41	170722	Shuttle Cover Plate	X						
	170723	Shuttle Cover Plate		X					

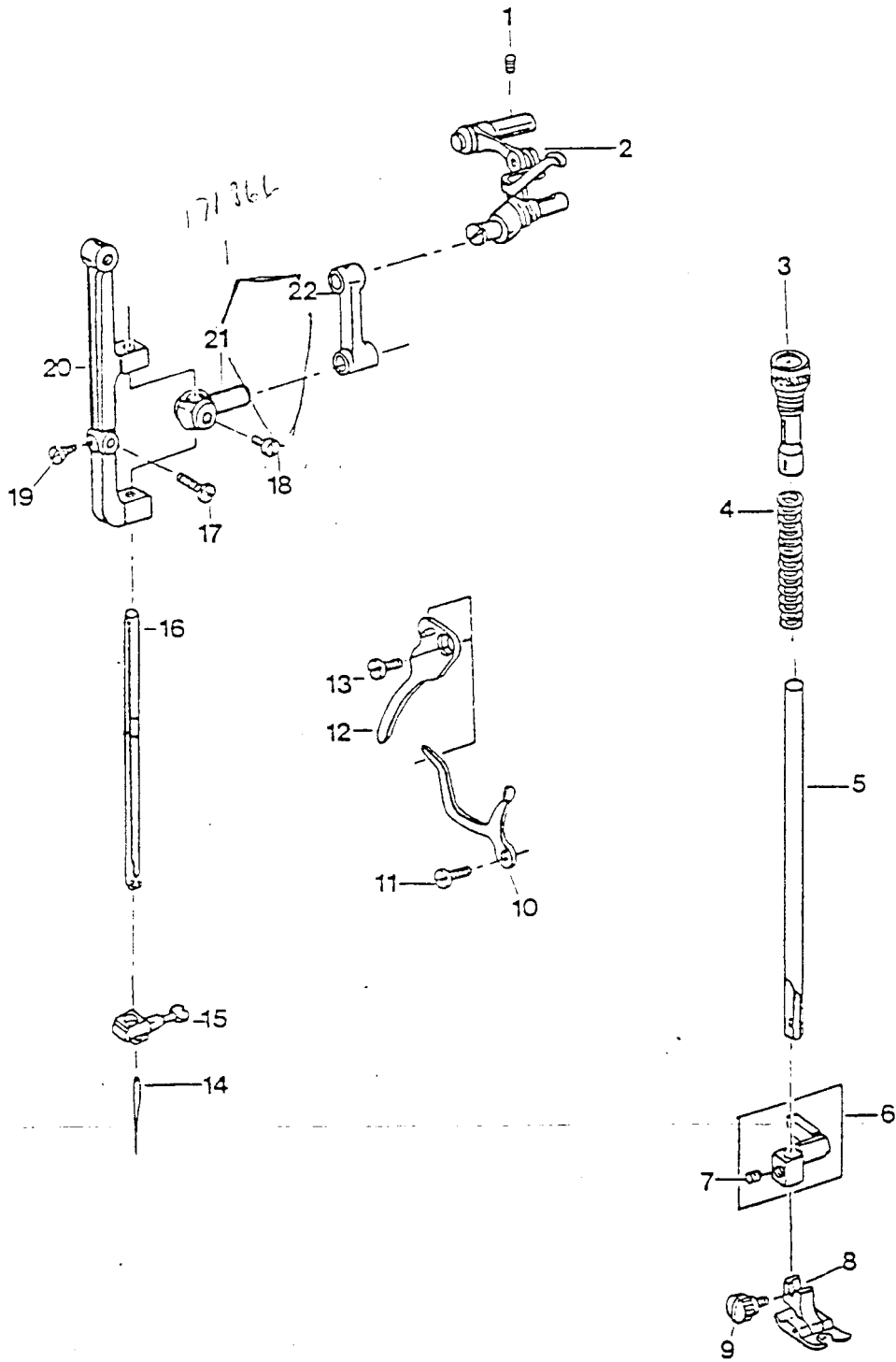
5160/5170/5160 PARTS LIST

REF.	PART #	SHUTTLE AND SHUTTLE DRIVE	5	5	5			
			1	1	1			
			8	6	7			
			0	0	0			
1	170725	Shuttle Race Assembly	X	X	X			
2	170726	Shuttle Race Gate Complete	X	X	X			
3	170727	Shuttle Race Gate Cap Screw	X	X	X			
4	170728	Shuttle Race Cap	X	X	X			
5	170729	Shuttle Race Latch (left)	X	X	X			
6	170730	Shuttle Race Latch (right)	X	X	X			
7	170731	Shuttle Race Latch Spring	X	X	X			
8	170732	Shuttle Race Latch Screw (2)	X	X	X			
9	170733	Shuttle Race Set Screw	X	X	X			
10	170734	Gear and Bushing Set Screw (4)	X	X	X			
11	170735	Gear and Bushing Set Screw (4)	X	X	X			
12	170955	Shuttle Driver Gear	X	X	X			
13	170957	Shuttle Driver Bushing	X	X	X			
14	170736	Driver Shaft Set Pin	X	X	X			
15	170738	Shuttle Driver Spring Screw	X	X	X			
16	170737	Shuttle Driver Spring	X	X	X			
17	170993	Shuttle Driver	X	X	X			
18	170739	Shuttle Hook	X	X	X			
19	170740	Bobbin Case Complete	X	X	X			
20	170741	Connecting Rod	X		X			
	170742	Connecting Rod		X				
21	170743	Connecting Rod Screw and Nut Complete	X	X	X			
22	170744	Needle Plate	X		X			
23	170745	Needle Plate Screw (2)	X	X	X			
24	170746	Gear Box Cover Screw (3)	X	X	X			
25	170747	Gear Box Cover	X		X			
26	170748	Fiber Gasket	X		X			
27	170751	Gear Box Cover		X				
28	170752	Fiber Gasket		X				
29	170749	Slide Plate		X				
30	170750	Needle Plate		X				
31	170759	Needle Plate Spring Screw (2)	X	X	X			
32	170753	Ring		X				
33	170754	Gear Set Screw	X		X			
	170755	Gear Set Screw		X				
34	170756	Shaft Bushing Set Screw	X	X	X			
35	170994	Oscillating Shaft Gear	X	X	X			
36	170757	Gear Set Screw	X	X	X			
37	170995	Oscillating Shaft Collar	X	X	X			
38	170758	Cam Set Screw	X	X	X			
39	170996	Oscillating Shaft Cam	X	X	X			
40	170997	Oscillating Shaft Crank Pin	X	X	X			
41	170998	Oscillating Shaft Crank Set Screw	X	X	X			
42	170999	Oscillating Shaft Crank	X	X	X			
43	171000	Oscillating Shaft	X	X	X			

SHUTTLE AND SHUTTLE DRIVE



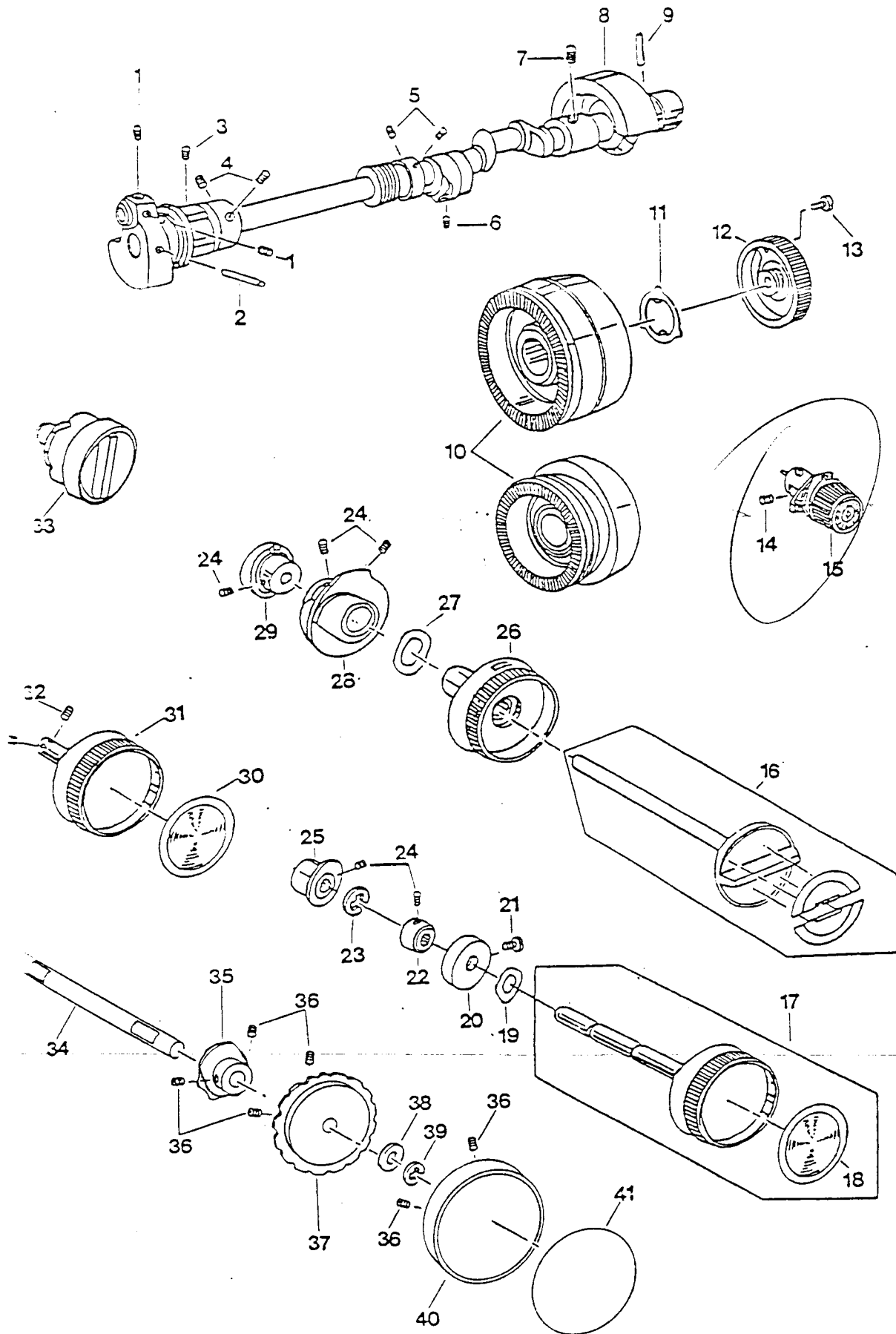
HEAD END MODULE



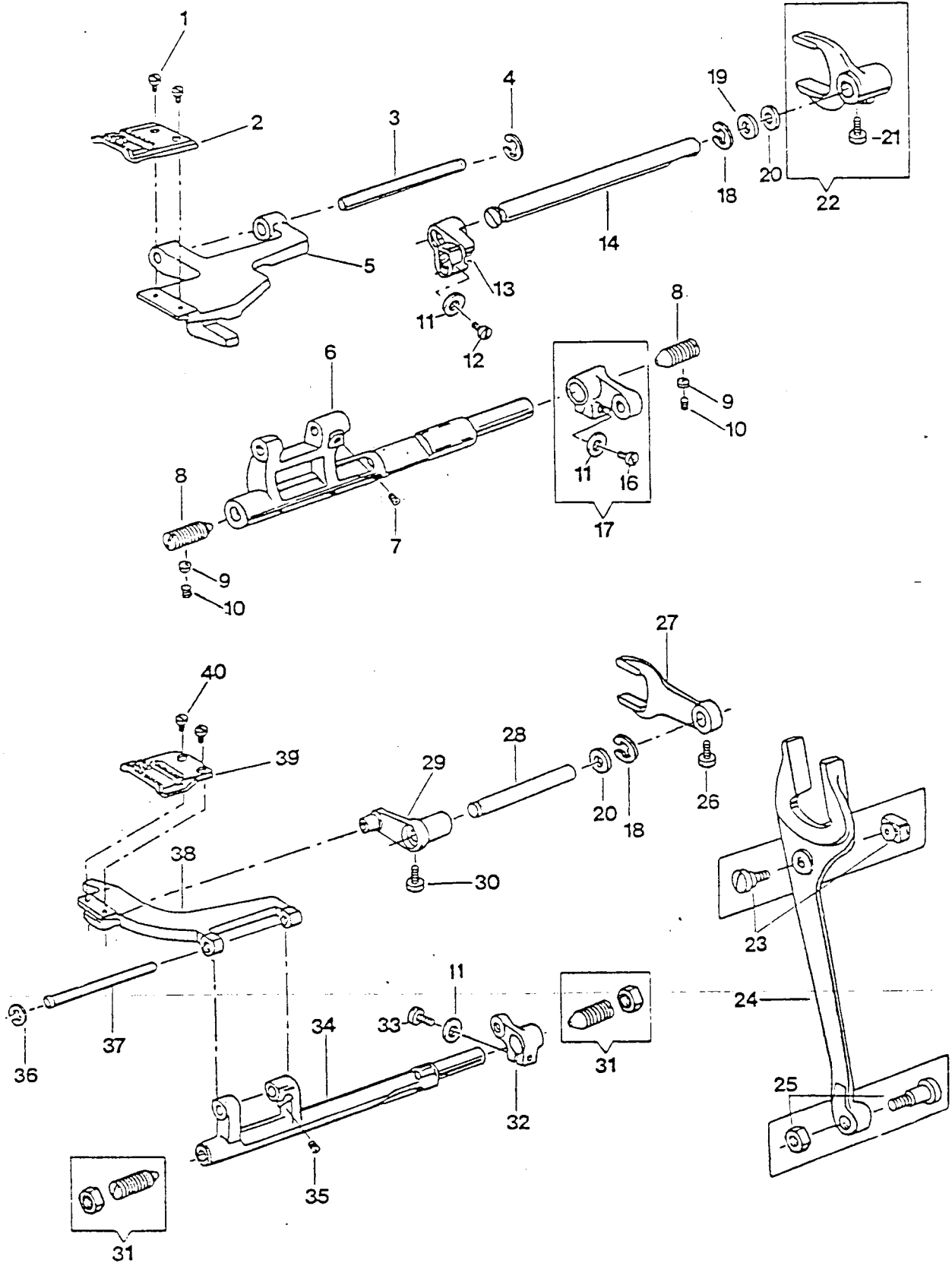
5180/5170/5160 PARTS LIST

REF.	PART #	ARMSHAFT, HANDWHEEL AND SELECTOR DIALS	5	5	5			
			1	1	1			
			8	6	7			
			0	0	0			
1	170783	Crank Pin Set Screw	X	X	X			
2	170785	Bushing Set Screw	X	X	X			
4	170786	Collar Set Screw (2)	X	X	X			
5	170787	Gear Set Screw (2)	X	X	X			
6	170788	Feed Cam Set Screw	X	X	X			
7	170789	Bushing Set Screw	X	X	X			
8	170790	Clutch Sleeve	X	X	X			
9	170791	Clutch Sleeve Pin	X	X	X			
10	170792	Handwheel Complete	X	X				
	170793	Handwheel Complete			X			
11	170794	Clamp Motion Stop Washer	X	X	X			
12	170795	Clamp Motion Stop Screw	X	X	X			
13	170796	Clamp Stop Motion Stop Screw	X	X	X			
14	170797	Tension Dial Complete	X	X	X			
15	170798	Tension Dial Set Screw	X	X	X			
16	170799	Dial Knob	X	X				
17	170800	Knob Assembly	X	X				
18	170801	Dial Plate	X	X				
19	170802	Spring Washer	X	X				
20	170803	Bearing	X	X				
21	170804	Bearing Set Screw	X	X				
22	170805	Collar	X	X				
23	170806	Retaining Ring	X	X				
24	170807	Collar and Cam Set Screw (5)	X	X				
25	170808	Cam	X	X				
26	170809	Dial Knob	X	X				
27	170810	Spring Washer	X	X				
28	170811	Cam	X	X				
29	170812	Cam	X	X				
30	170813	Dial Plate			X			
31	170814	Dial Knob			X			
32	170815	Dial Knob Set Screw			X			
33	170816	Dial with Cam Complete	X	X				
34	170953	Select Dial Shaft			X			
35	170952	Stretch Stitch Cam			X			
36	170937	Set Screw			X			
37	170951	Selection Cam			X			
38	170950	Washer			X			
39	170949	Retaining Ring			X			
40	170948	Selection Dial			X			
41	170947	Dial Plate			X			

ARMS-AFT, HAND-HEEL & SELECTOR DIALS



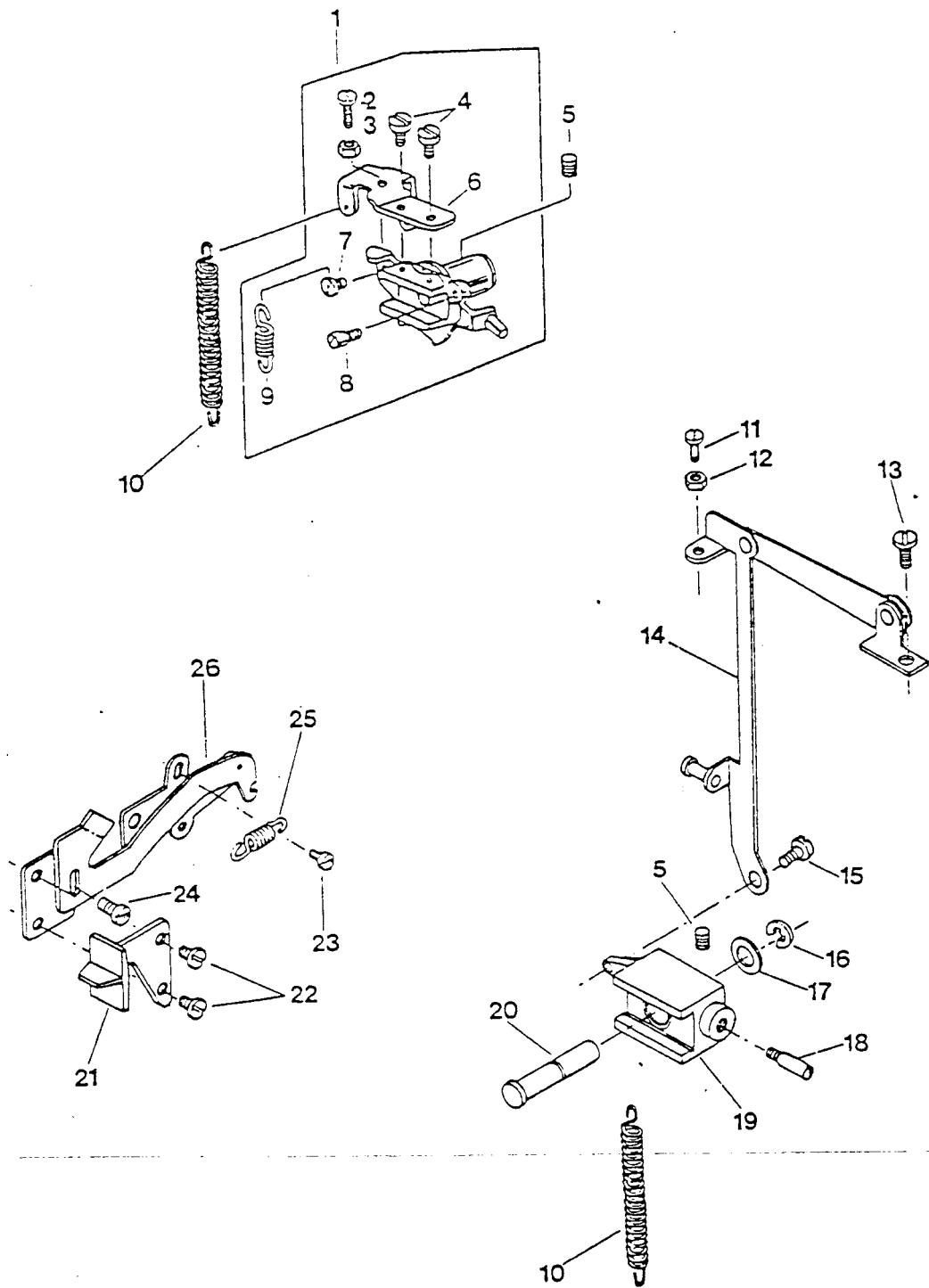
FEED MECHANISM



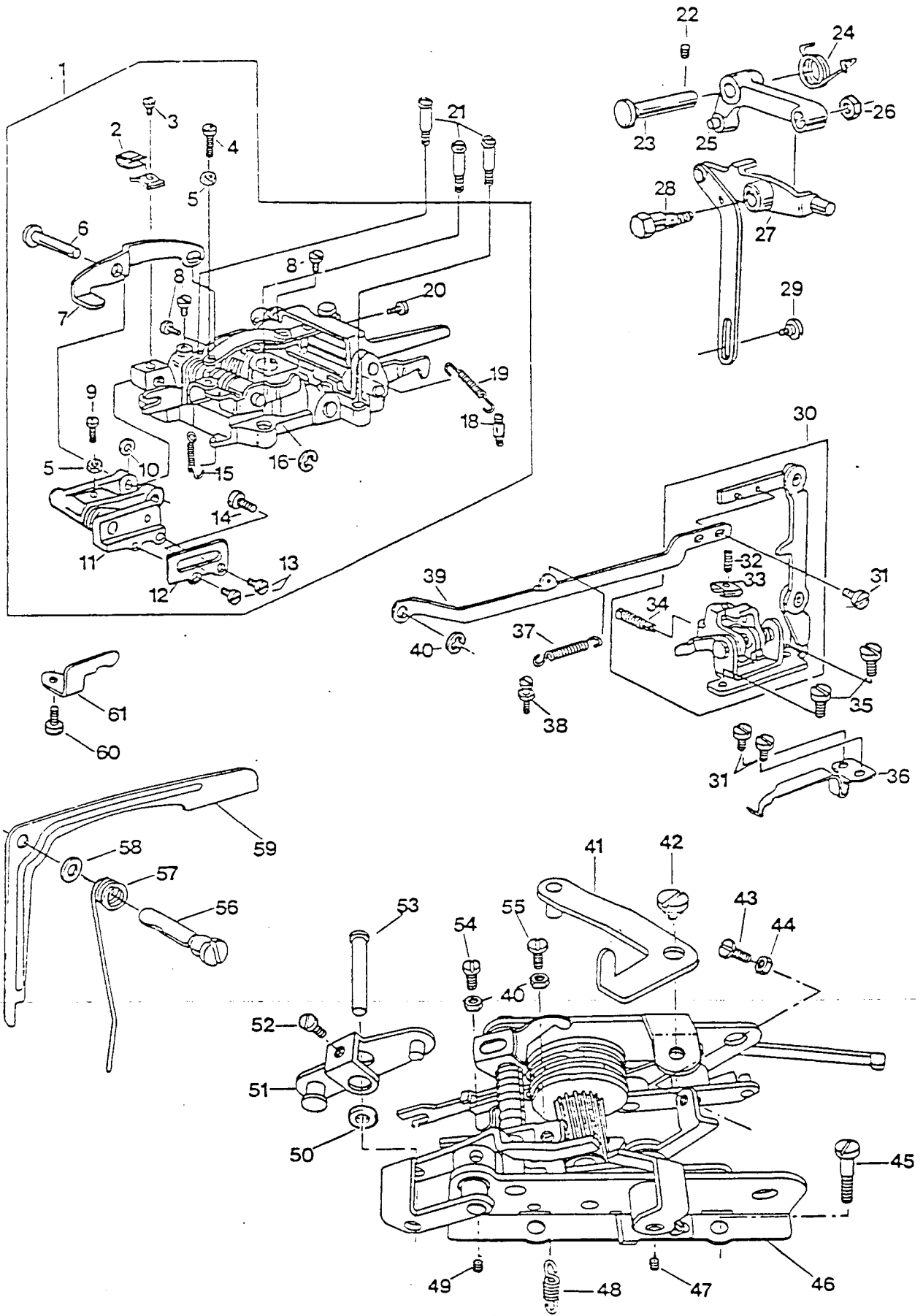
5130/5170/5160 PARTS LIST

REF.	PART #	FEED MECHANISM	5	5	5			
			1	1	1			
			8	6	7			
			0	0	0			
1	170817	Feed Dog Screw	X	X				
2	170818	Feed Dog	X	X				
3	170820	Shaft	X	X				
4	170819	Retaining Ring	X	X				
5	170821	Feed Bracket	X	X				
6	170822	Feed Rock Shaft	X	X				
7	170823	Set Screw	X	X				
8	170824	Feed Rock Shaft Center Screw (2)	X	X				
9	170825	Cushion	X	X				
10	170826	Set Screw	X	X				
11	170841	Crank Screw Washer		X				
12	170835	Feed Rock Shaft Crank Set Screw	X	X				
13	170829	Rocker Arm	X	X				
14	170827	Feed Rock Shaft Spindle	X	X				
16	170834	Feed Rock Shaft Crank	X	X				
17	170828	Feed Rock Shaft Crank	X	X				
18	170851	Retaining Ring		X				
19	170830	Washer	X	X				
20	170832	Washer	X	X	X			
21	170833	Fork Crank Screw	X	X				
22	170831	Fork Crank	X	X				
23	170836	Feed Forked Connection Screw with Block	X	X	X			
24	170837	Feed Forked Connection	X	X				
24	170845	Feed Forked Connection		X				
25	170838	Feed Forked Connection Screw with Nut	X	X	X			
26	170955	Fork Connection Set Screw		X				
27	170855	Fork Connection		X				
28	170852	Shaft		X				
29	170853	Feed Rock Shaft Crank		X				
30	170854	Shaft Crank Set Screw		X				
31	170839	Feed Rock Shaft Center Screw with Nut (2)		X				
32	170840	Feed Rock Shaft Crank		X				
33	170842	Crank Screw		X				
34	170843	Feed Rock Shaft		X				
35	170844	Feed Rock Shaft Set Screw		X				
36	170846	Retaining Ring		X				
37	170847	Feed Bar Shaft		X				
38	170848	Feed Bar		X				
39	170849	Feed Dog		X				
40	170850	Feed Dog Screw		X				

FEED MECHANISM



CAM CONTROL MECHANISM



REF.	PART #	ICAM CONTROL MECHANISM	8	6	7	1	1
			0	0	0	1	1
1	170887	Zig-Zag Mechanism Complete	X	X	X		
2	170888	Cord Holder Bracket	X	X	X		
3	170889	Cord Holder Bracket Mounting Screw	X	X	X		
4	170890	Adjusting Screw	X	X	X		
5	170891	Adjusting Screw Nut (2)	X	X	X		
6	170892	Needle Position Lever Pin	X	X	X		
7	170893	Needle Position Lever	X	X	X		
8	170894	Mounting Screw (3)	X	X	X		
9	170895	Adjusting Screw	X	X	X		
10	170896	Needle Position Lever Pin Washer	X	X	X		
11	170897	Needle Position Base	X	X	X		
12	170898	Needle Position Base Plate	X	X	X		
13	170899	Needle Position Base Plate Mounting Screw (2)	X	X	X		
14	170900	Shoulder Screw	X	X	X		
15	170901	Spring (small)	X	X	X		
16	170902	Retaining Ring	X	X	X		
18	170903	Shoulder Screw	X	X	X		
19	170904	Spring (large)	X	X	X		
20	170905	Mounting Screw	X	X	X		
21	170906	Zig-Zag Mech. Mounting Screw (3)	X	X	X		
22	170907	Lever Pin Set Screw	X	X	X		
23	170908	Lever Pin	X	X	X		
24	170909	Lever Spring	X	X	X		
25	170910	Lever	X	X	X		
26	170911	Rod Shoulder Screw Nut	X	X	X		
27	170912	Rod	X	X	X		
28	170913	Shoulder Screw	X	X	X		
29	170914	Mounting Screw	X	X	X		
30	170915	Buttonhole Lever Assembly	X	X	X		
31	170916	Lever Mounting Screw	X	X	X		
32	170917	Set Screw	X	X	X		
33	170918	Spring	X	X	X		
34	170919	Spring	X	X	X		
35	170920	Mounting Screw (2)	X	X	X		
36	170921	Decent Spring	X	X	X		
37	170922	Spring	X	X	X		
38	170923	Adjusting Screw with Nut	X	X	X		
39	170924	Buttonhole Connection Rod	X	X	X		
40	170925	Retaining Ring	X	X	X		
41	170938	Selection Lever			X		
42	170939	Selection Lever Set Screw			X		
43	170943	Adjusting Screw			X		
44	170941	Adjusting Nut			X		
45	170946	Zig Zag Base Mechanism Mounting Screw			X		
X 46	170932	Zig Zag Mechanism Compl.			X		
47	170944	Set Screw			X		
48	170945	Lever Spring			X		
49	170937	Set Screw			X		
50	170934	Needle Position Base washer			X		
51	170933	Needle Position Base			X		
52	170936	Needle Position Base Mounting Screw			X		
53	170935	Needle Position Base Pin			X		
54	170940	Adjusting Screw			X		
55	170942	Adjusting Screw			X		
56	170926	Rod Pin	X	X	X		
57	170927	Rod Pin Spring	X	X	X		
	170956	Rod Pin Spring			X		
58	170928	Rod Pin Washer	X	X	X		
59	170929	Rod	X	X	X		
	170954	Rod			X		
60	170930	Mounting Screw	X	X	X		
61	170931	Bracket	X	X	X		

5160/5170/5160 PARTS LIST

REF.	PART #	ELECTRICAL EQUIPMENT	5	5	5			
			1	1	1			
			8	6	7			
			0	0	0			
1	170958	Motor Bracket Mounting Screw with Washer (2)	X	X				
2	170959	Motor Mounting Bracket	X					
3	170960	Motor Bracket Screw (2) with Washer	X	X	X			
4	170961	Motor	X	X				
	170862	Motor		X				
5	170963	Motor Pulley Complete	X	X	X			
6	170964	Motor Mounting Bracket		X				
7	170965	Bracket Screw Washer (2)		X				
8	170966	Bracket Screw Lock Washer (2)		X				
9	170967	Bracket Screw (2)		X				
10	170868	Motor Mounting Bracket			X			
11	170969	Counter Pulley Assembly	X	X				
12	170970	Counter Pulley Assembly Mounting Screw	X	X				
13	170971	Pulley Assembly Bracket	X	X				
14	170972	Pulley Spring	X	X				
15	170973	Pulley Assembly Bracket Mounting Screw	X	X				
16	170974	Light Reflection Plate Mounting Plate Screw (4)	X	X	X			
17	170975	Cord Holders	X	X				
18	170976	Light Reflection Plate	X	X	X			
19	170977	Light Harness Assembly	X	X	X			
20	170978	Lamp	X	X	X			
21	170979	Ty-Rap	X	X	X			
22	170980	Terminal	X					
	170881	Terminal		X				
23	170982	Washer	X	X				
24	170983	Terminal Mounting Screw	X	X	X			
25	170884	Cord Holder Bracket			X			
26	170985	Cord Holder Bracket Mounting Screw (2)	X	X				
27	170986	Cord Holder Bracket	X					
28	170987	Terminal		X				
30	170988	Foot Controller Complete	X	X				
31	170989	Motor Belt (short)	X	X				
32	170990	Motor Belt (long)	X	X				
33	170891	Motor Belt		X				
34	170992	Light Harness Mounting Screw	X	X	X			

ELECTRICAL EQUIPMENT

