

SINGER
500 Series

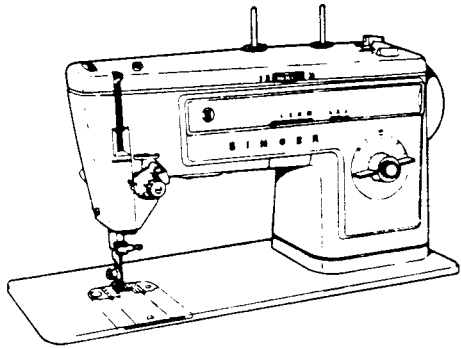
**Parts
List**

SINGER®

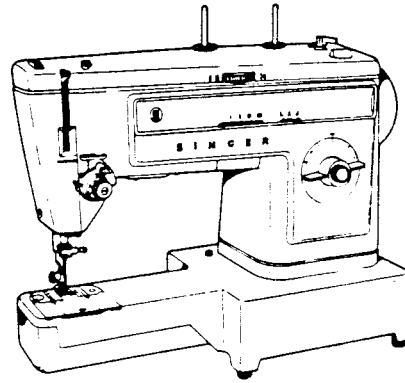
500

series machines

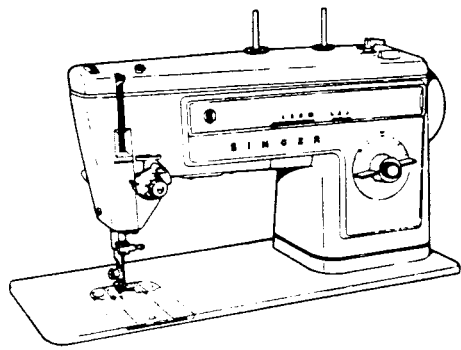
502 522 507 527 509



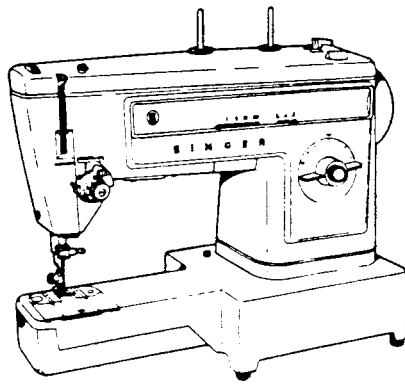
502 Machine



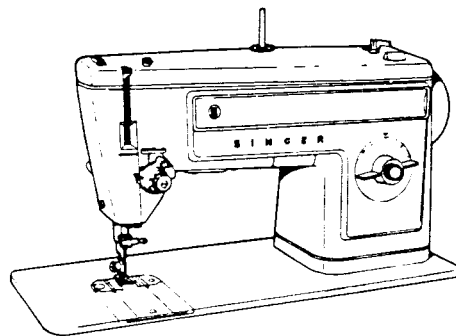
522 Machine



507 Machine



527 Machine

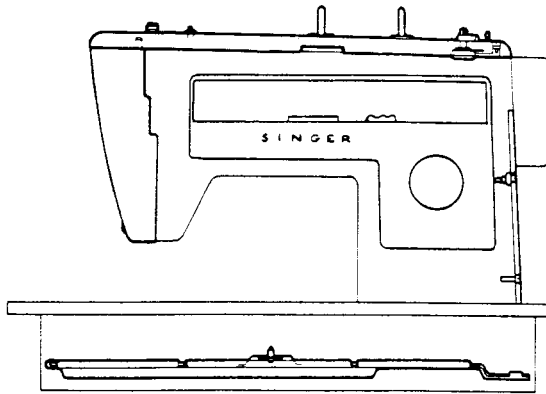


509 Machine

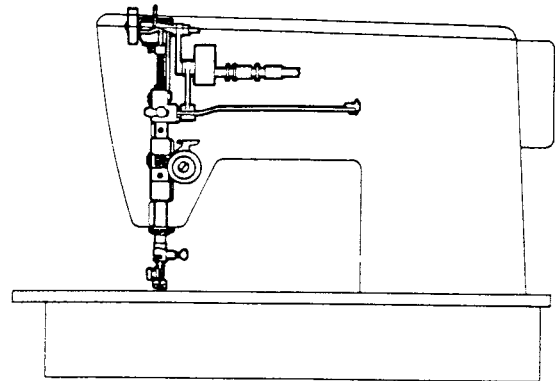
PROPERTY OF THE SINGER COMPANY

This is a private and confidential communication to and for the use of only the employees of The Singer Company and its affiliated companies. Reproduction, sale, distribution, or publication thereof to the public is forbidden.

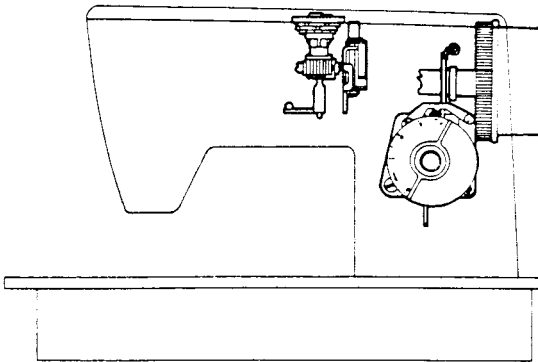
CONTENTS



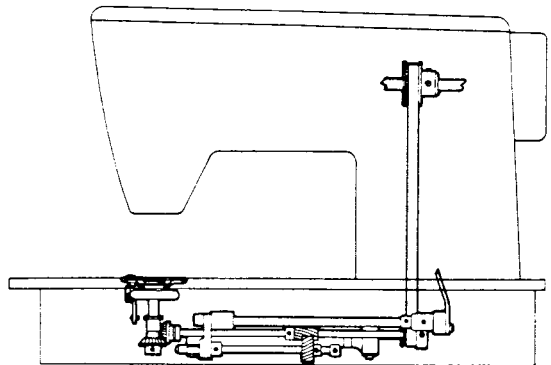
4-15



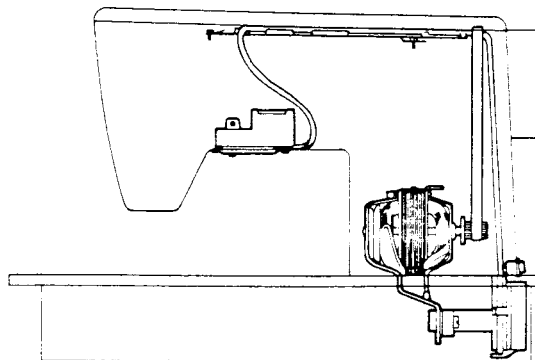
16-21



22-27

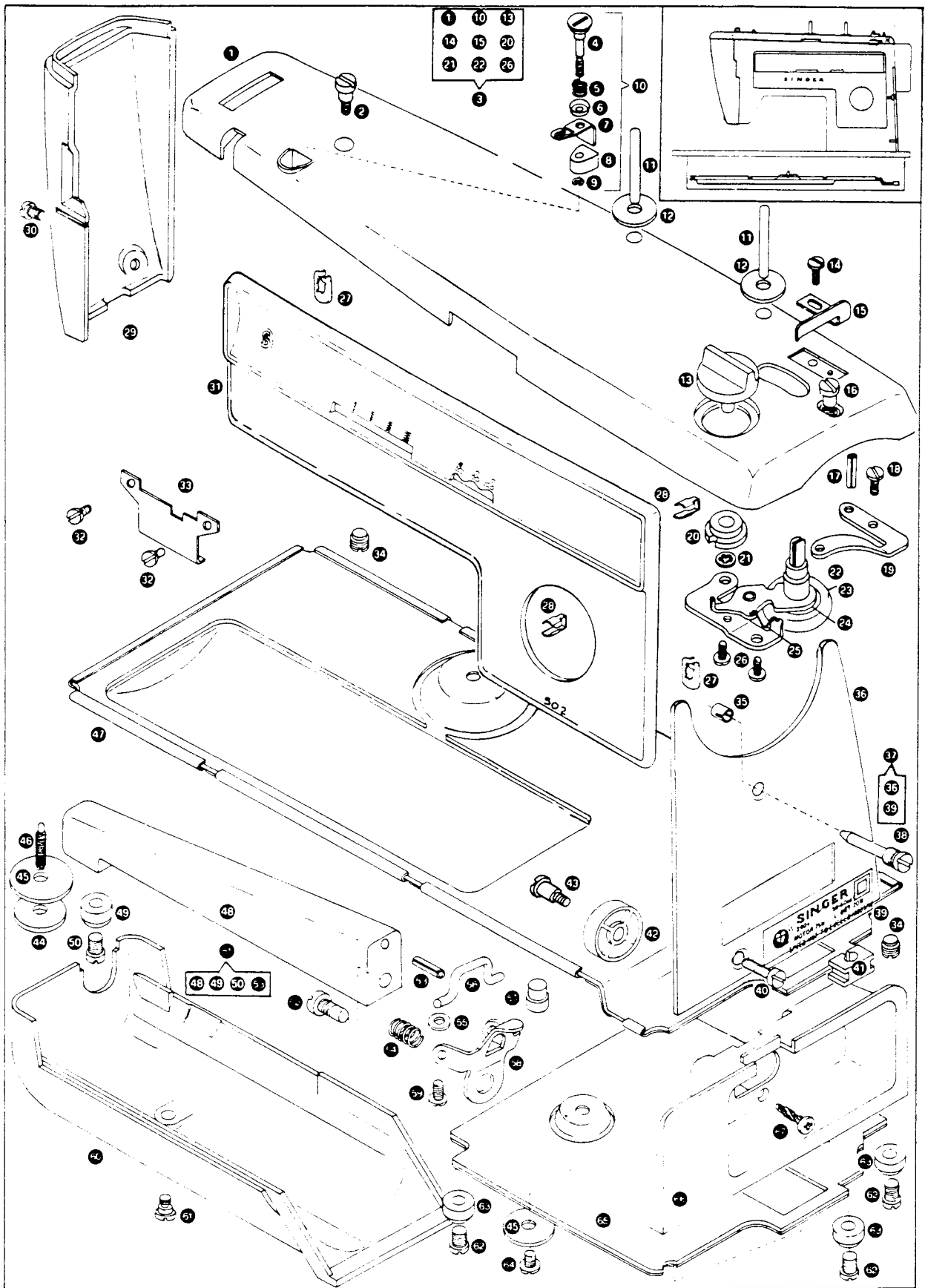


28-32



34-37

ATTACHMENTS — 38-40



LIST OF PARTS

See page 4

Ref. No.	Part No.	Description	Machine
1	103892-451	• Arm Top Cover (Colour—Spec. No. 3537) (K13, 14 and 15 Varieties)	502
	103892-452	• Arm Top Cover (Colour—Spec. No. 3152) (502K43, 44, 45 and 522K13 Varieties)	502 522
	103902-451	• Arm Top Cover (Colour—Spec. No. 3537) (K13, 14 and 15 Varieties)	507 527 509
	103902-452	• Arm Top Cover (Colour—Spec. No. 3152) (K23, 24 and 25 Varieties)	507 527 509
2	114061-851	• Arm Top Cover Screw (left)	502 522 507 527 509
3	103894-451	• Arm Top Cover 103892-451 with 103594, 103912, 139893-452, 153772, 153867-453, 153868, 153888-451 and two 139893-451 (K13, 14 and 15 Varieties)	502
	103894-452	• Arm Top Cover 103892-452 with 103594, 103912, 139893-452, 153772, 153867-453, 153868, 153888-451 and two 139893-451 (502K43, 44, 45 and 522K13 Varieties)	502 522
	103903-451	• Arm Top Cover 103902-451 with 103594, 103912, 139893-452, 153772, 153867-453, 153868, 153888-451 and two 139893-451 (K13, 14 and 15 Varieties).	507 527 509
	103903-452	• Arm Top Cover 103902-452 with 103594, 103912, 139893-452, 153772, 153867-453, 153868, 153888-451 and two 139893-451 (K23, 24 and 25 Varieties).	507 527
4	153866	• Arm Top Cover Thread Guide and Bobbin Winder Tension Bracket Support Screw Stud (Finish—Spec. No. 1029)	502 522 507 527 509
5	45847	• Bobbin Winder Tension Disc Spring	502 522 507 527 509
6	45915	• Bobbin Winder Tension Disc	502 522 507 527 509

See page 4

Ref. No.	Part No.	Description	Machine
7	153947	• Arm Top Cover Thread Guide and Bobbin Winder Tension Bracket (Finish—Spec. No. 1055)	502 522 507 527 509
8	153865-452	• Arm Top Cover Thread Guide and Bobbin Winder Tension Bracket Support (Colour—Spec. No. 3537) (K13, 14 and 15 Varieties)	502 507 527 509
	153865-453	• Arm Top Cover Thread Guide and Bobbin Winder Tension Bracket Support (Colour—Spec. No. 3152) (502K43, 44, 45, 522K13, 507K23, 24, 25 and 527K23 Varieties)	502 522 507 527
9	14494	• Arm Top Cover Thread Guide and Bobbin Winder Tension Bracket Support Retaining Ring	502 522 507 527 509
10	153888-451	• Arm Top Cover Thread Guide and Bobbin Winder Tension Bracket complete, Nos. 14494, 45847, 45915, 153865-452, 153866 and 153947 (K13, 14 and 15 Varieties)	502 507 527 509
	153888-453	• Arm Top Cover Thread Guide and Bobbin Winder Tension Bracket complete, Nos. 14494, 45847, 45915, 153865-452, 153866 and 153947 (502K43, 44, 45, 522K13, 507K23, 24, 25 and 527K23 Varieties)	502 522 507 527
11	172007	• Arm Spool Pin (packed with Attachments)	502 522 507 527 509
12	319914	• Arm Spool Pin Washer (packed with Attachments)	502 522 507 527 509
13	153867-453	• Bobbin Winder Actuating Dial (Colour—Spec. No. 3537) (K13, 14 and 15 varieties)	502 507 527 509
	153867-452	• Bobbin Winder Actuating Dial (Colour—Spec. No. 3152) (502K43, 44, 45, 522K13, 507K23, 24, 25 and 527K23 Varieties)	502 522 507 527
14	139893-452	• Bobbin Winder Stop Screw (Finish—Spec. No. 1052)	502 522 507 527 509
15	153772	• Bobbin Winder Stop (Finish—Spec. No. 1053)	502 522 507 527 509
16	139958-451	• Arm Top Cover Screw (right) (Finish—Spec. No. 1051)	502 522 507 527 509
17	153924	• Arm Top Cover Mounting Bracket Locating Pin	502 522 507 527 509

See Page 4

Ref. No.	Part No.	Description	Machine
18	141959	• Arm Top Cover Mounting Bracket Screw	502 522 507 527 509
19	153533	• Arm Top Cover Mounting Bracket (Finish—Spec. No. 1019)	502 522 507 527 509
20	153868	• Bobbin Winder Actuating Dial Backing Plate	502 522 507 527 509
21	103912	• Bobbin Winder Actuating Dial Backing Plate Retaining Ring	502 522 507 527 509
22	103594	• Bobbin Winder with 33730-701, 153771 and 173770-011	502 522 507 527 509
23	33730-701	• Bobbin Winder Friction Ring	502 522 507 527 509
24	173770-011	• Bobbin Winder Pulley	502 522 507 527 509
25	153771	• Bobbin Winder Spring	502 522 507 527 509
26	139893-451	• Bobbin Winder Mounting Screw (Finish—Spec. No. 1019)	502 522 507 527 509
27	155805	• Control Panel Fastener	502 522 507 527 509
28	103761	• Control Panel Fastener	502 522 507 527 509
29	116165-452	• Face Plate (Colour—Spec. No. 3537) (K13, 14 and 15 Varieties)	502 507 527 509
	116165-451	• Face Plate (Colour—Spec. No. 3537) (502K43, 44, 45, 522K13, 507K23, 24, 25 and 527K23 Varieties)	502 522 507 527
30	114297-451	• Face Plate Screw (Finish—Spec. No. 1040)	502 522 507 527 509
31	103972-451	• Control Panel (Colour—Spec. No. 3537) with two 103761 (K13, 14 and 15 Varieties)	502
	103972-452	• Control Panel (Colour—Spec. No. 3152) with two 103761 (K43, 44 and 45 Varieties)	502
	116002-453	• Control Panel (Colour—Spec. No. 3508) with two 103761 (K13, 14 and 15 Varieties)	507

See page 4

Ref. No.	Part No.	Description	Machine
31	116002-452	• Control Panel (Colour-Spec. No. 3319) with two 103761 (K23, 24 and 25 Varieties)	507
	104000-451	• Control Panel (Colour-Spec. No. 3508) with two 103761 (K13 Variety)	527
	104000-452	• Control Panel (Colour-Spec. No. 3319) with two 103761 (K23 Variety)	527
	103911-451	• Control Panel (Colour-Spec. No. 3508) with two 103761	509
	116240-451	• Control Panel (Colour-Spec. No. 3319) with two 103761	522
32	114152-819	• Arm Side Cover Screw	502 522 507 527 509
33	153414-451	• Arm Side Cover (Colour-Spec. No. 3540) (K13, 14 and 15 Varieties)	502 507 527 509
	153414-452	• Arm Side Cover (Colour-Spec. No. 3151) (502K43, 44, 45, 522K13, 507K23, 24, 25 and 527K23 Varieties)	502 522 507 527
34	51045-451	• Machine Hinge Connection Set Screw (Finish-Spec. No. 1003)	502 507 509
35	90374	• Arm End Cover Plate Fixing Stud Retaining Clip	502 522 507 527 509
36	310808-452	• Arm End Cover Plate (Colour-Spec. No. 3540) (K13, 14 and 15 Varieties)	502 507 527 509
	310808-451	• Arm End Cover Plate (Colour-Spec. No. 3151) (502K43, 44, 45, 522K13, 507K23, 24, 25 and 527K23 Varieties)	502 522 507 527
37	103763-029	• Arm End Cover Plate 310808-452 with 102940-001 (240 volts) for Great Britain (K13 and 14 Varieties)	502 507 527 509
	103763-001	• Arm End Cover Plate 310808-451 with 102940-001 (240 volts) for Great Britain (502K43, 44, 522K13, 507K13, 14 and 527K13 Varieties)	502 522 507 527
	103763-030	• Arm End Cover Plate 310808-452 with 102940-002 (240 volts) for Australia (K13 and 14 Varieties)	502 507 527 509

See page 4

Ref. No.	Part No.	Description	Machine
37	103763-002	• Arm End Cover Plate 310808-451 with 102940-002 (240 volts) for Australia (502K43, 44, 522K13, 507K23, 24 and 527K23 Varieties)	502 522 507 527
	103763-031	• Arm End Cover Plate 310808-452 with 102940-003 (220 volts) for Scandinavia (K13 and 14 Varieties)	502 507 527 509
	103763-003	• Arm End Cover Plate 310808-451 with 102940-003 (220 volts) for Scandinavia (502K43, 44, 522K13, 507K14, 15 and 527K23 Varieties)	502 522 507 527
	103763-032	• Arm End Cover Plate 310808-452 with 102940-004 (127 and 220 volts) for Austria, France and Germany (K13 and 14 Varieties)	502 507 527 509
	103763-004	• Arm End Cover Plate 310808-451 with 102940-004 (127 and 220 volts) for Austria, France and Germany (502K43, 44, 522K13, 507K23, 24 and 527K23 Varieties)	502 522 507 527
	103763-034	• Arm End Cover Plate 310808-452 with 102940-007 (220 volts) for Austria, France and Germany (K13 and 14 Varieties)	502 507 527 509
	103763-007	• Arm End Cover Plate 310808-451 with 102940-007 (220 volts) for Austria, France and Germany (502K43, 44, 522K13, 507K23, 24 and 527K23 Varieties)	502 522 507 527
	103763-035	• Arm End Cover Plate 310808-452 with 102940-014 (190-210 volts) for Europe/Standard (except Austria, France, Germany and Scandinavia), Commonwealth, New Zealand and South Africa (K13 and 14 Varieties)	502 507 527 509
	103763-012	• Arm End Cover Plate 310808-451 with 102940-014 (190-210 volts) for Europe/Standard (except Austria, France, Germany and Scandinavia), Commonwealth, New Zealand and South Africa (502K43, 44, 522K13, 507K23, 24 and 527K23 Varieties)	502 522 507 527

See page 4

Ref. No.	Part No.	Description	Machine			
37	103763-036	• Arm End Cover Plate 310808-452 with 102940-015 (210-230 volts) for Europe/Standard (except Austria, France, Germany and Scandinavia), Commonwealth, New Zealand and South Africa (K13 and 14 Varieties)	502	507	527	509
	103763-013	• Arm End Cover Plate 310808-451 with 102940-015 (210-230 volts) for Europe/Standard (except Austria, France, Germany and Scandinavia), Commonwealth, New Zealand and South Africa (502K43, 44, 522K13, 507K23, 24 and 527K23 Varieties)	502	522	507	527
	103763-037	• Arm End Cover Plate 310808-452 with 102940-016 (230-250 volts) for Europe/Standard (except Austria, France, Germany and Scandinavia), Commonwealth, New Zealand, South Africa, Cyprus and Israel (K13 and 14 Varieties)	502	507	527	509
	103763-014	• Arm End Cover Plate 310808-451 with 102940-016 (230-250 volts) for Europe/Standard (except Austria, France, Germany and Scandinavia), Commonwealth, New Zealand, South Africa, Cyprus and Israel (502K43, 44, 522K13, 507K23, 24 and 527K23 Varieties)	502	522	507	527
	103763-042	• Arm End Cover Plate 310808-452 with 102940-026 (220 volts) for Switzerland (K13 and 14 Varieties)	502	507	527	509
	103763-019	• Arm End Cover Plate 310808-451 with 102940-026 (220 volts) for Switzerland (502K43, 44, 522K13, 507K23, 24 and 527K23 Varieties)	502	522	507	527
	103763-043	• Arm End Cover Plate 310808-452 with 102940-023 (all voltages) (light only) for Europe/Standard, Cyprus, France, Great Britain, Israel, New Zealand, Scandinavia and Switzerland (K15 Varieties)	502	507		509
	103763-026	• Arm End Cover Plate 310808-451 with 102940-023 (all voltages) (light only) for Europe/Standard, Cyprus, France, Great Britain, Israel, New Zealand, Scandinavia and Switzerland (502K45 and 507K25 Varieties)	502	507		

See page 4

Ref. No.	Part No.	Description	Machine
37	103763-045	• Arm End Cover Plate 310808-452 with 102940-025 (220 volts) (light only) for Austria and Germany (K15 Varieties)	502 507 509
	103763-028	• Arm End Cover Plate 310808-451 with 102940-025 (220 volts) (light only) for Austria and Germany	502 507
38	103874	• Arm End Cover Plate Fixing Stud (Finish—Spec. No. 1021)	502 522 507 527 509
39	102940-001	• Electrical Data Plate (240 volts) for Great Britain (K13 and 14 Varieties)	502 522 507 527 509
	102940-002	• Electrical Data Plate (240 volts) for Australia (K13 and 14 Varieties)	502 522 507 527 509
	102940-003	• Electrical Data Plate (220 volts) for Scandinavia (K13 and 14 Varieties)	502 522 507 527 509
	102940-004	• Electrical Data Plate (127 and 220 volts) for Austria, France and Germany (K13 and 14 Varieties)	502 522 507 527 509
	102940-007	• Electrical Data Plate (220 volts) for Austria, France and Germany (K13 and 14 Varieties)	502 522 507 527 509
	102940-014	• Electrical Data Plate (190-210 volts) for Europe/Standard (except Austria, France, Germany and Scandinavia), Commonwealth, New Zealand and South Africa (K13 and 14 Varieties)	502 522 507 527 509
	102940-015	• Electrical Data Plate (210-230 volts) for Europe/Standard (except Austria, France, Germany and Scandinavia), Commonwealth, New Zealand and South Africa (K13 and 14 Varieties)	502 522 507 527 509
	102940-016	• Electrical Data Plate (230-250 volts) for Europe/Standard (except Austria, France, Germany and Scandinavia), Commonwealth, New Zealand, South Africa, Cyprus and Israel (K13 and 14 Varieties)	502 522 507 527 509

See page 4

Ref. No.	Part No.	Description	Machine
39	102940-023	• Electrical Data Plate (all voltages) (light only) for Europe/Standard, Cyprus, France, Great Britain, Israel, New Zealand, Scandinavia and Switzerland (K15 Varieties)	502 522 507 509
	102940-025	• Electrical Data Plate (220 volts) (light only) for Austria and Germany (K15 Varieties)	502 522 507 509
	102940-026	• Electrical Data Plate (220 volts) for Switzerland (K13 and 14 Varieties)	502 522 507 527 509
40	114139-851	• Arm End Cover Plate Screw	502 522 507 527 509
41	103432-452	• Bed Grommet (Colour-Spec. No. 3537) (K13 and 14 Varieties)	502 507 509
	103432-451	• Bed Grommet (Colour-Spec. No. 3152) (502K43, 44 and 507K23, 24 Varieties)	502 507
	103433-452	• Bed Grommet (Colour-Spec. No. 3537) (K15 Varieties)	502 507 509
	103433-451	• Bed Grommet (Colour-Spec. No. 3152) (502K45 and 507K25 Varieties)	502 507
42	103526	• Machine Base Idler Pulley (K14 and 15 Varieties)	502 507 509
43	103515-451	• Machine Base Idler Pulley Fixing Screw (Finish-Spec. No. 1019) (K14 and 15 Varieties)	502 507 509
44	113170-833	• Bed Cover Plate (bottom) Screw Thumb Nut	502 507 509
45	8879-702	• Bed Cover Plate (bottom) Screw Thumb Nut Washer	502 507 509
46	51361-451	• Bed Cover Plate (bottom) Screw (Finish-Spec. No. 1050)	502 507 509
47	103900	• Bed Cover Plate (bottom)	502 507 509
48	103640-452	• Bed Leg (Colour-Spec. No. 3540) (K13 Variety)	527
	103640-451	• Bed Leg (Colour-Spec. No. 3151) (522K13 and 527K23 Varieties)	522 527
49	172203	• Bed Leg Cushion	522 527

See page 4

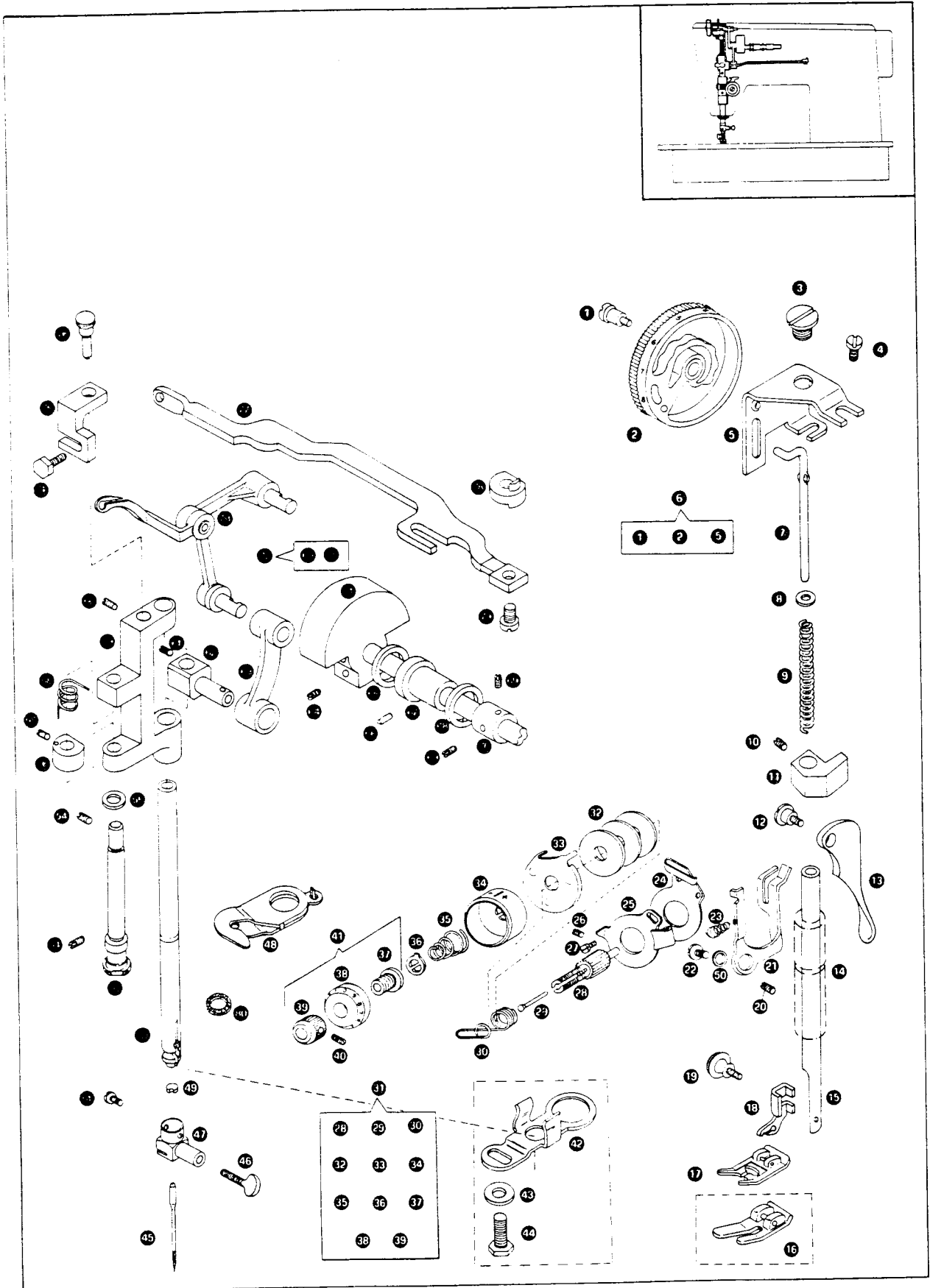
Ref. No.	Part No.	Description	Machine	
50	114236-451	• Bed Leg Cushion Screw (Finish—Spec. No. 1005)	522	527
51	103641-452	• Bed Leg, complete, Nos. 103640-452, 114236-451, 172203 and 507064 (K13 Variety)		527
	103641-451	• Bed Leg, complete, Nos. 103640-451, 114236-451, 172203 and 507064 (522K13 and 527K23 Varieties)	522	527
52	379501-451	• Bed Leg Screw (Finish—Spec. No. 1050)	522	527
53	507064	• Bed Leg Position Pin	522	527
54	172154	• Bed Extension Locking Lever Spring	522	527
55	501723	• Bed Extension Locking Lever Pivot Screw Supporting Disc	522	527
56	511021	• Bed Extension Locking Lever Pivot	522	527
57	153519-452	• Bed Extension Locking Lever Release Plunger (Colour—Spec. No. 3537) (K13 Variety)		527
	153519-451	• Bed Extension Locking Lever Release Plunger (Colour—Spec. No. 3152) (522K13 and 527K23 Varieties)	522	527
58	511018	• Bed Extension Locking Lever	522	527
59	114235-451	• Bed Extension Locking Lever Pivot Screw (Finish—Spec. No. 1019)	522	527
60	153334-452	• Bed Cover Plate (tubular) (Colour—Spec. No. 3537) (K13 Variety)		527
	153334-451	• Bed Cover Plate (tubular) (Colour—Spec. No. 3152) (522K13 and 527K23 Varieties)	522	527
61	114233-451	• Bed Cover Plate (tubular) Screw (Finish—Spec. No. 1019)	522	527
62	114236-451	• Bed Cushion Screw (Finish—Spec. No. 1005)	522	527
63	172203	• Bed Cushion	522	527
64	114257-451	• Bed Cover Plate (bottom) Screw (Finish—Spec. No. 1019)	522	527
65	103715	• Bed Cover Plate (bottom)	522	527

See page 4

Ref. No.	Part No.	Description	Machine	
66	310777-452	• Bed End Cover Plate (Colour-Spec. No. 3537) (K13 Variety)		527
	310777-451	• Bed End Cover Plate (Colour-Spec. No. 3152) (522K13 and 527K23 Varieties)	522	527
67	114254-451	• Bed End Cover Plate and Switch Module Mounting Screw (Finish-Spec. No. 1021)	522	527

NOT ILLUSTRATED

Ref. No.	Part No.	Description	Machine		
	103618-452	• Arm and Bed (Colour-Spec. No. 3540) with 96396, 103308, 114234-451, 153360, 153383, 153840, 511024, 354085-451 and two 51045-451 (K13, 14 and 15 Varieties)	502	507	509
	103621-452	• Arm and Bed (Colour-Spec. No. 3540) with 96396, 103308, 114234-451, 153360, 153383, 153840, 354085-451, 511024 and two 51045-451 (K13 Variety)			527
	103618-451	• Arm and Bed (Colour-Spec. No. 3151) with 96396, 103308, 114234-451, 153360, 153383, 153840, 354085-451, 511024 and two 51045-451 (502K43, 44, 45, 507K23, 24 and 25 Varieties)	502	507	
	103621-451	• Arm and Bed (Colour-Spec. No. 3151) with 96396, 103308, 114234-451, 153360, 153383, 153840, 354085-451, 511024 and two 51045-451 (522K13 and 527K23 Varieties)	522	527	



LIST OF PARTS

See page 16

Ref. No.	Part No.	Description
1	141142-805	• Presser Bar Pressure Regulating Knob Screw
2	155899-452	• Presser Bar Pressure Regulating Knob (Colour—Spec. No. 3537) (502K, 507K, 527K and 509K13, 14 and 15 Varieties)
	155899-453	• Presser Bar Pressure Regulating Knob (Colour—Spec. No. 3151) (502K43, 44, 45, 522K13, 507K23, 24, 25 and 527K23 Varieties)
3	114115-819	• Presser Bar Pressure Regulating Knob Bracket Screw
4	114186-451	• Thread Take-up Lever Link Hinge Stud Set Screw (Finish—Spec. No. 1003)
5	153970	• Presser Bar Pressure Regulating Knob Bracket (Finish—Spec. No. 1019)
6	153914-453	• Presser Bar Pressure Regulating Knob (Colour—Spec. No. 3537) 155899-452 with 141142-805 and 153970 (502K, 507K, 527K and 509K13, 14 and 15 Varieties)
	153914-454	• Presser Bar Pressure Regulating Knob (Colour—Spec. No. 3152) 155899-453 with 141142-805 and 153970 (502K43, 44, 45, 522K13, 507K23, 24, 25 and 527K23 Varieties)
7	153969	• Presser Bar Pressure Regulating Knob Follower
8	103283	• Presser Bar Pressure Regulating Knob Follower Washer
9	103281	• Presser Bar Spring
10	453-832	• Presser Bar Guide Bracket Set Screw
11	170065-001	• Presser Bar Guide Bracket with 453-832
12	85-805	• Presser Bar Lifter Hinge Screw
13	310708	• Presser Bar Lifter (Finish—Spec. No. 1051)
14	179591	• Presser Bar Bushing
15	102810	• Presser Bar
16	153267	• Presser Foot Plate for 509 Machine

See page 16

Ref. No.	Part No.	Description
17	155962	• Presser Foot Plate for 502, 522, 507 and 527 Machines
18	155964	• Presser Foot Shank
19	354135-451	• Presser Foot Thumb Screw (Finish—Spec. No. 1091)
20	51045-451	• Presser Bar Bushing Set Screw (Finish—Spec. No. 1003)
21	103942	• Tension Releasing Lever with 12329
22	114286-451	• Tension Releasing Lever Hinge Screw (Finish—Spec. No. 1019)
23	12329	• Tension Releasing Lever Spring
24	155727	• Tension Thread Guide
25	179602	• Slack Thread Regulator and Tension Thread Guide
26	114310-451	• Tension Stud Set Screw
27	379505-452	• Slack Thread Regulator and Tension Thread Guide Screw
28	153318	• Tension Stud
29	81572	• Tension Releasing Pin
30	66774-002	• Thread Take-up Spring
31	153278-452	• Tension, complete, (Colour—Spec. No. 3537) Nos. 66774-002, 81572, 125314, 153276, 153318, 172215, 172218, 172228, 173669-452, 173670-452 and three 172226 for 502, 507, 527 and 509 Machines (K13, 14 and 15 Varieties)
	153278-453	• Tension, complete, (Colour—Spec. No. 3152) Nos. 66774-002, 81572, 125314, 153276, 153318, 172215, 172228, 173669-453, 173670-452 and three 172226 for 502K43, 44, 45, 522K13, 507K23, 24, 25 and 527K23 Machines
32	172226	• Tension Disc
33	172228	• Thread Take-up Spring Thread Guide

See Page 16

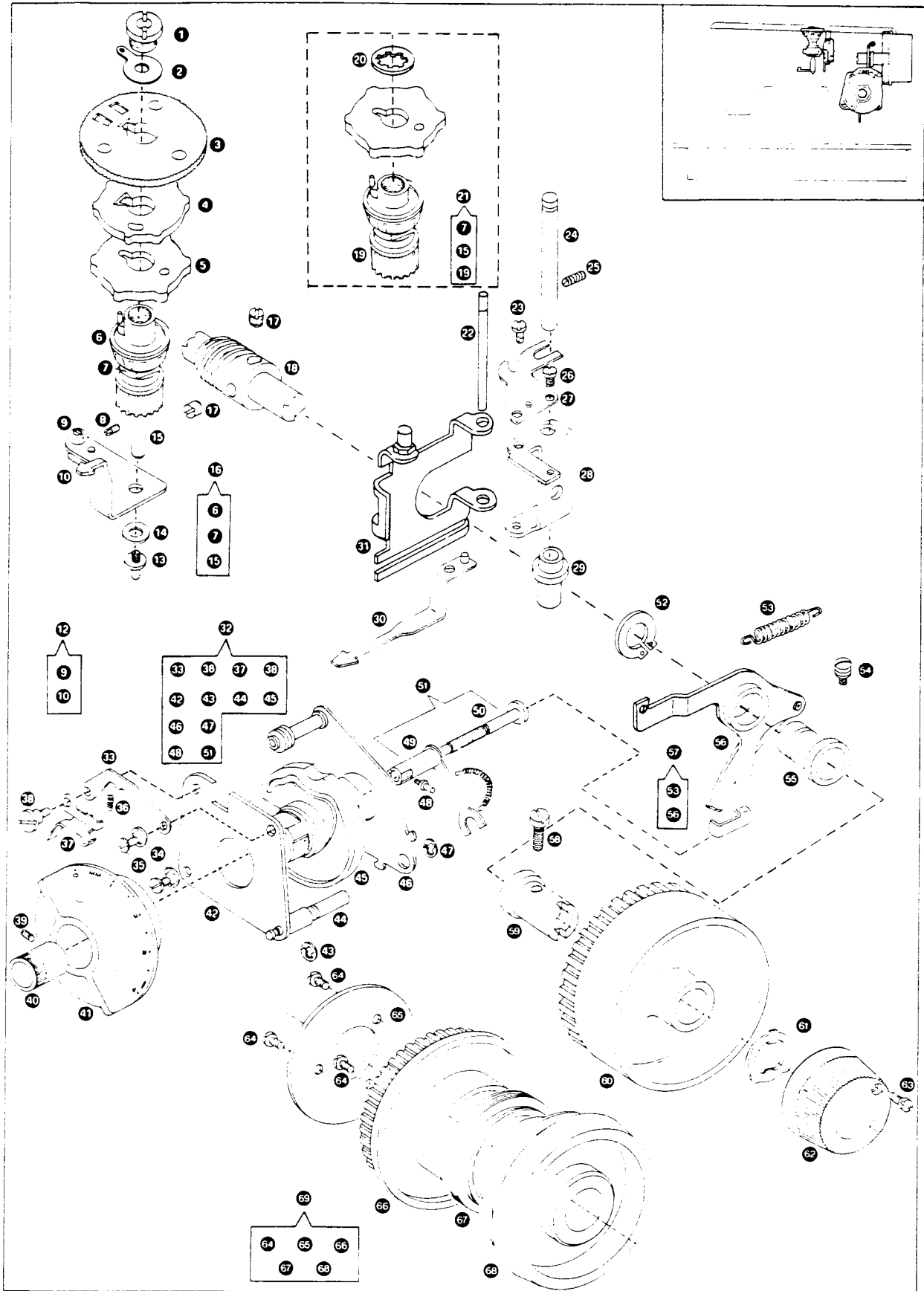
Ref. No.	Part No.	Description
34	173669-452	• Tension Indicator (Colour-Spec. No. 3537) for 502, 507, 527 and 509 Machines (K13, 14 and 15 Varieties)
	173669-453	• Tension Indicator (Colour-Spec. No. 3152) for 502K43, 44, 45, 522K13, 507K23, 24, 25 and 527K23 Machines
35	125314	• Tension Spring
36	172218	• Tension Indicator Flange Stop Washer
37	172215	• Tension Indicator Flange Adaptor
38	173670-452	• Tension Indicator Flange (Colour-Spec. No. 3537) for 502, 507, 527 and 509 Machines (K13, 14 and 15 Varieties)
	173670-453	• Tension Indicator Flange (Colour-Spec. No. 3152) for 502K43, 44, 45, 522K13, 507K23, 24, 25 and 527K23 Machines.
39	153276	• Tension Indicator Flange Adaptor Thumb Nut with 853-858
40	853-858	• Tension Indicator Flange Adaptor Thumb Nut Set Screw
41	153277-452	• Tension Indicator Flange (Colour-Spec. No. 3537) 173670-452 with 153276 and 172215 for 502, 507, 527 and 509 Machines (K13, 14 and 15 Varieties)
	153277-453	• Tension Indicator Flange (Colour-Spec. No. 3152) 173670-453 with 153276 and 172215 for 502K43, 44, 45, 522K13, 507K23, 24, 25 and 527K23 Machines
42	99069	• Needle Bar Rocker Locking Bracket for 509 Machine
43	23258	• Needle Bar Rocker Locking Bracket Screw Washer for 509 Machine
44	114019-451	• Needle Bar Rocker Locking Bracket Screw (Finish-Spec. No. 1010) for 509 Machine
45	Cat. 202C	• Needle
46	140751-851	• Needle Thumb Screw
47	310847	• Needle Clamp Body
48	116162	• Face Plate Thread Guide

See page 16

Ref. No.	Part No.	Description
49	102523	• Needle Bar Gib
50	103943	• Tension Releasing Lever Hinge Screw Washer
51	141031-855	• Needle Clamp and Needle Stop Screw
52	102522	• Needle Bar
53	116163	• Needle Bar Rocker Eccentric Hinge Stud for 502, 522, 507 and 527 Machines
	116166	• Needle Bar Rocker Eccentric Hinge Stud for 509 Machine
54	140321-830	• Needle Bar Rocker Eccentric Hinge Stud Set Screw
55	179574	• Needle Bar Rocker Thrust Washer
56	179567	• Needle Bar Rocker Collar with 50150-830
57	50150-830	• Needle Bar Rocker Collar Set Screw
58	179573	• Needle Bar Rocker Tension Spring for 502, 522, 507 and 527 Machines
59	179566	• Needle Bar Rocker with 50429-830
60	50429-830	• Needle Bar Rocker Bracket Hinge Pin Set Screw
61	1258-451	• Needle Bar Clamping Screw (Finish-Spec. No. 1003)
62	103291	• Needle Bar Connecting Stud
63	102688	• Needle Bar Connecting Link
64	1258-451	• Thread Take-up Crank Set Screw (Finish-Spec. No. 1003)
65	163990	• Needle Bar Crank Thrust Washer
66	96396	• Arm Shaft (horizontal) Bushing (front) Retaining Pin
67	103308	• Arm Shaft (horizontal) Bushing (front)
68	163990	• Arm Shaft (horizontal) Collar Thrust Washer
69	114024-452	• Arm Shaft (horizontal) Collar Set Screw (Finish-Spec. No. 1098)

See page 16

Ref. No.	Part No.	Description
70	103310	• Arm Shaft (horizontal) Collar with two 114024-452
71	310797	• Arm Shaft (horizontal)
72	153713	• Thread Take-up Lever 153712 with 102688
73	153712	• Thread Take-up Lever
74	114281-451	• Needle Bar Rocker Driving Arm Clamping Screw (Finish—Spec. No. 1003) for 502, 522, 507 and 527 Machines
75	179566	• Needle Bar Rocker Bracket for 502, 522, 507 and 527 Machines
76	179572	• Needle Bar Rocker Bracket Hinge Pin for 502, 522, 507 and 527 Machines
77	155968	• Needle Bar Rocker Driving Arm with 114147-451, 114281-451, 179566 and 310757 for 502, 522, 507 and 527 Machines
78	310757	• Needle Bar Rocker Driving Arm Follower for 502, 522, 507 and 527 Machines
79	114147-451	• Needle Bar Rocker Driving Arm Follower Screw (Finish—Spec. No. 1005) for 502, 522, 507 and 527 Machines
80	116222	• Needle Bar Washer (felt)



LIST OF PARTS

See page 22

Ref. No.	Part No.	Description	Machine
1	155926	• Disc Retaining Screw Stud	502 522
2	155924	• Blindstitch Disc Detent Spring	502 522
3	153296-451	• Blindstitch Disc and Actuating Dial (Colour-Spec. No. 3537) (K13, 14 and 15 Varieties)	502
	153296-452	• Blindstitch Disc and Actuating Dial (Colour-Spec. No. 3152) (502K43, 44, 45 and 522K23 Varieties)	502 522
4	153297	• Blindstitch Disc (intermediate)	502 522
5	276301	• Disc No. 1 for Zig-Zag Stitching	502 522 507 527
6	102424	• Disc Driving Gear	502 522
7	102427	• Disc Driving Gear Retaining Clip	502 522 507 527
8	51045-451	• Bight Amplitude Control Lever and Disc Driving Gear Shaft Set Screw (Finish-Spec. No. 1003)	502 522 507 527
9	179564	• Needle Bar Rocker Driving Arm Position Screw Stud	502 522 507 527
10	179529	• Bight Amplitude Control Lever Clamping Plate	502 522 507 527
11			
12	116090	• Bight Amplitude Control Lever with 179529 and 179564	502 522 507 527
13	114068	• Bight Amplitude Control Lever Spring Screw Stud (adjustable)	502 522 507 527
14	102475	• Bight Amplitude Control Lever Spring Screw Stud (adjustable) Friction Washer	502 522 507 527
15	102426	• Bight Amplitude Control Lever and Disc Driving Gear Shaft	502 522 507 527
16	102526	• Disc Driving Gear 102424 with 102426 and 102427	502 522
17	1258-451	• Arm Shaft (horizontal) Driving Worm Gear Set Screw (Finish-Spec. No. 1003)	502 522 507 527

See page 22

Ref. No.	Part No.	Description	Machine
18	102428	• Arm Shaft (horizontal) Driving Worm Gear with two 1258-451	502 522 507 527
19	102525	• Disc Driving Gear	507 527
20	179647	• Disc Retaining Ring	507 527
21	102572	• Disc Driving Gear 102525 with 102426 and 102427	507 527
22	179527	• Bight Amplitude Bracket Hinge Pin	502 522 507 527
23	140805-451	• Needle Position Selector Lever Screw (Finish-Spec. No. 1003)	502 522 507 527
24	99142	• Needle Position Selector Hinge Pin	502 522 507 527
25	51045-451	• Needle Position Selector Hinge Pin Set Screw (Finish-Spec. No. 1003)	502 522 507 527
26	140805-451	• Needle Position Selector Lever Spring Screw (Finish-Spec. No. 1003)	502 522 507 527
27	153449	• Needle Position Selector Lever Spring	502 522 507 527
28	81566	• Needle Position Selector Bracket	502 522 507 527
29	179580	• Needle Position Selector Hinge Pin Collar	502 522 507 527
30	153003	• Needle Position Selector Lever	502 522 507 527
31	103953	• Bight Amplitude Bracket	502 522 507 527
32	103768	• Feed Regulator Mechanism, complete, Nos. 102498, 102754, 102755, 103864, 114099-819, 153680, 155792, 310817, 310828, 310873 and two 148418	502 522 507 527 509
33	102755	• Feed Regulator Mechanism Mounting Plate Spring Retainer	502 522 507 527 509
34	98188	• Feed Regulator Mechanism Mounting Screw Lock Washer	502 522 507 527 509
35	114152-819	• Feed Regulator Mechanism Mounting Screw	502 522 507 527 509
36	103864	• Feed Regulator Mechanism Mounting Plate Pawl Spring	502 522 507 527 509

See page 22

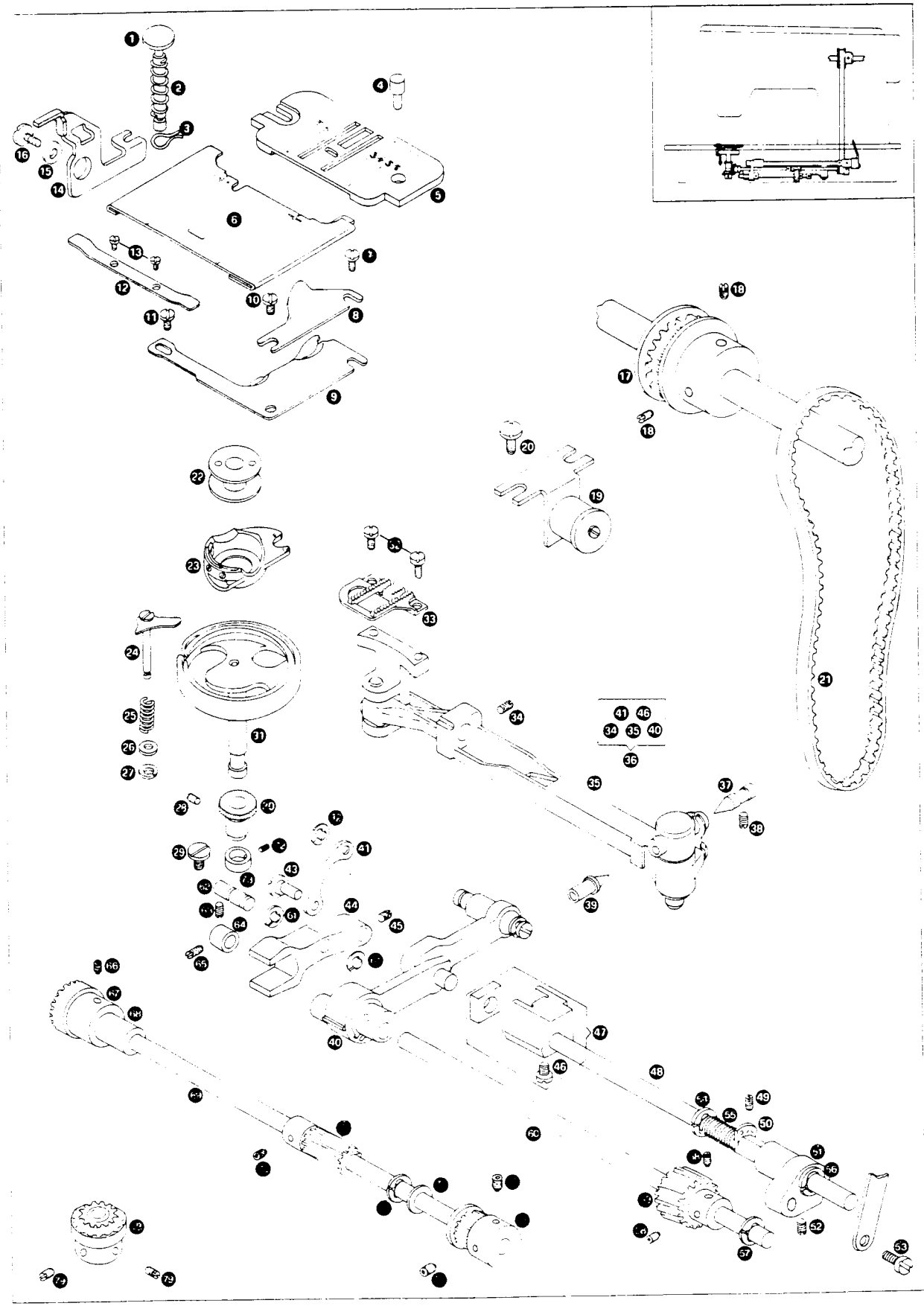
Ref. No.	Part No.	Description	Machine
37	102754	• Feed Regulator Mechanism Mounting Plate Pawl	502 522 507 527 509
38	114099-819	• Feed Regulator Mechanism Mounting Plate Spring Retainer Screw	502 522 507 527 509
39	460-830	• Feed Regulator Positioning Pin Knob Set Screw	502 522 507 527 509
40	102493-451	• Feed Regulator Positioning Pin Knob (Colour-Spec. No. 3537) with 460-830 (K13, 14 and 15 Varieties)	502 507 527
	102493-452	• Feed Regulator Positioning Pin Knob (Colour-Spec. No. 3508) with 460-830	509
	102493-453	• Feed Regulator Positioning Pin Knob (Colour-Spec. No. 3319) (522K13, 507K23, 24, 25 and 527K23 Varieties)	522 507 527
	102493-454	• Feed Regulator Positioning Pin Knob (Colour-Spec. No. 3319) (K43, 44 and 45 Varieties)	502
41	116010-451	• Feed Regulator Control Dial (Colour-Spec. No. 3537) (K13, 14 and 15 Varieties)	502 507 527
	116010-453	• Feed Regulator Control Dial (Colour-Spec. No. 3152) (K43, 44 and 45 Varieties)	502
	103779-451	• Feed Regulator Control Dial (Colour-Spec. No. 3508)	509
	103779-452	• Feed Regulator Control Dial (Colour-Spec. No. 3319) (522K13, 507K23, 24, 25 and 527K23 Varieties)	522 507 527
42	310817	• Feed Regulator Mechanism Mounting Plate (Finish-Spec. No. 1019)	502 522 507 527 509
43	148418	• Feed Regulator Mechanism Mounting Plate Retainer	502 522 507 527 509
44	310873	• Feed Regulator Cam Follower Guide Pin and Mounting Plate Spacer Stud	502 522 507 527 509
45	310828	• Feed Regulator Cam	502 522 507 527 509

See page 22

			Machine
Ref. No.	Part No.	Description	
46	153680	• Feed Regulator Cam Mounting Bracket	502 522 507 527 509
47	148418	• Feed Regulator Cam Mounting Bracket Retainer	502 522 507 527 509
48	155792	• Reverse Feed Cam Follower Stud.	502 522 507 527 509
49	153084	• Feed Regulator Positioning Pin Carrier	502 522 507 527 509
50	153602	• Feed Regulator Positioning Pin	502 522 507 527 509
51	102498	• Feed Regulator Positioning Pin Carrier 153084 with 153602	502 522 507 527 509
52	103380	• Feed Regulator Driving Bracket Retainer	502 522 507 527 509
53	116067	• Feed Regulator Driving Bracket Return Spring	502 522 507 527 509
54	000085-805	• Feed Regulator Driving Bracket Return Spring Hinge Screw (Finish-Spec. No. 1003)	502 522 507 527 509
55	153840	• Arm Shaft (horizontal) Bushing (back)	502 522 507 527 509
56	103700	• Feed Regulator Driving Bracket	502 522 507 527 509
57	116068	• Feed Regulator Driving Bracket 103700 with 116067	502 522 507 527 509
58	114143-850	• Clamp Stop Motion Flanged Bushing Set Screw	502 522 507 527 509
59	103729	• Clamp Stop Motion Flanged Bushing	502 522 507 527 509
60	310779-452	• Hand Wheel (Colour-Spec. No. 3537) (K13 Varieties)	502 507 527 509
	310779-451	• Hand Wheel (Colour-Spec. No. 3152) (502K43, 522K13, 507K23 and 527K23 Varieties)	502 522 507 527
61	81552	• Clamp Stop Motion Clamp Washer	502 522 507 527 509
62	153977-453	• Clamp Stop Motion Clamp Screw (Colour-Spec. No. 3537) (K13, 14 and 15 Varieties)	502 507 527 509
	153977-454	• Clamp Stop Motion Clamp Screw (Colour-Spec. No. 3152) (502K43, 44, 45, 522K13, 507K23, 24, 25 and 527K23 Varieties)	502 522 507 527

See page 22

Ref. No.	Part No.	Description	Machine				
63	248-829	• Clamp Stop Motion Clamp Stop Screw	502	522	507	527	509
64	109915-819	• Hand Wheel Bobbin Winder Driving Plate Screw (K14 and 15 Varieties)	502		507		509
65	153734	• Hand Wheel Bobbin Winder Driving Plate (Finish—Spec. No. 1019) (K14 and 15 Varieties)	502		507		509
66	116097	• Hand Wheel (motor section) (K14 and 15 Varieties)	502		507		509
67	511388	• Hand Wheel Clutch Spring (K14 and 15 Varieties)	502		507		509
68	116098-452	• Hand Wheel (treadle section) (Colour—Spec. No. 3537) (K14 and 15 Varieties)	502		507		509
	116098-451	• Hand Wheel (treadle section) (Colour—Spec. No. 3152) (502K44, 45 and 507K24 and 25 Varieties)	502		507		
69	116099-452	• Hand Wheel (motor and treadle), complete, Nos. 116097, 116098-452, 153734, 511388 and three 109915-819 (K14 and 15 Varieties)	502		507		509
	116099-451	• Hand Wheel (motor and treadle), complete, Nos. 116097, 116098-451, 153734, 511388 and three 109915-819 (502K44, 45 and 507K24 and 25 Varieties)	502		507		



LIST OF PARTS

See page 28

Ref. No.	Part No.	Description
1	310791	• Throat Plate Clamp
2	153930	• Throat Plate Clamp Spring
3	179658	• Throat Plate Clamp Spring Retaining Clip for 507, 527 and 509 Machines
4	155466	• Throat Plate Position Pin
5	310706	• Throat Plate for 502, 522, 507 and 527 Machines
	171392	• Throat Plate for 509 Machine
6	310739	• Bed Slide for 502, 507 and 509 Machines
	116080	• Bed Slide for 522 and 527 Machine
7	354229-451	• Rotating Hook Bobbin Case Position Plate and Retaining Plate (adjustable) Adjusting Screw (Finish-Spec. No. 1090)
8	381903	• Rotating Hook Bobbin Case Retaining Plate (adjustable)
9	44873	• Rotating Hook Bobbin Case Position Plate
10	354227-451	• Rotating Hook Bobbin Case Position Plate and Retaining Plate (adjustable) Screw (Finish-Spec. No. 1090)
11	354229-451	• Rotating Hook Bobbin Case Position Plate Screw (Finish-Spec. No. 1090)
12	103344	• Bed Slide Spring
13	354134-451	• Bed Slide Spring Screw (Finish-Spec. No. 1019)
14	153929	• Throat Plate Clamp Releasing Lever (Finish-Spec. No. 1050) for 502 and 522 Machines
15	103585	• Throat Plate Clamp Releasing Lever Hinge Screw Washer for 502 and 522 Machines
16	139894-451	• Throat Plate Clamp Releasing Lever Hinge Screw (Finish-Spec. No. 1019) for 502 and 522 Machines
17	153330	• Arm Shaft (horizontal) Belt Drive Pulley with two 114133-869

See page 28

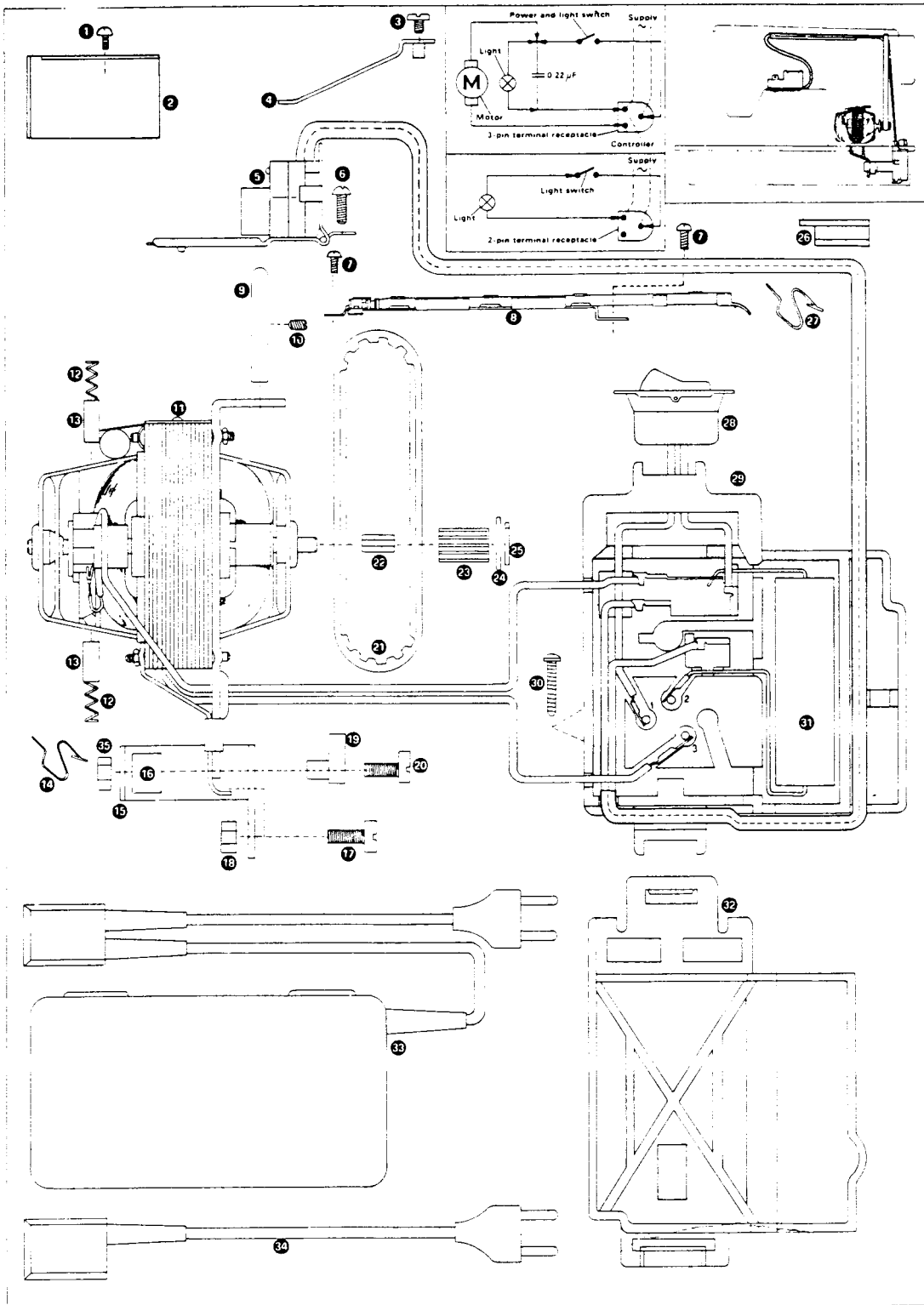
Ref. No.	Part No.	Description
18	114133-869	• Arm Shaft (horizontal) Belt Drive Pulley Set Screw
19	310726	• Belt Tension Pulley, complete
20	114300-451	• Belt Tension Adjuster Bracket Screw (Finish—Spec. No. 1019)
21	153343	• Belt
22	172336	• Rotating Hook Bobbin
23	310886	• Rotating Hook Bobbin Case
24	310908	• Rotating Hook Bobbin Case Retaining Plate
25	319735	• Rotating Hook Bobbin Case Retaining Plate Stud Spring
26	319737	• Rotating Hook Bobbin Case Retaining Plate Stud Washer
27	319736	• Rotating Hook Bobbin Case Retaining Plate Stud Clip
28	114280-451	• Rotating Hook Flanged Bushing (eccentric) Set Screw (Finish—Spec. No. 1003)
29	354133-451	• Rotating Hook Flanged Bushing (eccentric) Position Adjusting Screw (Finish—Spec. No. 1003)
30	116087	• Rotating Hook Flanged Bushing (eccentric)
31	103372	• Rotating Hook
32	379505-451	• Feed Dog Screw (Finish—Spec. No. 1050)
33	103377	• Feed Dog
34	448-451	• Feed Bar Connection and Feed Lifting Fork Connection Hinge Stud (eccentric) Set Screw (Finish—Spec. No. 1003)
35	511183	• Feed Bar
36	103648	• Feed Bar 511183 with 448-451, 116082, 511016 and two 319561
37	511233	• Feed Bar Guide Pin (eccentric) Centre (back)
38	114234-451	• Feed Bar Guide Pin (eccentric) Centre (back) Set Screw (Finish—Spec. No. 1003)

See page 28

Ref. No.	Part No.	Description
39	116235	• Feed Bar Guide Pin (eccentric) Centre (front)
40	116082	• Feed Bar Connection, complete.
41	511016	• Feed Lifting Fork Connection
42	319561	• Feed Lifting Fork Connection Retaining Ring
43	511056	• Feed Lifting Fork Connection Hinge Stud (eccentric)
44	103775	• Feed Lifting Fork with 50311-830, 511057-451 and two 511213
45	50311-830	• Feed Lifting Fork Connection Hinge Stud (eccentric) Set Screw
46	500391-830	• Feed Regulator Set Screw
47	506468	• Feed Regulator and Slide Block with 500391
48	116152	• Feed Regulator Shaft
49	141738-830	• Feed Regulator Shaft Spring Collar Set Screw
50	116151	• Feed Regulator Shaft Spring Collar with 141738-830
51	310722	• Feed Regulator Shaft Crank with 379506-451
52	379506-451	• Feed Regulator Shaft Crank Set Screw
53	141756-803	• Feed Regulator Shaft Crank Hinge Screw
54	116148	• Feed Regulator Shaft Spring Retainer
55	116149	• Feed Regulator Shaft Spring
56	116148	• Feed Regulator Shaft Retainer
57	511213	• Feed Drive Shaft Retaining Ring
58	141738-869	• Feed Drive Shaft Gear Set Screw
59	153487	• Feed Drive Shaft Gear with two 141738-869
60	153356	• Feed Drive Shaft

See page 28

Ref. No.	Part No.	Description
61	511213	• Feed Lifting Fork Hinge Stud Retaining Ring
62	511057	• Feed Lifting Fork Hinge Stud (Finish-Spec. No. 1003)
63	114234-451	• Feed Lifting Fork Hinge Stud Set Screw (Finish-Spec. No. 1003)
64	153360	• Feed Drive Shaft Bushing (front)
65	354085-451	• Feed Drive Shaft Bushing (front) Set Screw (Finish-Spec. No. 1019)
66	114157-869	• Rotating Hook Drive Shaft Bevel Gear Set Screw
67	103363	• Rotating Hook Drive Shaft Bevel Gear with 114157-869
68	153383	• Rotating Hook Drive Shaft Bushing (front)
69	116197	• Rotating Hook Drive Shaft
70	141738-869	• Rotating Hook Drive Shaft Gear Set Screw
71	153490	• Rotating Hook Drive Shaft Gear with 141738-869
72	114312-451	• Rotating Hook Collar Set Screw (Finish-Spec. No. 1069)
73	116084	• Rotating Hook Collar with 114312-451
74	116073	• Rotating Hook Drive Shaft Retainer Washer
75	379506-451	• Rotating Hook Drive Shaft Belt Pulley Set Screw (Finish-Spec. No. 1069)
76	116199	• Rotating Hook Drive Shaft Belt Pulley with two 379506-451
77	511213	• Rotating Hook Drive Shaft Retainer Washer
78	103361	• Rotating Hook Bevel Gear with two 114157-869
79	114157-869	• Rotating Hook Bevel Set Screw



LIST OF PARTS

See page 33

Ref. No.	Part No.	Description	Series
1	109962	• Light Shield Screw	A B C D E F
2	93873	• Light Shield	A B C D E F
3	114151-451	• Light Retaining Clip Screw (Finish—Spec. No. 1019)	A B C D E F
4	103536-451	• Light Retaining Clip (Finish—Spec. No. 1116)	A B C D E F
5	103423-002	• Light with Lead (K13 and 14 Varieties)	B
	103423-006	• Light with Lead (K13 and 14 Varieties)	A C D E
	103423-008	• Light with Lead (K13 and 14 Varieties)	F
	103423-012	• Light with Lead (K15 Varieties)	A C D E
	103423-014	• Light with Lead (K15 Varieties)	F
6	114012	• Light Fixing Screw	A B C D E F
7	114227	• Light Lead Control Bridge Screw	A B C D E F
8	153972	• Light Lead Control Bridge (Finish—Spec. No. 1019)	A B D C E F
9	179617	• Motor Mounting Pin (K13 and 14 Varieties)	A B C D E F
10	51045-451	• Motor Mounting Pin Set Screw (Finish—Spec. No. 1003) (K13 and 14 Varieties)	A B C D E F
11	103518-001	• ENK8-7 Motor (K13 and 14 Varieties)	B
	103518-002	• ENK8-8 Motor (K13 and 14 Varieties)	B
	103518-003	• ENK8-14 Motor (K13 and 14 Varieties)	B
	103518-004	• ENK8-11 Motor (K13 and 14 Varieties)	B
	103518-005	• ENK8-12 Motor (K13 and 14 Varieties)	B
	103518-006	• ENK8-10 Motor (K13 and 14 Varieties)	A C D E

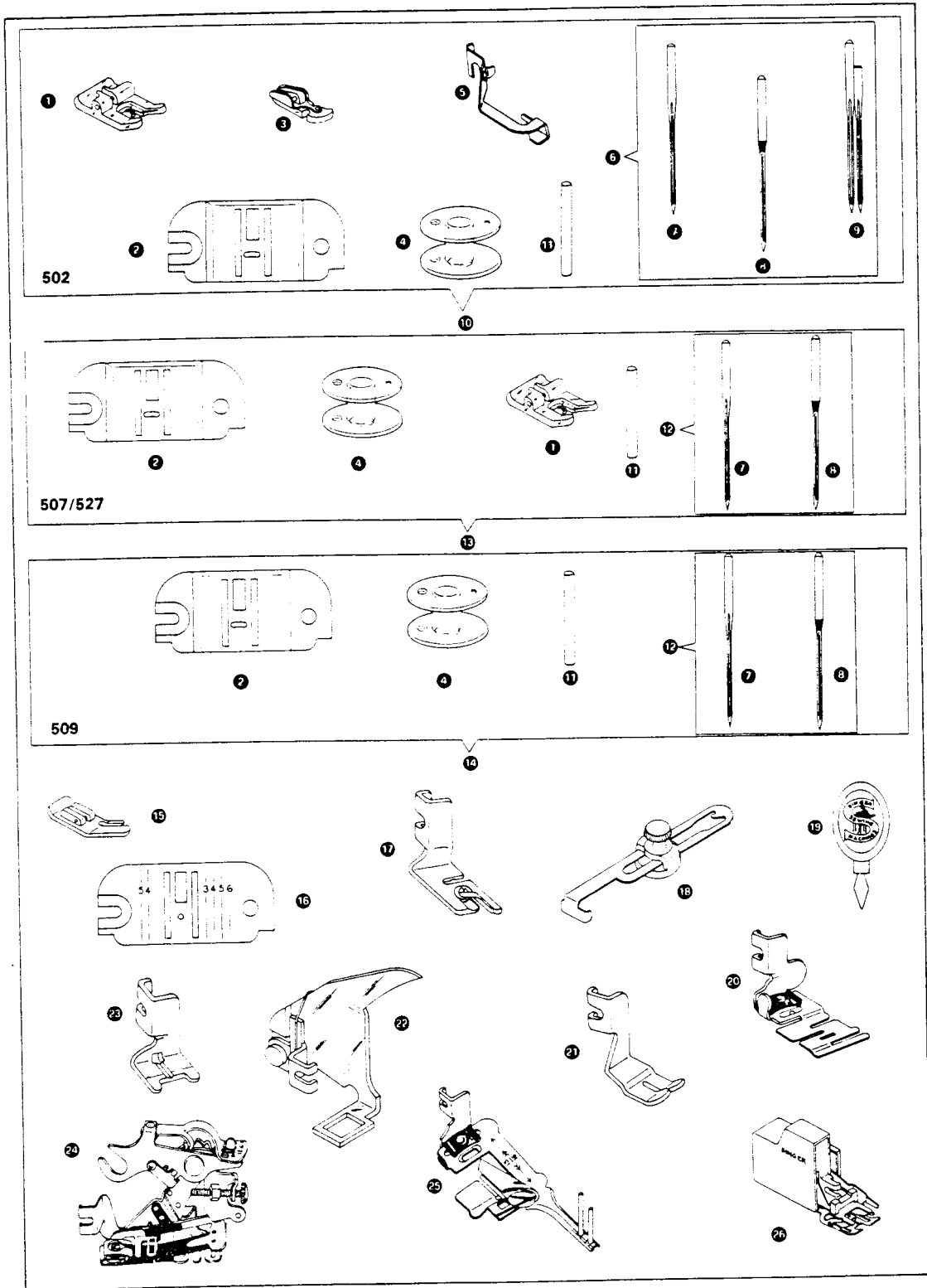
See page 33

Ref. No.	Part No.	Description	Series
11	103518-009	• ENK8-11 Motor (K13 and 14 Varieties)	A C D E
	103518-010	• ENK8-12 Motor (K13 and 14 Varieties)	A C D E F
	103518-011	• ENK8-21 Motor (K13 and 14 Varieties)	A
12	885888	• Brush Spring (K13 and 14 Varieties)	A B C D E F
13	885882-002	• Brush (K13 and 14 Varieties)	A B C D E F
14	90436	• Light Lead Clamping Clip (lower)	A B C D E F
15	103422-001	• Motor Mounting Bracket (K13 and 14 Varieties)	A B C D E F
16	179616	• Motor Insulating Bushing Sleeve (K13 and 14 Varieties)	A B C D E F
17	114226	• Motor Mounting Bracket Screw (K13 and 14 Varieties)	A B C D E F
18	114306-451	• Motor Mounting Bracket Screw Lock Nut (K13 and 14 Varieties)	A B C D E F
19	179615	• Motor Insulating Bushing (K13 and 14 Varieties)	A B C D E F
20	114225	• Motor Mounting Screw (K13 and 14 Varieties)	A B C D E F
21	603975-003	• Motor Belt (K13 and 14 Varieties)	A B C D E F
22	618177-002	• Motor Pinion Tolerance Ring (K13 and 14 Varieties)	A B C D E F
23	103543	• Motor Pinion (K13 and 14 Varieties)	A B C D E F
24	103520	• Motor Pinion Washer (K14 Varieties)	A B C D E F
25	103521	• Motor Pinion Washer Retainer (K14 Varieties)	A B C D E F
26	103540	• Light Lead Grommet	A B C D E F
27	90436	• Light Lead Clamping Clip (upper)	A B C D E F
28	103513-001	• Switch (Colour-Spec. No. 3152) 502K43, 44, 45, 522K13, 507K23, 24, 25 and 527K23 Machines	A B C D E F
	103513-002	• Switch (Colour-Spec. No. 3537) 502, 507, 527 and 509 (K13, 14 and 15 Varieties)	A B C D E F

See page 33

Ref. No.	Part No.	Description	Series
29	103418-001	• Switch Module	A B C D E F
30	114187-451	• Switch Module Mounting Screw (Finish—Spec. No. 1076)	A B C D E F
31	103511	• Capacitor (K13 and 14 Varieties)	A C D E F
32	103420	• Switch Module Cover	A B C D E F
33	103435-001	• Foot Controller (95-145 volts) (K13 and 14 Varieties)	B
	103435-004	• Foot Controller (150-250 volts) (K13 and 14 Varieties)	F
	103435-005	• Foot Controller (150-250 volts) (K13 and 14 Varieties)	E
	103435-006	• Foot Controller (150-250 volts) (K13 and 14 Varieties)	A
	103435-007	• Foot Controller (150-250 volts) (K13 and 14 Varieties)	D
	103435-008	• Foot Controller (150-250 volts) (K13 and 14 Varieties)	B
	103435-009	• Foot Controller (150-250 volts) (K13 and 14 Varieties)	C
34	103429-001	• Supply Lead (K15 Varieties)	C
	103429-002	• Supply Lead (K15 Varieties)	A E
	103429-003	• Supply Lead (K15 Varieties)	F
	103429-004	• Supply Lead (K15 Varieties)	B
	103429-005	• Supply Lead (K15 Varieties)	D
35	114306-451	• Belt Tension Adjuster Screw Lock Nut (Finish—Spec. No. 1005) (K13 and 14 Varieties)	A B C D E F





LIST OF PARTS

See page 37

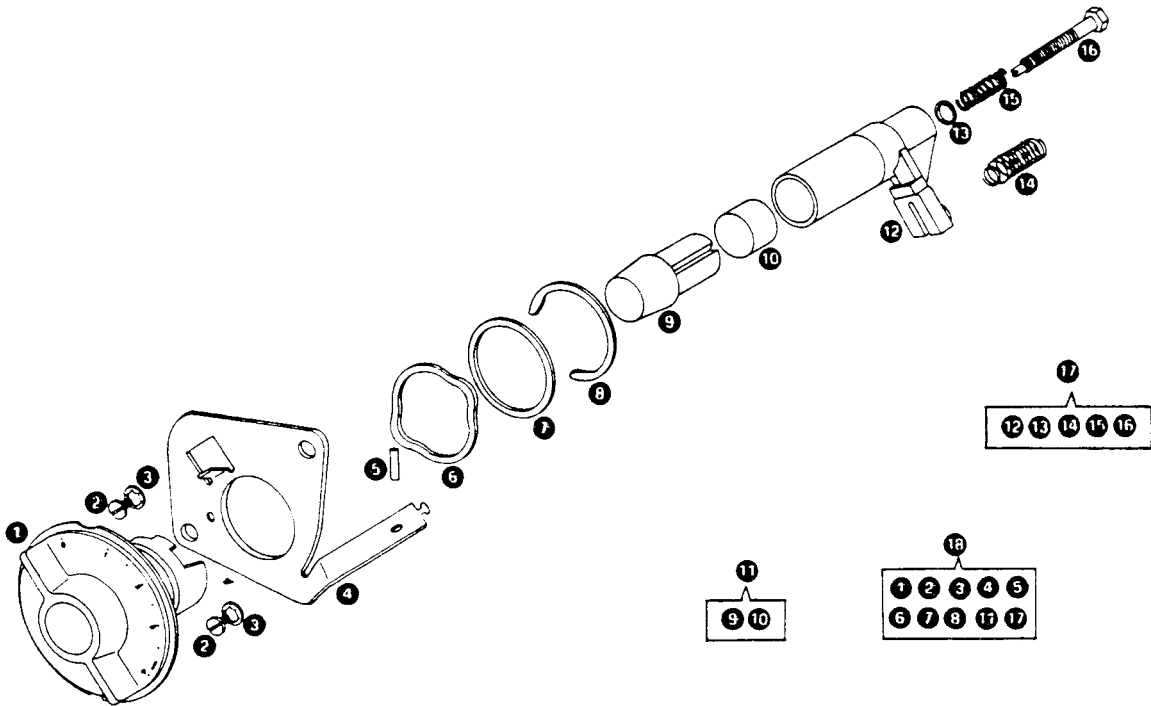
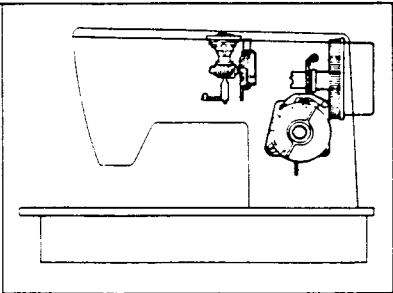
Ref. No.	Part No.	Description	Machine
1	171498	• Special Purpose Foot	502 522 507 527
2	103486	• Feed Cover Needle Plate	502 522 507 527 509
3	507836	• Zipper Foot	502 522
4	172336	• Bobbin	502 522 507 527 509
5	381213	• Blindstitch Guide	502 522
6	103487	• 5-Needle Pack (with four language label), containing one each Cat. 2020, sizes 11 and 16, one Cat. 2028 and two Cat. 2045, size 14	502 522
7	Cat. 2020	• Needle (15x1) for regular sewing	502 522 507 527 509
8	Cat. 2045	• Yellow-Band Needle (15x1) for sewing synthetic materials	502 522 507 527 509
9	Cat. 2028	• Twin Needle	502 522
10	381090	• Attachment Set (packed in a cardboard box), complete, Nos. 103486, 171498, 381213, 507836 and three 172336 (For International Division)	502 522
	116143	• Attachment Set (packed in a cardboard box), complete, Nos. 103486, 103487, 171498, 311800, 381213, 507836 and three 172336 with Instruction Leaflet (For Europe Only)	502 522
11	311800	• Spool Pin Adaptor (For Europe Only)	502 522 507 527 509
12	103489	• 5-Needle Pack (with four language label), containing one each Cat. 2020, sizes 11, 14 and 16, and two Cat. 2045, size 14	507 527 509
13	103916	• Attachment Set (packed in a cardboard box), complete, Nos. 103486, 103489, 171498 and three 172336 (For International Division)	507 527

See page 37

Ref. No.	Part No.	Description	Machine
13	116144	• Attachment Set (packed in a cardboard box), complete, Nos. 103486, 103489, 171498, 311800 and three 172336 with Instruction Leaflet (For Europe Only)	507 527
14	103917	• Attachment Set (packed in a cardboard box), complete, Nos. 103486, 103489 and three 172336	509
	116145	• Attachment Set (packed in a cardboard box), complete, Nos. 103486, 103489, 311800 and three 172336 with Instruction Leaflet (For Europe Only)	509

The following attachments are supplied at an extra charge:

15	163267	• Straight Stitch Foot	502 522 507 527
16	171392	• Straight Stitch Throat Plate	502 522 507 527
17	161671	• Hemmer Foot	502 522 507 527 509
18	161172	• Seam Guide	502 522 507 527 509
19	161307	• Needle Threader	502 522 507 527 509
20	36865	• Edge Stitcher	502 522 507 527 509
21	161659	• Gathering Foot	502 522 507 527 509
22	161876	• Darning and Embroidery Foot	502 522 507 527 509
23	161613	• Button Foot	502 522 507 527
24	86742	• Ruffler	502 522 507 527 509
25	81245	• Binder	502 522 507 527 509
26	507806	• Even Feed Foot	502 522 507 529 509



LIST OF PARTS

See page 28

Ref. No.	Part No.	Description	Machine
1	116122-451	• Feed Regulator Control Dial (Colour-Spec. No. 3319)	522 507 527
	116122-452	• Feed Regulator Control Dial (Colour-Spec. No. 3152)	502
2	114152-819	• Feed Regulator Mechanism Mounting Screw	502 522 507 527
3	98188	• Feed Regulator Mechanism Mounting Screw Lock Washer	502 522 507 527
4	116126	• Feed Regulator Mechanism Mounting Plate	502 522 507 527
5	116119	• Feed Regulator Cam Follower Stop Pin	502 522 507 527
6	116125	• Feed Regulator Control Dial Thrust Washer	502 522 507 527
7	116123	• Feed Regulator Control Dial Pressure Washer	502 522 507 527
8	116124	• Feed Regulator Dial Retainer	502 522 507 527
9	116117-451	• Feed Regulator Cam Follower End Cap (Colour-Spec. No. 3319)	522 507 527
	116117-452	• Feed Regulator Cam Follower End Cap (Colour-Spec. No. 3152)	502
10	116179	• Feed Regulator Cam Follower End Cap Retainer	502 522 507 527
11	116180-451	• Feed Regulator Cam Follower End Cap 116117-451 with 116179 (Colour-Spec. No. 3319)	522 507 527
	116180-452	• Feed Regulator Cam Follower End Cap 116117-452 with 116179 (Colour-Spec. No. 3152)	502
12	116116	• Feed Regulator Cam Follower	502 522 507 527
13	93779	• Feed Regulator Cam Follower Adjusting Screw Washer	502 522 507 527
14	116118	• Feed Regulator Return Spring	502 522 507 527
15	155972	• Feed Regulator Follower Adjusting Screw	502 522 507 527
16	379505-451	• Feed Regulator Adjusting Screw	502 522 507 527
17	116136	• Feed Regulator Follower 116116 with 93779, 155972 and 379505-451	502 522 507 527
18	116128-451	• Feed Regulator Mechanism Assembly (Colour-Spec. No. 3319) Nos. 116118, 116119, 116122-451, 116123, 116124, 116125, 116126 and 116136	522 507 527
	116128-452	• Feed Regulator Mechanism Assembly (Colour-Spec. No. 3152) Nos. 116118, 116119, 116122-452, 116123, 116124, 116125, 116126 and 116136	502