



**LIST OF PARTS**  
**SEWING MACHINE SERIES**  
**4800/4900**  
**AND 84350**

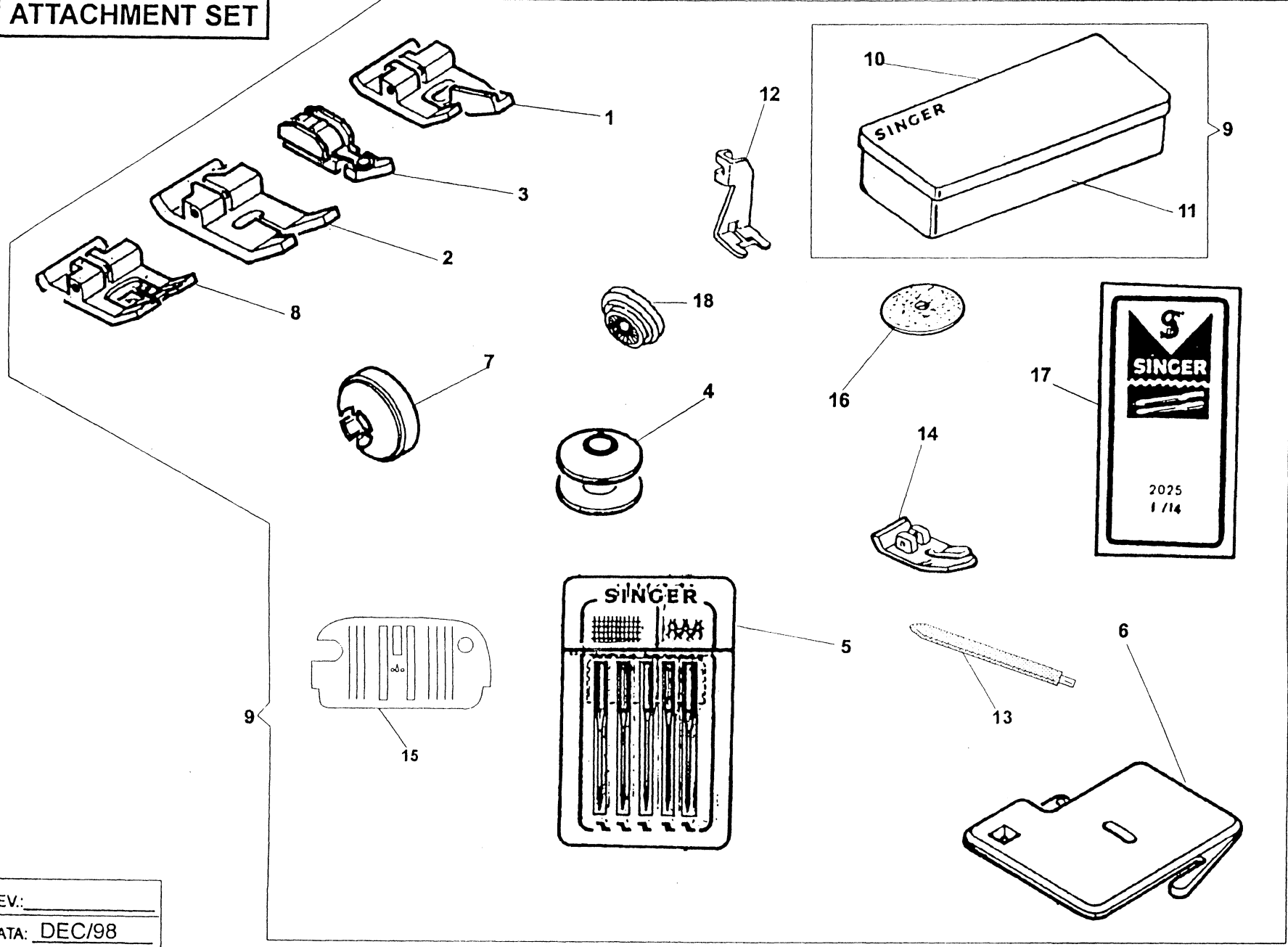
THE SINGER COMPANY  
© 1998 SINGER DO BRASIL  
ALL RIGHTS RESERVED

PRINTED IN BRAZIL  
P/N 357670-001  
DEC/98

**PART LIST  
4800,4900 AND 84350  
REVISION RECORD**

REV.	DESCRIPTION	APPROVAL AND DATE
	ADOPT.	L.F.GONZAGA DEC./98

ATTACHMENT SET



REV: \_\_\_\_\_  
 DATA: DEC/98

**PART LIST  
ATTACHMENT SET**

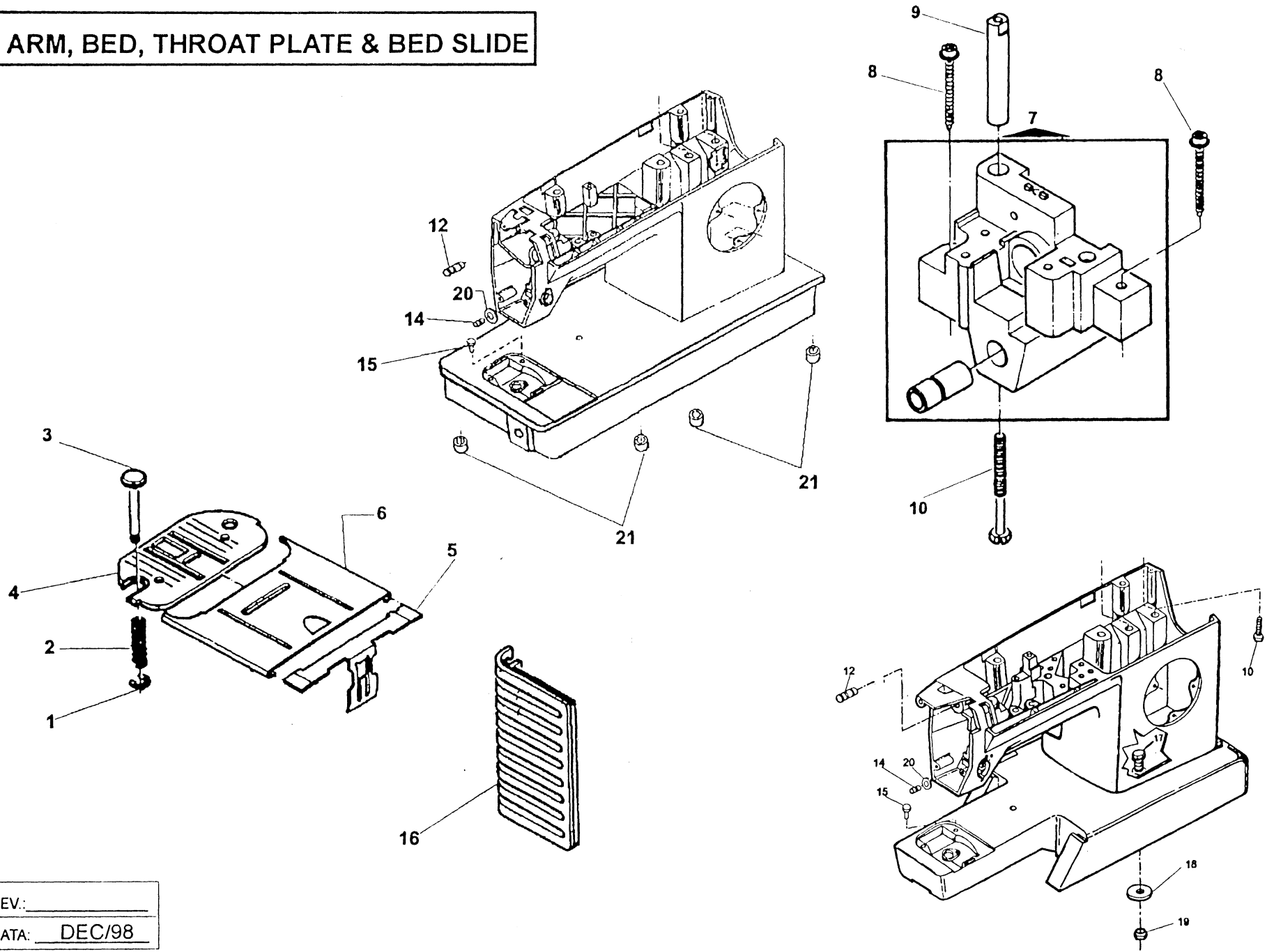
**4 4 4 4 4 4 4 4 4 4 4 4 4 8 4 4 4  
8 8 8 8 8 8 8 8 8 8 8 8 8 4 9 9 9  
0 1 1 1 1 2 2 2 2 2 3 3 3 1 1 3  
2 4 5 7 8 0 2 4 6 8 0 2 5 4 7 0  
0**

**REF. PART NBR.**

**DESCRIPTION**

01	446492-451	SPECIAL PURPOSE PRESSER FOOT PLATE (SNAP-ON)	-	-	-	X	X	X	X	X	X	X	X	X	X	X	X	X	-	X	X
02	161927	PRESSER FOOT PLATE (SNAP-ON) FOR SEWING BUTTONHOLES	-	X	X	X	X	X	X	X	X	X	X	X	X	X	X	X	X	X	X
03	507836	PRESSER F. PL.(SNAP-ON) COMPL.FOR CORD. & SLIDE FASTENERS	-	-	-	X	X	X	X	X	X	X	X	X	X	X	X	X	-	X	X
04	172336	BOBBIN (PLASTIC)	X	X	X	X	X	X	X	X	X	X	X	X	X	X	X	X	X	X	X
05	353364	NEEDLE PACK (INCLUDES 1 EA. N2020 SIZE 11/14/16 & N2045 SIZE 11/14)	X	X	X	X	X	X	X	X	X	X	X	X	X	X	X	X	X	X	X
06	313117	FEED COVER PLATE (PLASTIC)	X	X	X	X	-	X	X	X	X	X	X	X	X	X	X	X	X	X	X
07	507664-467	ARM TOP COVER SPOOL PIN THREAD LEAD-OFF (SMALL PLASTIC)	X	X	X	X	X	X	X	X	X	X	X	X	X	X	X	X	X	X	X
08	356630	BLIND STITCH GUIDE PRESSER FOOT	-	-	-	X	-	X	X	X	X	X	X	X	X	X	X	X	-	X	X
09	357030	ATTACHMENT SET COMPLETE	-	-	-	X	-	X	X	X	X	X	X	X	X	X	X	X	-	-	-
09	357031	ATTACHMENT SET COMPLETE	X	X	-	-	-	-	-	-	-	-	-	-	-	-	-	-	-	-	-
09	353481-002	ATTACHMENT SET COMPLETE	-	-	-	-	X	-	-	-	-	-	-	-	-	-	-	-	-	-	-
09	356946-001	ATTACHMENT SET COMPLETE	-	-	-	-	-	-	-	-	-	-	-	-	-	-	-	-	X	-	-
09	446496-003	ATTACHMENT SET COMPLETE	-	-	-	-	-	-	-	-	-	-	-	-	-	-	-	-	-	X	X
09	357392	ATTACHMENT SET COMPLETE	-	X	X	-	-	-	-	-	-	-	-	-	-	-	-	-	-	-	-
09	357371	ATTACHMENT SET COMPLETE	X	-	-	-	-	-	-	-	-	-	-	-	-	-	-	-	-	-	-
10	446149-458	ATTACHMENT BOX COVER(PLASTIC)	-	-	-	-	-	-	-	-	-	-	-	-	-	-	-	-	X	X	X
10	446149-461	ATTACHMENT BOX COVER(PLASTIC)	X	-	-	-	-	-	-	-	-	-	-	-	-	-	-	-	-	-	-
11	446148-456	ATTACHMENT BOX BASE(PLASTIC)	-	-	-	-	-	-	-	-	-	-	-	-	-	-	-	-	X	X	X
11	446148-458	ATTACHMENT BOX BASE(PLASTIC)	X	-	-	-	-	-	-	-	-	-	-	-	-	-	-	-	-	-	-
12	179911	PRESSER FOOT PLATE FOR SEWING ON BUTTON	X	-	-	-	-	-	-	-	-	-	-	-	-	-	-	-	-	-	-
13	356942-453	ARM TOP COVER SPOOL PIN	X	-	-	-	-	-	-	-	-	-	-	-	-	-	-	-	-	-	-
14	153267	PRESSER FOOT PLATE FOR STRAIGHT STITCH	-	-	-	-	X	-	-	-	-	-	-	-	-	-	-	-	-	-	-
15	356714	THROAT PLATE STRAIGHT STITCH	-	-	-	-	X	-	-	-	-	-	-	-	-	-	-	-	-	-	-
16	8879-656	ARM SPOOL PIN WASHER (FELT)	X	-	-	-	-	-	-	-	-	-	-	-	-	-	-	-	-	-	-
17	531868	NEEDLE PACK WITH NEEDLE 2025 SIZE 14	X	-	-	-	-	-	-	-	-	-	-	-	-	-	-	-	-	-	-
18	179967-461	ARM TOP COVER SPOOL PIN THREAD LEAD-OFF	X	X	X	X	X	X	X	X	X	X	X	X	X	X	X	X	X	X	X

ARM, BED, THROAT PLATE & BED SLIDE



REV: \_\_\_\_\_  
DATA: DEC/98

**PART LIST  
ARM,BED THROAT PLATE  
& BED SLID**

4 4 4 4 4 4 4 4 4 4 4 4 8 4 4 4  
8 8 8 8 8 8 8 8 8 8 8 8 4 9 9 9  
0 1 1 1 1 2 2 2 2 2 3 3 3 1 1 3  
2 4 5 7 8 0 2 4 6 8 0 2 5 4 7 0  
0

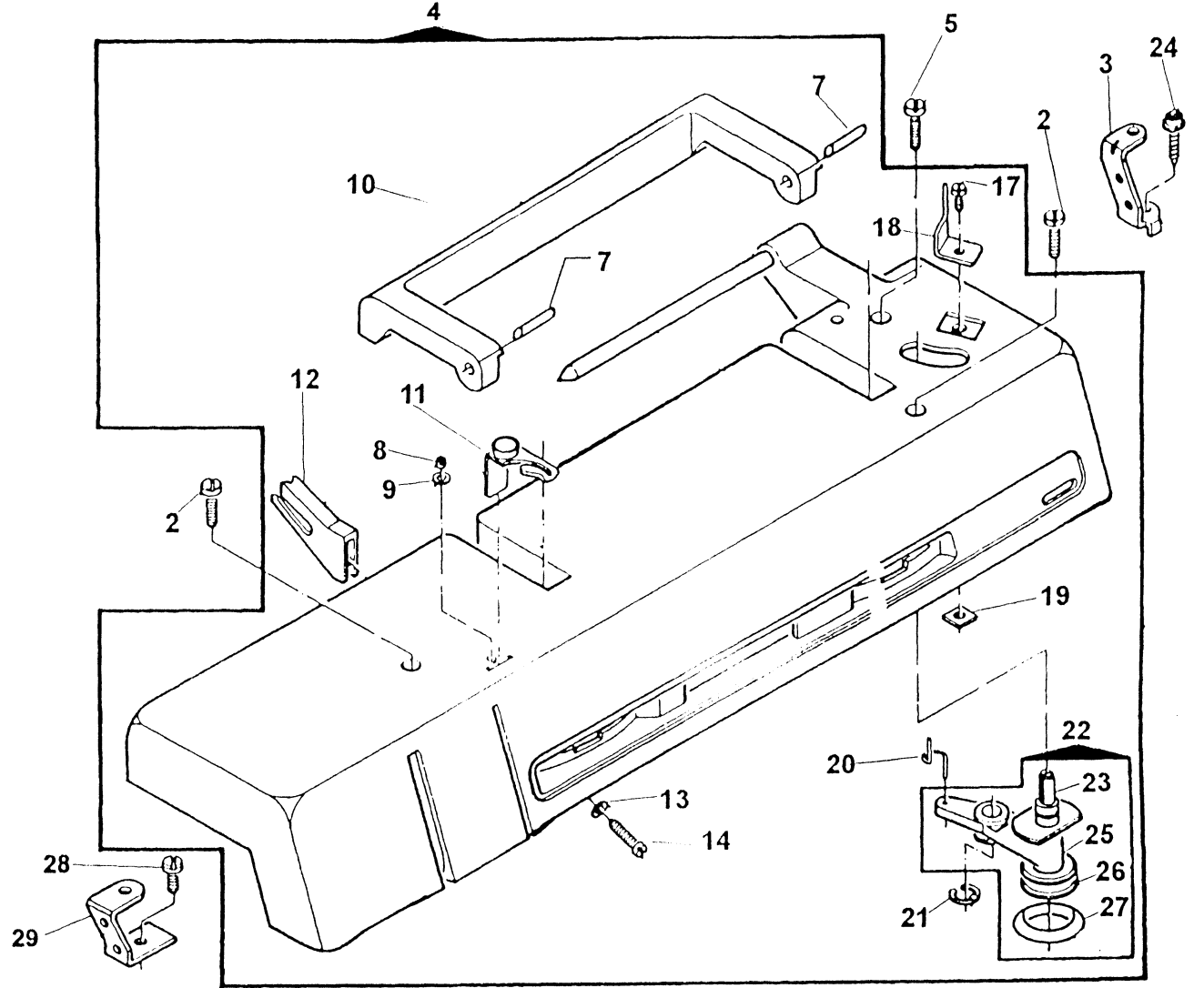
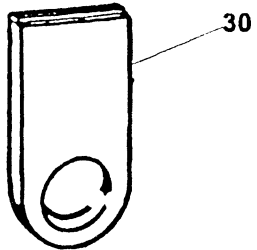
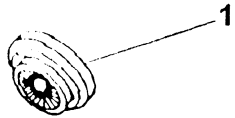
REF. PART NBR.

DESCRIPTION

01	179926	THROAT PLATE CLAMP SPRING RETAINING RING	X	X	X	X	X	X	X	X	X	X	X	X	X	X	X	X
02	357611	THROAT PLATE CLAMP SPRING	X	X	X	X	X	X	X	X	X	X	X	X	X	X	X	X
03	353597	THROAT PLATE CLAMP	X	X	X	X	X	X	X	X	X	X	X	-	-	-	-	-
03	357445	THROAT PLATE CLAMP	-	-	-	-	-	-	-	-	-	-	-	-	-	X	X	X
04	356713	THROAT PLATE FOR ZIG-ZAG SEWING	X	X	X	X	X	X	X	X	X	X	X	X	X	X	X	X
05	446482	BED SLIDE SPRING	X	X	X	X	X	X	X	X	X	X	X	X	X	X	X	X
06	356715	BED SLIDE	X	X	X	X	X	X	X	X	X	X	X	X	-	-	-	-
06	179982	BED SLIDE	-	-	-	-	-	-	-	-	-	-	-	-	-	X	X	X
07	357017-002	ARM SHAFT (REAR) HOUSING ASSEMBLY	X	X	X	X	X	X	X	X	X	X	X	X	X	X	X	X
7	113455-006	ARM SHAFT (REAR) HOUSING MOUNTING SCREW	X	X	X	X	X	X	X	X	X	X	X	X	X	X	X	X
09	357019	ARM TOP COVER SUPPORT STUD	X	X	X	X	X	X	X	X	X	X	X	X	X	X	X	X
10	357020-451	ARM SHAFT (REAR) HOUSING MOUNTING BOLT	X	X	X	X	X	X	X	X	X	X	X	X	X	X	X	X
12	446375	THREAD TAKE-UP LEVER LINK HINGE STUD	X	X	X	X	X	X	X	X	X	X	X	X	X	X	X	X
14	357438-001	TENSION RELEASING LEVER HINGE PIN	X	X	X	X	X	X	X	X	X	X	X	X	X	X	X	X
15	353624	THROAT PLATE POSITION PIN	X	X	X	X	X	X	X	X	X	X	X	X	X	X	X	X
16	356957-900	ARM INSERT MOTOR VENT GRILL	X	-	X	X	X	X	X	X	X	X	X	X	X	X	-	X
16	353360-45X	ARM INSERT MOTOR VENT GRILL	X	X	-	-	-	-	-	-	-	-	-	-	-	-	X	-
17	355250-451	BED (BOTTOM) COVER & CABINET BOLT	X	X	X	X	X	X	X	X	X	X	X	X	-	-	-	-
18	353375-451	BED (BOTTOM) COVER & CABINET BOLT WASHER	X	X	X	X	X	X	X	X	X	X	X	X	-	-	-	-
19	514608	BED (BOTTOM) COVER & CABINET BOLT NUT	X	X	X	X	X	X	X	X	X	X	X	X	-	-	-	-
20	357464-002	TENSION RELEASING LEVER HINGE PIN WASHER	X	X	X	X	X	X	X	X	X	X	X	X	X	X	X	X
21	353559-451	UNDER BED COVER CUSHION	X	X	X	X	X	X	X	X	X	X	X	X	X	X	X	X

REF.	NEW P/N	IN REPLACE OF	DATE
11	-----	353623	10/26/98
13	-----	353215	10/26/98
20	357464-002	-----	10/26/98

ARM TOP COVER



REV.: \_\_\_\_\_  
DATA: DEC/98

**PART LIST  
ARM TOP COVER**

**4 4 4 4 4 4 4 4 4 4 4 4 8 4 4 4  
8 8 8 8 8 8 8 8 8 8 8 8 4 9 9 9  
0 1 1 1 1 2 2 2 2 2 3 3 3 1 1 3  
2 4 5 7 8 0 2 4 6 8 0 2 5 4 7 0  
0**

**REF. PART NBR.**

**DESCRIPTION**

01	179967-461	ARM TOP COVER THREAD LEAD OFF (LARGE)	X	X	X	X	X	X	X	X	X	X	X	X	X	X	X	X	X
02	354895-453	ARM TOP COVER SCREW	X	X	X	X	X	X	X	X	X	X	X	X	X	X	X	X	X
03	353343	ARM TOP COVER MOUNTING BRACKET (RIGHT)	X	X	X	X	X	X	X	X	X	X	X	X	X	X	X	X	X
04	357072-XXX	ARM TOP COVER COMPLETE	-	-	-	-	-	-	-	-	-	-	-	-	-	-	-	-	-
05	354975-451	ARM TOP COVER SCREW (RIGHT, FRONT)	X	X	X	X	X	X	X	X	X	X	X	X	X	X	X	X	X
07	357325-900	ARM TOP COVER MACHINE HANDLE HINGE PIN	X	X	X	X	X	X	X	X	X	X	X	X	X	X	X	X	X
08	141936-833	BOBBIN WINDER TENSION BRACKET ADJUSTING SCREW	X	X	X	X	X	X	X	X	X	X	X	X	X	X	X	X	X
09	44794	BOBBIN WINDER TENSION BRACKET ADJUSTING SCREW RETAINING CLIP	X	X	X	X	X	X	X	X	X	X	X	X	X	X	X	X	X
10	357329-900	ARM TOP COVER MACHINE HANDLE	X	X	X	X	X	X	X	X	X	X	X	X	X	X	X	X	X
11	356047	BOBBIN WINDER TENSION COMPLETE	X	X	X	X	X	X	X	X	X	X	X	X	X	X	X	X	X
12	357084-451	ARM TOP COVER THREAD GUIDE	X	X	X	X	X	X	X	X	X	X	X	X	X	X	X	X	X
13	446138	ARM TOP COVER THREAD GUIDE SCREW WASHER	X	X	X	X	X	X	X	X	X	X	X	X	X	X	X	X	X
14	356116-451	ARM TOP COVER THREAD GUIDE SCREW	X	X	X	X	X	X	X	X	X	X	X	X	X	X	X	X	X
17	141920-455	BOBBIN WINDER STOP SCREW	X	X	X	X	X	X	X	X	X	X	X	X	X	X	X	X	X
18	445924	BOBBIN WINDER STOP	X	X	X	X	X	X	X	X	X	X	X	X	X	X	X	X	X
19	53640-819	BOBBIN WINDER STOP SCREW NUT	X	X	X	X	X	X	X	X	X	X	X	X	X	X	X	X	X
20	531766	BOBBIN WINDER HINGE STUD SPRING	X	X	X	X	X	X	X	X	X	X	X	X	X	X	X	X	X
21	445486	BOBBIN WINDER RETAINING RING	X	X	X	X	X	X	X	X	X	X	X	X	X	X	X	X	X
22	531767-452	BOBBIN WINDER ASSEMBLY	X	X	X	X	X	X	X	X	X	X	X	X	X	X	X	X	X
23	357081-452	BOBBIN WINDER SPINDLE COMPLETE	X	X	X	X	X	X	X	X	X	X	X	X	X	X	X	X	X
24	113455-001	ARM TOP COVER MOUNTING BRACKET SCREW	X	X	X	X	X	X	X	X	X	X	X	X	X	X	X	X	X
25	357082-452	BOBBIN WINDER FRAME	X	X	X	X	X	X	X	X	X	X	X	X	X	X	X	X	X
26	44440-001	BOBBIN WINDER PULLEY	X	X	X	X	X	X	X	X	X	X	X	X	X	X	X	X	X
27	15287-701	BOBBIN WINDER FRICTION RING (RUBBER)	X	X	X	X	X	X	X	X	X	X	X	X	X	X	X	X	X
28	354826-451	ARM TOP COVER MOUNTING BRACKET SCREW	X	X	X	X	X	X	X	X	X	X	X	X	X	X	X	X	X
29	531765	ARM TOP COVER MOUNTING BRACKET (LEFT)	X	X	X	X	X	X	X	X	X	X	X	X	X	X	X	X	X
30	356843-XXX	ARM TOP COVER SHROUDED	-	-	-	-	-	-	-	-	-	-	-	-	-	-	-	-	-

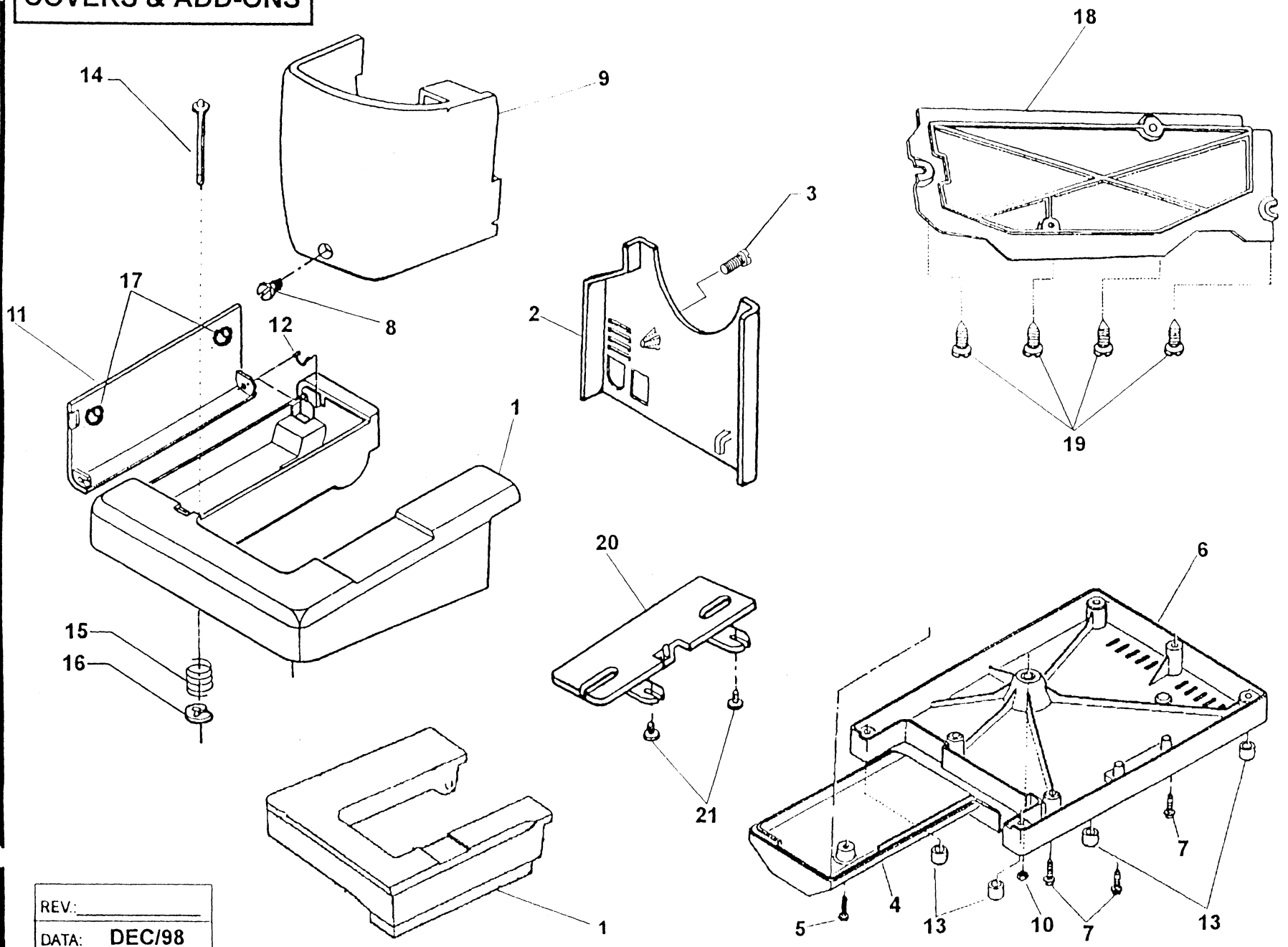
NOTE: PLEASE WHEN NEED THE PART NUMBER (-----XXX), INDICATE THE MACHINE MODEL WHERE WILL BE USED.

4800 series, 4900 series and 84350 model.  
P/N 357670-001

Adopt.



COVERS & ADD-ONS



REV: \_\_\_\_\_  
DATA: DEC/98

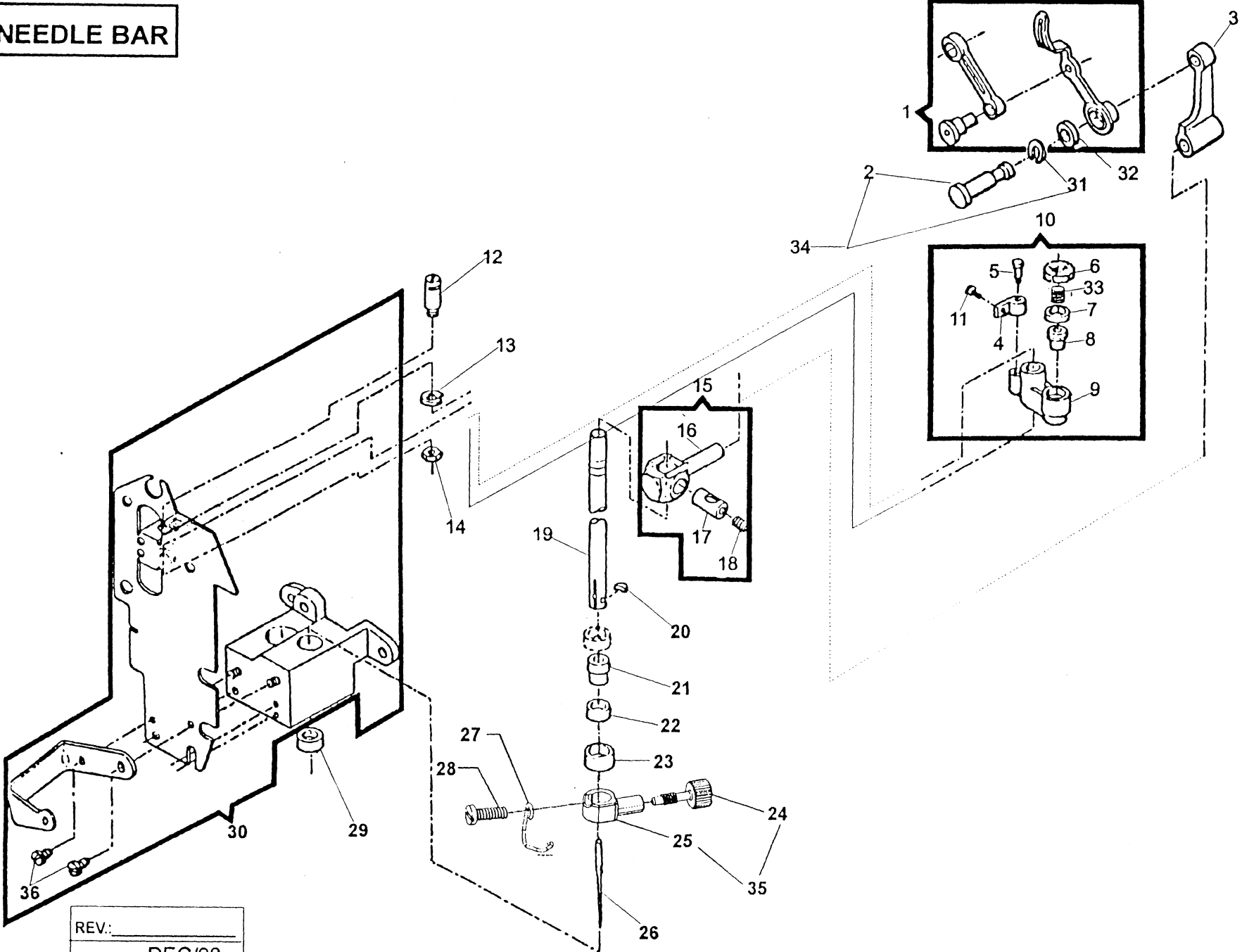
**PART LIST  
COVERS AND ADD-ONS**

4 4 4 4 4 4 4 4 4 4 4 4 8 4 4 4  
8 8 8 8 8 8 8 8 8 8 8 8 4 9 9 9  
0 1 1 1 1 2 2 2 2 2 3 3 3 1 1 3  
2 4 5 7 8 0 2 4 6 8 0 2 5 4 7 0

REF. PART NBR.	DESCRIPTION	0
01 356027-452	BED EXTENSION CLOTH PLATE	X - - - - - - - - - - - - - - -
01 356989-451	BED EXTENSION CLOTH PLATE	X X X X X X X X X X X X X - - -
02 356953-XXX	ARM END COVER (UL/CSA APPROVAL)	X X X X X X X X X X X X X X X X
03 354637-453	ARM END COVER SCREW	X X X X X X X X X X X X X X X X
04 446493-453	BED (TUBULAR) BOTTOM COVER (PLASTIC)	X X X X X X X X X X X X X - - -
05 354895-453	BED (TUBULAR) BOTTOM COVER FASTENING SCREW	X X X X X X X X X X X X X - - -
06 356929-451	BED (BOTTOM) COVER (PLASTIC)	X X X X X X X X X X X X X - - -
07 113455-001	BED (BOTTOM) COVER FASTENING SCREW	X X X X X X X X X X X X X - - -
08 354133-453	FACE PLATE SCREW	X X X X X X X X X X X X X X X X
09 356806-452	FACE PLATE COMPLETE (WITHOUT GRILLE)	X X X X X X X X X X X X X X X X
10 514608	BED (BOTTOM) COVER FASTENING SCREW NUT	X X X X X X X X X X X X X - - -
11 356956-451	BED EXTENSION LID	X X X X X X X X X X X X X - - -
12 357002	BED EXTENSION SPRING	X X X X X X X X X X X X X - - -
13 353559-451	BED CUSHION	X X X X X X X X X X X X X X X X
14 357056-451	BED EXTENSION CLOTH PLATE MOUNTING PIN	X X X X X X X X X X X X X - - -
5 357059	BED EXTENSION CLOTH PLATE MOUNTING PIN SPRING	X X X X X X X X X X X X X - - -
16 446417	BED EXTENSION CLOTH PLATE MOUNTING RETAINING RING	X X X X X X X X X X X X X - - -
17 357064	BED EXTENSION CLOTH CUSHION	X X X X X X X X X X X X X - - -
18 357356	UNDER BED COVER (PLASTIC)	- - - - - - - - - - - - - X X X
19 113455-003	UNDER BED COVER SCREW	- - - - - - - - - - - - - X X X
20 446263-455	BED EXTENSION	- - - - - - - - - - - - - X X X
21 113455-003	BED EXTENSION SCREW	- - - - - - - - - - - - - X X X

**NOTE:** PLEASE WHEN NEED THE PART (-----XXX), INDICATE THE MACHINE MODEL WHERE WILL BE USED.

NEEDLE BAR



REV.: \_\_\_\_\_  
DATE: DEC/98



**PART LIST  
NEEDLE BAR(CONT.)**

4 4 4 4 4 4 4 4 4 4 4 4 8 4 4 4  
 8 8 8 8 8 8 8 8 8 8 8 8 4 9 9 9  
 0 1 1 1 1 2 2 2 2 2 3 3 3 1 1 3  
 2 4 5 7 8 0 2 4 6 8 0 2 5 4 7 0  
 0

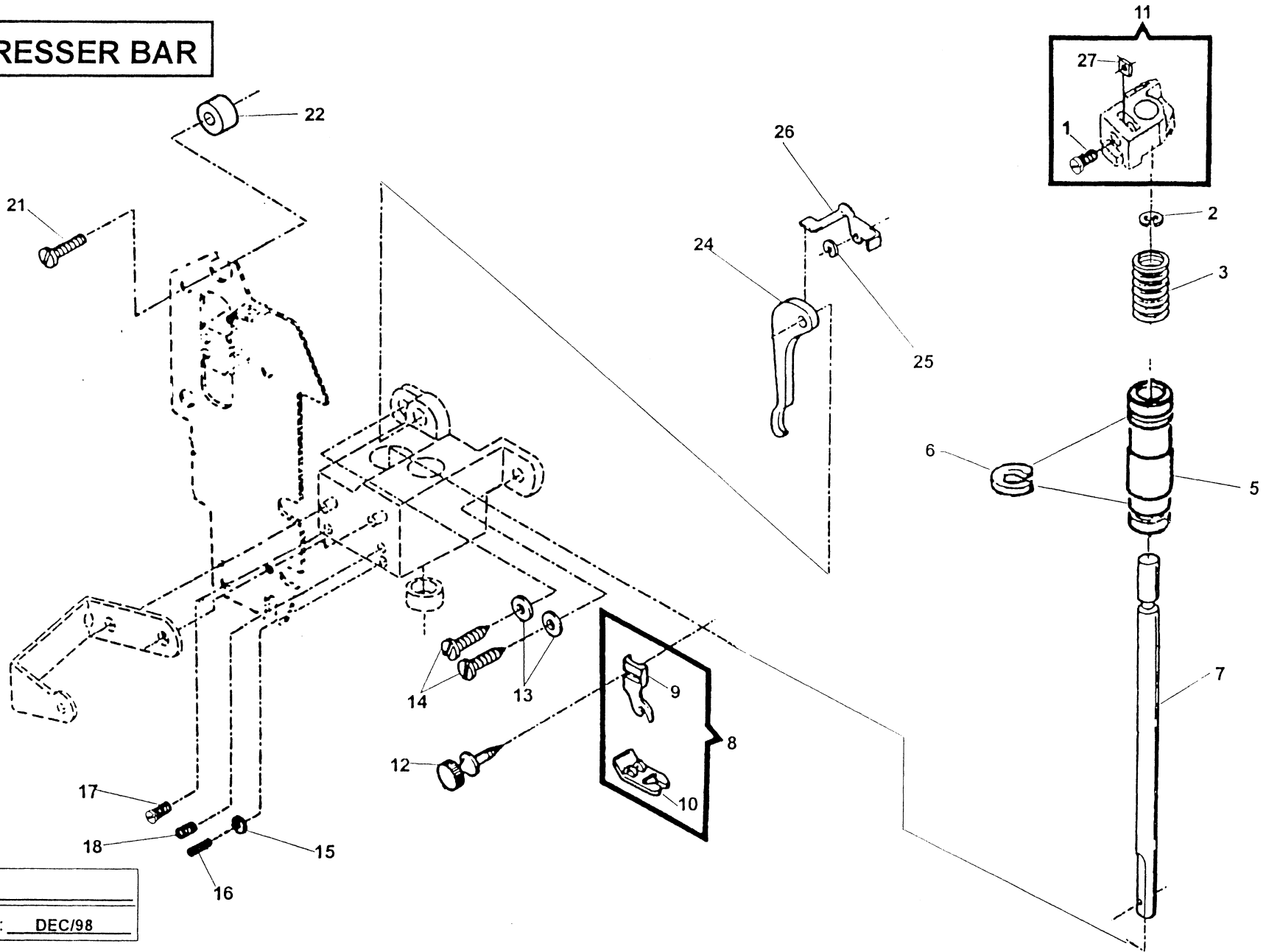
**REF. PART NBR.**

**DESCRIPTION**

32	543531	THREAD TAKE-UP STUD THRUST WASHER	X	X	X	X	X	X	X	X	X	X	X	X	X	X	X	X
33	357616	NEEDLE BAR BALL BUSHING (UPPER) WAVED WASHER	X	X	X	X	X	X	X	X	X	X	X	X	X	X	X	X
34	446261	THREAD TAKE-UP STUD WITH RETAINING RING	X	X	X	X	X	X	X	X	X	X	X	X	X	X	X	X
35	357430	NEEDLE CLAMP BODY WITH SCREW	X	X	X	X	X	X	X	X	X	X	X	X	X	X	X	X
36	113480-451	NEEDLE BAR, PRESSER BAR & VIBRATING BRACKET HOUSING PLATE MOUTING CREW	X	X	X	X	X	X	X	X	X	X	X	X	X	X	X	X

<b>REF.</b>	<b>NEW</b>	<b>IN REPLACE OF</b>	<b>DATE</b>
30	357360-000	356599-000	01/26/98

# PRESSER BAR



REV: \_\_\_\_\_  
DATA: DEC/98

**PART LIST  
PRESSER BAR**

4 4 4 4 4 4 4 4 4 4 4 4 4 8 4 4 4  
 8 8 8 8 8 8 8 8 8 8 8 8 4 9 9 9  
 0 1 1 1 1 2 2 2 2 2 3 3 3 1 1 3  
 2 4 5 7 8 0 2 4 6 8 0 2 5 4 7 0

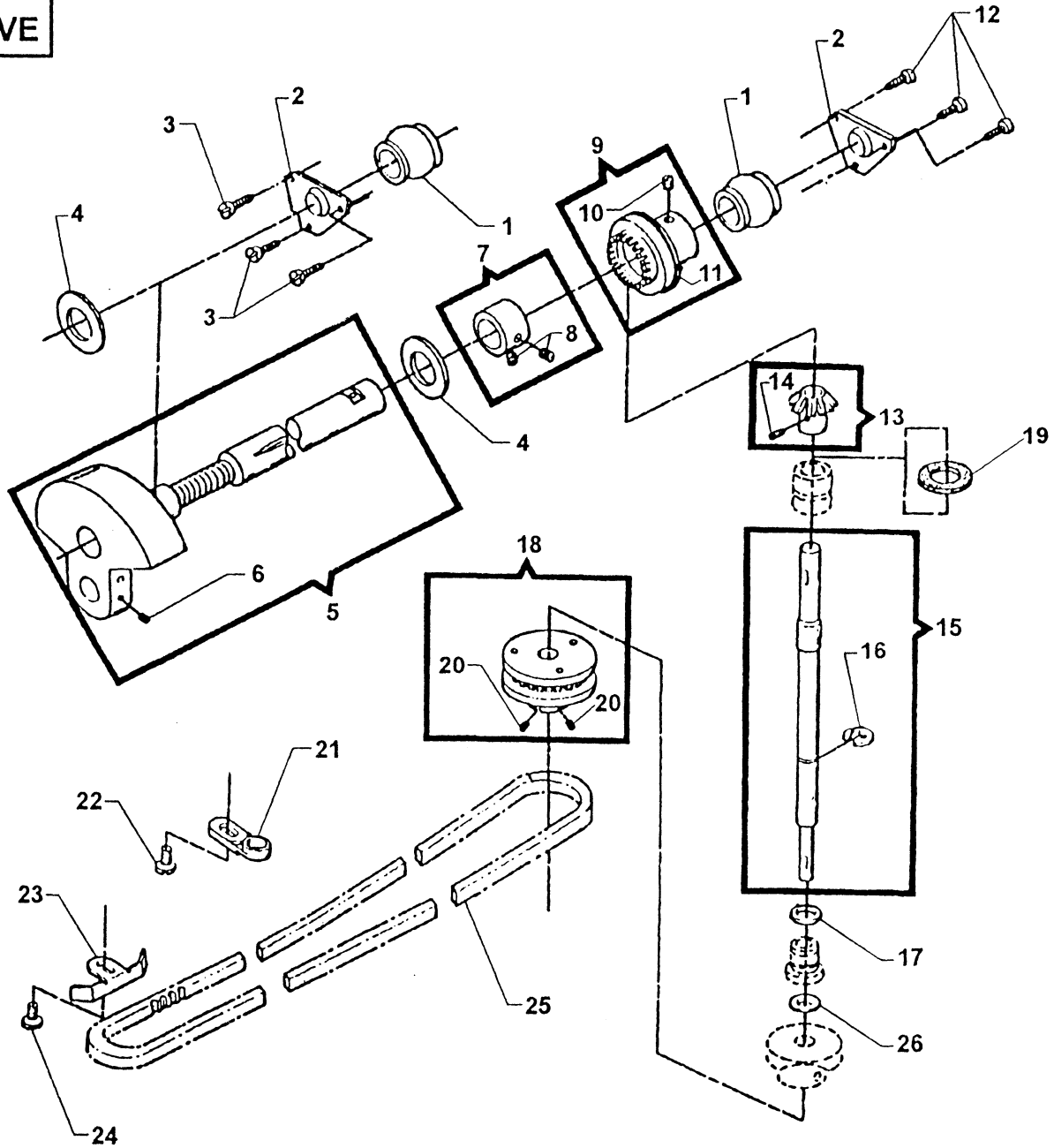
**REF. PART NBR. DESCRIPTION** **0**

01	355279-451	PRESSER BAR GUIDE BRACKET SET SCREW	X	X	X	X	X	X	X	X	X	X	X	X	X	X	X	X	X	X	X
02	353215	PRESSER BAR SPRING RETAINING RING (UPPER)	X	X	X	X	X	X	X	X	X	X	X	X	X	X	X	X	X	X	X
03	357362	PRESSER BAR SPRING	X	X	X	X	X	X	X	X	X	X	X	X	X	X	X	X	X	X	X
04	357604	PRESSER BAR SPRING RETAINING RING	X	X	X	X	X	X	X	X	X	X	X	X	X	X	X	X	X	X	X
05	445947-001	PRESSER BAR BUSHING	X	X	X	X	X	X	X	X	X	X	X	X	X	X	X	X	X	X	X
06	357604	PRESSER BAR BUSHING LOCATING RING	X	X	X	X	X	X	X	X	X	X	X	X	X	X	X	X	X	X	X
07	357602	PRESSER BAR	X	X	X	X	X	X	X	X	X	X	X	X	X	X	X	X	X	X	X
08	446372	PRESSER FOOT (SNAP-ON) COMPLETE FOR ZIG-ZAG SEWING	X	X	X	X	X	X	X	X	X	X	X	X	X	X	X	X	X	X	X
09	155964	PRESSER FOOT SHANK (SNAP-ON)	X	X	X	X	X	X	X	X	X	X	X	X	X	X	X	X	X	X	X
10	446371	PRESSER FOOT PLATE (SNAP-ON) FOR ZIG-ZAG SEWING	X	X	X	X	X	X	X	X	X	X	X	X	X	X	X	X	X	X	X
	357363	PRESSER BAR GUIDE BRACKET ASSEMBLY	X	X	X	X	X	X	X	X	X	X	X	X	X	X	X	X	X	X	X
12	354135-452	PRESSER FOOT THUMB SCREW	X	X	X	X	X	X	X	X	X	X	X	X	X	X	X	X	X	X	X
13	353375-451	NEEDLE BAR, PRESSER BAR & VIBRATING BRACKET HOUSING MOUTING SCREW (LOWER) WASHER	X	X	X	X	X	X	X	X	X	X	X	X	X	X	X	X	X	X	X
14	113434-451	NEEDLE BAR, PRESSER BAR & VIBRATING BRACKET HOUSING MOUTING SCREW (LOWER)	X	X	X	X	X	X	X	X	X	X	X	X	X	X	X	X	X	X	X
15	54591-451	NEEDLE BAR OVER THROW SET SCREW NUT	X	X	X	X	X	X	X	X	X	X	X	X	X	X	X	X	X	X	X
16	354993-451	NEEDLE BAR OVER THROW SET SCREW	X	X	X	X	X	X	X	X	X	X	X	X	X	X	X	X	X	X	X
17	354906-451	PRESSER BAR BUSHING SET SCREW	X	X	X	X	X	X	X	X	X	X	X	X	X	X	X	X	X	X	X
18	141938-833	NEEDLE BAR BALL BUSHING (LOWER) ADJUSTING COLLAR SET SCREW	X	X	X	X	X	X	X	X	X	X	X	X	X	X	X	X	X	X	X
19	446353	PRESSER BAR GUIDE BRACKET POSITIONER	X	X	X	X	X	X	X	X	X	X	X	X	X	X	X	X	X	X	X
20	141913-451	PRESSER BAR GUIDE BRACKET POSITIONER SCREW	X	X	X	X	X	X	X	X	X	X	X	X	X	X	X	X	X	X	X
21	113455-009	N.BAR & PRESSER BAR VIBR. BRAC. HOUSING MOUT.SCREW (UPPER)	X	X	X	X	X	X	X	X	X	X	X	X	X	X	X	X	X	X	X
22	531627	NEEDLE BAR, PRESSER BAR & VIBRAT.BRAC. HOUNSING MOUT.BUSH.	X	X	X	X	X	X	X	X	X	X	X	X	X	X	X	X	X	X	X
24	356170-451	PRESSER BAR LIFTER	X	X	X	X	X	X	X	X	X	X	X	X	X	X	X	X	X	X	X
25	445486	TENSION RELEASING LEVER RETAINING RING	X	X	X	X	X	X	X	X	X	X	X	X	X	X	X	X	X	X	X
26	445925	TENSION RELEASING LEVER	X	X	X	X	X	X	X	X	X	X	X	X	X	X	X	X	X	X	X
27	353367-451	PRESSER BAR GUIDE BRACKET NUT	X	X	X	X	X	X	X	X	X	X	X	X	X	X	X	X	X	X	X

<b>REF.</b>	<b>NEW</b>	<b>IN REPLACE OF</b>	<b>DATE</b>
03	357362	353214	01/26/98
07	357602	314638	01/26/98
11	357363	353212	01/26/98

4800 series, 4900 series and 84350 model.  
 P/N 357670-001

# ARM SHAFT DRIVE



REV: \_\_\_\_\_  
DATE: DEC/98

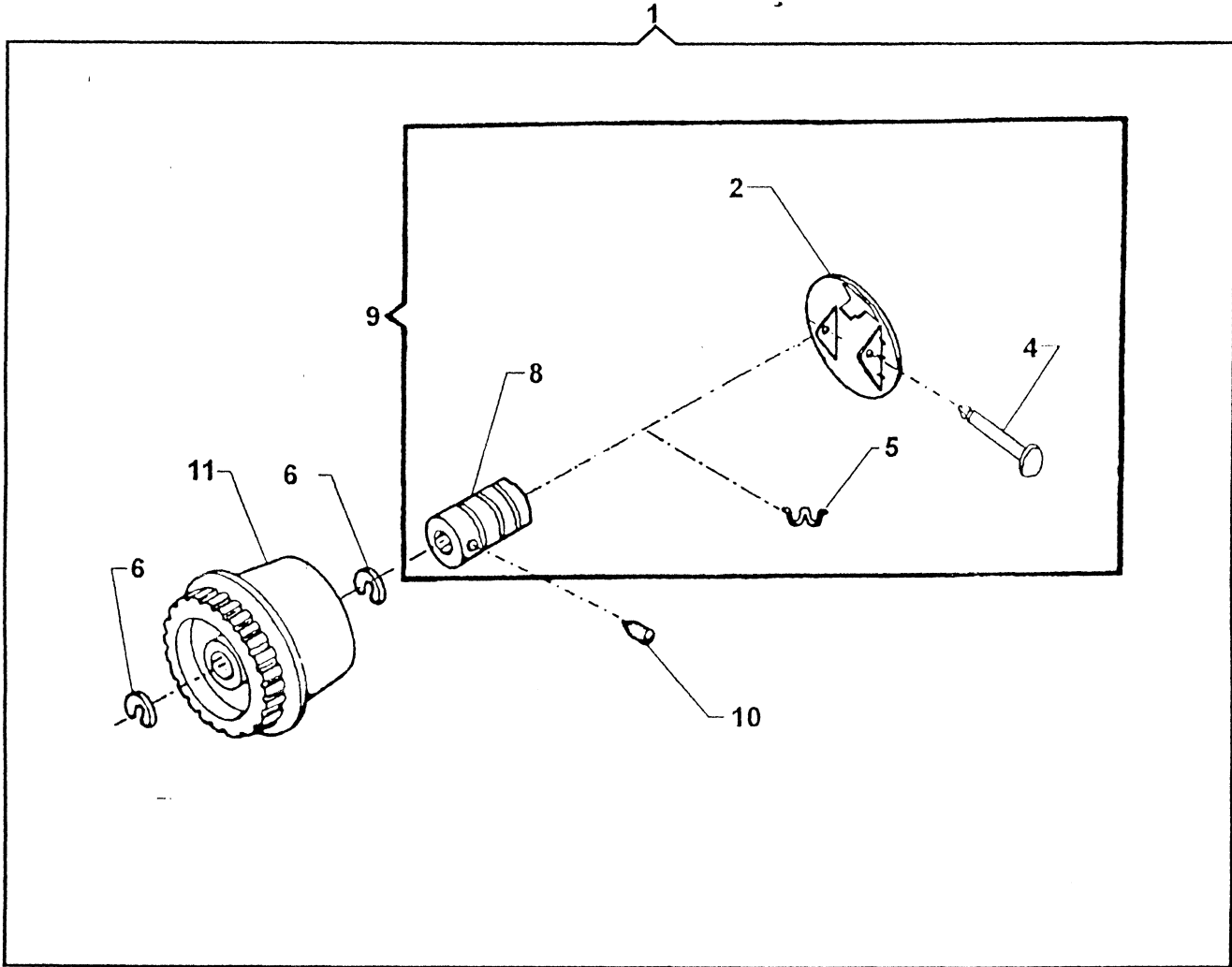


PART LIST  
ARM SHAFT DRIVE

**4 4 4 4 4 4 4 4 4 4 4 4 8 4 4 4**  
**8 8 8 8 8 8 8 8 8 8 8 4 9 9 9**  
**0 1 1 1 1 2 2 2 2 2 3 3 3 1 1 3**  
**2 4 5 7 8 0 2 4 6 8 0 2 5 4 7 0**  
**0**

REF.	PART NBR.	DESCRIPTION																										
01	446384	ARM SHAFT BUSHING (FRONT)	X	X	X	X	X	X	X	X	X	X	X	X	X	X	X	X	X	X	X	X	X	X	X	X		
02	446385	ARM SHAFT BUSHING (FRONT) RETAINING BRACKET	X	X	X	X	X	X	X	X	X	X	X	X	X	X	X	X	X	X	X	X	X	X	X	X	X	
03	113455-001	ARM SHAFT BUSHING (FRONT) RETAINING BRACKET SCREW	X	X	X	X	X	X	X	X	X	X	X	X	X	X	X	X	X	X	X	X	X	X	X	X	X	
04	319764	ARM SHAFT (HORIZONTAL) RETAINING COLLAR WASHER	X	X	X	X	X	X	X	X	X	X	X	X	X	X	X	X	X	X	X	X	X	X	X	X	X	
05	531684	ARM SHAFT COMPLETE	X	X	X	X	X	X	X	X	X	X	X	X	X	X	X	X	X	X	X	X	X	X	X	X	X	
06	354105-833	NEEDLE BAR CRANK POSITION SET SCREW	X	X	X	X	X	X	X	X	X	X	X	X	X	X	X	X	X	X	X	X	X	X	X	X	X	
07	353580	ARM SHAFT (HORIZONTAL) RETAINING COLLAR	X	X	X	X	X	X	X	X	X	X	X	X	X	X	X	X	X	X	X	X	X	X	X	X	X	
08	113500-451	ARM SHAFT (HORIZONTAL) RETAINING COLLAR SET SCREW	X	X	X	X	X	X	X	X	X	X	X	X	X	X	X	X	X	X	X	X	X	X	X	X	X	
09	353272	ARM SHADT (HORIZONTAL) BEVEL GEAR & FEED LIFTING (ECCENTRIC) COMPLETE	X	X	X	X	X	X	X	X	X	X	X	X	X	X	X	X	X	X	X	X	X	X	X	X	X	
10	354813-451	ARM SHAFT (HORIZONTAL) BEVEL GEAR & FEED LIFTING ECCENTRIC SET SCREW	X	X	X	X	X	X	X	X	X	X	X	X	X	X	X	X	X	X	X	X	X	X	X	X	X	
11	353413	ARM SHAFT (HORIZONTAL) BEVEL GEAR & FEED LIFTING ECCENTRIC WASHER (PLASTIC)	X	X	X	X	X	X	X	X	X	X	X	X	X	X	X	X	X	X	X	X	X	X	X	X	X	
12	113455-001	ARM SHAFT BUSHING (REAR) RETAINING BRACKET SCREW	X	X	X	X	X	X	X	X	X	X	X	X	X	X	X	X	X	X	X	X	X	X	X	X	X	
13	353273-002	ARM SHAFT (UPRIGHT) BEVEL GEAR (PLASTIC)	X	X	X	X	X	X	X	X	X	X	X	X	X	X	X	X	X	X	X	X	X	X	X	X	X	
14	354105-833	ARM SHAFT (UPRIGHT) BEVEL GEAR SET SCREW	X	X	X	X	X	X	X	X	X	X	X	X	X	X	X	X	X	X	X	X	X	X	X	X	X	
15	179952-002	ARM SHAFT (UPRIGHT) ASSEMBLY	X	X	X	X	X	X	X	X	X	X	X	X	X	X	X	X	X	X	X	X	X	X	X	X	X	
16	353215	ARM SHAFT (UPRIGHT) RETAINING RING	X	X	X	X	X	X	X	X	X	X	X	X	X	X	X	X	X	X	X	X	X	X	X	X	X	
17	353394	ARM SHAFT (UPRIGHT) RETAINING RING WASHER	X	X	X	X	X	X	X	X	X	X	X	X	X	X	X	X	X	X	X	X	X	X	X	X	X	
18	353438-001	ARM SHAFT (UPRIGHT) BELT DRIVE PULLEY ASSEMBLY COMPLETE	X	X	X	X	X	X	X	X	X	X	X	X	X	X	X	X	X	X	X	X	X	X	X	X	X	
19	356819	ARM SHAFT (UPRIGHT) FELT WASHER	X	X	X	X	X	X	X	X	X	X	X	X	X	X	X	X	X	X	X	X	X	X	X	X	X	
20	354906-451	ARM SHAFT (UPRIGHT) BELT DRIVE PULLEY SET SCREW	X	X	X	X	X	X	X	X	X	X	X	X	X	X	X	X	X	X	X	X	X	X	X	X	X	
21	357461-000	ROTATING HOOK DRIVE BELT TENSION ADJUSTER	X	X	X	X	X	X	X	X	X	X	X	X	X	X	X	X	X	X	X	X	X	X	X	X	X	
22	113453-003	ROTATING HOOK DRIVE BELT TENSIONER SCREW	X	X	X	X	X	X	X	X	X	X	X	X	X	X	X	X	X	X	X	X	X	X	X	X	X	
23	446376	BELT RETAINER (LEFT)	X	X	X	X	X	X	X	X	X	X	X	X	X	X	X	X	X	X	X	X	X	X	X	X	X	
24	113455-001	BELT RETAINER (LEFT) SCREW	X	X	X	X	X	X	X	X	X	X	X	X	X	X	X	X	X	X	X	X	X	X	X	X	X	
25	446237	BELT (ROTATING HOOK DRIVE)	X	X	X	X	X	X	X	X	X	X	X	X	X	X	X	X	X	X	X	X	X	X	X	X	X	
26	319826	ARM SHAFT (UPRIGHT) BELT DRIVEPULLEY WASHER	X	X	X	X	X	X	X	X	X	X	X	X	X	X	X	X	X	X	X	X	X	X	X	X	X	
<b>REF. NEW IN REPLACE OF DATE</b>																												
21		357461-000																										

HAND WHEEL



REV: \_\_\_\_\_  
DATA: DEC/98

**PART LIST  
HAND WHEEL**

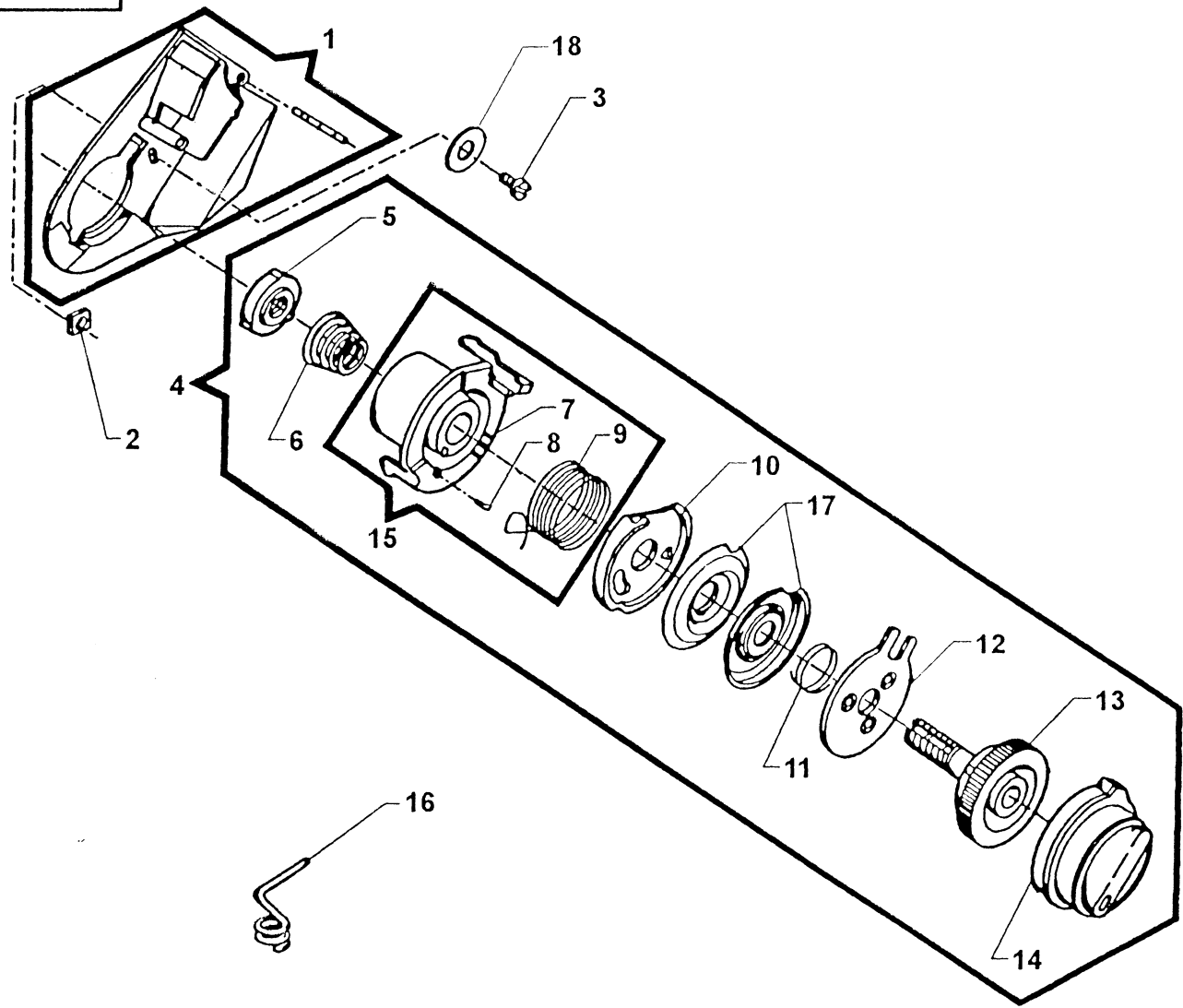
4 4 4 4 4 4 4 4 4 4 4 4 8 4 4 4  
 8 8 8 8 8 8 8 8 8 8 8 4 9 9 9  
 0 1 1 1 1 2 2 2 2 2 3 3 3 1 1 3  
 2 4 5 7 8 0 2 4 6 8 0 2 5 4 7 0  
 0

**REF. PART NBR.**

**DESCRIPTION**

01	357009-451	HAND WHEEL COMPLETE	X	X	X	X	X	X	X	X	X	X	X	X	X	X	X	X	X	X	X	X	X	X	X	X
02	357367-901	HAND WHEEL DISENGAGING CLUTCH ENGAGING PLATE COVER	X	X	X	X	X	X	X	X	X	X	X	X	X	X	X	X	X	X	X	X	X	X	X	X
04	357364	HAND WHEEL DISENGAGING CLUTCH ENGAGING PLATE HINGE PIN	X	X	X	X	X	X	X	X	X	X	X	X	X	X	X	X	X	X	X	X	X	X	X	X
05	357365	HAND WHEEL DISENGAGING CLUTCH ACTUATING SPRING	X	X	X	X	X	X	X	X	X	X	X	X	X	X	X	X	X	X	X	X	X	X	X	X
06	446387	HAND WHEEL RETAINING RING (THREADLE ELECTRIC)	X	X	X	X	X	X	X	X	X	X	X	X	X	X	X	X	X	X	X	X	X	X	X	X
08	357359	HAND WHEEL DISENGAGING CLUTCH BUSHING	X	X	X	X	X	X	X	X	X	X	X	X	X	X	X	X	X	X	X	X	X	X	X	X
09	357368-452	HAND WHEEL DISENGAGING CLUTCH BUSHING COMPLETE	X	X	X	X	X	X	X	X	X	X	X	X	X	X	X	X	X	X	X	X	X	X	X	X
10	354813-451	HAND WHEEL DISENGAGING CLUTCH BUSHING SCREW	X	X	X	X	X	X	X	X	X	X	X	X	X	X	X	X	X	X	X	X	X	X	X	X

TENSION MECHANISM



REV: \_\_\_\_\_  
DATA: DEC/98

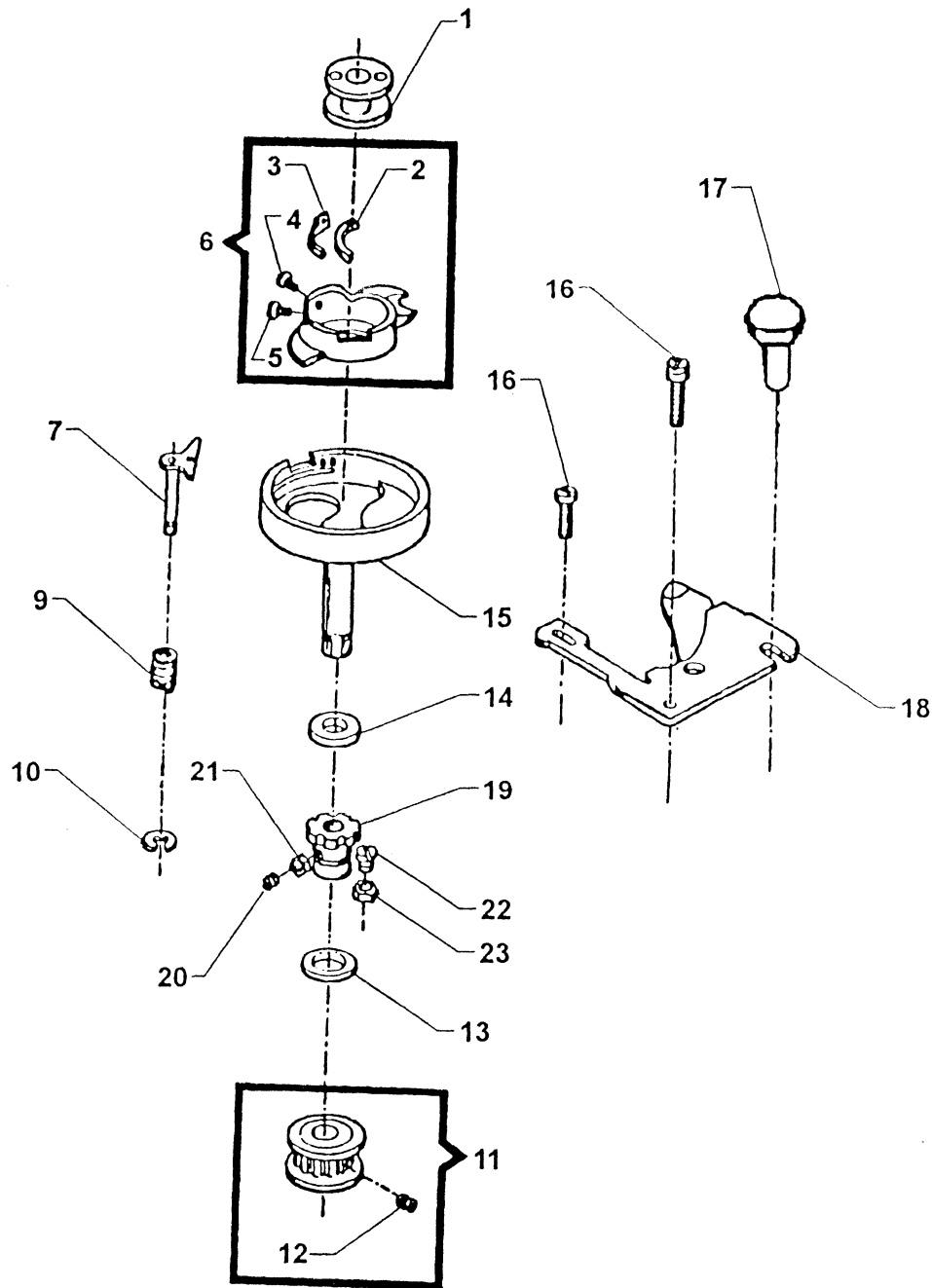
**PART LIST**  
**TENSION MECHANISM**

**4 4 4 4 4 4 4 4 4 4 4 4 8 4 4 4**  
**8 8 8 8 8 8 8 8 8 8 8 8 4 9 9 9**  
**0 1 1 1 1 2 2 2 2 2 3 3 3 1 1 3**  
**2 4 5 7 8 0 2 4 6 8 0 2 5 4 7 0**  
**0**

<b>REF. PART NBR.</b>	<b>DESCRIPTION</b>																			
01	356040-452	TENSION MECHANISM SHROUDER ASSEMBLY	X	X	X	X	X	X	X	X	X	X	X	X	X	X	X	X	X	X
02	514698-451	TENSION MECHANISM SHROUDER SECREW NUT	X	X	X	X	X	X	X	X	X	X	X	X	X	X	X	X	X	X
03	141808-457	TENSION MECHANISM SHROUDER SCREW	X	X	X	X	X	X	X	X	X	X	X	X	X	X	X	X	X	X
04	356088-XXX	TENSION MECHANISM ASSEMBLY	-	-	-	-	-	-	-	-	-	-	-	-	-	-	-	-	-	-
05	356095	TENSION STUD NUT	X	X	X	X	X	X	X	X	X	X	X	X	X	X	X	X	X	X
06	356096	TENSION SPRING	X	X	X	X	X	X	X	X	X	X	X	X	X	X	X	X	X	X
07	356089	TENSION MECHANISM SUPPORT	X	X	X	X	X	X	X	X	X	X	X	X	X	X	X	X	X	X
08	356246-900	TENSION MECHANISM SUPPORT PIN	X	X	X	X	X	X	X	X	X	X	X	X	X	X	X	X	X	X
09	356097	THREAD TAKE-UP SPRING	X	X	X	X	X	X	X	X	X	X	X	X	X	X	X	X	X	X
10	356091	THREAD TAKE-UP SPRING THREAD GUARD	X	X	X	X	X	X	X	X	X	X	X	X	X	X	X	X	X	X
11	356216	TENSION DISC PRESSURE PLATE SPRING	X	X	X	X	X	X	X	X	X	X	X	X	X	X	X	X	X	X
12	356177	TENSION DISC PRESSURE PLATE	X	X	X	X	X	X	X	X	X	X	X	X	X	X	X	X	X	X
13	356092-451	TENSION INDICATOR WITH STUD	X	X	X	X	X	X	X	X	X	X	X	X	X	X	X	X	X	X
14	356090-XXX	TENSION INDICATOR DIAL	-	-	-	-	-	-	-	-	-	-	-	-	-	-	-	-	-	-
15	356245	TENSION MECHANISM SUPPORT ASSEMBLY	X	X	X	X	X	X	X	X	X	X	X	X	X	X	X	X	X	X
16	445784	THREAD GUIDE (LOWER)	X	X	X	X	X	X	X	X	X	X	X	X	X	X	X	X	X	X
17	356094	TENSION DISC	X	X	X	X	X	X	X	X	X	X	X	X	X	X	X	X	X	X
18	356443	TENSION MECHANISM SHROUDER SCREW WASHER	X	X	X	X	X	X	X	X	X	X	X	X	X	X	X	X	X	X

**NOTE:** PLEASE WHEN NEED THE PART (-----XXX), INDICATE THE MACHINE MODEL WHERE WILL BE USED.

HOOK SYSTEM



REV: \_\_\_\_\_  
DATA: DEC/98

**PART LIST  
HOOK SYSTEM**

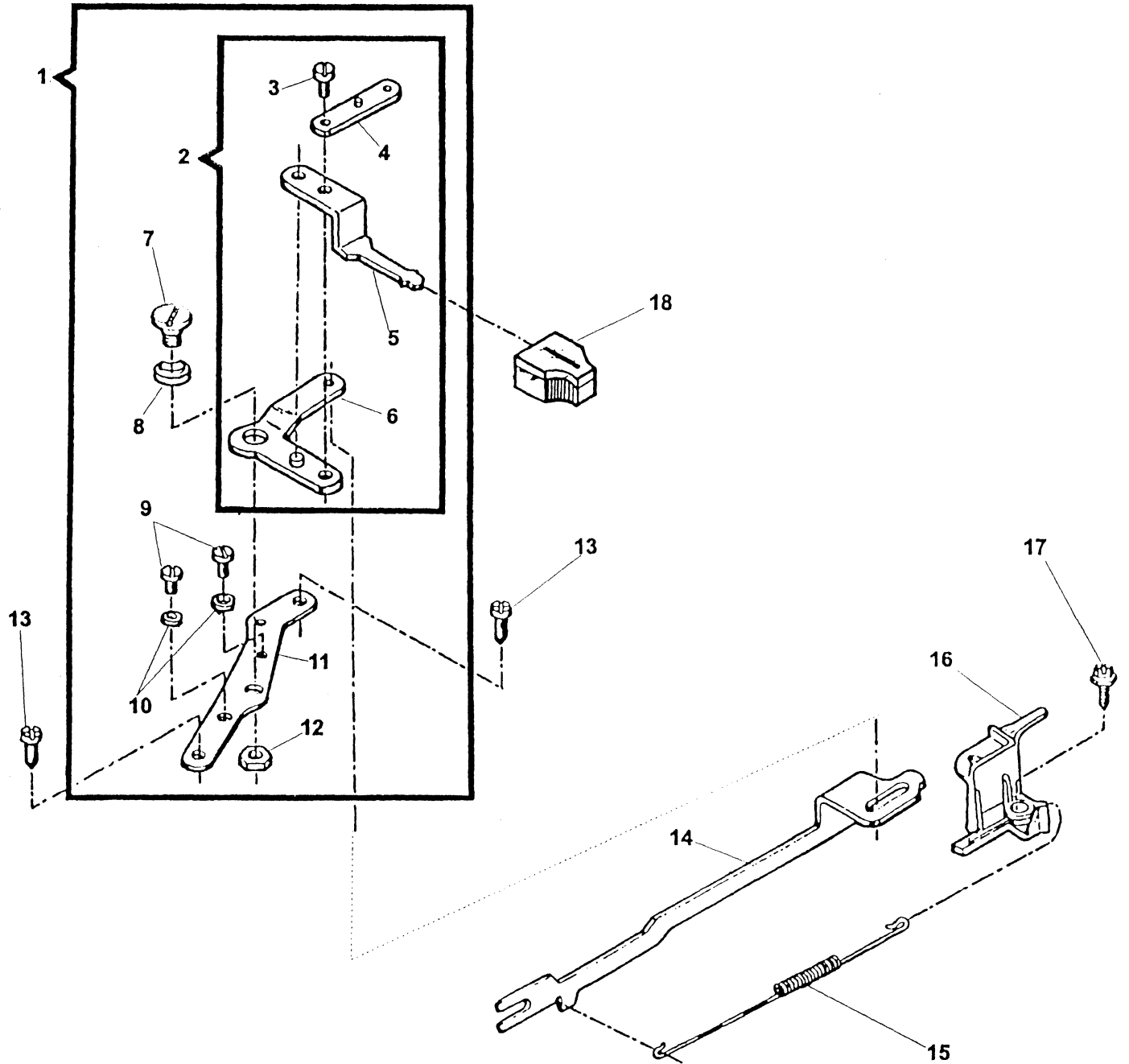
**4 4 4 4 4 4 4 4 4 4 4 4 8 4 4 4  
8 8 8 8 8 8 8 8 8 8 8 8 4 9 9 9  
0 1 1 1 1 2 2 2 2 2 3 3 3 1 1 3  
2 4 5 7 8 0 2 4 6 8 0 2 5 4 7 0  
0**

**REF. PART NBR.**

**DESCRIPTION**

01	172336	ROTATING HOOK BOBBIN (PLASTIC)	X	X	X	X	X	X	X	X	X	X	X	X	X	X
02	356490-451	ROTATING HOOK BOBBIN CASE TENSION SPRING SCREW	X	X	X	X	X	X	X	X	X	X	X	X	X	X
03	314715	ROTATING HOOK BOBBIN CASE TENSION SPRING	X	X	X	X	X	X	X	X	X	X	X	X	X	X
04	355254-451	ROTATING HOOK BOBBIN CASE TENSION REGULATING SCREW	X	X	X	X	X	X	X	X	X	X	X	X	X	X
05	139975-452	ROTATING HOOK BOBBIN CASE TENSION SPRING SEGMENT SCREW	X	X	X	X	X	X	X	X	X	X	X	X	X	X
06	421325	ROTATING HOOK BOBBIN CASE	X	X	X	X	X	X	X	X	X	X	X	X	X	X
07	353511	ROTATING HOOK BOBBIN CASE RETAINING PLATE ASSEMBLY	X	X	X	X	X	X	X	X	X	X	X	X	X	X
09	44892	ROTATING HOOK BOBBIN CASE RETAINING PLATE STUD SPRING	X	X	X	X	X	X	X	X	X	X	X	X	X	X
10	446417	ROTATING HOOK BOBBIN CASE RETAINING PLATE RETAINING RING	X	X	X	X	X	X	X	X	X	X	X	X	X	X
11	446235	ROTATING HOOK BELT DRIVE PULLEY	X	X	X	X	X	X	X	X	X	X	X	X	X	X
12	141803-451	ROTATING HOOK BELT DRIVE PULLEY SCREW	X	X	X	X	X	X	X	X	X	X	X	X	X	X
13	382861-906	ROTATING HOOK BELT DRIVE PULLEY WASHER	X	X	X	X	X	X	X	X	X	X	X	X	X	X
14	353453	ROTATING HOOK WEAR WASHER	X	X	X	X	X	X	X	X	X	X	X	X	X	X
15	353366	ROTATING HOOK COMPLETE	X	X	X	X	X	X	X	X	X	X	X	X	X	X
16	354917-451	ROTATING HOOK BOBBIN CASE POSITION PLATE SCREW	X	X	X	X	X	X	X	X	X	X	X	X	X	X
17	357349-451	ROTATING HOOK BOBBIN CASE RETAINING PLATE (ADJUSTABLE & POSITION PLATE) STUD	X	X	X	X	X	X	X	X	X	X	X	X	X	X
18	44873-001	ROTATING HOOK BOBBIN CASE POSITION PLATE	X	X	X	X	X	X	X	X	X	X	X	X	X	X
19	353410-900	ROTATING HOOK BUSHING	X	X	X	X	X	X	X	X	X	X	X	X	X	X
20	141938-833	ROTATING HOOK BUSHING SET SCREW	X	X	X	X	X	X	X	X	X	X	X	X	X	X
21	353367-451	ROTATING HOOK BUSHING SET SCREW NUT	X	X	X	X	X	X	X	X	X	X	X	X	X	X
22	141844-451	ROTATING HOOK BUSHING ADJUSTING SCREW	X	X	X	X	X	X	X	X	X	X	X	X	X	X
23	618638-005	ROTATING HOOK BUSHING ADJUSTING SCREW NUT	X	X	X	X	X	X	X	X	X	X	X	X	X	X

BIGHT AMPLITUDE



REV: \_\_\_\_\_  
DATA: DEC/98



**PART LIST**  
**BIGHT AMPLITUDE**

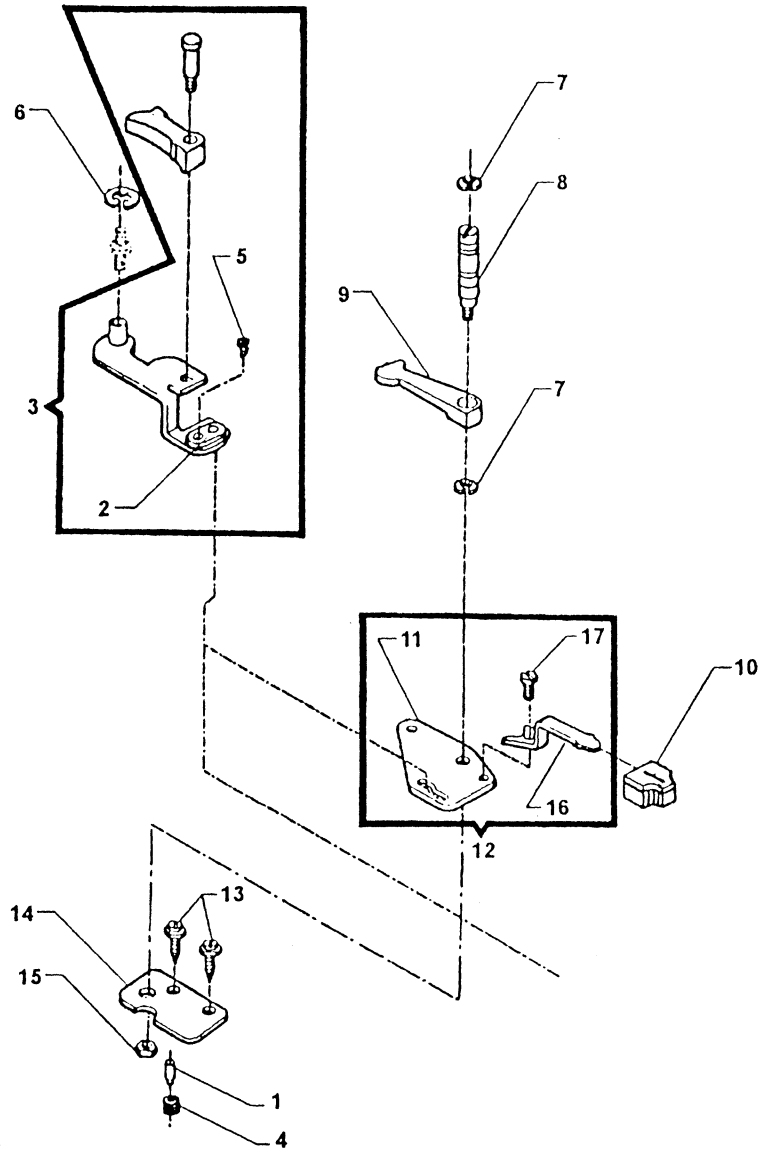
4 4 4 4 4 4 4 4 4 4 4 4 8 4 4 4  
 8 8 8 8 8 8 8 8 8 8 8 8 4 9 9 9  
 0 1 1 1 1 2 2 2 2 2 3 3 3 1 1 3  
 2 4 5 7 8 0 2 4 6 8 0 2 5 4 7 0  
 0

**REF. PART NBR.**

**DESCRIPTION**

01	446396	BIGHT AMPLITUDE CONTROL LEVER MOUNTING BRACKET COMPLETE	X	X	-	-	-	-	-	-	-	-	-	-	-	X	-	-
01	179893	BIGHT AMPLITUDE CONTROL LEVER MOUNTING BRACKET COMPLETE	-	X	X	-	X	X	X	X	X	X	X	X	X	-	X	X
02	446342	BIGHT AMPLITUDE CONTROL LEVER SUB-ASSEMBLY	-	-	X	X	X	X	X	X	X	X	X	X	X	-	X	X
02	446395	BIGHT AMPLITUDE CONTROL LEVER SUB-ASSEMBLY	X	X	-	-	-	-	-	-	-	-	-	-	-	X	-	-
03	139866-451	BIGHT AMPLITUDE CONTROL LEVER SCREW	-	-	X	X	X	X	X	X	X	X	X	X	X	-	X	X
03	141913-451	BIGHT AMPLITUDE CONTROL LEVER SCREW	X	X	-	-	-	-	-	-	-	-	-	-	-	X	-	-
04	44556	BUTTONHOLER BIGHT CONTROL CAM FOLLOWER LEVER LINK (LEFT)	X	X	X	X	X	X	X	X	X	X	X	X	X	X	X	X
05	446394	BIGHT AMPLITUDE CONTROL LEVER	X	X	X	X	X	X	X	X	X	X	X	X	X	X	X	X
06	37246	BIGHT AMPLITUDE CONTROL LEVER LINK	X	X	X	X	X	X	X	X	X	X	X	X	X	X	X	X
07	354825-451	BIGHT AMPLITUDE CONTROL LEVER LINK HINGE SCREW	X	X	X	X	X	X	X	X	X	X	X	X	X	X	X	X
08	49204	BIGHT AMPLITUDE CONTROL LEVER LINK HINGE SCREW FRICTION WASHER	X	X	X	X	X	X	X	X	X	X	X	X	X	X	X	X
09	141913-451	BIGHT AMPLITUDE CONTROL LEVER LINK STOP SCREW	X	X	X	X	X	X	X	X	X	X	X	X	X	X	X	X
10	446904	BIGHT AMPLITUDE CONTROL LEVER LINK STOP	X	X	X	X	X	X	X	X	X	X	X	X	X	X	X	X
11	531793	BIGHT AMPLITUDE CONTROL LEVER MOUNTING BRACKET	X	X	X	X	X	X	X	X	X	X	X	X	X	X	X	X
12	54591-451	BIGHT AMPLITUDE CONTROL LEVER LINK HINGE SCREW NUT	X	X	X	X	X	X	X	X	X	X	X	X	X	X	X	X
13	113455-001	BIGHT AMPLITUDE CONTROL LEVER MOUNTING BRACKET SCREW	X	X	X	X	X	X	X	X	X	X	X	X	X	X	X	X
14	37933-002	NEEDLE BAR DRIVING ARM	X	X	X	X	X	X	X	X	X	X	X	X	X	X	X	X
15	37942	NEEDLE BAR DRIVING ARM TENSION SPRING	X	X	X	X	X	X	X	X	X	X	X	X	X	X	X	X
16	445780	LIGHT LEAD SHIELD & NEEDLE BAR DRIVING ARM TENSION SPRING MOUTING PLATE	X	X	X	X	X	X	X	X	X	X	X	X	X	X	X	X
17	113455-001	LIGHT LEAD SHIELD & NEEDLE BAR DRIVING ARM TENSION SPRING MOUTING PLATE SCREW	X	X	X	X	X	X	X	X	X	X	X	X	X	X	X	X
18	356961-451	BIGHT AMPLITUDE CONTROL LEVER KNOB (SNOW WHITE)	X	X	X	X	X	X	X	X	X	X	X	X	X	X	X	X

NEEDLE POSITION



REV.: \_\_\_\_\_  
DATA: DEC/98

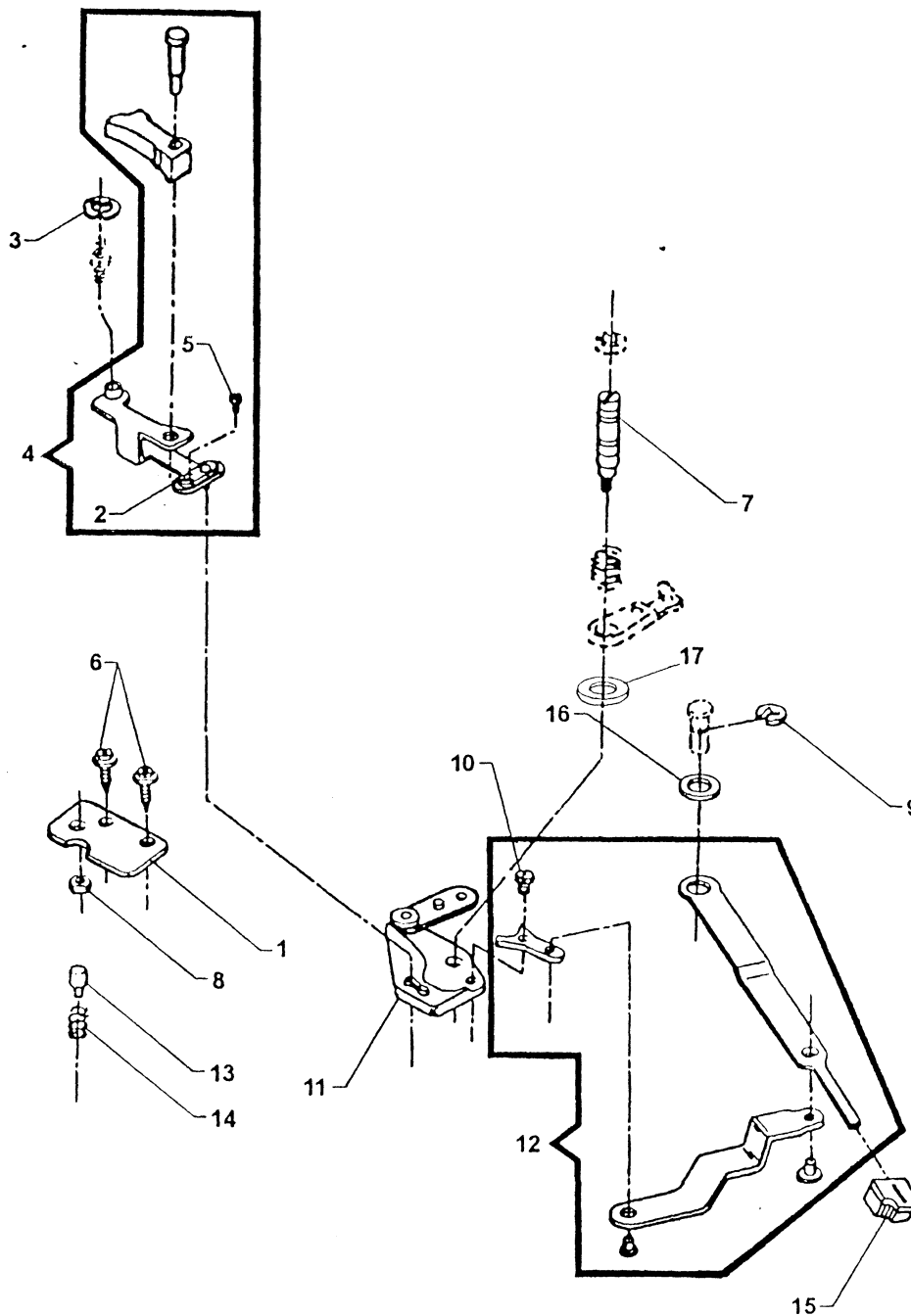
**PART LIST  
NEEDLE POSITION**

4 4 4 4 4 4 4 4 4 4 4 4 4 8 4 4 4  
 8 8 8 8 8 8 8 8 8 8 8 8 8 4 9 9 9  
 0 1 1 1 1 2 2 2 2 2 3 3 3 1 1 3  
 2 4 5 7 8 0 2 4 6 8 0 2 5 4 7 0  
 0

**REF. PART NBR. DESCRIPTION**

01	356228	NEEDLE POSITION SELECTOR LEVER BRACKET POSITIONING PIN	X	X	X	X	X	X	X	X	X	X	X	X	X	X	X
02	531736	NEEDLE POSITION SELECTOR BRACKET FOLLOWER STUD ARM ASSEMBLY	X	X	X	X	X	X	X	X	X	X	X	X	X	X	X
03	356636	NEEDLE BAR DRIVING ARM SLIDE BRACKET COMPLETE	X	X	X	-	-	-	-	-	-	-	-	X	-	-	-
04	444800	NEEDLE POSITION SELECTOR LEVER BRACKET POSITIONING PIN SPRING	X	X	X	X	X	X	X	X	X	X	X	X	X	X	X
05	141913-451	NEEDLE POSITION LEVER BRACKET STUD ARM SET SCREW	X	X	X	X	X	X	X	X	X	X	X	X	X	X	X
06	445721	NEEDLE BAR DRIVING ARM SLIDE BRACKET RETAINING RING	X	X	X	X	X	X	X	X	X	X	X	X	X	X	X
07	44371	DISC FOLLOWER STUD RETAINING(UPPER & LOWER)	X	X	X	X	X	X	X	X	X	X	X	X	X	X	X
08	446023	DISC FOLLOWER STUD	X	X	X	-	-	-	-	-	-	-	-	X	-	-	-
09	445646	DISC FOLLOWER	X	X	X	-	-	-	-	-	-	-	-	X	-	-	-
10	356961-451	NEEDLE POSITION SELECTOR LEVER KNOB (PLASTIC) (SNOW WHITE)	X	X	X	X	X	X	X	X	X	X	X	X	X	X	X
11	353547	NEEDLE POSITION SELECTOR LEVER BRACKET	X	X	-	-	-	-	-	-	-	-	-	X	-	-	-
11	44628	NEEDLE POSITION SELECTOR LEVER BRACKET ASSEMBLY	X	-	-	-	-	-	-	-	-	-	-	-	-	-	-
12	446399	NEEDLE POSITION SELECTOR LEVER ASSEMBLY	X	X	-	-	-	-	-	-	-	-	-	X	-	-	-
12	446400	NEEDLE POSITION SELECTOR LEVER ASSEMBLY	-	-	X	-	-	-	-	-	-	-	-	-	-	-	-
13	113455-001	NEEDLE POSITION SELECTOR LEVER MOUNTING PLATE SCREW	X	X	X	X	X	X	X	X	X	X	X	X	X	X	X
14	448401	NEEDLE POSITION SELECTOR LEVER MOUNTING PLATE	X	X	X	X	X	X	X	X	X	X	X	X	X	X	X
15	54591-451	DISC FOLLOWER STUD NUT	X	X	X	X	X	X	X	X	X	X	X	X	X	X	X
16	446397	NEEDLE POSITION SELECTOR LEVER	X	X	X	-	-	-	-	-	-	-	-	X	-	-	-
17	141913-451	NEEDLE POSITION SELECTOR LEVER SCREW	X	X	X	-	-	-	-	-	-	-	-	X	-	-	-

NEEDLE POSITION



REV: \_\_\_\_\_  
DATA: DEC/98

**PART LIST  
NEEDLE POSITION**

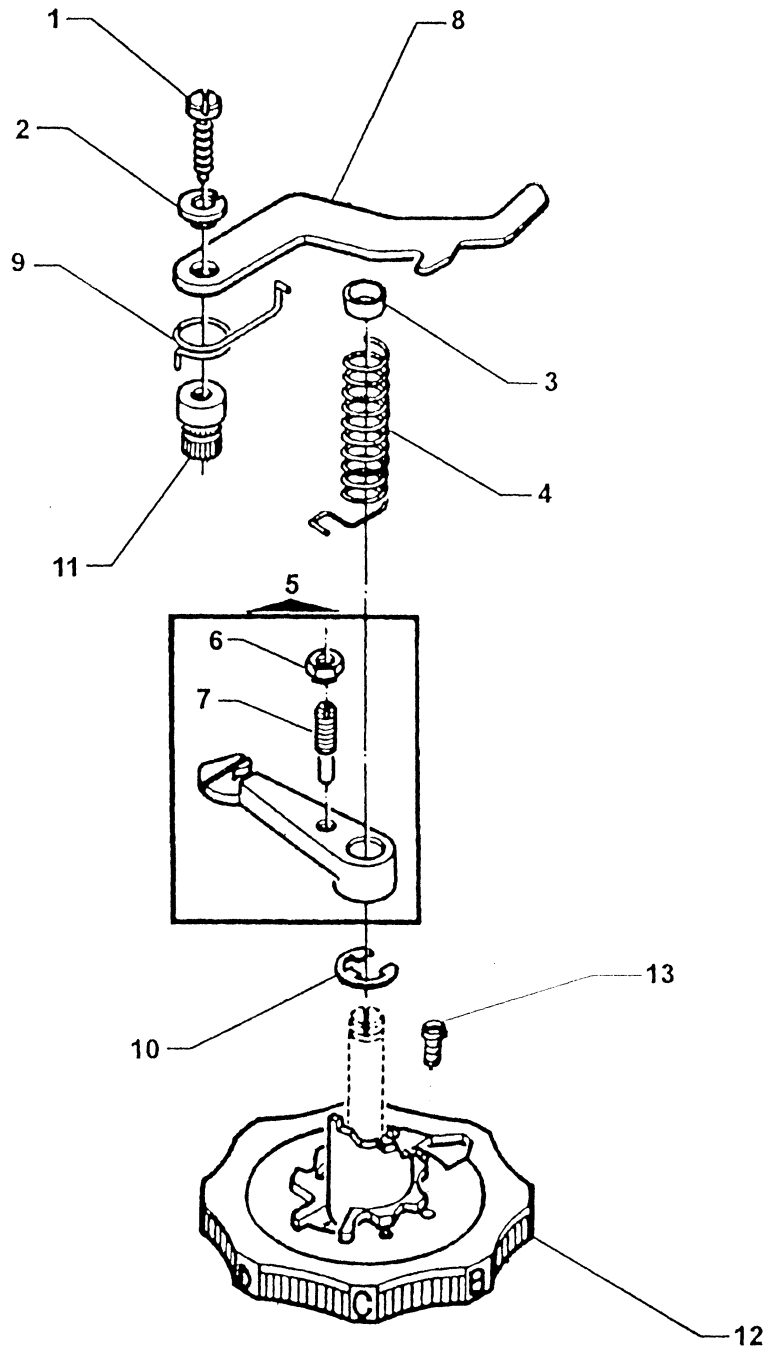
4 4 4 4 4 4 4 4 4 4 4 4 8 4 4 4  
 8 8 8 8 8 8 8 8 8 8 8 8 4 9 9 9  
 0 1 1 1 1 2 2 2 2 2 3 3 3 1 1 3  
 2 4 5 7 8 0 2 4 6 8 0 2 5 4 7 0  
 0

**REF. PART NBR.**

**DESCRIPTION**

01	446401	NEEDLE POSITION SELECTOR LEVER ADJUSTING PLATE	X	X	X	X	X	X	X	X	X	X	X	X	X	X	X	X
02	531736	NEEDLE POSITION SELECTOR LEVER BRACKET FOLLOWER STUD ARM ASSEMBLY	X	X	X	X	X	X	X	X	X	X	X	X	X	X	X	X
03	445721	NEEDLE BAR DRIVING ARM SLIDE BRACKET RETAINING RING	X	X	X	X	X	X	X	X	X	X	X	X	X	X	X	X
04	356735-001	NEEDLE BAR DRIVING ARM SLIDE BRACKET COMPLETE	-	-	-	X	X	X	X	X	X	X	X	X	-	X	X	X
05	141913-451	NEEDLE POSITION LEVER BRACKET STUD SET SCREW	X	X	X	X	X	X	X	X	X	X	X	X	X	X	X	X
06	113455-001	NEEDLE POSITION SELECTOR LEVER ADJUSTING PLATE SCREW	X	X	X	X	X	X	X	X	X	X	X	X	X	X	X	X
07	357089	DISC FOLLOWER STUD	-	-	-	X	X	X	X	X	X	X	X	X	-	X	X	X
08	54591-451	NEEDLE POSITION SELECTOR LEVER ADJUSTING PLATE SCREW NUT	X	X	X	X	X	X	X	X	X	X	X	X	X	X	X	X
09	445486	NEEDLE POSITION SELECTOR LEVER RETAINING RING	-	-	-	X	X	X	X	X	X	X	X	X	-	X	X	X
10	141913-451	NEEDLE POSITION SELECTOR LEVER SCREW	-	-	-	X	X	X	X	X	X	X	X	X	-	X	X	X
11	44628	NEEDLE POSITION SELECTOR LEVER BRACKET ASSEMBLY	-	-	-	X	X	X	X	X	X	X	X	X	-	X	X	X
12	356744	NEEDLE POSITION SELECTOR LEVER COMPLETE	-	-	-	X	X	X	X	X	X	X	X	X	-	X	X	X
13	356228	NEEDLE POSITION SELECTOR LEVER BRACKET POSITIONING PIN	X	X	X	X	X	X	X	X	X	X	X	X	X	X	X	X
14	444800	NEEDLE POSITION SELECTOR LEVER BRACKET POSITIONING PIN SPRING	X	X	X	X	X	X	X	X	X	X	X	X	X	X	X	X
15	356961-451	NEEDLE POSITION SELECTOR LEVER KNOB (PLASTIC) (SNOW WHITE)	X	X	X	X	X	X	X	X	X	X	X	X	X	X	X	X
16	49204	NEEDLE POSITION SELECTOR LEVER HINGE STUD WASHER	-	-	-	X	X	X	X	X	X	X	X	X	-	X	X	X
17	353585	DISC FOLLOWER STUD COLLAR	-	-	-	X	X	X	X	X	X	X	X	X	-	X	X	X

PATTERN SELECTOR



REV: \_\_\_\_\_  
DATA: DEC/98

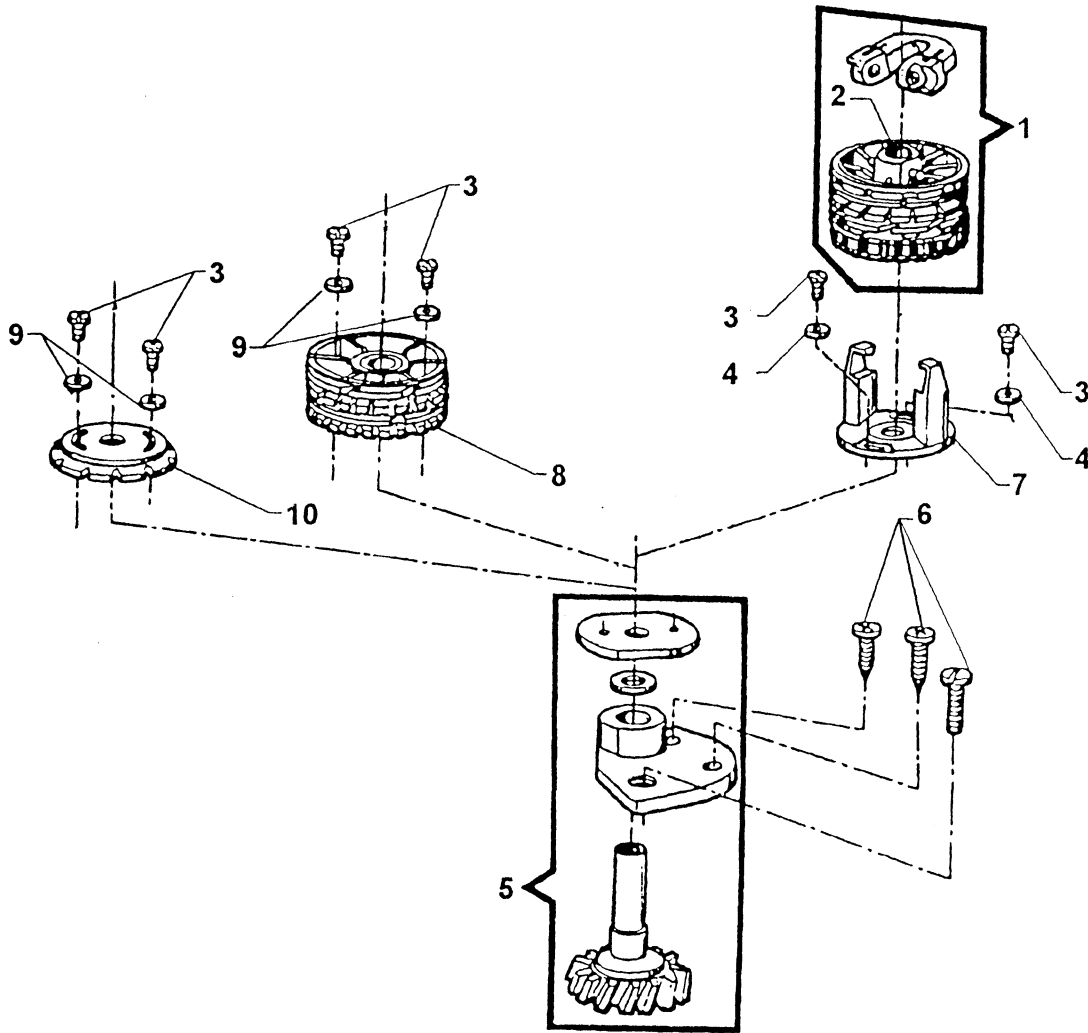
**PART LIST  
PATTERN SELECTOR**

4 4 4 4 4 4 4 4 4 4 4 4 8 4 4 4  
 8 9 8 8 8 8 8 8 8 8 8 4 9 9 9  
 0 1 1 1 1 2 2 2 2 2 3 3 3 1 1 3  
 2 4 5 7 8 0 2 4 6 8 0 2 5 4 7 0  
 0

REF. PART NBR.	DESCRIPTION																	
01 354826-451	DISC FOLLOWER DISENGAGING LEVER SCREW	-	-	-	X	X	X	X	X	X	X	X	X	X	X	-	X	X
02 356751	DISC FOLLOWER DISENGAGING LEVER BUSHING	-	-	-	X	X	X	X	X	X	X	X	X	X	X	-	X	X
03 353548	DISC FOLLOWER STUD WASHER	-	-	-	X	X	X	X	X	X	X	X	X	X	X	-	X	X
04 356768	DISC FOLLOWER SPRING	-	-	-	X	X	X	X	X	X	X	X	X	X	X	-	X	X
05 356770	DISC FOLLOWER COMPLETE	-	-	-	X	X	X	X	X	X	X	X	X	X	X	-	X	X
06 531699-451	DISC FOLLOWER ADJUSTING SCREW STUD NUT	-	-	-	X	X	X	X	X	X	X	X	X	X	X	-	X	X
07 445341	DISC FOLLOWER ADJUSTING SCREW STUD	-	-	-	X	X	X	X	X	X	X	X	X	X	X	-	X	X
08 356750	DISC FOLLOWER DISENGAGING LEVER	-	-	-	X	X	X	X	X	X	X	X	X	X	X	-	X	X
09 356752	DISC FOLLOWER DISENGAGING LEVER SPRING	-	-	-	X	X	X	X	X	X	X	X	X	X	X	-	X	X
10 603908-001	DISC SELECTOR CAM RETAINING RING	-	-	-	X	X	X	X	X	X	X	X	X	X	X	-	X	X
11 357000	DISC FOLLOWER DISENGAGING LEVER STUD	-	-	-	X	X	X	X	X	X	X	X	X	X	X	-	X	X
12 356749-XXX	PATTERN SELECTOR CAM/DIAL	-	-	-	-	-	-	-	-	-	-	-	-	-	-	-	-	-
13 355247-451	PATTERN SELECTOR CAM POSITIONER SCREW	-	-	-	X	X	X	-	X	X	X	-	-	-	-	-	X	-

**NOTE:** PLEASE WHEN NEED THE PART NUMBER(-----XXX), INDICATE THE MACHINE MODEL WHERE WILL BE USED.

CAM STACK



REV.: \_\_\_\_\_  
DATA: DEC/98



**PART LIST  
CAM STACK**

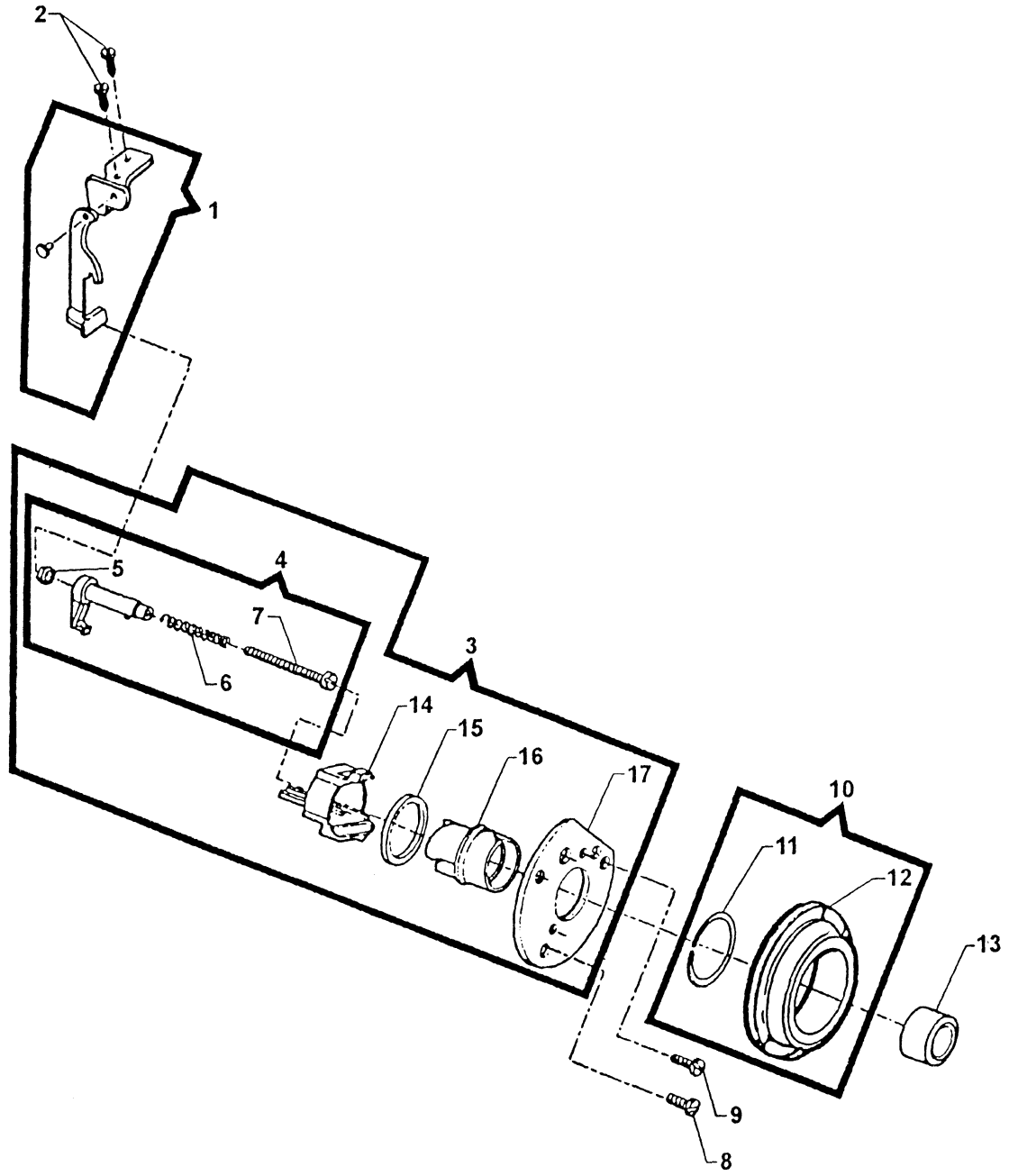
4 4 4 4 4 4 4 4 4 4 4 4 8 4 4 4  
 8 8 8 8 8 8 8 8 8 8 8 8 4 9 9 9  
 0 1 1 1 1 2 2 2 2 2 3 3 3 1 1 3  
 2 4 5 7 8 0 2 4 6 8 0 2 5 4 7 0  
 0

**REF. PART NBR.**

**DESCRIPTION**

01	357016	DISC STACK ASSEMBLY	-	-	-	-	-	-	-	-	-	X	X	X	X	X	X	-	-	X
02	356969	DISC STACK (PLASTIC)	-	-	-	-	-	-	-	-	-	X	X	X	X	X	X	-	-	X
03	141920-451	DISC STACK PLATE SCREW	-	-	-	X	X	X	X	X	X	X	X	X	X	X	X	-	X	X
04	356830-003	DISC STACK PLATE SCREW WASHER	-	-	X	X	X	X	X	X	X	X	X	X	X	X	X	-	X	X
05	356982	DISC DRIVING GEAR SHAFT MOUNTING PLATE ASSEMBLY	-	-	X	X	X	X	X	X	X	X	X	X	X	X	X	-	X	X
05	446421-930	DISC DRIVING GEAR SHAFT MOUNTING PLATE ASSEMBLY	X	X	-	-	-	-	-	-	-	-	-	-	-	-	-	X	-	-
06	113455-012	DISC DRIVING GEAR SHAFT MOUNTING PLATE SCREW	X	X	X	X	X	X	X	X	X	X	X	X	X	X	X	X	X	X
07	356971	DISC DRIVING PLATE	-	-	-	-	-	-	-	-	X	X	X	X	X	X	-	-	X	
08	356995	DISC STACK (PLASTIC)	-	-	-	X	X	X	X	-	-	-	-	-	-	-	-	X	-	
09	446138	DISC STACK POSITIONING SCREW WASHER	X	X	-	-	-	-	-	-	-	-	-	-	-	-	-	X	-	
10	356999	DISC STACK (PLASTIC)	-	X	X	-	-	-	-	-	-	-	-	-	-	-	-	-	-	
10	445762	DISC STACK (PLASTIC)	X	-	-	-	-	-	-	-	-	-	-	-	-	-	-	X	-	

FEED REGULATOR CAM



REV: \_\_\_\_\_  
DATA: DEC/98

**PART LIST**  
**FEED REGULATOR CAM**

4 4 4 4 4 4 4 4 4 4 4 4 8 4 4 4  
 8 8 8 8 8 8 8 8 8 8 8 8 4 9 9 9  
 0 1 1 1 1 2 2 2 2 2 3 3 3 1 1 3  
 2 4 5 7 8 0 2 4 6 8 0 2 5 4 7 0  
 0

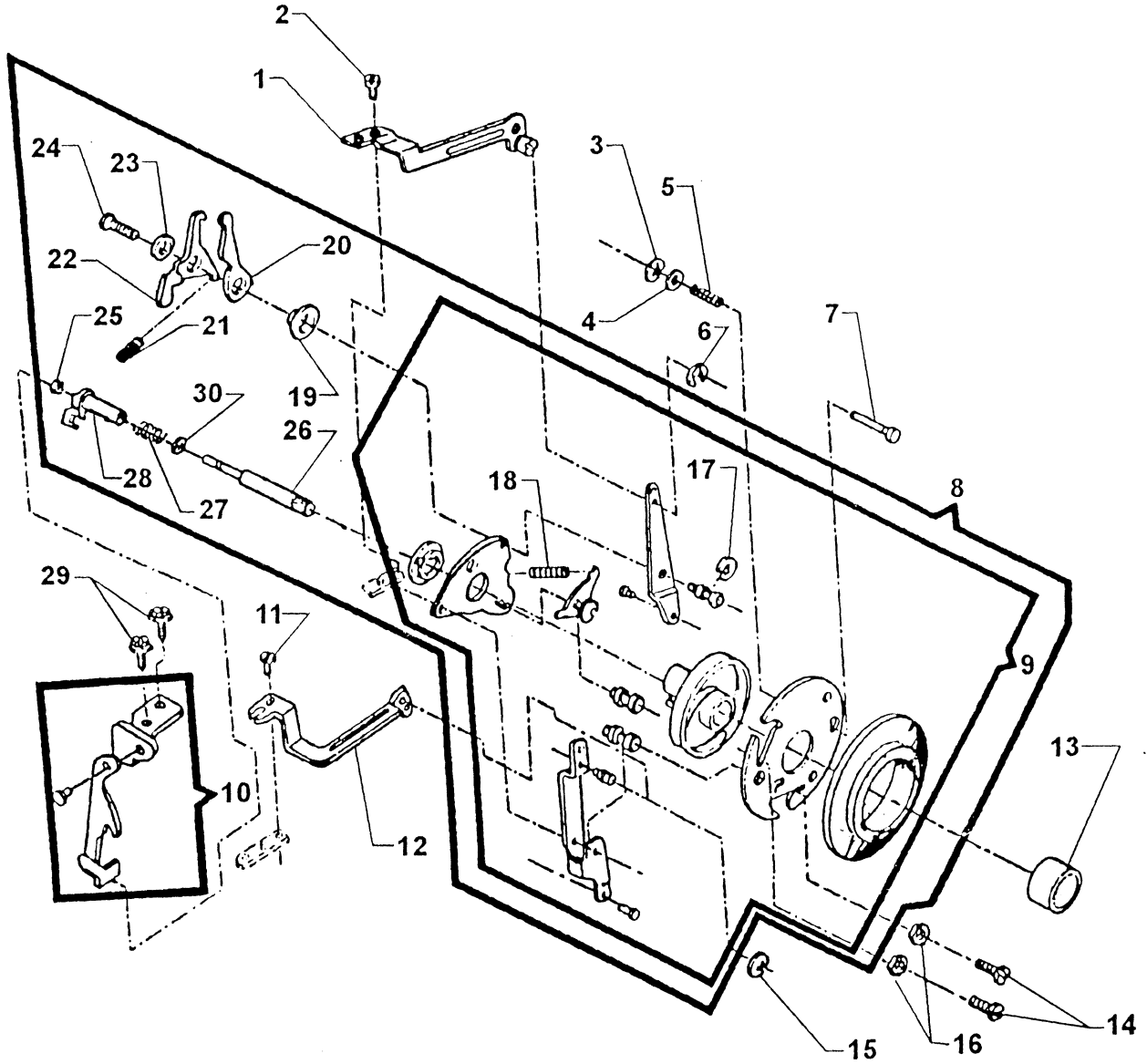
**REF.PART NBR.**

**DESCRIPTION**

01	353304	FEED REGULATOR CONTROL ARM ASSEMBLY	X	X	X	X	X	X	X	X	X	X	X	X	X	X	X	X
02	113455-001	FEED REGULATOR CONTROL DIAL MOUTING BRACKET SCREW	X	X	X	X	X	X	X	X	X	X	X	X	X	X	X	X
03	353478	FEED REGULATOR CAM COMPLETE	X	X	-	-	-	-	-	-	-	-	-	-	-	X	-	-
04	356397	FEED REGULATOR CAM FOLLOWER	X	X	-	-	-	-	-	-	-	-	-	-	-	X	-	-
05	618638-005	FEED REGULAOR CAM FOLLOWER POSITIONING SPRING NUT	X	X	X	X	X	X	X	X	X	X	X	X	X	X	X	X
06	44892	FEED REGULATOR CAM FOLLOWER POSITIONING SPRING	X	X	X	X	X	X	X	X	X	X	X	X	X	X	X	X
07	354975-451	FEED REGULATOR CAM FOLLOWER POSITIONING SCREW	X	X	X	X	X	X	X	X	X	X	X	X	X	X	X	X
08	531806-451	FEED REGULATOR MOUTING PLATE SCREW (RIGHT)	X	X	-	-	-	-	-	-	-	-	-	-	-	X	-	-
09	531807-451	FEED REGULATOR MPUTING PLATE SCREW (LEFT)	X	X	-	-	-	-	-	-	-	-	-	-	-	X	-	-
10	356998-XXX	FEED REGULATOR CONTROL DIAL ASSEMBLY	-	X	-	-	-	-	-	-	-	-	-	-	-	-	-	-
11	445461	FEED REGULATOR CONTROL DIAL RETAINING RING	X	X	-	-	-	-	-	-	-	-	-	-	-	X	-	-
12	356997-451	FEED REGULATOR CONTROL DIAL	X	X	-	-	-	-	-	-	-	-	-	-	-	X	-	-
13	356115-XXX	FEED REGULATOR POSITIONING PIN KNOB	-	-	-	-	-	-	-	-	-	-	-	-	-	-	-	-
14	446284	FEED REGULATOR MOUTING PLATE	X	X	-	-	-	-	-	-	-	-	-	-	-	X	-	-
15	446282	FEED REGULATOR FRICTION WASHER	X	X	-	-	-	-	-	-	-	-	-	-	-	X	-	-
16	353477	FEED REGULATOR CAM	X	X	-	-	-	-	-	-	-	-	-	-	-	X	-	-
17	446283	FEED REGULATOR MECHANISM MOUTING PLATE	X	X	-	-	-	-	-	-	-	-	-	-	-	X	-	-

**NOTE:** PLEASE WHEN NEED THE PART NUMBER(-----XXX), INDICATE MACHINE MODEL WHERE WILL BE USED.

# BUTTONHOLER & FEED REGULATOR CAM



REV: \_\_\_\_\_  
DATA: DEC/98

**PART LIST**  
**BUTTONHOLER & FEED REGULATOR CAM**

**4 4 4 4 4 4 4 4 4 4 4 4 8 4 4 4**  
**8 8 8 8 8 8 8 8 8 8 8 8 4 9 9 9**  
**0 1 1 1 1 2 2 2 2 2 3 3 3 1 1 3**  
**2 4 5 7 8 0 2 4 6 8 0 2 5 4 7 0**  
**0**

REF.	PART NBR.	DESCRIPTION																			
01	353536	BUTTONHOLER NEEDLE POSITION CAM FOLLOWER LEVER LINK (RIGHT)	-	-	X	X	X	X	X	X	X	X	X	X	X	X	X	X	-	X	X
02	141913-451	BUTTONHOLER NEEDLE POSITION CAM FOLLOWER LEVER LINK (LEFT & RIGHT) SCREW	-	-	X	X	X	X	X	X	X	X	X	X	X	X	X	X	-	X	X
03	408030	BUTTONHOLER & FEED REGULATOR MECHANISM MOUNTING PLATE STUD RETAINING RING	-	-	X	X	X	X	X	X	X	X	X	X	X	X	X	X	-	X	X
04	445808	BUTTONHOLER & FEED REGULATOR MECHANISM MOUNTING PLATE STUD SPRING WASHER	-	-	X	X	X	X	X	X	X	X	X	X	X	X	X	X	-	X	X
05	179949	BUTTONHOLER & FEED REGULATOR MECHANISM MOUNTING PLATE STUD SPRING	-	-	X	X	X	X	X	X	X	X	X	X	X	X	X	X	-	X	X
06	445486	BUTTONHOLER BIGHT CONTROL CAM FOLLOWER LVER LINK (RIGHT) RETAINING RING	-	-	X	X	X	X	X	X	X	X	X	X	X	X	X	X	-	X	X
07	356230	BUTTONHOLER & FEED REGULATOR MECHANISM MOUNTING PLATE STUD	-	-	X	X	X	X	X	X	X	X	X	X	X	X	X	X	-	X	X
08	357010-XXX	BUTTONHOLER & FEED REGULATOR CAM COMPLETE	-	-	-	-	X	X	X	X	X	X	X	X	X	X	X	-	-	X	
08	357012-XXX	BUTTONHOLER & FEED REGULATOR CAM COMPLETE	-	-	X	X	-	-	-	-	-	-	-	-	-	-	-	-	-	-	-
09	357011-XXX	BUTTONHOLER & FEED REGULATOR CAM COMPLETE	-	-	-	-	X	X	X	X	X	X	X	X	X	X	X	-	X	X	
09	357013-XXX	BUTTONHOLER & FEED REGULATOR CAM COMPLETE	-	-	X	X	-	-	-	-	-	-	-	-	-	-	-	-	-	-	-
10	353304	FEED REGULATOR CONTROL ARM ASSEMBLY	-	-	X	X	X	X	X	X	X	X	X	X	X	X	X	X	-	X	X
11	141913-451	BUTTONHOLER BIGHT CONTROL CAM FOLLOWER LEVER LINK (LEFT & RIGHT) SCREW	-	-	X	X	X	X	X	X	X	X	X	X	X	X	X	X	-	X	X
12	356748	BUTTONHOLER BIGHT CONTROL CAM FOLLOWER LEVER LINK (RIGHT)	-	-	X	X	X	X	X	X	X	X	X	X	X	X	X	X	-	X	X
13	356653-XXX	FEED REGULATOR POSITIONING PIN KNOB	-	-	X	X	X	X	X	X	X	X	X	X	X	X	X	X	-	X	X
14	113513-451	BUTTONHOLER & FEED REG. MECHANISM MOUNTING PLATE SCREW	-	-	X	X	X	X	X	X	X	X	X	X	X	X	X	X	-	X	X
15	445486	BUTTONHOLER BIGHT CONTROL CAM FOLLOWER LEVER LINK (RIGHT) RETAINING RING	-	-	X	X	X	X	X	X	X	X	X	X	X	X	X	X	-	X	X
16	53640-819	BUTTONHOLER & FEED REGULATOR MECHANISM MOUNTING PLATE SCREW NUT	-	-	X	X	X	X	X	X	X	X	X	X	X	X	X	X	-	X	X
17	353215	BUTTONHOLER NEEDLE POSITION CAM FOLLOWER LEVER RETAINING RING	-	-	X	X	X	X	X	X	X	X	X	X	X	X	X	X	-	X	X

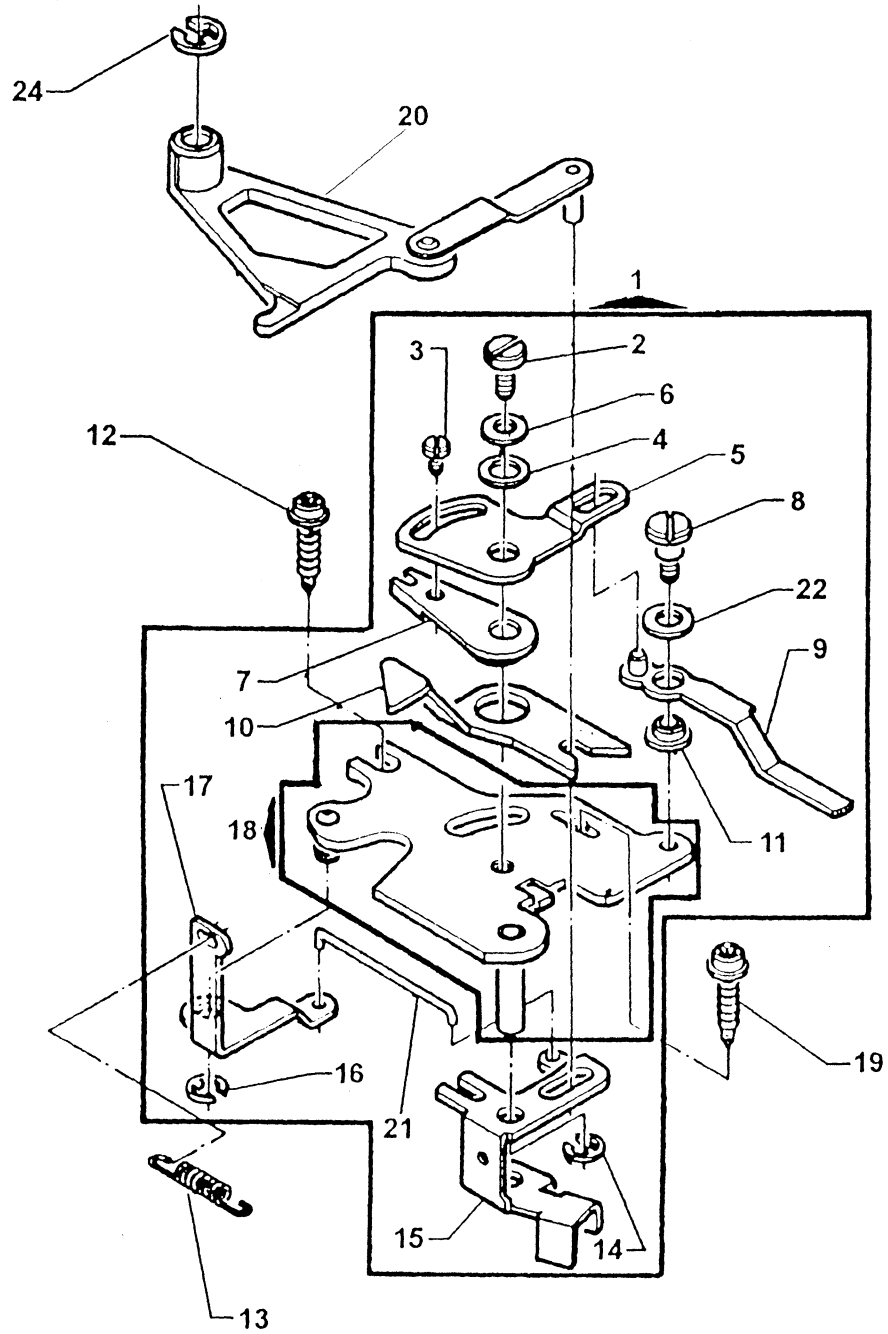
**PART LIST**  
**BUTTONHOLER AND FEED REGULATOR CAM (CONT.)**

4 4 4 4 4 4 4 4 4 4 4 4 4 8 4 4 4  
 8 8 8 8 8 8 8 8 8 8 8 8 4 9 9 9  
 0 1 1 1 1 2 2 2 2 2 3 3 3 1 1 3  
 2 4 5 7 8 0 2 4 6 8 0 2 5 4 7 0  
 0

REF. PART NBR.	DESCRIPTION																			
18 353495	BUTTONHOLER & FEED REGULATOR CONTROL DIAL PAWL SPRING	-	-	X	X	X	X	X	X	X	X	X	X	X	X	X	X	X	X	X
19 353319	CAM CONTROL FEED ENGAGING CAM FOLLOWER & LEVER BUSHING	-	-	X	X	X	X	X	X	X	X	X	X	X	X	X	X	X	X	X
20 353321	CAM CONTROL FEED ENGAGING CAM FOLLOWER LEVER	-	-	X	X	X	X	X	X	X	X	X	X	X	X	X	X	X	X	X
21 353495	CAM CONTROL FEED ENGAGING CAM FOLLOWER & LEVER SPRING	-	-	X	X	X	X	X	X	X	X	X	X	X	X	X	X	X	X	X
22 353320	CAM CONTROL FEED ENGAGING CAM FOLLOWER	-	-	X	X	X	X	X	X	X	X	X	X	X	X	X	X	X	X	X
23 445539	CAM CONTROL FEED ENGAGING CAM FOLLOWER & LEVER SCREW	-	-	X	X	X	X	X	X	X	X	X	X	X	X	X	X	X	X	X
24 113372-451	CAM CONTROL FEED ENGAGING CAM FOLLOWER & LEVER MOUNTING SCREW	-	-	X	X	X	X	X	X	X	X	X	X	X	X	X	X	X	X	X
25 618638-005	FEED REGULATOR POSITIONING PIN CARRIER INSERT NUT	-	-	X	X	X	X	X	X	X	X	X	X	X	X	X	X	X	X	X
26 356650	FEED REGULATOR POSITIONING PIN	-	-	X	X	X	X	X	X	X	X	X	X	X	X	X	X	X	X	X
27 44892	FEED REGULATOR POSITIONING PIN FRICTION SPRING	-	-	X	X	X	X	X	X	X	X	X	X	X	X	X	X	X	X	X
28 357094	FEED REGULATOR POSITIONING PIN CARRIER	-	-	X	X	X	X	X	X	X	X	X	X	X	X	X	X	X	X	X
29 113455-001	FEED REGULATOR CONTROL ARM SCREW	-	-	X	X	X	X	X	X	X	X	X	X	X	X	X	X	X	X	X
30 356830-001	FEED REGULATOR POSITIONING PIN WASHER	-	-	X	X	X	X	X	X	X	X	X	X	X	X	X	X	X	X	X

**NOTE:** PLEASE WHEN NEED THE PART NUMBER(-----XXX), INDICATE MACHINE MODEL WHERE WILL BE USED.

CAM CONTROLLED FEED



REV: \_\_\_\_\_  
DATA: DEC/98

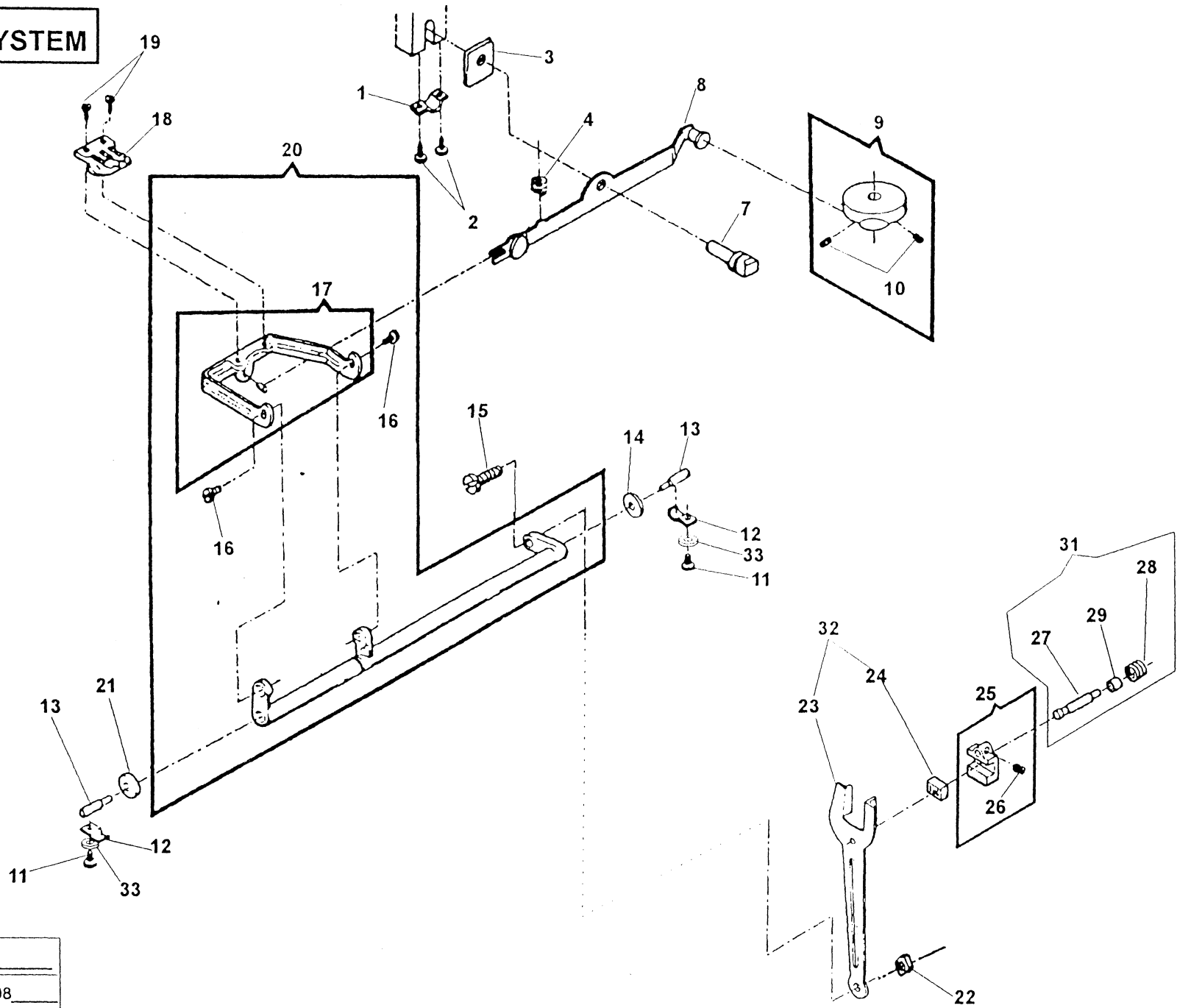
**PART LIST  
CAM CONTROLLED FEED**

4 4 4 4 4 4 4 4 4 4 4 4 8 4 4 4  
 8 8 8 8 8 8 8 8 8 8 8 8 4 9 9 9  
 0 1 1 1 1 2 2 2 2 2 3 3 3 1 1 3  
 2 4 5 7 8 0 2 4 6 8 0 2 5 4 7 0  
 0

REF. PART NBR.	DESCRIPTION																			
01	531749-001	CAM CONTROLLED FEED MOUNTING BRACKET COMPLETE	-	-	-	-	X	X	X	X	X	-	X	X	X	-	X	X		
02	113423-451	CAM CONTROLLED FEED BALANCE ADJUSTING PLATE HINGE SCREW	-	-	-	-	X	X	X	X	X	-	X	X	X	-	X	X		
03	141913-451	CAM CONTROLLED FEED BALANCE ADJUSTING SCREW	-	-	-	-	X	X	X	X	X	-	X	X	X	-	X	X		
04	353492	CAM CONTROLLED FEED BALANCE ADJUSTING SCREW SPRING WASHER	-	-	-	-	X	X	X	X	X	-	X	X	X	-	X	X		
05	531754	CAM CONTROLLED FEED BALANCE ADJUSTING PLATE	-	-	-	-	X	X	X	X	X	-	X	X	X	-	X	X		
06	543531	CAM CONTROLLED FEED BALANCE ADJUSTING SCREW WASHER	-	-	-	-	X	X	X	X	X	-	X	X	X	-	X	X		
07	353331	CAM CONTROLLED FEED DRIVING ARM ECCENTRIC	-	-	-	-	X	X	X	X	X	-	X	X	X	-	X	X		
	113424-451	CAM CONTROLLED FEED BALANCE ADJUSTING LEVER HINGE SCREW	-	-	-	-	X	X	X	X	X	-	X	X	X	-	X	X		
09	531752-453	CAM CONTROLLED FEED BALANCE ADJUSTING LEVER ASSEMBLY	-	-	-	-	X	X	X	X	X	-	X	X	X	-	X	X		
10	353330-001	CAM CONTROLLED FEED DRIVING ARM	-	-	-	-	X	X	X	X	X	-	X	X	X	-	X	X		
11	353334	CAM CONTROLLED FEED BALANCE ADJUSTING LEVER MOUNTING BUSHING	-	-	-	-	X	X	X	X	X	-	X	X	X	-	X	X		
12	355243-451	CAM CONTROLLED FEED MOUNTING BRACKET SCREW	-	-	-	-	X	X	X	X	X	-	X	X	X	-	X	X		
13	356605	FEED REGULATOR CONTROL ARM BIAS LINK SPRING	-	-	-	-	X	X	X	X	X	-	X	X	X	-	X	X		
14	445721	CAM CONTROLLED FEED ENGAGING CRANK RETAINING RING	-	-	-	-	X	X	X	X	X	-	X	X	X	-	X	X		
15	353329	CAM CONTROLLED FEED ENGAGING CRANK	-	-	-	-	X	X	X	X	X	-	X	X	X	-	X	X		
16	445486	CAM CONTROLLED FEED FOLLOWER & LINK RETAINING RING	-	-	-	-	X	X	X	X	X	-	X	X	X	-	X	X		
17	356166	CAM CONTROLLED FEED ENGAGING CRANK LEVER	-	-	-	-	X	X	X	X	X	-	X	X	X	-	X	X		
18	531750	CAM CONTROLLED FEED MOUNTING BRACKET ASSEMBLY	-	-	-	-	X	X	X	X	X	-	X	X	X	-	X	X		
19	113455-003	CAM CONTROLLED FEED MOUNTING BRACKET SCREW (RIGHT)	-	-	-	-	X	X	X	X	X	-	X	X	X	-	X	X		
20	356839	CAM CONTROLLED FEED FOLLOWER & LINK ASSEMBLY	-	-	-	-	X	X	X	X	X	-	X	X	X	-	X	X		
21	353473	CAM CONTROLLED FEED ENGAGING CRANK LINK	-	-	-	-	X	X	X	X	X	-	X	X	X	-	X	X		
22	179898-001	CAM CONTROLLED FEED BALANCE ADJUSTING LEVER WASHER	-	-	-	-	X	X	X	X	X	-	X	X	X	-	X	X		
24	445486	CAM CONTROLLED FEED FOLLOWER & LINK ASSEMBLY RETAINING RING	-	-	-	-	X	X	X	X	X	-	X	X	X	-	X	X		



FEED SYSTEM



REV: \_\_\_\_\_  
DATA: \_\_DEC/98\_\_

**PART LIST  
FEED SYSTEM**

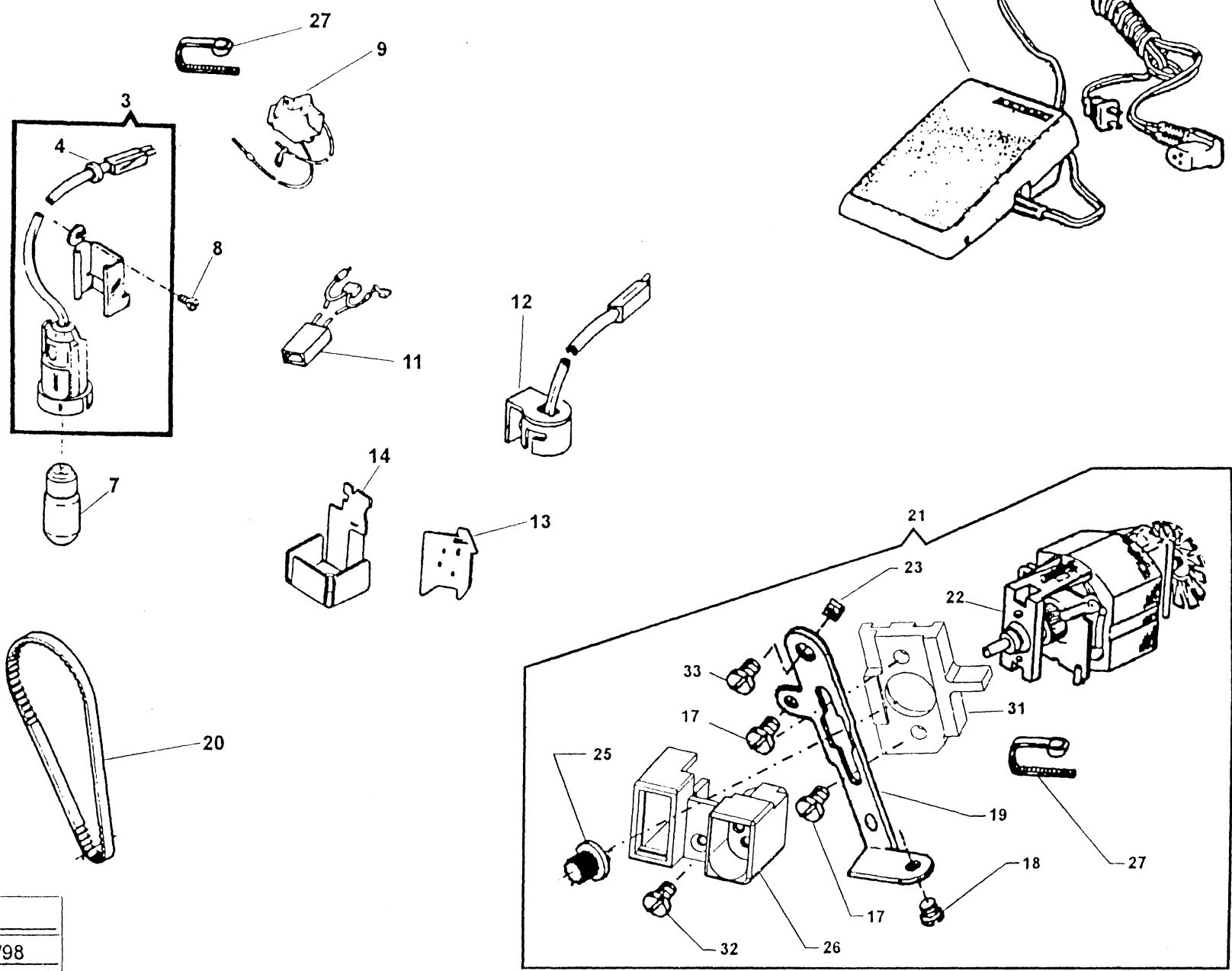
4 4 4 4 4 4 4 4 4 4 4 4 8 4 4 4  
 8 8 8 8 8 8 8 8 8 8 8 8 4 9 9 9  
 0 1 1 1 1 2 2 2 2 2 3 3 3 1 1 3  
 2 4 5 7 8 0 2 4 6 8 0 2 5 4 7 0  
 0

**REF. PART NBR.**

**DESCRIPTION**

01	446485	FEED LIFTING LEVER HINGE STUD (ECCENTRIC) CLAMP	X	X	X	X	X	X	X	X	X	X	X	X	X	X	X	X
02	113455-001	FEED LIFTING LEVER HINGE STUD (ECCENTRIC) CLAMP SCREW	X	X	X	X	X	X	X	X	X	X	X	X	X	X	X	X
03	179955	FEED LIFTING LEVER HINGE STUD (ECCENTRIC) SPACER	X	X	X	X	X	X	X	X	X	X	X	X	X	X	X	X
04	446249	FEED LIFTING LEVER SPRING	X	X	X	X	X	X	X	X	X	X	X	X	X	X	X	X
07	357122	FEED LIFTING LEVER HINGE STUD (ECCENTRIC)	X	X	X	X	X	X	X	X	X	X	X	X	X	X	X	X
08	356222-001	FEED LIFTING LEVER ASSEMBLY	X	X	X	X	X	X	X	X	X	X	X	X	X	X	X	X
09	446228	FEED LIFTING CAM	X	X	X	X	X	X	X	X	X	X	X	X	X	X	X	X
10	544118	FEED LIFTING CAM SCREW	X	X	X	X	X	X	X	X	X	X	X	X	X	X	X	X
11	113455-001	FEED ROCK SHAFT CENTER SUPPORTING BRACKET SCREW	X	X	X	X	X	X	X	X	X	X	X	X	X	X	X	X
12	446484	FEED ROCK SHAFT CENTER CLAMP (LEFT & RIGHT)	X	X	X	X	X	X	X	X	X	X	X	X	X	X	X	X
13	446487-001	FEED ROCK SHAFT CENTER	X	X	X	X	X	X	X	X	X	X	X	X	X	X	X	X
14	353397	FEED ROCK SHAFT CENTER (RIGHT) NOISE DAMPENING WASHER	X	X	X	X	X	X	X	X	X	X	X	X	X	X	X	X
15	531623-451	FEED FORKED CONNECTING HINGE SCREW (ECCENTRIC)	X	X	X	X	X	X	X	X	X	X	X	X	X	X	X	X
16	354939-451	FEED BAR HINGE SCREW	X	X	X	X	X	X	X	X	X	X	X	X	X	X	X	X
17	446205	FEED BAR ASSEMBLY	X	X	X	X	X	X	X	X	X	X	X	X	X	X	X	X
18	179891	FEED DOG	X	X	X	X	X	X	X	X	X	X	X	X	X	X	X	X
19	355235-451	FEED DOG SCREW	X	X	X	X	X	X	X	X	X	X	X	X	X	X	X	X
20	446216	FEED ROCK SHAFT COMPLETE	X	X	X	X	X	X	X	X	X	X	X	X	X	X	X	X
21	353397	FEED ROCK SHAFT CENTER (LEFT) NOISE DAMPENING WASHER	X	X	X	X	X	X	X	X	X	X	X	X	X	X	X	X
22	53648-451	FEED FORKED CONNECTING SCREW STUD NUT	X	X	X	X	X	X	X	X	X	X	X	X	X	X	X	X
23	531926	FEED FORKED CONNECTING	X	X	X	X	X	X	X	X	X	X	X	X	X	X	X	X
24	44437	FEED FORKED CONNECTING SLIDE BLOCK	X	X	X	X	X	X	X	X	X	X	X	X	X	X	X	X
25	446244	FEED REGULATOR ASSEMBLY	X	X	X	X	X	X	X	X	X	X	X	X	X	X	X	X
26	141925-833	FEED REGULATOR SET SCREW	X	X	X	X	X	X	X	X	X	X	X	X	X	X	X	X
27	446483	FEED REGULATOR HINGE STUD	X	X	X	X	X	X	X	X	X	X	X	X	X	X	X	X
28	179890	FEED REGULATOR RETURN SPRING	X	X	X	X	X	X	X	X	X	X	X	X	X	X	X	X
29	445768	FEED REGULATOR RETURN SPRING BUSHING (PLASTIC)	X	X	X	X	X	X	X	X	X	X	X	X	X	X	X	X
31	353600	FEED REGULATOR HINGE STUD ASSEMBLY	X	X	X	X	X	X	X	X	X	X	X	X	X	X	X	X
32	531927	FEED FORKET CONNECTION WITH SLIDE BLOCK	X	X	X	X	X	X	X	X	X	X	X	X	X	X	X	X
33	353357-451	FEED ROCK SHAFT CENTER SUPPORTING BRACKET SCREW WASHER	X	X	X	X	X	X	X	X	X	X	X	X	X	X	X	X

ELECTRICAL EQUIPMENT



REV: \_\_\_\_\_  
DATE: DEC/98

**PART LIST  
ELECTRICAL EQUIPMENT**

**4 4 4 4 4 4 4 4 4 4 4 4 8 4 4 4  
8 8 8 8 8 8 8 8 8 8 8 8 4 9 9 9  
0 1 1 1 1 2 2 2 2 2 3 3 3 1 1 3  
2 4 5 7 8 0 2 4 6 8 0 2 5 4 7 0  
0**

REF. PART NBR	DESCRIPTION	
03	605488-025	LIGHT LEAD COMPLETE CAT L9 (IEC CONSTRUCTION)
04	179908	LIGHT LEAD GROMMET
7	988076-001	LAMP (120V)
07	988076-003	LAMP (220/250V)
08	354592-451	LIGHT SOCKET MOUNTING SCREW
09		REFER TO CHARTS ON FOLLOWING PAGES
10		REFER TO CHARTS ON FOLLOWING PAGES
11		REFER TO CHARTS ON FOLLOWING PAGES
12		REFER TO CHARTS ON FOLLOWING PAGES
13	179901	HEAT SHIELD (WITHOUT GRAPHICS)
13	179910-451	LIGHT SHIELD (WITH GRAPHICS) (FOR US/CANADA)
14	605087-001	HEAT SHIELD (FOR EUROPE)
17	362264-901	MOTOR MOUNTING PLATE CLAMP SCREW
18	113370-451	MOTOR MOUNTING PLATE SCREW (LOWER)
19	356803-901	MOTOR MOUNTING PLATE
20	353518-001	MOTOR BELT (V)
21		REFER TO CHARTS ON FOLLOWING PAGES
22		REFER TO CHARTS ON FOLLOWING PAGES
23	313470-452	MOTOR MOUNTING PLATE SCREW NUT
25	988761-001	MOTOR PULLEY
26		REFER TO CHARTS ON FOLLOWING PAGES
27	605600-004	TYE RAP
31	362237-901	MOTOR MOUNTING PLATE SPACER
32	362263-901	MOTOR MOUNTING PLATE SPACER SCREW
33	113372-451	MOTOR MOUNTING PLATE SCREW (UPPER)

**ELECTRICAL EQUIPMENT**

		U.S	CANADA	EUROPE	GREAT BRITAIN
REF.	1 SPEED UNSUPRESSED	(120V)	(120V)	(220V)	(240V)
12	LIGHT COMPLETE	362160-002	362160-002		
21	MOTOR COMPLETE	362180-012	362180-012		
22	SERIES MOTOR MODULE	988752-010	988752-010		
26	COMUTATOR END	362239-012	362239-012		
10	CONTROLLER	362095-001	362095-001		
09	SWITCH COMPLETE	362307-003	362307-003		
11	LIGHT CONNECTOR HARNESS	988764-003	988764-003		
REF.	1 SPEED SUPRESSED				
03	LIGHT COMP.			605488-025	605488-025
21	MOTOR COMPLETE			362180-016	362180-016
22	SERIES MOTOR MODULE			988752-011	988752-011
26	COMUTATOR END			362239-016	362239-016
10	CONTROLLER			362095-002	362095-015
9	SWITCH COMPLETE			988763-004	988763-004
11	LIGHT CONNECTOR HARNESS			988768-003	988768-003

REV.: \_\_\_\_\_  
 DATA: **DEC/98**

**ELECTRICAL EQUIPMENT**

		ASIA & AFRICA & SOUTH AMERICA	ASIA & AFRICA & SOUTH AMERICA	AFRICA & SOUTH AMERICA	AMEDO
REF.	1 SPEED UNSUPRESSED	FLAT BLADE (120V)	FLAT BLADE (220V)	ROUND PIN (120V)	ROUND PIN (220V)
12	LIGHT COMPLETE	362001-007	362001-007	362001-007	362001-007
21	MOTOR COMPLETE	362180-013	362180-014	362180-013	362180-014
22	SERIES MOTOR MODULE	362207-005	362207-006	362207-005	362207-006
26	COMUTATOR END	362239-013	362239-014	362239-013	362239-014
10	CONTROLLER	362095-007	362095-008	362095-005	362095-006
09	SWITCH COMPLETE	362307-001	362307-001	362307-001	362307-001
11	LIGHT CONNECTOR HARNESS	988764-005	988764-005	988764-005	988764-005

REV.: \_\_\_\_\_  
 DATA: DEC/98 \_\_\_\_\_

## ELECTRICAL EQUIPMENT

		AFRICA & SOUTH AMERICA	SOUTH AFRICA	AUSTRALIA
REF	1 SPEED UNSUPRESSED	ROUND PIN (220V)	ROUND PIN (220V)	(240V)
12	LIGHT COMPLETE	362001-007	362001-007	
21	MOTOR COMPLETE	362180-014	362180-013	
22	SERIES MOTOR MODULE	362207-006	362207-005	
26	COMUTATOR END	362239-014	362239-013	
10	CONTROLLER	362095-006	362095-005	
09	SWITCH COMPLETE	362307-001	362307-001	
11	LIGHT CONNECTOR HARNESS	988764-005	988764-005	
REF.	1 SPEED SUPRESSED			
03	LIGHT COMPLETE			605488-025
21	MOTOR COMPLETE			362180-016
22	SERIES MOTOR MODULE			988752-011
26	COMUTATOR END			362239-016
10	CONTROLLER			362095-010
09	SWITCH - 2 SPEED			988763-004
11	LIGHT CONNECTOR HARNESS			988768-003

REV.: \_\_\_\_\_

DATA: DEC/98