

SINGER
477K

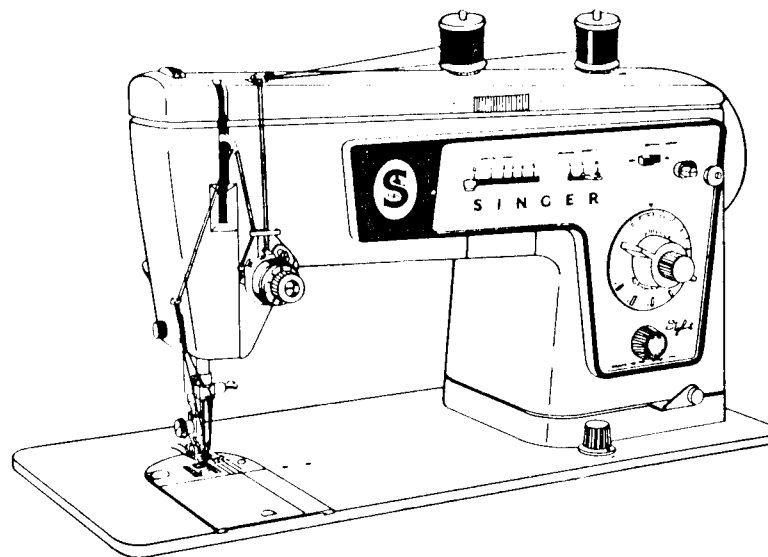
Parts Chart for SINGER^{*} 477K Class Machines

MACHINE NO. 477K

Arm and Bed Textured Alabaster Grey c.c. 673

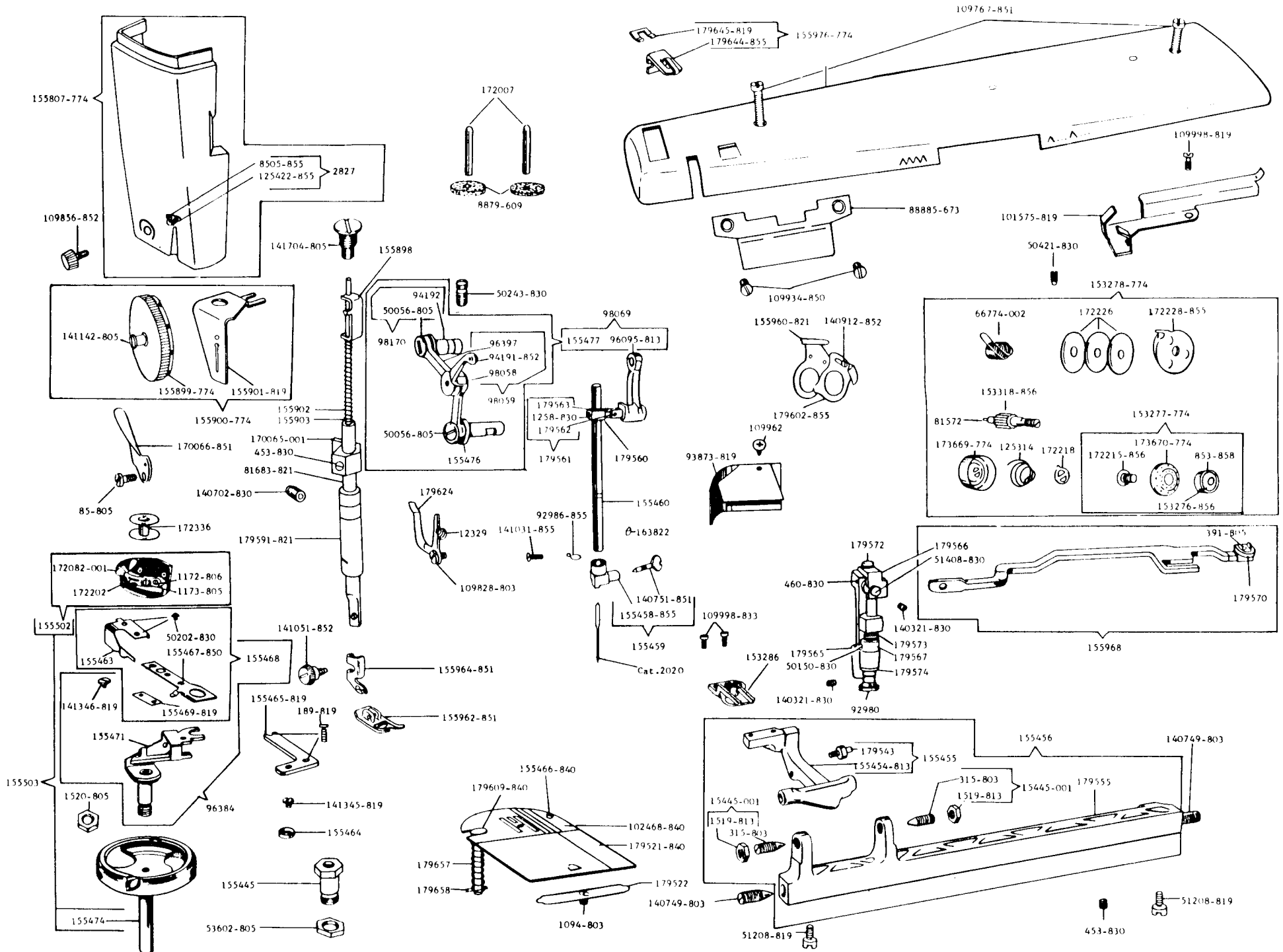
Hand Wheel, Face Plate, etc. Alabaster Grey c.c. 774

Control Panel, etc. Graphics Navy c.c. 670

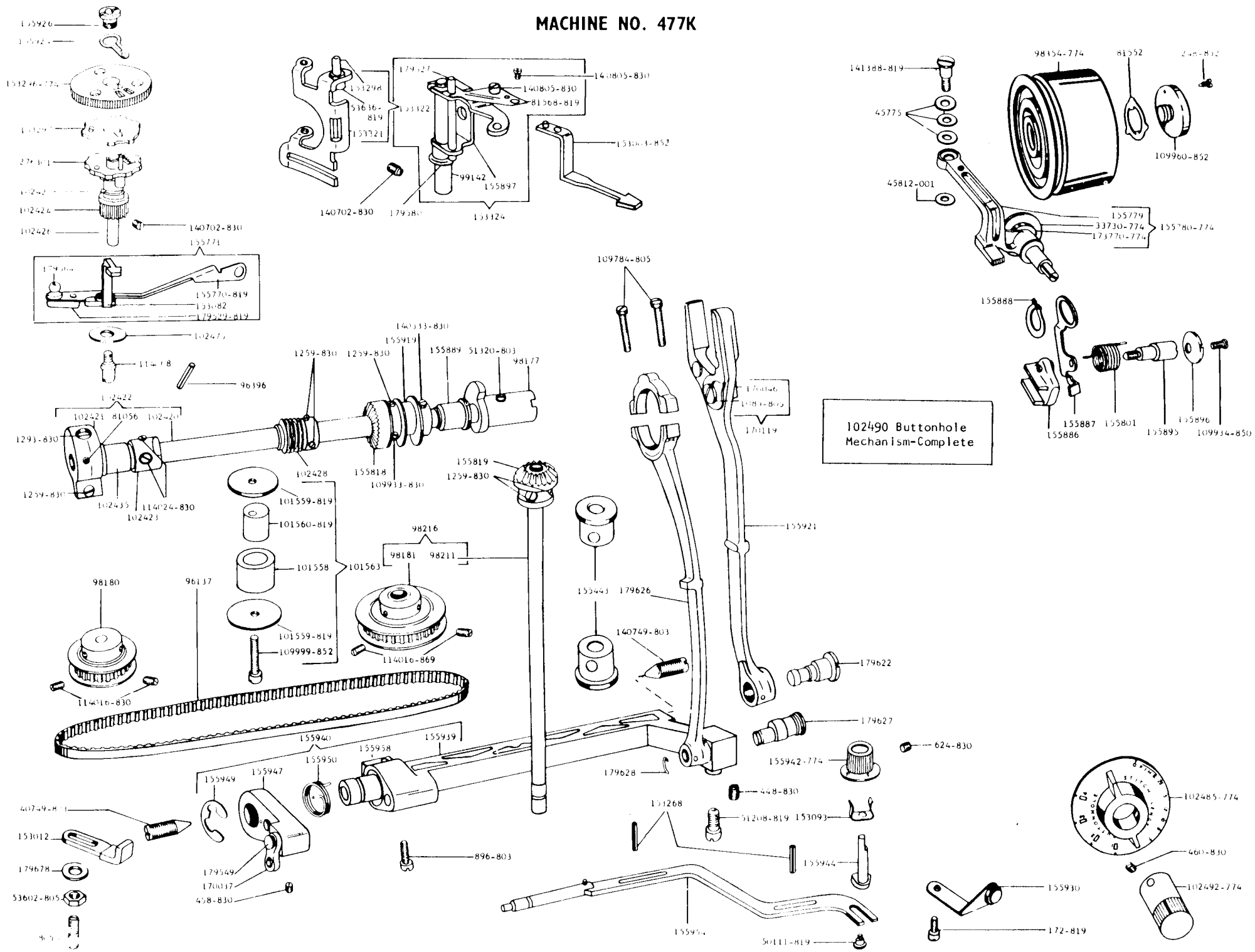


* A Trademark of THE SINGER COMPANY
© 1968 by The Singer Manufacturing Co. Ltd.
All rights reserved throughout the world.

MACHINE NO. 477K



MACHINE NO. 477K



102490 Buttonhole Mechanism-Complete

MACHINE NO. 477K

