



LIST OF PARTS
SEWING MACHINE SERIES

4620/5800


6620/7211

7212/57817

57820/8220



THE SINGER COMPANY
© 1998 SINGER DO BRASIL
ALL RIGHTS RESERVED

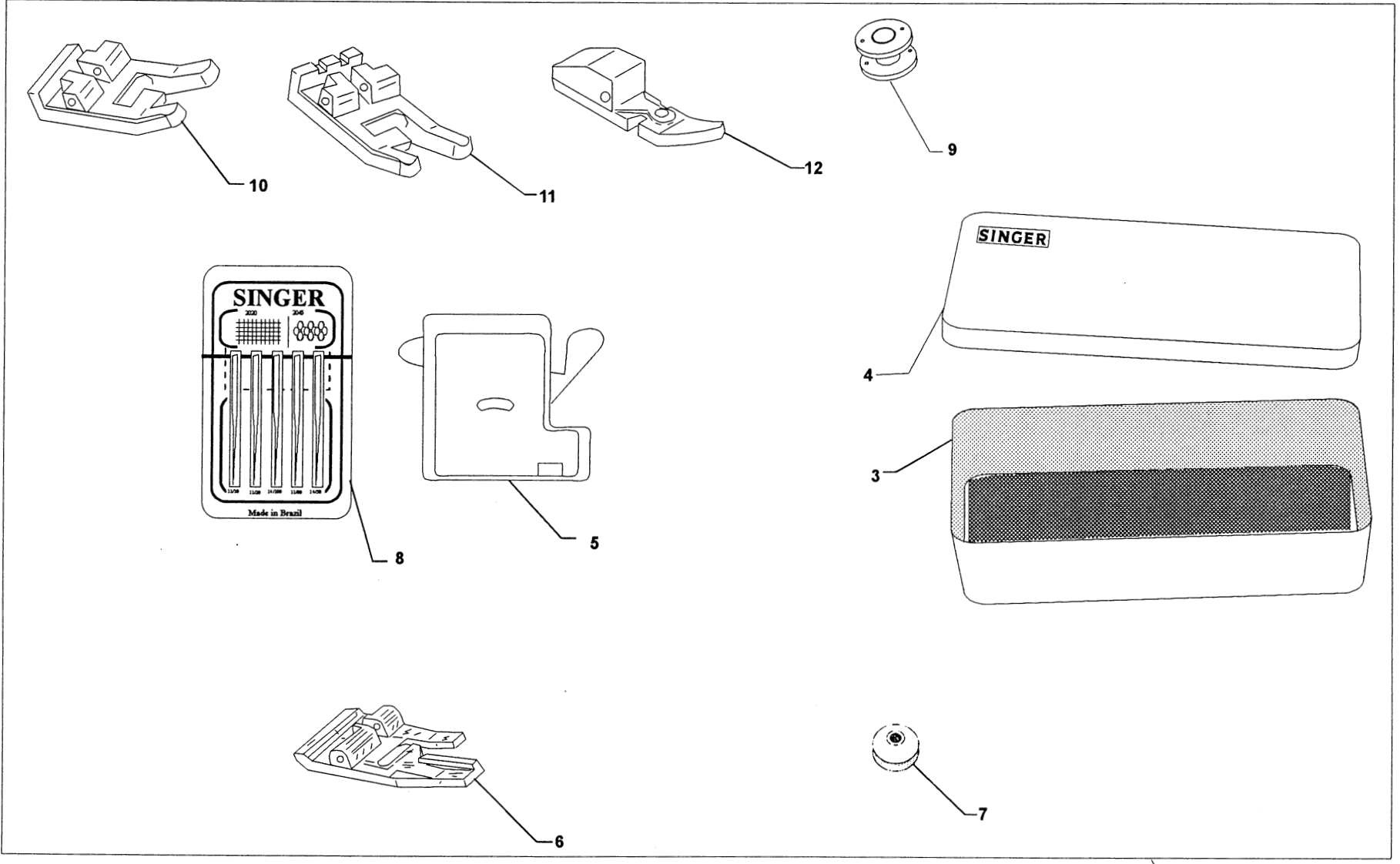


PRINTED IN BRAZIL
P/N 357668-001
DEC/98

**PART LIST
SUB-ASSEMBLY**

REF.	DESCRIPTION
01 - 02	ATTACHMENT SET
03 - 04	ARM, BED, THROAT PLATE & BED SLIDE
05 - 06	ARM TOP COVER
07 - 08	COVERS & ADD-ONS
09 - 13	NEEDLE BAR, PRESSER BAR & THREAD TAKE-UP
14 - 15	ARM SHAFT DRIVE
16 - 17	HAND WHEEL
18 - 19	TENSION MECHANISM
20 - 21	HOOK SYSTEM
22 - 23	BIGHT AMPLITUDE
24 - 27	NEEDLE POSITION
28 - 29	DISC SELECTOR ASSEMBLY
30 - 31	PATTERN SELECTOR
32 - 33	CAM STACK
34 - 35	FEED REGULATOR CAM
36 - 38	BUTTONHOLER & FEED REGULATOR CAM
39 - 40	CAM CONTROLLED FEED
41 - 42	FEED SYSTEM
43 - 44	OPTIONS
45 - 49	ELECTRICAL EQUIPMENT

ATTACHMENT SET



REV.: _____
DATA: DEC/98

**PART LIST
ATTACHMENT SET**

4 5 5 5 5 5 5 5 5 5 5 5 6 7 7 5 5 8
6 8 8 8 8 8 8 8 8 8 8 8 6 2 2 7 7 2
2 0 0 0 0 1 1 1 1 1 1 2 2 1 1 8 8 2
0 2 5 6 8 0 2 4 6 7 8 0 0 1 2 1 2 0
7 0

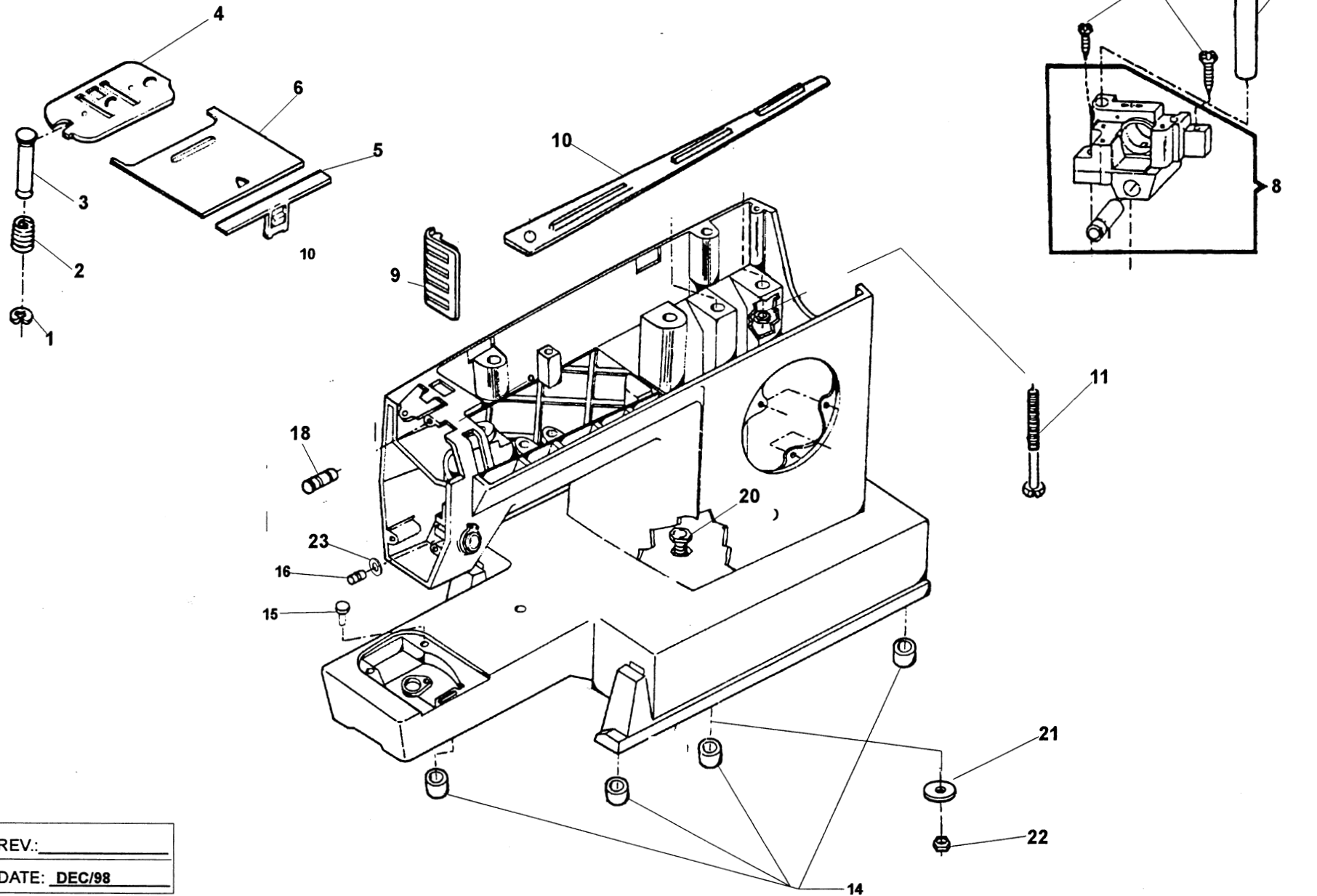
REF. PART NBR. DESCRIPTION

01	446495-001	ATTACHMENT SET COMPLETE	-	X	-	-	-	-	-	-	-	-	-	-	-	-	-	X	-	-	
01	446496-003	ATTACHMENT SET COMPLETE	X	-	X	X	X	X	X	X	X	X	X	X	X	X	X	X	-	X	X
03	446148-456	ATTACHMENT BOX BASE (PLASTIC)	X	X	X	X	X	X	X	X	X	X	X	X	X	X	X	X	X	X	X
04	446149-458	ATTACHMENT BOX COVER (PLASTIC)	X	X	X	X	X	X	X	X	X	X	X	X	X	X	X	X	X	X	X
05	313117	FEED COVER PLATE (PLASTIC)	X	X	X	X	X	X	X	X	X	X	X	X	X	X	X	X	X	X	X
06	356630	BLIND STITCH GUIDE PRESSER FOOT	X	-	X	X	X	X	X	X	X	X	X	X	X	X	X	X	-	X	X
07	507664-467	ARM TOP COVER SPOOL PIN THREAD LEAD-OFF SMALL (PLASTIC)	X	X	X	X	X	X	X	X	X	X	X	X	X	X	X	X	X	X	X
08	353364	NEEDLE PACK (N2020 SIZE 11/14/16 & N2045 SIZE 11/14)	X	X	X	X	X	X	X	X	X	X	X	X	X	X	X	X	X	X	X
09	172336	BOBBIN (PLASTIC)	X	X	X	X	X	X	X	X	X	X	X	X	X	X	X	X	X	X	X
10	446492-451	SPECIAL PURPOSE PRESSER FOOT PLATE (SNAP-ON)	X	-	X	X	X	X	X	X	X	X	X	X	X	X	X	X	-	X	X
11	161927	PRESSER FOOT PLATE (SNAP-ON) FOR SEWING BUTTONHOLES	X	-	X	X	X	X	X	X	X	X	X	X	X	X	X	X	-	X	X
12	507836	PRESSER FOOT PLATE (SNAP-ON) COMPLETE FOR CORDING & SLIDE FASTENERS	X	-	X	X	X	X	X	X	X	X	X	X	X	X	X	X	-	X	X

**5800 series, 4620, 6220, 7211, 7212, 57817 series, 8220 models.
P/N 357668-001**

Adopt.

ARM, BED, THROAT PLATE & BED SLIDE



REV.: _____
DATE: DEC/98

PART LIST
ARM, BED, THROAT PLATE & BED SLIDE

4 5 5 5 5 5 5 5 5 5 5 5 6 7 7 5 5 8
6 8 8 8 8 8 8 8 8 8 8 8 6 2 2 7 7 2
2 0 0 0 0 1 1 1 1 1 1 2 2 1 1 8 8 2
0 2 5 6 8 0 2 4 6 7 8 0 0 1 2 1 2 0
7 0

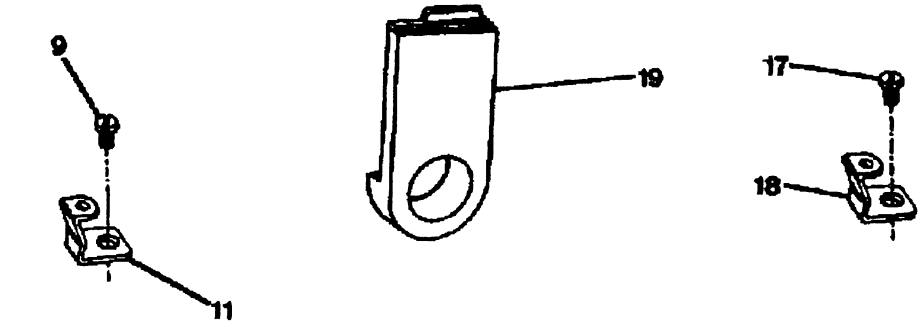
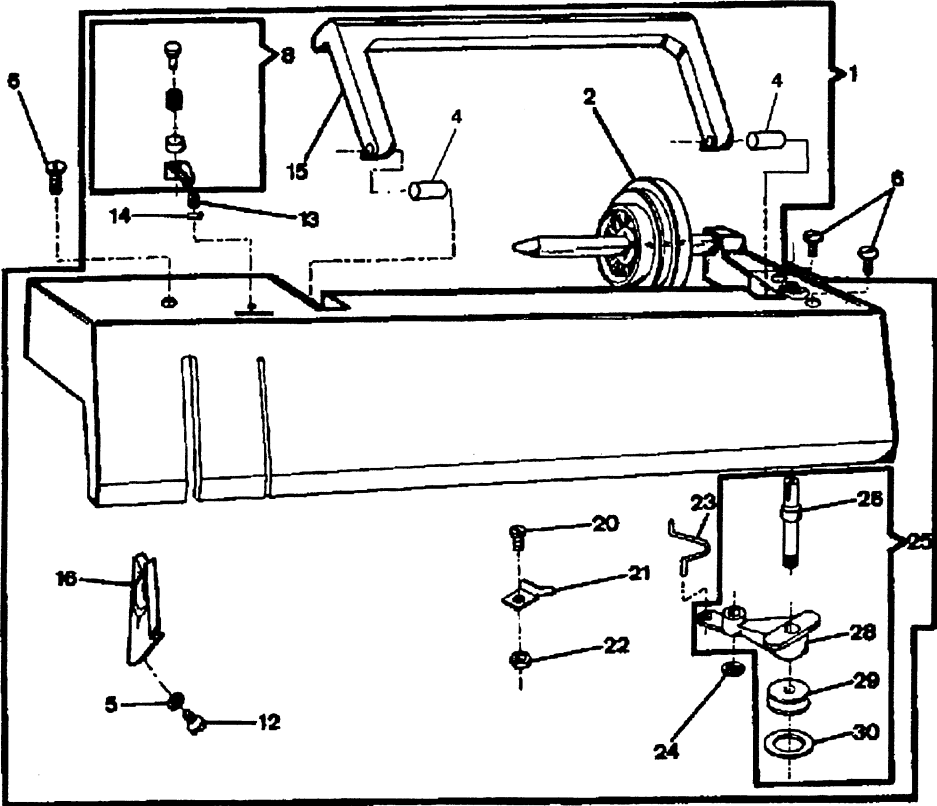
REF. PART NBR. DESCRIPTION

01	179926	THROAT PLATE CLAMP SPRING RETAINING RING	X	X	X	X	X	X	X	X	X	X	X	X	X	X	X	X
02	357611	THROAT PLATE CLAMP SPRING	X	X	X	X	X	X	X	X	X	X	X	X	X	X	X	X
03	353597	THROAT PLATE CLAMP	X	X	X	X	X	X	X	X	X	X	X	X	X	X	X	X
04	356713	THROAT PLATE FOR ZIG-ZAG SEWING	X	X	X	X	X	X	X	X	X	X	X	X	X	X	X	X
05	446482	BED SLIDE SPRING	X	X	X	X	X	X	X	X	X	X	X	X	X	X	X	X
06	179982	BED SLIDE PLATE	X	X	X	X	X	X	X	X	X	X	X	X	X	X	X	X
07	113455-006	ARM SHAFT (REAR) HOUSING MOUNTING SCREW	X	X	X	X	X	X	X	X	X	X	X	X	X	X	X	X
08	357017-002	ARM SHAFT (REAR) HOUSING ASSEMBLY	X	X	X	X	X	X	X	X	X	X	X	X	X	X	X	X
09	353360-452	ARM INSERT (MOTOR VENT GRILL)	X	X	X	X	X	X	X	X	X	X	X	X	X	X	X	X
10	356049-901	FILLER PLATE	-	X	-	-	-	-	-	-	-	-	-	-	-	X	-	-
10	356111-452	FILLER PLATE	-	-	X	-	-	-	-	X	-	-	-	-	-	-	X	-
10	356112-452	FILLER PLATE	-	-	-	X	X	X	X	X	-	X	X	X	X	-	-	X
11	357020-451	ARM SHAFT (REAR) HOUSING MOUNTING SCREW	X	X	X	X	X	X	X	X	X	X	X	X	X	X	X	X
12	357019	ARM TOP COVER MOUNTING STUD	X	X	X	X	X	X	X	X	X	X	X	X	X	X	X	X
14	353559-451	UNDER BED COVER CUSHION	X	X	X	X	X	X	X	X	X	X	X	X	X	X	X	X
15	353624	THROAT PLATE POSITION PIN (PLASTIC)	X	X	X	X	X	X	X	X	X	X	X	X	X	X	X	X
16	357438-001	TENSION RELEASING LEVER HINGE PIN	X	X	X	X	X	X	X	X	X	X	X	X	X	X	X	X
18	446375	THREAD TAKE-UP LEVER LINK HINGE STUD	X	X	X	X	X	X	X	X	X	X	X	X	X	X	X	X
20	355250-451	BED (BOTTOM) COVER & CABINET BOLT	X	X	X	X	X	X	X	X	X	X	X	X	X	X	X	X
21	353375-451	BED (BOTTOM) COVER & CABINET BOLT WASHER	X	X	X	X	X	X	X	X	X	X	X	X	X	X	X	X
22	514608	BED (BOTTOM) COVER & CABINET BOLT NUT	X	X	X	X	X	X	X	X	X	X	X	X	X	X	X	X
23	357464-002	TENSION RELEASING LEVER HINGE PIN WASHER	X	X	X	X	X	X	X	X	X	X	X	X	X	X	X	X

5800 series, 4620, 6220, 7211, 7212, 57817 series, 8220 models.
P/N 357668-001

Adopt.

ARM TOP COVER



REV: _____
DATA: __DEC/98__

PART LIST
ARM TOP COVER

4 5 5 5 5 5 5 5 5 5 5 6 7 7 5 5 8
6 8 8 8 8 8 8 8 8 8 8 6 2 2 7 7 2
2 0 0 0 0 1 1 1 1 1 1 2 2 1 1 8 8 2
0 2 5 6 8 0 2 4 6 7 8 0 0 1 2 1 2 0
7 0

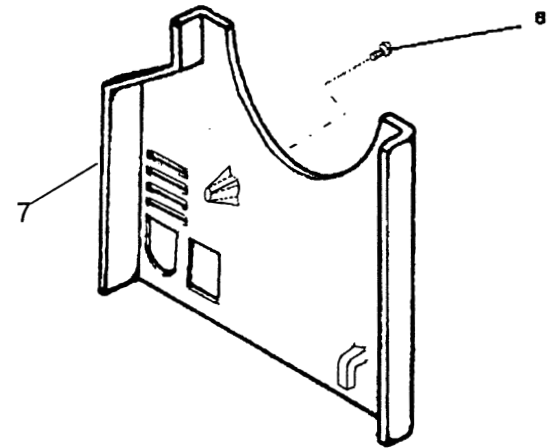
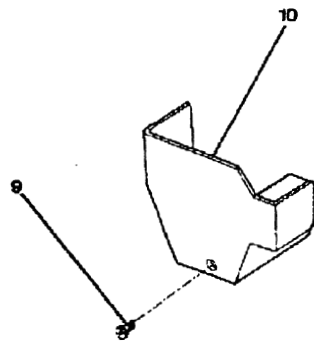
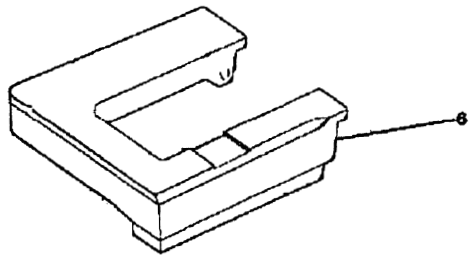
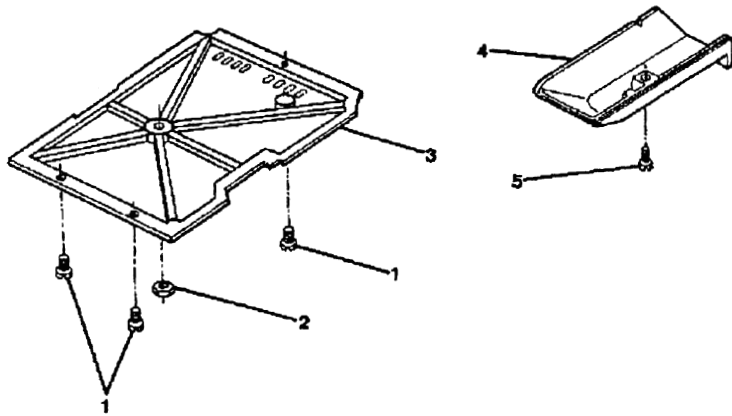
REF. PART NBR.	DESCRIPTION																	
01	356811-XXX	ARM TOP COVER COMPLETE	-	-	-	-	-	-	-	-	-	-	-	-	-	-	-	-
01	356880-XXX	ARM TOP COVER COMPLETE	-	-	-	-	-	-	-	-	-	-	-	-	-	-	-	-
02	179967-461	ARM TOP COVER SPOOL PIN THREAD LEAD-OFF	X	X	X	X	X	X	X	X	X	X	X	X	X	X	X	X
04	357325-900	ARM TOP COVER MACHINE HANDLE HINGE PIN	X	X	X	X	X	X	X	X	X	X	X	X	X	X	X	X
05	446138	ARM TOP COVER THREAD GUIDE SCREW WASHER	X	X	X	X	X	X	X	X	X	X	X	X	X	X	X	X
06	354895-453	ARM TOP COVER SCREW	X	X	X	X	X	X	X	X	X	X	X	X	X	X	X	X
08	356047	BOBBIN WINDER TENSION COMPLETE	X	X	X	X	X	X	X	X	X	X	X	X	X	X	X	X
09	354826-451	ARM TOP COVER MOUNTING BRACKET SCREW	X	X	X	X	X	X	X	X	X	X	X	X	X	X	X	X
11	531765	ARM TOP COVER BRACKET (LEFT)	X	X	X	X	X	X	X	X	X	X	X	X	X	X	X	X
12	356116-451	ARM TOP COVER THREAD GUIDE SCREW	X	X	X	X	X	X	X	X	X	X	X	X	X	X	X	X
13	141936-833	BOBBIN WINDER TENSION BRACKET ADJUSTING SCREW	X	X	X	X	X	X	X	X	X	X	X	X	X	X	X	X
14	44794	BOBBIN WINDER TENSION BRACKET ADJUSTING SCREW RETAINING CLIP	X	X	X	X	X	X	X	X	X	X	X	X	X	X	X	X
15	356044-452	ARM TOP COVER MACHINE HANDLE	X	X	X	X	X	X	X	X	X	X	X	X	X	X	X	X
16	357084-451	ARM TOP COVER THREAD GUIDE	X	X	X	X	X	X	X	X	X	X	X	X	X	X	X	X
17	113455-001	ARM TOP COVER MOUNTING BRACKET (RIGHT) SCREW	X	X	X	X	X	X	X	X	X	X	X	X	X	X	X	X
18	356178	ARM TOP COVER MOUNTING BRACKET (RIGHT)	X	X	X	X	X	X	X	X	X	X	X	X	X	X	X	X
19	356173-453	ARM TOP COVER SHROUDER	X	X	X	X	X	X	X	X	X	X	X	X	X	X	X	X
20	141920	BOBBIN WINDER STOP SCREW	X	X	X	X	X	X	X	X	X	X	X	X	X	X	X	X
21	445924	BOBBIN WINDER STOP	X	X	X	X	X	X	X	X	X	X	X	X	X	X	X	X
22	53640-819	BOBBIN WINDER STOP SCREW NUT	X	X	X	X	X	X	X	X	X	X	X	X	X	X	X	X
23	531766	BOBBIN WINDER SPRING	X	X	X	X	X	X	X	X	X	X	X	X	X	X	X	X
24	445486	BOBBIN WINDER RETAINING RING	X	X	X	X	X	X	X	X	X	X	X	X	X	X	X	X
25	531767-452	BOBBIN WINDER ASSEMBLY	X	X	X	X	X	X	X	X	X	X	X	X	X	X	X	X
26	356913	BOBBIN WINDER SPINDLE COMPLETE	X	X	X	X	X	X	X	X	X	X	X	X	X	X	X	X
28	354633-453	ARM TOP COVER HANDLE BRACKET	X	X	X	X	X	X	X	X	X	X	X	X	X	X	X	X
29	531770-452	BOBBIN WINDER FRAME	X	X	X	X	X	X	X	X	X	X	X	X	X	X	X	X
30	15287-701	BOBBIN WINDER FRICTION RING	X	X	X	X	X	X	X	X	X	X	X	X	X	X	X	X

NOTE: PLEASE WHEN NEED THE PART NUMBER(-----XXX), INDICATE THE MACHINE MODEL WHERE WILL BE USED.

5800 series, 4620, 6220, 7211, 7212, 57817 series, 8220 models.
P/N 357668-001

Adopt.

COVERS & ADD-ONS



REV: _____

DATA: _DEC/98_

**PART LIST
COVERS AND ADD-ONS**

4 5 5 5 5 5 5 5 5 5 5 5 6 7 7 5 5 8
 6 8 8 8 8 8 8 8 8 8 8 8 6 2 2 7 7 2
 2 0 0 0 0 1 1 1 1 1 1 2 2 1 1 8 8 2
 0 2 5 6 8 0 2 4 6 7 8 0 0 1 2 1 2 0
 7 0

REF. PART NBR.

DESCRIPTION

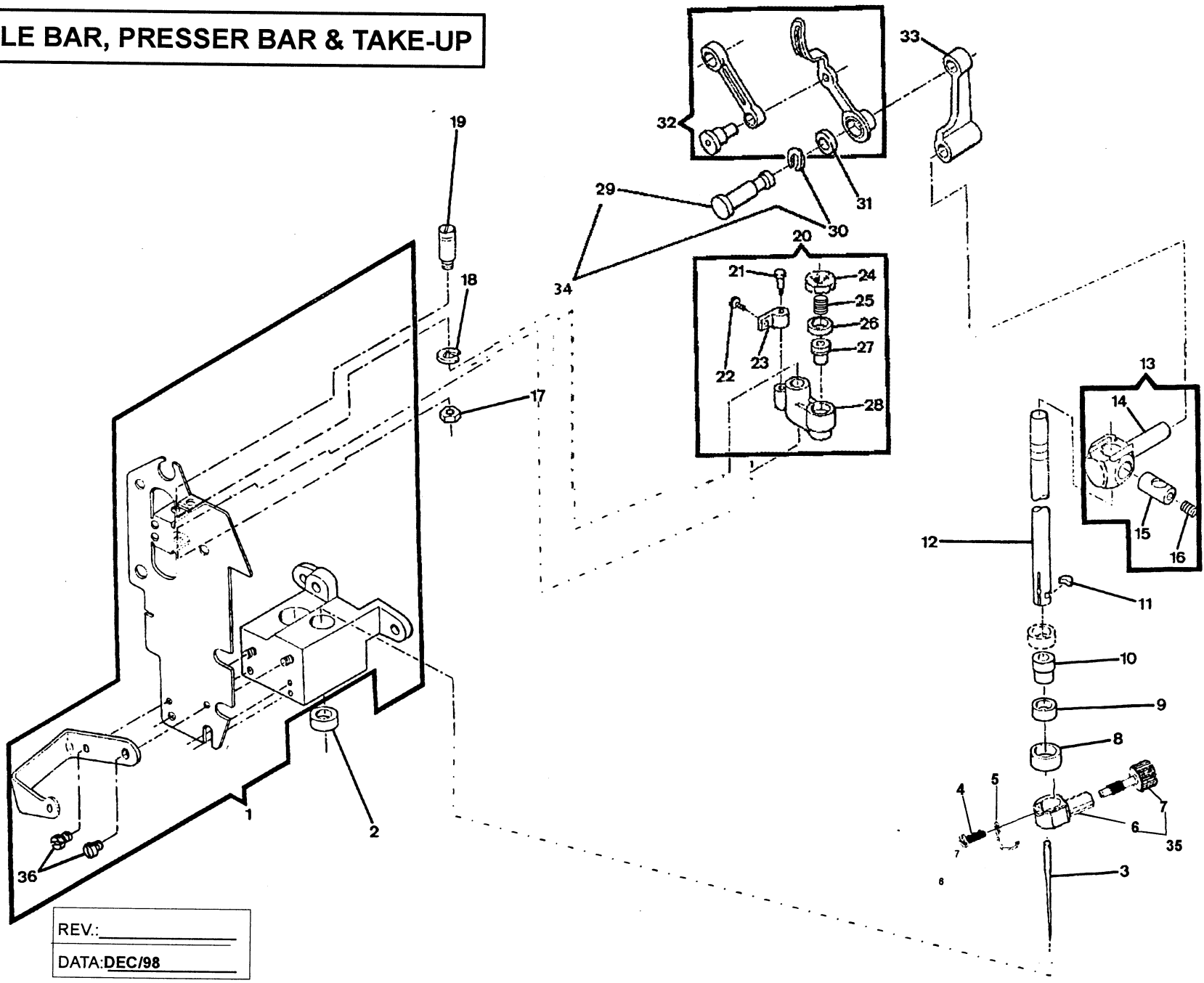
01	113455-001	BED (BOTTOM) COVER FASTENING SCREW	X	X	X	X	X	X	X	X	X	X	X	X	X	X	X	X	X
02	514608	BED (BOTTOM) COVER FASTENING NUT	X	X	X	X	X	X	X	X	X	X	X	X	X	X	X	X	X
03	353587-453	BED (BOTTOM) COVER (PLASTIC)	X	X	X	X	X	X	X	X	X	X	X	X	X	X	X	X	X
04	446493-453	BED (TUBULAR) BOTTOM COVER (PLASTIC)	X	X	X	X	X	X	X	X	X	X	X	X	X	X	X	X	X
05	354895-453	BED (TUBULAR) BOTTOM COVER FASTENING SCREW	X	X	X	X	X	X	X	X	X	X	X	X	X	X	X	X	X
06	356027-452	BED EXTENSION PLATE (PLASTIC)	X	X	X	X	X	X	X	X	X	X	X	X	X	X	X	X	X
07	446450-XXX	ARM END BED	-	-	-	-	-	-	-	-	-	-	-	-	-	-	-	-	-
08	364063-451	ARM END COVER SCREW	X	X	X	X	X	X	X	X	X	X	X	X	X	X	X	X	X
09	354133-453	FACE PLATE SCREW	X	X	X	X	X	X	X	X	X	X	X	X	X	X	X	X	X
10	356051-XXX	FACE PLATE COMPLETE (WITHOUT GRILLER)	X	X	X	X	X	X	X	X	X	X	X	X	-	-	X	X	X
10	356235-XXX	FACE PLATE COMPLETE (WITH GRILLE)	-	X	X	X	X	X	X	X	X	X	X	-	X	X	-	-	X

NOTE: PLEASE WHEN NEED THE PART NUMBER (-----XXX), INDICATE THE MACHINE MODEL WHERE WILL BE USED.

**5800 series, 4620, 6220, 7211, 7212, 57817 series, 8220 models.
P/N 357668-001**

Adopt.

NEEDLE BAR, PRESSER BAR & TAKE-UP



REV.: _____
DATA: DEC/98

PART LIST
NEEDLE BAR, PRESSER BAR & THREAD TAKE-UP

4 5 5 5 5 5 5 5 5 5 5 6 7 7 5 5 8
6 8 8 8 8 8 8 8 8 8 8 6 2 2 7 7 2
2 0 0 0 1 1 1 1 1 1 1 2 2 1 1 8 8 2
0 2 5 6 8 0 2 4 6 7 8 0 0 1 2 1 2 0
7 0

REF. PART NBR.

DESCRIPTION

01	357360	NEEDLE BAR, PRESSER BAR & VIBRATING BRACKET HOUSING COMPLETE	X	X	X	X	X	X	X	X	X	X	X	X	X	X	X	X
02	44450	NEEDLE BAR BALL BUSHING (LOWER) SOCKET (UPPER)	X	X	X	X	X	X	X	X	X	X	X	X	X	X	X	X
03	204514-100	NEEDLE (SIZE No. 14)	X	X	X	X	X	X	X	X	X	X	X	X	X	X	X	X
04	141920-455	NEEDLE CLAMP BODY, NEEDLE CLAMP THREAD GUIDE & NEEDLE STOP SCREW	X	X	X	X	X	X	X	X	X	X	X	X	X	X	X	X
05	357421	NEEDLE CLAMP THREAD GUIDE	X	X	X	X	X	X	X	X	X	X	X	X	X	X	X	X
06	357429	NEEDLE CLAMP BODY	X	X	X	X	X	X	X	X	X	X	X	X	X	X	X	X
07	355248-451	NEEDLE THUMB SCREW	X	X	X	X	X	X	X	X	X	X	X	X	X	X	X	X
08	446361-001	NEEDLE BAR BALL BUSHING (LOWER) ADJUSTING COLLAR	X	X	X	X	X	X	X	X	X	X	X	X	X	X	X	X
09	507379	NEEDLE BAR BALL BUSHING (LOWER) SOCKET	X	X	X	X	X	X	X	X	X	X	X	X	X	X	X	X
10	446355-001	NEEDLE BAR BALL BUSHING (LOWER)	X	X	X	X	X	X	X	X	X	X	X	X	X	X	X	X
11	37943	NEEDLE BAR GIB	X	X	X	X	X	X	X	X	X	X	X	X	X	X	X	X
12	445793	NEEDLE BAR	X	X	X	X	X	X	X	X	X	X	X	X	X	X	X	X
13	353549-940	NEEDLE BAR CONNECTING STUD WITH HINGE PIN	X	X	X	X	X	X	X	X	X	X	X	X	X	X	X	X
14	353549	NEEDLE BAR CONNECTING STUD	X	X	X	X	X	X	X	X	X	X	X	X	X	X	X	X
15	37931	NEEDLE BAR CONNECTING STUD HINGE PIN	X	X	X	X	X	X	X	X	X	X	X	X	X	X	X	X
16	141916-833	NEEDLE BAR CLAMP SCREW	X	X	X	X	X	X	X	X	X	X	X	X	X	X	X	X
17	353402-451	NEEDLE BAR VIBRATING BRACKET HINGE PIN NUT	X	X	X	X	X	X	X	X	X	X	X	X	X	X	X	X
18	445721	NEEDLE BAR VIBRATING BRACKET HINGE PIN RETAINING RING	X	X	X	X	X	X	X	X	X	X	X	X	X	X	X	X
19	446359	NEEDLE BAR VIBRATING BRACKET HINGE PIN	X	X	X	X	X	X	X	X	X	X	X	X	X	X	X	X
20	353520-001	NEEDLE BAR VIBRATING BRACKET COMPLETE	X	X	X	X	X	X	X	X	X	X	X	X	X	X	X	X
21	37935	NEEDLE BAR DRIVING ARM HINGE BRACKET HINGE PIN	X	X	X	X	X	X	X	X	X	X	X	X	X	X	X	X
22	354826-451	NEEDLE BAR DRIVING ARM HINGE BRACKET SCREW	X	X	X	X	X	X	X	X	X	X	X	X	X	X	X	X
23	446190	NEEDLE BAR DRIVING ARM HINGE BRACKET	X	X	X	X	X	X	X	X	X	X	X	X	X	X	X	X
24	353522-001	NEEDLE BAR BALL BUSHING (UPPER) RETAINING RING	X	X	X	X	X	X	X	X	X	X	X	X	X	X	X	X
25	357616	NEEDLE BAR BUSHING (UPPER) SOCKET SPRING	X	X	X	X	X	X	X	X	X	X	X	X	X	X	X	X
26	357615	NEEDLE BAR BALL BUSHING (UPPER) SOCKET	X	X	X	X	X	X	X	X	X	X	X	X	X	X	X	X
27	446355-001	NEEDLE BAR BALL BUSHING (UPPER)	X	X	X	X	X	X	X	X	X	X	X	X	X	X	X	X
28	353521	NEEDLE BAR VIBRATING BRACKET	X	X	X	X	X	X	X	X	X	X	X	X	X	X	X	X
29	446260	THREAD TAKE-UP STUD	X	X	X	X	X	X	X	X	X	X	X	X	X	X	X	X
30	445486	THREAD TAKE-UP STUD RETAINING RING	X	X	X	X	X	X	X	X	X	X	X	X	X	X	X	X

5800 series, 4620, 6220, 7211, 7212, 57817 series, 8220 models.
P/N 357668-001

Adopt.

PART LIST
NEEDLE BAR, PRESSER BAR & THREAD TAKE-UP (CONT.)

4 5 5 5 5 5 5 5 5 5 5 5 6 7 7 5 5 8
 6 8 8 8 8 8 8 8 8 8 8 8 6 2 2 7 7 2
 2 0 0 0 0 1 1 1 1 1 1 2 2 1 1 8 8 2
 0 2 5 6 8 0 2 4 6 7 8 0 0 1 2 1 2 0
 7 0

REF. PART NBR.	DESCRIPTION																			
31 543531	THREAD TAKE-UP STUD THRUST WASHER	X	X	X	X	X	X	X	X	X	X	X	X	X	X	X	X	X	X	X
32 445672	THREAD TAKE-UP LEVER ASSEMBLY	X	X	X	X	X	X	X	X	X	X	X	X	X	X	X	X	X	X	X
33 446457	NEEDLE BAR CONNECTING LINK	X	X	X	X	X	X	X	X	X	X	X	X	X	X	X	X	X	X	X
34 446261	THREAD TAKE-UP STUD WITH RETAINING RING	X	X	X	X	X	X	X	X	X	X	X	X	X	X	X	X	X	X	X
35 357430	NEEDLE CLAMP BODY WITH SCREW	X	X	X	X	X	X	X	X	X	X	X	X	X	X	X	X	X	X	X
36 113480-451	NEEDLE BAR, PRESSER BAR & VIBRATING BRACKET HOUSING PLATE MOUNTING SCREW	X	X	X	X	X	X	X	X	X	X	X	X	X	X	X	X	X	X	X

PART LIST
NEEDLE BAR, PRESSER BAR & THREAD TAKE-UP

4 5 5 5 5 5 5 5 5 5 5 5 6 7 7 5 5 8
6 8 8 8 8 8 8 8 8 8 8 8 6 2 2 7 7 2
2 0 0 0 0 1 1 1 1 1 1 2 2 1 1 8 8 2
0 2 5 6 8 0 2 4 6 7 8 0 0 1 2 1 2 0
7 0

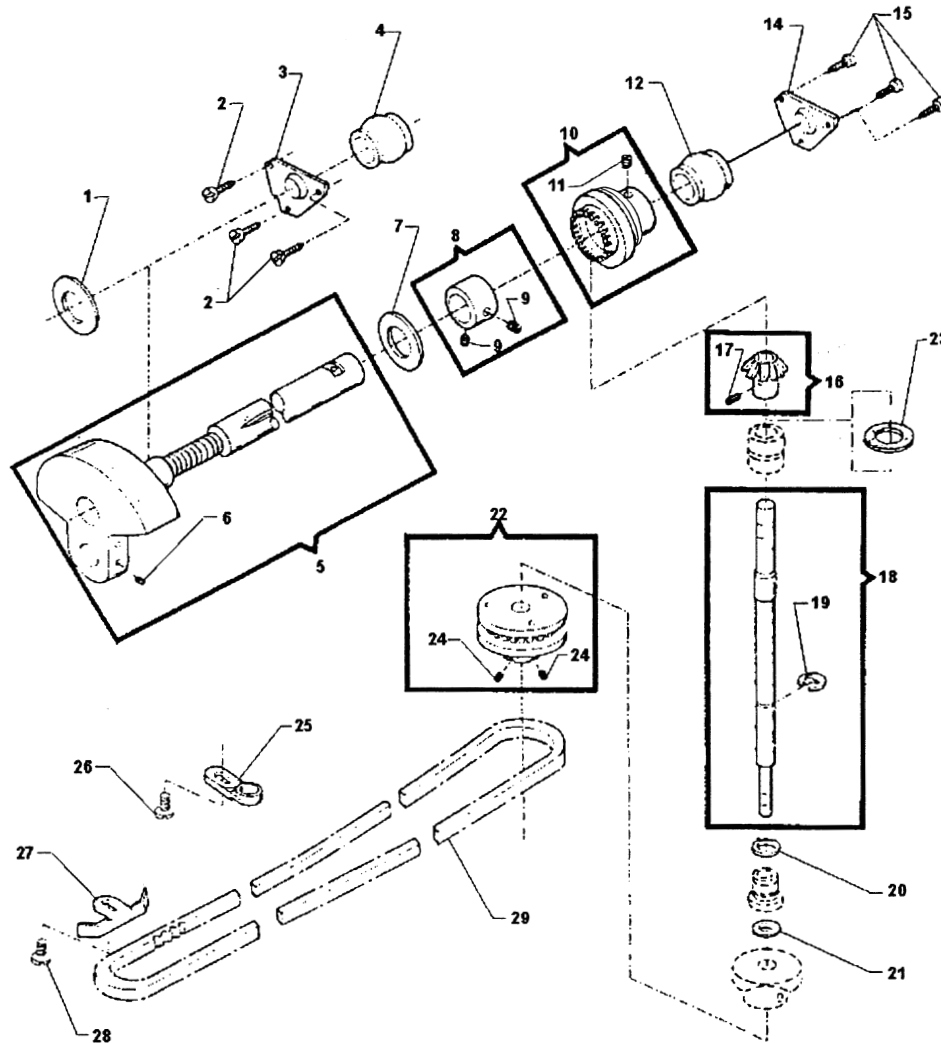
REF. PART NBR.	DESCRIPTION																			
01 445925	TENSION RELEASING LEVER	X	X	X	X	X	X	X	X	X	X	X	X	X	X	X	X	X	X	X
02 445486	TENSION RELEASING LEVER RETAINING RING	X	X	X	X	X	X	X	X	X	X	X	X	X	X	X	X	X	X	X
03 356170-451	PRESSER BAR LIFTER	X	X	X	X	X	X	X	X	X	X	X	X	X	X	X	X	X	X	X
05 531627	NEEDLE BAR, PRESSER BAR & VIBRATING BRACKET HOUSING MOUNTING BUSHING	X	X	X	X	X	X	X	X	X	X	X	X	X	X	X	X	X	X	X
06 113455-009	NEEDLE BAR & PRESSER BAR VIBRATING BRACKET HOUSING MOUNTING SCREW	X	X	X	X	X	X	X	X	X	X	X	X	X	X	X	X	X	X	X
09 354906-451	NEEDLE BAR BALL BUSHING (LOWER) ADJUSTING COLLAR SET SCREW	X	X	X	X	X	X	X	X	X	X	X	X	X	X	X	X	X	X	X
10 355279-451	PRESSER BAR BALL BUSHING SET SCREW	X	X	X	X	X	X	X	X	X	X	X	X	X	X	X	X	X	X	X
11 354993-451	NEEDLE BAR OVER THROW SET SCREW	X	X	X	X	X	X	X	X	X	X	X	X	X	X	X	X	X	X	X
12 54591-451	NEEDLE BAR OVER THROW SET SCREW NUT	X	X	X	X	X	X	X	X	X	X	X	X	X	X	X	X	X	X	X
13 113434-451	NEEDLE BAR, PRESSER BAR & VIBRATING BRACKET HOUSING MOUNTING SCREW (LOWER)	X	X	X	X	X	X	X	X	X	X	X	X	X	X	X	X	X	X	X
14 353375-451	NEEDLE BAR, PRESSER BAR & VIBRATING BRACKET HOUSING MOUNTING SCREW (LOWER) WASHER	X	X	X	X	X	X	X	X	X	X	X	X	X	X	X	X	X	X	X
15 354135-452	PRESSER FOOT THUMB SCREW	X	X	X	X	X	X	X	X	X	X	X	X	X	X	X	X	X	X	X
16 116863	FINGER GUARD (FOR EUROPE ONLY)	X	X	X	X	X	X	X	X	X	X	X	X	X	X	X	X	X	X	X
17 446372	PRESSER FOOT (SNAP-ON) COMPLETE FOR ZIG-ZAG SEWING	X	X	X	X	X	X	X	X	X	X	X	X	X	X	X	X	X	X	X
18 155964	PRESSER FOOT SHANK (SNAP-ON)	X	X	X	X	X	X	X	X	X	X	X	X	X	X	X	X	X	X	X
19 446371	PRESSER FOOT PLATE (SNAP-ON) FOR ZIG-ZAG	X	X	X	X	X	X	X	X	X	X	X	X	X	X	X	X	X	X	X
20 357602	PRESSER BAR	X	X	X	X	X	X	X	X	X	X	X	X	X	X	X	X	X	X	X
21 357604	PRESSER BAR BUSHING LOCATOR RING	X	X	X	X	X	X	X	X	X	X	X	X	X	X	X	X	X	X	X
22 445947-001	PRESSER BAR BUSHING	X	X	X	X	X	X	X	X	X	X	X	X	X	X	X	X	X	X	X
24 357362	PRESSER BAR SPRING	X	X	X	X	X	X	X	X	X	X	X	X	X	X	X	X	X	X	X
25 353215	PRESSER BAR SPRING RETAINING RING	X	X	X	X	X	X	X	X	X	X	X	X	X	X	X	X	X	X	X
26 357363	PRESSER BAR GUIDE BRACKET ASSEMBLY	X	X	X	X	X	X	X	X	X	X	X	X	X	X	X	X	X	X	X
27 441988-833	PRESSER BAR GUIDE BRACKET SET SCREW	X	X	X	X	X	X	X	X	X	X	X	X	X	X	X	X	X	X	X
28 353367-451	PRESSER BAR GUIDE BRACKET SET SCREW NUT	X	X	X	X	X	X	X	X	X	X	X	X	X	X	X	X	X	X	X

55279-451

5800 series, 4620, 6220, 7211, 7212, 57817 series, 8220 models.
P/N 357668-001

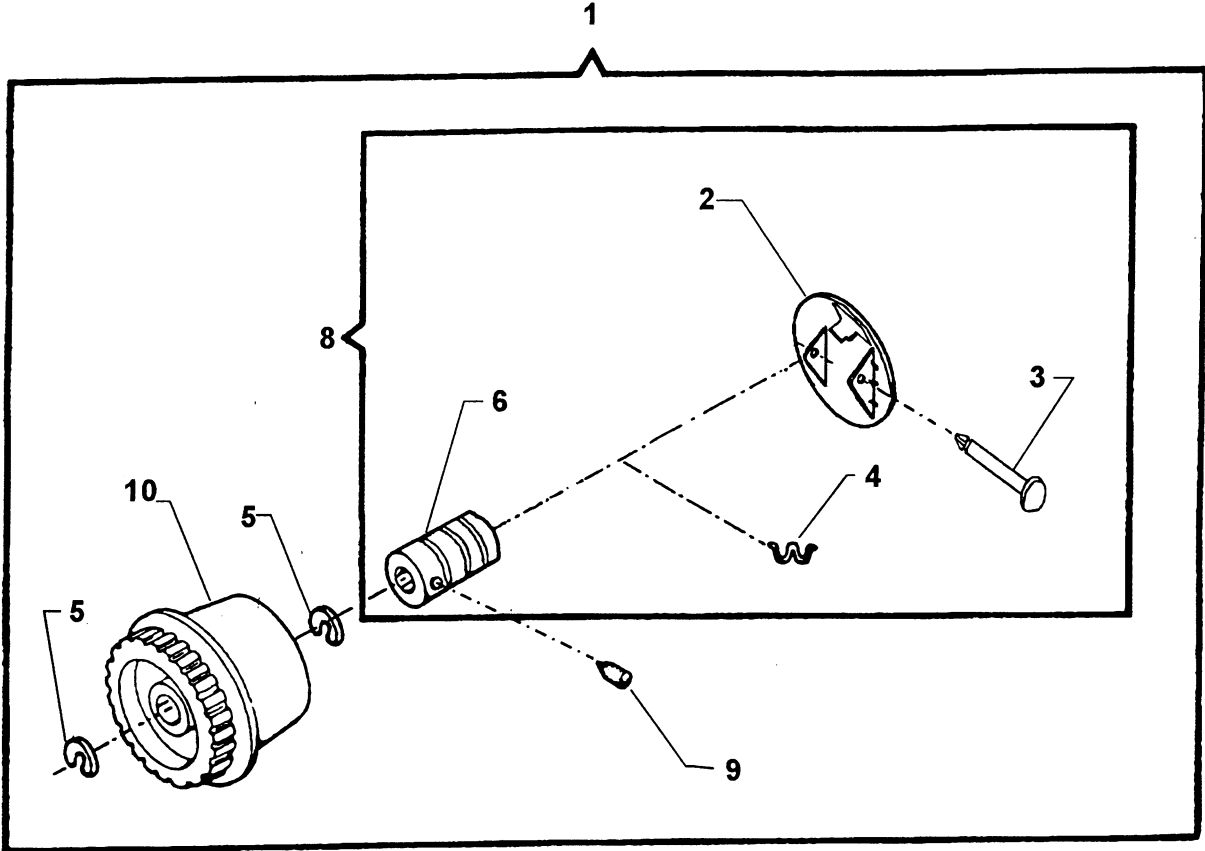
Adopt.

ARM SHAFT DRIVE



REV: _____
DATA: **DEC/98**

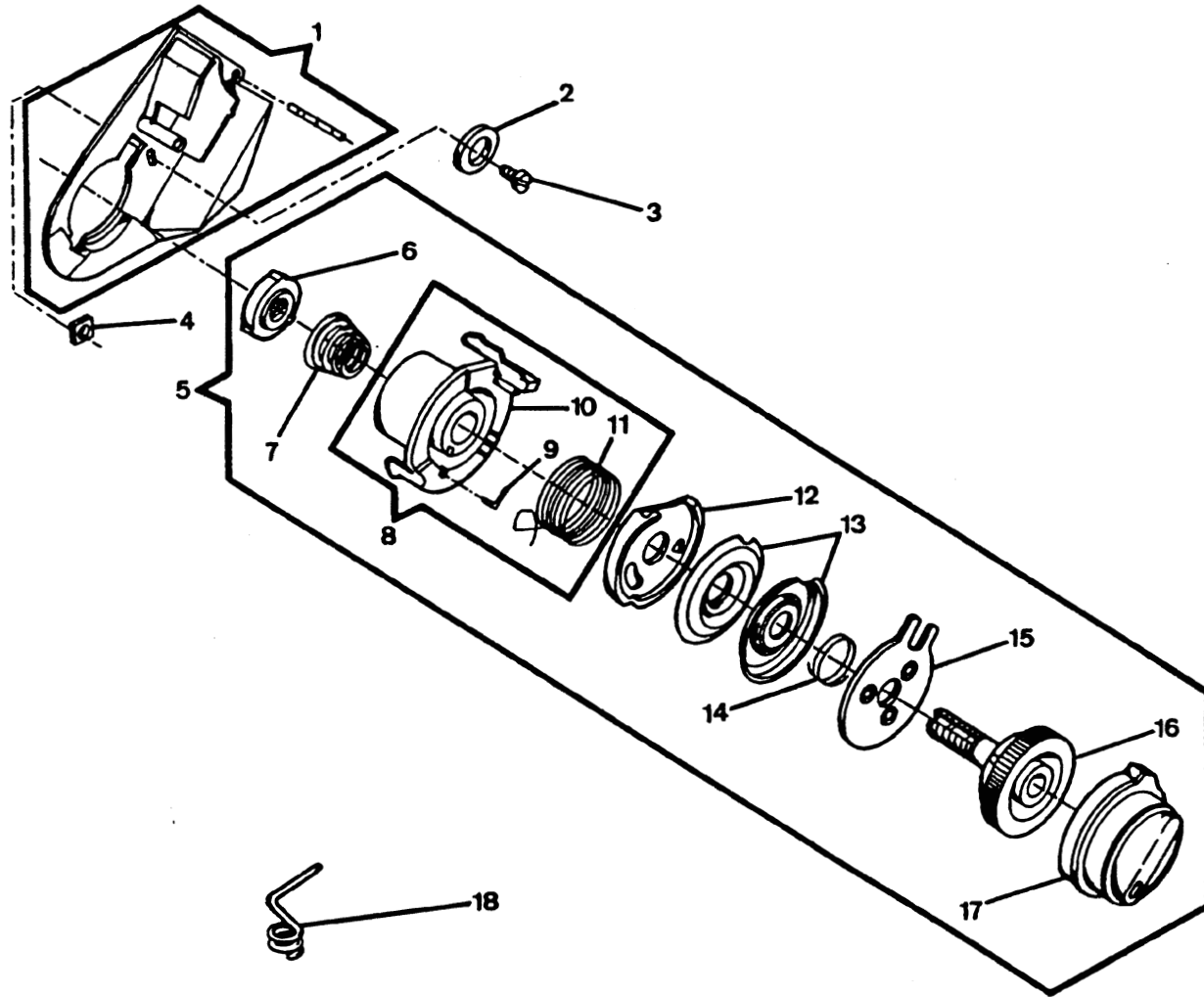
HAND WHEEL



REV: _____

DATA: **DEC/98**

TENSION MECHANISM



REV: _____
DATA: DEC/98

**PART LIST
TENSION MECHANISM**

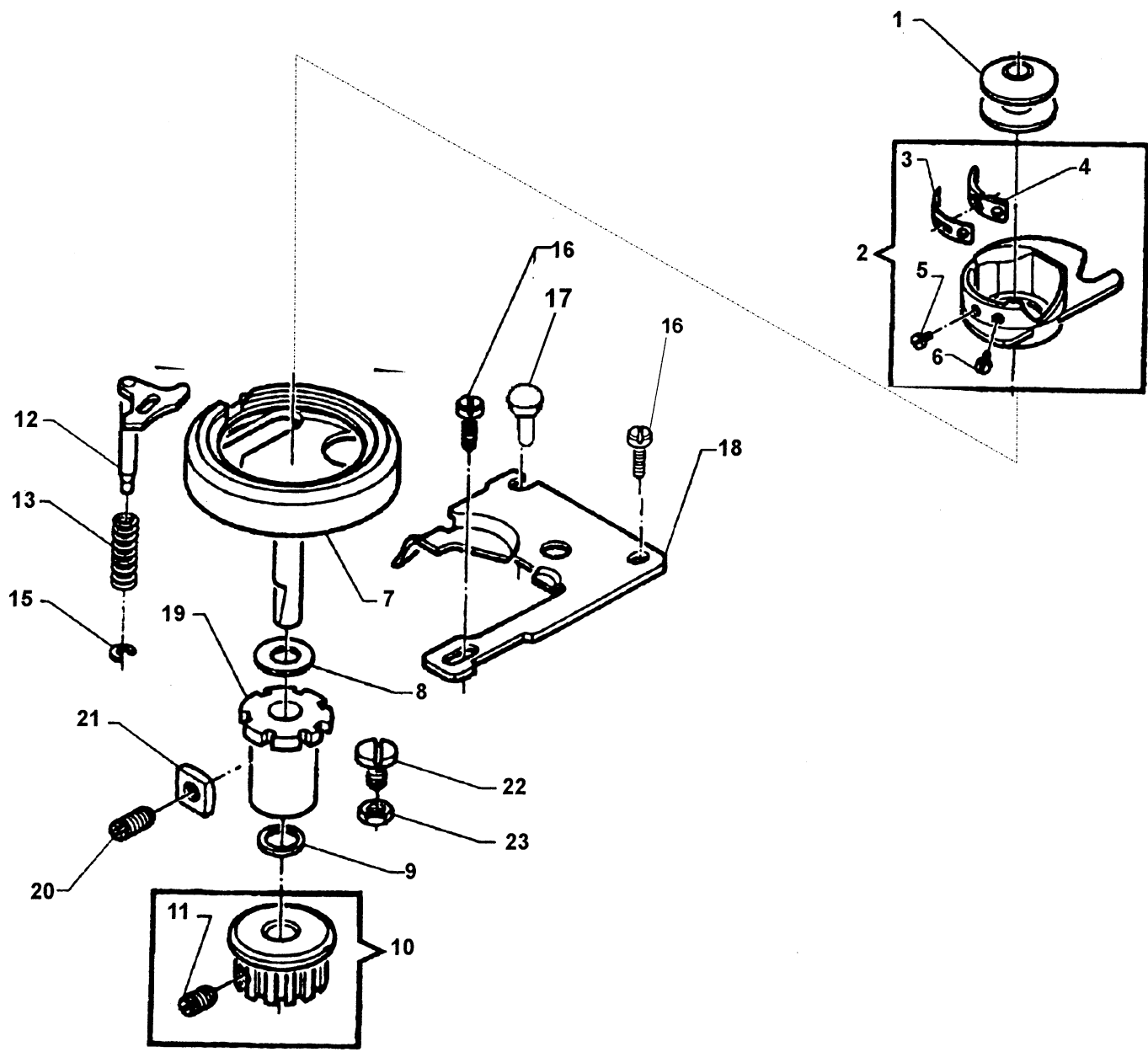
**4 5 5 5 5 5 5 5 5 5 5 6 7 7 5 5 8
6 8 8 8 8 8 8 8 8 8 8 6 2 2 7 7 2
2 0 0 0 0 1 1 1 1 1 2 2 1 1 8 8 2
0 2 5 6 8 0 2 4 6 7 8 0 0 1 2 1 2 0
7 0**

REF. PART NBR.

DESCRIPTION

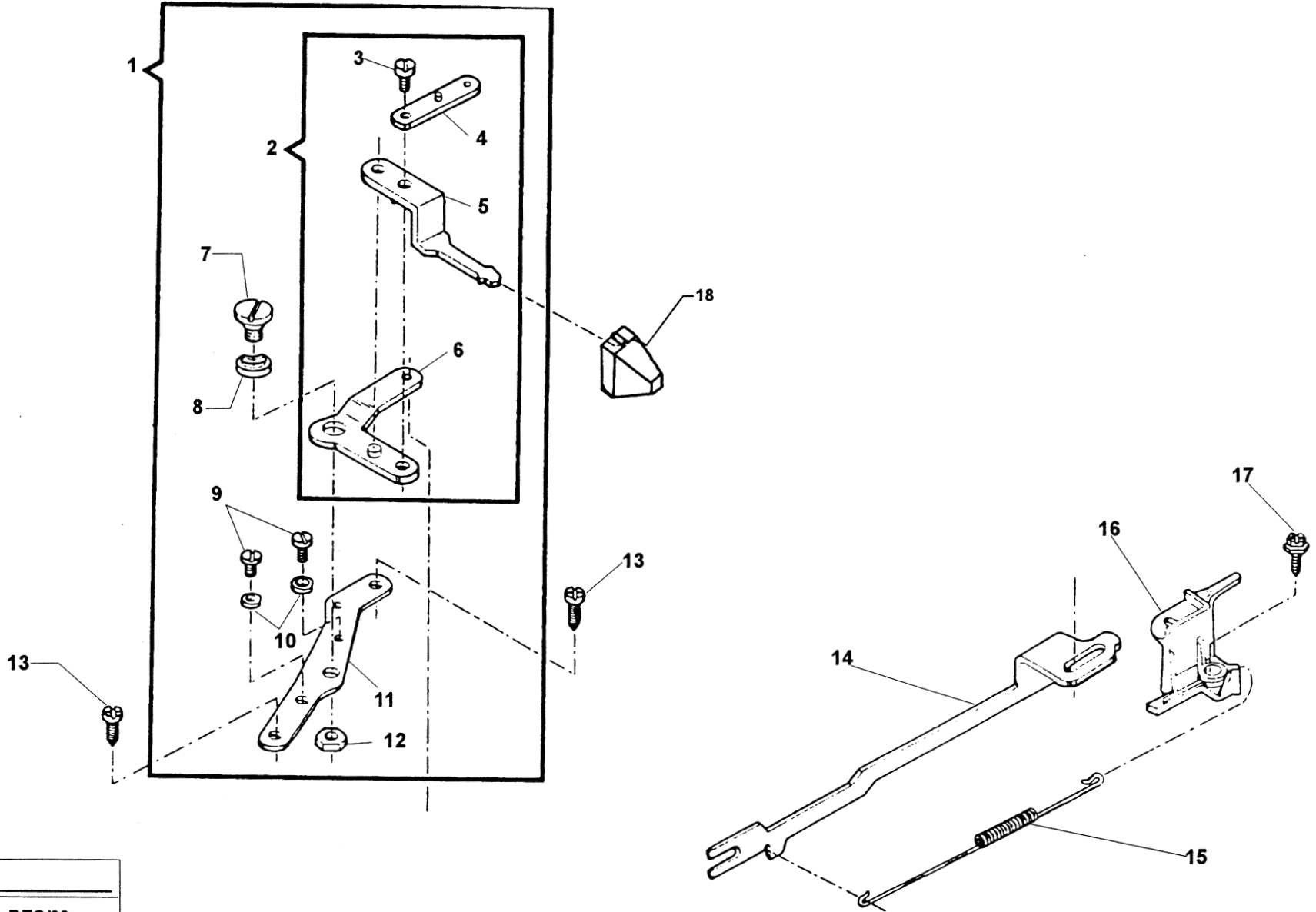
01	356040-452	TENSION MECHANISM SHROUDER ASSEMBLY	X	X	X	X	X	X	X	X	X	X	X	X	X	X	X	X
02	356443	TENSION MECHANISM SHROUDER SCREW WASHER	X	X	X	X	X	X	X	X	X	X	X	X	X	X	X	X
03	141808-457	TENSION THREAD GUIDE SCREW	X	X	X	X	X	X	X	X	X	X	X	X	X	X	X	X
04	514698-451	TENSION THREAD GUIDE SCREW NUT	X	X	X	X	X	X	X	X	X	X	X	X	X	X	X	X
05	356088-457	TENSION MECHANISM ASSEMBLY	X	X	X	X	X	X	X	X	X	X	X	X	X	X	X	X
06	356095	TENSION STUD NUT	X	X	X	X	X	X	X	X	X	X	X	X	X	X	X	X
07	356096	TENSION SPRING	X	X	X	X	X	X	X	X	X	X	X	X	X	X	X	X
08	356245	TENSION MECHANISM SUPPORT ASSEMBLY	X	X	X	X	X	X	X	X	X	X	X	X	X	X	X	X
09	356246-900	TENSION MECHANISM SUPPORT PIN	X	X	X	X	X	X	X	X	X	X	X	X	X	X	X	X
10	356089	TENSION MECHANISM SUPPORT	X	X	X	X	X	X	X	X	X	X	X	X	X	X	X	X
11	356097	THREAD TAKE-UP SPRING	X	X	X	X	X	X	X	X	X	X	X	X	X	X	X	X
12	356091	THREAD TAKE-UP SPRING THREAD GUARD	X	X	X	X	X	X	X	X	X	X	X	X	X	X	X	X
13	356094	TENSION DISC	X	X	X	X	X	X	X	X	X	X	X	X	X	X	X	X
14	356216	TENSION DISC PRESSURE PLATE SPRING	X	X	X	X	X	X	X	X	X	X	X	X	X	X	X	X
15	356177	TENSION DISC PRESSURE PLATE	X	X	X	X	X	X	X	X	X	X	X	X	X	X	X	X
16	356092-451	TENSION INDICATOR WITH STUD	X	X	X	X	X	X	X	X	X	X	X	X	X	X	X	X
17	356090-457	TENSION INDICATOR DIAL	X	X	X	X	X	X	X	X	X	X	X	X	X	X	X	X
18	445784	THREAD GUIDE (LOWER)	X	X	X	X	X	X	X	X	X	X	X	X	X	X	X	X

HOOK SYSTEM



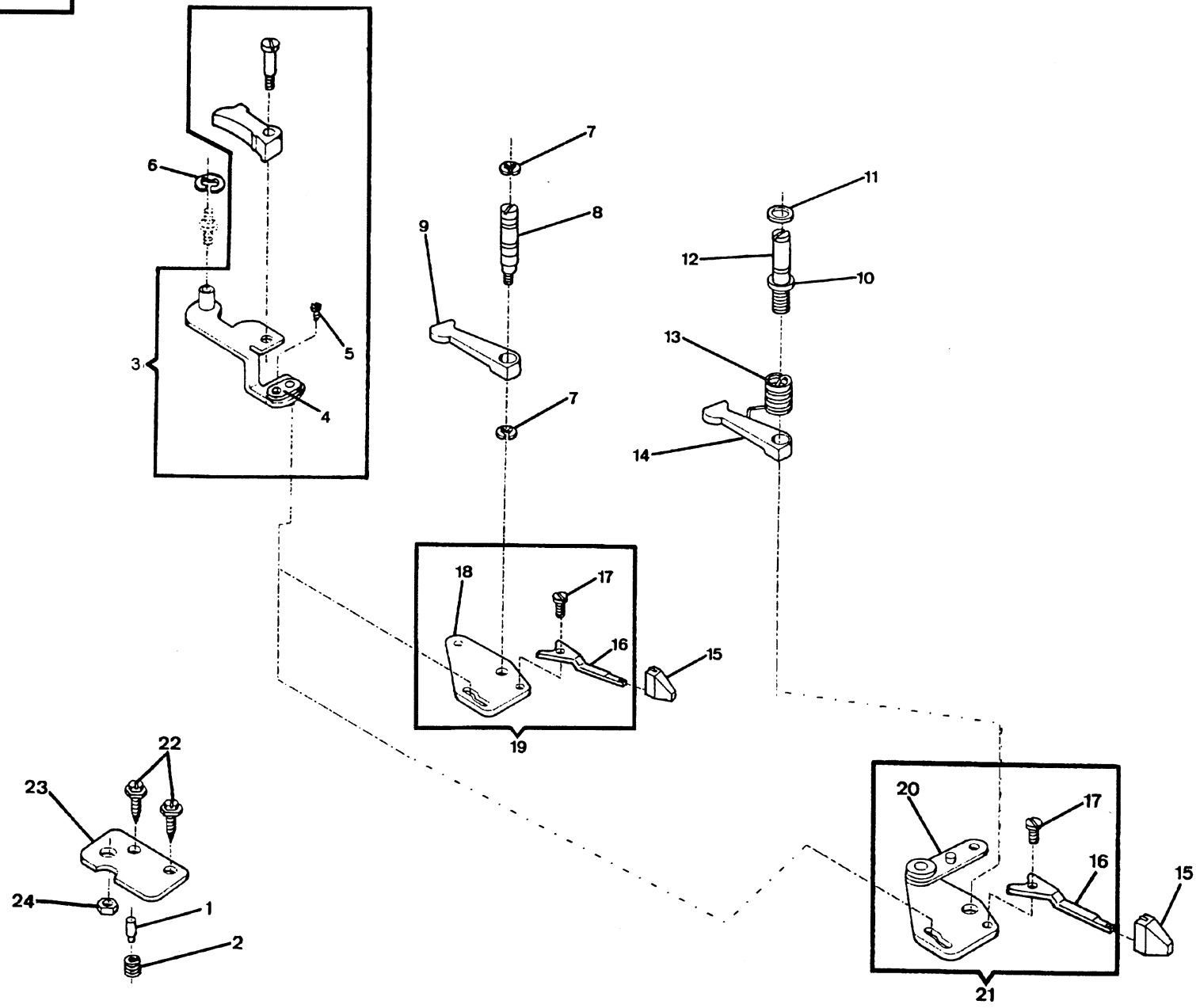
REV.: _____
DATA: DEC/98

BIGHT AMPLITUDE



REV: _____
DATA: DEC/98

NEEDLE POSITION



REV: _____
DATA: DEC/98

**PART LIST
NEEDLE POSITION**

**4 5 5 5 5 5 5 5 5 5 5 5 6 7 7 5 5 8
6 8 8 8 8 8 8 8 8 8 8 8 6 2 2 7 7 2
2 0 0 0 0 1 1 1 1 1 1 2 2 1 1 8 8 2
0 2 5 6 8 0 2 4 6 7 8 0 0 1 2 1 2 0
7 0**

REF. PART NBR.

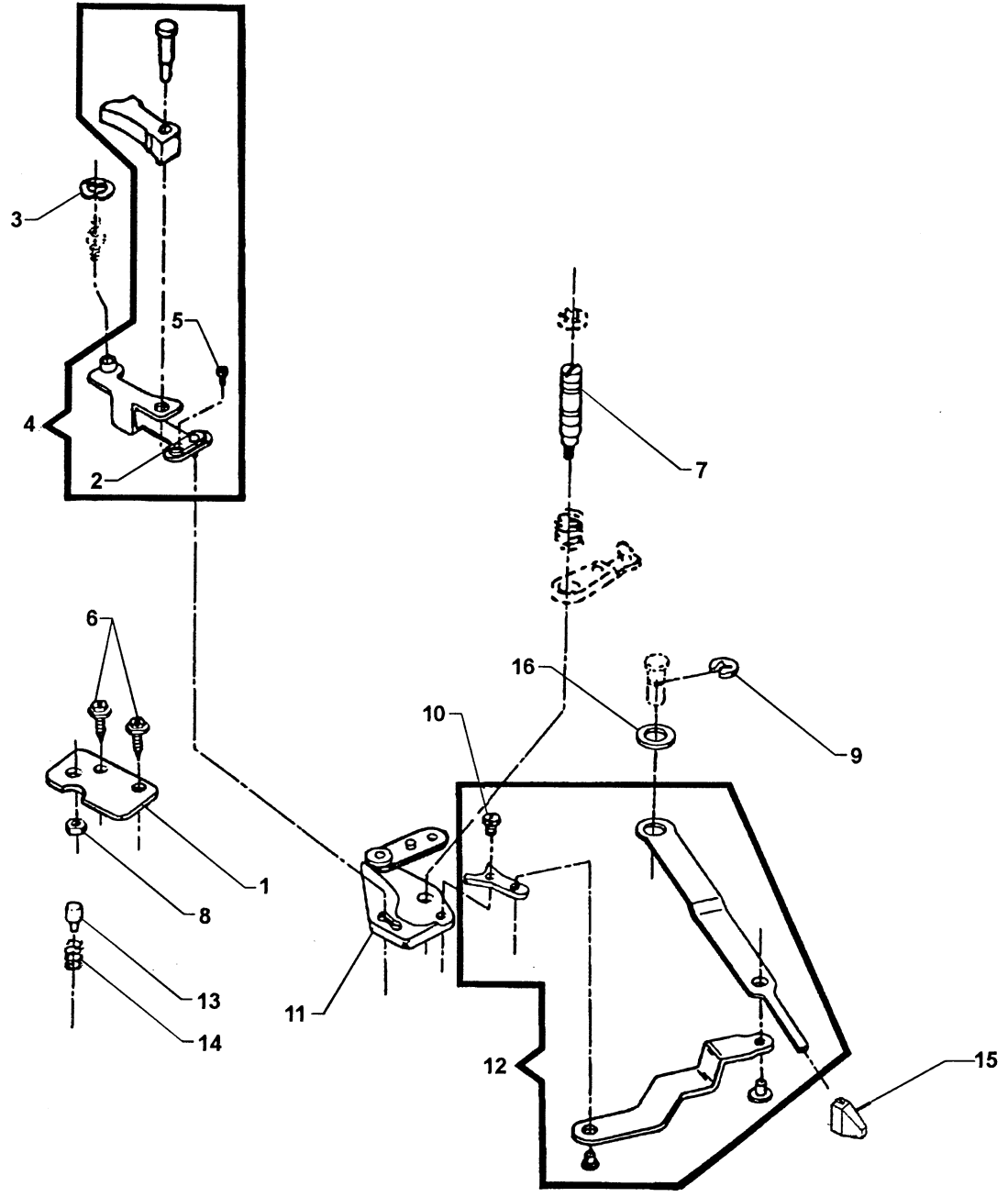
DESCRIPTION

01	356228	NEEDLE POSITION SELECTOR LEVER BRACKET POSITIONING PIN	X	X	X	X	X	X	X	X	X	X	X	X	X	X	X	X	X	
02	444800	NEEDLE POSITION SELECTOR LEVER BRACKET POSITIONING PIN SPRING	X	X	X	X	X	X	X	X	X	X	X	X	X	X	X	X	X	
03	356636	NEEDLE BAR DRIVING ARM SLIDE BRACKET ASSEMBLY	X	X	X	X	X	X	X	X	X	X	X	X	X	X	X	X	X	
04	531736	NEEDLE POSITION SELECTOR LEVER BRACKET FOLLOWER STUD ARM ASSEMBLY	X	X	X	X	X	X	X	X	X	X	X	X	X	X	X	X	X	
05	141913-451	NEEDLE POSITION LEVER BRACKET STUD ARM SET SCREW	X	X	X	X	X	X	X	X	X	X	X	X	X	X	X	X	X	
06	445721	NEEDLE BAR VIBRATING BRACKET HINGE PIN RETAINING RING	X	X	X	X	X	X	X	X	X	X	X	X	X	X	X	X	X	
07	44371	DISC FOLLOWER STUD RETAINING RING (UPPER & LOWER)	-	X	-	-	-	-	-	-	-	-	-	-	-	-	X	-	-	
08	446023	DISC FOLLOWER STUD	-	X	-	-	-	-	-	-	-	-	-	-	-	-	X	-	-	
09	445646	DISC FOLLOWER	-	X	-	-	-	-	-	-	-	-	-	-	-	-	X	-	-	
10	353585	DISC FOLLOWER STUD COLLAR	X	-	X	X	X	X	-	-	-	X	-	X	X	X	X	-	X	X
11	353548	DISC FOLLOWER STUD WASHER	X	-	X	X	X	X	-	-	-	X	-	X	X	X	X	-	X	X
12	353584	DISC FOLLOWER STUD	X	-	X	X	X	X	-	-	-	X	-	X	X	X	X	-	X	X
13	179897	DISC FOLLOWER SPRING	X	-	X	X	X	X	-	-	-	X	-	X	X	X	X	-	X	X
14	446404	DISC FOLLOWER	X	-	X	X	X	X	-	-	-	X	-	X	X	X	X	-	X	X
15	356204-453	NEEDLE POSITION SELECTOR LEVER KNOB	X	X	X	X	X	X	-	-	-	X	-	X	X	X	X	X	X	X
16	356065	NEEDLE POSITION SELECTOR LEVER	X	X	X	X	X	X	-	-	-	X	-	X	X	X	X	X	X	X
17	141913-451	NEEDLE POSITION SELECTOR LEVER SCREW	X	X	X	X	X	X	X	X	X	X	X	X	X	X	X	X	X	X
18	353547	NEEDLE POSITION SELECTOR LEVER BRACKET	-	X	-	-	-	-	-	-	-	-	-	-	-	-	-	X	-	-
19	356063	NEEDLE POSITION SELECTOR LEVER ASSEMBLY	-	X	-	-	-	-	-	-	-	-	-	-	-	-	-	X	-	-
20	44628	NEEDLE POSITION SELECTOR LEVER BRACKET	X	X	X	X	X	X	X	X	X	X	X	X	X	X	X	X	X	X
21	356062	NEEDLE POSITION SELECTOR LEVER BRACKET COMPLETE	X	-	X	X	X	X	-	-	-	X	-	X	X	X	X	-	X	X
22	113455-001	NEEDLE POSITION SELECTOR LEVER MOUNTING PLATE SCREW	X	X	X	X	X	X	X	X	X	X	X	X	X	X	X	X	X	X
23	446401	NEEDLE POSITION SELECTOR LEVER MOUNTING PLATE	X	X	X	X	X	X	X	X	X	X	X	X	X	X	X	X	X	X
24	54591-451	DISC FOLLOWER STUD NUT	X	X	X	X	X	X	X	X	X	X	X	X	X	X	X	X	X	X

**5800 series, 4620, 6220, 7211, 7212, 57817 series, 8220 models.
P/N 357668-001**

Adopt.

NEEDLE POSITION



REV: _____
DATA: DEC/98

**PART LIST
NEEDLE POSITION**

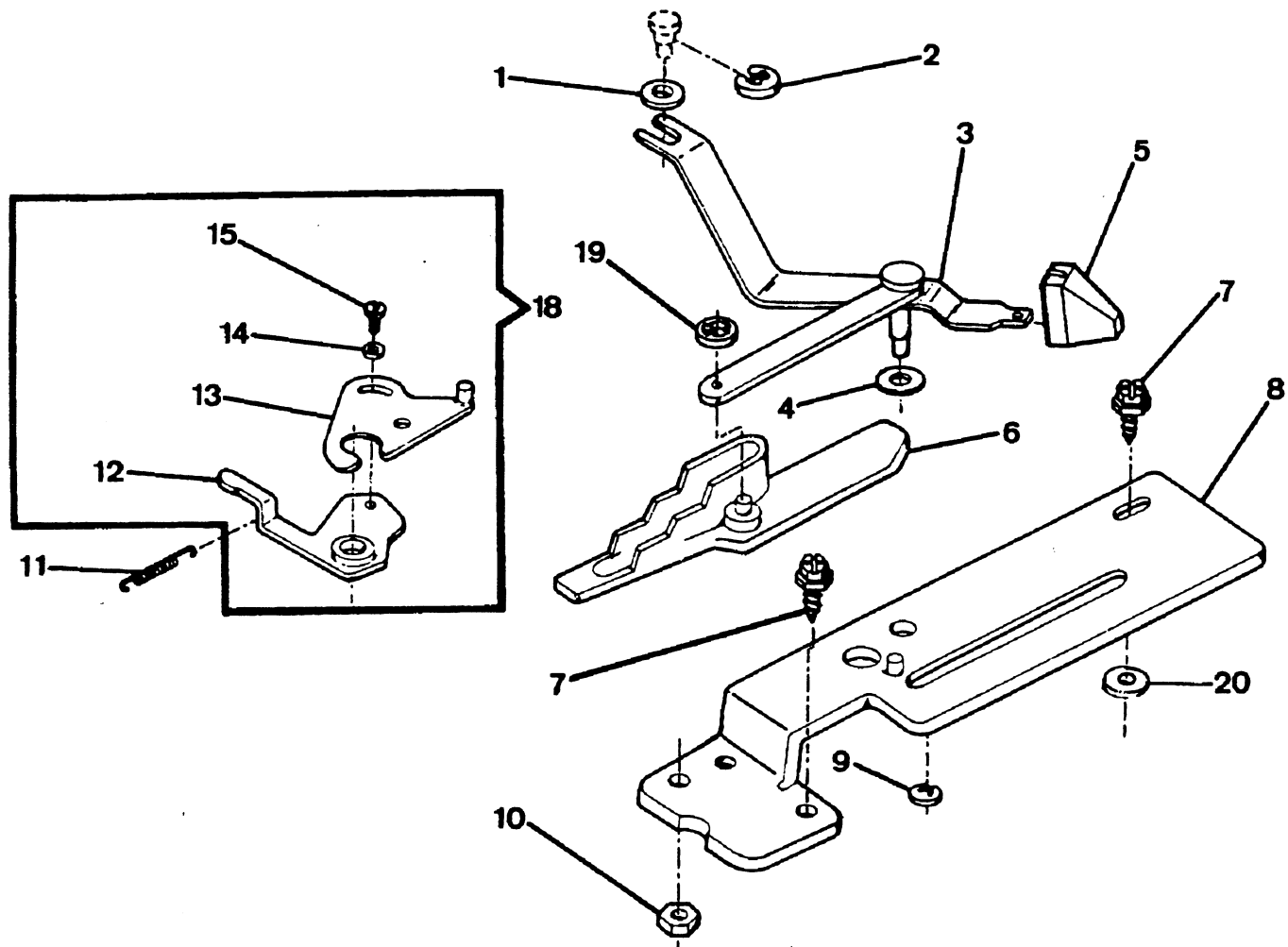
**4 5 5 5 5 5 5 5 5 5 5 6 7 7 5 5 8
6 8 8 8 8 8 8 8 8 8 8 6 2 2 7 7 2
2 0 0 0 0 1 1 1 1 1 1 2 2 1 1 8 8 2
0 2 5 6 8 0 2 4 6 7 8 0 0 1 2 1 2 0
7 0**

REF. PART NBR.	DESCRIPTION																			
01 446401	NEEDLE POSITION SELECTOR LEVER ADJUSTING PLATE	X	X	X	X	X	X	X	X	X	X	X	X	X	X	X	X	X	X	X
02 531736	NEEDLE POSITION SELECTOR LEVER BRACKET FOLLOWER STUD ARM ASSEMBLY	X	X	X	X	X	X	X	X	X	X	X	X	X	X	X	X	X	X	X
03 445721	NEEDLE BAR DRIVING ARM SLIDE BRACKET RETAINING RING	X	X	X	X	X	X	X	X	X	X	X	X	X	X	X	X	X	X	X
04 356735-001	NEEDLE BAR DRIVING ARM SLIDE BRACKET COMPLETE	-	-	-	-	-	X	X	X	-	X	-	-	-	-	-	-	-	-	-
05 141913-451	NEEDLE POSITION LEVER BRACKET STUD ARM SET SCREW	X	X	X	X	X	X	X	X	X	X	X	X	X	X	X	X	X	X	X
06 113455-001	NEEDLE POSITION SELECTOR LEVER ADJUSTING PLATE SCREW	X	X	X	X	X	X	X	X	X	X	X	X	X	X	X	X	X	X	X
07 356774-900	DISC FOLLOWER STUD	-	-	-	-	-	X	X	X	-	X	-	-	-	-	-	-	-	-	-
08 54591-451	NEEDLE POSITION SELECTOR LEVER ADJUSTING PLATE SCREW NUT	X	X	X	X	X	X	X	X	X	X	X	X	X	X	X	X	X	X	X
09 445486	NEEDLE POSITION SELECTOR LEVER RETAINING RING	-	-	-	-	-	X	X	X	-	X	-	-	-	-	-	-	-	-	-
10 141913-451	NEEDLE POSITION SELECTOR LEVER SCREW	X	X	X	X	X	X	X	X	X	X	X	X	X	X	X	X	X	X	X
11 44628	NEEDLE POSITION SELECTOR LEVER BRACKET ASSEMBLY	X	X	X	X	X	X	X	X	X	X	X	X	X	X	X	X	X	X	X
12 356812	NEEDLE POSITION SELECTOR LEVER COMPLETE	-	-	-	-	-	X	X	X	-	X	-	-	-	-	-	-	-	-	-
13 356228	NEEDLE POSITION SELECTORLEVER BRACKET POSITIONING PIN	X	X	X	X	X	X	X	X	X	X	X	X	X	X	X	X	X	X	X
14 444800	NEEDLE POSITION SELECTOR LEVER BRACKET POSITIONING PIN SPRING	X	X	X	X	X	X	X	X	X	X	X	X	X	X	X	X	X	X	X
15 356204-453	NEEDLE POSITION SELECTOR LEVER KNOB	-	-	-	-	-	X	X	X	-	X	-	-	-	-	-	-	-	-	-
16 444923-454	NEEDLE POSITION SELECTOR LEVER HINGE STUD WASHER	-	-	-	-	-	X	X	X	-	X	-	-	-	-	-	-	-	-	-

**5800 series, 4620, 6220, 7211, 7212, 57817 series, 8220 models.
P/N 357668-001**

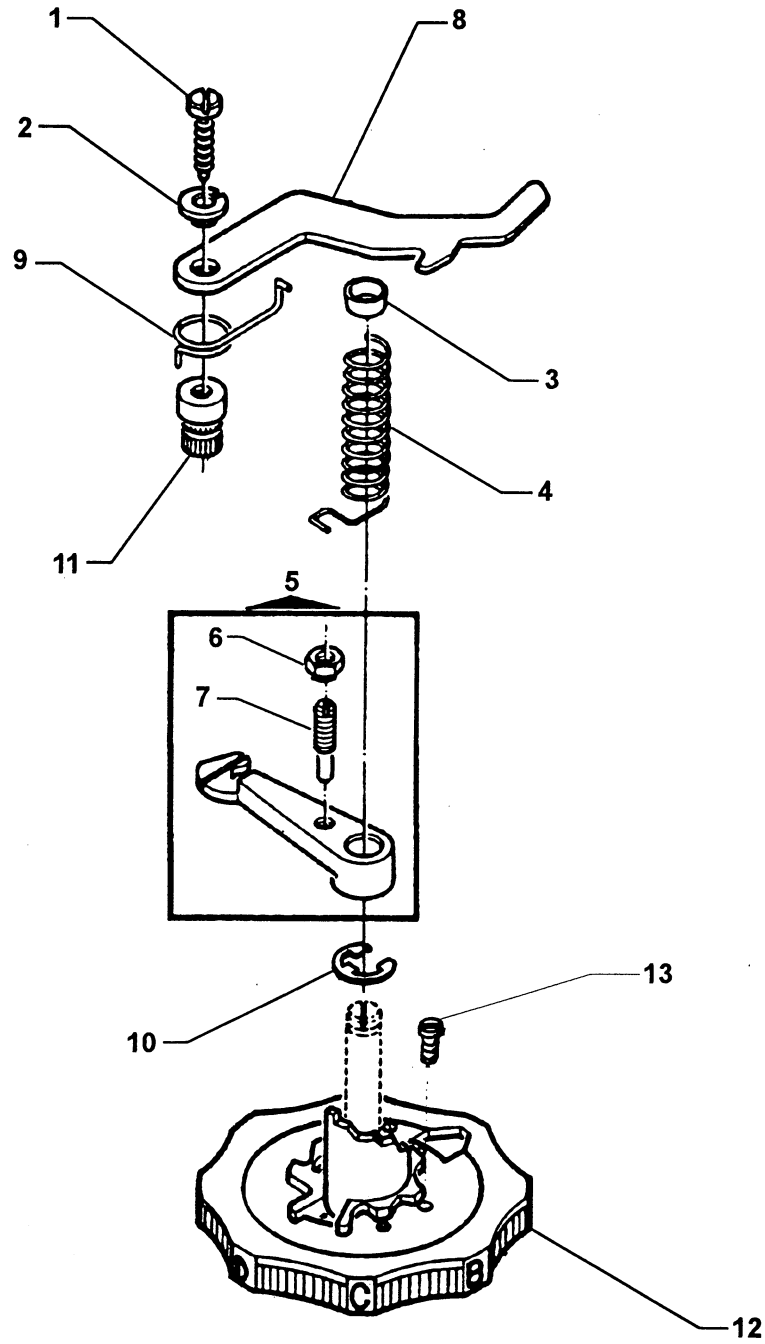
Adopt.

DISC SELECTOR ASSEMBLY



REV: _____
DATA: DEC/98

PATTERN SELECTOR



REV: _____
DATA: DEC/98

**PART LIST
PATTERN SELECTOR**

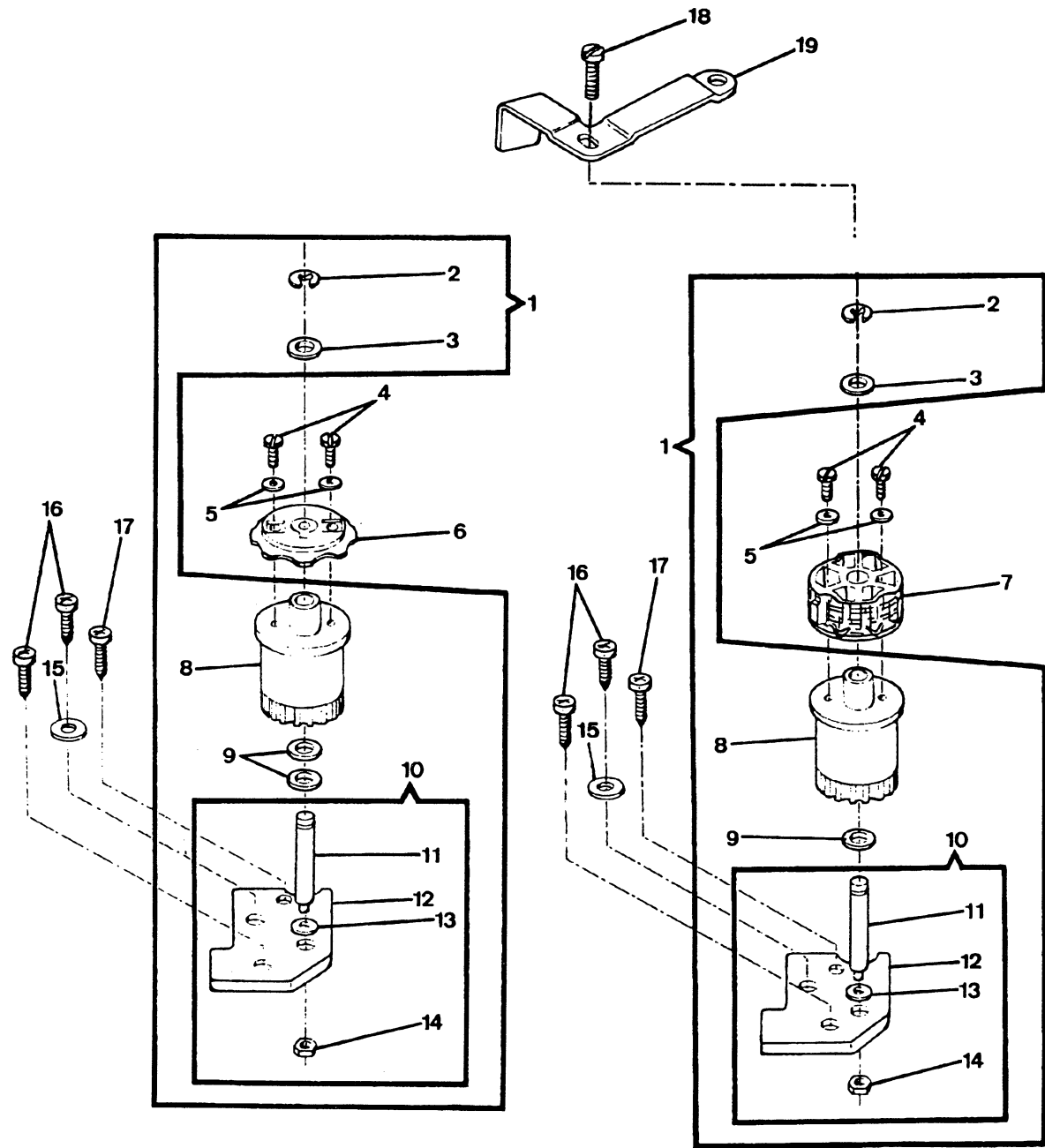
4 5 5 5 5 5 5 5 5 5 5 5 6 7 7 5 5 8
 6 8 8 8 8 8 8 8 8 8 8 8 6 2 2 7 7 2
 2 0 0 0 0 1 1 1 1 1 1 2 2 1 1 8 8 2
 0 2 5 6 8 0 2 4 6 7 8 0 0 1 2 1 2 0
 7 0

REF. PART NBR.	DESCRIPTION																	
01 354826-451	DISC FOLLOWER DISENGAGING LEVER SCREW	-	-	-	-	-	-	X	X	X	-	X	-	-	-	-	-	-
02 356751	DISC FOLLOWER DISENGAGING LEVER BUSHING	-	-	-	-	-	-	X	X	X	-	X	-	-	-	-	-	-
03 353548	DISC FOLLOWER STUD WASHER	-	-	-	-	-	-	X	X	X	-	X	-	-	-	-	-	-
04 356768	DISC FOLLOWER SPRING	-	-	-	-	-	-	X	X	X	-	X	-	-	-	-	-	-
05 356770	DISC FOLLOWER COMPLETE	-	-	-	-	-	-	X	X	X	-	X	-	-	-	-	-	-
06 531669-451	DISC FOLLOWER ADJUSTING SCREW STUD NUT	-	-	-	-	-	-	X	X	X	-	X	-	-	-	-	-	-
07 445341	DISC FOLLOWER ADJUSTNG SCREW STUD	-	-	-	-	-	-	X	X	X	-	X	-	-	-	-	-	-
08 356750	DISC FOLLOWER DISENGAGING LEVER	-	-	-	-	-	-	X	X	X	-	X	-	-	-	-	-	-
09 356752	DISC FOLLOWER DISENGAGING LEVER SPRING	-	-	-	-	-	-	X	X	X	-	X	-	-	-	-	-	-
10 444921	DISC SELECTOR CAM RETAINING RING	-	-	-	-	-	-	X	X	X	-	X	-	-	-	-	-	-
11 356753	DISC FOLLOWER DISENGAGING LEVER STUD	-	-	-	-	-	-	X	X	X	-	X	-	-	-	-	-	-
12 356749-461	PATTERN SELECTOR CAM/DIAL	-	-	-	-	-	-	X	X	X	-	X	-	-	-	-	-	-
13 354810-451	PATTERN SELECTOR CAM POSITIONER SCREW	-	-	-	-	-	-	X	X	X	-	-	-	-	-	-	-	-

5800 series, 4620, 6220, 7211, 7212, 57817 series, 8220 models.
 P/N 357668-001

Adopt.

CAM STACK



REV.: _____
DATA: DEC/98

**PART LIST
CAM STACK**

**4 5 5 5 5 5 5 5 5 5 5 5 6 7 7 5 5 8
6 8 8 8 8 8 8 8 8 8 8 8 6 2 2 7 7 2
2 0 0 0 0 1 1 1 1 1 1 2 2 1 1 8 8 2
0 2 5 6 8 0 2 4 6 7 8 0 0 1 2 1 2 0
7 0**

REF. PART NBR.

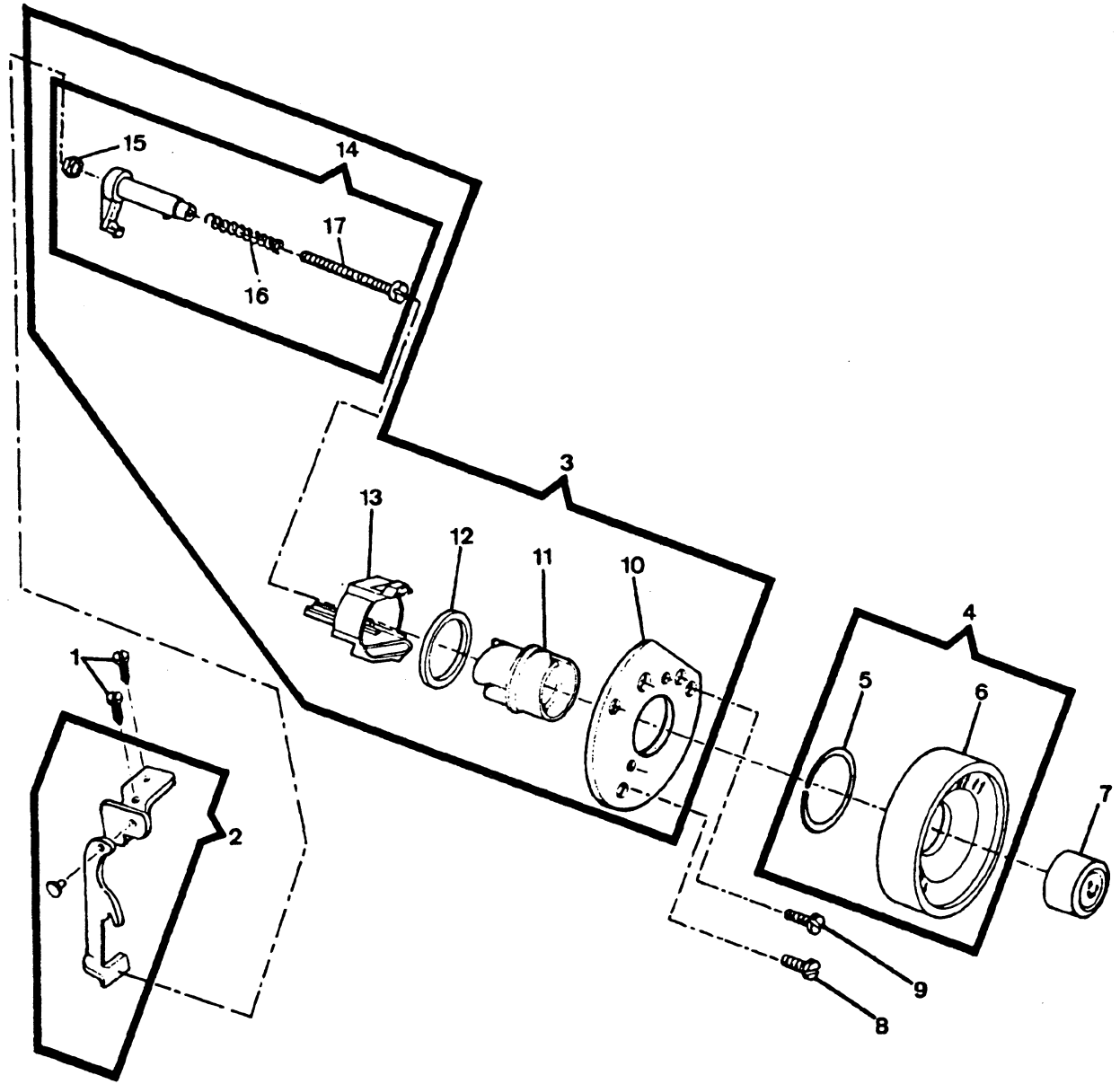
DESCRIPTION

01	446421-930	DISC DRIVING GEAR COMPLETE	-	X	-	-	-	-	-	-	-	-	-	-	-	-	X	-	X	-	-
01	353288-930	DISC DRIVING GEAR COMPLETE	-	-	X	-	-	-	-	-	-	X	-	-	-	-	-	X	-	X	-
01	353288-931	DISC DRIVING GEAR COMPLETE	X	-	-	X	X	X	-	-	-	-	X	X	-	-	-	-	-	-	X
01	356739	DISC DRIVING GEAR COMPLETE	-	-	-	-	-	-	X	X	X	-	X	-	-	-	-	-	-	-	-
02	444921	DISC DRIVING GEAR RETAINING RING	X	X	X	X	X	X	X	X	X	X	X	X	X	X	X	X	X	X	X
03	444923-453	DISC DRIVING GEAR SHAFT FRICTION WASHER	X	X	X	X	X	X	X	X	X	X	X	X	X	X	X	X	X	X	X
04	113375-451	DISC STACK POSITIONING SCREW	-	X	-	-	-	-	-	-	-	-	-	-	-	-	X	-	X	-	-
04	141920-451	DISC STACK POSITIONING SCREW	X	-	X	X	X	X	X	X	X	X	X	X	X	-	X	-	X	X	X
05	446138	DISC STACK POSITIONING SCREW WASHER	X	X	X	X	X	X	X	X	X	X	X	X	X	X	X	X	X	X	X
06	445762	DISC STACK (PLASTIC)	-	X	-	-	-	-	-	-	-	-	-	-	-	-	-	-	X	-	-
07	353287	DISC STACK	X	-	X	X	X	X	-	-	-	X	-	X	X	X	X	X	X	X	X
07	356740	DISC STACK	-	-	-	-	-	-	X	X	X	-	X	-	-	-	-	-	-	-	-
08	179958	DISC DRIVING GEAR	-	X	-	-	-	-	-	-	-	-	-	-	-	-	X	-	X	-	-
08	445754	DISC DRIVING GEAR	X	-	X	X	X	X	-	-	-	X	-	X	X	-	X	-	X	X	X
08	356741	DISC DRIVING GEAR	-	-	-	-	-	-	X	X	X	-	X	-	-	-	-	-	-	-	-
09	353424	DISC DRIVING GEAR SHAFT SPACER	X	X	X	X	X	X	X	X	X	X	X	X	X	X	X	X	X	X	X
10	446420	DISC DRIVING GEAR SHAFT MOUNTING PLATE ASSEMBLY	-	X	X	-	-	-	-	-	-	X	-	-	-	-	X	X	X	X	-
10	446420-001	DISC DRIVING GEAR SHAFT MOUNTING PLATE ASSEMBLY	X	-	-	X	X	X	-	-	-	-	X	X	-	-	-	-	-	-	X
10	531742	DISC DRIVING GEAR SHAFT MOUNTING PLATE ASSEMBLY	-	-	-	-	-	-	X	X	X	-	X	-	-	-	-	-	-	-	-
11	446418	DISC DRIVING GEAR SHAFT	-	X	X	-	-	-	-	-	-	X	-	-	-	-	X	X	X	X	-
11	446418-001	DISC DRIVING GEAR SHAFT	X	-	-	X	X	X	-	-	-	-	X	X	-	-	-	-	-	-	X
11	531743	DISC DRIVING GEAR SHAFT	-	-	-	-	-	-	X	X	X	-	X	-	-	-	-	-	-	-	-
12	353575	DISC DRIVING GEAR SHAFT MOUNTING PLATE	X	X	X	X	X	X	X	X	X	X	X	X	X	X	X	X	X	X	X
13	353488	DISC DRIVING GEAR SHAFT WASHER	X	X	X	X	X	X	X	X	X	X	X	X	X	X	X	X	X	X	X
14	53648-451	DISC DRIVING GEAR SHAFT NUT	X	X	X	X	X	X	X	X	X	X	X	X	X	X	X	X	X	X	X
15	353375-451	DISC DRIVING GEAR SHAFT MOUNTING PLATE SCREW WASHER	X	X	X	X	X	X	X	X	X	X	X	X	X	X	X	X	X	X	X
16	113435-451	DISC DRIVING GEAR SHAFT MOUNTING PLATE SCREW	X	X	X	X	X	X	X	X	X	X	X	X	X	X	X	X	X	X	X
17	113455-001	DISC DRIVING GEAR SHAFT MOUNTING PLATE SCREW	X	X	X	X	X	X	X	X	X	X	X	X	X	X	X	X	X	X	X
18	354654-451	DISC DRIVING GEAR (COMPLETE) SUPPORT MOUNTING SCREW	X	-	-	X	X	X	X	X	X	-	X	X	X	X	X	X	X	-	-
19	353440-900	DISC DRIVING GEAR (COMPLETE) SUPPORT BRACKET	X	-	-	X	X	X	-	-	-	-	X	X	X	X	X	X	X	-	-
19	356778	DISC DRIVING GEAR(COMPLETE)SUPPORT BRACKET	-	-	-	-	-	-	X	X	X	-	X	-	-	-	-	-	-	-	-

**5800 series, 4620, 6220, 7211, 7212, 57817 series, 8220 models.
P/N 357668-001**

Adopt.

FEED REGULATOR CAM



REV.: _____
DATA: DEC/98

PART LIST
FEED REGULATOR CAM

4 5 5 5 5 5 5 5 5 5 5 5 6 7 7 5 5 8
6 8 8 8 8 8 8 8 8 8 8 8 6 2 2 7 7 2
2 0 0 0 0 1 1 1 1 1 1 2 2 1 1 8 8 2
0 2 5 6 8 0 2 4 6 7 8 0 0 1 2 1 2 0
7 0

REF. PART NBR

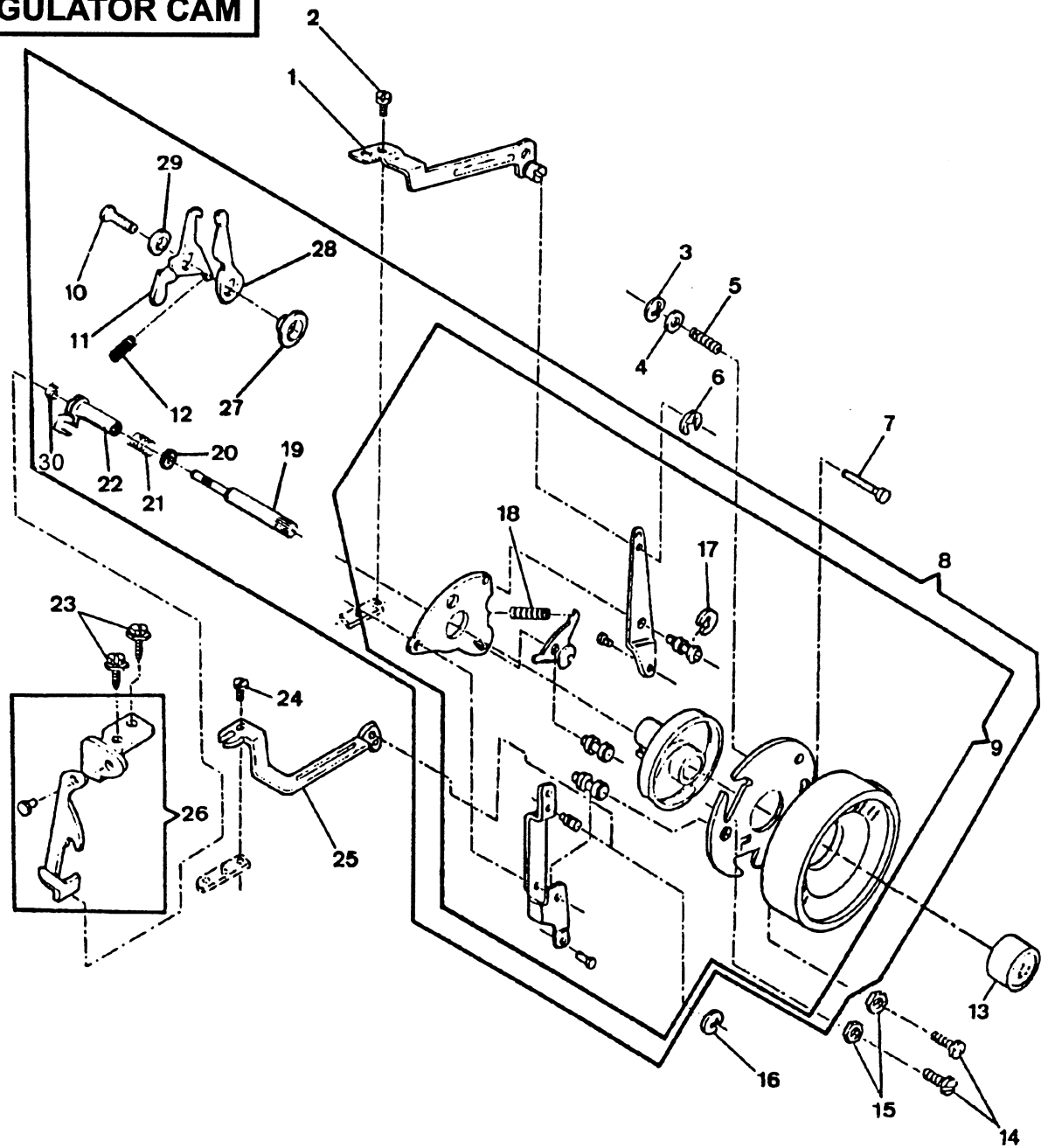
DESCRIPTION

REF. PART NBR	DESCRIPTION	4	5	5	5	5	5	5	5	5	5	5	6	7	7	5	5	8
01 113455-001	FEED REGULATOR CONTROL ARM MOUNTING BRACKET SCREW	X	X	X	X	X	X	X	X	X	X	X	X	X	X	X	X	X
02 353304	FEED REGULATOR CONTROL ARM ASSEMBLY	X	X	X	X	X	X	X	X	X	X	X	X	X	X	X	X	X
03 353478	FEED REGULATOR CAM	-	X	-	-	-	-	-	-	-	-	-	-	-	-	X	-	-
04 356066-452	FEED REGULATOR CONTROL DIAL ASSEMBLY	-	X	-	-	-	-	-	-	-	-	-	-	-	-	X	-	-
05 445461	FEED REGULATOR CONTROL DIAL RETAINING RING	-	X	-	-	-	-	-	-	-	-	-	-	-	-	X	-	-
06 356067-452	FEED REGULATOR CONTROL DIAL	-	X	-	-	-	-	-	-	-	-	-	-	-	-	X	-	-
07 356115-452	FEED REGULATOR POSITIONING PIN KNOB	-	X	-	-	-	-	-	-	-	-	-	-	-	-	X	-	-
08 531807-451	FEED REGULATOR MOUNTING PLATE SCREW (LEFT)	-	X	-	-	-	-	-	-	-	-	-	-	-	-	X	-	-
09 531806-451	FEED REGULATOR MOUNTING PLATE SCREW (RIGHT)	-	X	-	-	-	-	-	-	-	-	-	-	-	-	X	-	-
10 446283	FEED REGULATOR MECHANISM MOUNTING PLATE	-	X	-	-	-	-	-	-	-	-	-	-	-	-	X	-	-
11 353477	FEED REGULATOR CAM (PLASTIC)	-	X	-	-	-	-	-	-	-	-	-	-	-	-	X	-	-
12 446282	FEED REGULATOR FRICTION WASHER	-	X	-	-	-	-	-	-	-	-	-	-	-	-	X	-	-
13 446284	FEED REGULATOR MOUNTING PLATE	-	X	-	-	-	-	-	-	-	-	-	-	-	-	X	-	-
14 356397	FEED REGULATOR CAM FOLLOWER ASSEMBLY	-	X	-	-	-	-	-	-	-	-	-	-	-	-	X	-	-
15 618638-005	FEED REGULATOR CAM FOLLOWER POSITIONING SPRING NUT	X	X	X	X	X	X	X	X	X	X	X	X	X	X	X	X	X
16 44892	FEED REGULATOR CAM FOLLOWER POSITIONING SPRING	X	X	X	X	X	X	X	X	X	X	X	X	X	X	X	X	X
17 354975	FEED REGULATOR CAM FOLLOWER POSITIONING SCREW	-	X	-	-	-	-	-	-	-	-	-	-	-	-	X	-	-

5800 series, 4620, 6220, 7211, 7212, 57817 series, 8220 models.
P/N 357668-001

Adopt.

BUTTONHOLER & FEED REGULATOR CAM



REV: _____
DATA: DEC/98

**PART LIST
CAM CONTROLLED FEED**

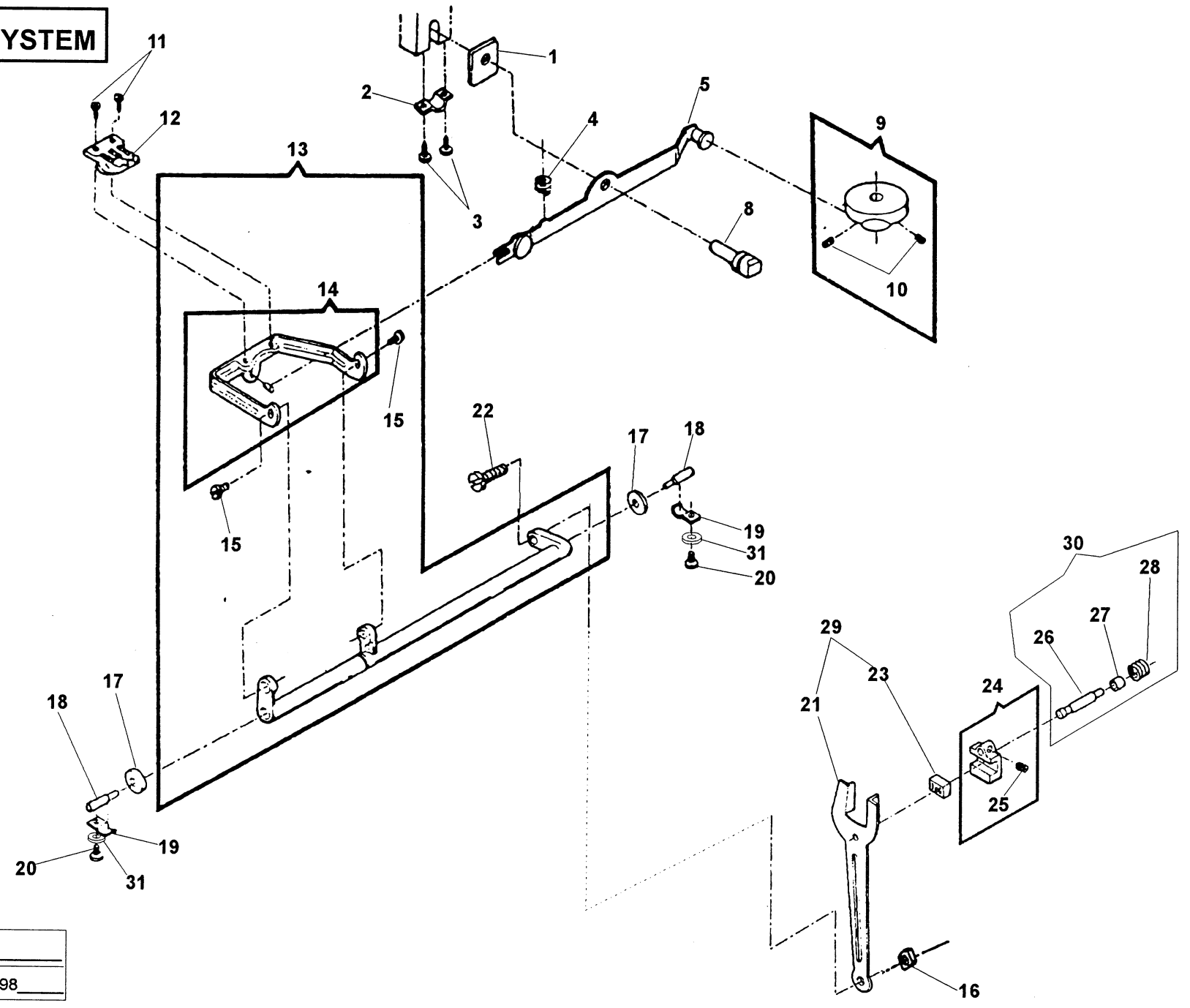
**4 5 5 5 5 5 5 5 5 5 5 5 6 7 7 5 5 8
6 8 8 8 8 8 8 8 8 8 8 8 6 2 2 7 7 2
2 0 0 0 0 1 1 1 1 1 1 2 2 1 1 8 8 2
0 2 5 6 8 0 2 4 6 7 8 0 0 1 2 1 2 0
7 0**

REF. PART NBR.

DESCRIPTION

01	356074	CAM CONTROLLED FEED MOUNTING BRACKET COMPLETE	X	-	-	X	X	X	X	X	X	X	-	X	X	X	X	X	-	-	X
02	141913-451	CAM CONTROLLED FEED BALANCE ADJUSTING SCREW	X	-	-	X	X	X	X	X	X	X	-	X	X	X	X	X	-	-	X
03	113423-451	CAM CONTROLLED FEED BALANCE ADJ. SPRING HINGE SCREW	X	-	-	X	X	X	X	X	X	X	-	X	X	X	X	X	-	-	X
04	543531	CAM CONTROLLED FEED BALANCE ADJUSTING SCREW WASHER	X	-	-	X	X	X	X	X	X	X	-	X	X	X	X	X	-	-	X
05	353492	CAM CONTROLLED FEED BALANCE ADJUSTING SCREW SPRING WASHER	X	-	-	X	X	X	X	X	X	X	-	X	X	X	X	X	-	-	X
06	531754	CAM CONTROLLED FEED BALANCE ADJUSTING PLATE	X	-	-	X	X	X	X	X	X	X	-	X	X	X	X	X	-	-	X
07	113424-451	CAM CONTROLLED FEED BALANCE ADJUSTING LEVER HINGE SCREW	X	-	-	X	X	X	X	X	X	X	-	X	X	X	X	X	-	-	X
08	353331	CAM CONTROLLED FEED DRIVING ARM ECCENTRIC	X	-	-	X	X	X	X	X	X	X	-	X	X	X	X	X	-	-	X
09	179898-001	CAM CONTROLLED FEED BALANCE ADJUSTING LEVER WASHER	X	-	-	X	X	X	X	X	X	X	-	X	X	X	X	X	-	-	X
10	356076-452	CAM CONTROLLED FEED BALANCE ADJUSTING LEVER	X	-	-	X	X	X	X	X	X	X	-	X	X	X	X	X	-	-	X
11	353330-001	CAM CONTROLLED FEED DRIVING ARM	X	-	-	X	X	X	X	X	X	X	-	X	X	X	X	X	-	-	X
12	353334	CAM CONTROLLED FEED BALANCE ADJUSTING LEVER MOUNTING BUSHING	X	-	-	X	X	X	X	X	X	X	-	X	X	X	X	X	-	-	X
13	445721	CAM CONTROLLED FEED ENGAGING CRANK RETAINING RING	X	-	-	X	X	X	X	X	X	X	-	X	X	X	X	X	-	-	X
14	353473	CAM CONTROLLED FEED ENGAGING CRANK LINK	X	-	-	X	X	X	X	X	X	X	-	X	X	X	X	X	-	-	X
15	353329	CAM CONTROLLED FEED ENGAGING CRANK	X	-	-	X	X	X	X	X	X	X	-	X	X	X	X	X	-	-	X
16	356166	CAM CONTROLLED FEED ENGAGING CRANK LEVER	X	-	-	X	X	X	X	X	X	X	-	X	X	X	X	X	-	-	X
17	445486	FEED REGULATOR CONTROL ARM BIAS LINK ENGAGING LEVER RETAINING RING	X	-	-	X	X	X	X	X	X	X	-	X	X	X	X	X	-	-	X
18	355243-451	CAM CONTROLLED FEED MOUNTING BRACKET SCREW	X	-	-	X	X	X	X	X	X	X	-	X	X	X	X	X	-	-	X
19	356605	FEED REGULATOR CONTROL ARM BIAS LINK SPRING	X	-	-	X	X	X	X	X	X	X	-	X	X	X	X	X	-	-	X
20	531750	CAM CONTROLLED FEED MOUNTING BRACKET ASSEMBLY	X	-	-	X	X	X	X	X	X	X	-	X	X	X	X	X	-	-	X
21	445486	CAM CONTROLLED FEED FOLLOWER & LINK ASSEMBLY RETAINING RING	X	-	-	X	X	X	X	X	X	X	-	X	X	X	X	X	-	-	X
22	353335	CAM CONTROLLED FEED FOLLOWER & LINK ASSEMBLY	X	-	-	X	X	X	X	X	X	X	-	X	X	X	X	X	-	-	X
23	113455-003	CAM CONTROLLED FEED MOUNTING BRACKET SCREW	X	-	-	X	X	X	X	X	X	X	-	X	X	X	X	X	-	-	X

FEED SYSTEM



REV: _____
DATA: __DEC/98__

**PART LIST
FEED SYSTEM**

**4 5 5 5 5 5 5 5 5 5 5 5 6 7 7 5 5 8
6 8 8 8 8 8 8 8 8 8 8 8 6 2 2 7 7 2
2 0 0 0 0 1 1 1 1 1 2 2 1 1 8 8 2
0 2 5 6 8 0 2 4 6 7 8 0 0 1 1 1 2 0
7 0**

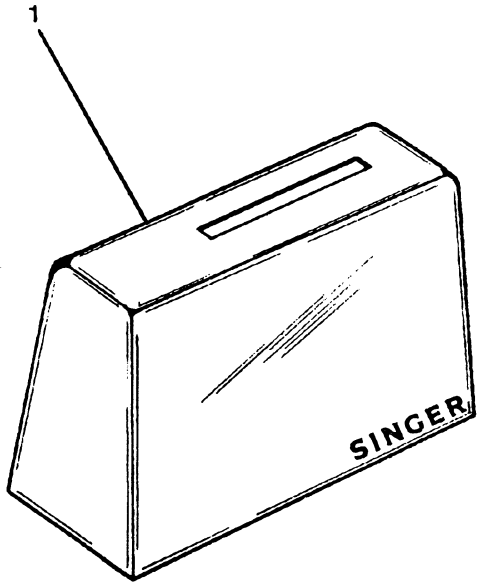
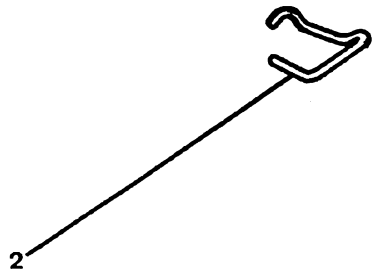
REF. PART NBR DESCRIPTION

REF. PART NBR	DESCRIPTION	4	5	5	5	5	5	5	5	5	5	5	6	7	7	5	5	8
01 179955	FEED LIFTING LEVER HINGE STUD (ECCENTRIC) SPACER	X	X	X	X	X	X	X	X	X	X	X	X	X	X	X	X	X
02 446485	FEED LIFTING LEVER HINGE STUD (ECCENTRIC) CLAMP	X	X	X	X	X	X	X	X	X	X	X	X	X	X	X	X	X
03 113455-001	FEED LIFTING LEVER HINGE STUD (ECCENTRIC) CLAMP SCREW	X	X	X	X	X	X	X	X	X	X	X	X	X	X	X	X	X
04 446249	FEED LIFTING LEVER SPRING	X	X	X	X	X	X	X	X	X	X	X	X	X	X	X	X	X
05 356222-001	FEED LIFTING LEVER ASSEMBLY	X	X	X	X	X	X	X	X	X	X	X	X	X	X	X	X	X
08 353448	FEED LIFTING LEVER HINGE STUD (ECCENTRIC)	X	X	X	X	X	X	X	X	X	X	X	X	X	X	X	X	X
09 446228	FEED LIFTING CAM	X	X	X	X	X	X	X	X	X	X	X	X	X	X	X	X	X
10 544118	FEED LIFTING CAM SCREW	X	X	X	X	X	X	X	X	X	X	X	X	X	X	X	X	X
11 355235-451	FEED DOG SCREW	X	X	X	X	X	X	X	X	X	X	X	X	X	X	X	X	X
12 179891	FEED DOG	X	X	X	X	X	X	X	X	X	X	X	X	X	X	X	X	X
13 446216	FEED ROCK SHAFT COMPLETE	X	X	X	X	X	X	X	X	X	X	X	X	X	X	X	X	X
14 446205	FEED BAR ASSEMBLY	X	X	X	X	X	X	X	X	X	X	X	X	X	X	X	X	X
15 354939-451	FEED BAR HINGE SCREW	X	X	X	X	X	X	X	X	X	X	X	X	X	X	X	X	X
16 53648-451	FEED FORKED CONNECTING SCREW STUD NUT	X	X	X	X	X	X	X	X	X	X	X	X	X	X	X	X	X
17 353397	FEED ROCK SHAFT CENTER (LEFT) NOISE DAMPENING WASHER	X	X	X	X	X	X	X	X	X	X	X	X	X	X	X	X	X
18 446487-001	FEED ROCK SHAFT CENTER	X	X	X	X	X	X	X	X	X	X	X	X	X	X	X	X	X
19 446484	FEED ROCK SHAFT CENTER CLAMP (LEFT & RIGHT)	X	X	X	X	X	X	X	X	X	X	X	X	X	X	X	X	X
20 113455-001	FEED ROCK SHAFT CENTER SUPPORTING BRACKET SCREW	X	X	X	X	X	X	X	X	X	X	X	X	X	X	X	X	X
21 531926	FEED FORKED CONNECTING	X	X	X	X	X	X	X	X	X	X	X	X	X	X	X	X	X
22 531623-451	FEED FORKED CONNECTING HINGE SCREW (ECCENTRIC)	X	X	X	X	X	X	X	X	X	X	X	X	X	X	X	X	X
23 44437	FEED FORKED CONNECTING SLIDE BLOCK	X	X	X	X	X	X	X	X	X	X	X	X	X	X	X	X	X
24 446244	FEED REGULATOR ASSEMBLY	X	X	X	X	X	X	X	X	X	X	X	X	X	X	X	X	X
25 141925-833	FEED REGULATOR SET SCREW	X	X	X	X	X	X	X	X	X	X	X	X	X	X	X	X	X
26 446483	FEED REGULATOR HINGE STUD	X	X	X	X	X	X	X	X	X	X	X	X	X	X	X	X	X
27 445768	FEED REGULATOR RETURN SPRING BUSHING (PLASTIC)	X	X	X	X	X	X	X	X	X	X	X	X	X	X	X	X	X
28 179890	FEED REGULATOR RETURN SPRING	X	X	X	X	X	X	X	X	X	X	X	X	X	X	X	X	X
29 531927	FEED FORKED CONNECTION WITH SLIDE BLOCK	X	X	X	X	X	X	X	X	X	X	X	X	X	X	X	X	X
30 353600	FEED REGULATOR HINGE STUD ASSEMBLY	X	X	X	X	X	X	X	X	X	X	X	X	X	X	X	X	X
31 353357-451	FEED ROCK SHAFT CENTER SUPPORTING BRACKET SCREW WASHER	X	X	X	X	X	X	X	X	X	X	X	X	X	X	X	X	X

5800 series, 4620, 6220, 7211, 7212, 57817, series, 8220models.
P/N 357668-001

Adopt.

OPTIONS



REV: _____
DATA: DEC/98

**PART LIST
OPTIONS**

4 5 5 5 5 5 5 5 5 5 5 5 6 7 7 5 5 8
 6 8 8 8 8 8 8 8 8 8 8 8 6 2 2 7 7 2
 2 0 0 0 0 1 1 1 1 1 1 2 2 1 1 8 8 2
 0 2 5 6 8 0 2 4 6 7 8 0 0 1 2 1 2 0
 7 0

REF. PART NBR.

DESCRIPTION

01 356392-452 SOFT VINIL COVER (TUBULAR BED)

X X X X X X X X X X X X X X X X X X X

02 116863 FINGER GUARD

X X X X X X X X X X X X X X X X X X X

**PART LIST
ELECTRICAL EQUIPMENT**

**4 5 5 5 5 5 5 5 5 5 5 5 6 7 7 5 5 8
6 8 8 8 8 8 8 8 8 8 8 8 6 2 2 7 7 2
2 0 0 0 0 1 1 1 1 1 1 2 2 1 1 8 8 2
0 2 5 6 8 0 2 4 6 7 8 0 0 1 2 1 2 0
7 0**

REF. PART NBR

DESCRIPTION

03	605488-025	LIGHT LEAD COMPLETE CAT L9 (IEC CONSTRUCTION)	-	X	X	X	X	X	X	X	X	X	-	X	X	-	X	X	-	-	X
04	179908	LIGHT LEAD GROMMET	X	X	X	X	X	X	X	X	X	X	X	X	X	X	X	X	X	X	X
07	988076-001	LAMP (120V)	X	X	X	X	X	X	X	X	X	X	X	X	X	-	-	X	X	X	
07	988076-003	LAMP (220/250V)	-	X	X	X	X	X	X	X	X	-	X	X	-	X	X	-	-	X	
08	354592-451	LIGHT SOCKET MOUNTING SCREW	X	X	X	X	X	X	X	X	X	X	X	X	X	X	X	X	X	X	
09		REFER TO CHARTS ON FOLLOWING PAGES																			
10		REFER TO CHARTS ON FOLLOWING PAGES																			
11		REFER TO CHARTS ON FOLLOWING PAGES																			
12		REFER TO CHARTS ON FOLLOWING PAGES																			
13	179901	HEAT SHIELD (WITHOUT GRAPHICS)	X	X	X	X	X	X	X	X	X	X	X	X	X	X	X	X	X	X	
13	179910-451	LIGHT SHIELD (WITH GRAPHICS) (FOR US/CANADA)	X	X	X	X	X	X	X	-	X	X	X	X	-	-	X	X	X	X	
14	605087-001	HEAT SHIELD (FOR EUROPE)	-	X	X	X	X	X	X	X	-	X	-	-	X	X	-	-	X	X	
17	362264-901	MOTOR MOUNTING PLATE CLAMP SCREW	X	X	X	X	X	X	X	X	X	X	X	X	X	X	X	X	X	X	
18	113370-451	MOTOR MOUNTING PLATE SCREW (LOWER)	X	X	X	X	X	X	X	X	X	X	X	X	X	X	X	X	X	X	
19	356803-901	MOTOR MOUNTING PLATE	X	X	X	X	X	X	X	X	X	X	X	X	X	X	X	X	X	X	
20	353518-001	MOTOR BELT (V)	X	X	X	X	X	X	X	X	X	X	X	X	X	X	X	X	X	X	
21		REFER TO CHARTS ON FOLLOWING PAGES																			
22		REFER TO CHARTS ON FOLLOWING PAGES																			
23	313470-452	MOTOR MOUNTING PLATE SCREW NUT	X	X	X	X	X	X	X	X	X	X	X	X	X	X	X	X	X	X	
25	988761-001	MOTOR PULLEY	X	X	X	X	X	X	X	X	X	X	X	X	X	X	X	X	X	X	
26		REFER TO CHARTS ON FOLLOWING PAGES																			
27	605600-004	TYE RAP	X	X	X	X	X	X	X	X	X	X	X	X	X	X	X	X	X	X	
31	362237-901	MOTOR MOUNTING PLATE SPACER	X	X	X	X	X	X	X	X	X	X	X	X	X	X	X	X	X	X	
32	362263-901	COMUTATOR END CLAMP SCREW	X	X	X	X	X	X	X	X	X	X	X	X	X	X	X	X	X	X	
33	113372-451	MOTOR MOUNTING PLATE SCREW (UPPER)	X	X	X	X	X	X	X	X	X	X	X	X	X	X	X	X	X	X	

ELECTRICAL EQUIPMENT

		U.S	CANADA	EUROPE	GREAT BRITAIN
REF.	1 SPEED UNSUPRESSED	(120V)	(120V)	(220V)	(240V)
12	LIGHT COMPLETE	362160-002	362160-002		
21	MOTOR COMPLETE	362180-012	362180-012		
22	SERIES MOTOR MODULE	988752-010	988752-010		
26	COMUTATOR END	362239-012	362239-012		
10	CONTROLLER	362095-001	362095-001		
09	SWITCH COMPLETE	362307-003	362307-003		
11	LIGHT CONNECTOR HARNESS	988764-003	988764-003		
REF.	1 SPEED SUPRESSED				
03	LIGHT COMP.			605488-025	605488-025
21	MOTOR COMPLETE			362180-016	362180-016
22	SERIES MOTOR MODULE			988752-011	988752-011
26	COMUTATOR END			362239-016	362239-016
10	CONTROLLER			362095-002	362095-015
9	SWITCH COMPLETE			988763-004	988763-004
11	LIGHT CONNECTOR HARNESS			988768-003	988768-003

REV: _____

DATA: **DEC/98**

ELECTRICAL EQUIPMENT

		ASIA & AFRICA & SOUTH AMERICA	ASIA & AFRICA & SOUTH AMERICA	AFRICA & SOUTH AMERICA	AMEDO
REF.	1 SPEED UNSUPRESSED	FLAT BLADE (120V)	FLAT BLADE (220V)	ROUND PIN (120V)	ROUND PIN (220V)
12	LIGHT COMPLETE	362001-007	362001-007	362001-007	362001-007
21	MOTOR COMPLETE	362180-013	362180-014	362180-013	362180-014
22	SERIES MOTOR MODULE	362207-005	362207-006	362207-005	362207-006
26	COMUTATOR END	362239-013	362239-014	362239-013	362239-014
10	CONTROLLER	362095-007	362095-008	362095-005	362095-006
09	SWITCH COMPLETE	362307-001	362307-001	362307-001	362307-001
11	LIGHT CONNECTOR HARNESS	988764-005	988764-005	988764-005	988764-005

REV: _____
 DATA: DEC/98

ELECTRICAL EQUIPMENT

		AFRICA & SOUTH AMERICA	SOUTH AFRICA	AUSTRALIA
REF.	1 SPEED UNSUPRESSED	ROUND PIN (220V)	ROUND PIN (220V)	(240V)
12	LIGHT COMPLETE	362001-007	362001-007	
21	MOTOR COMPLETE	362180-014	362180-013	
22	SERIES MOTOR MODULE	362207-006	362207-005	
26	COMUTATOR END	362239-014	362239-013	
10	CONTROLLER	362095-006	362095-005	
09	SWITCH COMPLETE	362307-001	362307-001	
11	LIGHT CONNECTOR HARNESS	988764-005	988764-005	
REF.	1 SPEED SUPRESSED			
03	LIGHT COMPLETE			605488-025
21	MOTOR COMPLETE			362180-016
22	SERIES MOTOR MODULE			988752-011
26	COMUTATOR END			362239-016
10	CONTROLLER			362095-010
09	SWITCH - 2 SPEED			988763-004
11	LIGHT CONNECTOR HARNESS			988768-003

REV.: _____

DATA: DEC/98