

SINGER

4610,4613,4617,4622,4623,9420

LIST OF PARTS

Sewing Machine Series

4610

4613

4617

4622

SAME
AS

9420

4623

by **SINGER***



A Publication of Product Support
International Group Engineering

Part No. 317161-001

Printed in Taiwan

*** A trademark of The Singer Company
Copyright 1988, Singer Sewing Machine Company**

All rights reserved throughout the worldPrinted

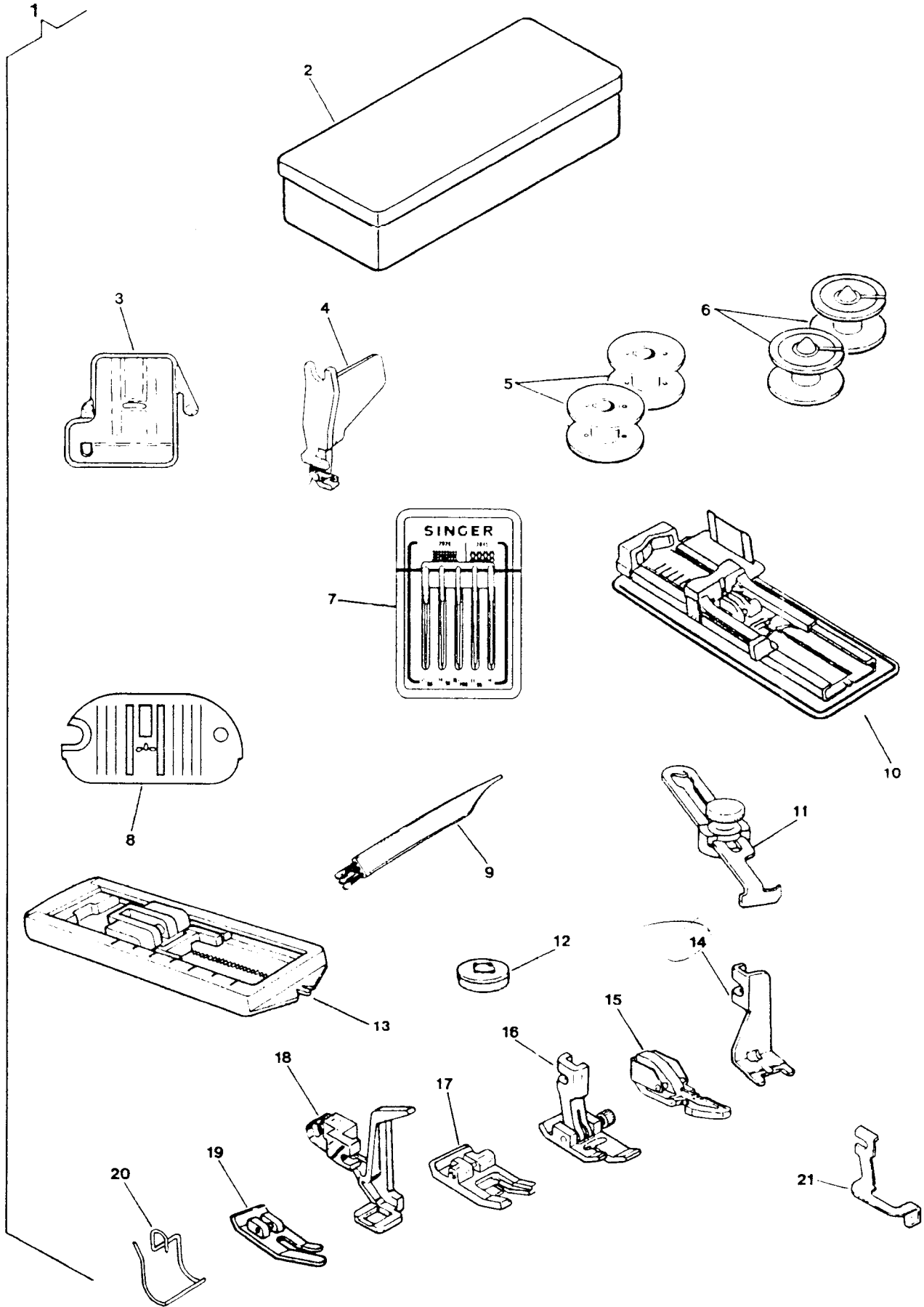
INDEX

PAGE NO.	SUBASSEMBLY
1, 2	ATTACHMENT SET
3, 4	COVERS AND ADD ONS
5, 8	ARM TOP COVER
9, 10	ARM SHAFT DRIVE SYSTEM
11, 12	HAND WHEEL
13, 14	COAXIAL PRESSER BAR SYSTEM
15, 16	NEEDLE BAR & THREAD TAKE-UP
17, 22	ALPHA FEED
23, 24	HOOK SYSTEM (APOLLO)
25, 26	HOOK AND BOBBIN WINDING SYSTEM (CENTAUR)
27, 32	PATTERN, STITCH LENGTH CONTROL & CAM CONTROLLED FEED
33, 34	DEMAND RESPONSIVE NEEDLE TENSION SYSTEM
35, 38	ELECTRICAL EQUIPMENT

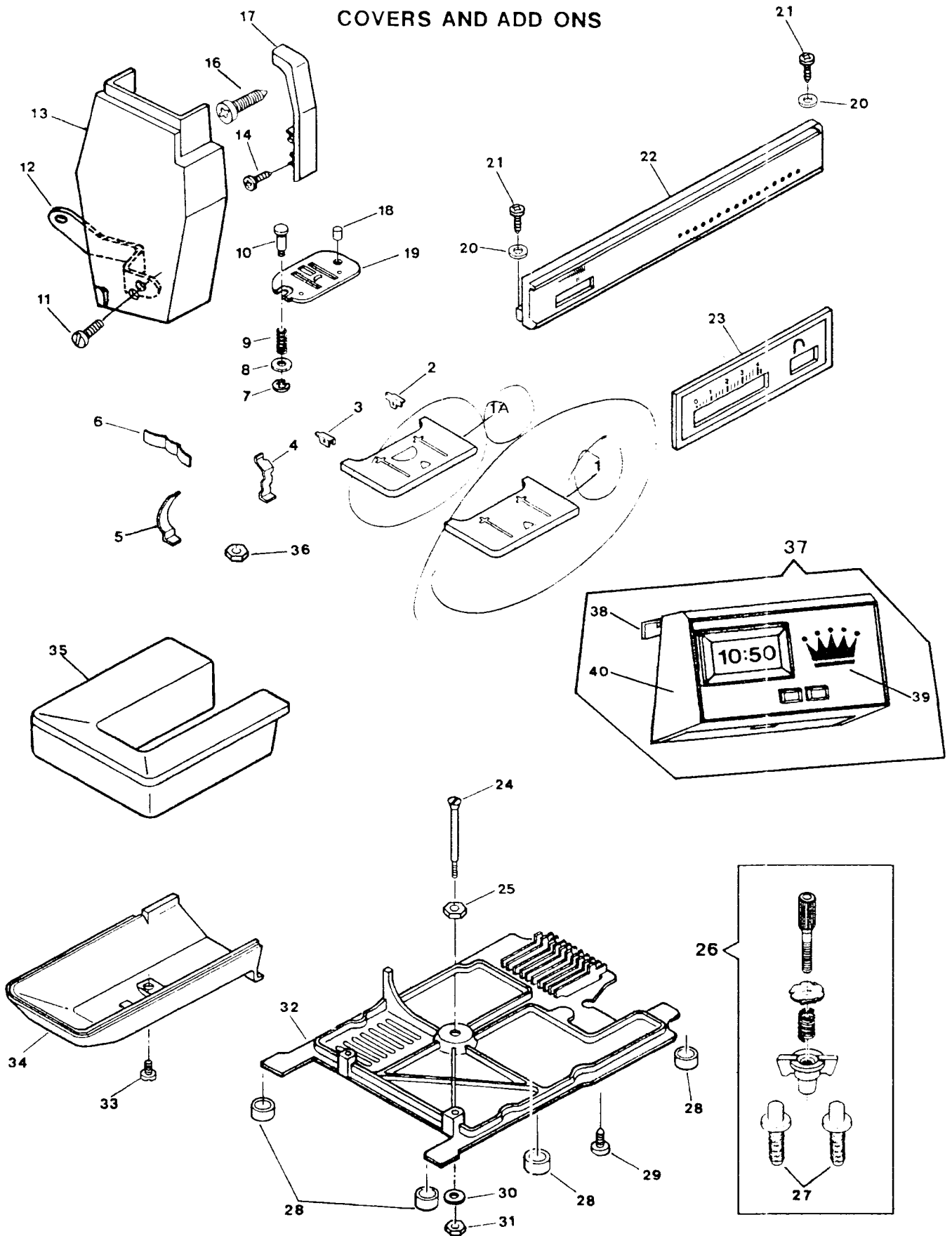
ATTACHMENT SET

REF. NO.	PART NO.	DESCRIPTION	4	4	4	4
			6	6	6	6
			1	1	1	2
			0	3	7	3
1	313030	ATTACHMENT COMPLETE	X			
1	313031	ATTACHMENT COMPLETE		X		
1	313032	ATTACHMENT COMPLETE			X	X
2	402673-455	ACCESSORY BOX COMPLETE (ALT:402673-454)	X	X		
3	313117	FEED COVER PLATE		X	X	X
4	503277	NEEDLE THREADER COMPLETE			X	X
5	172336	BOBBIN	X			
6	312956	BOBBIN		X	X	X
7	353364	NEEDLE PACK (ALT:384064)	X	X	X	X
8	313066	THROAT PLATE FOR STRAIGHT SEWING			X	X
9	546358	LINT BRUSH	X	X	X	X
10	313093-451	BUTTONHOLE (ONE-STEP) COMPLETE (ALT:NT-1321)			X	X
11	161172	SEAM & BLINDSTITCH HEM GUIDE COMPLETE		X	X	X
12	507664-459	ARM SPOOL PIN THREAD LEAD OFF (SMALL, PLASTIC)			X	X
13	313992-451	PRESSER FOOT PLATE (SNAP-ON) FOR SEWING BUTTONHOLES	X	X		
14	381066	PRESSER FOOT PLATE FOR BUTTON SEWING			X	X
15	171480	PRESSER FOOT PLATE (SNAP-ON) FOR CORDING & SLIDE FASTENERS COMPL.	X	X	X	X
16	381491	BLIND HEM PRESSER HOOT ASSEMBLY			X	X
17	171463	SPECIAL PURPOSE PRESSER FOOT PLATE (SNAP-ON)	X	X	X	X
18	384037	DARNING & EMBROIDERY FOOT COMPLETE (PLASTIC)		X	X	X
19	353628	PRESSER FOOT PLATE (SNAP-ON) FOR STRAIGHT SEWING			X	X
19	161919	PRESSER FOOT PLATE (SNAP-ON) FOR STRAIGHT SEWING (ALTERNATE)			X	X
20	421588	FINGER GUARD ATTACHED TO PRESSER BAR FOR ITALY AND U.S. SCHOOL MACHINES. IN ACCESSORY BOX FOR FRANCE	X	X	X	X
21	171110	BLINDSTITCH GUIDE	X	X		

ATTACHMENT SET



COVERS AND ADD ONS



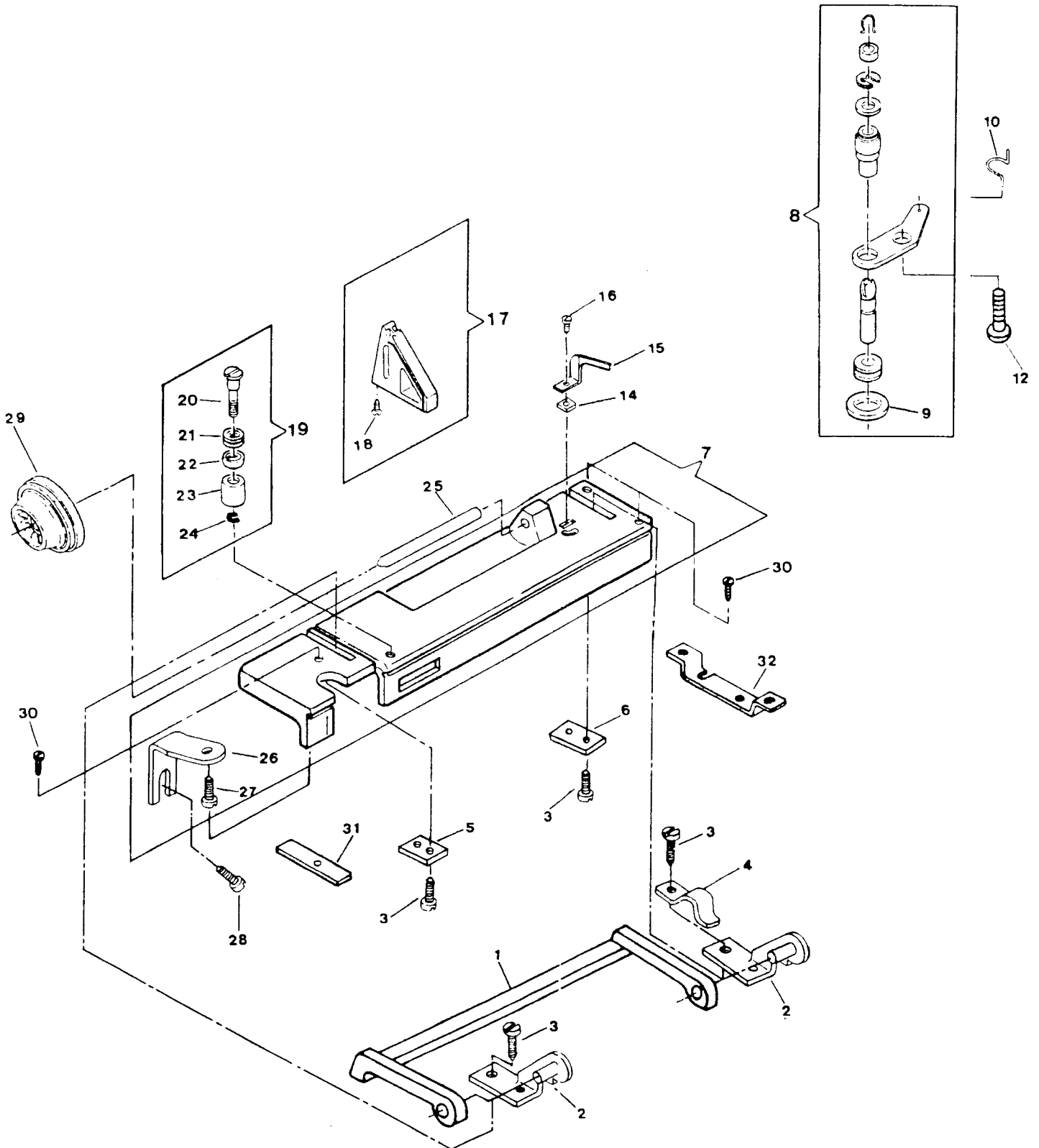
COVERS AND ADD ONS

REF. PART NO. NO.	DESCRIPTION	4 6 1 0	4 6 1 3	4 6 1 7	4 6 2 3
1	314666	BED SLIDE ASSEMBLY COMPL. (APOLLO)	X		
1A	314109	BED SLIDE ASSEMBLY COMPL. ALT:313166	X	X	X
2	312779	BED SLIDE SPRING (RIGHT)	X	X	X
2	314669	BED SLIDE SPRING (RIGHT)	X		
3	313108	BED SLIDE SPRING (LEFT)	X	X	X
3	314670	BED SLIDE SPRING (LEFT)	X		
4	313178	BED SLIDE STOP	X		
5	313179	BED SLIDE STOP SPRING	X		
6	313118	CLOTH PLATE SPRING	X	X	X
7	313098	THROAT PLATE PLUNGER RETAINING RING	X	X	X
8	549426-451	THROAT PLATE PLUNGER WASEHR	X	X	X
9	312805	THROAT PLATE PLUNGER SPRING	X	X	X
10	312804	THROAT PLATE PLUNGER	X	X	X
11	113521-451	FACE PLATE MOUNTING SCREW	X	X	X
12	314263	FACE PLATE MOUNTING BRACKET	X	X	X
13	314259-451	FACE PLATE COMPLETE	X	X	X
14	113470-003	THREAD TAKE-UP COVER MOUNTING SCREW	X	X	X
16	113455-004	THREAD TAKE-UP COVER MOUNTING SCREW	X	X	X
17	314718-451	THREAD TAKE-UP COVER	X	X	X
18	353624	THROAT PLATE LOCATING PIN	X	X	X
19	312777	THROAT PLATE FOR ZIG ZAG SEWING	X	X	X
20	502495-451	CONTROL PANEL SCREW WASHER			X
21	113455-001	CONTROL PANEL SCREW			X
22	317018	CONTROL PANEL WITH GRAPHICS ASSEMBLY			X
22	317025	CONTROL PANEL WITH GRAPHICS ASSEMBLY			X
23	312883-002	STITCH LENGTH CONTROL PANEL ASSEMBLY (EUROPE)	X		
23	317009-001	STITCH LENGTH CONTROL PANEL (U.S./CANADA)	X	X	X
23	317013-001	STITCH LENGTH CONTROL PANEL ASSEMBLY			X
24	313052-451	BOTTOM COVER MOUNTING BOLT	X	X	X
25	313173-451	BOTTOM COVER MOUNTING BOLT MOUNTING NUT	X	X	X
26	313180	MACHINE HOLD DOWN MOUNTING KIT	X	X	X
27	148869	MACHINE LOCATOR PIN	X	X	X
28	313909-451	BED LEG CUSHION	X	X	X
29	113455-002	BED COVER PLATE (BOTTOM) SCREW	X	X	X
30	314712-451	BOTTOM COVER MOUNTING BOLT WASHER	X	X	X
31	313177-452	BOTTOM COVER MOUNTING BOLT MOUNTING NUT	X	X	X
32	312774-001	BED COVER PLATE (BOTTOM)	X	X	X
33	354633-452	BED COVER (TUBULAR) SCREW	X	X	X
34	312773-451	BED COVER TUBULAR	X	X	X
35	313882-451	CLOTH PLATE ASSEMBLY	X	X	X
36	313049	BED INSERT NUT	X	X	X

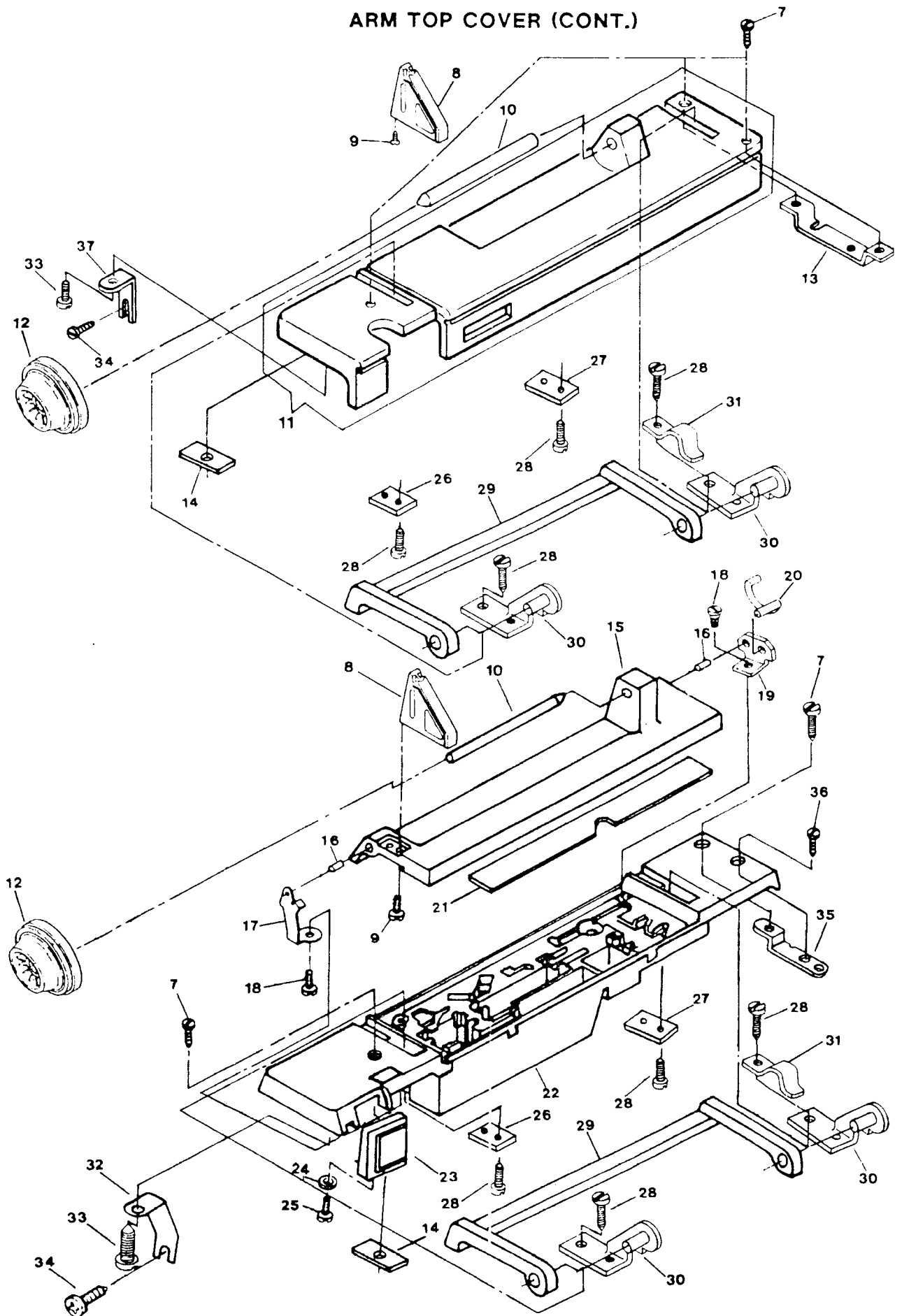
ARM TOP COVER

REF. PART NO. NO.	DESCRIPTION	4 6 1 0	4 6 1 3	4 6 1 7	4 6 2 3
1	314384-451	ARM TOP COVER MACHINE HANDLE			X
2	314386	ARM TOP COVER MACHINE HANDLE HINGE BRACKET COMPLETE (2)			X
3	113520-451	ARM TOP COVER MACHINE HANDLE HINGE BRACKET SCREW (RIGHT & LEFT)			X
4	314485	ARM TOP COVER MACHINE HANDLE RETAINING SPRING			X
5	314561	ARM TOP COVER MACHINE HANDLE HINGE BRACKET NUT PLATE (LEFT)			X
6	314560	ARM TOP COVER MACHINE HANDLE HINGE BRACKET NUT PLATE (RIGHT)			X
7	317026-001	ARM TOP COVER ASSEMBLY			X
8	314675	BOBBIN WINDER ASSEMBLY			X
9	314045-451	BOBBIN WINDER FRICTION RING			X
10	312897	BOBBIN WINDER LEVER SPRING			X
12	314672	BOBBIN WINDER LEVER HINGE STUD			X
14	314711-451	BOBBIN WINDER STOP SCREW NUT			X
15	312894	BOBBIN WINDER STOP			X
16	141808-453	BOBBIN WINDER STOP SCREW			X
17	313563	ARM TOP COVER THREAD GUIDE ASSEMBLY			X
18	354810-451	ARM TOP COVER THREAD GUIDE SCREW			X
19	313536	BOBBIN WINDER TENSION ASSEMBLY			X
20	179812	BOBBIN WINDER TENSION STUD			X
21	45847	BOBBIN WINDER TENSION DISC SPRING			X
22	45915	BOBBIN WINDER TENSION DISC			X
23	319606	BOBBIN WINDER TENSION STUD COLLAR			X
24	319663-452	BOBBIN WINDER TENSION STUD RETAINING RING			X
25	312940-451	SPOOL PIN (HORIZONTAL)			X
26	314337	ARM TOP COVER SUPPORT BRACKET			X
27	113442-002	ARM TOP COVER SUPPORT BRACKET SCREW (LEFT)			X
28	113516-451	ARM TOP COVER SUPPORT BRACKET SCREW (RIGHT)			X
29	179967-451	SPOOL PIN THREAD LEAD-OFF (MEDIUM & LARGE)			X
30	354927-001	ARM TOP COVER MOUNTING SCREW (3)			X
31	312892	ARM TOP COVER MOUNTING PLATE (LEFT)			X
32	314275	ARM TOP COVER MOUNTING PLATE (RIGHT)			X

ARM TOP COVER



ARM TOP COVER (CONT.)



ARM TOP COVER (CONT.)

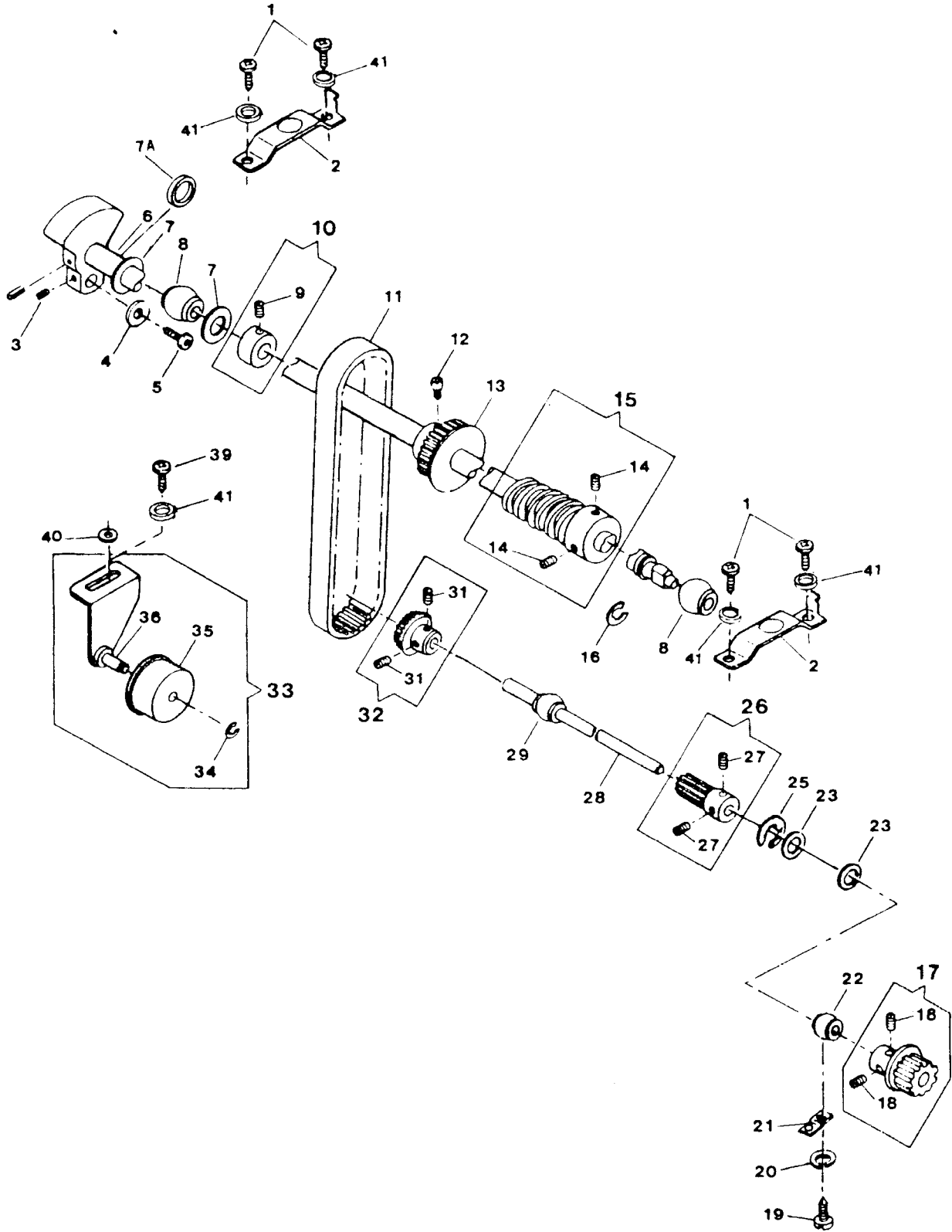
REF. PART NO.	PART NO.	DESCRIPTION	4	4	4	4
			4	4	4	4
			6	6	6	6
			1	1	1	2
			0	3	7	3
1	314270-451	ARM TOP COVER MACHINE HANDLE	X	X		
2	314274	ARM TOP COVER MACHINE HANDLE HINGE PIN (2)	X	X		
3	312686	ARM TOP COVER MACHINE HANDLE HINGE PIN RETAINING (4)	X	X		
4	314501	ARM TOP COVER MACHINE HANDLE SPRING (2)	X	X		
5	314271	ARM TOP COVER MACHINE HANDLE MOUNTING BRACKET (2)	X	X		
6	113455-003	ARM TOP COVER MACHINE HANDLE MOUNTING BRACKET SCREW (4)	X	X		
7	354927-001	ARM TOP COVER MOUNTING SCREW	X	X		
8	313563-451	ARM TOP COVER THREAD GUIDE ASSEMBLY	X	X	X	
9	354810-451	ARM TOP COVER THREAD GUIDE SCREW	X	X		
9	113501-451	ARM TOP COVER THREAD GUIDE SCREW	X	X		
10	312940-451	SPOOL PIN (HORIZONTAL)	X	X	X	
11	317028-001	ARM TOP COVER ASSEMBLY	X	X	X	
12	179967-451	SPOOL PIN THREAD LEAD-OFF (MEDIUM & LARGE)	X	X	X	
13	314275	ARM TOP COVER MOUNTING PLATE (RIGHT)	X	X		
14	312892	ARM TOP COVER MOUNTING PLATE (LEFT)	X	X	X	
15	314380-902	ARM TOP COVER LID			X	
16	314478	ARM TOP COVER LID HINGE PIN			X	
17	314618	ARM TOP COVER LID HINGE (LEFT)			X	
18	113445-006	ARM TOP COVER LID HINGE SCREW (2)			X	
19	313213	ARM TOP COVER LID HINGE (RIGHT)			X	
20	313435	ARM TOP COVER LID SPRING			X	
22	314379-900	ARM TOP COVER MOLDED			X	
23	314390-010	CONTROL PANEL EXTENSION ASSEMBLY			X	
24	502495-451	CONTROL PANEL EXTENSION WASHER			X	
25	113455-003	CONTROL PANEL EXTENSION SCREW			X	
26	314561	ARM TOP COVER MACHINE HANDLE HINGE BRACKET NUT PLATE (LEFT)	X	X		
27	314560	ARM TOP COVER MACHINE HANDLE HINGE BRACKET NUT PLATE (RIGHT)	X	X		
28	113520-451	ARM TOP COVER MACHINE HANDLE HINGE BRACKET SCREW (RIGHT & LEFT)	X	X		
29	314384-451	ARM TOP COVER MACHINE HANDLE	X	X		
30	314386	ARM TOP COVER MACHINE HANDLE HINGE BRACKET COMPLETE (2)	X	X		
31	314485	ARM TOP COVER MACHINE HANDLE RETAINING SPRING	X	X		
32	314391	ARM TOP COVER SUPPORT BRACKET			X	
33	113442-002	ARM TOP COVER SUPPORT BRACKET (LEFT) MOUNTING SCREW	X	X	X	
34	113516-451	ARM TOP COVER SUPPORT BRACKET (RIGHT) SCREW	X	X	X	
35	314387	ARM TOP COVER MOUNTING PLATE (RIGHT)			X	
36	354954-451	ARM TOP COVER MOUNTING SCREW (RIGHT FRONT)			X	
37	314337	ARM TOP COVER SUPPORT BRACKET	X	X		

N.L.A. per Jami per fac. 8/30/96 → X

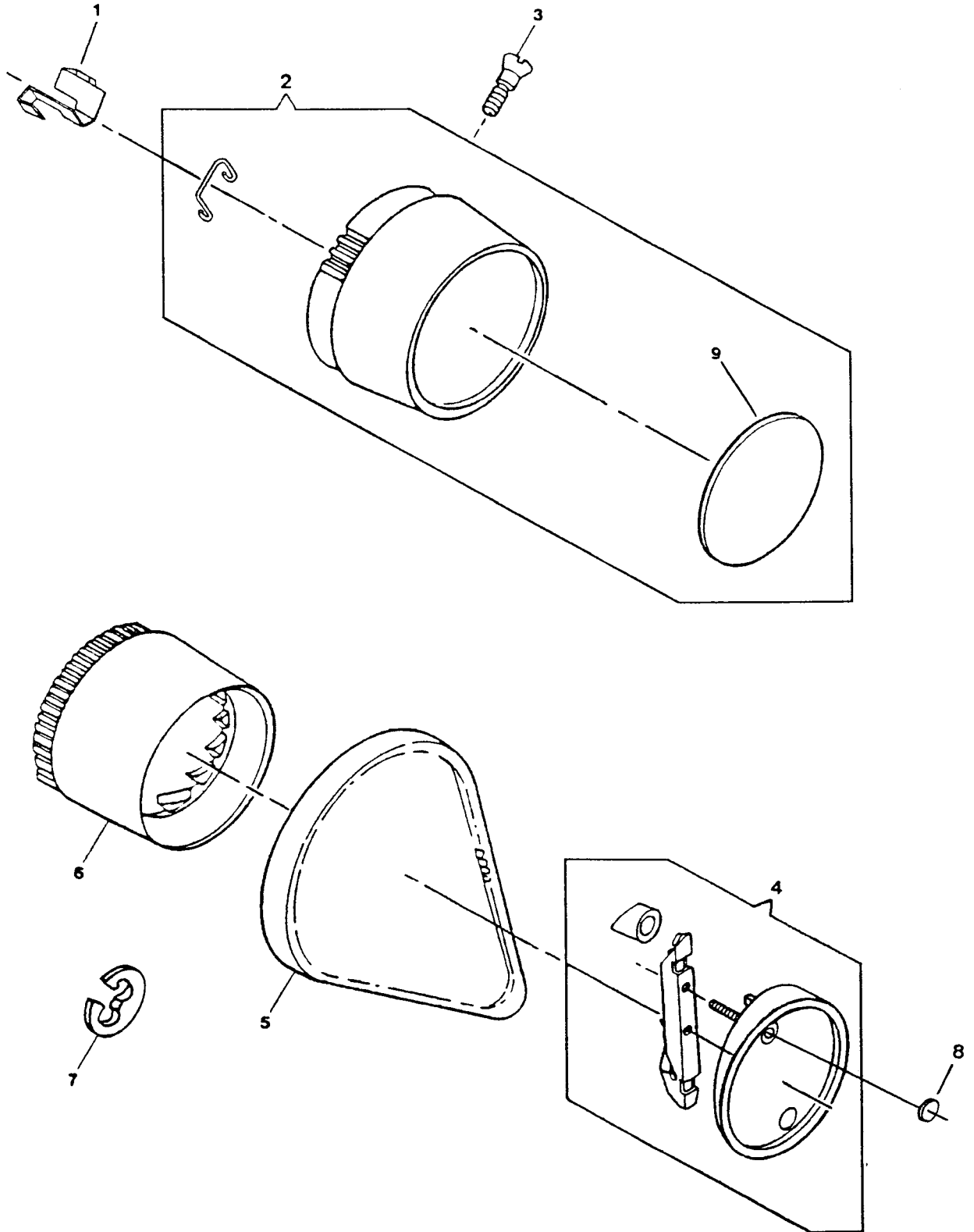
ARM SHAFT DRIVE SYSTEM

REF. NO.	PART NO.	DESCRIPTION	4	4	4	4
			4	4	4	4
			6	6	6	6
			1	1	1	2
			0	3	7	3
1	113455-001	ARM SHAFT (HORIZONTAL) BUSHING (LEFT & RIGHT) CLAMP SCREW	X	X	X	X
2	312796	ARM SHAFT (HORIZONTAL) BUSHING (LEFT & RIGHT) CLAMP ASSEMBLY	X	X	X	X
3	113488-451	THREAD TAKE-UP STUD SET SCREW	X	X	X	X
4	931929-004	THREAD TAKE-UP AXIAL SCREW WASHER	X	X	X	X
5	113408-001	THREAD TAKE-UP AXIAL SCREW	X	X	X	X
6	313982	ARM SHAFT HORIZONTAL ASSEMBLY	X			
6	313989	ARM SHAFT HORIZONTAL ASSEMBLY (ALTERNATE TO 313982)	X			
6	313998	ARM SHAFT HORIZONTAL ASSEMBLY		X	X	X
6	313999	ARM SHAFT HORIZONTAL ASSEMBLY (ALTERNATE TO 313998)		X	X	X
7	312620-001	ARM SHAFT (HORIZONTAL) RETAINING COLLAR THRUST WASHER (PLASTIC)	X	X	X	X
7A	312620-002	ARM SHAFT THRUST WASHER	X	X	X	X
8	312795	ARM SHAFT (HORIZONTAL) BUSHING (LEFT & RIGHT)	X	X	X	X
9	544208-001	ARM SHAFT (HORIZONTAL) RETAINING COLLAR SET SCREW	X	X	X	X
10	312619	ARM SHAFT (HORIZONTAL) RETAINING COLLAR ASSEMBLY	X	X	X	X
11	603975-011	BELT (ROTATING HOOK DRIVE) ALT:603975-012	X	X	X	X
12	544212-003	ARM SHAFT (HORIZONTAL) BELT DRIVE PULLEY SCREW	X	X	X	X
13	314074-901	ARM SHAFT (HORIZONTAL) BELT DRIVE PULLEY (PLASTIC)	X	X	X	X
14	354591-451	DISC STACK DRIVING WORM GEAR SET SCREW	X	X	X	X
15	312623	DISC STACK DRIVING WORM GEAR ASSEMBLY	X	X	X	X
16	313153	HAND WHEEL RETAINING RING	X			
17	314131	ROTATING HOOK DRIVE SHAFT BELT PULLEY ASSEMBLY	X	X	X	X
18	544098	ROTATING HOOK DRIVE SHAFT BELT PULLEY SET SCREW	X	X	X	X
19	113445-001	ROTATING HOOK DRIVE SHAFT BUSHING (SELF-ALIGNING) CLAMP SCREW	X	X	X	X
20	314013-451	ROTATING H. D. SHAFT BUSHING (SELF-ALIGNING) CLAMP SCREW LOCK WASHER	X	X	X	X
21	313816	ROTATING HOOK DRIVE SHAFT BUSHING (SELF-ALIGNING) CLAMP	X	X	X	X
22	312700-001	ROTATING HOOK DRIVE SHAFT BUSHING (RIGHT) (SELF-ALIGNING)	X	X	X	X
23	444900-452	ROTATING HOOK DRIVE SHAFT SPRING WASHER	X	X	X	X
25	312685	ROTATING HOOK DRIVE SHAFT BEARING RETAINING RING	X	X	X	X
26	313920	FEED DRIVE SHAFT DRIVING GEAR ASSEMBLY	X	X	X	X
27	113466-451	FEED DRIVE SHAFT GEAR SET SCREW	X	X	X	X
28	313936	ROTATING HOOK DRIVE SHAFT	X	X	X	X
29	312700-002	ROTATING HOOK DRIVE SHAFT BUSHING (LEFT) (SELF-ALIGNING)	X	X	X	X
31	544208-005	ROTATING HOOK DRIVE SHAFT BEVEL GEAR SET SCREW	X	X	X	X
32	314011	ROTATING HOOK DRIVE SHAFT BEVEL GEAR ASSEMBLY ALT:314054-900	X	X	X	X
33	313195	IDLER BRACKET ASSEMBLY	X	X	X	X
34	313157	BELT IDLER PULLEY RETAINING RING	X	X	X	X
35	382255	BELT IDLER PULLEY	X	X	X	X
36	313001	IDLER BRACKET ASSEMBLY	X	X	X	X
39	113455-002	ROTATING HOOK DRIVING BELT TENSION ADJUSTER SCREW	X	X	X	X
40	314041-451	ROTATING HOOK DRIVING BELT TENSION ADJUSTER SCREW WASHER	X	X	X	X
41	314013-451	ARM SHAFT BUSHING (LAMP SCREW WASHER)	X	X	X	X

ARM SHAFT DRIVE SYSTEM



HAND WHEEL



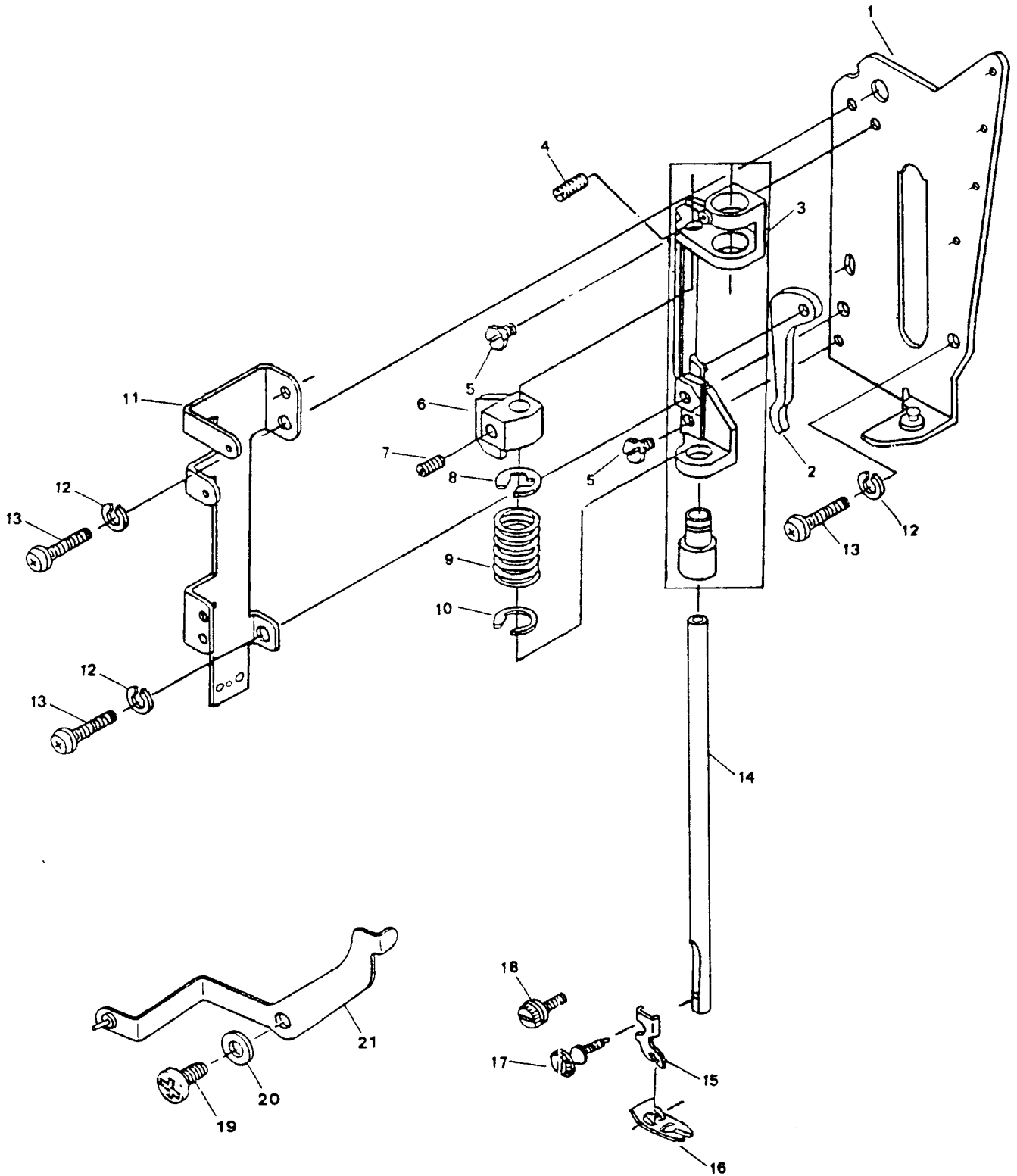
HAND WHEEL

REF. NO.	PART NO.	DESCRIPTION	4	4	4	4
			6	6	6	6
			1	1	1	2
			0	3	7	3
1	314044	HAND WHEEL DRIVE SCREW SUPPORT CLIP				
2	312991-456	HAND WHEEL ASSEMBLY	X	X	X	
2	312991-457	HAND WHEEL ASSEMBLY				X
3	113454-451	HAND WHEEL DRIVE SCREW	X	X		
4	313185-451	HAND WHEEL CLUTCH PLATE ASSEMBLY	X	X	X	
5	312628-001	BELT (MOTOR DRIVE) ALT: 979285-001	X	X	X	X
6	312625-451	HAND WHEEL (PLASTIC)	X			
7	313153	HAND WHEEL RETAINING RING	X			
8	314733-900	HAND WHEEL ACCESS PLATE (APOLLO)	X			
9	314743-903	HAND WHEEL NAME PLATE (CENTAUR)				X
9	314743-904	HAND WHEEL NAME PLATE (CENTAUR)	X	X		

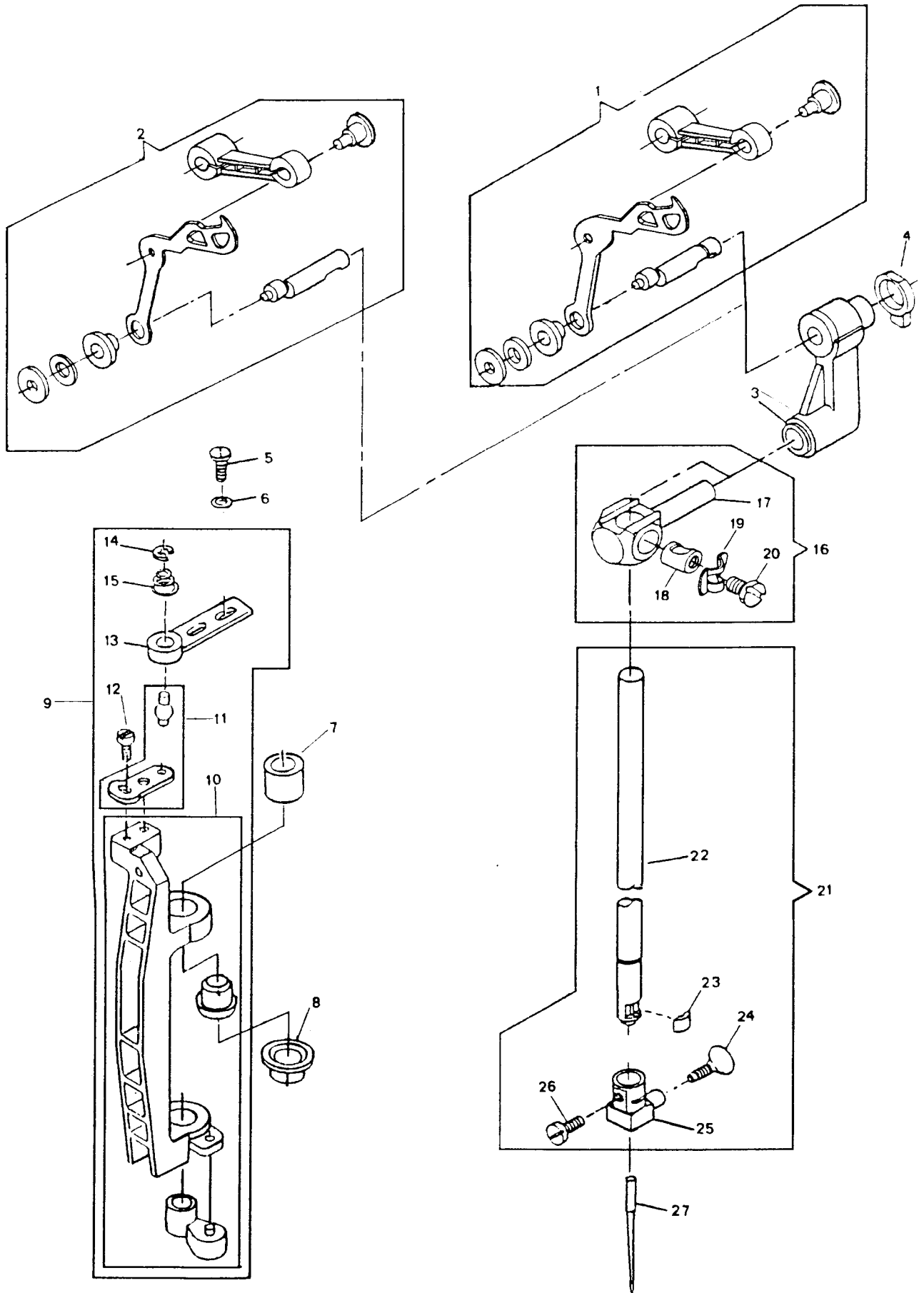
COAXIAL PRESSER BAR SYSTEM FOR NEW HEAD END

REF. PART NO. NO.	DESCRIPTION	4	4	4	4
		6	6	6	6
		1	1	1	2
		0	3	7	3
1	314696 HEAD END MOUNTING PLATE ASSEMBLY COMP.	X	X	X	X
2	314582 PRESSER BAR LIFTER	X	X	X	X
3	314580 NEEDLE BAR & PRESSER BAR ADJUSTING BRACKET (SUB-ASSEMBLY)	X	X	X	X
4	544208-001 NEEDLE BAR VIBRATING BRACKET BALL BUSHING (UPPER) ADJUSTER SET SCREW	X	X	X	X
5	113485-452 NEEDLE BAR PRESSER BAR ADJUSTING BRACKET MOUNTING SCREW	X	X	X	X
6	314583-901 PRESSER BAR GUIDE BRACKET	X	X	X	X
7	141936-833 PRESSER BAR GUIDE BRACKET SCREW	X	X	X	X
8	314584 PRESSER BAR SPRING RETAINING RING (UPPER)	X	X	X	X
9	353214 PRESSER BAR SPRING	X	X	X	X
10	314585 PRESSER BAR SPRING RETAINING RING (LOWER)	X	X	X	X
11	314591 FACE PLATE MOUNTING BRACKET	X	X	X	X
12	313955-451 HEAD END MOUNTING PLATE LOCK WASHER	X	X	X	X
13	113455-012 HEAD END MOUNTING PLATE SCREW	X	X	X	X
14	314581 PRESSER BAR	X	X	X	X
15	163706-451 PRESSER FOOT SHANK (SNAP-ON)	X	X	X	X
16	313150 PRESSER FOOT PLATE (SNAP-ON) FOR ZIG-ZAG SEWING	X	X	X	X
17	113531-451 PRESSER FOOT THUMB SCREW	X			
18	314627-451 PRESSER FOOT THUMB SCREW & BOBBIN WINDER THREAD HOLDER		X	X	X
19	113455-001 NEEDLE THREAD TENSION RELEASE LEVER HINGE SCREW	X	X	X	X
20	314041-451 NEEDLE THREAD TENSION RELEASE LEVER RETAINING WASHER	X	X	X	X
21	314589 NEEDLE THREAD TENSION RELEASE LEVER ASSEMBLY	X	X	X	X

COAXIAL PRESSER BAR SYSTEM



NEEDLE BAR AND THREAD TAKE-UP



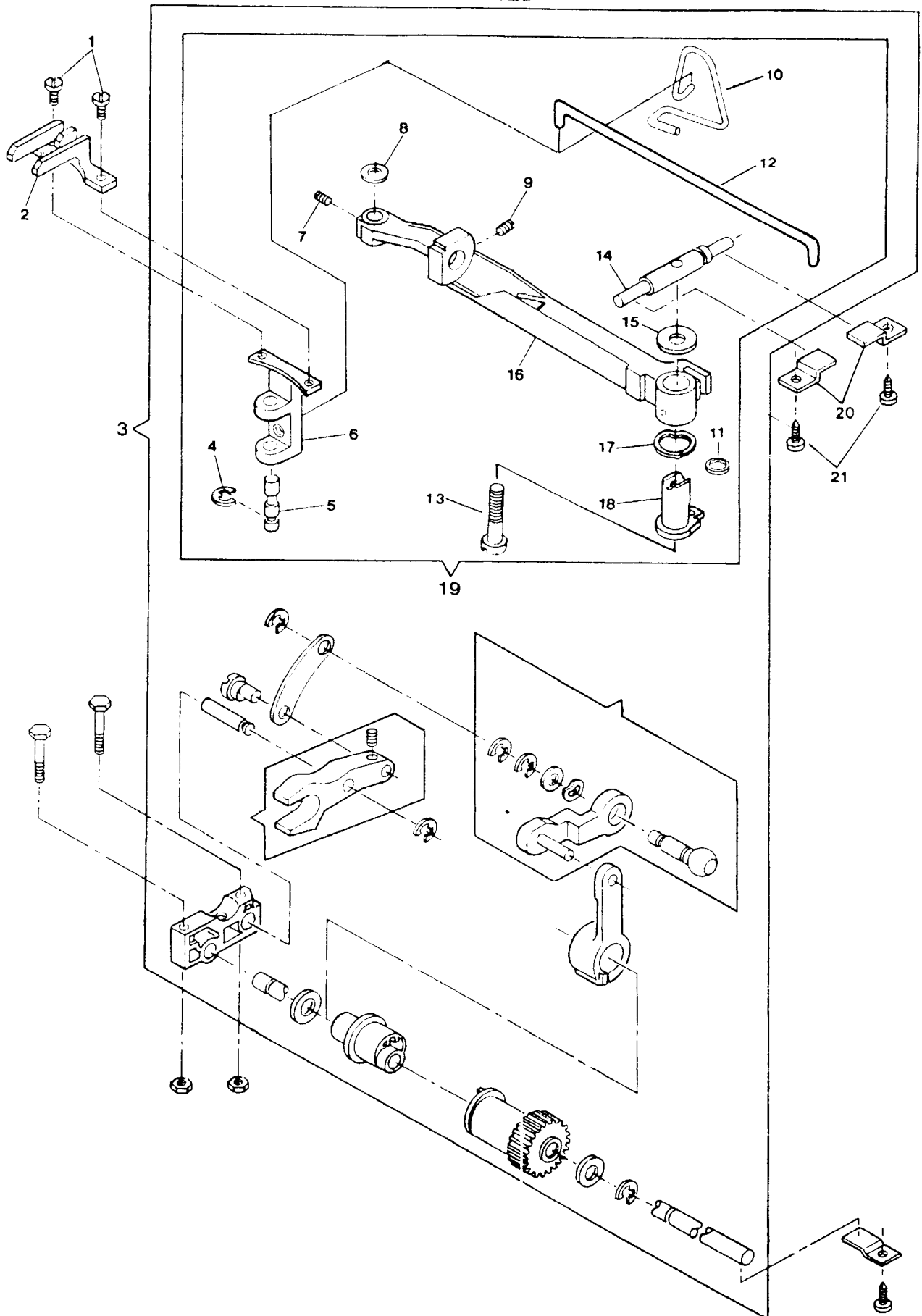
NEEDLE BAR & THREAD TAKE-UP FOR NEW HEAD END

REF. NO.	PART NO.	DESCRIPTION	4	4	4	4
			4	4	4	4
			6	6	6	6
			1	1	1	2
			0	3	7	3
1	314694	THREAD TAKE-UP COMPLETE (APOLLO)	X			
2	314699	THREAD TAKE-UP COMPLETE (CENTAUR)		X	X	X
3	313533	NEEDLE BAR CONNECTING LINK ASSEMBLY	X	X	X	X
4	314146	NEEDLE BAR CONNECTING LINK SPACER	X	X	X	X
5	113408-001	NEEDLE BAR DRIVING ARM BALL JOINT SCREW	X	X	X	X
6	931929-004	NEEDLE BAR DRIVING ARM BALL JOINT SCREW WASHER	X	X	X	X
7	314574	NEEDLE BAR VIBRATING BRACKET BUSHING (UPPER)	X	X	X	X
8	314573	NEEDLE BAR BALL BUSHING SOCKET (LOWER)	X	X	X	X
9	314569	NEEDLE BAR VIBRATING BRACKET ASSEMBLY	X	X	X	X
10	314614	NEEDLE BAR VIBRATING BRACKET SUB-ASSEMBLY	X	X	X	X
11	314570	NEEDLE BAR VIBRATING BRACKET STUD PLATE ASSEMBLY	X	X	X	X
12	141920-451	NEEDLE BAR VIBRATING BRACKET STUD PLATE ASSEMBLY MOUNTING SCREW	X	X	X	X
13	312839	NEEDLE BAR DRIVING ARM BALL JOINT	X	X	X	X
14	312702	NEEDLE BAR DRIVING ARM BALL JOINT RETAINING RING	X	X	X	X
15	382602	NEEDLE BAR DRIVING ARM BALL JOINT SPRING	X	X	X	X
16	313191	NEEDLE BAR CONNECTING STUD SUB-ASSEMBLY	X	X	X	X
17	312751	NEEDLE BAR CONNECTING STUD	X	X	X	X
18	312769	NEEDLE BAR CONNECTING STUD HINGE PIN	X	X	X	X
19	384000	NEEDLE BAR CONNECTING STUD HINGE PIN FRICTION WASHER	X	X	X	X
20	354972-451	NEEDLE BAR CLAMPING & GUIDE SCREW	X	X	X	X
21	313192	NEEDLE BAR SUB-ASSEMBLY	X	X	X	X
22	313553	NEEDLE BAR	X	X	X	X
23	313552	NEEDLE BAR GIB	X	X	X	X
24	354898-451	NEEDLE THUMB SCREW	X	X	X	X
25	313798	NEEDLE CLAMP BODY	X	X	X	X
26	141920-454	NEEDLE CLAMP BODY NEEDLE CLAMP THREAD GUIDE & NEEDLE STOP SCREW	X	X	X	X
27	N2045	NEEDLE SIZE NO. 14 (IN MACHINE)	X	X	X	X

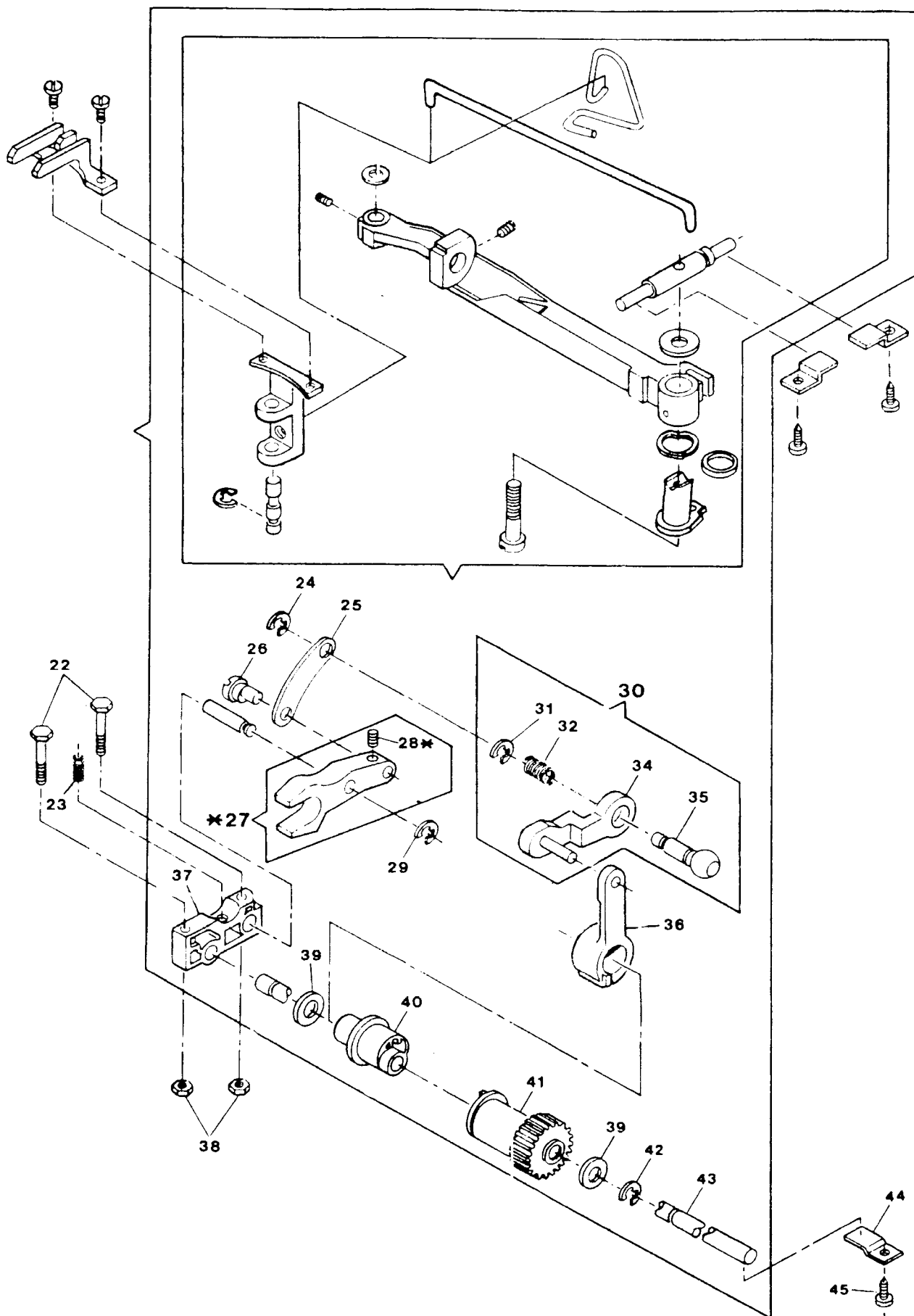
ALPHA FEED

REF. PART NO.	DESCRIPTION	4	4	4	4
		6	6	6	6
		1	1	1	2
		0	3	7	3
1	141920-452	FEED DOG SCREW	X	X	X X
2	312679	FEED DOG (APOLLO)	X		
2	313021	FEED DOG (ZINC) (CENTAUR)		X	X X
2	313171	FEED DOG (APOLLO) (ALTERNATE PYRAMID)	X		
3	314140-002	ALPHA FEED MODULE	X		
3	314140-001	ALPHA FEED MODULE		X	X X
4	511213	FEED DOG HOLDER STUD RETAINING RING	X	X	X X
5	511052	FEED DOG HOLDER STUD	X	X	X X
6	422334-902	FEED DOG HOLDER (MACHINED)	X	X	X X
7	544100	FEED DOG HOLDER STUD SCREW	X	X	X X
8	511210	FEED DOG HOLDER WASHER	X	X	X X
9	354983-451	FEED BAR CONNECT'G & FEED LIFT'G FORK CONNECT'G HINGE STUD (ECCENTRIC) SET SCREW (ALT: 354420-451)	X	X	X X
10	422561	FEED DOG HOLDER COMPENSATING LINK RETAINING SPRING (FRONT)	X	X	X X
11	422337	FEED DOG HOLDER COMPENSATING LINK RETAINING SPRING (BACK)	X	X	X X
12	422335-001	FEED DOG HOLDER COMPENSATING LINK	X	X	X X
13	514744-451	FEED BAR PIVOT HINGE STUD LOCK SCREW	X	X	X X
14	314142	FEED BAR PIVOT HINGE STUD PIN	X	X	X X
15	422338	FEED BAR HINGE PIN WASHER	X	X	X X
16	422333-902	FEED BAR	X	X	X X
17	511211	FEED BAR GUIDE HINGE PIN SPRING WASHER	X	X	X X
18	422340-001	FEED BAR PIVOT HINGE STUD	X	X	X X
19	314141	FEED BAR ASSEMBLY	X	X	X X
20	312851	FEED BAR PIVOT HINGE STUD CLAMP	X	X	X X
21	113455-003	FEED BAR PIVOT HINGE STUD CLAMP SCREW	X	X	X X

ALPHA FEED



ALPHA FEED (CONT.)



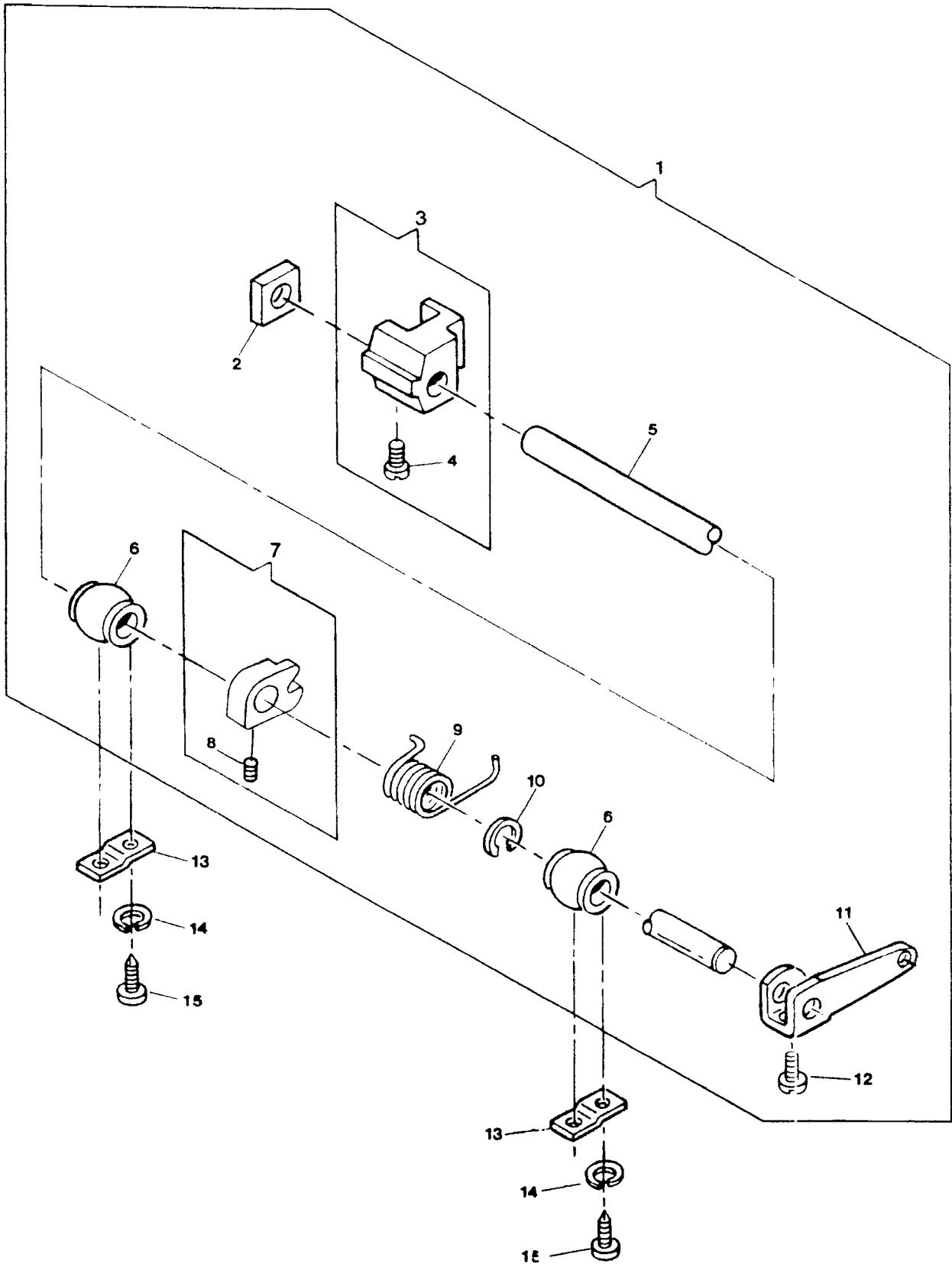
ALPHA FEED (CONT.)

REF. PART NO. NO.	DESCRIPTION	4 6 1 0	4 6 1 3	4 6 1 7	4 6 2 3	
22	354921-451	FEED & ROTATING HOOK DRIVE SHAFT BEARING BLOCK MOUNTING SCREW	X	X	X	X
23	314070	ROTATING HOOK DRIVE SHAFT BUSHING SPRING	X	X	X	X
24	312686	FEED LIFTING FORK CONNECTING RETAINING RING	X	X	X	X
25	511016	FEED LIFTING FORK CONNECTION	X	X	X	X
26	511056	FEED LIFTING FORK CONNECTING HINGE STUD (ECCENTRIC)	X	X	X	X
27	503325-002	FEED LIFTING FORK COMPL.	X	X	X	X
28	514685-451	FEED LIFTING FORK CONNECTING HINGE STUD (ECCENTRIC) SET SCREW	X	X	X	X
29	312685	FEED & ROTATING HOOK DRIVE SHAFT BEARING BLOCK STUD RETAINING RING	X	X	X	X
30	313910	FEED BAR CONNECTION ASSEMBLY COMPLETE	X	X	X	X
31	312685	FEED BAR CONNECTION AND FEED LIFTING FORK CONNECTION HINGE STUD (ECCENTRIC) RETAINING RING	X	X	X	X
32	314030	FEED BAR CONNECTION SPRING	X	X	X	X
34	313130	FEED BAR CONNECTION ASSEMBLY	X	X	X	X
35	313456	FEED BAR CONNECTION AND FEED LIFTING FORK CONNECTION HINGE STUD (ECCENTRIC) ALT: 312852	X	X	X	X
36	312872-900	FEED REGULATOR SLIDE BLOCK DRIVE CONNECTION	X	X	X	X
37	312864	FEED & ROTATING HOOK DRIVE SHAFT BEARING BLOCK ASSEMBLY	X	X	X	X
38	514674-451	FEED & ROTATING HOOK DRIVE SHAFT BEARING BLOCK MOUNTING SCREW NUT	X	X	X	X
39	312879-451	FEED DRIVE SHAFT GEAR WASHER	X	X	X	X
40	312869	FEED LIFTING CAM & FEED ECCENTRIC (APOLLO)	X			
40	312870	FEED LIFTING CAM & FEED ECCENTRIC (CENTAUR)		X	X	X
41	312902	FEED DRIVE SHAFT GEAR (PLASTIC)	X	X	X	X
42	312686	FEED DRIVE SHAFT GEAR RETAINING RING	X	X	X	X
43	312862-900	FEED DRIVE SHAFT	X	X	X	X
44	312851	FEED DRIVE SHAFT CLAMP	X	X	X	X
45	113455-003	FEED DRIVE SHAFT CLAMP SCREW	X	X	X	X

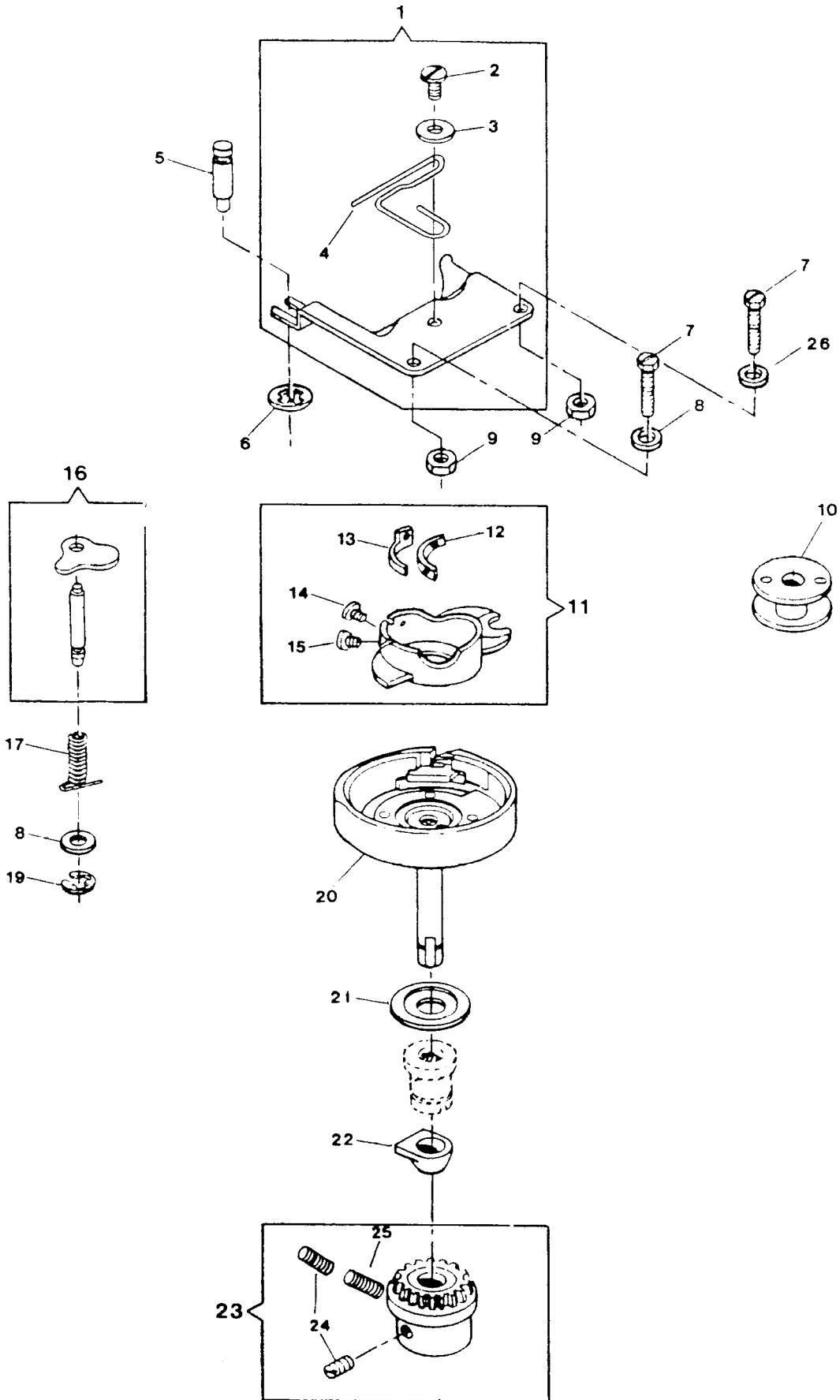
ALPHA FEED (CONT.)

REF. PART NO. NO.	DESCRIPTION	4	4	4	4
		6	6	6	6
		1	1	1	2
		0	3	7	3
1	313133 FEED REGULATOR SHAFT ASSEMBLY	X	X	X	X
2	511030 FEED REGULATOR SLIDE BLOCK	X	X	X	X
3	312874 FEED REGULATOR COMPL.	X	X	X	X
4	113515-451 FEED REGULATOR SCREW	X	X	X	X
5	314173 FEED REGULATOR SHAFT	X	X	X	X
6	312700-002 FEED REGULATOR SHAFT BUSHING (SELF-ALIGNING)	X	X	X	X
7	314175 FEED REGULATOR SHAFT TENSION SPRING ADJUSTING COLLAR ASSEMBLY	X	X	X	X
8	544207-001 FEED REGULATOR SHAFT TENSION SPRING ADJUSTING COLLAR SCREW	X	X	X	X
9	314172 FEED REGULATOR SHAFT TENSION SPRING	X	X	X	X
10	312875 FEED REGULATOR SHAFT RETAINING RING	X	X	X	X
11	312801 STITCH LENGTH CONTROL CRANK	X	X	X	X
12	354922-451 STITCH LENGTH CONTROL CRANK SCREW	X	X	X	X
13	313816 FEED REGULATOR SHAFT BUSHING (SELF-ALIGNING) CLAMP	X	X	X	X
14	314013-451 FEED REGULATOR SHAFT BUSHING (SELF-ALIGNING) CLAMP SCREW LOCK WASHER	X	X	X	X
15	113455-001 FEED REGULATOR SHAFT BUSHING (SELF-ALIGNING) CLAMP SCREW	X	X	X	X

ALPHA FEED (CONT.)



HOOK SYSTEM (APOLLO)



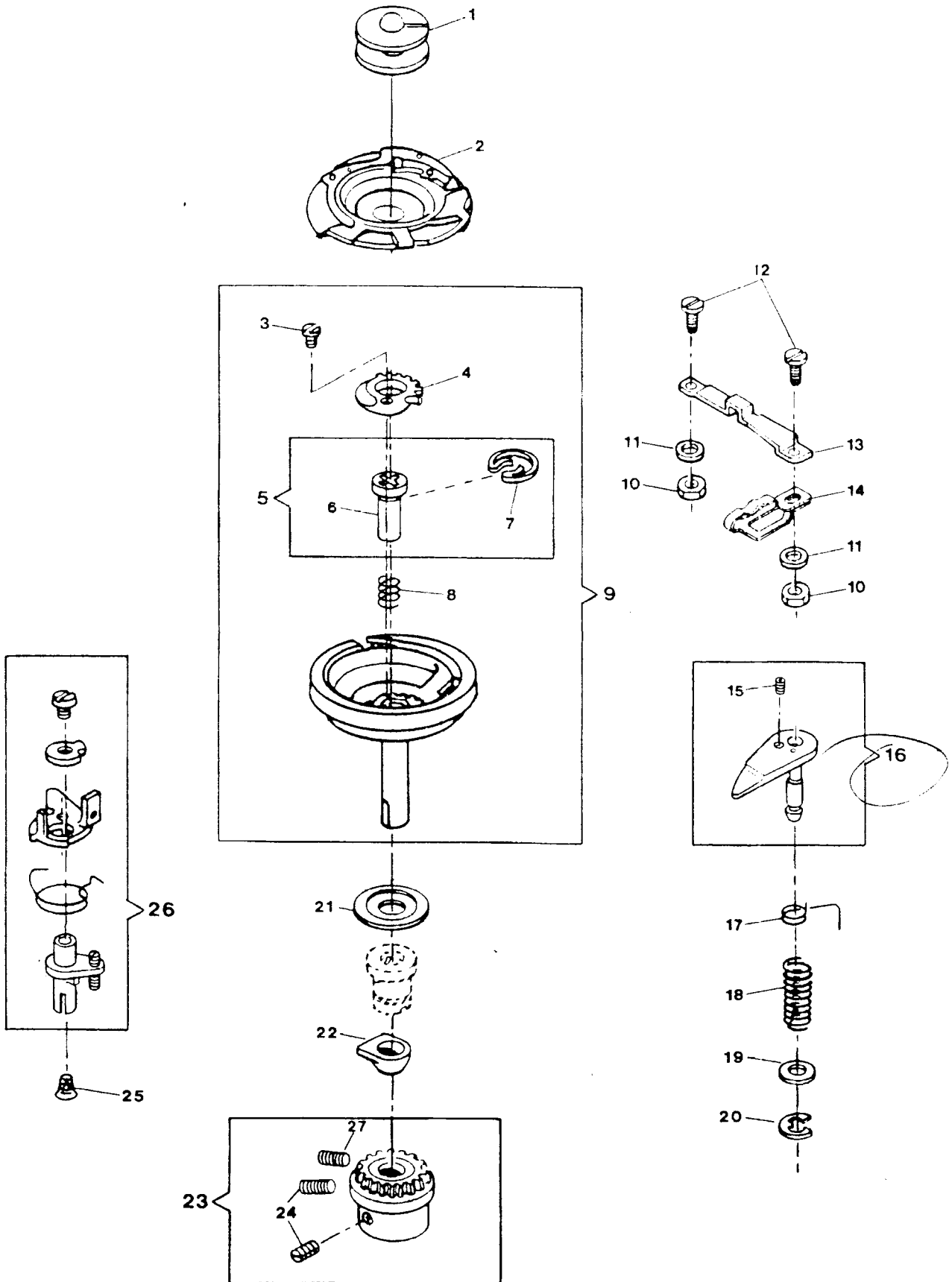
HOOK SYSTEM (APOLLO)

REF. NO.	PART NO.	DESCRIPTION	4	4	4	4
			6	6	6	6
			1	1	1	2
			0	3	7	3
1	313089	ROTATING HOOK BOBBIN CASE POSITION PLATE ASSEMBLY				X
1	314066	ROTATING HOOK BOBBIN CASE POSITION PLATE ASSEMBLY (ALTERNATE TO 313089)				X
2	354883-451	ROTATING HOOK BOBBIN CASE CUSHION SPRING SCREW				X
3	313190-451	ROTATING HOOK BOBBIN CASE CUSHION SPRING SCREW WASHER				X
4	313067-900	ROTATING HOOK BOBBIN CASE CUSHION SPRING				X
5	312603	ROTATING HOOK BOBBIN CASE POSITION PLATE HOLD DOWN STUD				X
6	313161	ROTATING HOOK BOBBIN CASE POSITION PLATE HOLD DOWN STUD RETAINING RING				X
7	113439-451	ROTATING HOOK BOBBIN CASE POSITION PLATE SCREW				X
8	313190-451	ROTATING HOOK BOBBIN CASE POSITION PLATE SCREW WASHER (LEFT)				X
9	313945-451	ROTATING HOOK BOBBIN CASE POSITION PLATE SCREW NUT				X
10	172336	ROTATING HOOK BOBBIN (PLASTIC)				X
11	421325001	ROTATING HOOK BOBBIN CASE COMPLETE				X
12	310884-452	ROTATING HOOK BOBBIN CASE TENSION SPRING SEGMENT				X
13	310883	ROTATING HOOK BOBBIN CASE TENSION SPRING				X
14	139975-452	ROTATING HOOK BOBBIN CASE TENSION SPRING SEGMENT SCREW				X
15	354183-452	ROTATING HOOK BOBBIN CASE TENSION REGULATING SCREW				X
16	312846	ROTATING HOOK BOBBIN CASE RETAINING PLATE SUB ASSEMBLY				X
17	312607	ROTATING HOOK BOBBIN CASE RETAINING PLATE STUD SPRING				X
18	313190-451	ROTATING HOOK BOBBIN CASE RETAINING PLATE STUD WASHER				X
19	313783	ROTATING HOOK BOBBIN CASE RETAINING PLATE STUD RETAINING RING				X
20	314025	ROTATING HOOK COMPLETE (ALTERNATE TO 313034)				X
21	314049	ROTATING HOOK FLANGED BUSHING THRUST WASHER				X
22	312847	ROTATING HOOK FLANGED BUSHING WASHER				X
23	314012	ROTATING HOOK BEVEL GEAR COMPLETE				X
24	544207-012	ROTATING HOOK BEVEL GEAR (PLASTIC) SET SCREW				X
25	544207-011	ROTATING HOOK BEVEL GEAR SET SCREW				X
26	446138	ROTATING HOOK BOBBIN CASE POSITION PLATE SCREW WASHER (RIGHT)				X

HOOK AND BOBBIN WINDING SYSTEM (CENTAUR)

REF. NO.	PART NO.	DESCRIPTION	4	4	4	4
			4	4	4	4
			6	6	6	6
			1	1	1	2
			0	3	7	3
1	312956	BOBBIN				
2	314662	ROTATING HOOK BOBBIN CASE COMPL. (USED WITH 314025)	X	X	X	
3	354973-451	ROTATING HOOK THREAD PULL-OFF INSERT SCREW	X	X	X	
4	312966	ROTATING HOOK THREAD PULL-OFF	X	X	X	
5	313155	ROTATING HOOK BOBBIN DRIVER CLUTCH SPRING ASSEMBLY	X	X	X	
6	312967	ROTATING HOOK BOBBIN DRIVER BUSHING	X	X	X	
7	313124	ROTATING HOOK BOBBIN DRIVER SHAFT CLUTCH SPRING	X	X	X	
8	312968	ROTATING HOOK BOBBIN DRIVER BUSHING RETURN SPRING	X	X	X	
9	313183-002	ROTATING HOOK ASSEMBLY	X	X	X	
10	313945-451	ROTATING HOOK BOBBIN CASE POSITION PLATE SCREW NUT	X	X	X	
11	313190-451	ROTATING HOOK BOBBIN CASE POSITION PLATE SCREW WASHER	X	X	X	
12	113439-451	ROTATING HOOK BOBBIN CASE POSITION PLATE SCREW	X	X	X	
13	312738	ROTATING HOOK BOBBIN CASE POSITION PLATE	X	X	X	
14	313068	BED SLIDE POSITIONER	X	X	X	
15	354891-451	ROTATING HOOK BOBBIN CASE RETAINING PLATE ADJUSTING SCREW	X	X	X	
16	313088	ROTATING HOOK BOBBIN CASE RETAINING PLATE COMPLETE	X	X	X	
17	313930	ROTATING HOOK BOBBIN CASE RETAINING PLATE RETURN SPRING	X	X	X	
18	314072	ROTATING HOOK BOBBIN CASE RETAINING PLATE SPRING	X	X	X	
19	313190-451	ROTATING HOOK BOBBIN CASE POSITION PLATE SCREW WASHER	X	X	X	
20	312702	ROTATING HOOK BOBBIN CASE RETAINING PLATE SPRING RETAINING RING	X	X	X	
21	314049	ROTATING HOOK FLANGED BUSHING THRUST WASHER	X	X	X	
22	312847	ROTATING HOOK FLANGED BUSHING WASHER	X	X	X	
23	314012	ROTATING HOOK BEVEL GEAR COMPLETE	X	X	X	
24	544207-012	ROTATING HOOK BEVEL GEAR (PLASTIC) SET SCREW	X	X	X	
25	354929-451	BED SLIDE ACTUATING LEVER STUD SCREW	X	X	X	
26	313956	BED SLIDE ACTUATING LEVER ASSEMBLY	X	X	X	
27	544207-011	ROTATING HOOK BEVEL GEAR SET SCREW	X	X	X	

HOOK AND BOBBIN WINDING SYSTEM (CENTAUR)



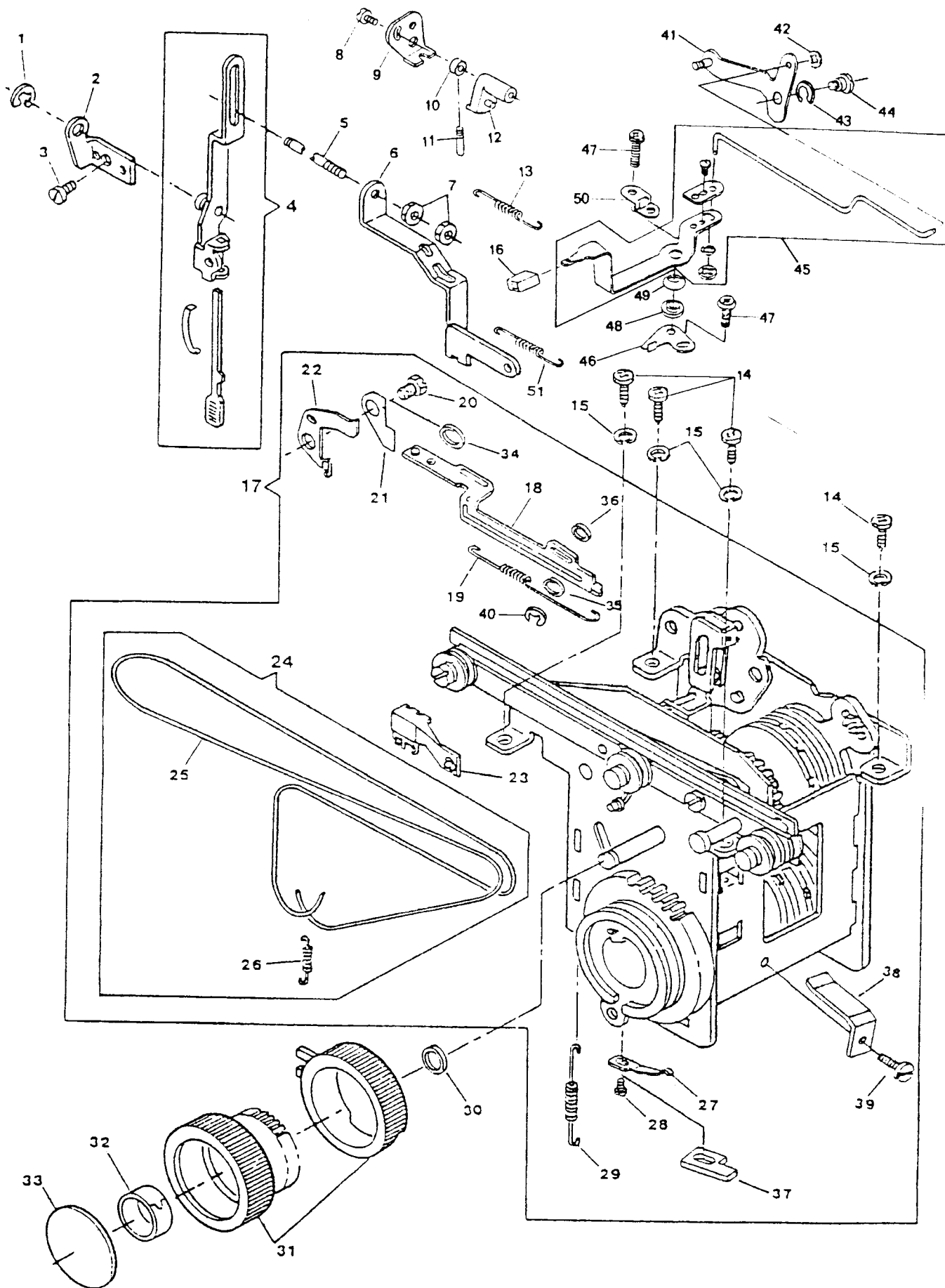
BLANK PAGE

PATTERN, STITCH LENGTH CONTROL & CAM CONTROLLED FEED (CONT.)

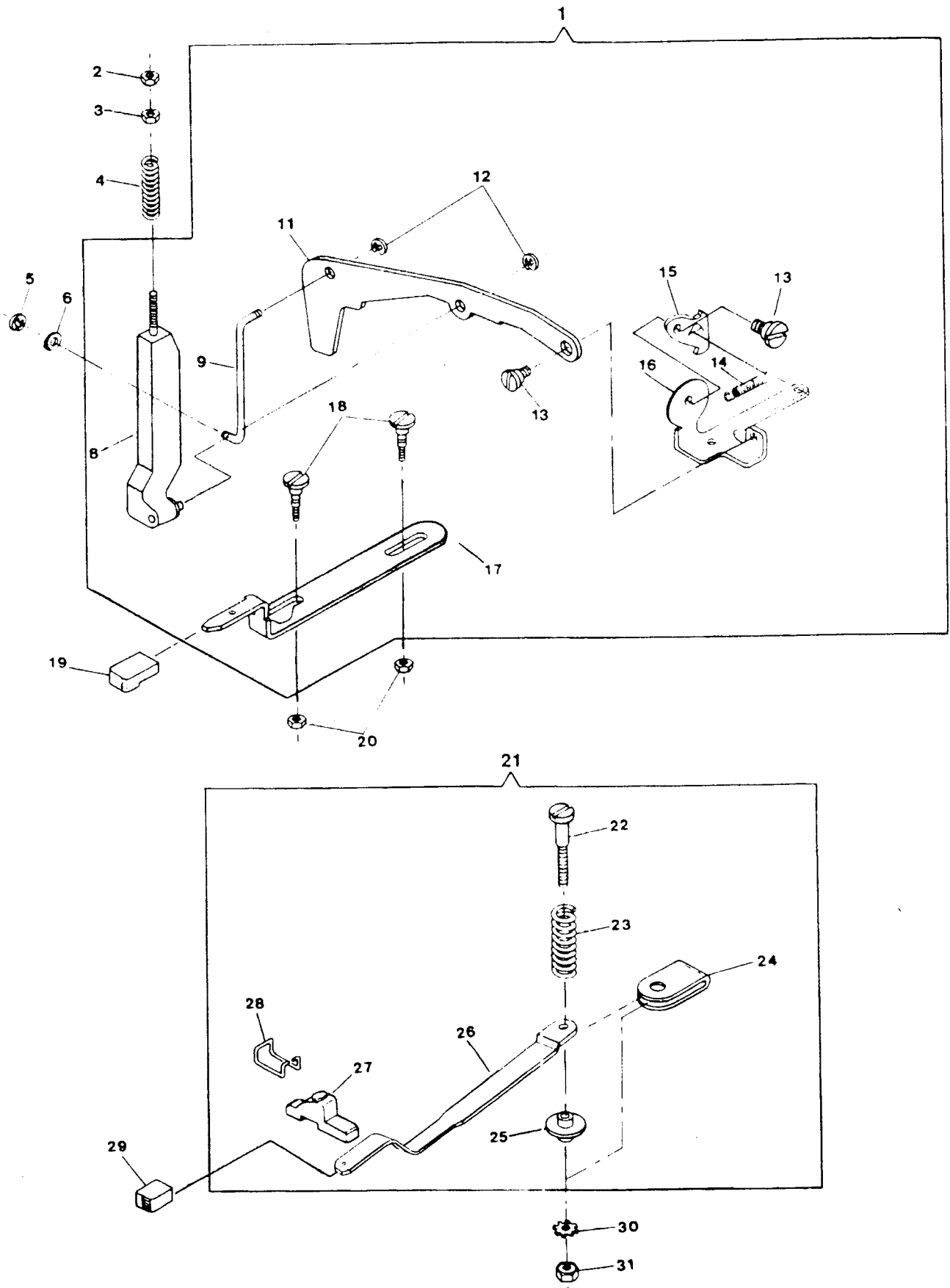
REF. PART NO.	PART NO.	DESCRIPTION	4	4	4	4
			4	4	4	4
			6	6	6	6
			1	1	1	2
			0	3	7	3
1	312685	BUTTONHOLER KICK-OUT SHAFT TRIPPING LEVER RETAINING RING				X X
2	313392	BUTTONHOLER LEVER PIVOT				X X
3	354877-451	BUTTONHOLE PIVOT LEVER SCREW				X X
4	312994-002	BUTTONHOLE KICK-OUT TRIPPING ROD LEVER ASSEMBLY				X
4	312994-003	BUTTONHOLE KICK-OUT TRIPPING ROD LEVER ASSEMBLY				X
5	312982	BUTTONHOLE TRIPPING LEVER ROD				X X
6	313005	BUTTONHOLE DISC CONTROL CATCH RELEASE LINK				X X
7	514674-451	BUTTONHOLE TRIPPING ROD ADJUSTING NUT				X X
7	514674-451	BUTTONHOLE TRIPPING ROD LOCKING NUT				X X
8	354935-451	BUTTONHOLE ACTUATOR CAM ADJUSTING BRACKET SCREW				X X
9	313073	BUTTONHOLE ACTUATOR CAM ADJUSTING BRACKET				X X
10	313022	BUTTONHOLE FOLLOWER HUB RELEASE				X X
11	313023	BUTTONHOLE FOLLOWER HUB RELEASE PIN				X X
12	313025	BUTTONHOLE ACTUATOR CAM				X X
13	314497	NEEDLE BAR DRIVING ARM SLIDE POSITIONING SPRING	X	X	X	X
14	113455-001	DISC SELECTOR MECHANISM MOUNTING PLATE SCREW (LEFT & RIGHT)	X	X	X	X
15	314013-451	DISC SELECTOR MECHANISM MOUNTING PLATE SCREW (LEFT & RIGHT) LOCK WASHER	X	X	X	X
16	314676-457	BIGHT AMPLITUDE CONTROL LEVER KNOB (PLASTIC)	X	X	X	X
17	314613-002	PATTERN SELECTOR MODULE				X
17	314732-002	PATTERN SELECTOR MODULE				X
17	317021-001	PATTERN SELECTOR MODULE	X			
17	317021-002	PATTERN SELECTOR MODULE				X
18	314492	NEEDLE BAR DRIVING ARM ASS'Y	X	X	X	X
19	313053	NEEDLE BAR DRIVING ARM RETURN SPRING	X	X	X	X
20	354984-451	FEED FOLLOWER BUTTONHOLE ADJUSTING ACTUATOR SCREW	X	X	X	X
21	314527	FEED FOLLOWER ACTUATOR SPACER	X	X	X	X
22	314526	FEED FOLLOWER BUTTONHOLE ADJUSTING ACTUATOR	X	X	X	X
23	314746-452	PATTERN SELECTOR INDICATOR ASSEMBLY				X
23	317044	PATTERN SELECTOR INDICATOR ASSEMBLY	X	X	X	
24	312916	PATTERN SELECTOR CORD ASSEMBLY	X	X	X	X
25	313888	PATTERN SELECTOR CORD	X	X	X	X
26	312917	PATTERN SELECTOR CORD TENSION SPRING	X	X	X	X
27	313113	PATTERN SELECTOR INDICATOR DETENT SPRING	X	X	X	X
28	354899-451	PATTERN SELECTOR INDICATOR DETENT SPRING SCREW	X	X	X	X
29	313033	BUTTONHOLE DISC CONTROL CATCH SPRING				X X
30	314153	PATTERN SELECTOR KNOB SPACER	X	X	X	X
31	314239-457	PATTERN SELECTOR KNOB AND STITCH BALANCE KNOB	X	X	X	X
32	313535	PATTERN SELECTOR KNOB COMPRESSION RING	X	X	X	X
33	314744-454	PATTERN SELECTOR KNOB TRIM PLATE	X	X	X	
33	314744-458	PATTERN SELECTOR KNOB TRIM PLATE	X	X	X	
34	502495-451	FEED FOLLOWER BUTTONHOLE ADJUSTING ACTUATOR SCREW WASHER	X	X	X	X
35	314493	STITCH WIDTH CONTROL BRACKET WASHER (FRONT)	X	X	X	X
36	314494	STITCH WIDTH CONTROL BRACKET WASHER (BACK)	X	X	X	X
37	314557	PATTERN SELECTOR INDICATOR REINFORCING DETENT SPRING	X	X	X	X
38	314553	PATTERN SELECTOR DRUM STABILIZING SPRING	X	X	X	X
39	113487-451	PATTERN SELECTOR DRUM STABILIZING SPRING SCREW	X	X	X	X
40	314502	BIGHT AMPLITUDE CONTROL BRACKET RETAINING RING	X	X	X	X
41	314603	BIGHT AMPLITUDE CONTROL BRACKET ASSEMBLY	X	X	X	X
42	314606	BIGHT AMPLITUDE CONTROL ROD RETAINING (LEFT)	X	X	X	X
43	312879-451	BIGHT AMPLITUDE CONTROL LEVER FRICTION WASHER	X	X	X	X
44	354875-451	BIGHT AMPLITUDE CONTROL BRACKET PIVOT SCREW	X	X	X	X
45	314607	BIGHT AMPLITUDE CONTROL LEVER ASSEMBLY				X X
46	314610	BIGHT AMPLITUDE CONTROL LEVER STOP				X X
47	113455-014	BIGHT AMPLITUDE CONTROL LEVER STOP ADJUSTMENT SCREW				X X
48	314611	BIGHT AMPLITUDE CONTROL LEVER SHOULDER WASHER				X X
49	353457	BIGHT AMPLITUDE CONTROL LEVER FRICTION WASHER				X X
50	314683	BIGHT AMPLITUDE CONTROL LEVER RETAINER				X X
51	313799	BUTTONHOLE ACTUATOR ADJUSTING ROD SPRING				X X

BLANK PAGE

PATTERN STITCH LENGTH CONTROL AND CAM CONTROLLED FEED (CONT.)



PATTERN STITCH LENGTH CONTROL AND CAM CONTROLLED FEED (CONT.)



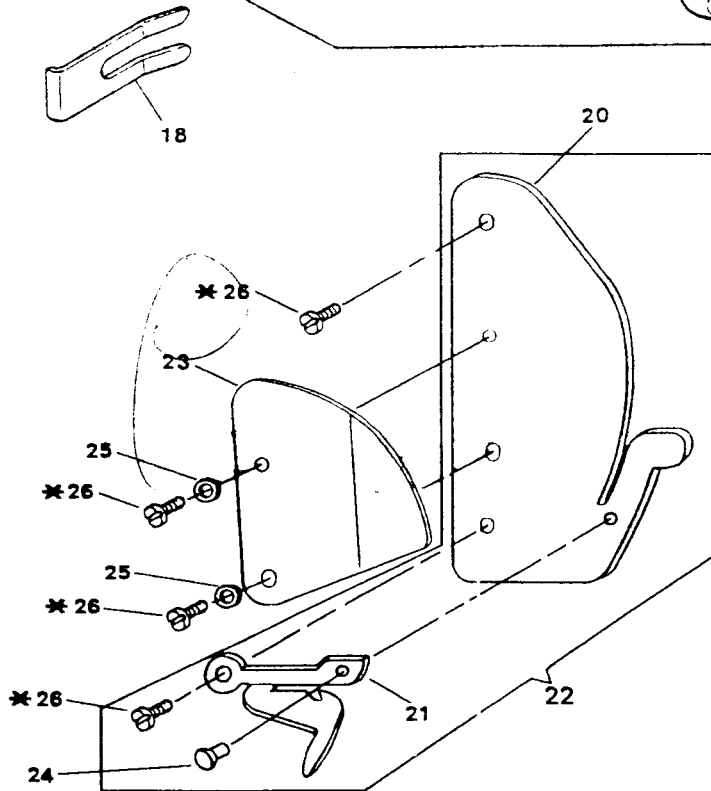
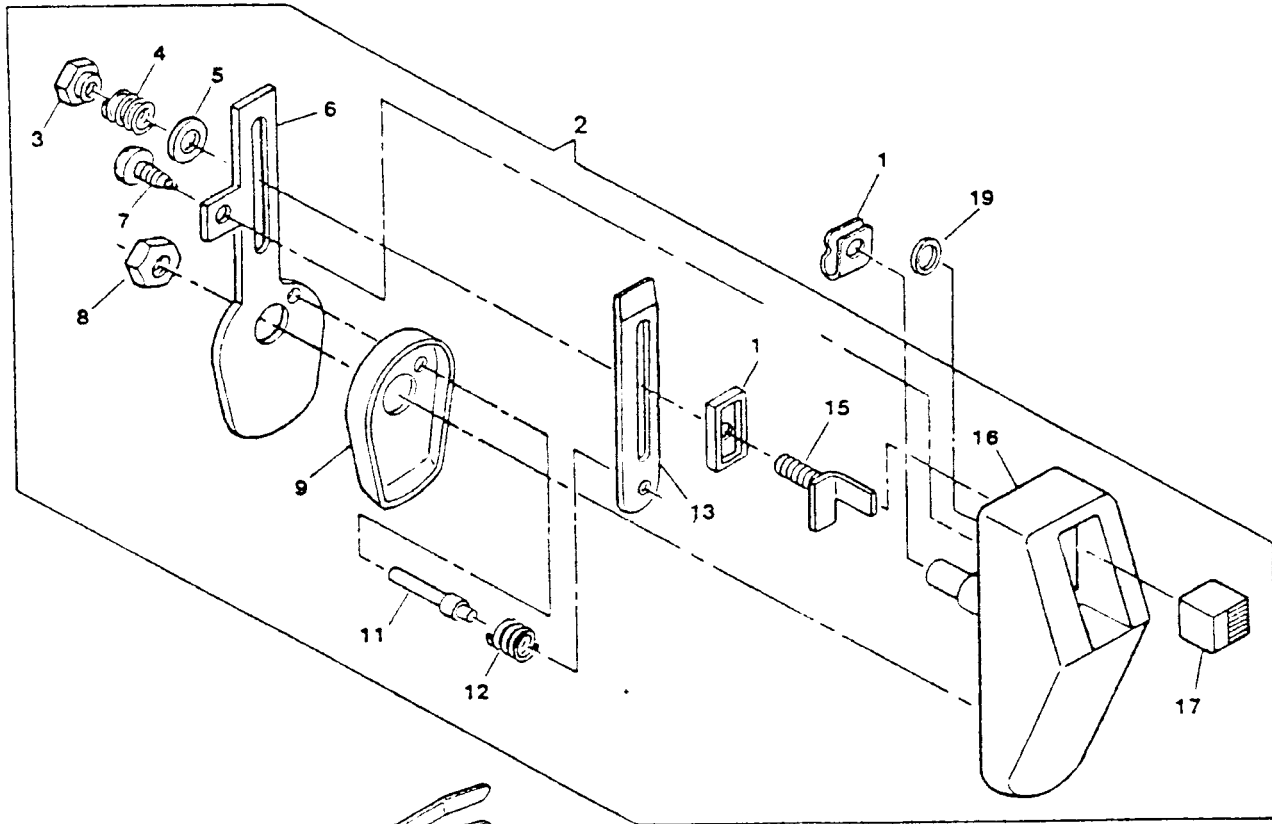
PATTERN, STITCH LENGTH CONTROL & CAM CONTROLLED FEED (CONT.)

REF. PART NO.	PART NO.	DESCRIPTION	4	4	4	4
			6	6	6	6
			1	1	1	2
			0	3	7	3
1	314300-001	FEED REVERSE MECHANISM	X	X		
1	314300-002	FEED REVERSE MECHANISM			X	X
2	514674-451	CAM CONTROLLED FEED CONNECTING ROD LOCKING NUT	X	X	X	X
3	312645-451	CAM CONTROLLED FEED DISC FOLLOWER ACTUATOR CONNECTING ROD ADJUSTING NUT	X	X	X	X
4	313143	CAM CONTROLLED FEED DISC FOLLOWER ACTUATOR CONNECTING ROD SPRING	X	X	X	X
5	312702	FEED LEVER CONNECTING LINK RETAINING RING	X	X	X	X
6	313891	CAM CONTROLLED FEED CONNECTING ROD STABILIZING WASHER	X	X	X	X
8	314549	CAM CONTROLLED FEED DISC FOLLOWER ACTUATOR CONNECTING ROD	X	X	X	X
9	313057	FEED LEVER CONNECTING LINK	X	X	X	X
11	314283	STITCH LENGTH CONTROL ARM	X	X	X	X
12	312702	CAM CONTROLLED FEED DISC FOLLOWER ACTUATOR CONNECTING ROD RETAINING RING	X	X	X	X
13	354958-451	REVERSE FEED LEVER PIVOT SCREW	X	X	X	X
14	314282	REVERSE FEED CRANK SPRING	X	X	X	X
15	314281	REVERSE FEED CRANK	X	X	X	X
16	314279-900	REVERSE FEED LEVER MOUNTING BRACKET	X	X	X	X
17	314280	REVERSE FEED CONTROL LEVER	X	X	X	X
18	113499-451	REVERSE FEED CONTROL LEVER & LATCH SCREW	X	X	X	X
19	312657-457	REVERSE FEED CONTROL LEVER KNOB (PLASTIC)	X	X	X	X
20	514674-451	REVERSE FEED CONTROL LEVER GUIDE SCREW NUT	X	X	X	X
21	313569	STITCH LENGTH CONTROL LEVER ASSEMBLY	X	X	X	X
22	113356-451	STITCH LENGTH CONTROL LEVER PIVOT SCREW	X	X	X	X
23	313567	STITCH LENGTH CONTROL LEVER SPRING	X	X	X	X
24	313566	STITCH LENGTH CONTROL FRICTION WASHER	X	X	X	X
25	313565-451	STITCH LENGTH CONTROL LEVER NUT	X	X	X	X
26	312663	STITCH LENGTH CONTROL LEVER	X	X	X	X
27	313960	STITCH LENGTH CONTROL LEVER CAM ASSEMBLY	X	X	X	X
28	313188	STITCH LENGTH CONTROL LEVER CAM RETAINING CLIP	X	X	X	X
29	312664-451	STITCH LENGTH CONTROL LEVER KNOB (PLASTIC)	X	X	X	
29	312664-457	STITCH LENGTH CONTROL LEVER KNOB (PLASTIC)				X
30	313172-451	STITCH LENGTH CONTROL LEVER PIVOT LOCK WASHER	X	X	X	X
31	313177-451	STITCH LENGTH CONTROL LEVER NUT	X	X	X	X

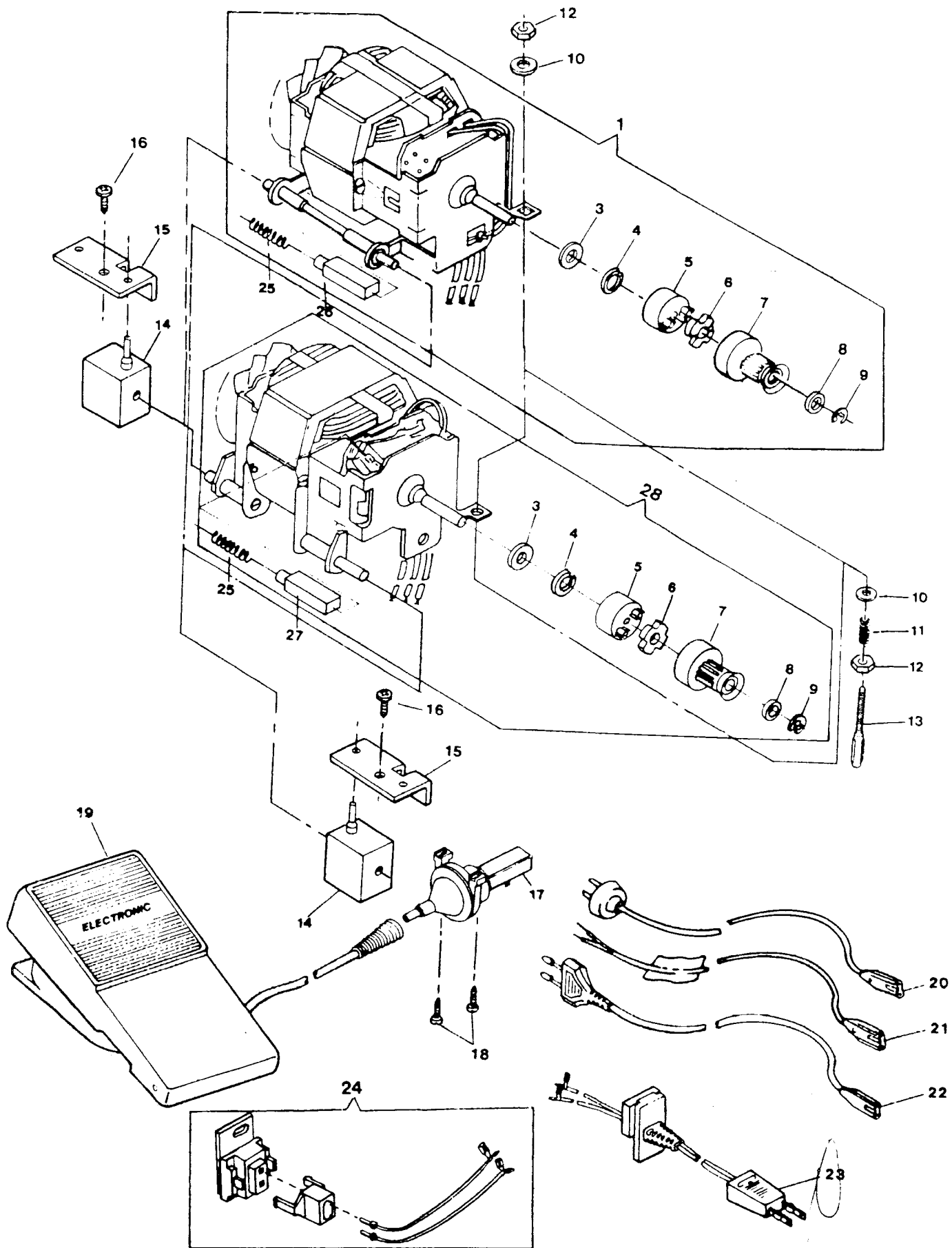
DEMAND RESPONSIVE NEEDLE TENSION SYSTEM

REF. PART NO. NO.	DESCRIPTION	4 6 1 0	4 6 1 3	4 6 1 7	4 6 2 3
1 313199	TENSION COVER MOUNTING RETAINER	X	X	X	X
2 317011-002	THREAD TENSION MODULE	X	X	X	X
3 314299-451	TENSION REGULATOR LEVER STUD NUT	X	X	X	X
4 312708	TENSION SPRING	X	X	X	X
5 312710	TENSION SPRING WASHER	X	X	X	X
6 314002	TENSION MOUNTING PLATE SUB-ASSEMBLY TAKE-OFF	X	X	X	X
7 113442-003	TENSION COVER MOUNTING SCREW	X	X	X	X
8 53641	TENSION COVER RETAINING STUD NUT	X	X	X	X
9 312703	TENSION DISC	X	X	X	X
9 313403	TENSION DISC (ALTERNATE TO 312703)	X	X	X	X
11 312705	TENSION RELEASE PIN	X	X	X	X
12 314005	PRE-TENSION SPRING	X	X	X	X
13 312707	TENSION LEVER	X	X	X	X
13 313904	TENSION LEVER (ALTERNATE)	X	X	X	X
14 313048	TENSION REGULATING LEVER SLIDE BLOCK	X	X	X	X
15 312946	TENSION REGULATING LEVER ASSEMBLY	X	X	X	X
16 317010-002	TENSION COVER ASSEMBLY	X	X	X	X
17 312664-457	TENSION REGULATING KNOB	X	X	X	X
18 313047	TENSION COVER RETAINING CLIP	X	X	X	X
19 314309	TENSION COVER SPACER (UPPER)	X	X	X	X
20 314685-900	THREAD WEAR PLATE (APOLLO)	X			
20 314697-900	THREAD WEAR PLATE (CENTAUR)		X	X	X
21 314687-900	THREAD GUIDE	X	X	X	X
22 314688	THREAD TAKE-UP WEAR PLATE ASS'Y (APOLLO)	X			
22 314698	THREAD TAKE-UP WEAR PLATE ASS'Y (CENTAUR)		X	X	X
23 314690	THREAD PINCH PLATE	X	X	X	X
24 314686-900	THREAD GUIDE RIVET	X	X	X	X
25 317166	PINCH PLATE MOUNTING SCREW WASHER	X	X	X	X
26 113524-451	MOUNTING SCREW	X	X	X	X

DEMAND RESPONSIVE NEEDLE TENSION SYSTEM



ELECTRICAL EQUIPMENT



ELECTRICAL EQUIPMENT

REF. PART NO. NO.	DESCRIPTION	4	4	4	4	
		6	6	6	6	
		1	1	1	2	
		0	3	7	3	
1	988529-009	MOTOR COMP. (CAT. NO. TA4-8) 120 VOLT (NATIONAL MOTOR)	X	X	X	X
1	988529-010	MOTOR COMP. (CAT. NO. TA4-11) 220/240 VOLT (NATIONAL MOTOR)	X	X	X	X
3	931744-001	SPACER WASHER (AS REQUIRED)	X	X	X	X
3	931744-002	SPACER WASHER (AS REQUIRED)	X	X	X	X
3	931744-003	SPACER WASHER (AS REQUIRED)	X	X	X	X
3	931744-103	SPACER WASHER (AS REQUIRED)	X	X	X	X
4	603908-001	RETAINING RING	X	X	X	X
5	988738-002	MOTOR PULLEY ISOLATOR HUB	X	X	X	X
6	988795-001	MOTOR PULLEY TORQUE CUSHION	X	X	X	X
7	979124-001	PULLEY WITH BELT RETAINER	X	X	X	X
8	988717-001	WASHER	X	X	X	X
9	619279-902	MOTOR PULLEY ISOLATOR HUB RETAINING RING	X	X	X	X
10	37969	MOTOR ADJUSTING STUD NUT WASHER	X	X	X	X
11	314058	MOTOR BELT TENSION SPRING	X	X	X	X
12	53646	MOTOR ADJUSTING STUD NUT	X	X	X	X
13	988653-001	MOTOR ADJUSTING STUD	X	X	X	X
14	979329-001	RESILIENT MOUNT	X	X	X	X
15	988651-001	CLIP	X	X	X	X
16	113470-004	MOTOR MOUNTING SCREW	X	X	X	X
17	988549-005	PNEUMATIC TRANSDUCER	X	X	X	X
18	113444-003	PNEUMATIC TRANSDUCER MOUNTING SCREW	X	X	X	X
19	988667-001	PNEUMATIC CONTROLLER ASSEMBLY	X	X	X	X
20	988638-004	APPLIANCE COUPLER FOR AUSTRALIA (BICENTENNIAL)	X	X	X	X
21	988638-003	APPLIANCE COUPLER (240 VOLT) FOR U.K.	X	X	X	X
22	988638-001	APPLIANCE COUPLER (220 VOLT) FOR EUROPE	X	X	X	X
23	988557-001	CORD W/STRAIN RELIEF AND PLUG (120 VOLT) FOR U.S./CANADA	X	X	X	X
24	988657-003	CORD WITH RECEPTACLE (EUROPE/U.K./AUSTRALIA)	X	X	X	X
25	619436-001	BRUSH SPRING (2)	X	X	X	X
26	619435-013	MOTOR BRUSH (2) (FOR NATIONAL MOTOR)	X	X	X	X
27	619435-015	MOTOR BRUSH (2) (FOR ITU MOTOR)	X	X	X	X
28	988529-009	MOTOR COMP. (CAT. NO. TA4-8) 120 VOLT (ITU MOTOR)	X	X	X	X
28	988529-010	MOTOR COMP. (CAT. NO. TA4-11) 220/240 VOLT (ITU MOTOR)	X	X	X	X

ELECTRICAL EQUIPMENT (CONT.)

REF. PART NO. NO.	DESCRIPTION	4	4	4	4
		6	6	6	6
		1	1	1	2
		0	3	7	3
1	314596-001 LINT AND HEAT SHIELD ASSEMBLY (220/240V)	X	X	X	X
2	979203-002 LIGHT ASSEMBLY (EUROPE) (220V)	X	X	X	X
2	979203-003 LIGHT ASSEMBLY (AUSTRALIA) (240V) (BICENTENNIAL)	X	X	X	X
3	540899 TY-WRAP SELF-LOCKING (ALT: 605600-001)	X	X	X	X
4	979203-001 LAMP SOCKET (120V) (US/CANADA)	X	X	X	X
5	314596-002 LINT AND HEAT SHIELD ASSEMBLY (100V)	X			
5	314596-003 LINT AND HEAT SHIELD ASSEMBLY (120V)	X	X	X	X
6	446138 HEAT SHIELD MOUNTING SCREW WASHER	X	X	X	X
7	544211-002 HEAT SHIELD MOUNTING SCREW	X	X	X	X
8	194120-021 LIGHT BULB (240 VOLT) (ALT: 542656-004) (BICENTENNIAL)	X	X	X	X
8	194120-020 LIGHT BULB (220 VOLT) (ALT: 542656-003)	X	X	X	X
8	194120-019 LIGHT BULB (120 VOLT) (ALT: 542656-005)	X	X	X	X
9	113445-003 THREAD TAKE-UP COVER AND LINT/HEAT SHIELD SCREW	X	X	X	X
10	988547-002 WASHER	X	X	X	X
11	113444-001 SCREW (P. C. BOARD MOUNTING)	X	X	X	X
12	988548-001 SWITCH OPERATOR (120 VOLT)	X	X	X	X
12	988548-002 SWITCH OPERATOR (220/240 VOLTS)	X	X	X	X
13	988547-001 WASHER	X	X	X	X
14	979123-004 SPEED CONTROL P. C. BOARD ASSEMBLY 120 VOLT (FULL WAVE)	X	X	X	X
14	979120-005 SPEED CONTROL P. C. BOARD ASSEMBLY 220/240 VOLTS (FULL WAVE)	X	X	X	X
14	979161-003 SPEED CONTROL P. C. BOARD ASSEMBLY 100 VOLT (FULL WAVE)	X	X	X	X
14	979192-005 SPEED CONTROL P. C. BOARD ASSEMBLY 220/240 VOLTS (FULL WAVE)	X	X	X	X
15	113455-001 SCREW (LIGHT HARNESS)	X	X	X	X
16	604690-001 SELF-LOCKING NYLON CABLE TIE (LIGHT HARNESS)	X	X	X	X

988557004

ELECTRICAL EQUIPMENT (CONT.)

