

SINGER
4572

LIST OF PARTS

Sewing Machine Models

4572

by **SINGER**[®]



A Publication of Product Support
International Group Engineering

Part No. 317161-089

Printed in Taiwan

® a Registered Trademark of The Singer Company Limited
Copyright 1999, Singer Sewing Machine Company

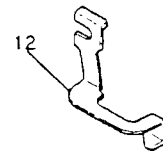
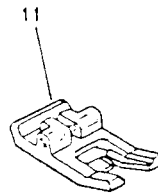
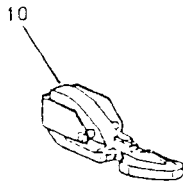
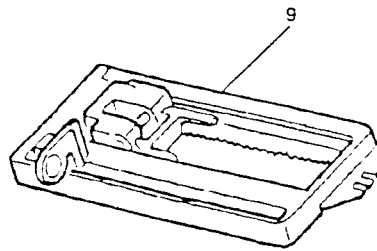
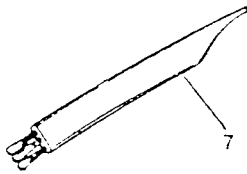
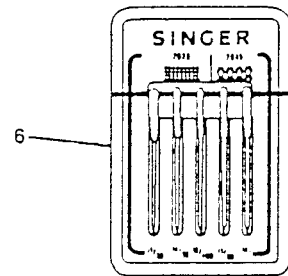
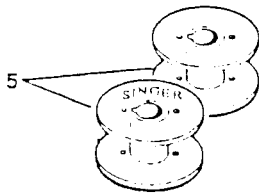
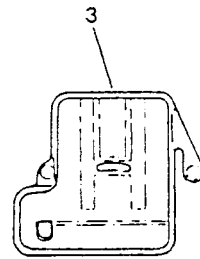
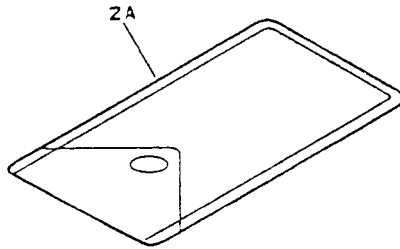
All rights reserved throughout the world

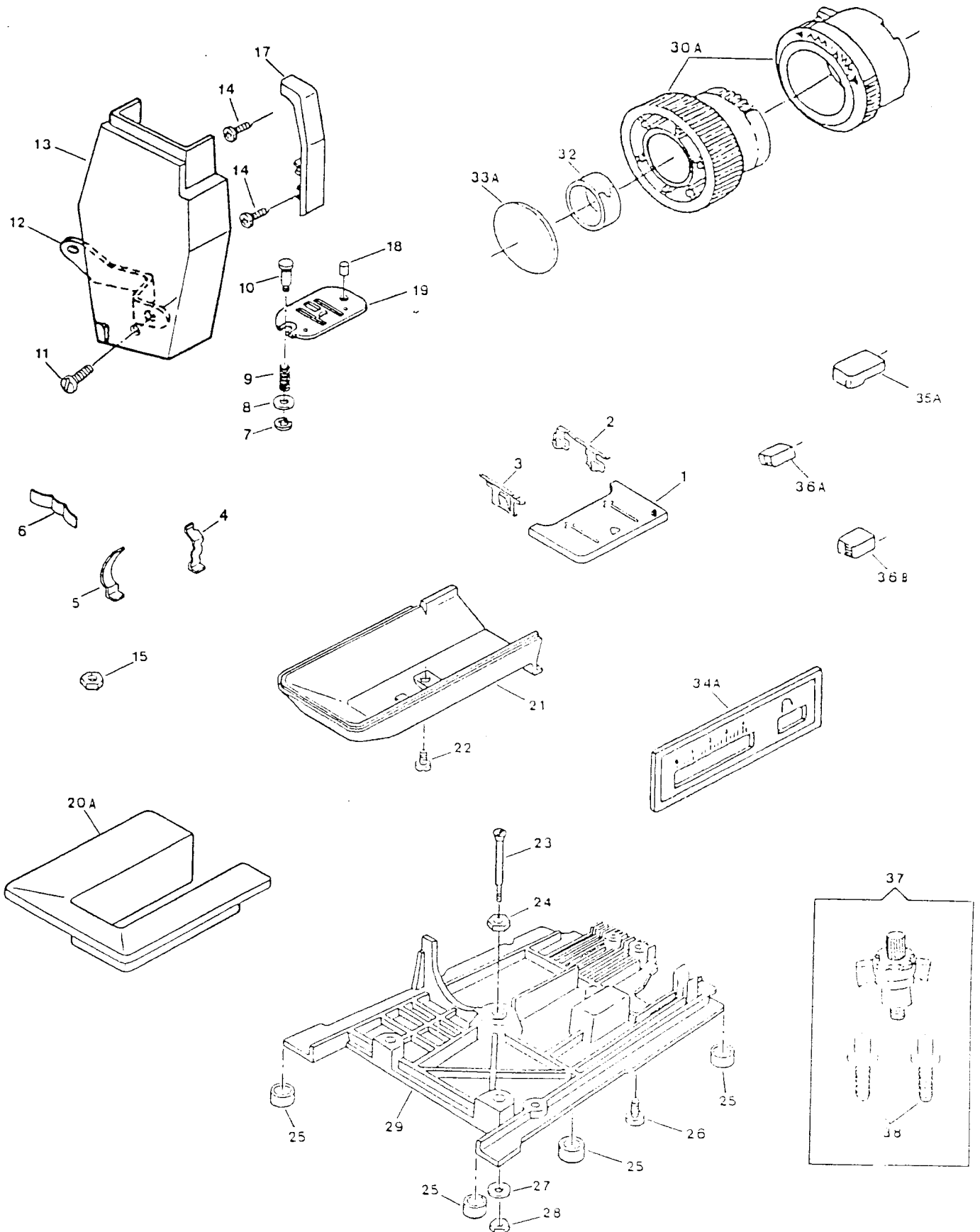
INDEX

PAGE NO.	SUBASSEMBLY
1 , 2	ATTACHMENT SET
3 , 4	COVERS AND ADD ONS
5 , 6	ARM TOP COVER
7 , 8	ARM SHAFT DRIVE SYSTEM
9 , 10	HAND WHEEL
11, 12	COAXIAL PRESSER BAR SYSTEM
13, 14	NEEDLE BAR & THREAD TAKE-UP
15, 16	ALPHA FEED
17, 18	HOOK SYSTEM (APOLLO)
19, 22	PATTERN, STITCH LENGTH CONTROL & CAM CONTROLLED FEED
23, 24	DEMAND RESPONSIVE NEEDLE TENSION SYTEM
25, 28	ELECTRICAL EQUIPMENT

ATTACHMENT SET
MODEL: 4572N503

REF. PART NO.	PART NO.	DESCRIPTION
1	313030-101	ATTACHMENT COMPLETE
2A	317396	ACCESSARY BAG
3	313117	FEED COVER PLATE
5	172336-001	BOBBIN (APOLLO)
6	353364	NEEDLE PACK
7	546358-453	LINT BRUSH
9	137920-451	PRESSER FOOT PLATE COMPLETE (1-STEP) FOR SEWING BUTTONHOLE (PLASTIC)
10	171480	PRESSER FOOT PLATE FOR CORDING AND SLIDE FASTENERS COMPLETE
11	171463	SPECIAL PURPOSE PRESSER FOOT PLATE
12	171110	BLINDSTITCH GUIDE





COVERS AND ADD ONS

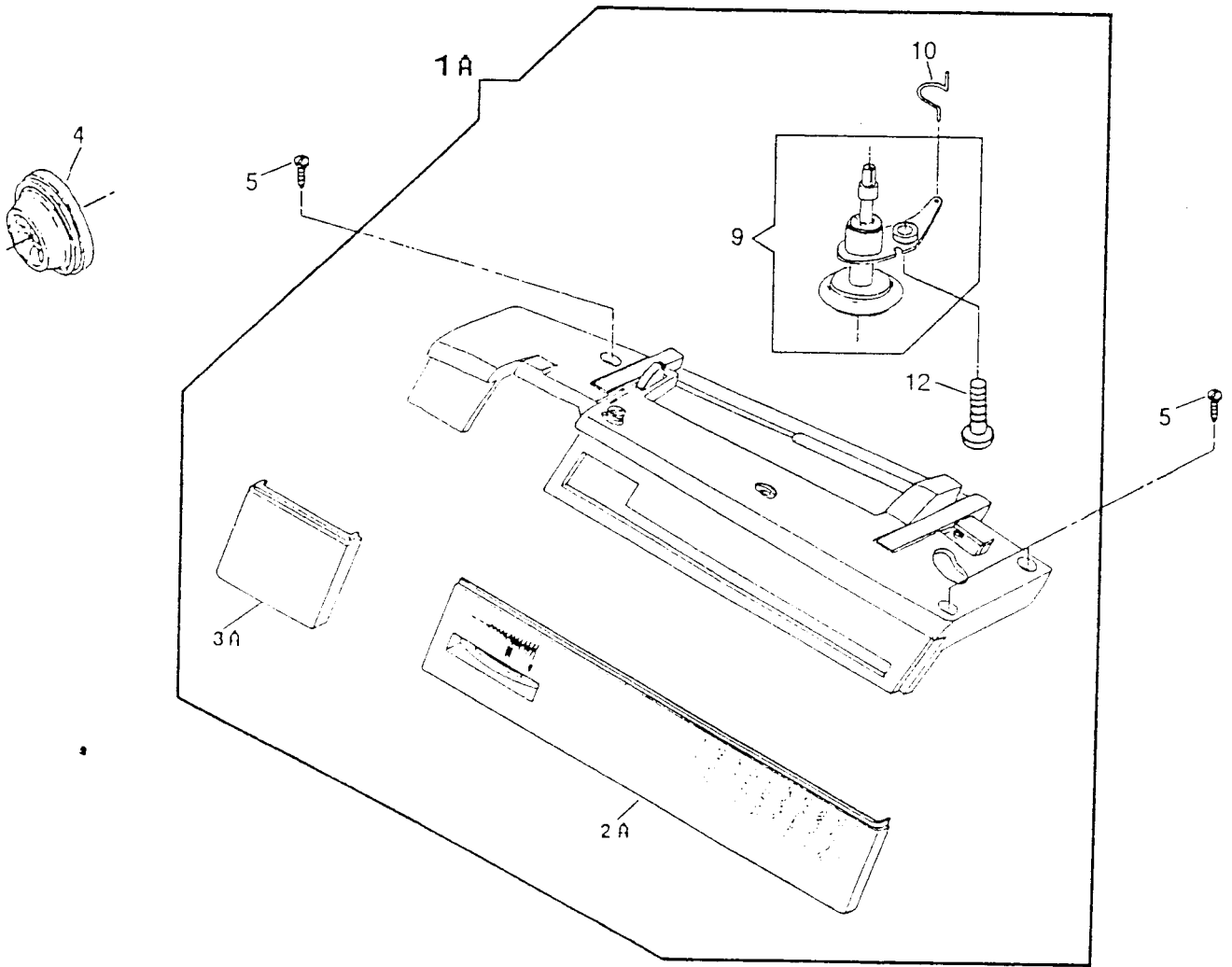
MODEL: 4572N503

REF. NO.	PART NO.	DESCRIPTION
1	314666	BED SLIDE ASSEMBLY COMPLETE (APOLLO)
2	314669	BED SLIDE SPRING (RIGHT)
3	314670	BED SLIDE SPRING (LEFT)
4	313178	BED SLIDE STOP
5	313179	BED SLIDE STOP SPRING
6	313118	CLOTH PLATE SPRING
7	313098	THROAT PLATE POUNGER RETAINING RING
8	549426-451	THROAT PLATE PUNGER WASHER
9	312805	THROAT PLATE PLUNGER SPRING
10	312804	THROAT PLATE PLUNGER
11	137250-001	FACE PLATE MOUNTING SCREW
12	317226	FACE PLATE MOUNTING BRACKET
13	314259-008	FACE PLATE COMPLETE (#3913)
14	113470-003	THREAD TAKE-UP COVER MOUNTING SCREW
15	313049	BED INSERT NUT
17	137915-009	THREAD TAKE-UP COVER COMPLETE (#310K)
18	353624	THROAT PLATE LOCATING PIN
19	312777	THROAT PLATE FOR ZIG-ZAG SEWING
20A	317379-901	CLOTH PLATE
21	312773-454	BED COVER (TUBULAR)
22	354633-452	BED COVER (TUBULAR) SCREW
23	313052-451	BOTTOM COVER MOUNTING BOLT
24	313173-451	BOTTOM COVER MOUNTING BOLT RETAINING NUT
25	313909-451	BED LEG CUSHION
26	113455-002	BED COVER PLATE (BOTTOM) SCREW
27	314712-451	BOTTOM COVER MOUNTING BOLT WASHER
28	313177-452	BOTTOM COVER MOUNTING BOLT MOUNTING NUT
29	312774-001	BED COVER PLATE (BOTTOM)
30A	314239-472	PATTERN SELECTOR KNOB AND STITCH BALANCE KNOB KIT ASSEMBLY
32	313535	PATTERN SELECTOR KNOB COMPRESSION RING
33A	314744-513	PATTERN SELECTOR KNOB TRM PLATE
34A	317009-033	STITCH LENGTH CONTROL PANEL WITH GRAPHICS
35A	312657-468	REVERSE FEED CONTROL LEVER KNOB (PLASTIC)
36A	314676-468	BIGHT AMPLITUDE CONTROL LEVER KNOB (PLASTIC)
36B	312664-469	STITCH LENGTH CONTROL LEVER KNOB AND TENSION REGULATING KNOB (PLASTIC) AND NEEDLE POSITION CONTROL LEVER KNOB
37	313180	MACHINE HOLD DOWN MOUNTING KIT
38	148869	MACHINE LOCATOR PIN

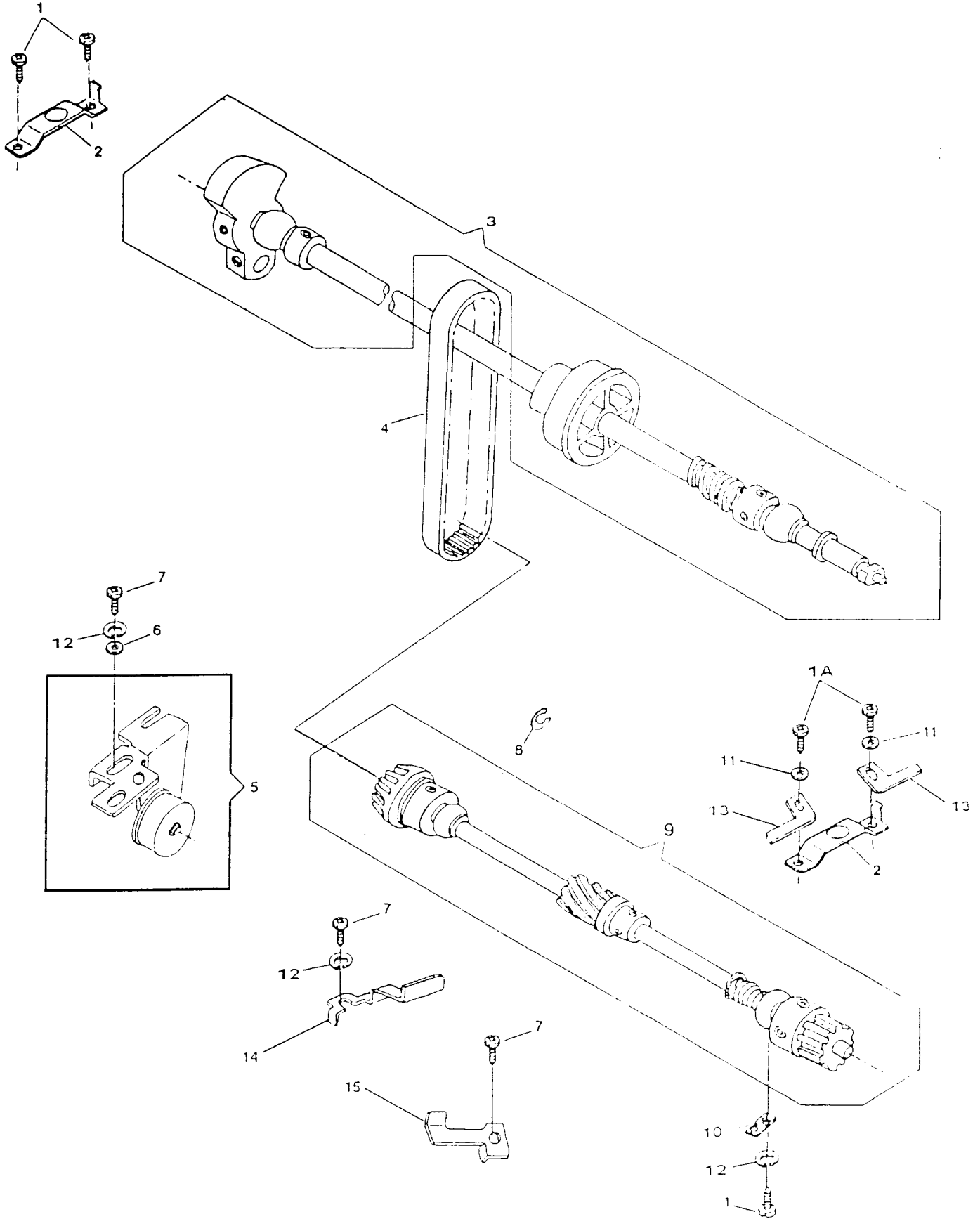
ARM TOP COVER
MODEL: 4572N503

REF. PART NO.	PART NO.	DESCRIPTION
1A	317027-039	ARM TOP COVER COMPLETE WITH HANDLE
2A	317197-917	CONTROL PANEL WITH GRAPHICS
3A	314703-814	CONTROL PANEL EXTENSION WITH GRAPHICS
4	179967-461	SPOOL PIN THREAD LEAD-OFF
5	354927-001	ARM TOP COVER MOUNTING SCREW
9	137887-001	BOBBIN WINDER ASSEMBLY
10	312897-001	BOBBIN WINDER LEVER SPRING
12	354927-004	BOBBIN WINDER LEVER HINGE SCREW

ARM TOP COVER



ARM SHAFT DRIVE SYSTEM

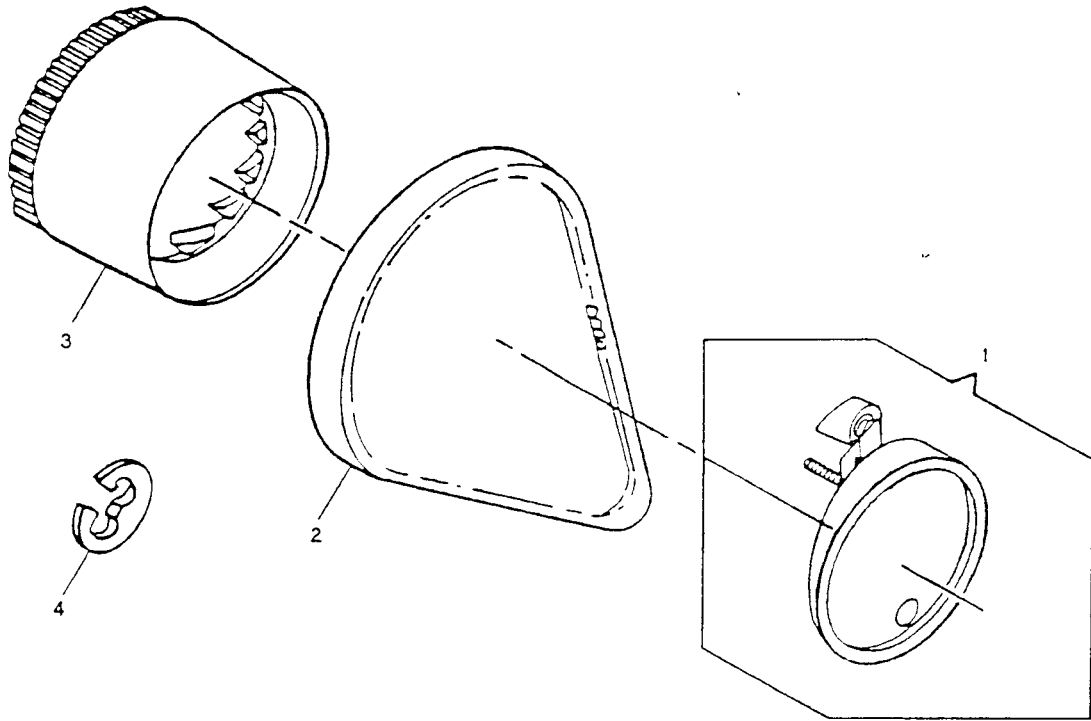


ARM SHAFT DRIVE SYSTEM
MODEL: 4572N503

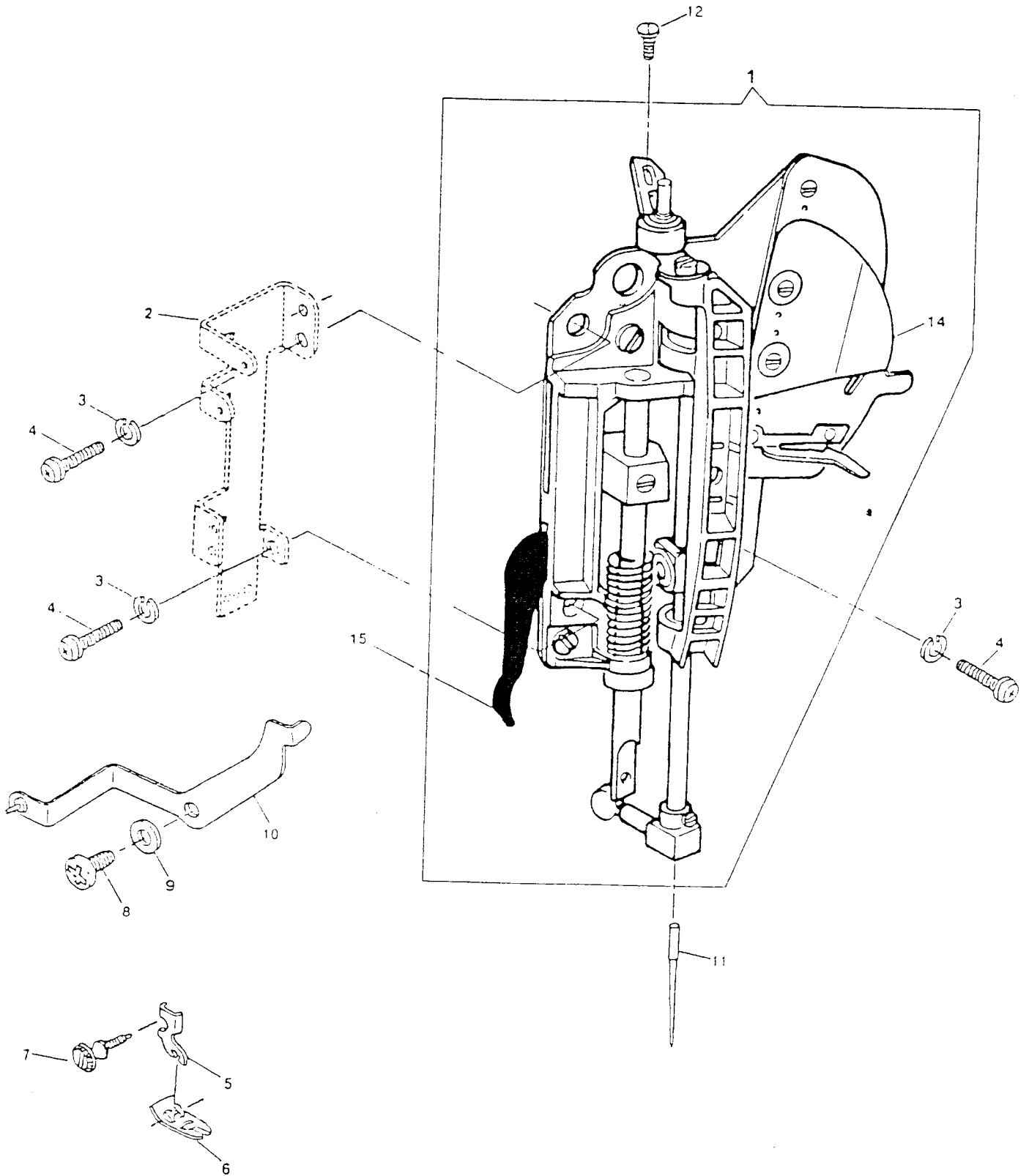
REF. PART NO. NO.	DESCRIPTION
1 113455-002	ARM SHAFT (HORIZONTAL) BUSHING (LEFT) CLAMP SCREW
1A 113455-004	ARM SHAFT (HORIZONTAL) BUSHING (RIGHT) CLAMP SCREW
2 312796	ARM SHAFT (HORIZONTAL) BUSHING (LEFT & RIGHT) CLAMP
3 313111-002	ARM SHAFT ASSEMBLY (APOLLO)
4 603975-011	BELT (ROTATING HOOK DRIVE)
5 313195-001	IDLER BRACKET ASSEMBLY
6 314041-451	ROTATING HOOK DRIVING BELT TENSION ADJUSTER SCREW WASHER
7 113455-002	ROTATING HOOK DRIVING BELT TENSION ADJUSTER SCREW
8 313153	HAND WHEEL RETAINING RING
9 370560	ROTATING HOOK DRIVE SHAFT SUB-ASSEMBLY
10 313816	ROTATING HOOK DRIVE SHAFT BUSHING (SELF-ALIGNING) CLAMP
11 316164	WASHER, ROTATING HOOK DRIVE SHAFT BUSHING (SELF-ALIGNING) CLAMP SCREW
12 314013-451	LOCK WASHER, ROTATING HOOK DRIVING BELT TENSION ADJUSTER SCREW
13 137873	MOTOR BELT STOP PLATE
14 137916	ROTATING HOOK DRIVE SHAFT BELT SLIP PREVENTION GUARD (LOWER)
15 137286	ROTATING HOOK DRIVE SHAFT BELT SLIP PREVENTION GUARD

HAND WHEEL
MODEL: 4572N503

REF. PART NO.	PART NO.	DESCRIPTION
1	316070-001	HAND WHEEL CLUTCH PLATE ASSEMBLY
2	312628-001	BELT (MOTOR DRIVE) ALT: 979285-001
3	137892-451	HAND WHEEL
4	313153	HAND WHEEL RETAINING RING



REV. DATE: 09/22/98 PAGE: 11
COAXIAL PRESSER BAR SYSTEM



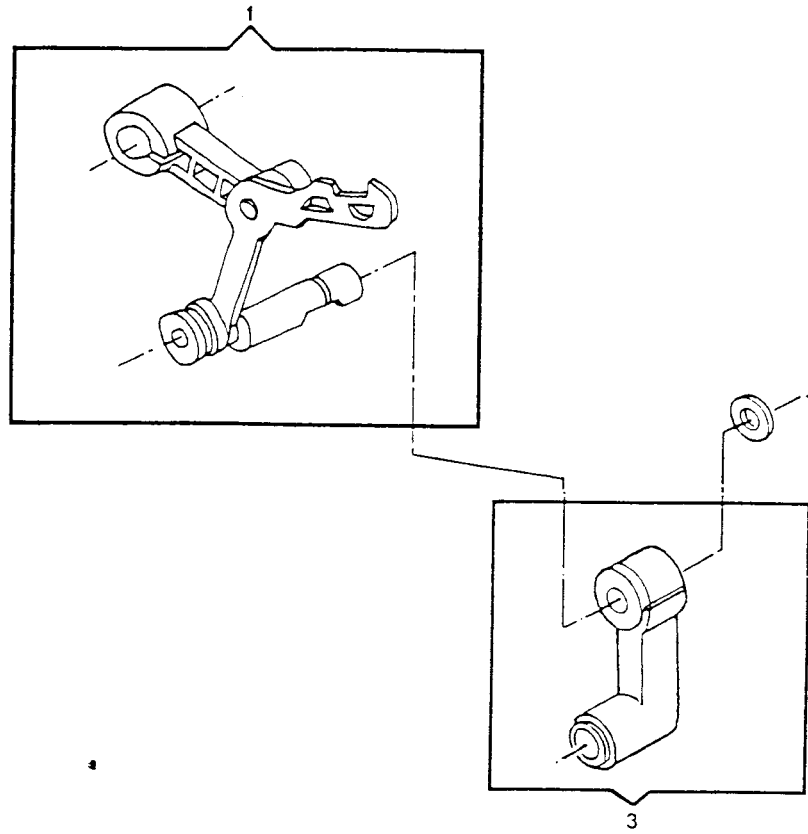
COAXIAL PRESSER BAR SYSTEM

MODEL: 4572N503

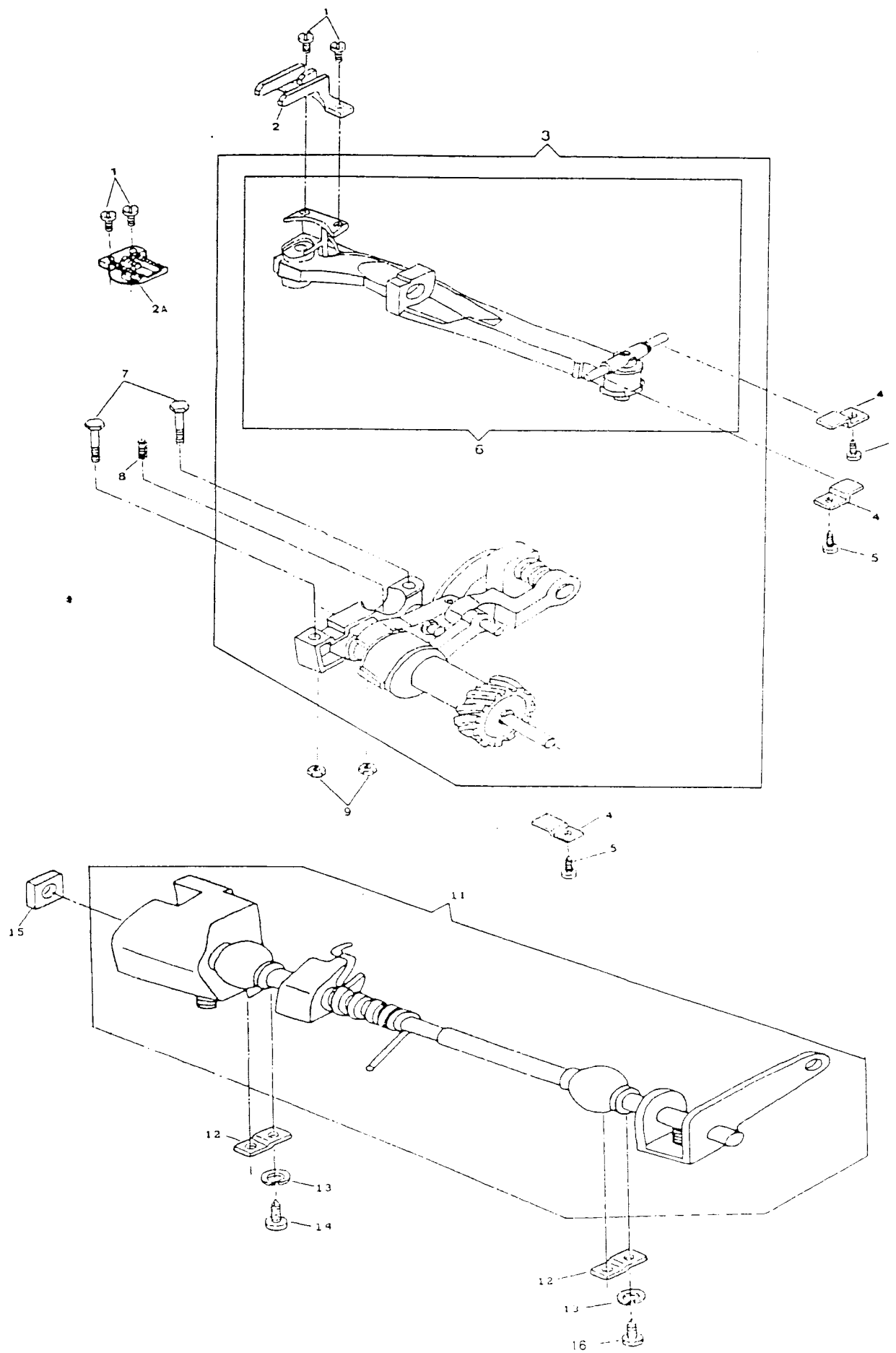
REF. PART NO.	PART NO.	DESCRIPTION
1	314695-002	HEAD END MODULE (APOLLO)
2	314591	FACE PLATE MOUNTING BRACKET
3	313955-451	HEAD END MOUNTING PLATE LOCK WASHER
4	113455-012	HEAD END MOUNTING PLATE SCREW
5	163706-451	PRESSER FOOT SHANK (SNAP-ON)
6	313150	PRESSER FOOT PLATE (SNAP-ON) FOR ZIG-ZAG SEWING
7	113531-451	PRESSER FOOT THUMB SCREW
8	113455-001	NEEDLE THREAD TENSION RELEASE LEVER HINGE SCREW
9	314041-451	NEEDLE THREAD TENSION RELEASE LEVER RETAINING WASHER
10	314589	NEEDLE THREAD TENSION RELEASE LEVER ASSEMBLY
11	N2020-014	NEEDLE (SIZE NO.14)
12	137813-002	NEEDLE BAR DRIVING ARM BALL JOINT SCREW
14	314690	THREAD PINCH PLATE
15	314582	PRESSER BAR LIFTER

NEEDLE BAR AND THREAD TAKE-UP
MODEL: 4572N503

REF. PART NO.	PART NO.	DESCRIPTION
1	314694	THREAD TAKE-UP COMPLETE (APOLLO)
2	137528-901	NEEDLE BAR CONNECTING LINK
3	314071	WASHER, THREAD TAKE-UP LEVER



ALPHA FEED

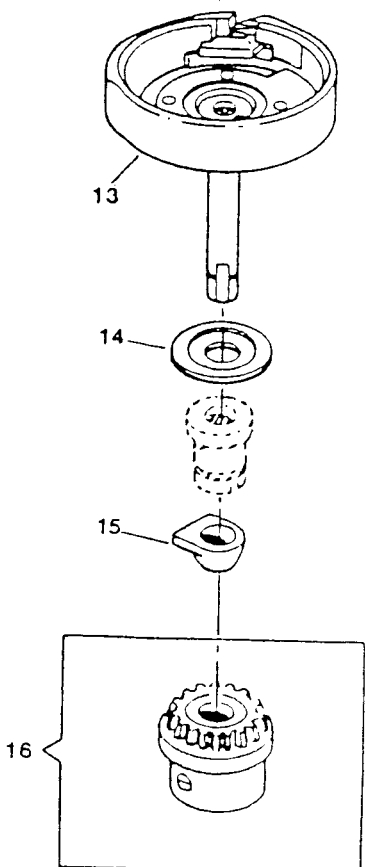
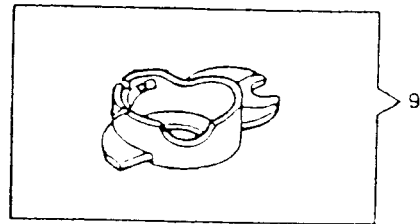
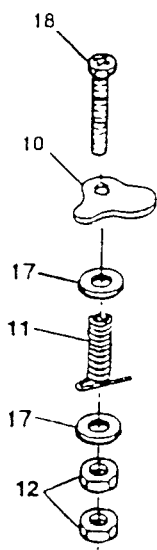
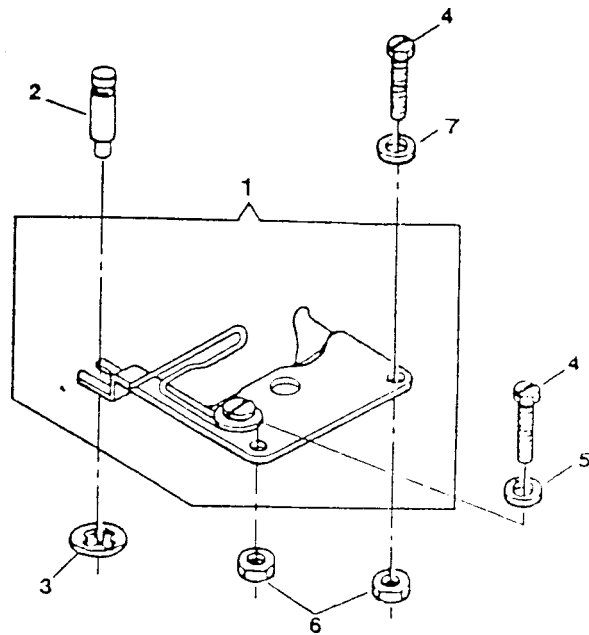


ALPHA FEED
MODEL: 4572N503

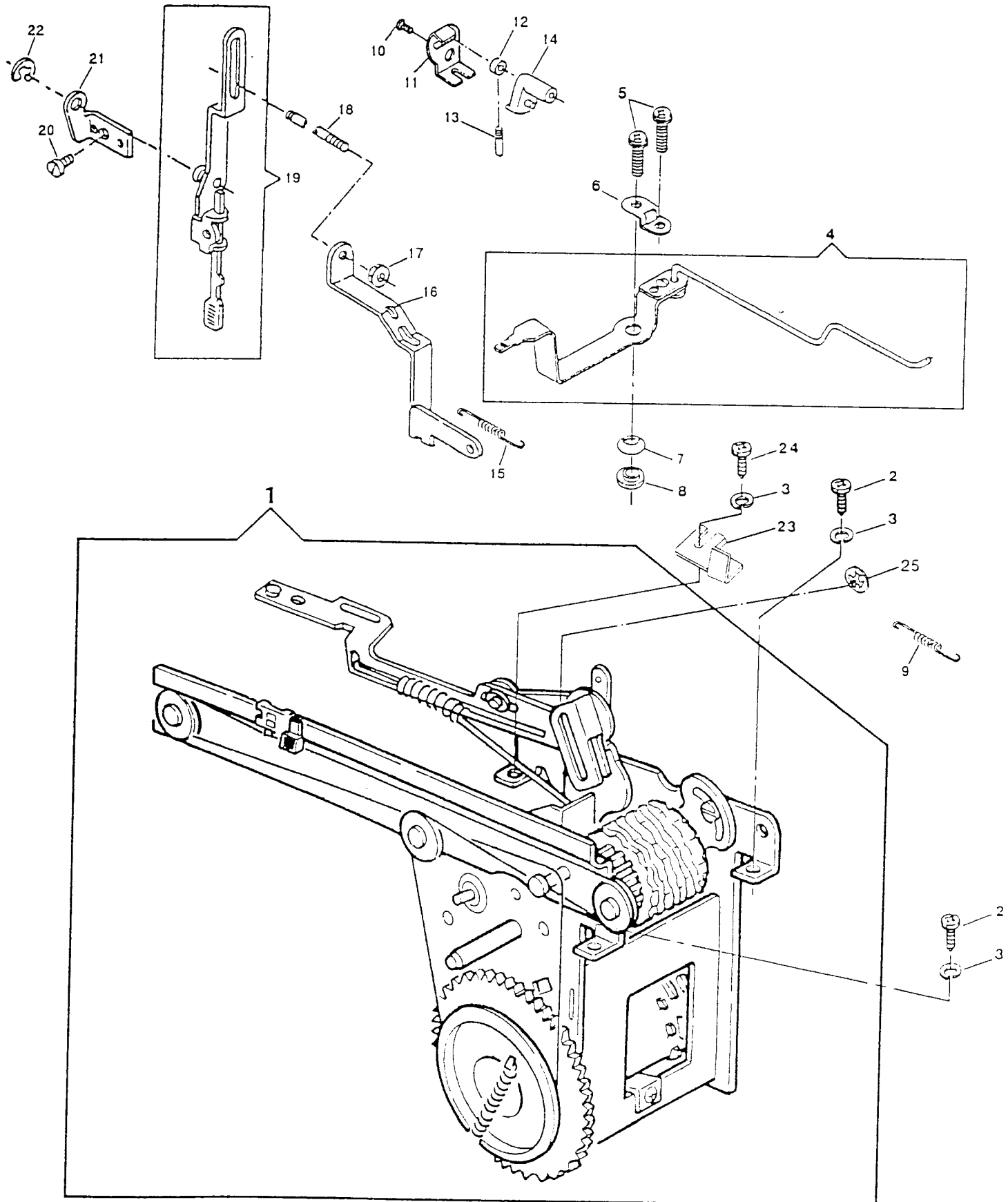
REF. PART NO.	PART NO.	DESCRIPTION
1	141920-452	FEED DOG SCREW
2A	312679	FEED DOG (APOLLO)
3	314140-002	ALPHA FEED MODULE
4	312851	FEED BAR PIVOT HING STUD CLAMP
5	113455-003	CLAMP SCREW
6	314141	FEED BAR ASSEMBLY
7	354921-451	FEED & ROTATING HOOK DRIVE SHAFT BEARING BLOCK SCREW
8	314070	ROTATING HOOK DRIVE SHAFT BUSHING SPING
9	514674-451	FEED & ROTATING HOOK DRIVE SHAFT BEARING BLOCK MOUNTING SCREW NUT
11	313133	FEED REGULATOR SHAFT ASSEMBLY
12	313816	FEED REGULATOR SHAFT BUSHING (SELF-ALIGNING) CLAMP
13	314013-451	FEED REGULATOR SHAFT BUSHING (SELF-ALIGNING) CLAMP SCREW LOCK WASHER
14	113455-001	FEED REGULATOR SHAFT BUSHING (SELF-ALIGNING) CLAMP SCREW
15	511030	FEED REGULATOR SLIDE BLOCK
16	113455-002	FEED REGULATOR BUSHING CLAMP SCREW (RIGHT)

HOOK SYSTEM (APOLLO)
MODEL: 4572N503

REF. NO.	PART NO.	DESCRIPTION
1	313089	ROTATING HOOK BOBBIN CASE POSITION PLATE ASSEMBLY
2	312603	ROTATING HOOK BOBBIN CASE POSITION PLATE HOLD DOWN STUD
3	313161	ROTATING HOOK BOBBIN CASE POSITION PLATE HOLD DOWN STUD RETAINER
4	113439-451	ROTATING HOOK BOBBIN CASE POSITION PLATE SCREW
5	313190-451	ROTATING HOOK BOBBIN CASE POSITION PLATE SCREW WASHER
6	313945-451	ROTATING HOOK BOBBIN CASE POSITION PLATE SCREW NUT
7	446138	ROTATING HOOK BOBBIN CASE POSITION PLATE SCREW WASHER (RIGHT)
8	172336-001	ROTATING HOOK BOBBIN (PLASTIC)
9	421325	ROTATING HOOK BOBBIN CASE COMPLETE
10	313395-900	ROTATING HOOK BOBBIN CASE RETAINING PLATE
11	44892	ROTATING HOOK BOBBIN CASE RETAINING PLATE STUD SPRING
12	514674-451	ROTATING HOOK BOBBIN CASE RETAINING PLATE STUD RETAINING RING
13	447926-932	ROTATING HOOK COMPLETE
14	314049-001	ROTATING HOOK FLANGED BUSHING THRUST WASHER
15	312847	ROTATING HOOK FLANGED BUSHING WASHER
16	314012	ROTATING HOOK BEVEL GEAR COMPLETE
17	931929-004	WASHER, BOBBIN CASE RETAINING
18	137315-453	ROTATING HOOK BOBBIN CASE RETAINING PLATE SCREW



ATTERN STITCH LENGTH CONTROL AND CAM CONTROLLED FEED (CONT.)



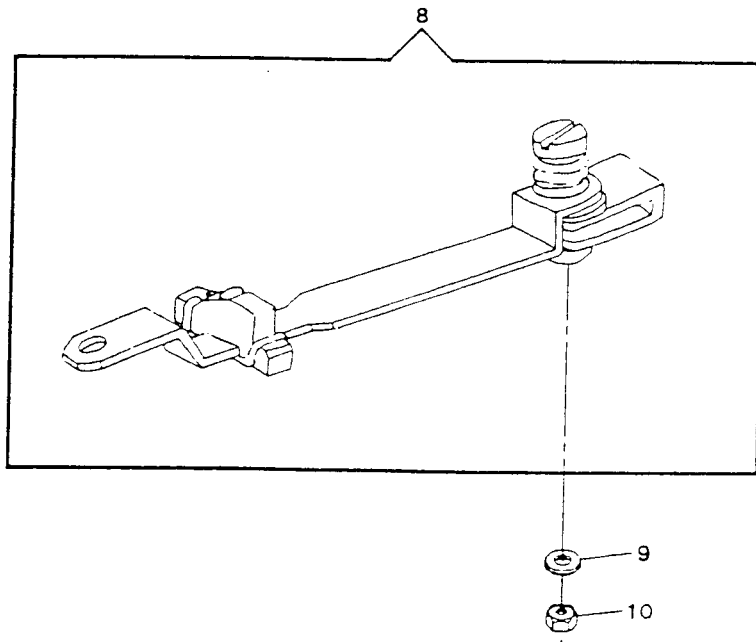
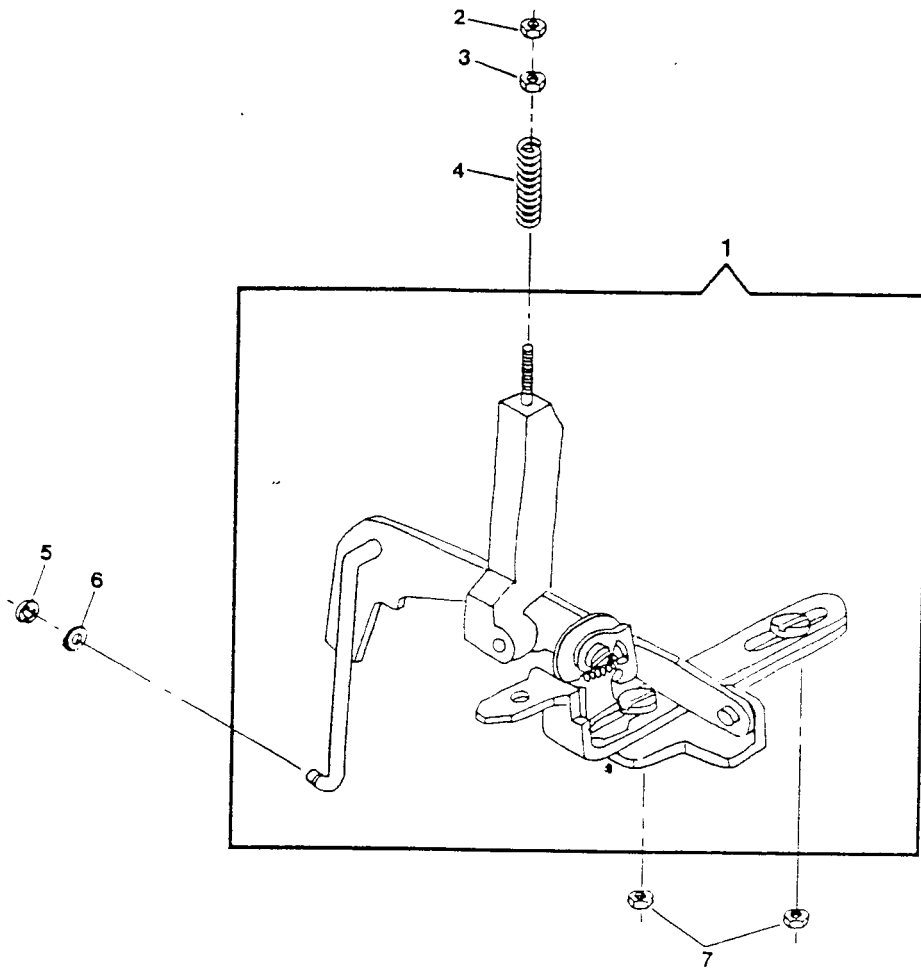
PATTERN, STITCH LENGTH CONTROL & CAM CONTROLLED FEED
 MODEL: 4572N503

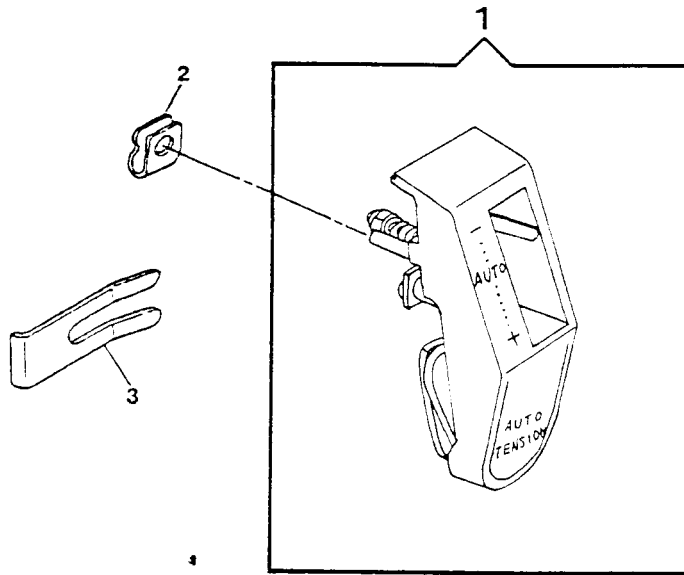
REF. NO.	PART NO.	DESCRIPTION
1	314732-003	PATTERN SELECTOR MODULE
2	113455-001	DISCSELECTOR MECHANISM MOUNTING PLATE SCREW (LEFT AND RIGHT)
3	314013-451	DISC SELECTOR MECHANISM MOUNTING PLATE SCREW (LEFT AND RIGHT)
4	314607	BIGHT AMPLITUDE CONTROL LEVER ASSEMBLY
5	113455-014	BIGHT AMPLITUDE CONTROL LEVER STOP ADJUSTMENT SCREW
6	314683	BIGHT AMPLITUDE CONTROL LEVER RETAINER
7	353457	BIGHT AMPLITUDE CONTROL LEVER FRICTION WASHER
8	314611	BIGHT AMPLITUDE CONTROL LEVER SHOULDER WASHER
9	314497	NEEDLE BAR DRIVING ARM SLIDE POSITIONING SPRING
10	113407	ARM SHAFT BELT SLIP PREVENTION GUARD
11	113455-002	SCREW, ARM SHAFT BELT SLIP PREVENTION GUARD
12	314606	BIGHT AMPLITUDE CONTROL ROD RETAINING ROD
12	313022	BUTTONHOLE FOLLOWER HUB RELEASE
13	313023	BUTTONHOLE ACTUATOR HUB RELEASE PIN
14	313025	BUTTONHOLE ACTUATOR CAM
15	313799-001	BUTTONHOLE ACTUATOR ADJUSTING ROD SPRING
16	313005	BUTTONHOLE DISC CONTROL CATCH RELEASE LINK
17	314763-451	BUTTONHOLE TRIPPING ROD ADJUSTING AND LOCKING NUT
18	312982	BUTTONHOLE TRIPPING LEVER ROD
19	312994-002	BUTTONHOLE KICI-OUT TRIPPING ROD LEVER ASSEMBLY
20	354877-451	BUTTONHOLE PIVOT LEVER SCREW
21	313392	BUTTONHOLE LEVER PIVOT
22	312685	BUTTONHOLE KICK-OUT SHAFT TRIPPING LEVER RETAINING RING
23	113407	ARM SHAFT BELT SLIP PREVENTION GUARD
24	113455-002	SCREW, ARM SHAFT BELT SLIP PREVENTION GUARD
25	314606	BIGHT AMPLITUDE CONTROL ROD RETAINING RING

PATTERN, STITCH LENGTH CONTROL & CAM CONTROLLED FEED (CONT.)
MODEL: 4572N503

REF. PART NO.	PART NO.	DESCRIPTION
1	314300-001	FEED REVERSE MECHANISM
2	514674-451	CAM CONTROLLED FEED CONNECTING ROD LOCKING NUT
3	312645-451	CAM CONTROLLED FEED DISC FOLLOWER ACTUATOR CONNECTING ROD ADJUSTING NUT
4	313143	CAM CONTROLLED FEED DISC FOLLOWER ACTUATOR CONNECTING ROD SPRING
5	312702	FEED LEVER CONNECTING LINK RETAINING RING
6	313891	CAM CONTROLLED FEED CONNECTING ROD STABILIZING WASHER
7	514674-451	REVERSE FEED CONTROL LEVER GUIDE SCREW NUT
8	313569-001	STITCH LENGTH CONTROL LEVER ASSEMBLY
9	314712-451	STITCH LENGTH CONTROL LEVER PIVOT LOCK WASHER
10	313177-451	STITCH LENGTH CONTROL LEVER NUT

PATTERN STITCH LENGTH CONTROL AND CAM CONTROLLED FEED (CONT.)



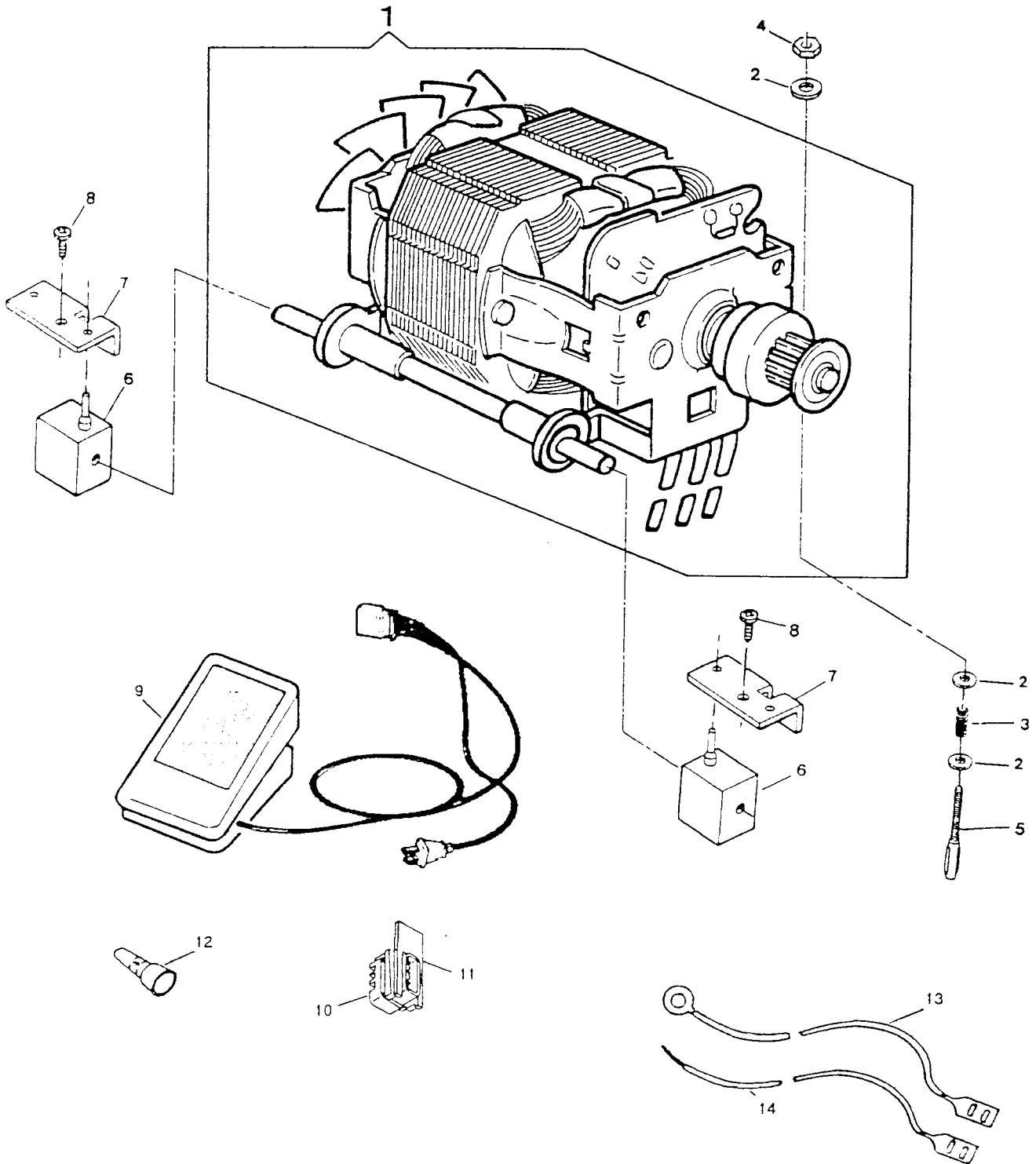


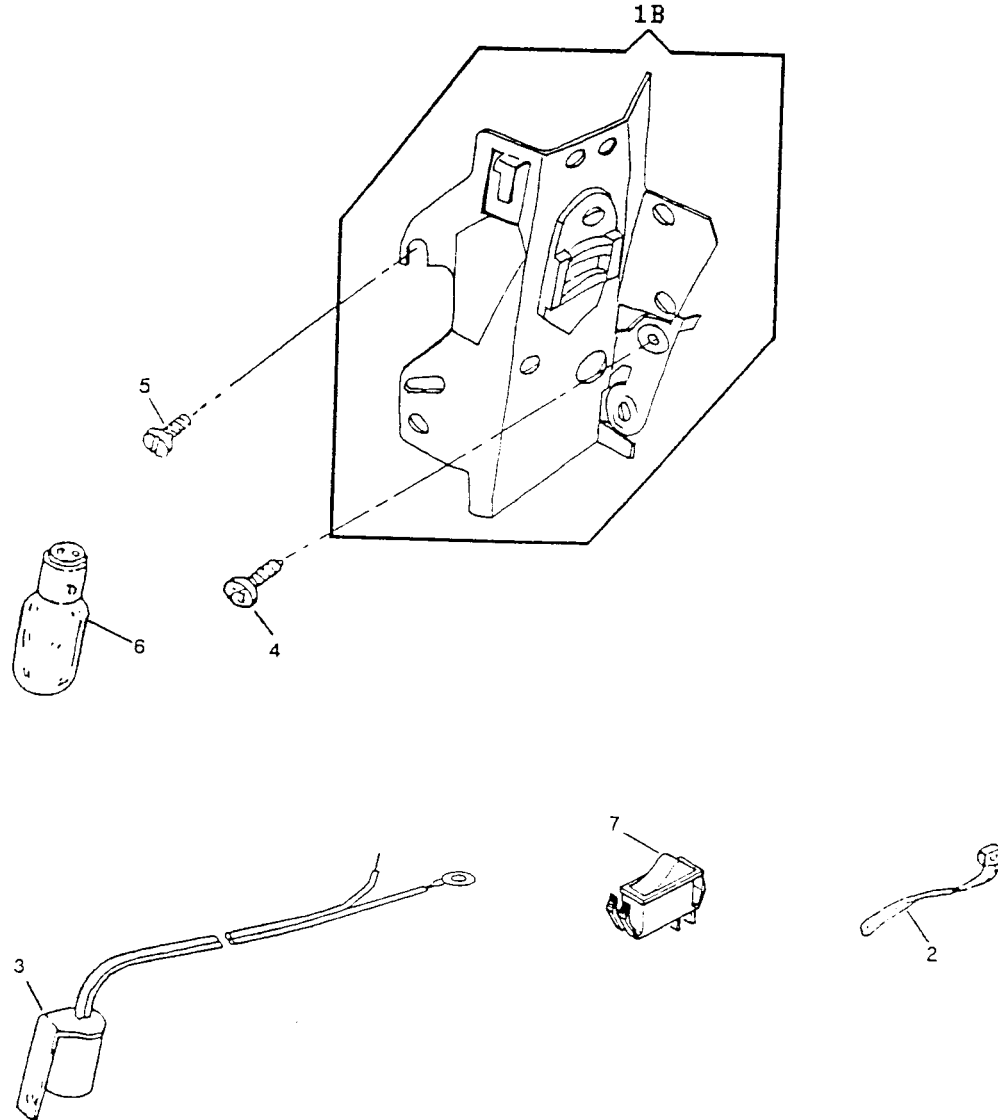
DEMAND RESPONSIVE NEEDLE TENSION SYSTEM
MODEL: 4572N503

REF. NO.	PART NO.	DESCRIPTION
1	137884-030	THREAD TENSION MODULE
2	313199	TENSION COVER MOUNTING RETAINER
3	313047-451	TENSION COVER RETAINING CLIP

ELECTRICAL EQUIPMENT
MODEL: 4572N503

REF. PART NO.	PART NO.	DESCRIPTION
1	317352-002	MOTOR COMPLETE (120V CARBON PILE)
2	37969	MOTOR ADJUSTING STUD NUT WASHER
3	314058-001	MOTOR BELT TENSION SPRING
4	53646	MOTOR ADJUSTING STUD NUT
5	988653-003	MOTOR ADJUSTING STUD
6	979329-001	RESILIENT MOUNT
7	988651-001	CLIP
8	113470-004	MOTOR MOUNTING SCREW
9C	319003-003	TRIAC FOOT CONTROLLER ASSEMBLY
10	317421	RECEPTACLE
12	317355	WIRE CONNECTOR
13	317356-004	LEAD W/TERMINAL ASSEMBLY
14	317356-009	LEAD W/TERMINAL ASSEMBLY





ELECTRICAL EQUIPMENT (CONT.)
MODEL: 4572N503

REF. PART NO.	PART NO.	DESCRIPTION
1B	314823-003	LINT AND HEAD SHIELD ASSEMBLY (120V)
2	540899	TY-WRAP SELF-LOCKING
3	317397-902	LAMP SOCKET ASSEMBLY (120V)
4	113470-003	THREAD TAKE-UP COVER AND LINT/HEAT SHIELD SCREW
5	137813-002	SCREW, LINT AND HEAT SHIELD MOUNTING
6	194120-019	LIGHT BULB (120V) (ALT:542656-005) (DUAL VOLTAGE FOR U.S.A/KOREA/GERMANY & H.K.)
7	979585-207	ROCKER SWITCH (#3913)