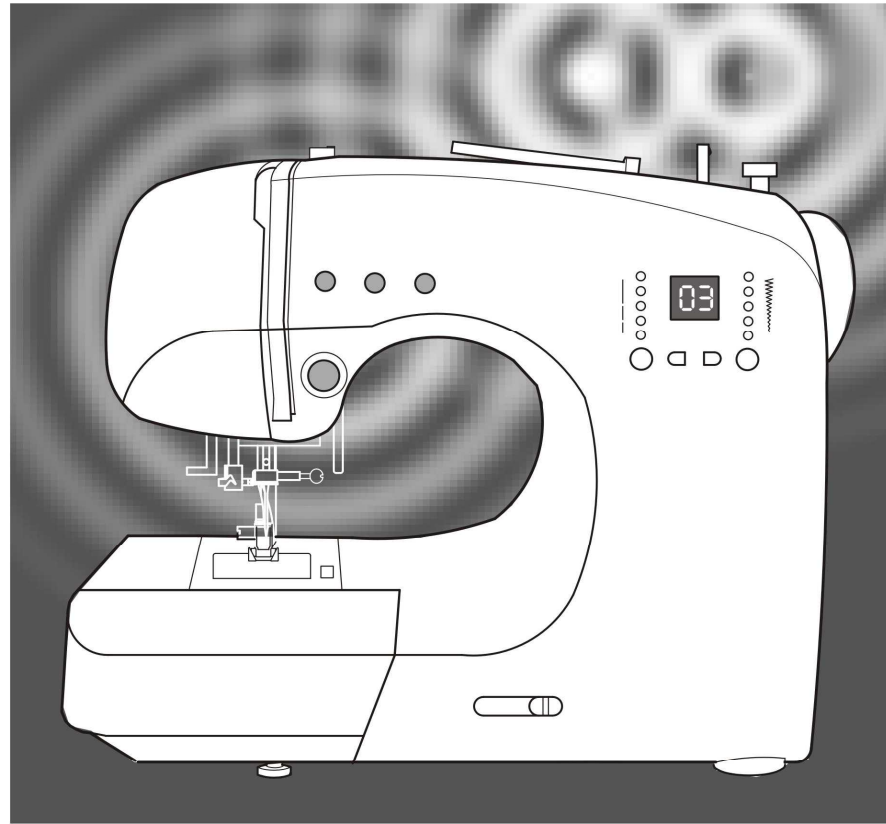


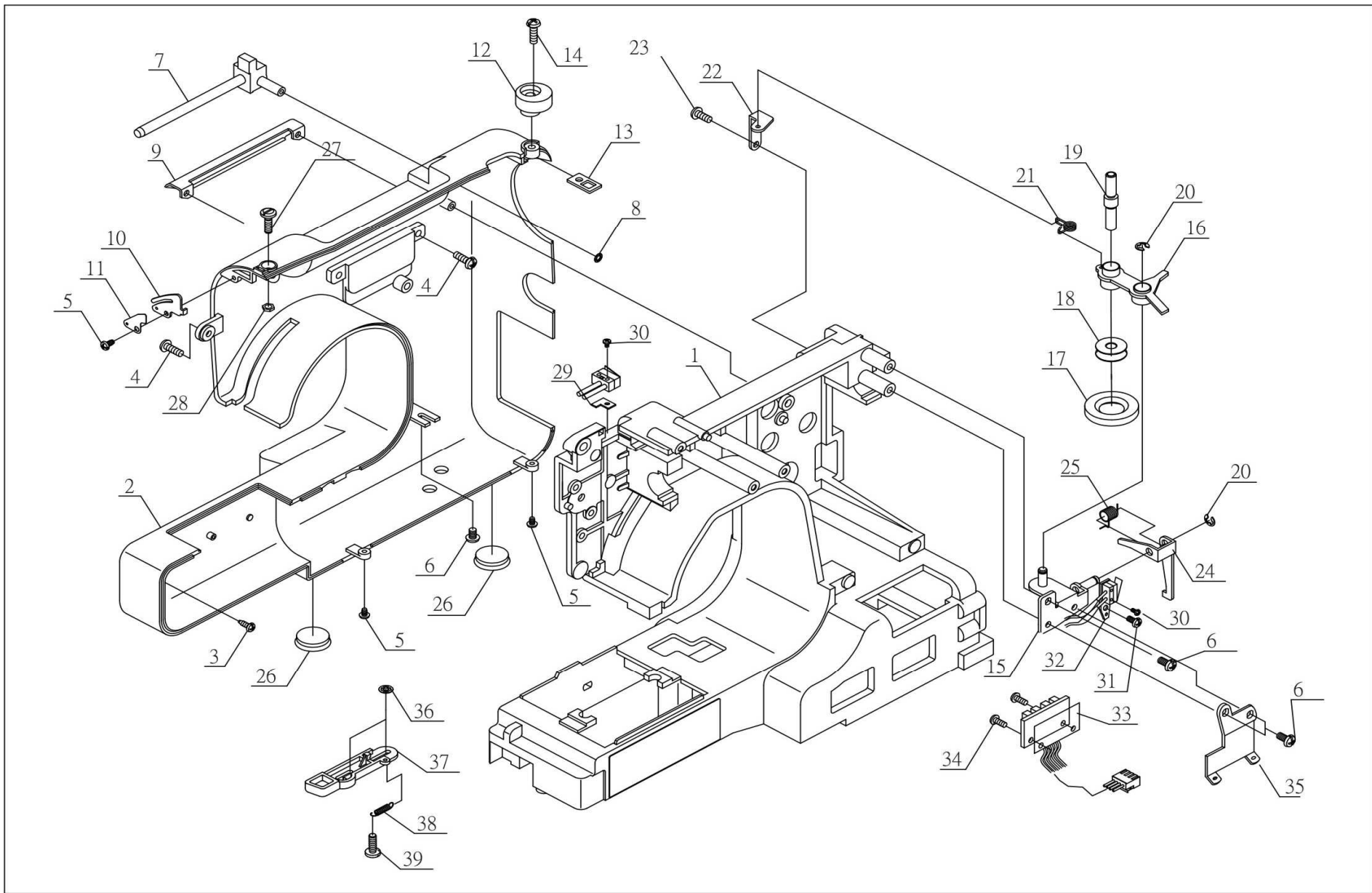


**SINGER®**



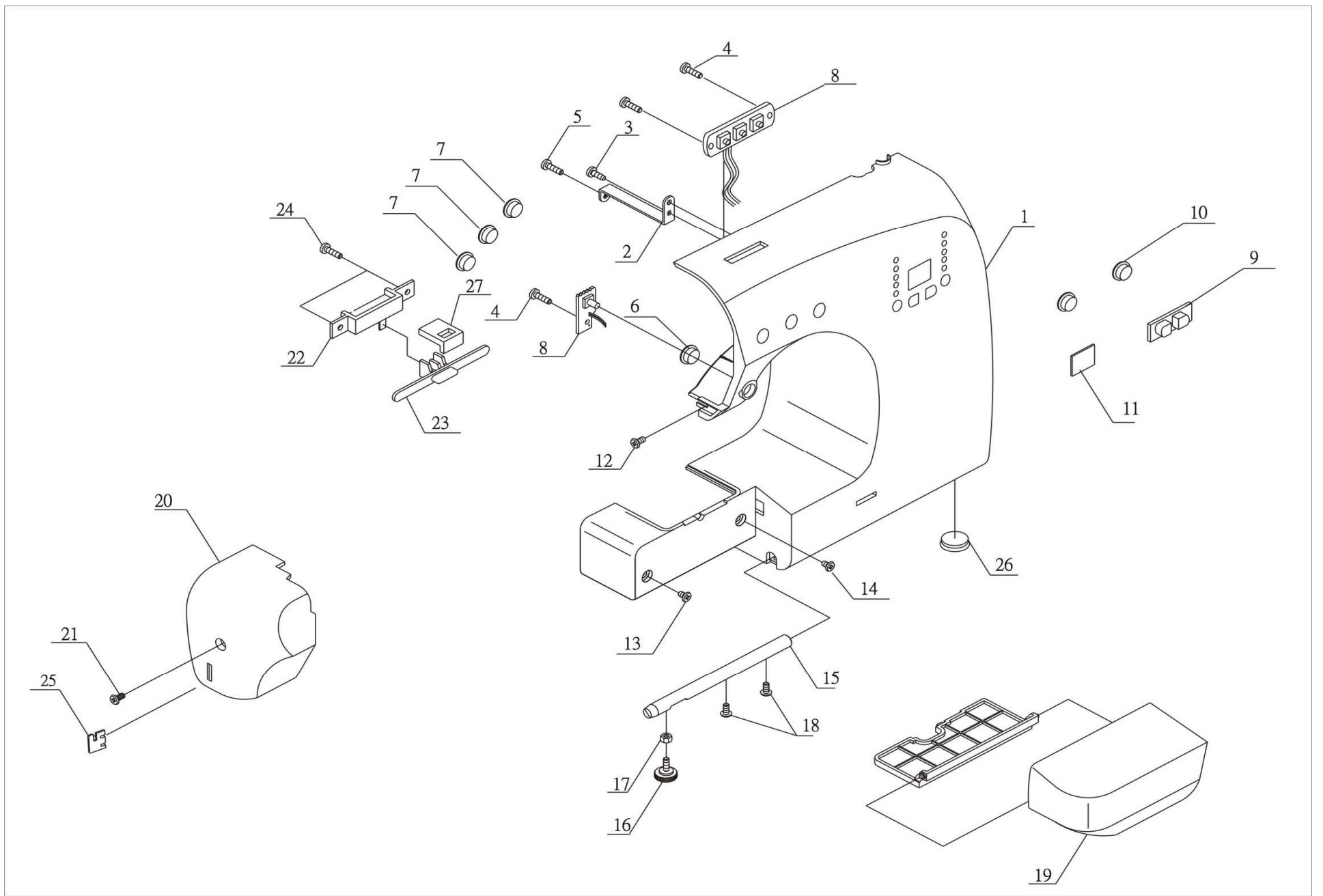
***SINGER 4166 PARTS LIST***

SINGER (U.S.A)

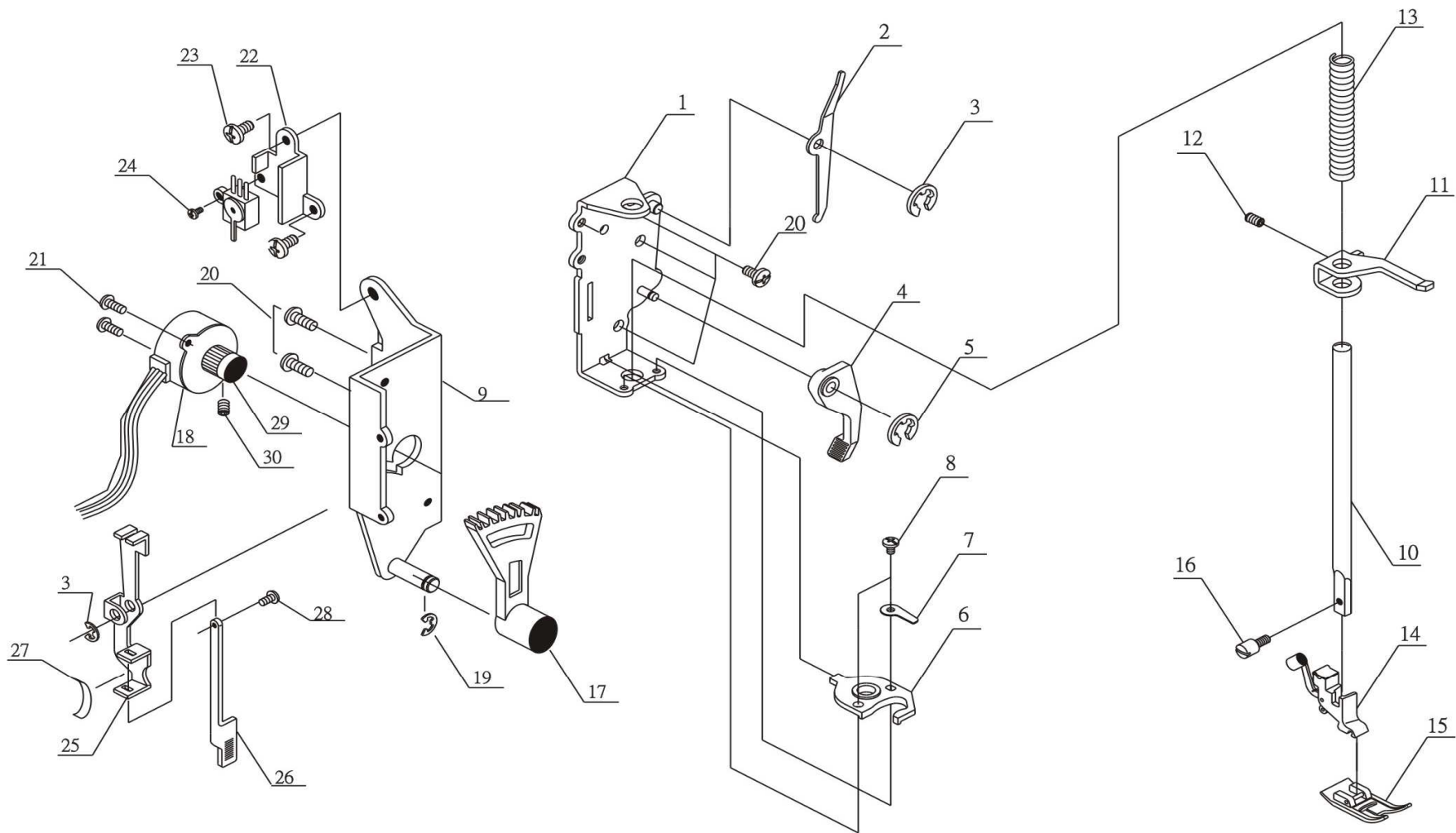


<u>Ket</u>	<u>Parts No</u>	<u>Name of parts</u>	<u>List</u>	<u>Svs Avg</u>	<u>Cost</u>
1	270 168001	arm			
2	270 168217	back cover			
3	270 000087300	pan head T screw 3*12			
4	270 000081603	binding head screw 4*12			
5	270 000087908	T screw 3*8			
6	270 000081407	binding head screw 4*8			
7	270 168070	spool pin			
8	270 000002208	snap ring CS-6			
9	270 218014	handle			
10	270 168211	threading guide (A)			
11	270 168212	threading guide shrapnel			
12	270 321143000	bobbin winder stopper			
13	270 168068	front cover bracket			
14	270 000081706	binding head screw 4*14			
15	270 168053	bobbin winder crank base			
16	270 C168-007	bobbin winder crank			
17	270 266033008	bobbin winder fell			
18	270 266032007	bobbin winder shaft ring			
19	270 730028	bobbin winder shaft			
20	270 000001207	snap ring E-4			
21	270 360046003	bobbin winder crank spring			
22	270 168075	bobbin winder spring holder			
23	270 000081500	binding head screw 4*10			
24	270 168055	clutch rod			
25	270 168056	clutch rod spring			
26	270 266020006	rubber cushion			
27	270 168502	bobbin winder regulate lead shaft			
28	270 000010003	rapid nut M4*0.7			
29	270 296122	switch plate			
30	270 000080206	pan head T screw 2*8			
31	270 000082305	binding head T screw 3*5			
32	270 128022	switch plate			
33	270 128126	sensor control plate base			
34	270 000082408	binding head screw 3*6			
35	270 C168-012	sensor control plate base			
36	270 000002501	snap ring CS-3			
37	270 730114	feed crank			

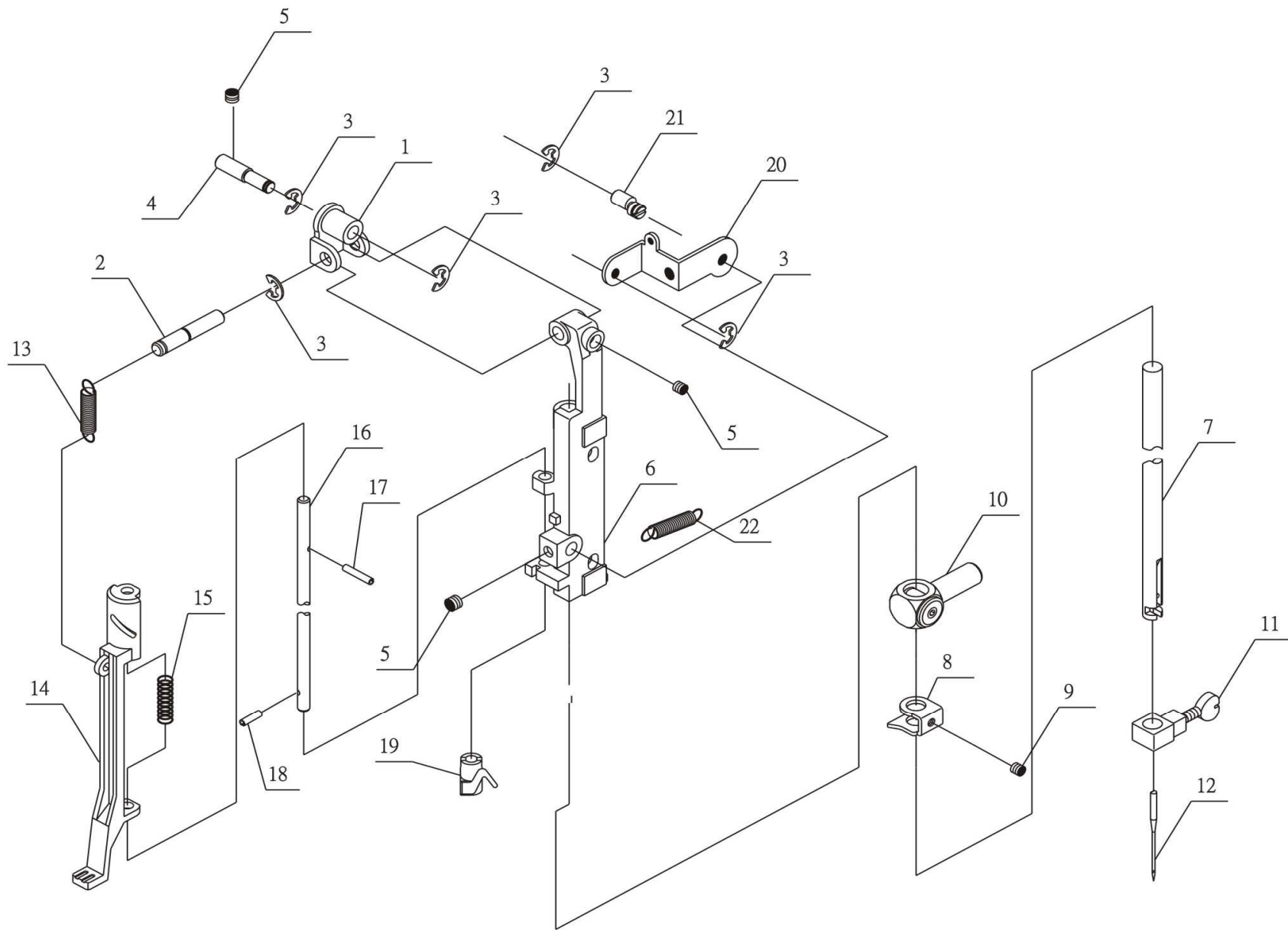
<u>Ket</u>	<u>Parts No</u>	<u>Name of parts</u>	<u>List</u>	<u>Svs Avg</u>	<u>Cost</u>
38	270 868033	clutch rod spring			
39	270 000081201	binding head screw 4*5			



<u>Ket</u>	<u>Parts No</u>	<u>Name of parts</u>	<u>List</u>	<u>Sys Avg</u>	<u>Cost</u>
1	270 168216002	front cover			
2	270 296115	front cover bracket			
3	270 000087300	pan head T screw 3*12			
4	270 000087909	T screw 3*6			
5	270 000081706	pinding head screw 4*14			
6	270 262012060	start/stop button			
7	270 Y-168038030	button			
8	270 YSD5K02W10	sensor			
9	270 790031005	pattern selector dial			
10	270 Y-168038030	button			
11	270 296018	pattern show window			
12	270 000084709	pinding head screw 3*6			
13	270 000081418	pinding head screw 4*8			
14	270 000080201	flat head set screw 4*8			
15	270 168071	detachable foot			
16	270 843024	regulate screw			
17	270 000010003	rapid nut M4*0.7			
18	270 000081407	pinding head screw 4*8			
19	270 298010	detachable plate cover			
20	270 168222001	face plate			
21	270 000081706	pinding head screw 4*14			
22	270 269007006	speed controller box			
23	270 269006006	speed controller			
24	270 000087012	T screw 3*8			
25	270 790055	cutter			
26	270 266020006	rubber cushion			
27	270 C168-031-003	speed controller cover			

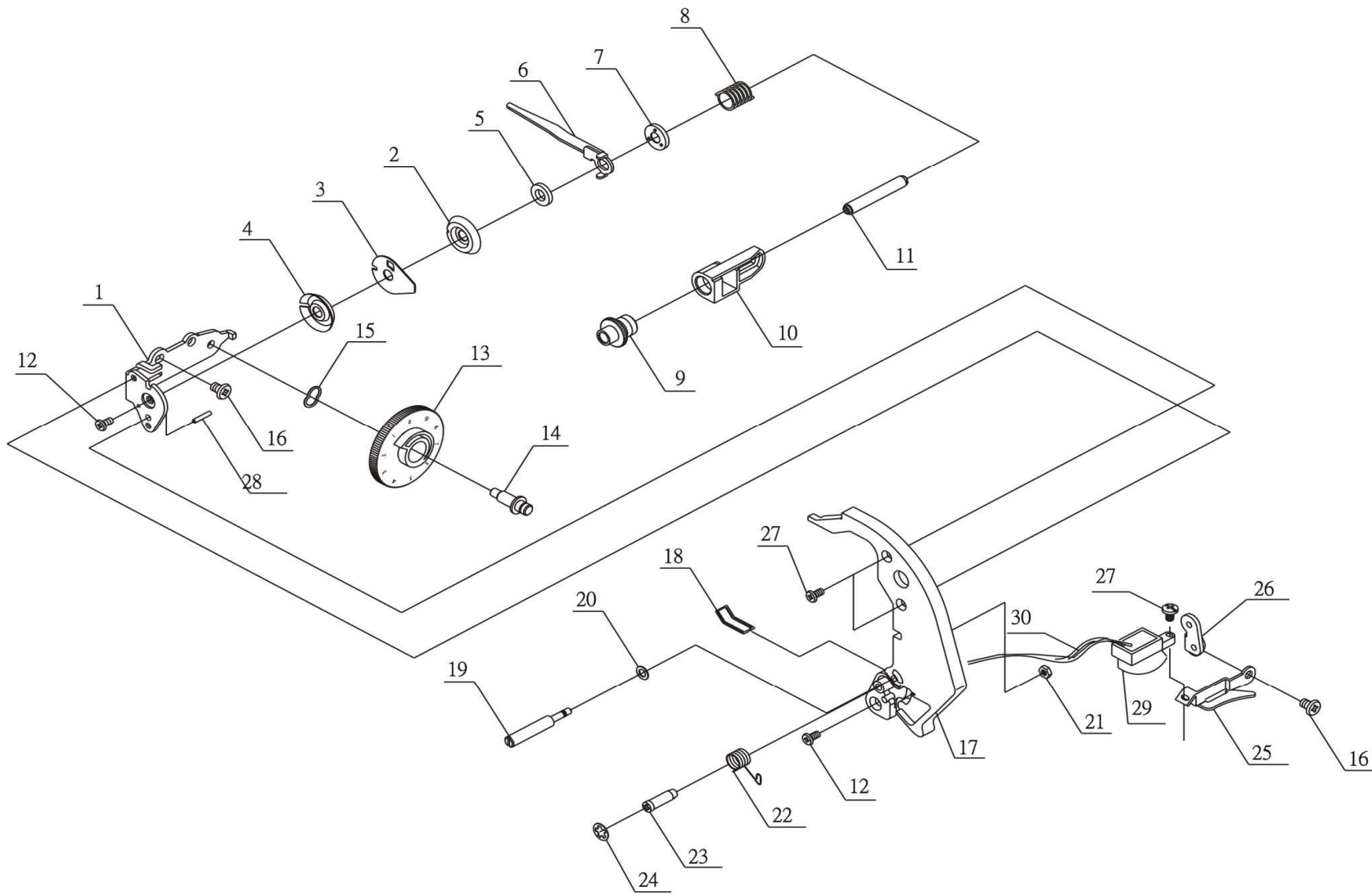


<b>Ket</b>	<b>Parts No</b>	<b>Name of parts</b>	<b>List</b>	<b>Sys Avg</b>	<b>Cost</b>
1	270 168219	supporter base			
2	270 730109	release lever			
3	270 000001207	snap ring E-4			
4	270 730119	presser bar lifter			
5	270 000001207	snap ring E-4			
6	270 730092	needle bar crank lead plate			
7	270 730099	needle bar crank stop plate			
8	270 000082408	binding head screw 3*6			
9	270 C168-001-1	zipzag motor plate			
10	270 730194	presser bar			
11	270 868078	presser bar guide bracket			
12	270 000079402	Hexagon socket screw 4*8			
13	270 Y-168031	presser bar spring			
14	270 168505	presser foot hold			
15					
16	270 270024003	presser foot screw			
17	270 C168-002	zigzag gear			
18	270 128131	presser bar spring			
19	270 000001104	snap ring E-3			
20	270 000081407	binding head screw 4*8			
21	270 000082305	binding head screw 3*5			
22	270 128024	BH switch case			
23	270 000082305	pan head screw 3*5			
24	270 000087909	T screw 3*6			
25	270 C168-004	BH connecting crank			
26	270 296020	BH connecting rod			
27	270 868047	BH reguate shrapnel			
28	270 000082605	pan head screw 2*3			
29	270 128081	motor bear (zigzag)			
30	270 000079000	hexagon socket screw 3*4			

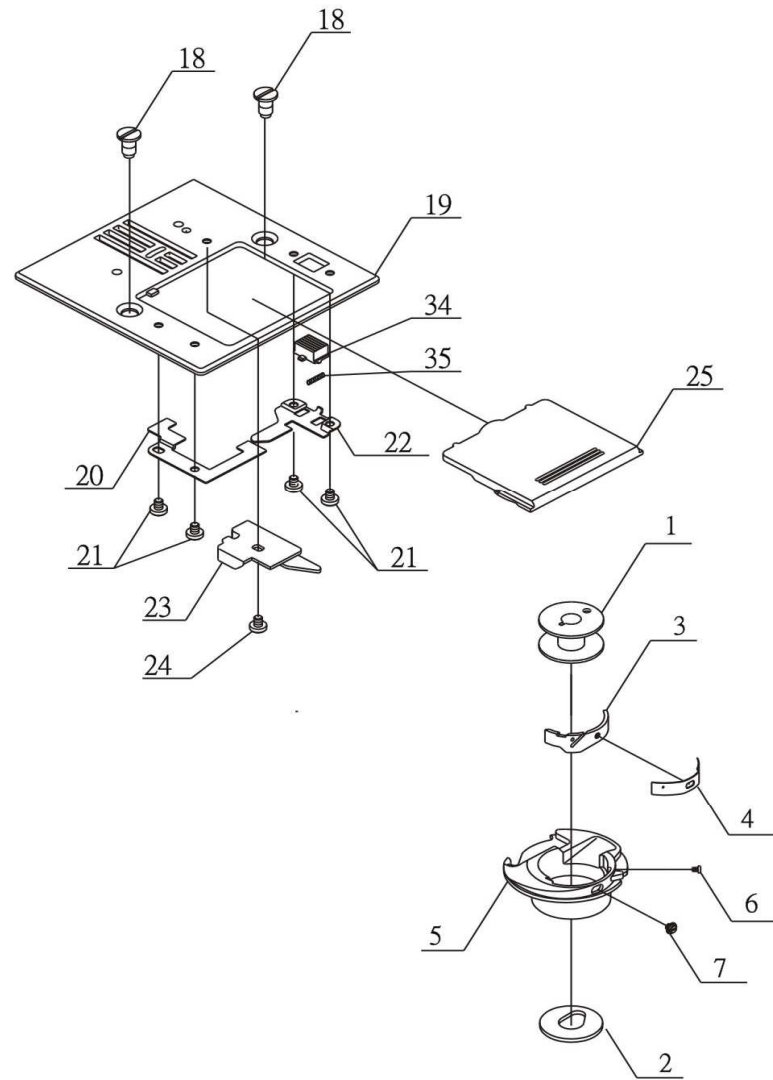
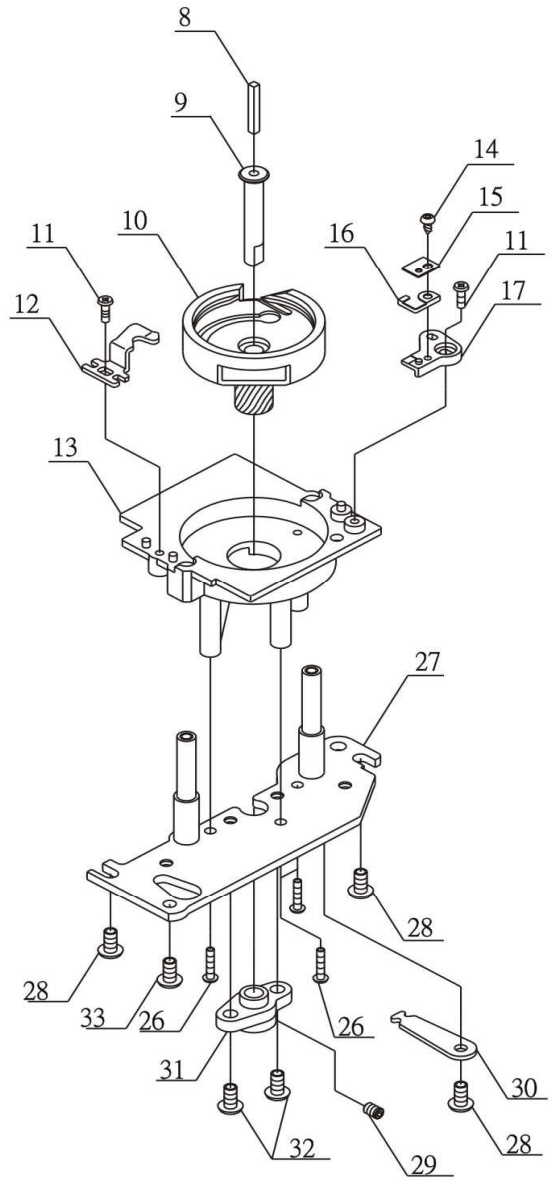




<b>Ket</b>	<b>Parts No</b>	<b>Name of parts</b>	<b>List</b>	<b>Svs Avg</b>	<b>Cost</b>
1	270 730095	needle bar crank supporter			
2	270 730096	needle bar crank pin			
3	270 000001207	snap ring E-4			
4	270 281086007	needle bar crank supporter shaft			
5	270 000079103	hexagon socket screw 4*4			
6	270 730093	needle bar crank			
7	270 730091	needle bar			
8	270 270017003	through thread location plate			
9	270 000079000	hexagon socket screw 3*4			
10	270 281504006	needle bar connecting rod			
11	270 730502	needle clamp			
12	270 000201324	needle			
13	270 730102	through thread body spring			
14	270 730100	through thread body			
15	270 730103	through thread body spring			
16	270 730195	through thread bar			
17	270 000006914	spring 2*12			
18	270 000006811	spring 2*8			
19	270 270030002	lead thread body			
20	270 C986-002	zigzag lever			
21	270 730078	zigzag lever eccentric pin			
22	270 730102	needle bar crank spring			

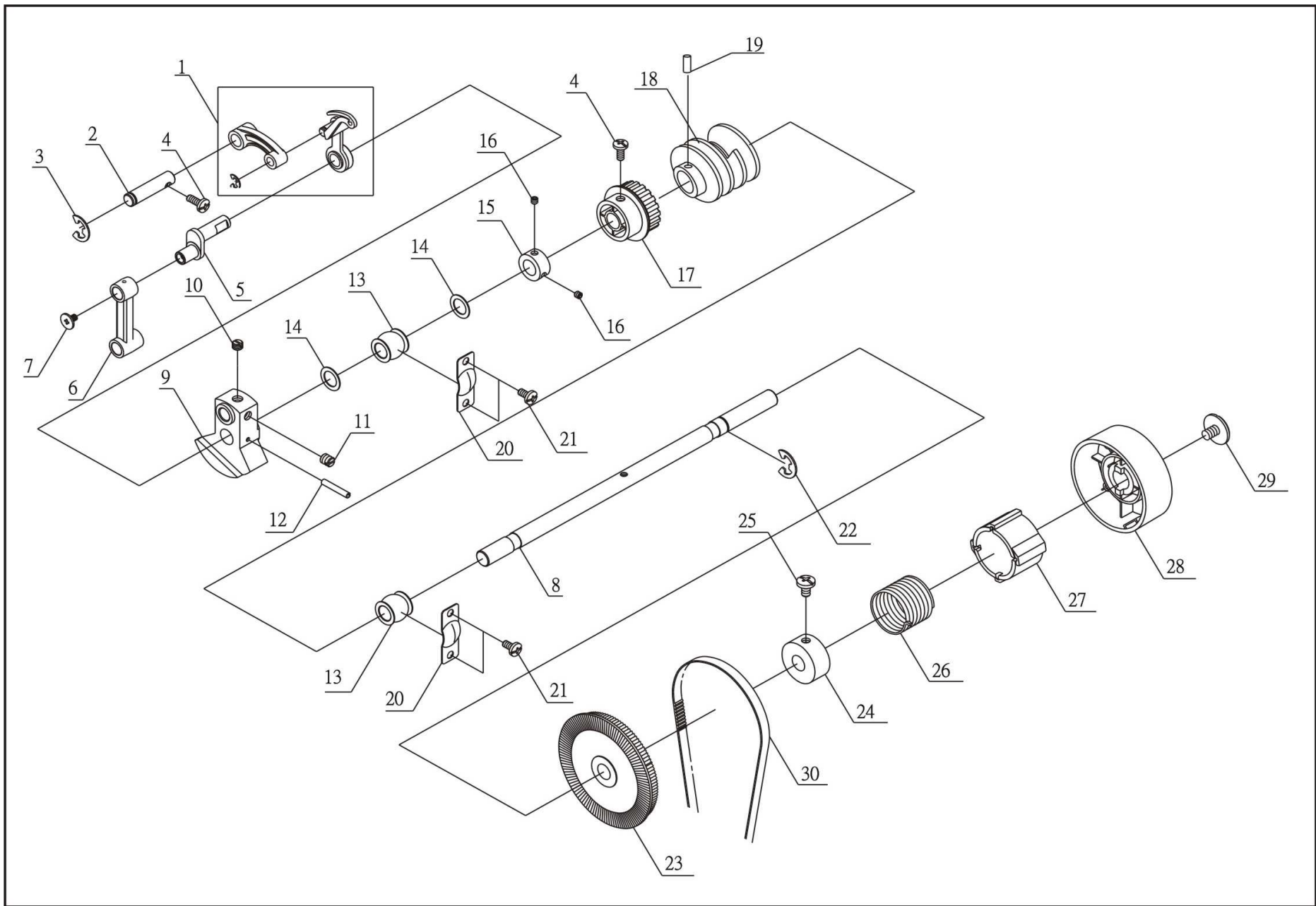


<b>Ket</b>	<b>Parts No</b>	<b>Name of parts</b>	<b>List</b>	<b>Sys Avg</b>	<b>Cost</b>
1	270 730022	thread tension regulate plate			
2	270 868060	thread tension regulate flat (right)			
3	270 868059	middle plate			
4	270 868060	thread tension regulate flat (left)			
5	270 868138	plain washer 5.6*15*1			
6	270 730110	thread tension connecting plate			
7	270 868113	spring set position plate			
8	270 868115	thread tension regulate spring			
9	270 868118	elastic regulator			
10	270 730023	thread tension regulate plate			
11	270 868116	thread tension regulator base shaft			
12	270 000082408	binding head screw 3*6			
13	270 868114060	thread tension regulate dial			
14	270 730197	thread tension regulate shaft			
15	270 868234	corrugated washer 9 m/m			
16	270 000081304	binding head screw 4*6			
	270 168603	threading guide (complete set)			
17	270 168204	threading guide			
18	270 168066	threading guide spring			
19	270 730019	threading guide shaft			
20	270 000012200	plain washer 4*7*0.4			
21	270 000071002	hexagon nut 3-3-5.5			
22	270 730105	thread take-up spring			
23	270 262026000	speing set shaft			
24	270 000002404	snap ring CS-4.5			
25	270 C168-015	threading guide shrapnel			
26	270 730009	front cover set plate			
27	270 000084709	pan head screw 3*6			
28	270 000007008	spring pin 1.6*10			
29	270 C168-027	lamp base			
30	270 YSD5K02W07	LED			



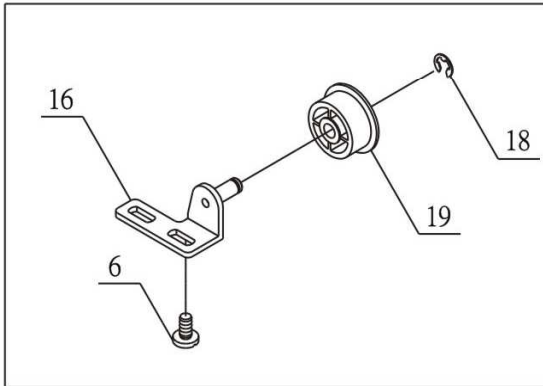
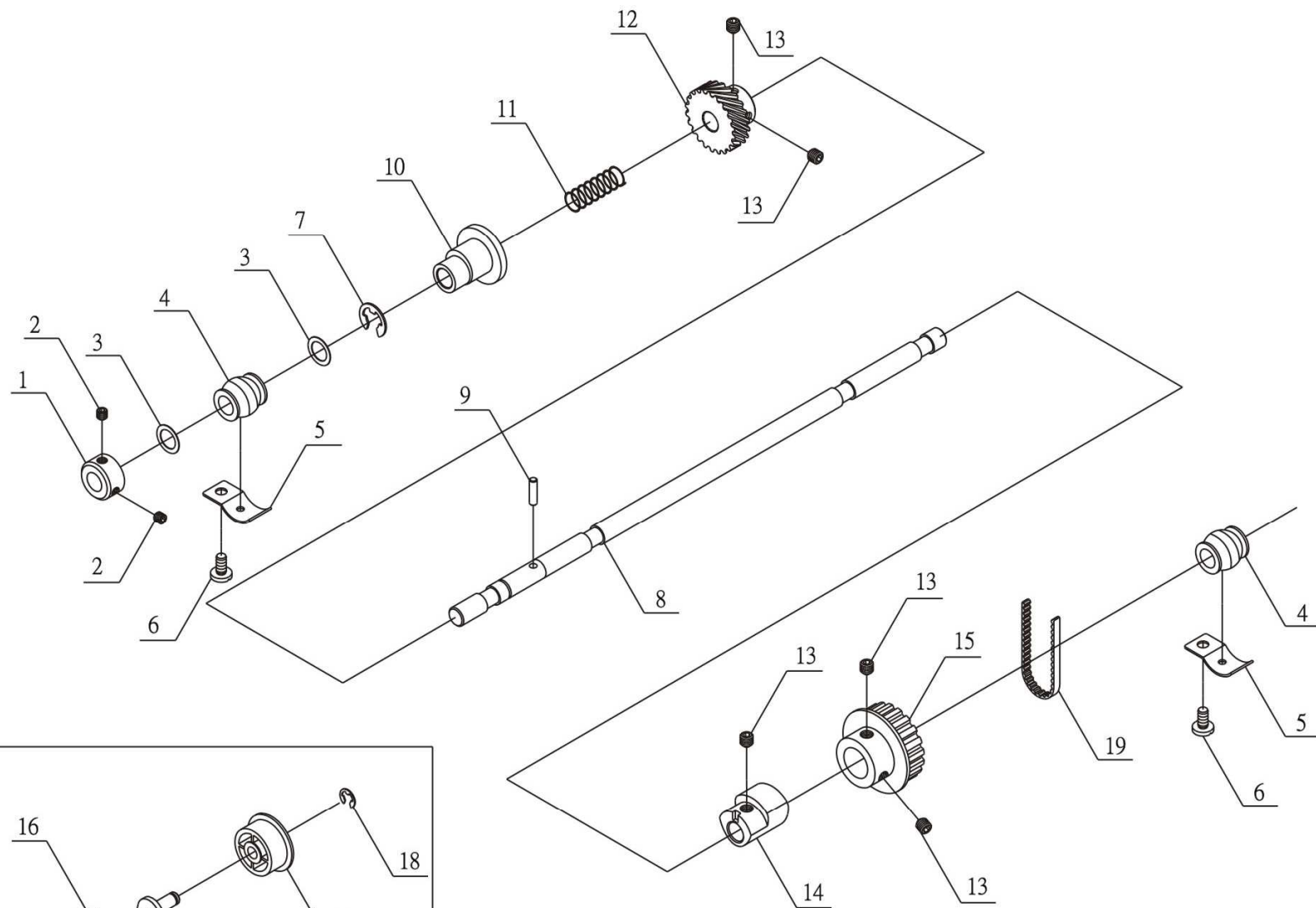
Ket	Parts No	Name of parts	List	Sys Avg	Cost
1	270 218023	bobbin			
2	270 128130	bobbin case (complete)			
3					
4					
5					
6					
7					
8	270 730168	dil core			
9	270 730143	hoak race shaft			
10	270 730144	hook race			
11	270 000087012	T screw 3*8			
12	270 730150	bobbin case set stop plate			
13	270 730142	hook race cover			
14	270 168621	stop shrapnel base (complete set)			
15					
16					
17					
18	270 266017000	flat head set screw			
	270 168618	needle plate (complete set)			
19	270 Y-168032	needle plate			
20	270 730147	slide plate shrapnel (left)			
21	270 730175	set screw (slide shrapnel)			
22	270 730217	slide plate shrapnel (right)			
23	270 730151	bobbin case stop plate			
24	270 730174	set screw (bobbin case stop plate)			
25	270 760003	slide plate			
26	270 000087300	pan head T screw 3*12			
27	270 180029	hook race base			
28	270 000081407	binding head screw 4*8			
29	270 000079206	hexagon socket screw 4*6			
30	270 730118	feed lifting spring bracket			
31	270 730141	hook race set body			
32	270 000084400	pan head screw 4*8			
33	270 000080808	flat head screw 4*14			
34	270 760005	slide plate spring			

35	270 760004	switch			
----	------------	--------	--	--	--

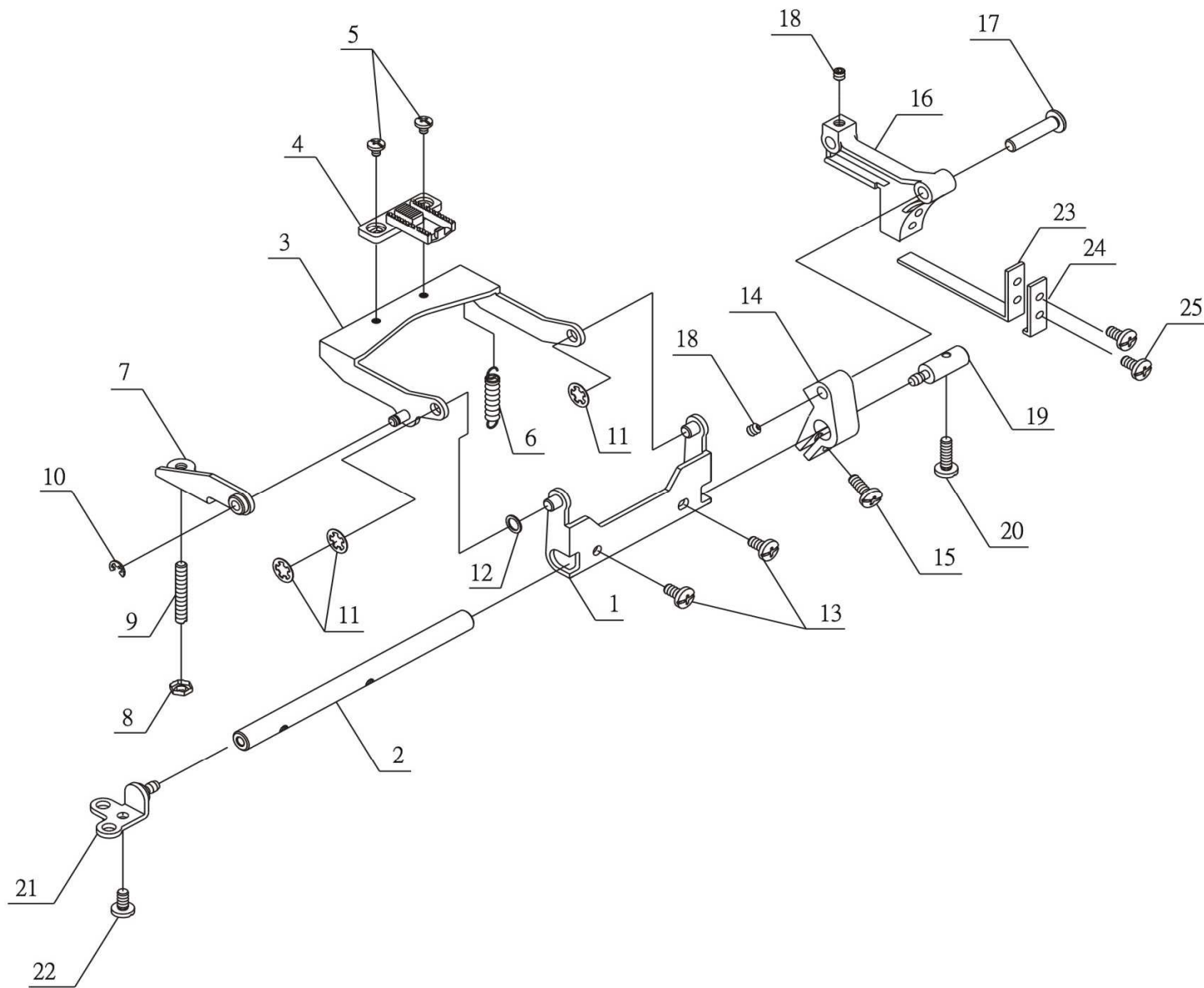


<u>Ket</u>	<u>Parts No</u>	<u>Name of parts</u>	<u>List</u>	<u>Sys Avg</u>	<u>Cost</u>
1	270 168510	thread take-up (complete)			
2					
3					
4					
5					
6					
7					
8	270 168215	upper shaft			
9	270 168009	thread take-up crank			
10	270 101040008	set screw sm 15/64-28*65			
11	270 574057006	set screw sm 15/64-28*4			
12	270 000006408	spring pin 3*20			
13	270 268007209	upper shaft bushing			
14	270 000013305	thrust washer 10.2*15*0.5			
15	270 620060008	upper shaft ring			
16	270 000079608	hexagon socket screw 11/64*4			
17	270 168010	timing gear A			
18	270 C168-016	sensor control plate			
19	270 000006914	spring 2*16			
20	270 268005220	bushing plate			
21	270 000081407	binding head screw 4*8			
22	270 000001609	span ring E-9			
23	270 168011	timing pulley			
24	270 168012	clutch bushing			
25	270 000079309	hexagon socket screw 5*5			
26	270 868031	clutch spring			
27	270 128144	clutch spring			
28	270 218005009	hand wheel			
29	270 868024	stop motion large screw			
30	270 000093011	motor belt (460-2GT)			

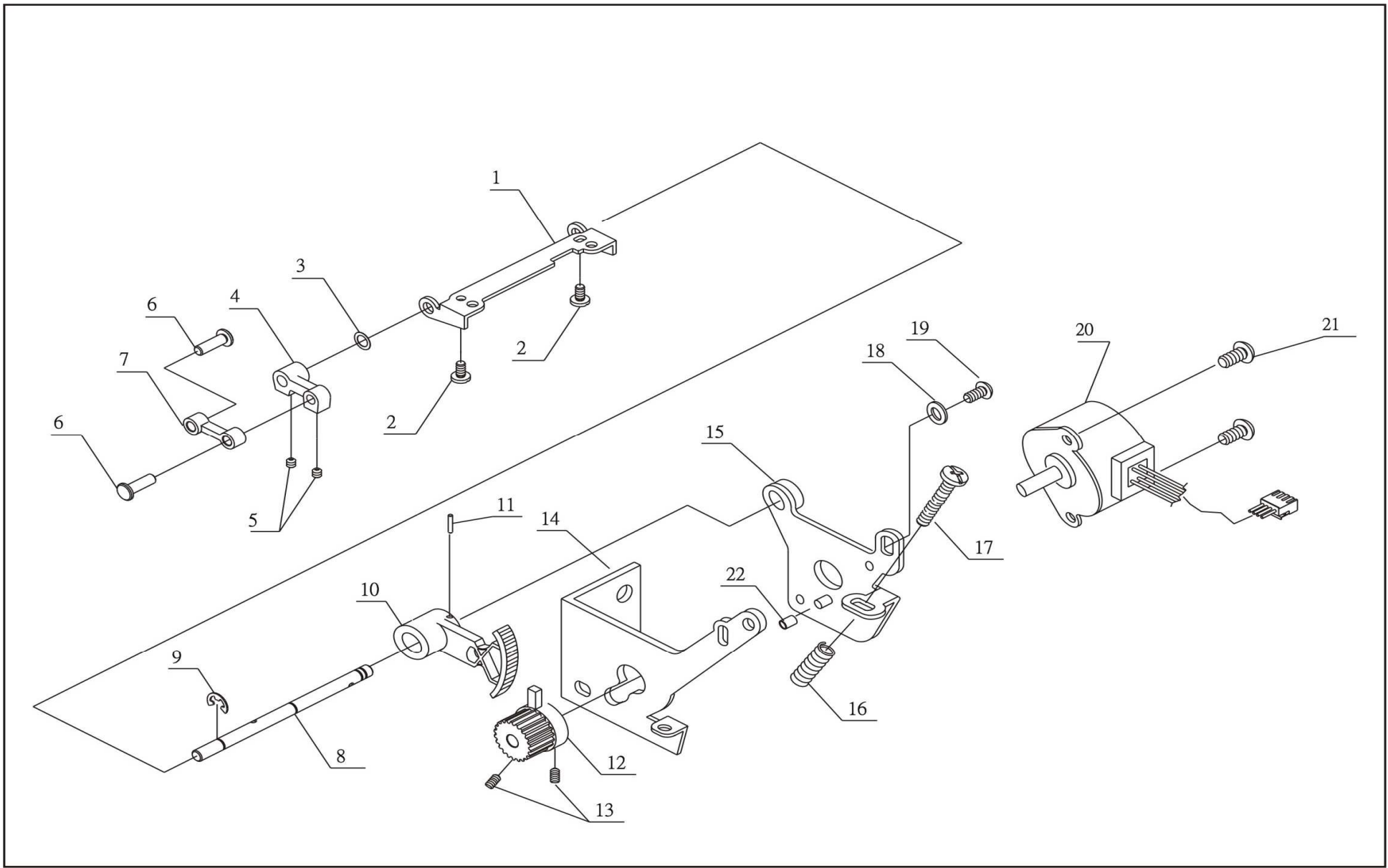




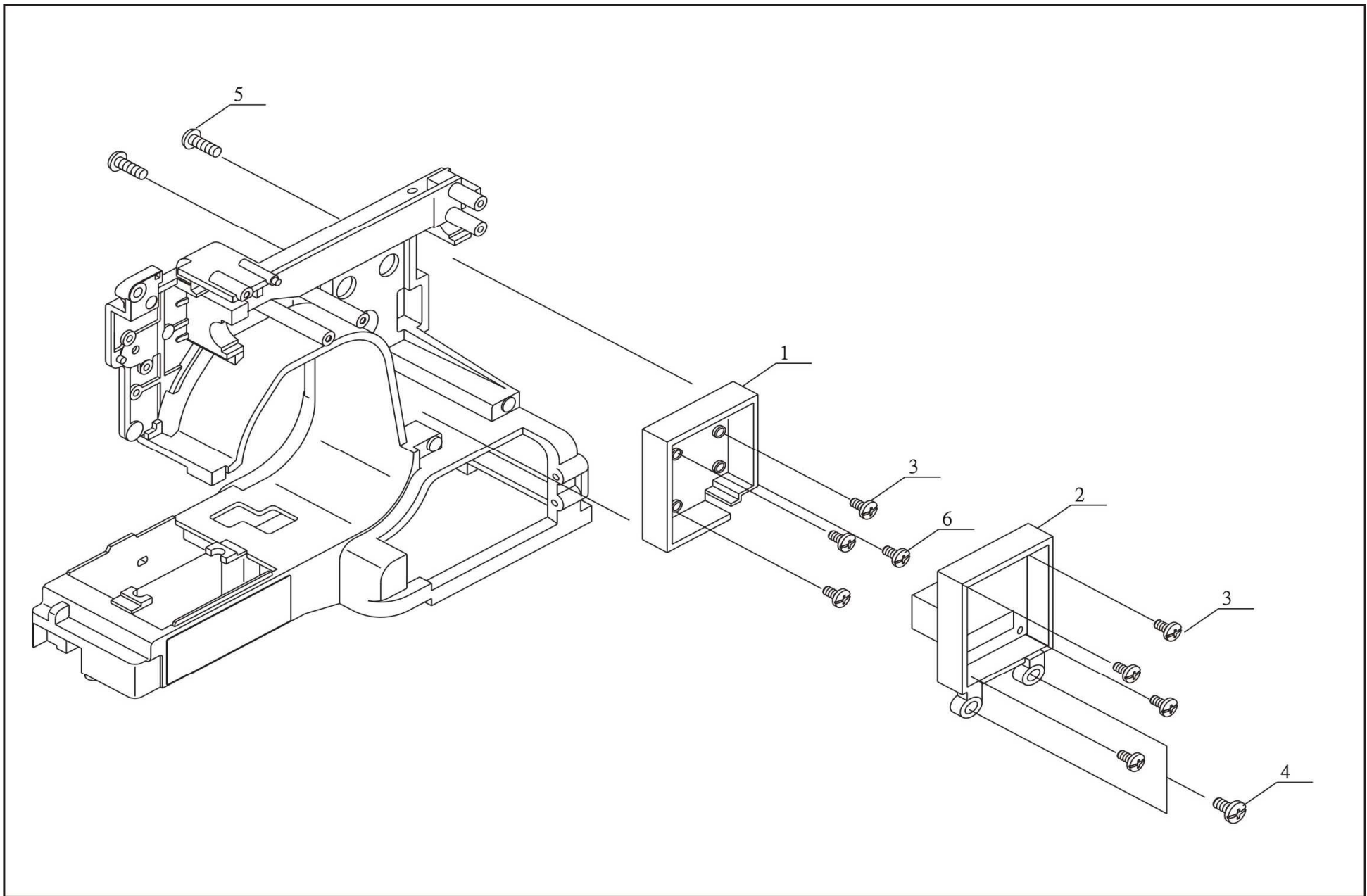
<u>Ket</u>	<u>Parts No</u>	<u>Name of parts</u>	<u>List</u>	<u>Sys Avg</u>	<u>Cost</u>
1	270 730122	lower shaft ring			
2	270 000079103	hexagon socket screw 4*4			
3	270 000013430	thrust washer 8.2*12*0.25			
4	270 730123	lower shaft bushing			
5	270 730124	lower shaft bushing plate			
6	270 000081407	binding head screw 4*8			
7	270 000001505	snap ring E-7			
8	270 168062001	lower shaft			
9	270 730116	feed lifting cam pin			
10	270 730113	feed lifting cam			
11	270 730115	feed lifting connecting spring			
12	270 730121	lower shaft gear			
13	270 000079309	hexagon socket screw 5*5			
14	270 730131	feed rock cam			
15	270 730080	timing gear B			
16	270 168063	belt regulate wheel plate			
17	270 730083	belt tension regulate wheel			
18	270 000001207	snap ring E-4			
19	270 000093022	timing belt 172*L			



<b>Ket</b>	<b>Parts No</b>	<b>Name of parts</b>	<b>List</b>	<b>Sys Avg</b>	<b>Cost</b>
1	270 730138	feed dog base crank			
2	270 730130	feed rock shaft			
3	270 168105	feed dog base			
4	270 168100	feed dog			
5	270 000082305	binding head screw 3*5			
6	270 730139	feed dog base spring			
7	270 730117	feed lifting crank			
8	270 000010003	rapid nut M4*0.7			
9	270 730171	screw			
10	270 000001104	snap ring E-3			
11	270 000002002	snap ring CS-5			
12	270 281040009	plain washer 5.6*15*1			
13	270 000081407	binding head screw 4*8			
14	270 730129	feed rock crank			
15	270 000079309	set screw 4*12			
16	270 730107-1	feed driving rod			
17	270 730108	feed driving rod shaft			
18	270 000079103	hexagon socket screw 4*4			
19	270 730133	feed rock shaft index pin			
20	270 000081706	binding head screw 4*14			
21	270 730132	feed lifting spring bracket			
22	270 000084400	flat head screw 4*8			
23	270 730317	race			
24	270 730316	plate			
25	270 000015109	binding head screw 3*8			

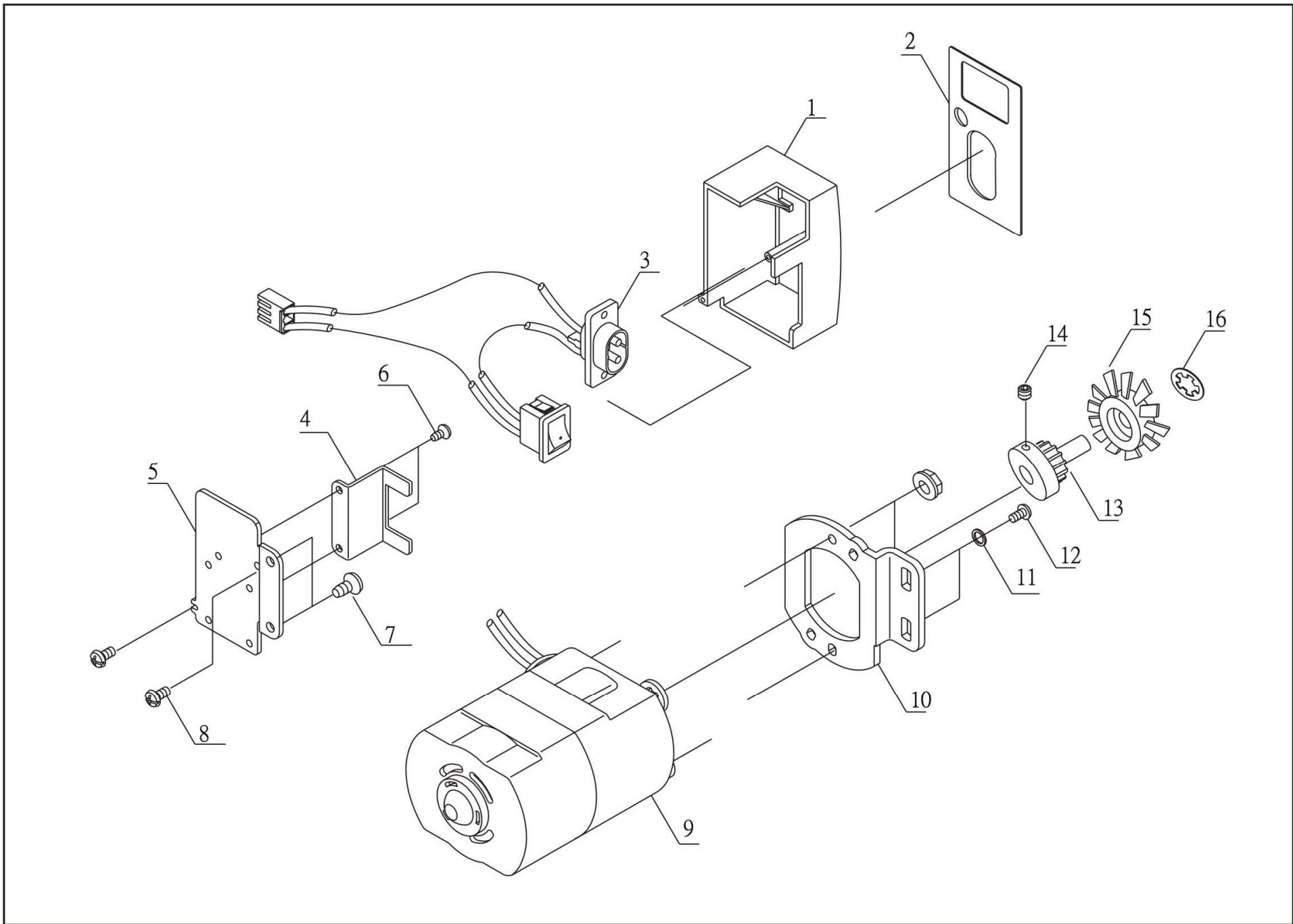


<u>Ket</u>	<u>Parts No</u>	<u>Name of parts</u>	<u>List</u>	<u>Sys Avg</u>	<u>Cost</u>
1	270 168057	feed regulate shaft base			
2	270 000081407	binding head screw 4*8			
3	270 000013017	plain washer 6.2*9.5*0.13			
4	270 730048	feed regulate crank			
5	270 000079103	hexagon socket screw 4*4			
6	270 730052	feed regulate set pin			
7	270 730049	feed regulate rod			
8	270 C168-033	feed rock shaft			
9	270 000001300	snap ring E-5			
10	270 128078	feed regulate gear			
11	270 000006914	spring pin 2*12			
12	270 C168-003	motor gear (regulate)			
13	270 000079000	hexagon socket screw 3*4			
14	270 C168-008	feed motor plate			
15	270 C168-009	feed motor plate base			
16	270 669077	0 point slight regutate screw			
17	270 000015008	slight regulate screw			
18	270 000012005	washer			
19	270 000074005	binding head screw 4*6			
20	270 128082	motor (Y)			
21	270 000082305	binding head screw 3*5			
22	270 C168-018	ring			



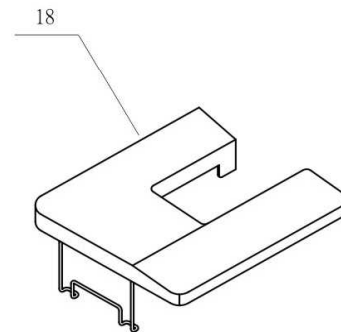
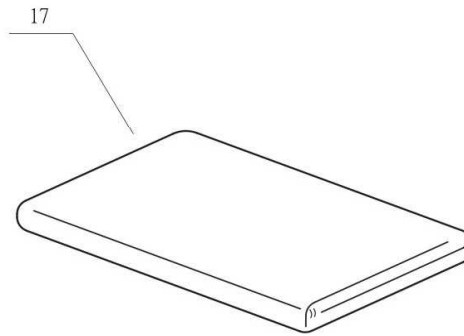
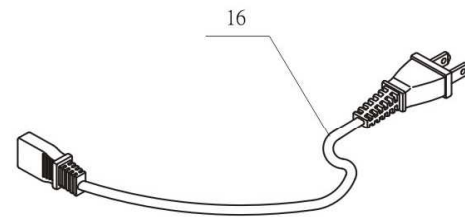
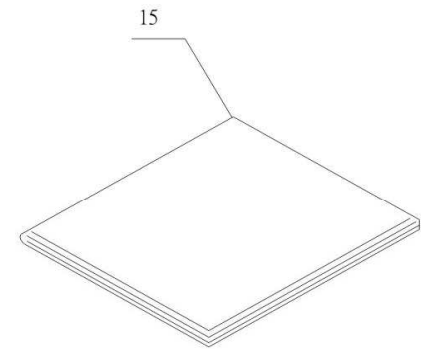
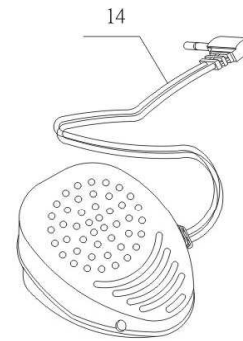
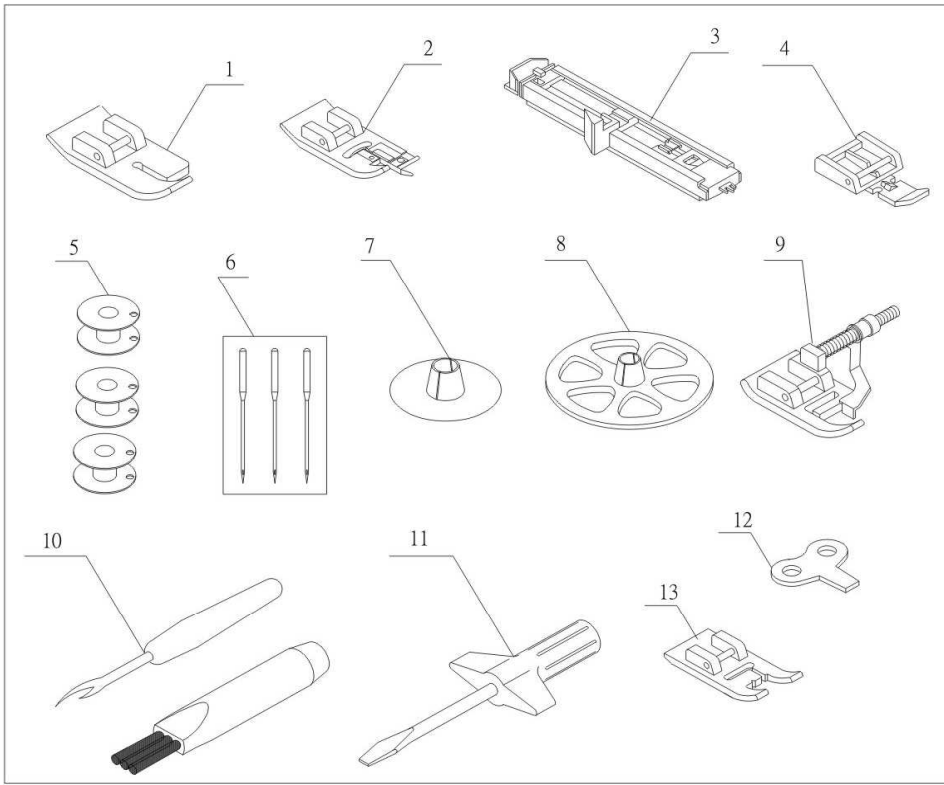
<u>Ket</u>	<u>Parts No</u>	<u>Name of parts</u>	<u>List</u>	<u>Sys Avg</u>	<u>Cost</u>
1	270 C168-010	circuit board case (A)			
2	270 C168-011	circuit board case (B)			
3	270 000087909	T screw 3*6			
4	270 000081603	pan head screw 4*12			
5	270 000087908	T screw 3*8			
6	270 000087807	T screw 3*28			





<u>Ket</u>	<u>Parts No</u>	<u>Name of parts</u>	<u>List</u>	<u>Sys Avg</u>	<u>Cost</u>
------------	-----------------	----------------------	-------------	----------------	-------------

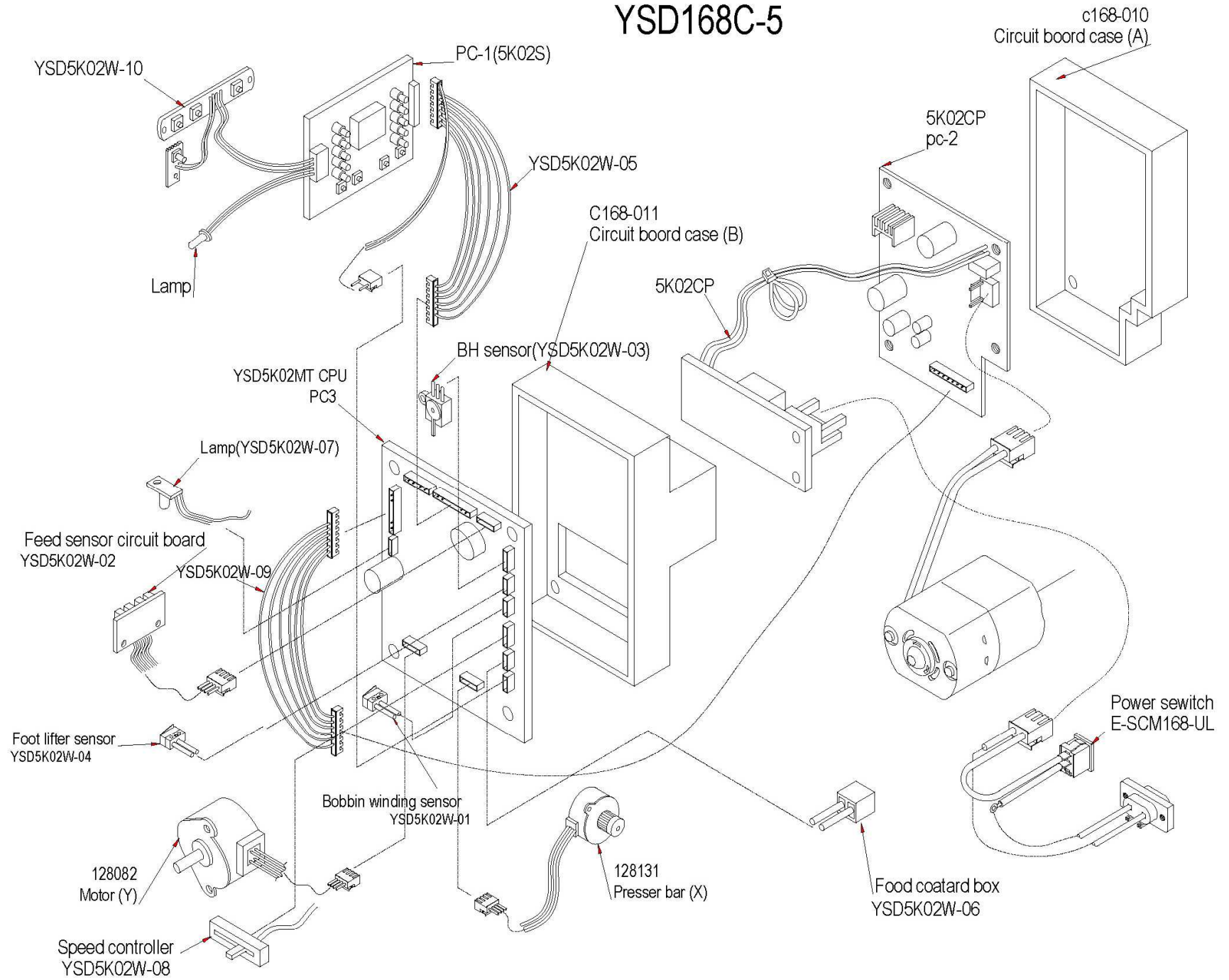
1	270 416083001	switch bax			
2	270 218015	switch show plate			
3	270 E-SCM168-UL	switch			
4	270 180030	power switch plate			
5	270 168221	terminal bracket			
6	270 000083007	pan head screw 3*5			
7	270 000081407	binding head screw 4*8			
8	270 000085607	pan head screw 3*10			
9	270 FU2-3 YM45BS	motor			
10	270 168064	motor plate			
11	270 00008802	snap washer M5			
12	270 000083409	pan head screw 5*10			
13	270 128114	motor driving gear			
14	270 000079103	hexagon socket screw 4*4			
15	270 128117	motor fan			
16	270 000002301	snap ring CS-4			



Ket	Parts No	Name of parts	List	Sys Avg	Cost
-----	----------	---------------	------	---------	------

1	270 321417008	straight stitch foot			
2	270 321416018	overcasting foot			
3	270 128128	buttonhole foot			
4	270 321410001	zipper foot			
5	270 218023	bobbins			
6	270 000201210	needle set			
7	270 986014049	spool pin cap (small)			
8	270 986013046	spool pin cap (large)			
9	270 CY-7308	blind hem foot			
10	270 321406015	buttonhole opener with brush			
11	270 321404	screwdriver			
12	270 Y-168023	needle plate screw driver			
13	270 CY-7303	satin foot			
14	270 180034	foot control			
15	270 SINGER 4166	book			
16	270 E-SCM168-UL(L)	VDE switch			
17	270 C-013	soft dust cover			
18	270 168230	plate			

# YSD168C-5



<u>Ket</u>	<u>Parts No</u>	<u>Name of parts</u>	<u>List</u>	<u>Sys Avg</u>	<u>Cost</u>
1	270 5K02S	PC-1 (YSD5K02S)			
2	270 5K02CP	PC-2 & PC-4 (YSD5K02P)			
3	270 5K02MT CPU	PC-3 (YSD5K02MT)			
4	270 YSD5K02W-01	bobbin winding sensor			
5	270 YSD5K02W-02	feed sensor circuit board			
6	270 YSD5K02W-03	BH sensor			
7	270 YSD5K02W-04	foot lifter sensor			
8	270 YSD5K02W-05	cable			
9	270 YSD5K02W-06	food coatard box			
10	270 YSD5K02W-07	lamp			
11	270 YSD5K02W-08	speed controller			
12	270 YSD5K02W-09	cable-1			
13	270 YSD5K02W-10	button			
14	270 128131	step moter X			
15	270 128082	step moter Y			