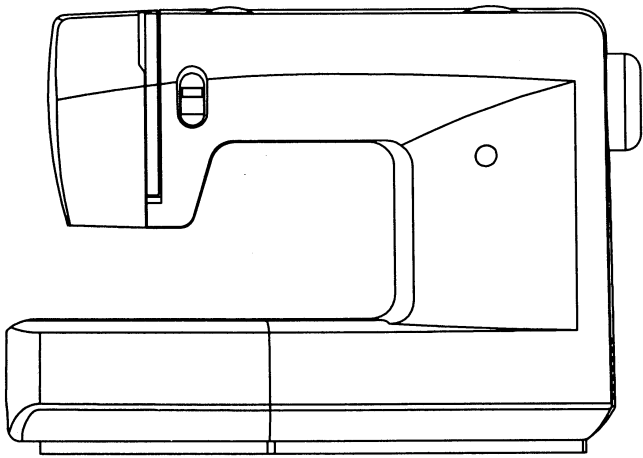


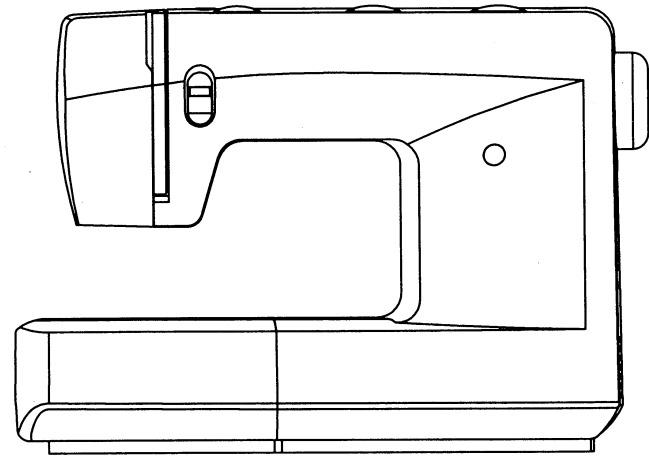
Parts List

SINGER®

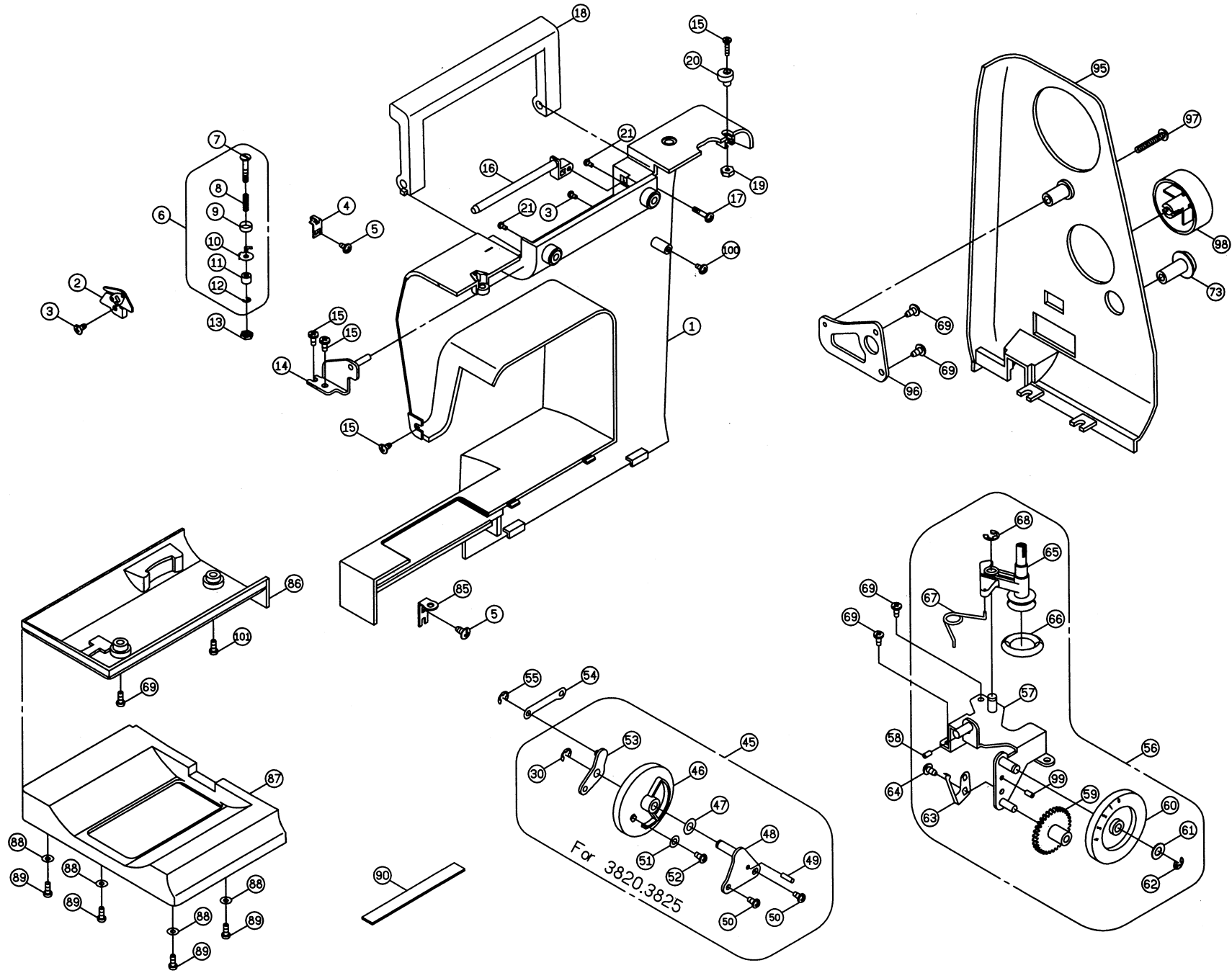
Model 3810/3820/3825

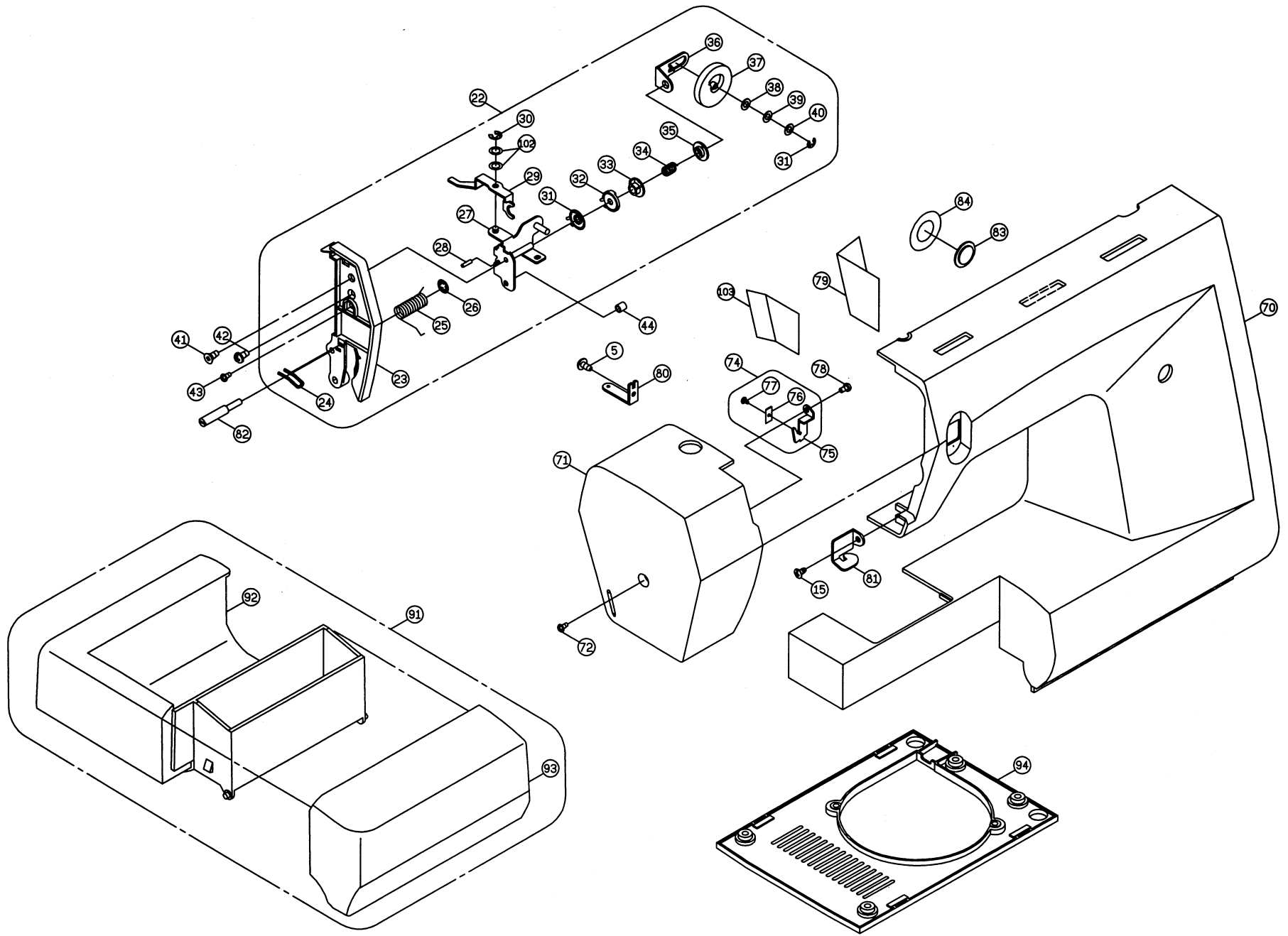


MODEL:3810



MODEL:3820.3825



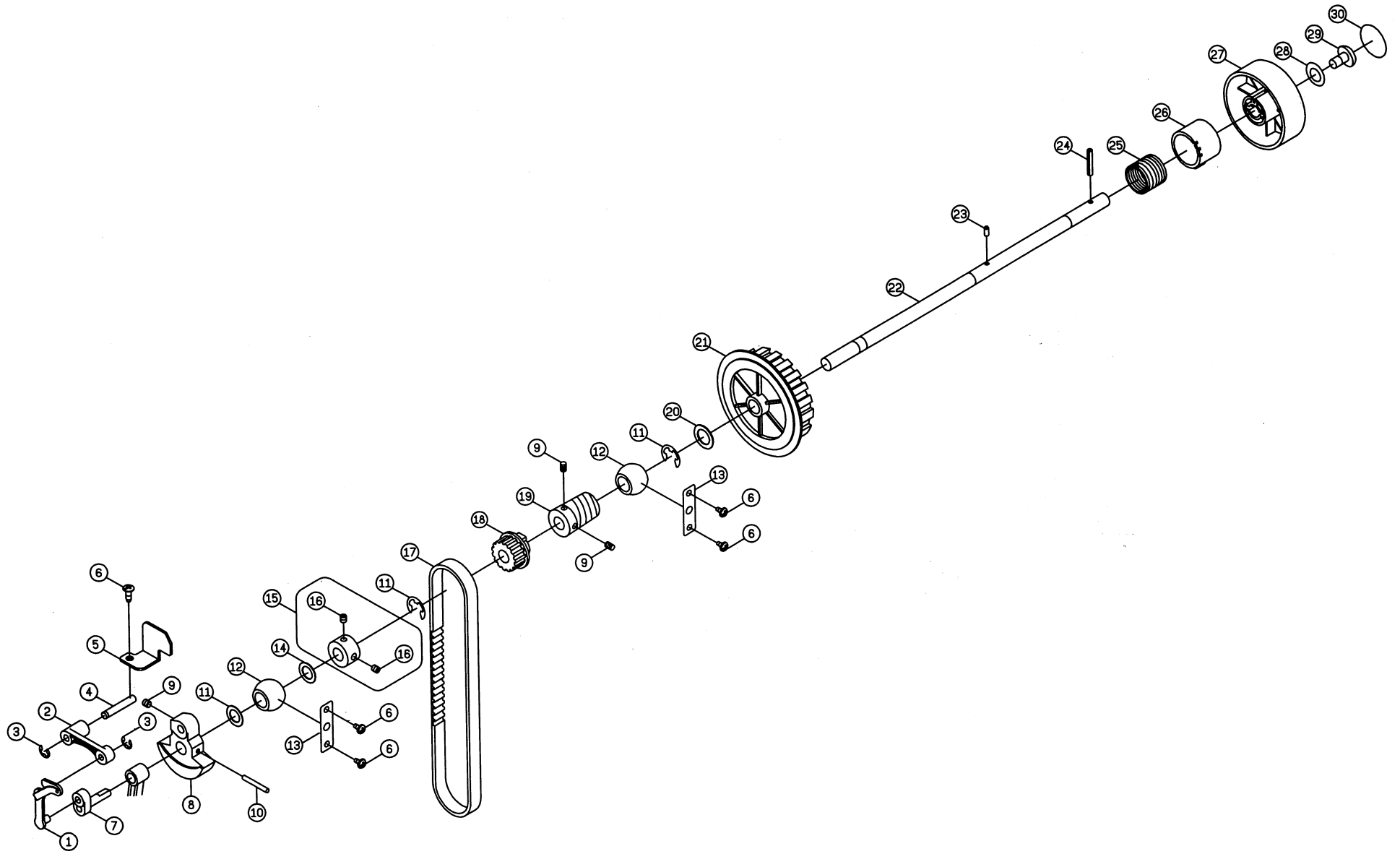


No.	Part No.	Description
1	E1B6003210	Back cover
2	V610155000	Thread guide complete
3	004230326	Set screw (M3x12)
4	E1A2043001	Thread guide
5	004230085	Set screw (M3x6)
6	E1A2065000	Bobbin winder thread guide complete
7	E1A2053001*	Bobbin winder thread guide adjusting screw
8	H13153001*	Bobbin winder thread guide spring
9	H13133001*	Bobbin winder spring disc
10	V610223001*	Bobbin winder thread guide
11	E1A2353006*	spacer
12	003010033*	E-Ring (ETW-3)
13	004840106	Nut (ALN-4)
14	V61253006	Arm top cover plate
15	004240106	Set screw (M4x8 A)
16	E1A1663210	Spool rod
17	004230655	Set screw (M3x15)
18	E1A1763210	Handle
19	004706013	Nut (9/64x40 t=3)
20	E1A2393000	Bobbin winder stopper
21	004240186	Set screw (M4x15 B)
22	E4B0104210	Dial tension complete
23	E4B0033210	Dial tension supporter plate cover
24	V61873000*	Thread guide
25	E1A2073000	Thread guide spring (CSTW-4.5)
26	003020453*	Thread guide spring washer
27	E1A2183006	Dial tension supporter plate
28	003043010*	Spring pin (φ 3x10x0.6)
29	E1A2113003*	Dial tension waft plate
30	003010043*	E-Ring (E-4)
31	E1A2333001*	Dial tension disc
32	J30423001*	Dial tension disc (1)
33	R10593000*	Dial tension spring regulator
34	K50183003*	Dial tension spring
35	K50193000*	Dial tension regulator
36	V60273006*	Dial tension spring plate

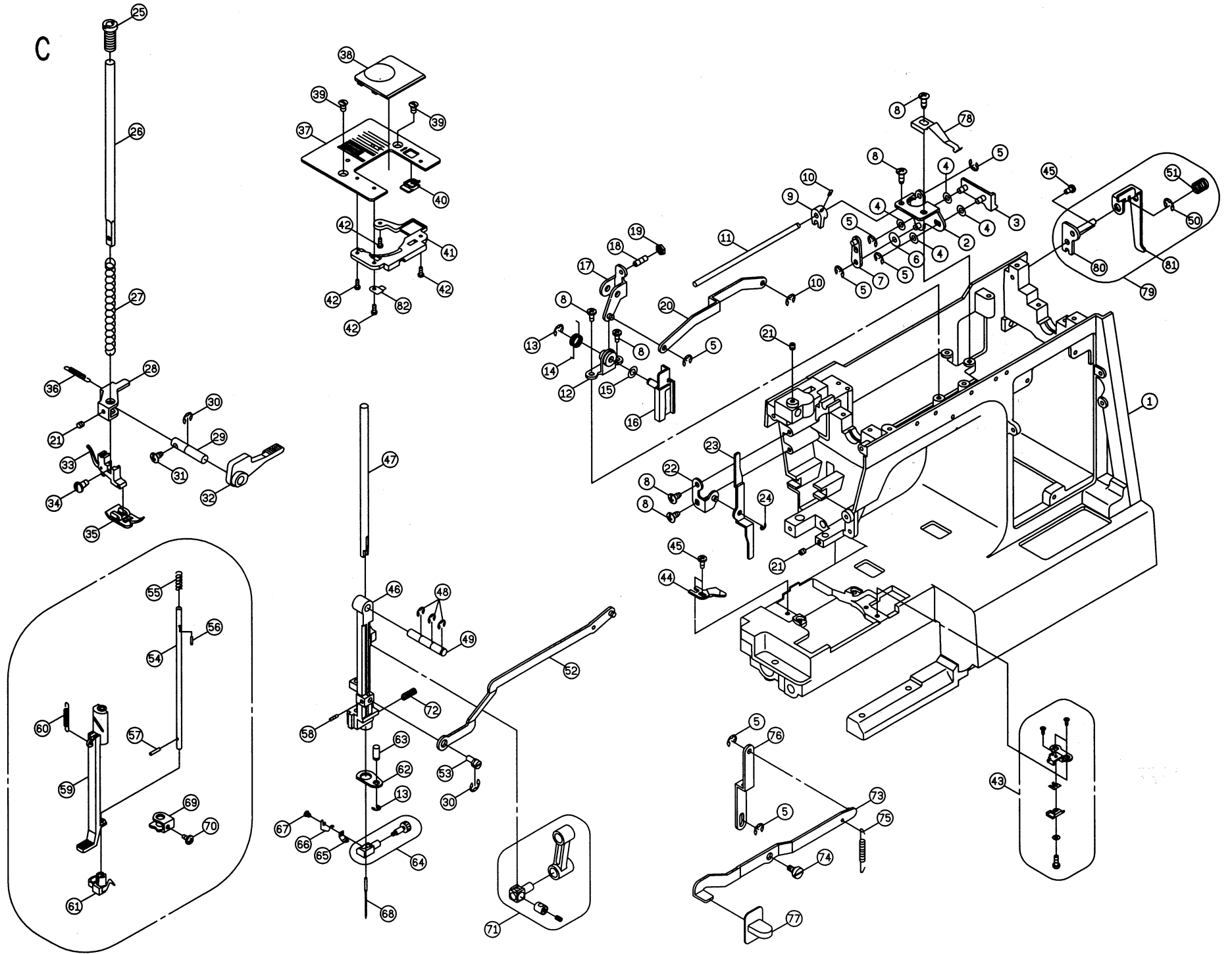
No.	Part No.	Description
37	E4A0063210	Dial tension knob
38	004300713*	Washer (5.2x10x0.2)
39	004500360*	Washer (WW-5)
40	004300643*	Washer (5.2x10x0.5)
41	004240286*	Set screw (M4x13B)
42	004240176*	Set screw (M4x6D)
43	004240146*	Set screw (M4x15B)
44	H11103001*	Dial tension guide spring tube
45	E4B8794210	Zig zag width dial complete
46	E4B8793210*	Zig zag width dial(3825)
47	004900063*	Washer
48	E3A0113006*	Zig zag width dial plate
49	003043010*	Spring pin(φ 3X10)
50	004240056*	Set screw(M4x6 B)
51	004300076*	Washer(4.2x9x0.5)
52	004240782*	Set screw(M4x10 B)
53	E3A0143006*	Zig zag width crank
54	E3A0153003*	Zig zag width crank rod
55	003010036*	E-Ring (E-4)
56	E4B8284210	Bobbin winder frame complete
57	E1A1785000*	Bobbin winder frame
58	003043006*	Spring pin (Ø3x6)
59	V61183000*	Feed regulator gear
60	E1B8283210*	Feed regulator dial(3810)
60	E4B8293210	Feed regulator dial(3825)
61	004300186*	Washer (6.2x12x0.5)
62	003010046*	E-Ring (ETW-4)
63	EAA0203003*	Feed regulator set plate
64	004240676*	Set screw(M4x5)
65	V61165000*	Bobbin winder crank complete
66	F20213000*	Bobbin winder rubber pulley
67	V61563003*	Bobbin winder crank spring
68	003010053*	E-Ring (ETW-5)
69	004240286*	Set screw (M4x13B)
70	E1B0023210	Front cover(3810)

No.	Part No.	Description
70	E3B0023210	Front cover(3820)
70	E4B0093210	Front cover(3825)
71	E1B0033210	Face plate
72	004240782	Set screw (M4x12)
73	E1A1703210	Adjusting dial
74	E1A1995000	Thread cutter complete
75	E1A1993001*	Thread cutter plate
76	J31283000*	Thread cutter
77	004220012*	Set screw (M2x4)
78	004230126	Set screw (M3x8B)
79	K81753000	Heat resistant plate
80	E1A1623002	Arm front cover set plate
81	E1A1883001	Arm top cover thread guide plate
82	004240982	Set screw
83	F30103000	Pattern display window
84	008465000	Sticker
85	E1A1673002	Arm back cover set plate
86	E3A0203210	Free arm base
87	E1A1753210	Free arm foot bush
88	004300136	Washer (4.2x8x0.8)
89	00423066	Set screw (M3x12)
90	E1A1843000	Sewing table body felt
91	E4B0044210	Sewing table complete
92	E1A1823210	Sewing table body
93	E4B0043210	Sewing table body cover
94	E1A1863210	Cord reel cover
95	E1A6013210	Motor drive belt cover
96	E1A1723003	Motor drive belt cover frame
97	004241106	Set screw (M4x25A)
98	E4A0053210	Selector dial
99	003043006	Pin (SP3x6 3820.3825)
99	003043008	Pin (SP3x8 3810)
100	004240306	Set screw (MAX10D)
101	004240136	Set screw (M4x12B)
102	004300873	Washer (5x8x0.5)

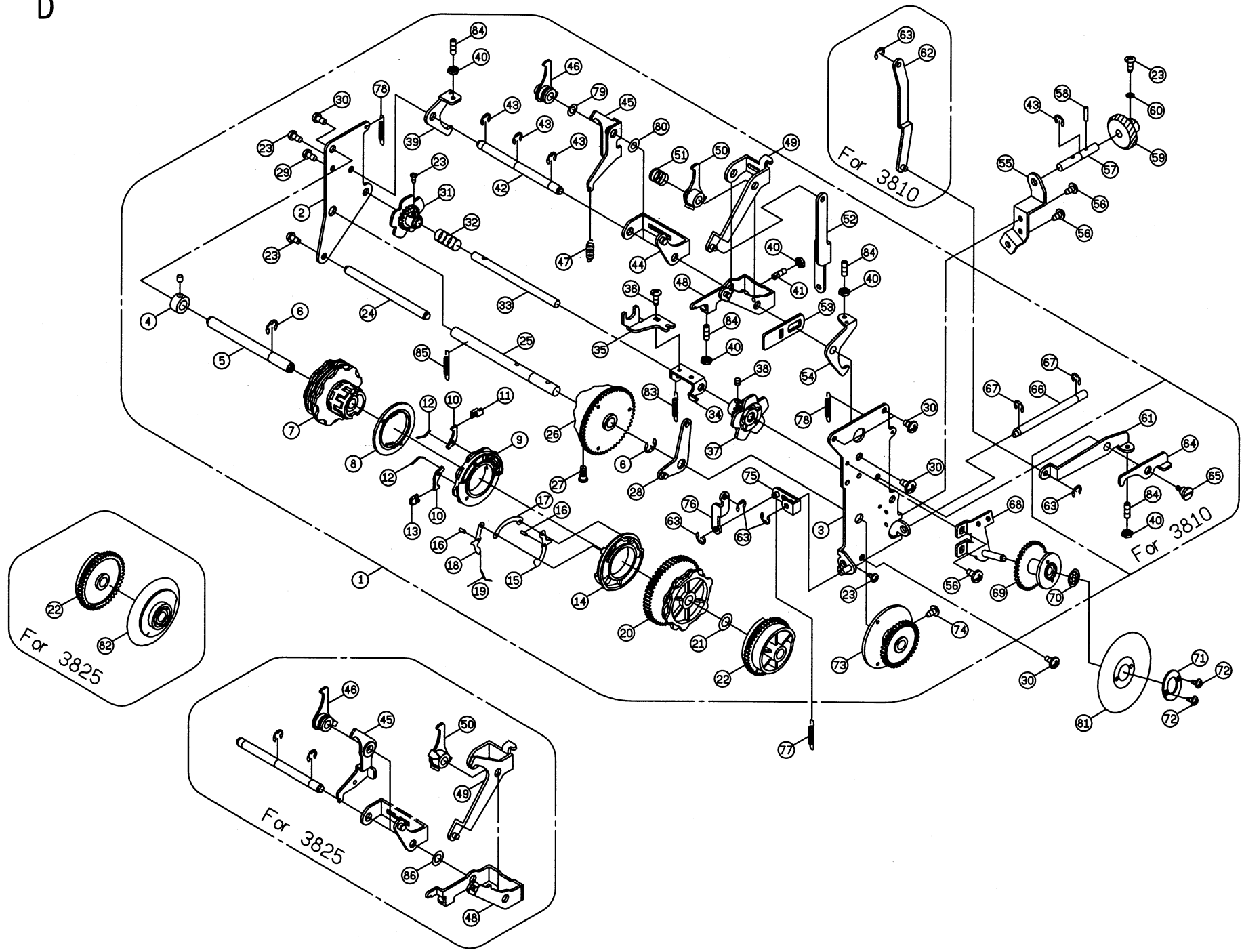
B



No.	Part No.	Description
1	V60213001	Thread take up lever
2	V10523000	Thread take up lever supporter
3	003010043	E-Ring (ETW-4)
4	V60223003	Thread take up lever supporter shaft
5	E1A2313003	Set washer
6	004240106	Set screw (M4x8 A)
7	V10543000*	Arm shaft balance pin
8	E1A2213000	Arm shaft balance
9	004240223	Set screw (M4x6)
10	003043524	Arm shaft balance pin (ϕ 3.5x24)
11	003010093	E-Ring(ETW-9)
12	R10293000	Arm shaft bushing
13	V60113003	Arm shaft bushing holder plate
14	004400080	Endure attrition washer (10.2x16x0.5)
15	R10304000	Arm shaft collar complete
16	004250203	Set screw (M5x5)
17	E1A0083000	Motor drive belt
18	E1A0053000	Arm shaft sprocket
19	E1A0065000	Arm shaft worm complete
20	004300853	Washer (10.2x15x0.5)
21	V60103000	Arm shaft drive belt pulley
22	E1A0044000	Arm shaft
23	003043014	Spring pin (ϕ 3x14)
24	003043018	Spring pin (ϕ 3x18)
25	R10393003	Arm shaft clutch annulus spring
26	R10403000	Arm shaft collar
27	E1A0073210	Hand wheel
28	004300586	Hand wheel washer (5.2x16x1.0)
29	004250086	Set screw (M5x12)
30	V16893210	Hand wheel decorated plate



D

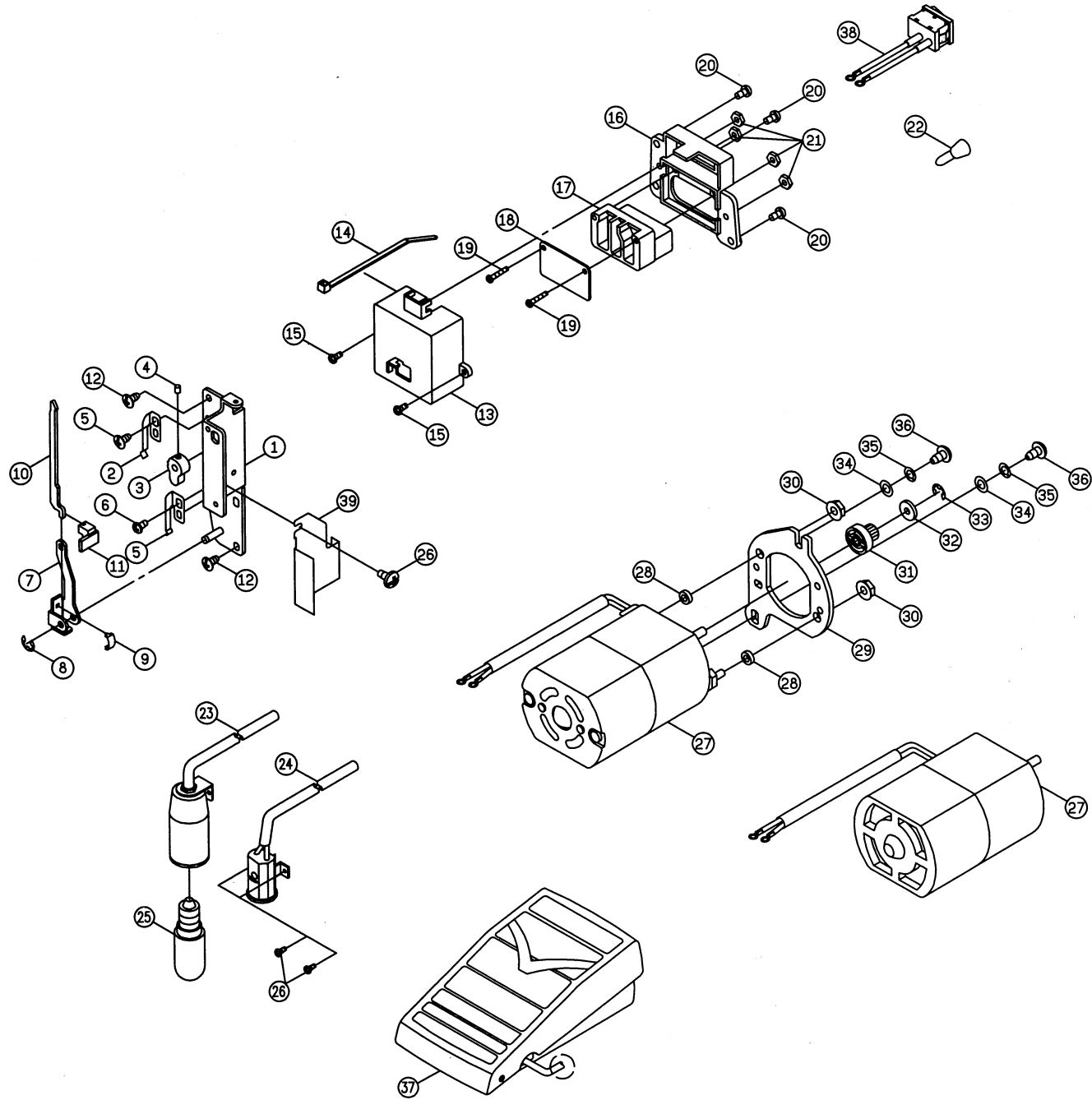


No.	Part No.	Description
1	E1B0014000	Pattern cam contact complete(3810)
1	E3B0014000	Pattern cam contact complete(3820)
1	E4B0084000	Pattern cam contact complete(3825)
2	E1A0673003	Pattern cam contact plate (back)
3	E1A0653003	Pattern cam contact plate (front)
4	H11935000	Pattern cam shaft collar complete
5	E1A0683003	Pattern cam shaft
6	003010063	E-RING(ETW-6)
7	E1A0713000	Pattern cam(3810)
7	E3A0063000	Pattern cam(3820)
7	E4A0023000	Pattern cam(3825)
8	E1A0833000	Straight stitch cam
9	E1A0783000	BH cam
10	E1A0793002	BH contact
11	E1A0813000	BH slide block B
12	E1A0823000	BH contact spring plate
13	E1A0803000	BH slide block A
14	E1A0723000	BH feed regulator cam
15	E1A0743002	BH clutch contact A
16	E1A0733000	BH clutch shaft
17	E1A0763002	BH clutch lever
18	E1A0753002	BH clutch contact B
19	E1A0773003	BH clutch spring plate
20	E1A0703000	SS cam(3810.3820)
20	EAA0043000	SS cam(3825)
21	004300863	Washer(8.2x14x0.5)
22	E1A0693000	Feed regulator cam(3810.3820)
22	EAA0033000	Feed regulator cam(3825)
23	004230286	Set screw (M3x8 B)
24	E1A1003003	Pattern cam contact supporter shaft
25	E1A1013003	Pattern selector cam shaft(3810.3820)
25	EAA0183003	Pattern selector cam shaft(3825)
26	E1A1023000	Pattern selector cam(960A)
26	E3A0073000	Pattern selector cam(980A)
26	E4A0043000	Pattern selector cam(990A)

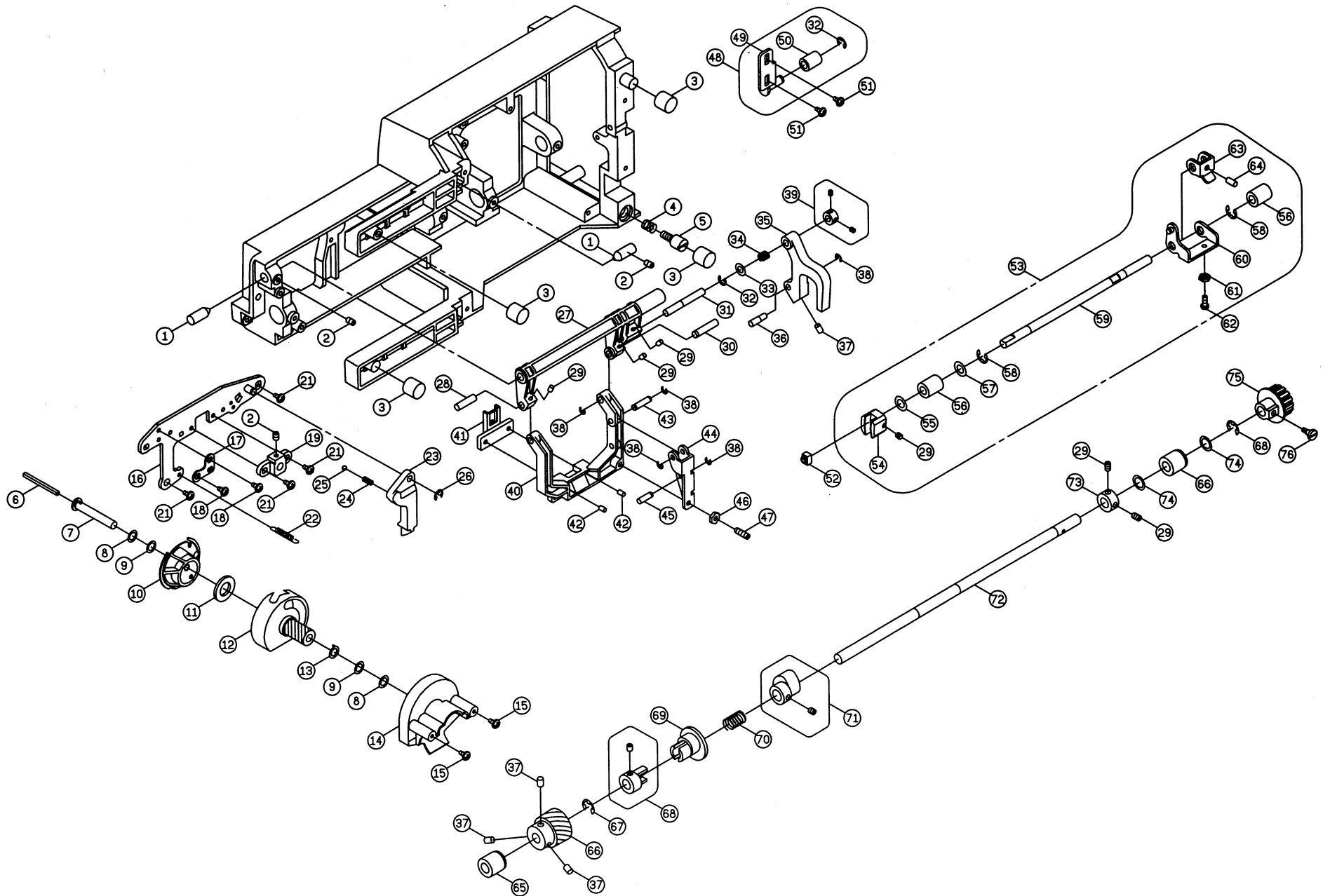
No.	Part No.	Description
27	004240423	Set screw
28	E1A1033003	Pattern selector adjusting lever
29	004240046	Set screw(M4x10 B)
30	004240106	Set screw (M4x8 A)
31	E1A1053000	Zig zag cam
31	E3A0083000	Zig zag cam(3820)
32	V10693003	Zig zag width contact spring(3810.3820)
33	E1A1043000	Pattern selector cam shaft
34	E1A1073006	Zig zag movement contact
35	E1A1083003	Movement plate
36	004230016	Set screw (M3x6 A)
37	E1A1093000	Stretch stitch release(3810.3825)
37	E3A0093000	Stretch stitch release(3820)
38	004240503	Set screw (M4x4)
39	E1A0893003	Zig zag release plate
40	004840106	Set screw
41	004240633	Set screw(M4x12)
42	E1A0843000	Zig zag cam contact supporter shaft
43	003010056	E-RING(ETW-5)
44	E1A0853003	Zig zag cam contact supporter
45	E1A0963003	BH Feed crank(3810.3820)
45	E4A0033003	BH Feed crank(3825)
46	E1A0873003	Zig zag cam contact(3810.3820)
46	EAA0063003	Zig zag cam contact(3825)
47	E1A0973003	BH Feed crank spring
48	E1A0953003	BH adjusting crank(3810.3820)
48	EAA0093003	BH adjusting crank(3825)
49	E1A0913003	SS cam contact supporter(3810.3820)
49	EAA0073003	SS cam contact supporter(3825)
50	E1A0923003	SS cam contact(3810.3820)
50	EAA0083003	SS cam contact(3825)
51	E1A0903003	Zig zag release plate
52	E1A0943003	Feed rock shaft
53	E1A0983003	BH adjusting plate
54	E1A0993003	Stretch stitch release plate

No.	Part No.	Description
55	E1A1253003	Selector dial plate
56	004240056	Set screw (M4x6 B)
57	E1A1243006	Selector dial shaft
58	003042512	Spring pin (φ 2.5x12)
59	E1A1263000	Selector gear
60	006300673	Washer (3.2x6.1x0.5)
61	E1A1143003	Zig zag width crank
62	E1A1353003	Zig zag width crank rod
63	003010033	E-RING(ETW-3)
64	E1A1153003	Zig zag width selector plate
65	004230613	Set screw
66	E1A1113000	Adjusting shaft
67	003010043	E-RING(ETW-4)
68	E4B0063003	Pattern gear plate
69	E4B0053000	Pattern gear
70	003020043	CS ring
71	E1A1213006	Pattern selector plate
72	004220076	Set screw(M2x5)
73	E1A1173000	Zig zag selector cam
74	004020046	Set screw (M4x10 B)
75	E1A1123003	Rod
76	E1A1333000	Zig zag width spring
77	M70093000	Auto threaded lever spring(3810)
78	H70553003	Spring
79	004300333	Washer(6.7x12x0.5)
80	004300443	Washer(6.7x14x0.2)
81	E1B8293210	Pattern selector plate(3810)
81	E3B8293210	Pattern selector plate(3820)
81	E4B8293210	Pattern selector plate(3825)
82	EAA0023000	Stretch stitch selector cam(3825)
83	M70093000	Auto threaded lever spring(3825)
84	004241093	Set screw (M4x9)
85	E1A1223003	Feed regulating crank spring
86	004300833	Washer(6.6x14x0.25)

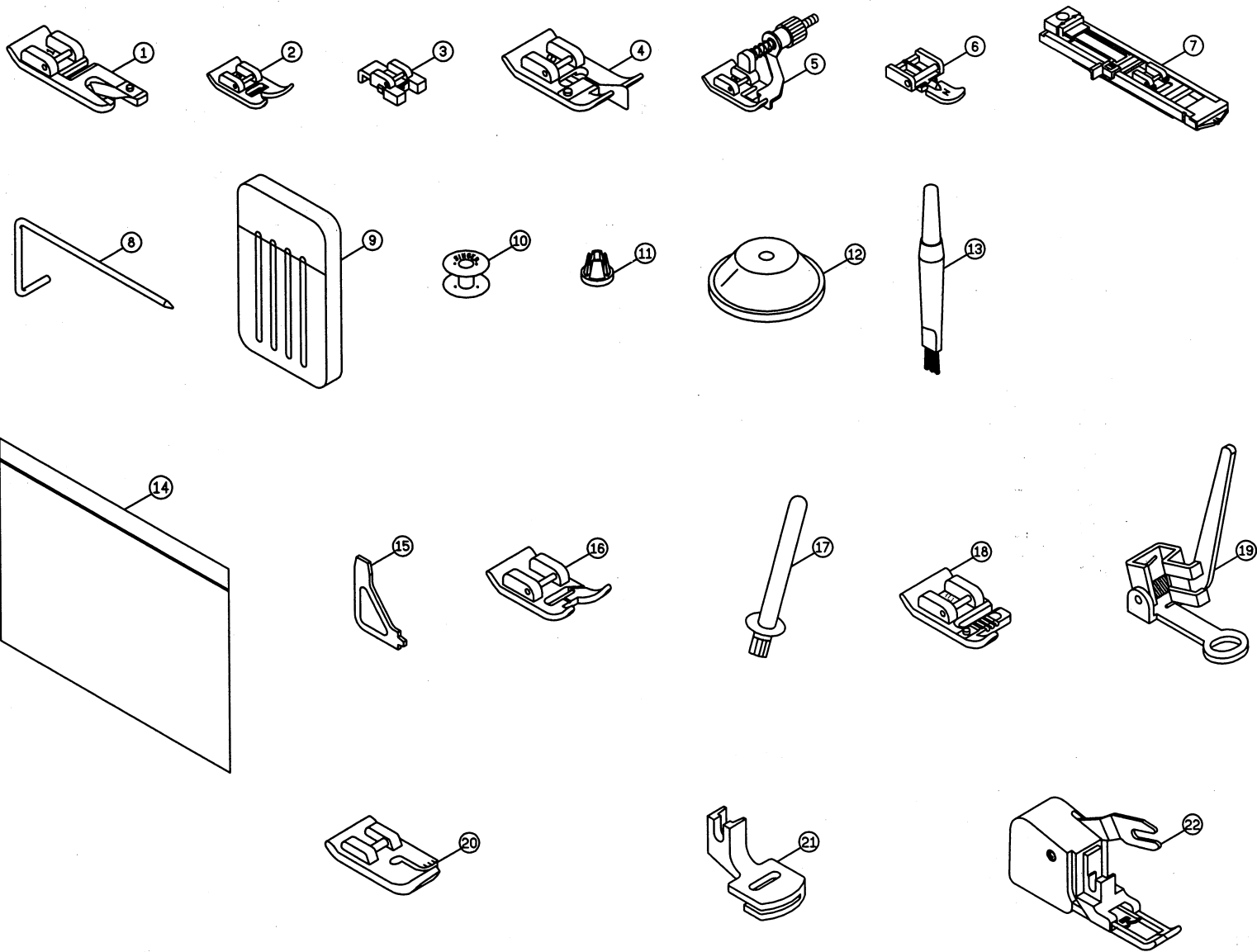
E



F



G



029190004 (1版)