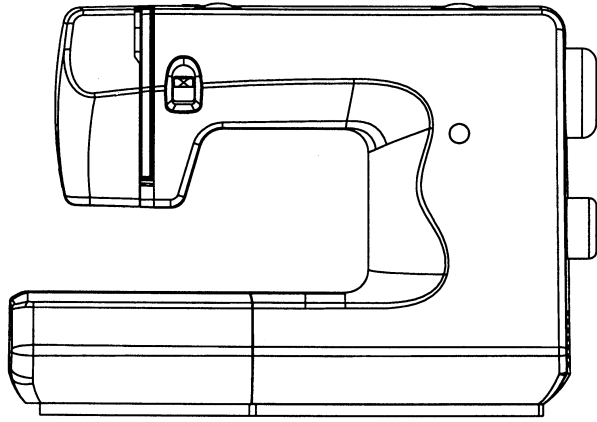


Parts List

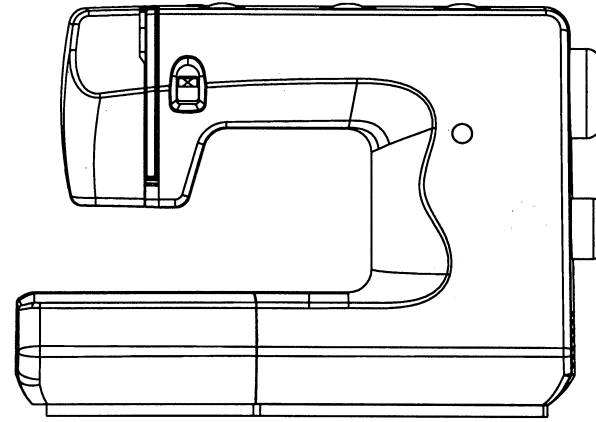
SINGER®

Model 3709A/3722A

6510

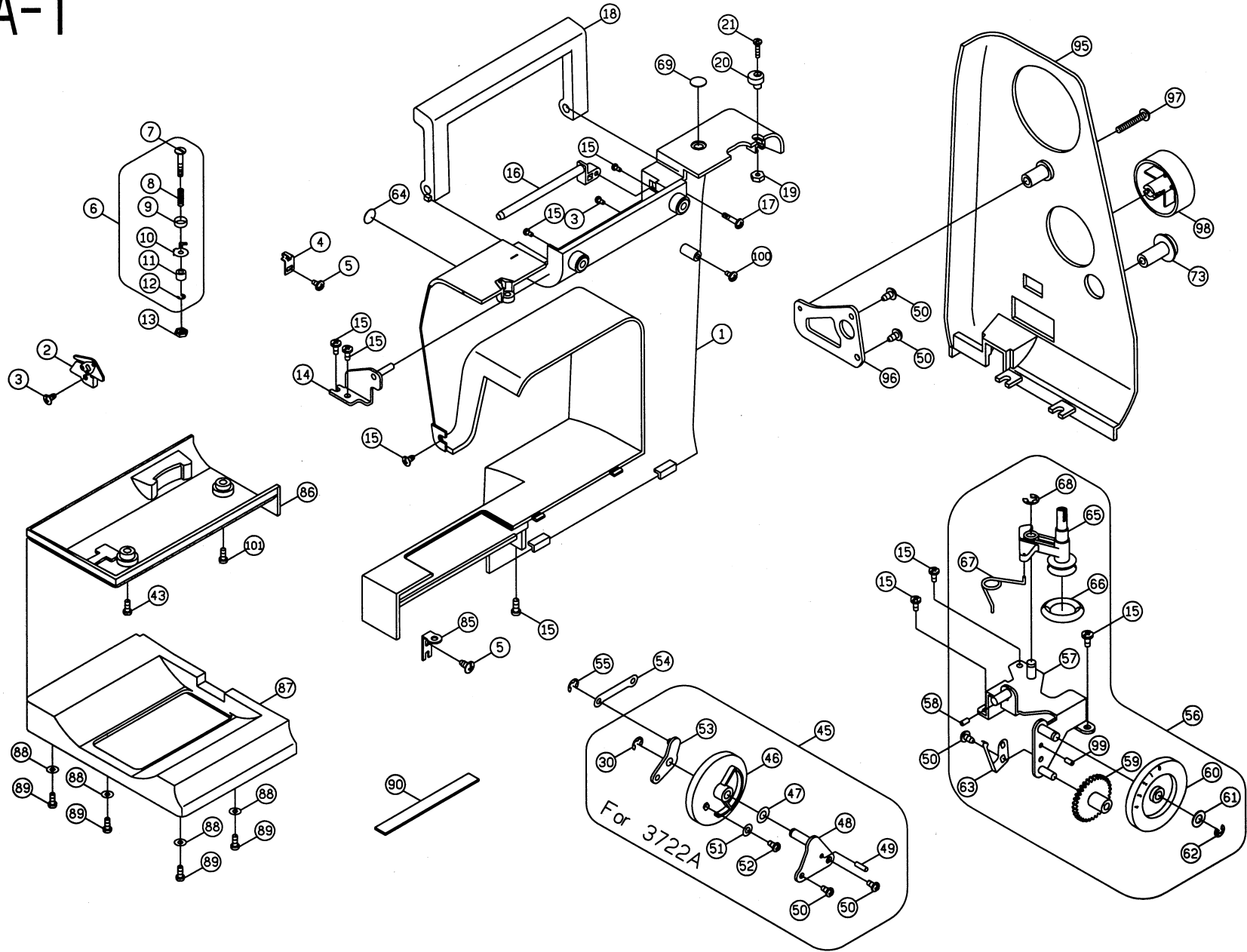


MODEL:3709A

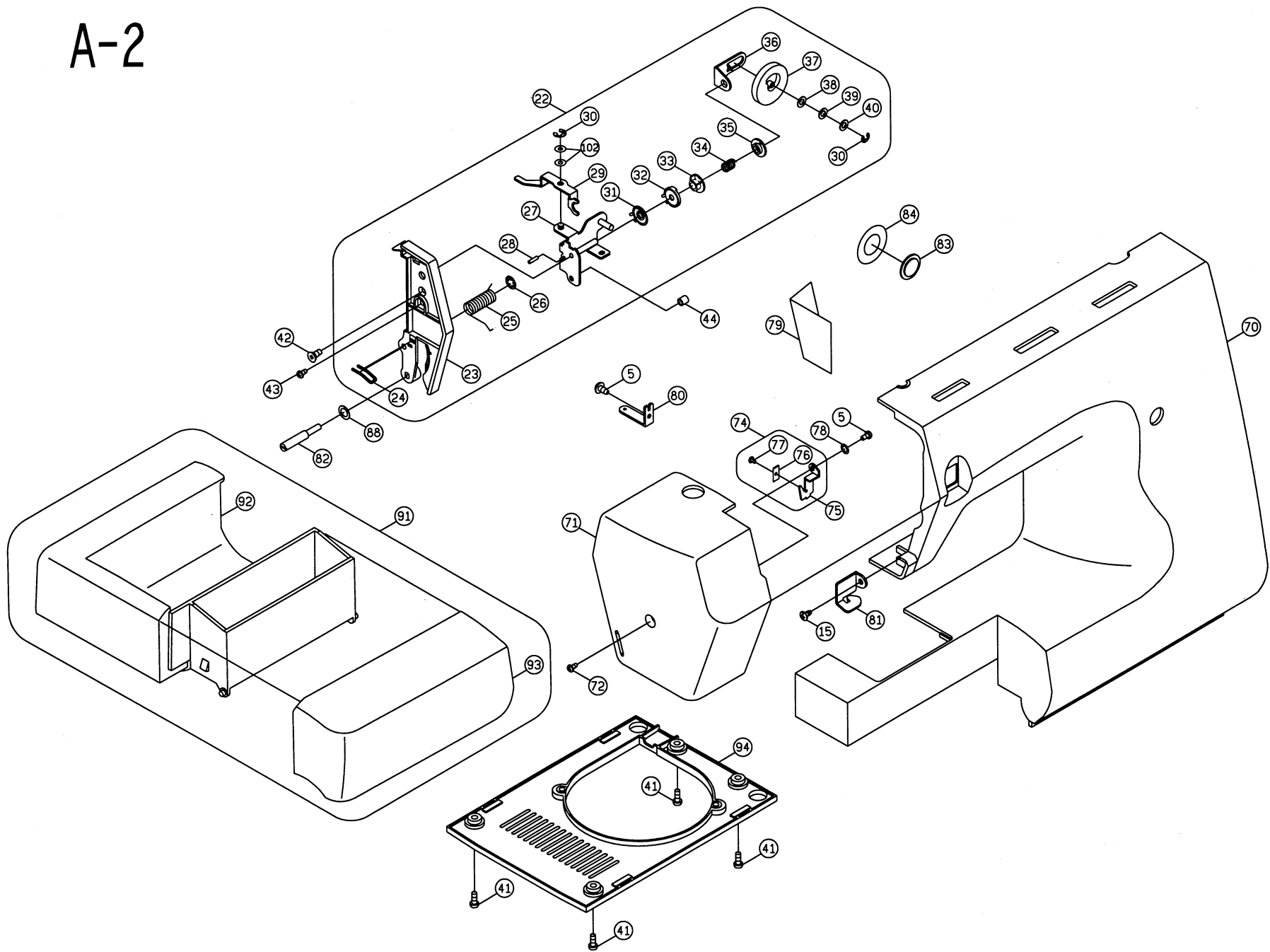


MODEL:3722A

A-1



A-2

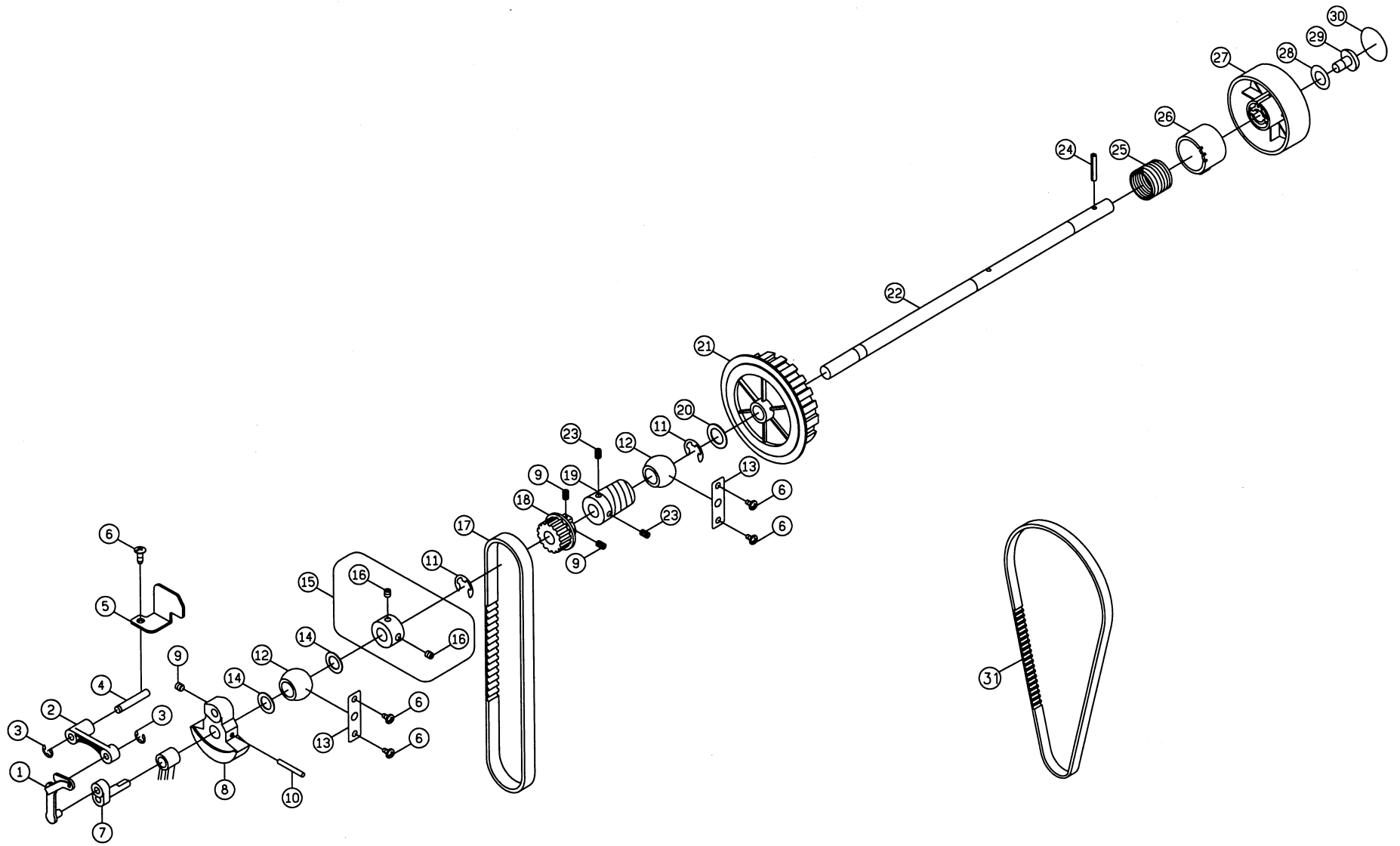


| No. | Part No. | Description | 中文名稱 |
|-----|-------------|--------------------------------------|-----------------|
| 1 | E1A1643210 | Back cover | 上臂後蓋 |
| 2 | V610155000 | Thread guide complete | 上線導板(組) |
| 3 | 004230326 | Set screw (M4×8) | 螺絲(M4×8 自攻割尾) |
| 4 | E1A2043001 | Thread guide | 中間導板 |
| 5 | 004230215 | Set screw (M3×8.5) | 螺絲(M3×8.5 自攻尖尾) |
| 6 | E1A2065000 | Bobbin winder thread guide complete | 捲線導板(組) |
| 7 | E1A2053001* | Bobbin winder thread guide adjusting | 捲線導板螺絲 |
| 8 | H13153001* | Bobbin winder thread guide spring | 支持彈簧 |
| 9 | H13133001* | Bobbin winder spring disc | 導線彈簧座 |
| 10 | V610223001* | Bobbin winder thread guide | 捲線導板 |
| 11 | E1A2353006* | Spacer | 捲線導板襯套 |
| 12 | 003010036* | E-Ring (ETW-3) | E型止輪(ETW-3) |
| 13 | 004840106 | Nut (ALN-4) | 調整固定螺帽(ALN-4) |
| 14 | V61253006 | Arm top cover plate | 把手支板 |
| 15 | 004240106 | Set screw (M4×8 A) | 螺絲(M4×8 A大頭) |
| 16 | E1A1663210 | Spool rod | 線輪桿 |
| 17 | 004230655 | Set screw (M3×15) | 螺絲(M3×15 自攻割尾) |
| 18 | E1A1763210 | Handle | 把手 |
| 19 | 004706013 | Nut (9/64×40 t=3) | 螺帽(9/64×40 t=3) |
| 20 | E1A2393000 | Bobbin winder stopper | 捲線輪固定軸 |
| 21 | 004106162 | Set screw (9/64×40×15) | 螺絲(9/64×40×15) |
| 22 | E4C0034210 | Dial tension complete | 上系調節器本台蓋組 |
| 23 | E4C0033210* | Dial tension supporter plate cover | 上系調節器本台蓋 |
| 24 | V61873000* | Thread guide | 導線環 |
| 25 | E1A2073000* | Thread guide spring (CSTW-4.5) | 上系彈簧 |
| 26 | 003020453* | Thread guide spring washer | CS 扣環(CSTW-4.5) |
| 27 | E1A2183006* | Dial tension supporter plate | 上系調節器本台 |
| 28 | 003043010* | Spring pin (φ3×10×0.6) | 彈簧銷(φ3×10×0.6) |
| 29 | E1A2113003* | Dial tension waft plate | 浮動板 |
| 30 | 003010043* | E-Ring (ETW-4) | E型止輪(ETW-4) |
| 31 | E1A2333001* | Dial tension disc | 線調節盤系調子 |
| 32 | J30423001* | Dial tension disc (1) | 上系調節器護線板(1) |
| 33 | R10593000* | Dial tension spring regulator | 上系調節器彈簧襯套 |
| 34 | K50183003* | Dial tension spring | 上系調節器彈簧 |
| 35 | K50193000* | Dial tension regulator | 上系調節器調整筒 |

| No. | Part No. | Description | 中文名稱 |
|-----|-------------|--------------------------------|----------------|
| 36 | V60273003* | Dial tension spring plate | 上系彈簧押板 |
| 37 | R10583210* | Dial tension knob | 上系調節鈕 |
| 38 | 004300713* | Washer (5.2×10×0.2) | 墊圈(5.2×10×0.2) |
| 39 | 004500360* | Washer (WW-5) | 波型墊圈(WW-5) |
| 40 | 004300643* | Washer (5.2×10×0.5) | 墊圈(5.2×10×0.5) |
| 41 | 004240046* | Set screw (M4×10 B) | 螺絲(M4×10 B小頭) |
| 42 | 004240176* | Set screw (M4×6 D) | 螺絲(M4×6 D皿平) |
| 43 | 004240146* | Set screw (M4×15 B) | 螺絲(M4×15 B小頭) |
| 44 | H11103001* | Dial tension guide spring tube | 上系調節器墊環 |
| 45 | E3A0104000 | Zig zag width dial complete | 閘度轉鈕 |
| 46 | E3A0133000* | Zig zag width dial | 作業孔飾板(1) |
| 47 | 004900063* | Washer (6.2×12×2.0×1.0) | 墊圈 |
| 48 | E3A0113006* | Zig zag width dial plate | 閘度轉鈕台板 |
| 49 | 003043010* | Spring pin (φ3×10) | 彈簧銷(φ3×10) |
| 50 | 004240056* | Set screw (M4×6 B) | 螺絲(M4×6 B) |
| 51 | 004300076* | Washer (4.2×9×0.5) | 墊圈(4.2×9×0.5) |
| 52 | 004240782* | Set screw (M4×10 B) | 螺絲(M4×10 B小頭) |
| 53 | E3A0143006* | Zig zag width crank | 閘度腕 |
| 54 | E3A0153003* | Zig zag width crank rod | 閘度腕連桿 |
| 55 | 003010032* | E-Ring (ETW-4) | E型止輪(ETW-4) |
| 56 | E 1 A ~ | Bobbin winder frame complete | 捲線器組 |
| 57 | E1A1785000* | Bobbin winder frame | 捲線器台組 |
| 58 | 003043006* | Spring pin (φ3×6) | 彈簧銷(φ3×6) |
| 59 | V61183000* | Feed regulator gear | 縫目中間齒輪 |
| 60 | E1A1803210* | Feed regulator dial | 縫目轉鈕 |
| 61 | 004300186* | Washer (6.2×12×0.5) | 墊圈(6.2×12×0.5) |
| 62 | 003010046* | E-Ring (ETW-4) | E型止輪(ETW-4) |
| 63 | EAA0203003* | Feed regulator set plate | 縫目定位板 |
| 64 | V61503210 | Plate (1) | 作業孔飾板(1) |
| 65 | V61165000 | Bobbin winder crank complete | 捲線器軸腕組 |
| 66 | F20213000 | Bobbin winder rubber pulley | 捲線器軸輪 |
| 67 | V61563003 | Bobbin winder crank spring | 捲線器軸腕彈簧 |
| 68 | 003011052 | E-Ring (ETW-5) | E型止輪(ETW-5) |
| 69 | V410123210 | Plate | 線輪桿蓋飾板 |
| 70 | E4C0013210 | Front cover | 上臂前蓋(素材) |

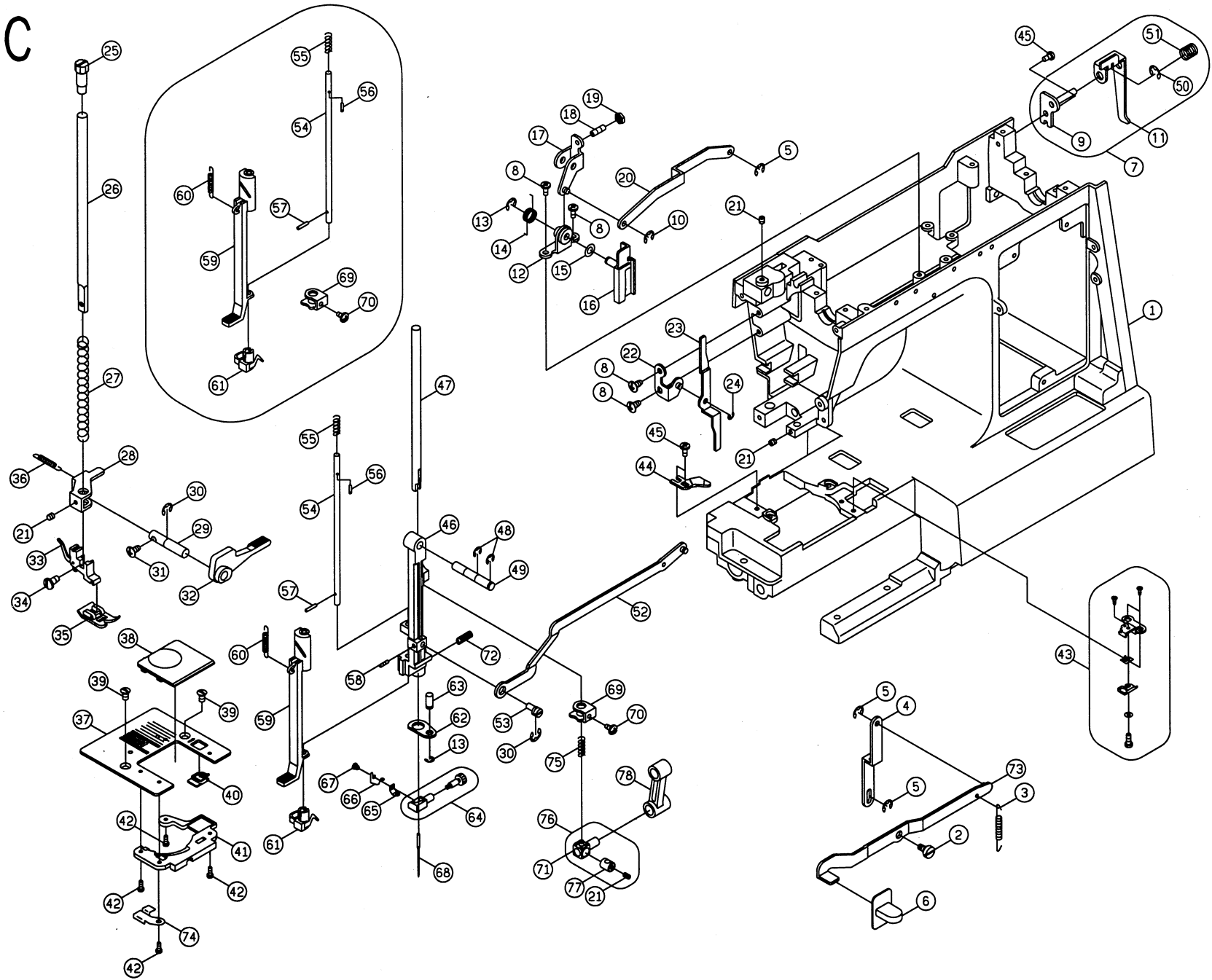
| No. | Part No. | Description | 中文名稱 |
|-----|-------------|------------------------------------------|-----------------|
| 71 | EMC0023210 | Face plate | 面板 |
| 71 | E4C0023210 | Face plate (With hole of Adjusting dial) | 面板(有調節孔) |
| 72 | 004240782 | Set screw (M4×10 B) | 螺絲(M4×10 B 小頭) |
| 73 | E1A1703000 | Adjusting dial | 微調轉鈕 |
| 74 | E1A1995000 | Thread cutter complete | 切線器組 |
| 75 | E1A1993001* | Thread cutter plate | 切線器板 |
| 76 | J31283000* | Thread cutter | 自動切線器刀片 |
| 77 | 004220012* | Set screw (M4×12) | 螺絲(M4×12 傘頭) |
| 78 | 004300676 | Washer (3.2×8×0.8) | 墊圈(3.2×8×0.8) |
| 79 | E1A2523000 | Heat resistant plate | 面板隔熱板 |
| 80 | E1A1623002 | Arm front cover set plate | 前蓋固定板 |
| 81 | E1A1883001 | Arm top cover thread guide plate | 上臂上線導向板 |
| 82 | 004240982 | Set screw | 段螺絲 |
| 83 | F30103000 | Pattern display window | 模樣表示窗 |
| 84 | 008465000 | Sticker | 模樣指示窗黏貼板 |
| 85 | E1A1673002 | Arm back cover set plate | 後蓋固定板 |
| 86 | E1A1743210 | Free arm base | 底盤蓋 |
| 87 | E1A1753210 | Free arm foot bush | 底盤腳蓋 |
| 88 | 004300136 | Washer (4.2×8×0.8) | 墊圈(4.2×8×0.8) |
| 89 | 004230066 | Set screw (M3×12) | 螺絲(M3×12 自攻尖尾) |
| 90 | E1A1843000 | Sewing table body felt | 補助板防油墊 |
| 91 | E4C0044210 | Sewing table complete | 補助板組 |
| 92 | E1A1823210* | Sewing table body | 補助板 |
| 93 | E4C0043210* | Sewing table body cover | 補助板蓋 |
| 94 | E1A1863210 | Cord reel cover | 收線器蓋 |
| 95 | E1A1943210 | Motor drive belt cover | 後部蓋 |
| 96 | E1A1723003 | Motor drive belt cover frame | 後部蓋支持板 |
| 97 | 004241106 | Set screw (M4×25 A) | 螺絲(M4×25 A 大頭) |
| 98 | E4A0053210 | Selector dial | 選擇轉鈕 |
| 99 | 003043006 | Pin (SP3×6) | 彈簧銷(SP3×6)3722A |
| 99 | 003043008 | Pin (SP3×8) | 彈簧銷(SP3×8)3709A |
| 100 | 004240306 | Set screw (M4×10 B) | 螺絲(M4×10 B)自攻割尾 |
| 101 | 004240136 | Set screw (M4×12 B) | 螺絲(M4×12 B 小頭) |
| 102 | 004230873 | Washer (5×8×0.5) | 墊圈(5×8×0.5) |

B



| No. | Part No. | Description | 中文名稱 |
|-----|------------|--------------------------------------|--------------------|
| 1 | E1A2683001 | Thread take up lever | 挑線桿 |
| 2 | E1A2653000 | Thread take up lever supporter | 挑線桿支體 |
| 3 | 003010036 | E-Ring (ETW-3) | E 型止輪 (ETW-3) |
| 4 | V60223003 | Thread take up lever supporter shaft | 挑線桿支體軸 |
| 5 | E1A2313003 | Set washer | 挑線桿支持軸壓板 |
| 6 | 004240106 | Set screw (M4×8 A) | 螺絲 (M4×8 A 大頭) |
| 7 | E1A2663000 | Arm shaft balance pin | 挑線桿 90° 銷組 |
| 8 | E1A2213000 | Arm shaft balance | 挑線桿橫錘 |
| 9 | 004240223 | Set screw (M4×6) | 螺絲 (M4×6 內六角) |
| 10 | 003043524 | Arm shaft balance pin (φ3.5×24) | 挑線桿橫錘銷 (φ3.5×24) |
| 11 | 003010093 | E-Ring (ETW-9) | E 型止輪 (ETW-9) |
| 12 | R10293000 | Arm shaft bushing | 上軸軸承 |
| 13 | E1A2623003 | Arm shaft bushing holder plate | 上軸軸承押板 |
| 14 | 004400080 | Endure attrition washer | 耐磨墊圈 |
| 15 | R10304000 | Arm shaft collar complete | 上軸止環組 |
| 16 | 004250203 | Set screw (M5×5) | 螺絲 (M5×5 內六角) |
| 17 | E1A0083000 | Motor drive belt | 正時皮帶 |
| 18 | F4A0033000 | Arm shaft sprocket | 上軸皮帶輪 |
| 19 | E1A0065000 | Arm shaft worm complete | 上軸蝸輪組 |
| 20 | 004300853 | Washer (10.2×15×0.5) | 墊圈 (10.2×15×0.5) |
| 21 | E4A0143210 | Arm shaft drive belt pulley | 上軸驅動皮帶輪 |
| 22 | E1A0044000 | Arm shaft | 上軸 |
| 23 | 004107283 | Set screw (11/64×40×5) | 內六角螺絲 (11/64×40×5) |
| 24 | 003043018 | Spring pin (φ3×18) | 彈簧銷 (φ3×18) |
| 25 | R10393000 | Arm shaft clutch annulus spring | 離合彈簧 |
| 26 | R10403000 | Arm shaft collar | 上軸離合止環 |
| 27 | E1A0073210 | Hand wheel | 飛輪 |
| 28 | 004300586 | Hand wheel washer (5.2×16×1.0) | 飛輪墊圈 (5.2×16×1.0) |
| 29 | 004250346 | Set screw (M5×10) | 螺絲 (M5×10 傘頭) |
| 30 | V16893210 | Hand wheel decorated plate | 飛輪飾板 |
| 31 | 007163471 | Motor drive belt (163XXL6.1) | 馬達皮帶 |

C

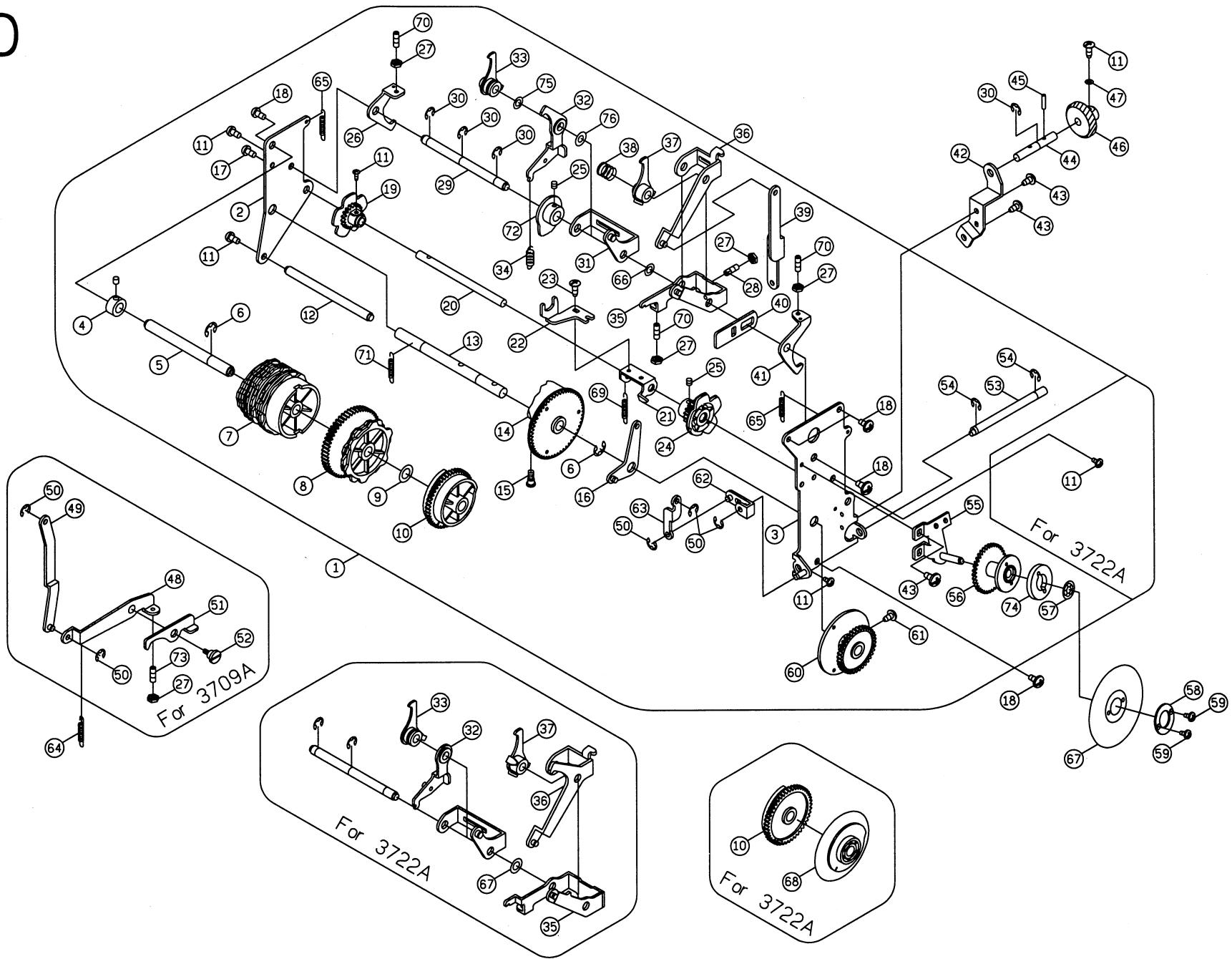


| No. | Part No. | Description | 中文名稱 |
|-----|------------|------------------------------------|-----------------|
| 1 | E1A0013000 | Arm | 上臂底盤 |
| 2 | 004240883 | Reverse lever set screw | 後退桿段螺絲 |
| 3 | M70093000 | Reverse lever spring | 後退桿彈簧 |
| 4 | E1A1553003 | Reverse rod | 後退連桿 |
| 5 | 003010036 | E-Ring (ETW-3) | E 型止環 (ETW-3) |
| 6 | TA10723210 | Reverse button | 後退鈕 |
| 7 | V61205003 | Clutch rod complete | 離合桿台組 |
| 8 | 004240056 | Set screw (M4×6 B) | 螺絲 (M4×6 B 小頭) |
| 9 | V61213003 | Clutch rod plate | 離合桿台板 |
| 10 | 003011043 | E-Ring (ETW-4) | E 型止輪 (ETW-4) |
| 11 | V61233003 | Clutch rod | 離合桿 |
| 12 | E1A1283003 | Zig zag width regulating cam plate | 闊度調節器台板 |
| 13 | 003010043 | E-Ring (ETW-4) | E 型止環 (ETW-4) |
| 14 | E1A1333003 | Zig zag width spring | 闊度調節器彈簧 |
| 15 | 004300713 | Washer (5.2×10×0.2) | 墊圈 (5.2×10×0.2) |
| 16 | E1A1303002 | Zig zag width regulating cam | 闊度調節器 |
| 17 | E1A1323003 | Zig zag regulator crank | 闊度調節腕 |
| 18 | 004240633 | Set screw (M4×12) | 螺絲 (M4×12) |
| 19 | 004840106 | Set Nut (ALN-4) | 調整固定螺帽 (ALN-4) |
| 20 | E1A1343003 | Rod | 振幅連桿 |
| 21 | 004240503 | Set screw (M4×4) | 螺絲 (M4×4 內六角) |
| 22 | E1A0243003 | Movement plate supporter (1) | 浮動板支持板(1) |
| 23 | E1A0253003 | Movement plate (1) | 浮動板(1) |
| 24 | 003010036 | E-Ring (ETW-3) | E 型止環 (ETW-3) |
| 25 | V620163210 | Presser bar regulating screw | 押棒調節螺絲 |
| 26 | E1A0143000 | Presser bar | 押棒 |
| 27 | E1A2493003 | Presser bar spring | 押棒彈簧 |
| 28 | E1A0163003 | Presser bar bracket complete | 押棒固定導架 |
| 29 | E1A2093003 | Presser bar lifter lever shaft | 押棒上下桿軸 |
| 30 | 003010053 | E-Ring (ETW-5) | E 型止環 (ETW-5) |
| 31 | 004240353 | Presser bar lifter lever shaft set | 押棒上下桿軸螺絲 |
| 32 | E1A0173000 | Presser bar lifter lever | 押棒上下桿 |
| 33 | 006910008 | Shank complete | 押布腳上座組 |
| 34 | 004106211 | Shank complete set screw | 押布腳螺絲 |
| 35 | 006918008 | Zip zap presser foot complete | 萬能押布腳 |
| 36 | E1A2323003 | Presser bar bracket spring | 押棒固定導架彈簧 |

| No. | Part No. | Description | 中文名稱 |
|-----|------------|---------------------------------|--------------------|
| 37 | E3A0253004 | Needle plate | 針板 |
| 38 | NB1293000 | Needle plate cover | 針板蓋 |
| 39 | 004240851 | Set screw (M4×6) | 針板螺絲 (M4×6 皿弧) |
| 40 | NB0233000 | Needle plate cover open | 針板蓋開鍵 |
| 41 | E1A2593000 | Needle plate supporter | 針板固定台 |
| 42 | 004103072 | Set screw (SM3/32×56 L=3) | 螺絲 (SM3/32×56 L=3) |
| 43 | E1A0584000 | Rotary hook plate complete | 梭定位板組 |
| 44 | E1A0593002 | Rotary hook plate (1) | 梭定位板(1) |
| 45 | 004240056 | Set screw (M4×6) | 螺絲 (M4×6 自攻) |
| 46 | E1A0103000 | Needle bar supporter | 針棒支體 |
| 47 | NB0533000 | Needle bar | 針棒 |
| 48 | 003080052 | E-Ring (ETW-5) | E 型止環 (ETW-5) |
| 49 | E1A1893000 | Needle bar supporter pin | 針棒支體銷 |
| 50 | 003010046 | E-Ring (ETW-4) | E 型止輪 (ETW-4) |
| 51 | V61243003 | Clutch rod spring | 離合桿彈簧 |
| 52 | E1A0183003 | Needle bar driving rod (3709A) | 針棒引棒(3709A) |
| 52 | E3A0013003 | Needle bar driving rod (3722A) | 針棒引棒(3722A) |
| 53 | E1A2433000 | Needle bar driving rod pin | 針棒引棒偏心銷 |
| 54 | E1A0113000 | Auto threaded shaft | 自動穿線器軸 |
| 55 | R12793003 | Auto threaded shaft spring | 自動穿線器彈簧 |
| 56 | 003042014 | Auto threaded shaft pin (φ2×14) | 彈簧銷 (φ2×14) |
| 57 | 003042006 | Auto threaded shaft pin (φ2×6) | 彈簧銷 (φ2×6) |
| 58 | 004106233 | Set screw (9/64×40×5) | 螺絲 (9/64×40×5) |
| 59 | E1A0123000 | Auto threaded lever | 自動穿線器作動桿 |
| 60 | M70093000 | Auto threaded lever spring | 自動穿線器桿彈簧 |
| 61 | E1A2125000 | Auto threaded | 自動穿線器組 |
| 62 | E1A0193003 | Needle bar supporter plate | 針棒支持台搖動板 |
| 63 | E1A0203003 | Needle bar supporter plate pin | 搖動板銷 |
| 64 | H10205000 | Needle clamp complete | 針留組(圓) |
| 65 | R12573000 | Needle guide plate | 針導板 |
| 66 | H10223000 | Needle bar thread guide | 針棒護線勾 |
| 67 | 004103011 | Set screw (3/32×56×4.1) | 針棒系掛螺絲 |
| 68 | 006176008 | Needle | 勝家針 |
| 69 | M70073002 | Auto threaded stopper | 自動穿線器停止器 |
| 70 | 004230016 | Set screw (M3×6 A) | 螺絲 (M3×6 A 大頭) |
| 71 | H10195000 | Needle bar crank rod complete | 針棒抱組 |

| No. | Part No. | Description | 中文名稱 |
|-----|------------|-----------------------------|---------|
| 72 | H50583003 | Needle bar supporter spring | 針棒支體彈簧 |
| 73 | E1A1543006 | Reverse lever | 後退桿 |
| 74 | E1A2603000 | Needle plate spring plate | 針板蓋彈簧板 |
| 75 | H10723003 | Tension lever lifter spring | 鬆線調節板彈簧 |
| 76 | H10253000 | Needle bar bracket (1) | 針棒抱(1) |
| 77 | H10263000 | Needle bar bracket (2) | 針棒抱(2) |
| 78 | V60193000 | Needle bar crank rod | 針棒連動桿 |

D

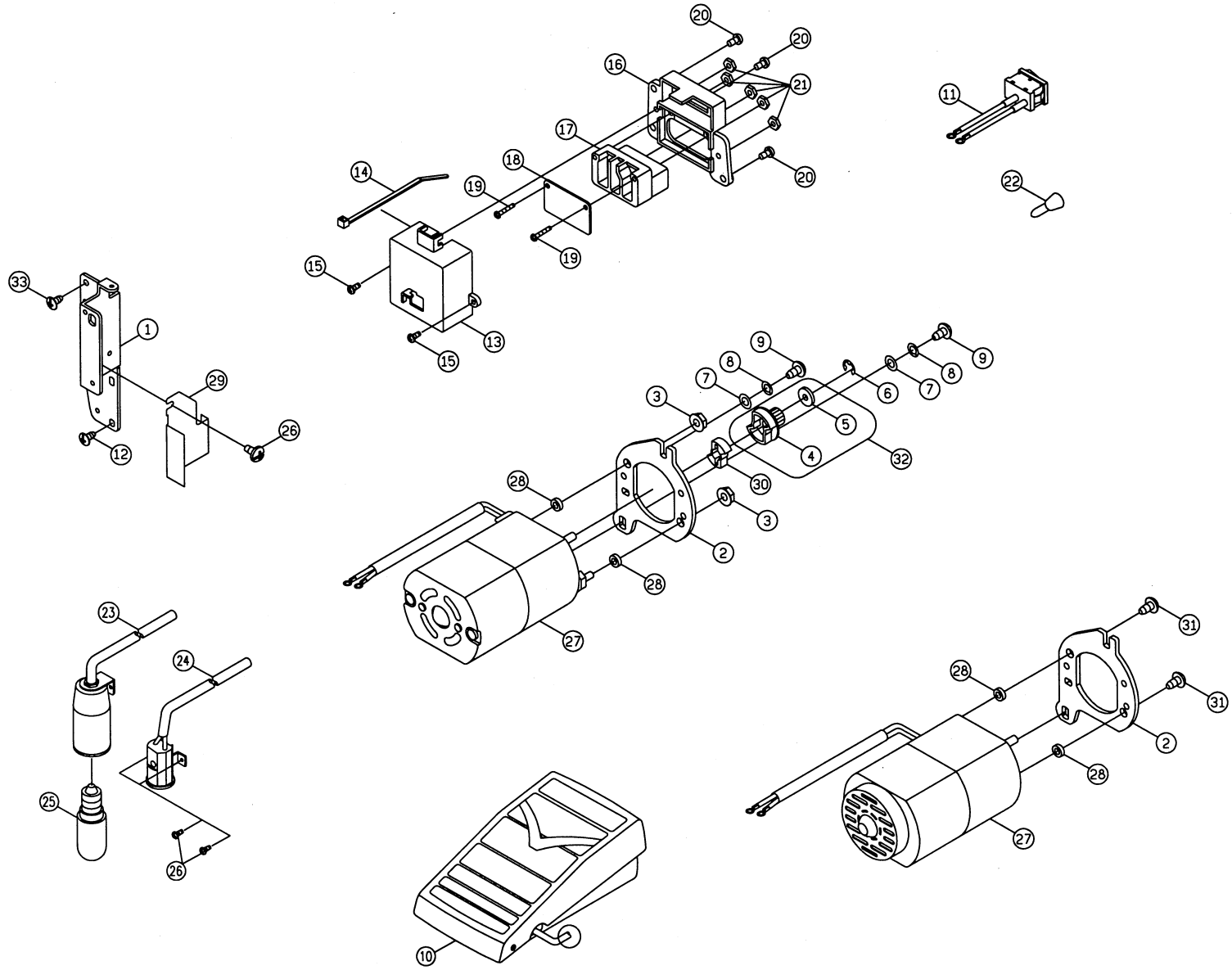


| No. | Part No. | Description | 中文名稱 |
|-----|------------|--------------------------------------|-----------------|
| 1 | EAA0014000 | Pattern cam contact complete (3722A) | 機構台組(3722A) |
| 1 | ECA0014000 | Pattern cam contact complete (3709A) | 機構台組(3709A) |
| 2 | E1A0673003 | Pattern cam contact plate (back) | 機構台後 |
| 3 | E1A0653003 | Pattern cam contact plate (front) | 機構台前 |
| 4 | H11935000 | Pattern cam shaft collar complete | 模樣凸輪軸止環組 |
| 5 | E1A0683003 | Pattern cam shaft | 模樣凸輪軸 |
| 6 | 003010063 | E-Ring (ETW-6) | E 型止輪 (ETW-6) |
| 7 | EAA0053000 | Pattern cam | 模樣凸輪 |
| 8 | EAA0043000 | SS cam | SS 凸輪 |
| 9 | 004300863 | Washer (8.2×14×0.5) | 墊圈(8.2×14×0.5) |
| 10 | E1A0693000 | Feed regulator cam (3709A) | 縫目凸輪(3709A) |
| 10 | EAA0033000 | Feed regulator cam (3722A) | 縫目凸輪(3722A) |
| 11 | 004230286 | Set screw (M3×8 B) | 螺絲(M3×8 B 小頭) |
| 12 | E1A1003003 | Pattern cam contact supporter shaft | 機構台支持軸 |
| 13 | EAA0183003 | Pattern selector cam shaft | 選擇凸輪軸 |
| 14 | ECA0023000 | Pattern selector cam (3709A) | 選擇凸輪(3709A) |
| 14 | EAA0143000 | Pattern selector cam (3722A) | 選擇凸輪(3722A) |
| 15 | 004240423 | Set screw (M4) | 螺絲(M4 特殊) |
| 16 | E1A1033003 | Pattern selector adjusting lever | 微調作動桿 |
| 17 | 004240046 | Set screw (M4×10B) | 螺絲(M4×10 B 小頭) |
| 18 | 004240106 | Set screw (M4×8 A) | 螺絲(M4×8 A 大頭) |
| 19 | E1A1053000 | Zig zag cam | ZZ 開放凸輪 |
| 20 | E1A1043000 | Pattern selector cam shaft | 開放凸輪軸 |
| 21 | E1A1073006 | Zig zag movement contact | 移動接觸子 |
| 22 | E1A1083003 | Movement plate | 移動導板 |
| 23 | 004230016 | Set screw (M3×6 A) | 螺絲(M3×6 A 大頭) |
| 24 | ECA0093000 | Stretch stitch release | SS 開放凸輪 |
| 25 | 004250503 | Set screw (M4×4) | 螺絲(M4×4 內六角) |
| 26 | E1A0893003 | Zig zag release plate | 闊度開放板 |
| 27 | 004840106 | Set screw (ALN-4) | 調整固定螺帽(ALN-4) |
| 28 | 004240633 | Set screw (M4×0.7 L=12) | 螺絲(M4×0.7 L=12) |
| 29 | E1A0843000 | Zig zag cam contact supporter shaft | 闊度接觸子支持台軸 |
| 30 | 003010056 | E-Ring (ETW-5) | E 型止輪(ETW-5) |
| 31 | E1A0853003 | Zig zag cam contact supporter | 闊度接觸子支持台 |
| 32 | EAA0103003 | BH Feed crank (3722A) | BH 傳送腕(3722A) |
| 32 | E4A0033003 | BH Feed crank (3709A) | BH 傳送腕(3709A) |

| No. | Part No. | Description | 中文名稱 |
|-----|------------|----------------------------------|------------------|
| 33 | E1A0873003 | Zig zag cam contact (3709A) | 闊度接觸子(3709A) |
| 33 | EAA0063003 | Zig zag cam contact (3722A) | 闊度接觸子(3722A) |
| 34 | E1A0973003 | BH Feed crank spring | BH 傳送腕彈簧 |
| 35 | EAA0093003 | BH adjusting crank | BH 調節腕 |
| 36 | E1A0913003 | SS cam contact supporter (3709A) | SS 接觸子支持台(3709A) |
| 36 | EAA0073003 | SS cam contact supporter (3722A) | SS 接觸子支持台(3722A) |
| 37 | EAA0083003 | SS cam contact (3722A) | SS 接觸子(3722A) |
| 37 | E1A0923003 | SS cam contact (3709A) | SS 接觸子(3709A) |
| 38 | E1A0903003 | Zig zag release plate | SS 接觸子彈簧 |
| 39 | E1A0943003 | Feed rock shaft | 傳送連桿 |
| 40 | E1A0983003 | BH adjusting plate | 微調滑板 |
| 41 | E1A0993003 | Stretch stitch release plate | SS 開放板 |
| 42 | E1A1253003 | Selector dial plate | 選擇轉鈕台板 |
| 43 | 004240056 | Set screw (M4×6 B) | 螺絲(M4×6 B 小頭) |
| 44 | E1A1243006 | Selector dial shaft | 選擇轉鈕軸 |
| 45 | 003042512 | Sprung pin (φ2.5×12) | 彈簧銷(φ2.5×12) |
| 46 | F4A3113000 | Selector gear | 選擇齒輪 |
| 47 | 004300676 | Washer (3.2×8×0.8) | 墊圈(3.2×8×0.8) |
| 48 | E1A1143003 | Zig zag width crank | 闊度腕 |
| 49 | E1A1353003 | Zig zag width crank rod | 闊度腕連桿 |
| 50 | 003010036 | E-Ring (ETW-3) | E 型止輪(ETW-3) |
| 51 | E1A1153003 | Zig zag width selector plate | 闊度選擇板 |
| 52 | 004230613 | Set screw (M3) | 闊度腕段螺絲(M3) |
| 53 | E1A1113000 | Adjusting shaft | 調整偏心軸 |
| 54 | 003010043 | E-Ring (ETW-4) | E 型止輪(ETW-4) |
| 55 | E1A1183003 | Pattern gear plate | 模樣齒輪台板 |
| 56 | E1A1203000 | Pattern gear | 模樣齒輪 |
| 57 | 003020043 | CS ring | CS 扣環(CSTW-4) |
| 58 | E1A1213006 | Pattern selector plate | 模樣板押板 |
| 59 | 004220106 | Set screw (M2×0.2 L=10) | 螺絲(M2×0.2 L=10) |
| 60 | ECA0033000 | Zig zag selector cam (3709A) | 闊度選擇凸輪(3709A) |
| 60 | E1A1173000 | Zig zag selector cam (3722A) | 闊度選擇凸輪(3722A) |
| 61 | 004240046 | Set screw (M4×10 B) | 螺絲(M4×10 B 小頭) |
| 62 | E1A1123003 | BH adjusting hook holder | 微調支持板 |
| 63 | E1A1133003 | BH adjusting rod | 微調連桿 |
| 64 | M70093000 | Auto threaded lever spring | 自動穿線器桿彈簧 |

| No. | Part No. | Description | 中文名稱 |
|-----|------------|-------------------------------------|----------------|
| 65 | H70553003 | Spring | 傳送齒台彈簧 |
| 66 | 004300833 | Washer (6.6×14×0.5) | 墊圈(6.6×14×0.5) |
| 67 | E 1 A ~ | Pattern selector plate | 模樣表示板 |
| 68 | EAA0023000 | Stretch stitch selector cam (3722A) | SS 選擇凸輪(3722A) |
| 69 | M70093000 | Auto threaded lever spring | 自動穿線器桿彈簧 |
| 70 | 004241093 | Set screw (M4×9) 3722A | 螺絲(M4×9)3722A |
| 70 | 004240633 | Set screw (M4×12) 3709A | 螺絲(M4×12)3709A |
| 71 | E1A1223003 | Feed regulating crank spring | 傳送調節器彈簧 |
| 72 | EAA0153002 | BH selector cam | BH 選擇凸輪 |
| 73 | 004241093 | Set screw (M4×9) | 螺絲(M4×9) |
| 74 | E4C0053006 | Washer | 模樣飾板墊圈 |
| 75 | 004300333 | Washer (6.7×12×0.5) | 墊圈(6.7×12×0.5) |
| 76 | 004300443 | Washer (6.7×14×0.2) | 墊圈(6.7×14×0.2) |

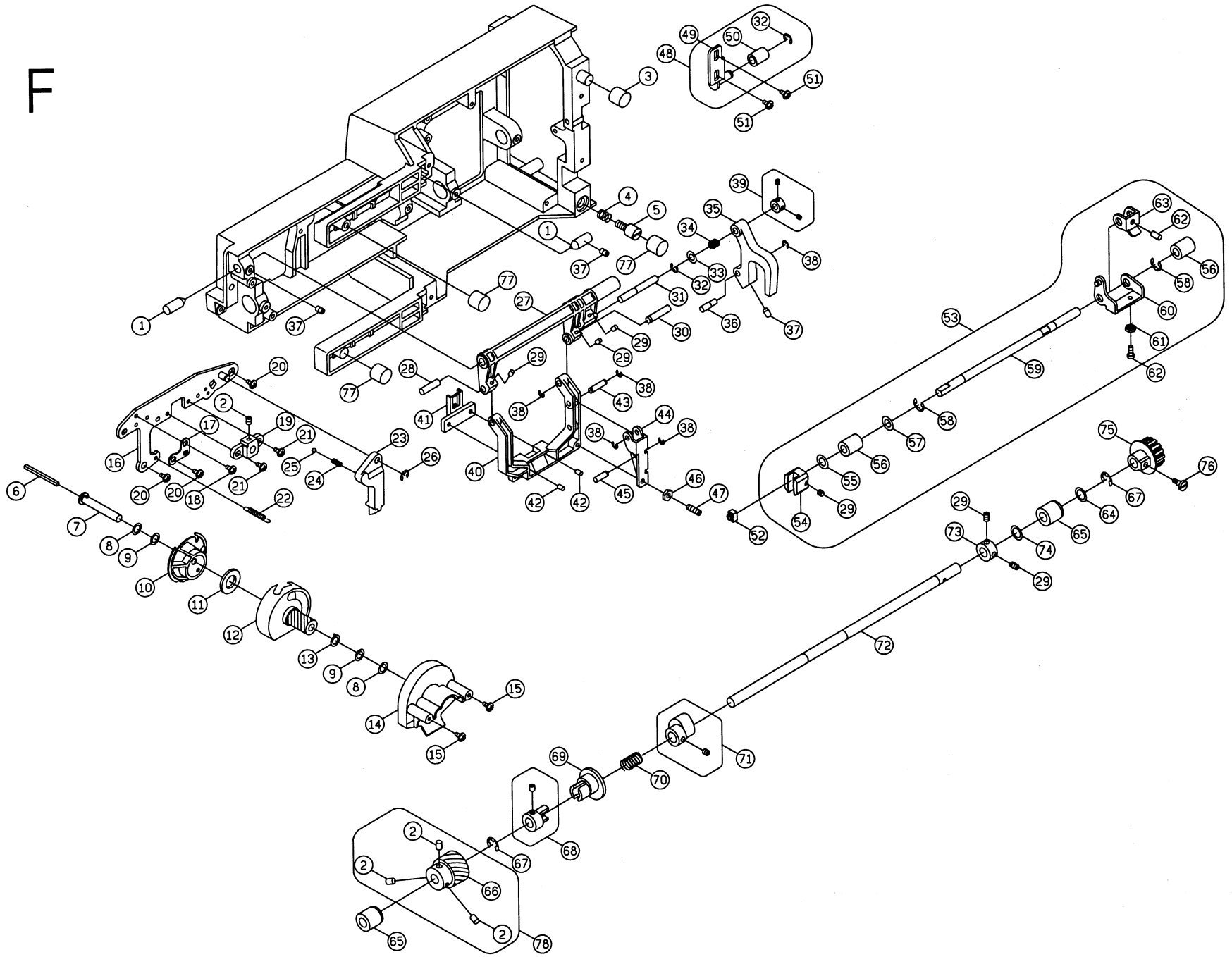
E



| No. | Part No. | Description | 中文名稱 |
|-----|------------|------------------------------------------|-------------------|
| 1 | EAA0213006 | BH lever plate | 燈座固定板 |
| 2 | 002503125 | Motor bracket | 馬達固定板 |
| 3 | 004840051 | Nut | 馬達固定螺母 |
| 4 | 002396029* | Belt wheel | 正時皮帶輪 |
| 5 | 002145029 | Motor feed regulator collar | 馬達傳送齒輪環片 |
| 6 | 003010036 | E-Ring (ETW-3) | E型止輪(ETW-3) |
| 7 | 004300306 | Washer (5.4×10×0.9) | 墊圈(5.4×10×0.9) |
| 8 | 004600296 | Spring washer (5.2×9×1) | 彈簧墊圈(5.2×9×1) |
| 9 | 004250086 | Set screw (M5×12) | 螺絲(M5×12) |
| 10 | 001314109 | Foot controller (4C-326G202ZH) E.U.R | 腳控制器(歐向 230V) |
| 10 | 0014222409 | Foot controller (4c-326C203ZH) S.A.A. | 腳控制器(澳洲 240V) |
| 10 | 001445309 | Foot controller (4C-326C205ZH) U.K. | 腳控制器(英國 240V) |
| 10 | 001251409 | Foot controller (4C-316B202ZH) U.S.A. | 腳控制器(美國 120V) |
| 11 | 002425118 | Switch ass'y | 開關組 |
| 12 | 004240056 | Set screw (M4×6 B) | 螺絲(M4×6 B小頭) |
| 13 | EIA1973210 | Receptacle holder cover | 插座支架蓋(歐洲向) |
| 14 | 002027129 | Cord clip | 鎖式紮帶 |
| 15 | 004230286 | Set screw (M3×8) | 螺絲(M3×8 B小頭) |
| 16 | 002252129 | Receptacle holder | 插座支架(TZ) |
| 17 | 002253129 | Receptacle (3SRF-2) | 插座(3SRF-2) |
| 18 | 002254129 | Consent insulation plate | 絕緣板 |
| 19 | 004230045 | Set screw (M3×20 B) | 螺絲(M3×20 B小頭) |
| 20 | 004240066 | Set screw (M4×8 B) | 螺絲(M4×8 B小頭) |
| 21 | 004830015 | Nut (M3 t=2.3) | 螺帽(M3 t=2.3) |
| 22 | AA0463000 | Quick connect | 絕緣接頭 |
| 23 | 002515118 | Lamp holder complete (only for 220-240V) | 電線組(歐洲向) |
| 24 | 002511418 | Lamp holder complete (only for 120V) | 電線組(美加向) |
| 25 | 005120021 | Lamp (120V 10W E-12) | 燈泡(120V 10W E-12) |
| 25 | 005240011 | Lamp (240V 15W E-14) | 燈泡(240V 15W E-14) |
| 26 | 004230055 | Set screw (M3×5 B) | 螺絲(M3×5 B小頭) |
| 27 | 001460709 | Motor complete (for 240V) 4M-607K100ZH | 馬達(240V) |
| 27 | 001119709 | Motor complete (for 230V) 4M-727G100ZH | 馬達(230V) |
| 27 | 001459409 | Motor complete (for 120V) 3M-782JS404ZH | 馬達(120V) |
| 28 | 004300966 | Washer (4.2×8×2.5) | 墊圈(4.2×8×2.5) |
| 29 | EIA2373000 | Shield | 隔光板 |

| No. | Part No. | Description | 中文名稱 |
|-----|-----------|---------------------|------------------|
| 30 | 008059302 | Cushion rubber | 馬達傳動齒輪墊 |
| 31 | 004240385 | Set screw (M4×10.2) | 馬達固定用螺絲(M4×10.2) |
| 32 | 002396028 | Belt wheel complete | 正時皮帶輪組 |
| 33 | 004240106 | Set screw (M4×8 A) | 螺絲(M4×8 A大頭) |

F

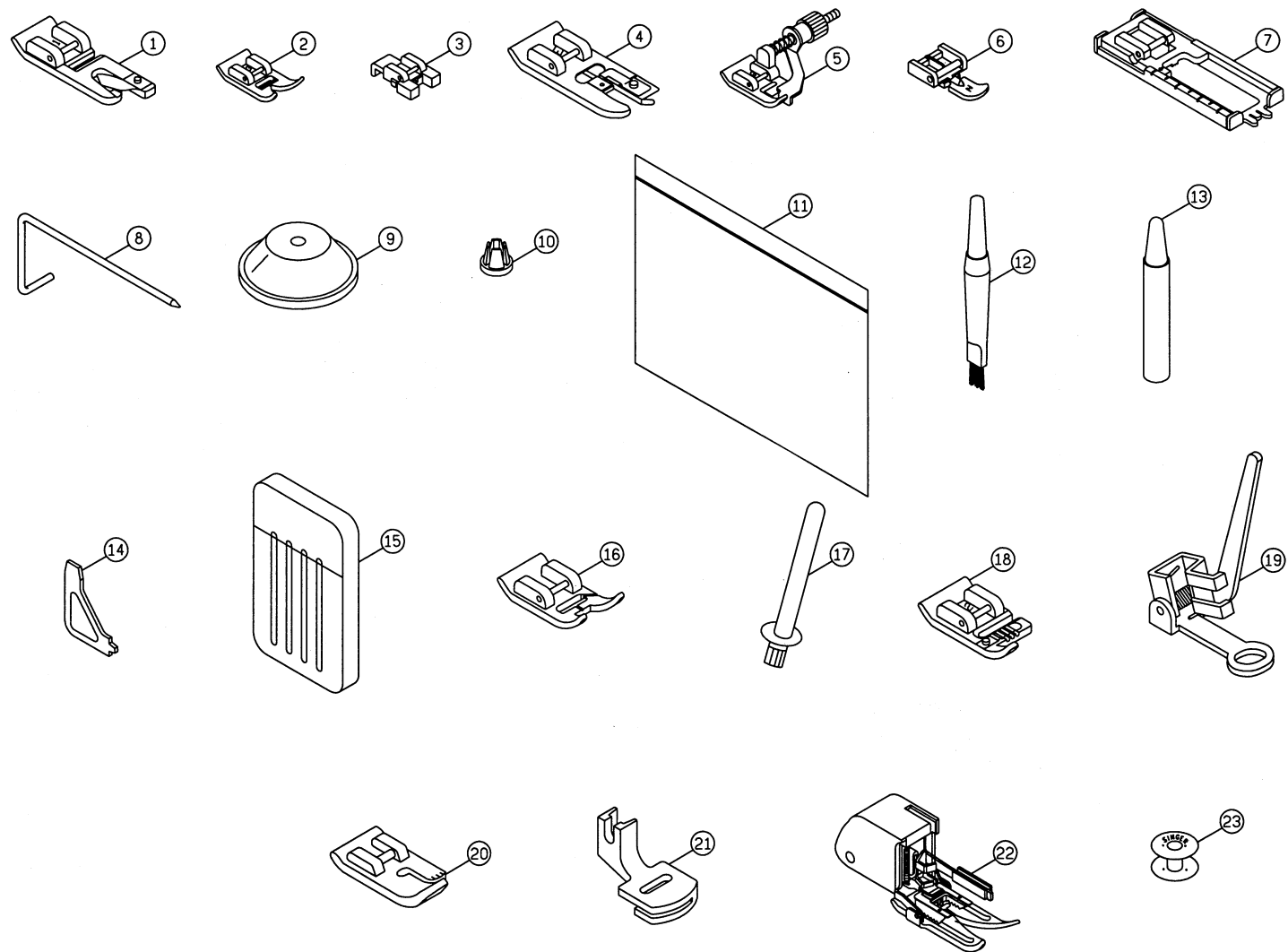


| No. | Part No. | Description | 中文名稱 |
|-----|------------|-------------------------------------|-------------------|
| 1 | E1A0463003 | Feed crank shaft | 錐型銷 |
| 2 | 004240033 | Set screw (M4×5) | 螺絲(M4×5 內六角) |
| 3 | H70043000 | Free arm vase cushion rubber | 底盤蓋橡膠墊 |
| 4 | E1A2573003 | Base plate adjustment screw spring | 調節腳彈簧 |
| 5 | K82133003 | Base plate adjustment screw | 補助調節足 |
| 6 | NB0693000 | Bobbin shaft oil cloth | 梭軸油棉 |
| 7 | E1A2033000 | Bobbin shaft | 梭軸 |
| 8 | NB0673000 | Bobbin shaft washer (2) | 梭軸墊圈(2) |
| 9 | 004400840 | Washer (6.2×9.6×0.5) | 耐磨墊圈(6.2×9.6×0.5) |
| 10 | NB1275000 | Shuttle hook complete | 中筈組 |
| 11 | NB0643000 | Magnet | 中筈吸引磁鐵 |
| 12 | NB1265000 | Shuttle hook holder complete | 外筈組 |
| 13 | NB0683000 | Bobbin shaft washer (3) | 梭軸墊圈(3) |
| 14 | E1A0563000 | Needle plate cover | 梭保護蓋 |
| 15 | 004230066 | Set screw (M3×12) | 螺絲(M3×12 自攻尖尾) |
| 16 | E1A0523000 | Rotary hook holder | 梭支持板 |
| 17 | E1A0553000 | Rotary hook holder positioned plate | 梭支持板定位板 |
| 18 | 004240056 | Set screw (M4×6 B) | 螺絲(M4×6 B 小頭) |
| 19 | E1A0543000 | Rotary hook supporter | 梭支持台 |
| 20 | 004240585 | Set screw (M4×8) | 螺絲(M4×8) |
| 21 | 004240106 | Set screw (M4×8 A) | 螺絲(M4×8 A 大頭) |
| 22 | E1A2343003 | Feed dog frame spring | 傳送齒台彈簧 |
| 23 | E1A0573210 | Feed lifting shaft | 上下傳送連桿 |
| 24 | E1A1873003 | Feed lifting shaft spring | 上下傳送連桿彈簧 |
| 25 | H12883000 | Steel ball | 鋼球 |
| 26 | 003010046 | E-Ring (ETW-4) | E 型止輪(ETW-4) |
| 27 | E1A0373000 | Feed rock shaft | 水平傳送軸 |
| 28 | E1A0403003 | Feed rock frame shaft (2) | 水平傳送土台軸(2) |
| 29 | 004240503 | Set screw (M4×4) | 螺絲(M4×4 內六角) |
| 30 | E1A0423003 | Feed rock frame shaft | 水平傳送土台軸(1) |
| 31 | E1A0383003 | Feed rock bushing pin | 水平傳送軸台銷(1) |
| 32 | 003010043 | E-Ring (ETW-4) | E 型止環(ETW-4) |
| 33 | 004300643 | Washer (5.2×10×0.5) | 墊圈(5.2×10×0.5) |
| 34 | E1A2023003 | Feed shaft spring | 水平傳送軸台彈簧 |
| 35 | E1A2083210 | Feed rock crank | 水平傳送腕 |
| 36 | F30323003 | Feed rock crank pin | 水平傳送腕銷 |

| No. | Part No. | Description | 中文名稱 |
|-----|------------|--------------------------------|------------------|
| 37 | 004240223 | Set screw (M4×6) | 螺絲(M4×6 內六角) |
| 38 | 003010036 | E-Ring (ETW-3) | E 型止輪(ETW-3) |
| 39 | F30284000 | Feed rock shaft collar | 水平傳送軸台止環組 |
| 40 | E1A0413000 | Feed rock frame | 水平傳送土台 |
| 41 | E3A0033001 | Feed dog | 送布齒 |
| 42 | 004104012 | Set screw (1/8×44×5) | 螺絲(1/8×44×5) |
| 43 | E1A0443003 | Feed rock crank pin | 上下傳送腕銷(1) |
| 44 | E1A0433003 | Feed rock crank | 水平傳送腕 |
| 45 | E1A0453003 | Feed lifting rock crank | 上下傳送腕銷(2) |
| 46 | 004840106 | Adjusting Nut | 調整固定螺帽(ALN-4) |
| 47 | 004240633 | Feed back crank screw | 後退傳送腕調整螺絲 |
| 48 | E1A0345000 | Belt adjusting plate complete | 皮帶調節板組 |
| 49 | E1A0353000 | Belt adjusting plate | 皮帶調節板 |
| 50 | H12323000 | Belt adjusting plate pulley | 皮帶調節板滾輪 |
| 51 | 004240106 | Set screw (M4×8 A) | 螺絲(M4×8 A 大頭) |
| 52 | F30333000 | Feed regulating block | 傳送調節器滑塊 |
| 53 | E1A0474000 | Feed regulating plate complete | 傳送調整器組 |
| 54 | F30353000 | Feed regulating | 傳送調節器 |
| 55 | 004400570 | Washer (6.7×11.8×0.5) | 墊圈(6.7×11.8×0.5) |
| 56 | R11443000 | Feed rock bushing | 傳送調節軸承 |
| 57 | 004300123 | Washer (6.7×12×1) | 墊圈(6.7×12×1) |
| 58 | 003011052 | E-Ring (ETW-5) | E 型止輪(ETW-5) |
| 59 | E1A0483003 | Feed regulating shaft | 傳送調整器軸 |
| 60 | E1A0503003 | Feed regulating crank | 傳送調節腕 |
| 61 | 004840106 | Adjusting nut (ALN-4) | 調整固定螺帽(ALN-4) |
| 62 | 004240046 | Set screw (M4×10 B) | 螺絲(M4×10 B 小頭) |
| 63 | E1A0493003 | Feed crank | 傳送腕 |
| 64 | 004300936 | Washer (8.2×12×0.5) | 墊圈(8.2×12×0.5) |
| 65 | E1A0283000 | Lower shaft bushing | 下軸軸承 |
| 66 | NB0503000 | Lower shaft gear | 下軸齒輪 |
| 67 | 003010063 | E-Ring (ETW-6) | E 型止輪(ETW-6) |
| 68 | E1A0305000 | Feed lifting rock cam complete | 上下傳送凸輪導環組 |
| 69 | E1A0290000 | Feed lifting rock cam | 上下傳送凸輪 |
| 70 | E1A0333003 | Lower shaft spring | 下軸彈簧 |
| 71 | E1A0325000 | Feed rock cam | 水平傳送凸輪組 |
| 72 | E1A0273000 | Lower shaft | 下軸 |

| No. | Part No. | Description | 中文名稱 |
|-----|------------|--------------------------------------|------------------|
| 73 | V11553003 | Lower shaft collar | 下軸止環 |
| 74 | 004400830 | Endure attrition washer (8.2×12×0.5) | 耐磨墊圈(8.2×12×0.5) |
| 75 | E1A0313000 | Lower shaft belt pulley | 下軸皮帶輪 |
| 76 | 004230673 | Set screw (M3×14) | 下軸皮帶輪螺絲 |
| 77 | NB0495000 | Lower shaft gear complete | 下軸齒輪組 |
| 78 | E1A2503000 | Free arm vase cushion rubber | 底座座橡膠墊 |

G



Page G

| No. | Part No. | Description | 中文名稱 |
|-----|------------|------------------------------|------------|
| 1 | 006900008 | Hammer foot (NO.K) | 捲布器押布腳 |
| 2 | 006180008 | Zig zag foot | 萬能押布腳 |
| 3 | 006914008 | Button foot | 鈕扣壓器組 |
| 4 | 006907008 | Overcasting foot | 布縐紋押布腳 |
| 5 | 006904008 | Blind hem foot | 縫幅限制器 |
| 6 | 006905008 | Zipper foot | 縫拉鍊押布腳(N#) |
| 7 | 006174008 | Buttonhole foot | BH押布腳組 |
| 8 | 006008001 | Quilting bar | 縫幅基準器(定規棒) |
| 9 | R12373210 | Spool set plate (big) | 線輪固定蓋(TZ) |
| 10 | TA10943209 | Spool set plate (small) | 線輪固定蓋(小) |
| 11 | 006011009 | Accessories bag | 附牛袋 |
| 12 | 006099008 | Brush & Seam ripper complete | 割布刀組 |
| 13 | 006013009 | oilier | 油瓶 |
| 14 | 006093009 | Screw drive | 附件起子(L) |
| 15 | 006175008 | Needle | 勝家針 |
| 16 | 006172008 | Satin stitch foot | 密著縫押布腳 |
| 17 | R60033210 | Second spool pin | 附件線輪桿 |
| 18 | 006813008 | Cording foot | 縫凸線押布腳(M) |
| 19 | 006016008 | Darning foot | 刺繡押布腳 |
| 20 | 006916008 | Quilting foot | 直線押布腳 |
| 21 | 006917008 | Gathering foot | 皺摺押布腳 |
| 22 | 006185008 | Walking foot | 腳踏押布腳 |
| 23 | 006066008 | Bobbin | 梭線輪 |

NOTE: When you order any spare parts from us, please cooperate with us by writing.

- (1) Section & Sequence No.
- (2) Name of parts
- (3) Voltage, if necessary
- (4) Others, if any
- (5) "*" means: These spare parts are not supplied individually, but can be obtained by minimum quantity at 300 pcs.

029190021 (1版)

