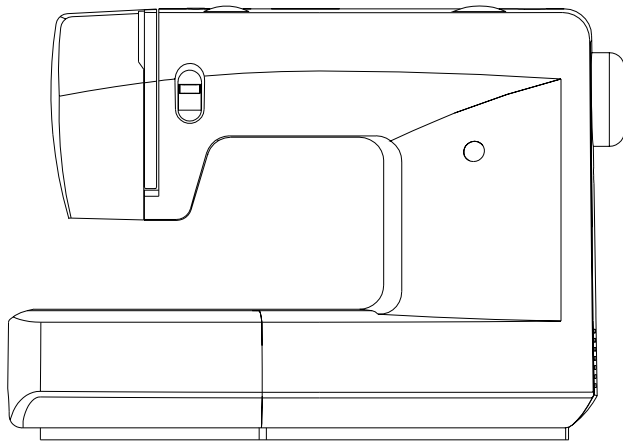
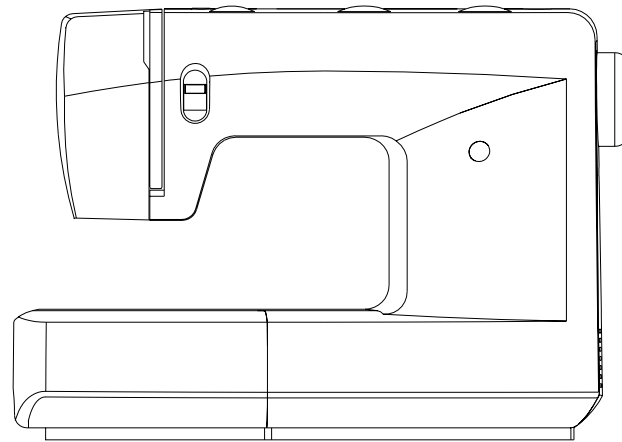


Parts List

SINGER[®]
Model 3709/3722

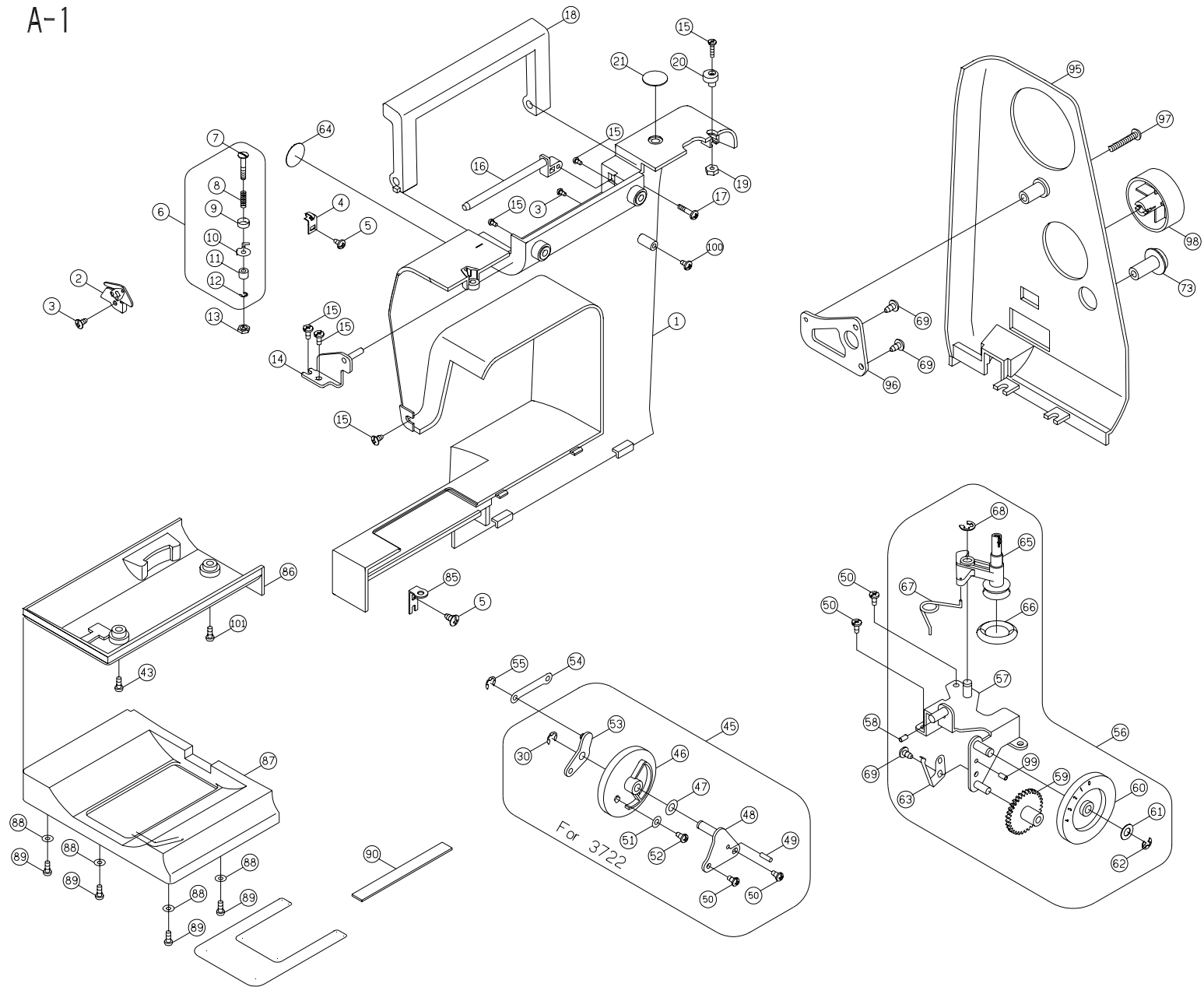


MODEL:3709

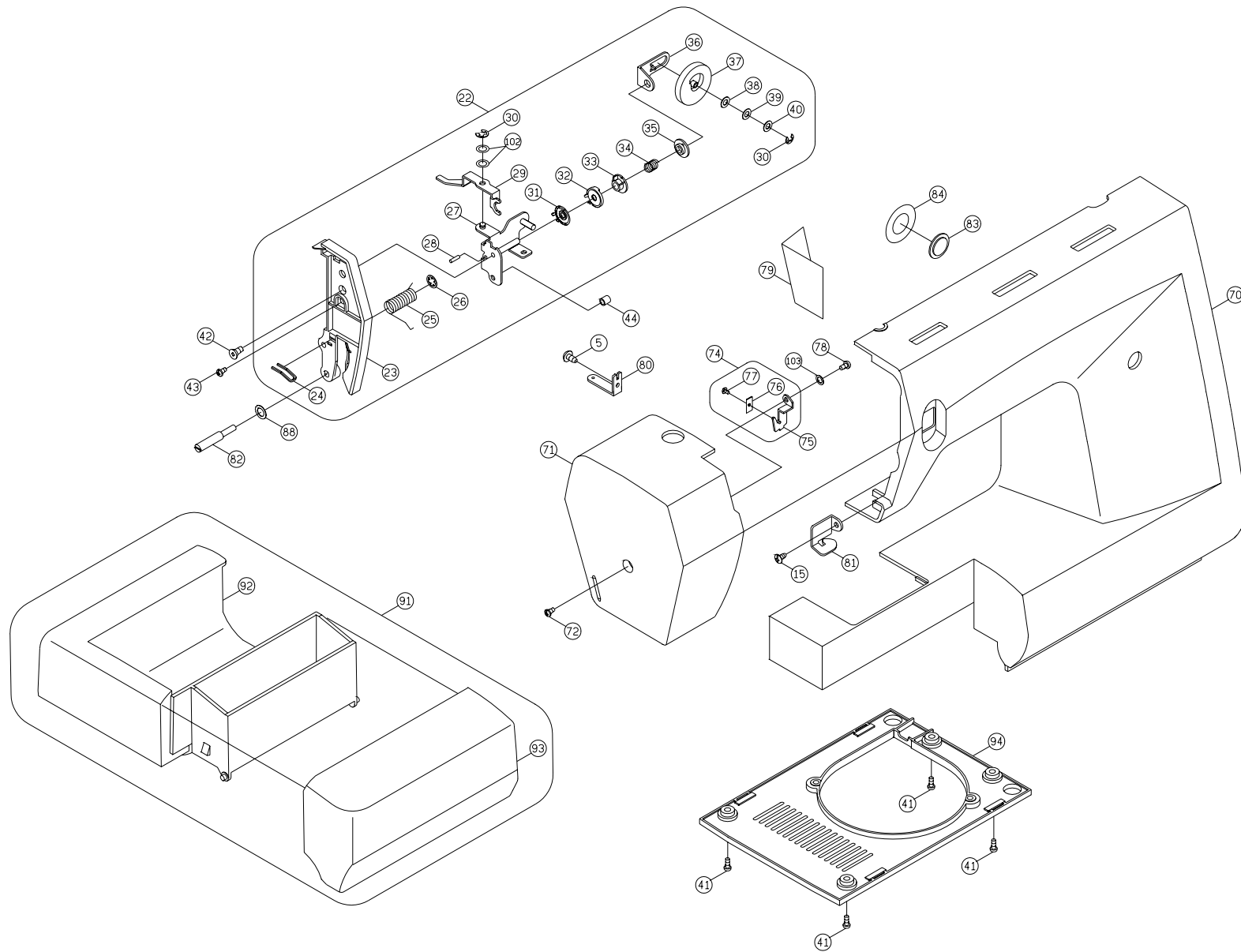


MODEL:3722

A-1



A-2

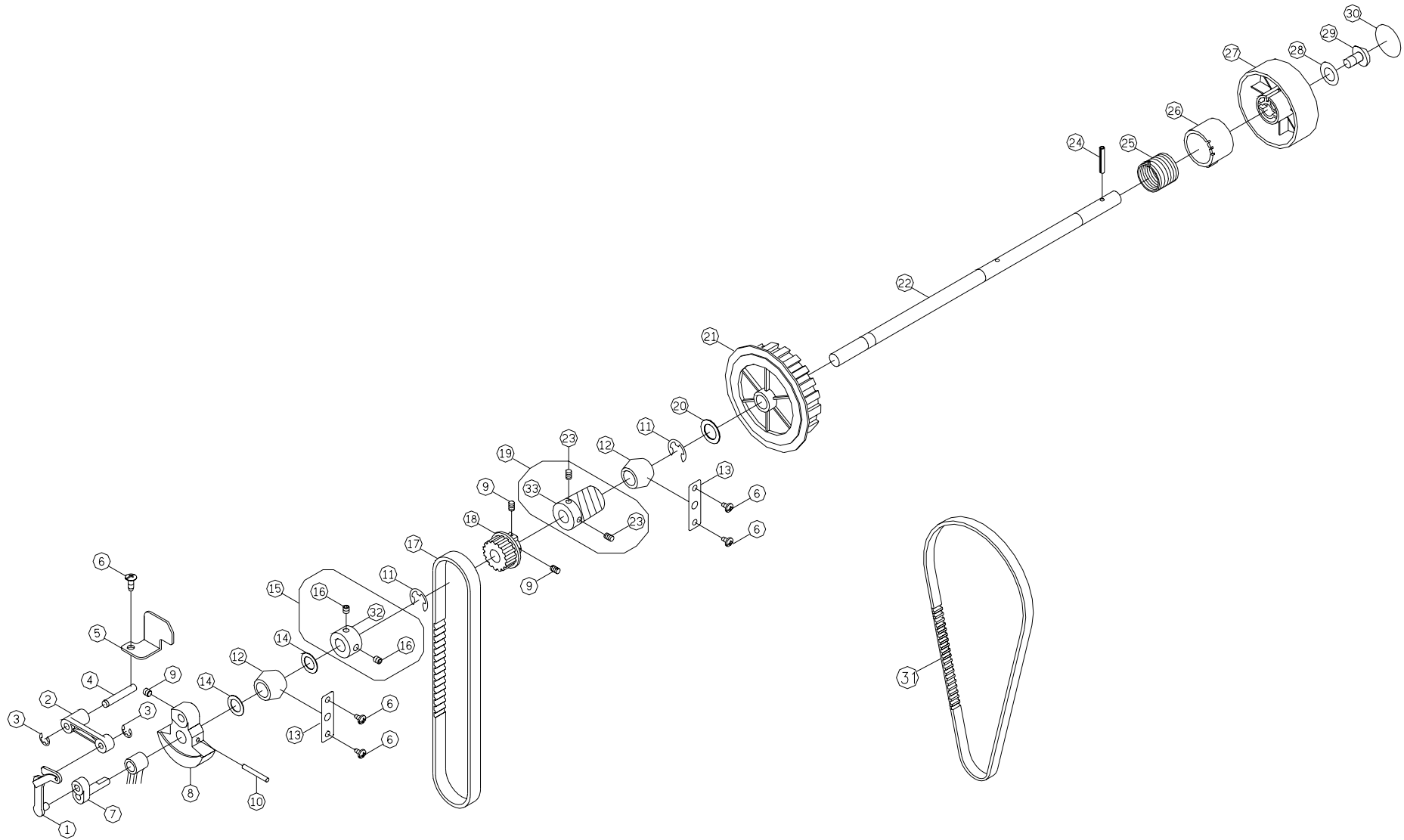


No.	Part No.	Description
1	E1B6003210	Back cover
2	V610155000	Thread guide complete
3	004230326	Set screw (M3×12)
4	E1A2043001	Thread guide
5	004230215	Set screw (M3×8.5)
6	E1A2065000	Bobbin winder thread guide complete
7	E1A2053001*	Bobbin winder thread guide adjusting screw
8	H13153001*	Bobbin winder thread guide spring
9	H13133001*	Bobbin winder spring disc
10	V610223001*	Bobbin winder thread guide
11	E1A2353006*	Spacer
12	003010036*	E-Ring (ETW-3)
13	004840106	Nut (ALN-4)
14	V61253006	Arm top cover plate
15	004240106	Set screw (M4×8 A)
16	E1A1663210	Spool rod
17	004230655	Set screw (M3×15)
18	E1A1763210	Handle
19	004706013	Nut (9/64×40 t=3)
20	E1A2393000	Bobbin winder stopper
21	V410123210	Plate
22	E4B0104210	Dial tension complete
23	E4B0033210	Dial tension supporter plate cover
24	V61873000*	Thread guide
25	E1A2073000	Thread guide spring (CSTW-4.5)
26	003020453*	Thread guide spring washer
27	E1A2183006	Dial tension supporter plate
28	003043010*	Spring pin (3×10×0.6)
29	E1A2113003*	Dial tension waft plate
30	003010043*	E-Ring (E-4)
31	E1A2333001*	Dial tension disc
32	J30423001*	Dial tension disc (1)
33	R10593000*	Dial tension spring regulator
34	K50183003*	Dial tension spring
35	K50193000*	Dial tension regulator
36	V60273006*	Dial tension spring plate

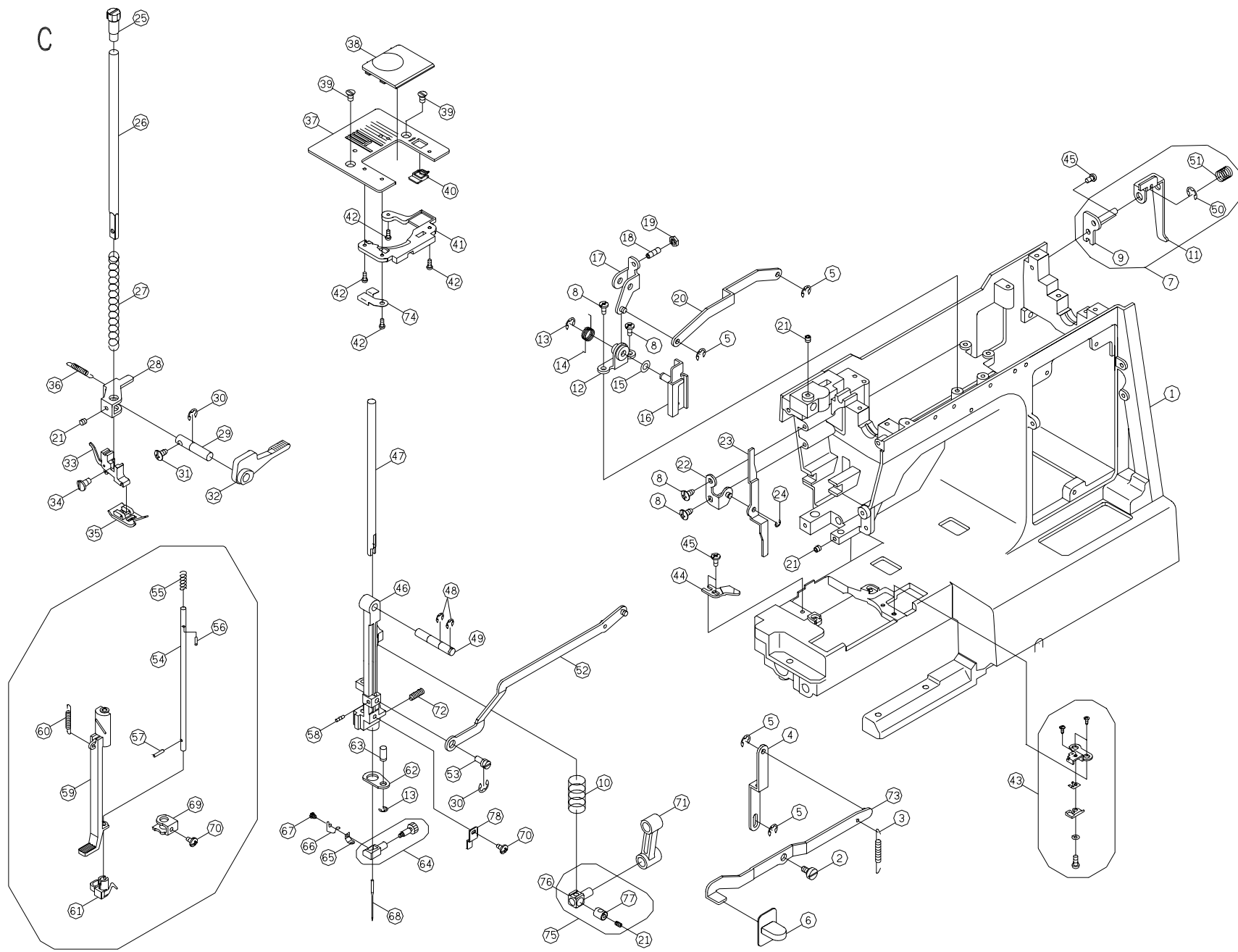
No.	Part No.	Description
37	E4A0063210	Dial tension knob
38	004300713*	Washer (5.2×10×0.2)
39	004500360*	Washer (WW-5)
40	004300643*	Washer (5.2×10×0.5)
41	004240046	Set screw (M4×10 B)
42	004240176*	Set screw (M4×6 D)
43	004240146*	Set screw (M4×15 B)
44	H11103001*	Dial tension guide spring tube
45	E4B8794210	Zig zag width dial complete
46	E4B8793210*	Zig zag width dial (3825)
47	004900063*	Washer
48	E3A0113006*	Zig zag width dial plate
49	003043010*	Spring pin(3×10)
50	004240106*	Set screw (M4×8 A)
51	004300076*	Washer (4.2×9 ×0.5)
52	004240782*	Set screw (M4×10 B)
53	E3A0143006*	Zig zag width crank
54	E3A0153003*	Zig zag width crank rod
55	003010043*	E-Ring (E-4)
56	E1B8284210	Bobbin winder frame complete
56	E4B8284210	Bobbin winder frame complete
57	E1A1785000*	Bobbin winder frame
58	003043006*	Spring pin (3×6)
59	V61183000*	Feed regulator gear
60	E4B8283210*	Feed regulator dial (3722)
60	E1B8283210*	Feed regulator dial (3709)
61	004300186*	Washer (6.2×12×0.5)
62	003010046*	E-Ring (ETW-4)
63	EAA0203003*	Feed regulator set plate
64	V61503210*	Plate (1)
65	V61165000*	Bobbin winder crank complete
66	F20213000*	Bobbin winder rubber pulley
67	V61563003*	Bobbin winder crank spring
68	003011052*	E-Ring (ETW-5)
69	004240056*	Set screw (M4×6 B)
70	ECB0023210	Front cover (3709)

No.	Part No.	Description
70	ECB0043210	Front cover (3709)
70	EAB0023210	Front cover (3722)
71	E1B0033210	Face plate (With hole of Adjusting dial)
72	004240782	Set screw (M4×12)
73	E1A1703210	Adjusting dial
74	E1A1995000	Thread cutter complete
75	E1A1993001*	Thread cutter plate
76	J31283000*	Thread cutter
77	004220012*	Set screw (M2×4)
78	004230126	Set screw (M3×8 B)
79	E1A2523000	Heat resistant plate
80	E1A1623002	Arm front cover set plate
81	E1A1883001	Arm top cover thread guide plate
82	004240982	Set screw
83	F30103000	Pattern display window
84	008465000	Sticker
85	E1A1673002	Arm back cover set plate
86	E3A0203210	Free arm base
87	E1A1753210	Free arm foot bush
88	004300136	Washer (4.2×8 ×0.8)
89	00423066	Set screw (M3×12)
90	E1A1843000	Sewing table body felt
91	E4B0044210	Sewing table complete
92	E1A1823210	Sewing table body
93	E4B0043210	Sewing table body cover
94	E1A1863210	Cord reel cover
95	E1A6013210	Motor drive belt cover
96	E1A1723003	Motor drive belt cover frame
97	004241106	Set screw (M4×25A)
98	E4A0053210	Selector dial
99	003043006	Pin (SP3×6 3820.3825)
99	003043008	Pin (SP3×8 3810)
100	004240306	Set screw (M4×10 B)
101	004240136	Set screw (M4×12 B)
102	004300873	Washer (5×8×0.5)
103	004300676	Washer (3.2×8×0.8)

B



No.	Part No.	Description
1	E1A2683001	Thread take up lever
2	E1A2653000	Thread take up lever supporter
3	003010036	E-Ring (ETW-3)
4	V60223003	Thread take up lever supporter shaft
5	E1A2313003	Set washer
6	004240106	Set screw (M4×8 A)
7	E1A2663000*	Arm shaft balance pin
8	E1A2213000	Arm shaft balance
9	004240223	Set screw (M4×6)
10	003043524	Arm shaft balance pin (3.5×24)
11	003010093	E-Ring (ETW-9)
12	R10293000	Arm shaft bushing
13	E1A2623003	Arm shaft bushing holder plate
14	004400080	Endure attrition washer (10.2×16×0.5)
15	R10304000	Arm shaft collar complete
16	004250203	Set screw (M5×5)
17	E1A0083000	Motor drive belt
18	F4A0033000	Arm shaft sprocket
19	E1A0065000	Arm shaft worm complete
20	004300853	Washer (10.2×15×0.5)
21	E4A0143210	Arm shaft drive belt pulley
22	E1A0044000	Arm shaft
23	004107283	Set screw (11/64×40×5)
24	003043018	Spring pin (3×18)
25	R10393000	Arm shaft clutch annulus spring
26	R10403000	Arm shaft collar
27	E1A0073210	Hand wheel
28	004300586	Hand wheel washer (5.2×16×1.0)
29	004250346	Set screw (M5×10)
30	V16893210	Hand wheel decorated plate
31	007163471	Motor drive belt (163XXL6.1)
32	R10313000	Arm shaft collar
33	E1A0063000	Arm shaft worm

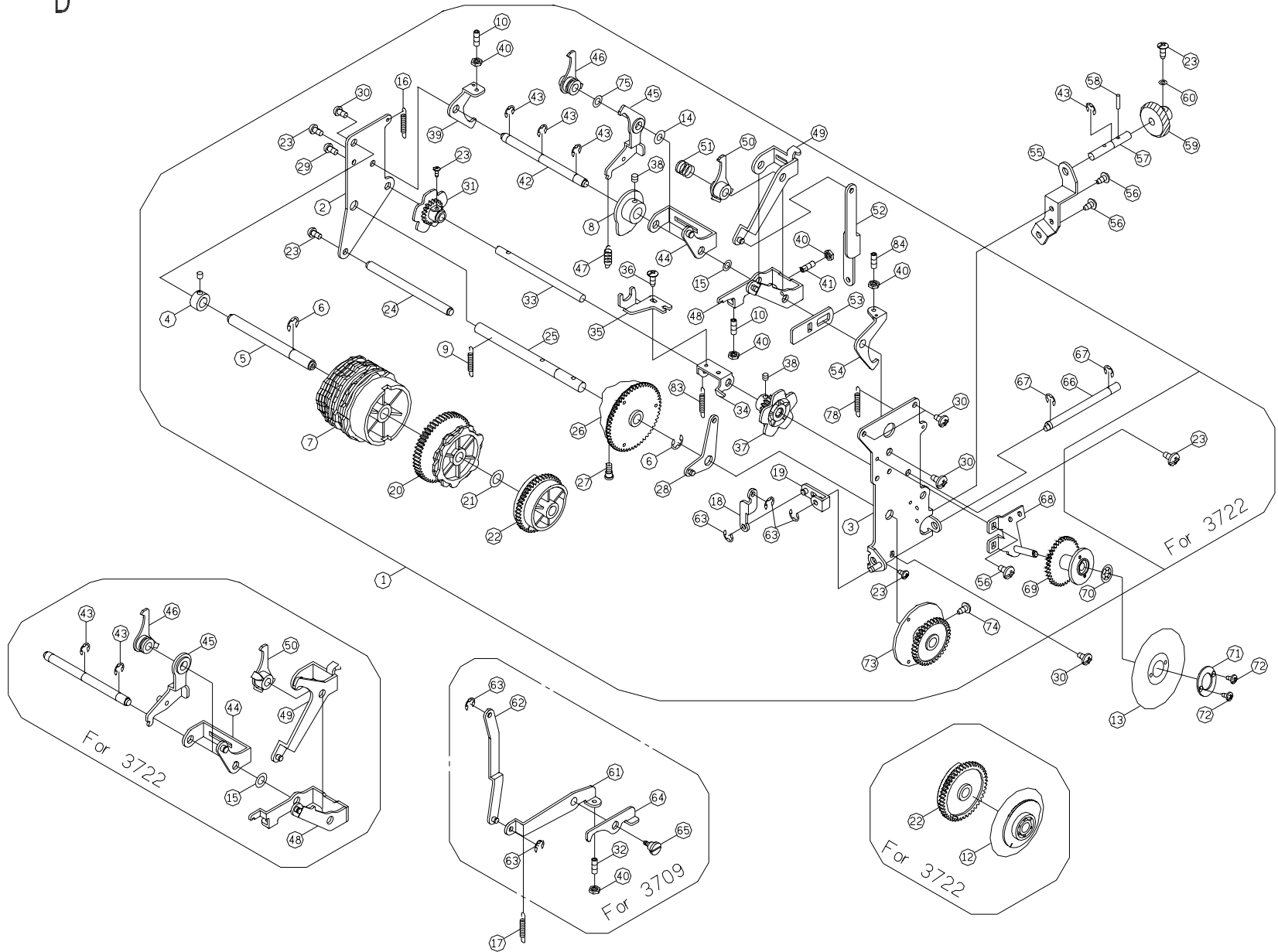


No.	Part No.	Description
1	E1A0013000	Arm
2	004240883	Reverse lever set screw
3	M70093000	Reverse lever spring
4	E1A1553003	Reverse rod
5	003010036	E-Ring (ETW-3)
6	TA10723210	Reverse button
7	V61205003	Clutch rod complete
8	004240056	Set screw (M4×6 B)
9	V61213003	Clutch rod plate
10	H10723003*	Tension lever lifter spring
11	V61233003	Clutch rod
12	E1A1283003	Zig zag width regulating cam plate
13	003010043	E-Ring (ETW-4)
14	E1A1333003	Zig zag width spring
15	004300713	Washer (5.2×10×0.2)
16	E1A1303002	Zig zag width regulating cam
17	E1A1323003	Zig zag regulator crank
18	004240633	Set screw (M4×12)
19	004840106	Set Nut
20	E1A1343003	Rod
21	004240503	Set screw (M4×4)
22	E1A0243003	Movement plate supporter (1)
23	E1A0253000	Movement plate supporter
24	003010032	E-Ring (ETW-3)
25	V620163210	Presser bar regulating screw
26	E1A0143000	Presser bar
27	E1A2493003	Presser bar spring
28	E1A0163003	Presser bar bracket complete
29	E1A2093003	Presser bar lifter lever shaft
30	003010053	E-Ring (ETW-5)
31	004240353	Presser bar lifter lever shaft set screw
32	E1A0173000	Presser bar lifter lever
33	006910008	Shank complete
34	004106211	Shank complete set screw
35	006918008	Zip zap presser foot complete
36	E1A2323003	Presser bar bracket spring

No.	Part No.	Description
37	E3A0253004	Needle plate
38	NB1293000	Needle plate cover
39	004240851	Set screw (M4×6)
40	NB0233000	Needle plate cover open
41	E1A2593000	Needle plate cover
42	004103072	Set screw (SM3/32×56 L=3)
43	E1A0584000	Rotary hook plate complete
44	E1A0593002	Rotary hook plate (1)
45	004240056	Set screw (M4×6)
46	E1A0103000	Needle bar supporter
47	NB0533000	Needle bar
48	003080052	E-Ring (ETW-5)
49	E1A1893000	Needle bar supporter pin
50	003010046	E-Ring (ETW-4)
51	V61243003*	Clutch rod spring
52	E1A0183003	Needle bar driving rod (3810)
52	E3A0013003	Needle bar driving rod (3820.3825)
53	E1A2433000	Needle bar driving rod pin
54	E1A0113000	Auto threaded shaft
55	M70053003	Auto threaded shaft spring
56	003042014	Auto threaded shaft pin
57	003042006*	Auto threaded shaft pin
58	004106233	Set screw (9/64×40×5)
59	E1A0123000	Auto threaded lever
60	M70093000	Auto threaded lever spring
61	E1A2125000	Auto threaded
62	E1A0193003	Needle bar supporter plate
63	E1A0203003	Needle bar supporter plate pin
64	H10205000	Needle clamp complete
65	R12573000	Needle guide plate
37	E3A0253004	Needle plate
38	NB1293000	Needle plate cover
39	004240851	Set screw (M4×6)
66	H10223000	Needle bar thread guide
67	004103011	Set screw
68	006176008	Needle

No.	Part No.	Description
69	M70073002	Auto threaded stopper
70	004230016	Set screw (M3×6 A)
71	V60193000	Needle bar crank rod complete
72	H50583003	Needle bar supporter spring
73	E1A1543006	Reverse lever
74	E1A2603000	Needle plate spring
75	H10195000	Needle bar bracket complete

D

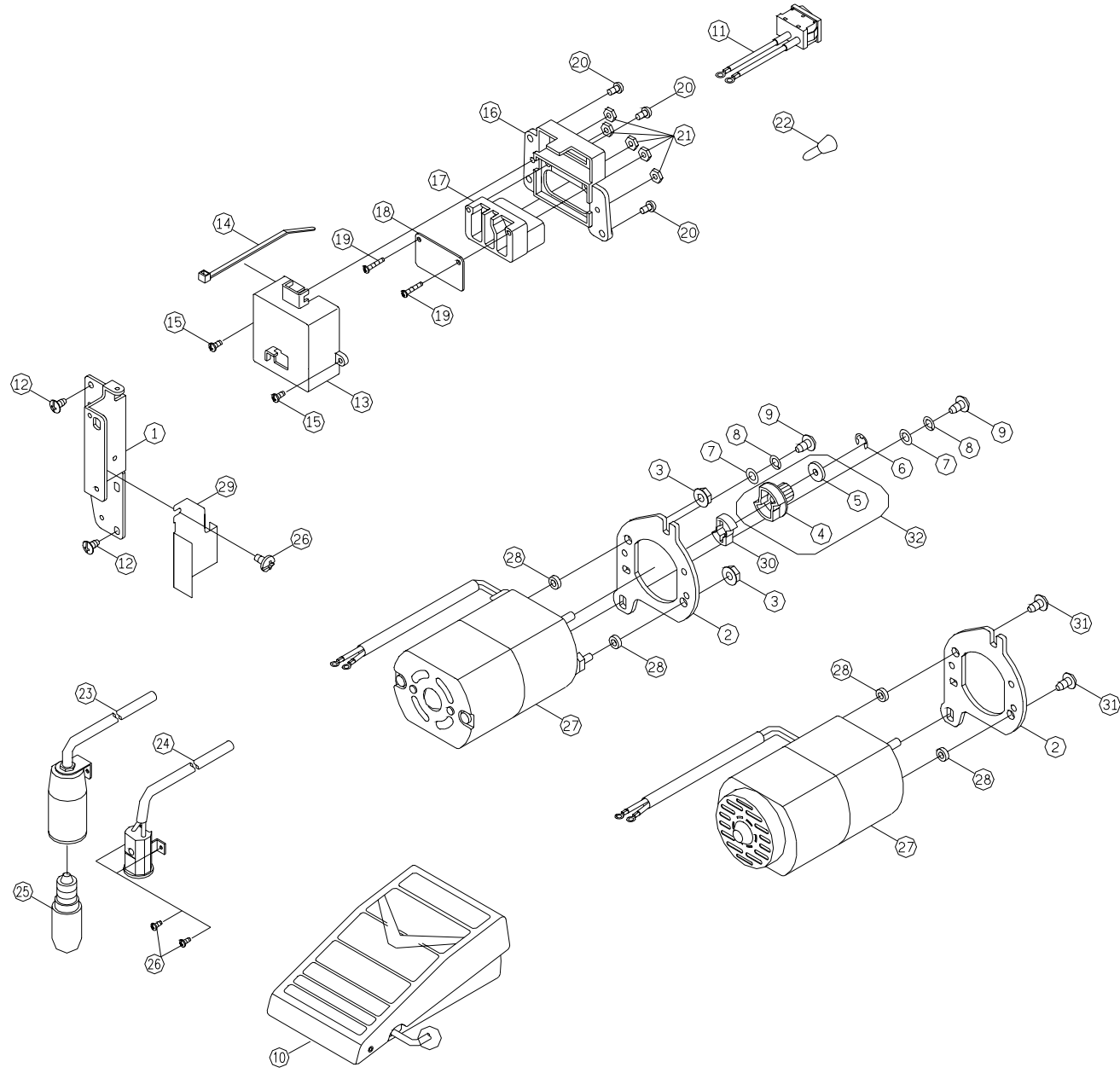


No.	Part No.	Description
1	EAB0014000	Pattern cam contact complete (3722)
1	ECB0014000	Pattern cam contact complete (3709)
2	E1A0673003	Pattern cam contact plate (back)
3	E1A0653003	Pattern cam contact plate (front)
4	H11935000	Pattern cam shaft collar complete
5	E1A0683003	Pattern cam shaft
6	003010063	E-Ring (ETW-6)
7	EAA0053000	Pattern cam
8	EAA0153003	BH selector cam
9	E1A1223003	Feed regulating crank spring
10	004241093	Set screw (M4×9) (3722)
10	004240633	Set screw (M4×12)(3709)
11	M70093000	Auto threaded lever spring
12	EAA0023000	Stretch stitch selector cam (3722)
13	ECB0033210	Pattern selector plate (3709)
13	ECB8293210	Pattern selector plate (3709)
13	EAB8293210	Pattern selector plate (3722)
14	004300443	Washer (6.7×14×0.2)
15	004300833	Washer (6.6×14×0.25) (3722)
16	H70553003	Spring
17	M70093000	Auto threaded lever spring (3709)
18	E1A1133003	Zig zag width spring
19	E1A1123003	Rod
20	EAA0043000	SS cam
21	004300863	Washer (8.2×14×0.5)
22	E1A0693000	Feed regulator cam (3709)
22	EAA0033000	Feed regulator cam (3722)
23	004230286	Set screw (M3×8 B)
24	E1A1003003	Pattern cam contact supporter shaft
25	EAA0183003	Pattern selector cam shaft
26	ECA0023000	Pattern selector cam (3709)
26	EAA0143000	Pattern selector cam (3722)
27	004240423	Set screw
28	E1A1033003	Pattern selector adjusting lever
29	004240046	Set screw (M4×10 B)
30	004240106	Set screw (M4×8 A)

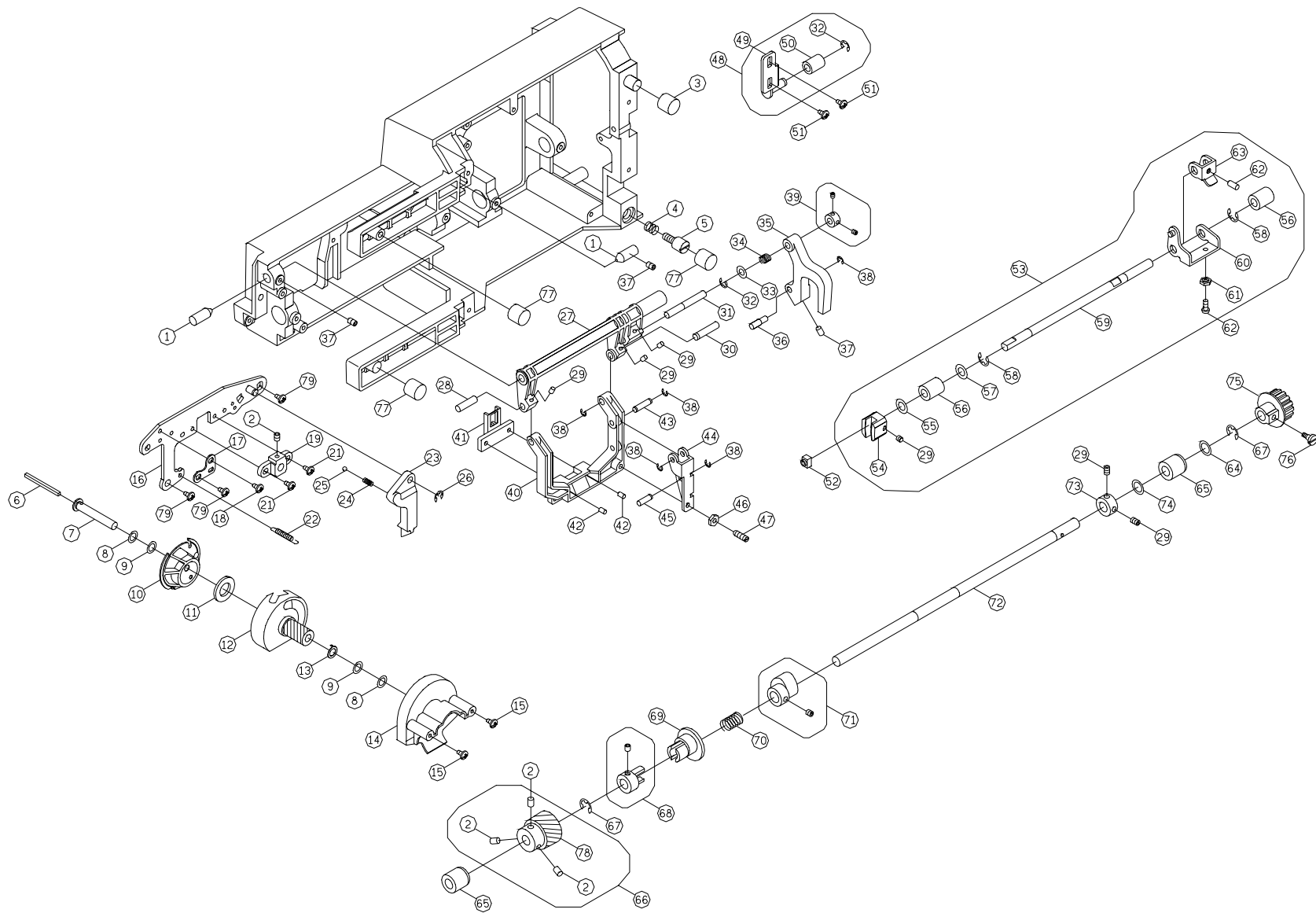
No.	Part No.	Description
31	E1A1053000	Zig zag cam
32	004241093	Set screw (M4×9)
33	E1A1043000	Pattern selector cam shaft
34	E1A1073006	Zig zag movement contact
35	E1A1083003	Movement plate
36	004230016	Set screw (M3×6 A)
37	EAA0173000	Stretch stitch release
38	004240503	Set screw (M4×4)
39	E1A0893003	Zig zag release plate
40	004840106	Set screw
41	004240633	Set screw (M4×12)
42	E1A0843000	Zig zag cam contact supporter shaft
43	003010056	E-Ring (ETW-5)
44	E1A0853003	Zig zag cam contact supporter
45	EAA0103003	BH Feed crank (3722)
45	E4A0033003	BH Feed crank (3709)
46	E1A0873003	Zig zag cam contact (3709)
46	EAA0063003	Zig zag cam contact (3722)
47	E1A0973003	BH Feed crank spring
48	EAA0093003	BH adjusting crank
49	E1A0913003	SS cam contact supporter (3709)
49	EAA0073003	SS cam contact supporter (3722)
50	E1A0923003	SS cam contact (3709)
50	EAA0083003	SS cam contact (3722)
51	E1A0903003	Zig zag release plate
52	E1A0943003	Feed rock shaft
53	E1A0983003	BH adjusting plate
54	E1A0993003	Stretch stitch release plate
55	E1A1253003	Selector dial plate
56	004240056	Set screw (M4×6 B)
57	E1A1243006	Selector dial shaft
58	003042512	Spring pin (2.5×12)
59	E1A1263000	Selector gear
60	004300676	Washer (3.2×8 ×0.8)
61	E1A1143003	Zig zag width crank (3709)
62	E1A1353003	Zig zag width crank rod (3709)

No.	Part No.	Description
63	003010036	E-RING (ETW-3)
64	E1A1153003	Zig zag width selector plate (3709)
65	004230613	Set screw (3709)
66	E1A1113000	Adjusting shaft
67	003010043	E-Ring (ETW-4)
68	E4B0063003	Pattern gear plate
69	E4B0053000	Pattern gear
70	003020043	CS ring
71	E1A1213006	Pattern selector plate
72	004220076	Set screw (M2×5)
73	ECA0033000	Zig zag selector cam (3709)
73	E1A1173000	Zig zag selector cam (3722)
74	004020046	Set screw (M4×10 B)
75	004300333	Washer (6.7×12×0.5)

E



F

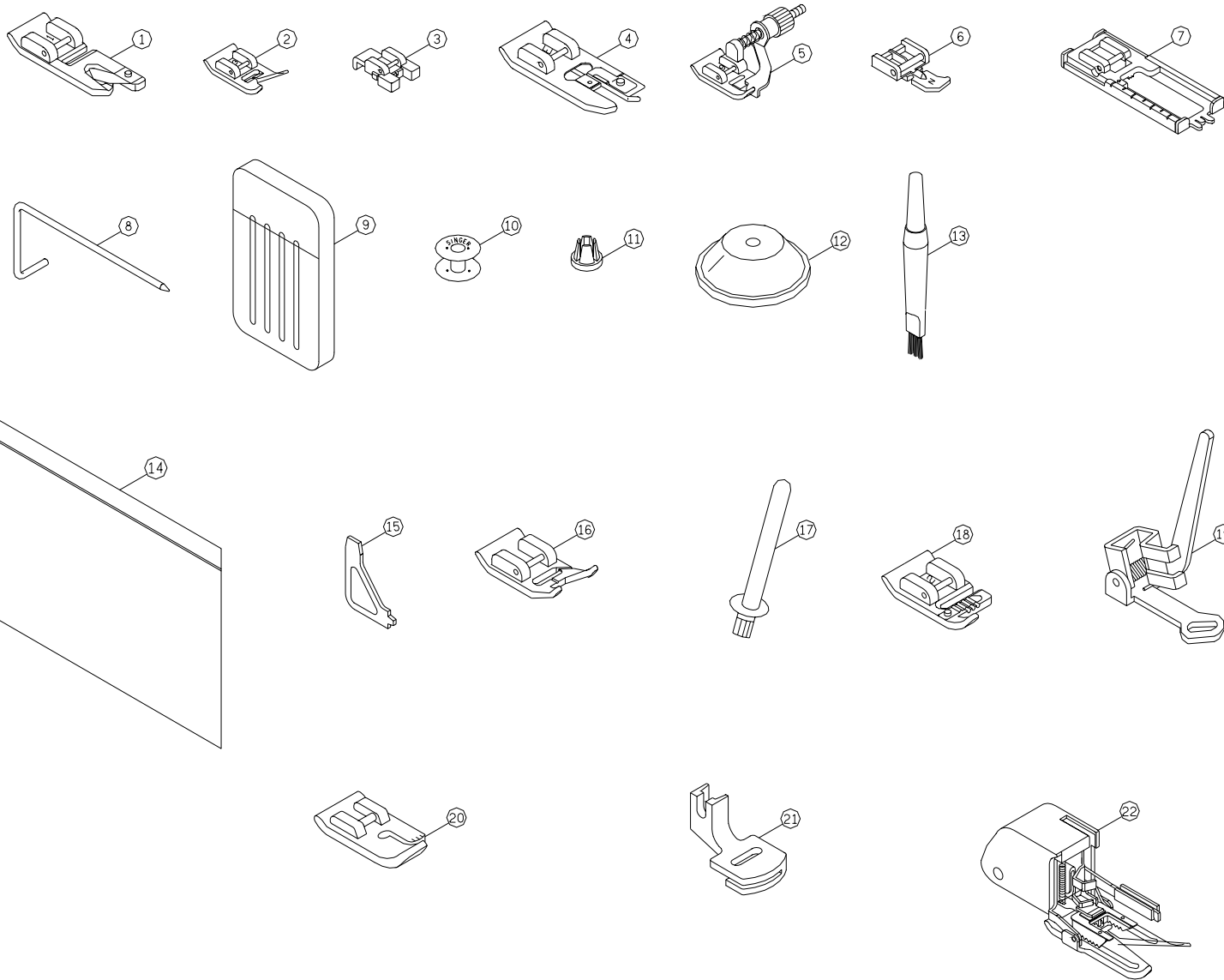


No.	Part No.	Description
1	E1A0463000	Feed crank shaft
2	004240033	Set screw (M4×5)
3	H70043000	Free arm vase cushion rubber
4	E1A2573003	Base plate adjustment screw spring
5	K82133003	Base plate adjustment screw
6	NB0693000	Bobbin shaft oil cloth
7	E1A2033000	Bobbin shaft
8	NB0673000	Bobbin shaft washer (2)
9	NB0663000	Bobbin shaft washer (1)
10	NB1275000	Shuttle hook complete
11	NB0643000	Magnet
12	NB1265000	Shuttle hook holder
13	NB0683000	Bobbin shaft washer (3)
14	E1A0563000	Shuttle hook cover
15	004230066	Set screw (M3×15 B)
16	E1A0523000	Rotary hook holder
17	E1A0553000	Rotary hook holder positioned plate
18	004240056	Set screw (M4×6 B)
19	E1A0543000	Rotary hook supporter
21	004240106	Set screw (M4×8 A)
22	E1A2343003	Feed dog frame spring
23	E1A0573000	Feed lifting shaft
24	K81323003	Spring
25	H12883000	Steel ball
26	003010046	E-Ring (ETW-4)
27	E1A0373000	Feed rock shaft
28	E1A0403003	Fed rock frame shaft (2)
29	004240503	Set screw (M4×4)
30	E1A0423003	Feed rock frame shaft (1)
31	E1A0383003	Feed rock bushing pin
32	003010043	E-Ring (ETW-4)
33	004300643	Washer (5.2×10×0.5)
34	E1A2023003	Feed shaft spring
35	E1A2083210	Feed rock crank
36	F30323003	Feed rock crank pin
37	004240223	Set screw (M4×6)

No.	Part No.	Description
38	003010036	E-Ring (ETW-3)
39	F30284000	Feed rock shaft collar
40	E1A0413000	Feed rock frame
41	E3A0033001	Feed dog
42	004104012	Set screw (1/8×44×5)
43	E1A0443003	Feed rock crank pin
44	E1A0433003	Feed rock crank
45	E1A0453003	Feed lifting rock crank
46	004840106	Adjusting Nut
47	004240633	Feed back crank screw
48	E1A0345000	Belt adjusting plate complete
49	E1A0353000	Belt adjusting plate
50	H12323000	Belt adjusting plate pulley
51	004240106	Set screw (M4×8 A)
52	F30333000	Feed regulating block
53	E1A0474000	Feed regulating plate complete
54	F30353000	Feed regulating
55	004400570	Endure attrition washer (6.7×11.8×0.5)
56	R11443000	Feed rock bushing (7.2×12×1.0)
57	004300123	Washer (6.7×12×1)
58	003011052	E-Ring (ETW-5)
59	E1A0483003	Feed regulating shaft
60	E1A0503003	Feed regulating crank
61	004840106	Adjusting nut
62	004240046	Set screw (M4×10 B)
63	E1A0493003	Feed crank
64	004300936	Washer (8.2×12×0.5)
65	E1A0283000	Lower shaft bushing
66	NB0495000	Lower shaft gear complete
67	003010063	E-Ring (ETW-6)
68	E1A0305000	Feed lifting rock cam complete
69	E1A0290000	Feed lifting rock cam
70	E1A0333003	Lower shaft spring
71	E1A0325000	Feed rock cam
72	E1A0273000	Lower shaft
73	V11553003	Lower shaft collar

No.	Part No.	Description
74	004400830	Endure attrition washer (8.2×12×0.5)
75	E1A0313000	Lower shaft belt pulley
76	004230113	Set screw (M3×4.8)
77	E1A2503000	Free arm vase cushion rubber
78	NB0503000	Lower shaft spring
79	004240585	Set screw (M4×8)

G



No.	Part No.	Description
1	006900008	Hammer foot
2	006918008	Zig zag foot (No.H)
3	006914008	Button foot
4	006907008	Overcasting foot
5	006904008	Blind hem foot
6	006905008	Zipper foot
7	006174008	Buttonhole foot
8	006008001	Quilting bar
9	006175008	Needle
10	006066008	Bobbin
11	R12373210	Spool set plate (Small)
12	TA10943209	Spool set plate (Big)
13	006099008	Brush & Seam ripper complete
14	006011009	Accessories bag
15	006093009	L-screwdriver
16	006172008	Satin stitch foot
17	R60033210	Second spool pin
18	006813008	Cording foot
19	006016008	Darning foot
20	006916008	Quilting foot
21	006917008	Gathering foot
22	006185008	Walking foot

NOTE: When you order any spare parts from us, please cooperate with us by writing.

- (1) Section & Sequence No.
- (2) Name of parts
- (3) Voltage, if necessary
- (4) Others, if any
- (5) "*" means: These spare parts are not supplied individually, but can be obtained by minimum quantity at 300 pcs.

029190003 (2版)

2000/12/18