

SINGER
353/354

**LIST OF PARTS
FOR**

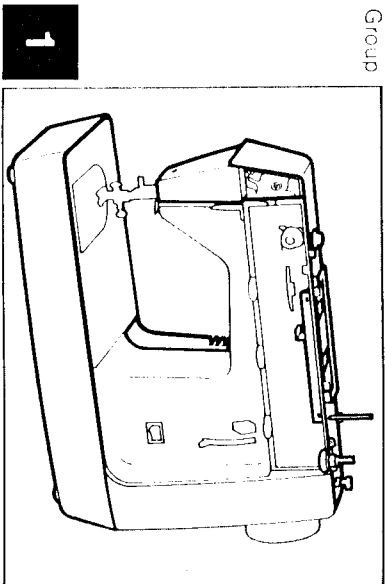
SINGER*
SEWING MACHINES

353 & 354

* A Trademark of THE SINGER COMPANY

Contents

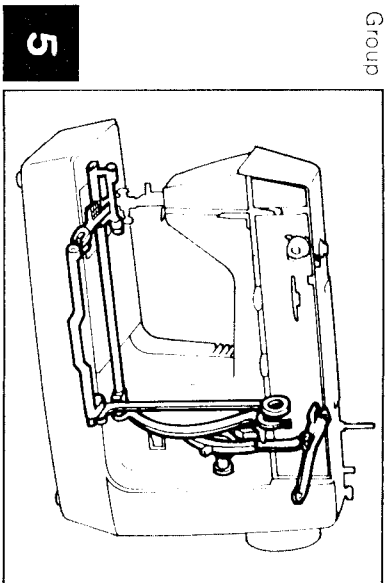
Group



Page

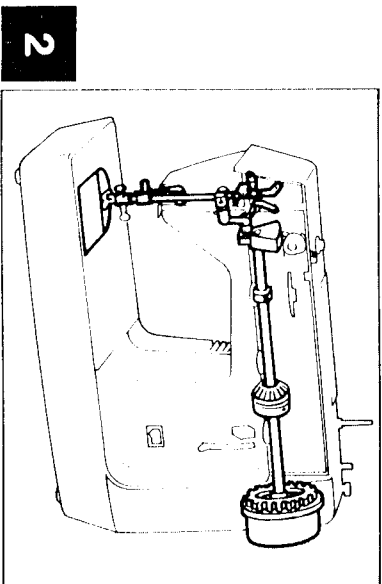
4

Group

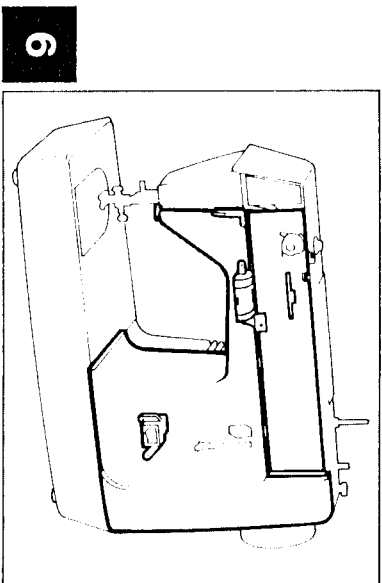


Page

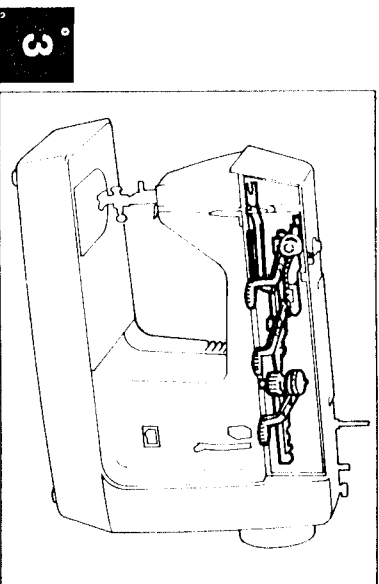
12



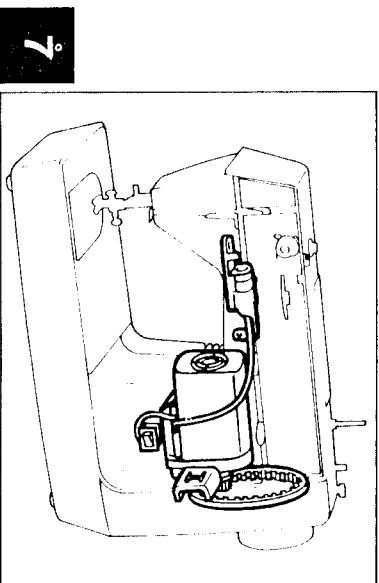
6



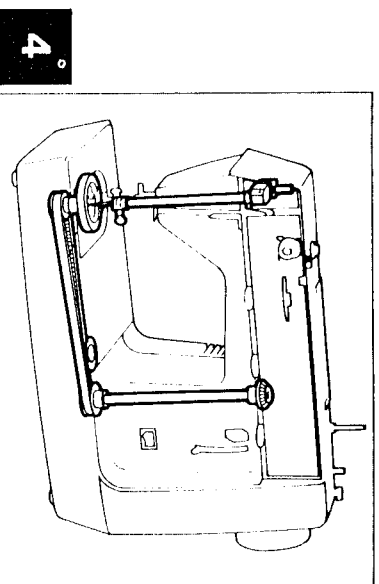
14



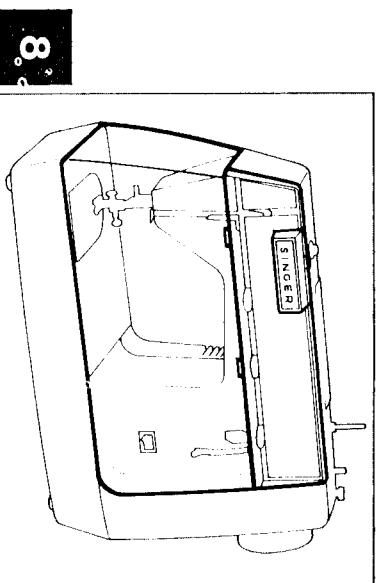
8



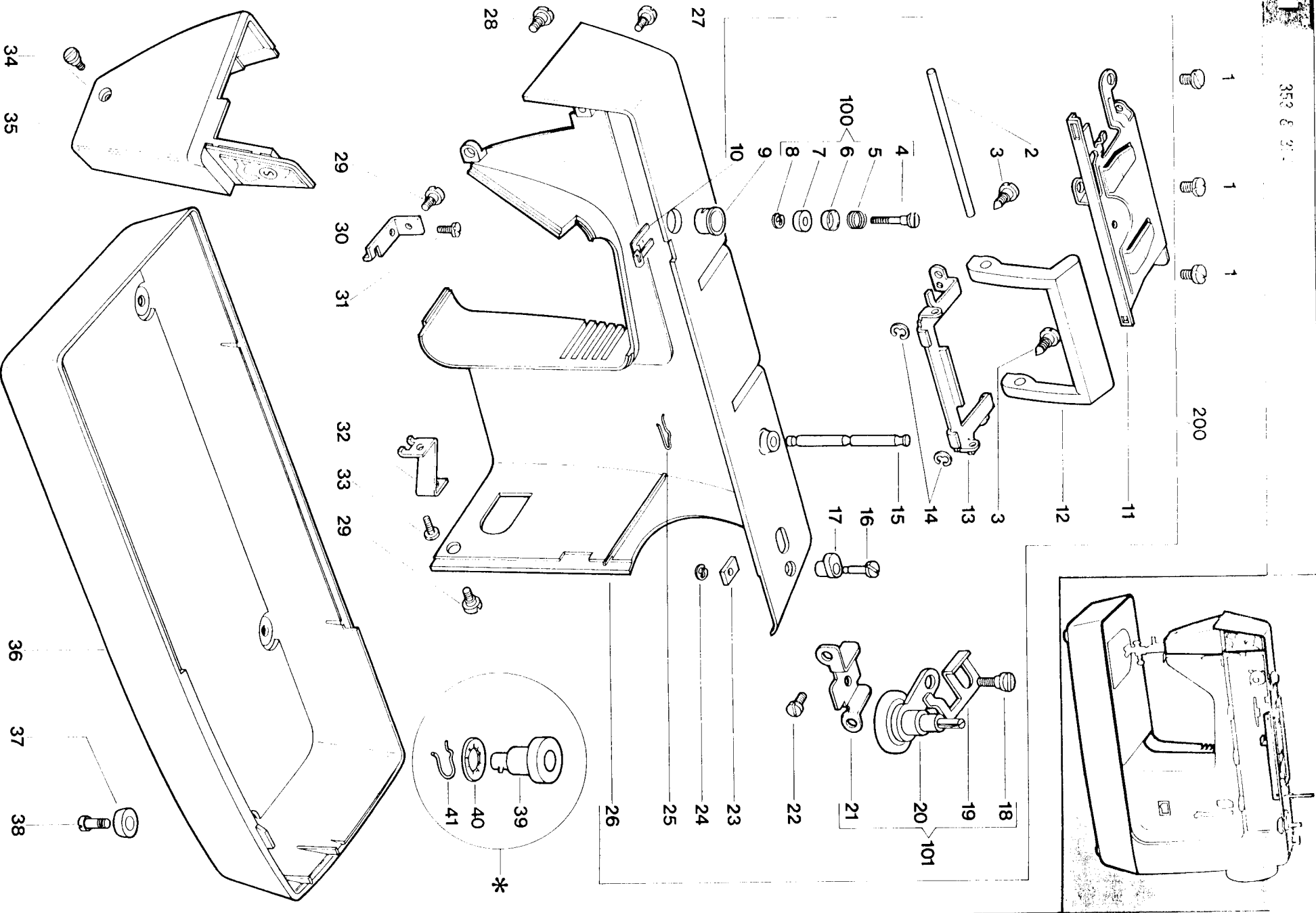
16



10



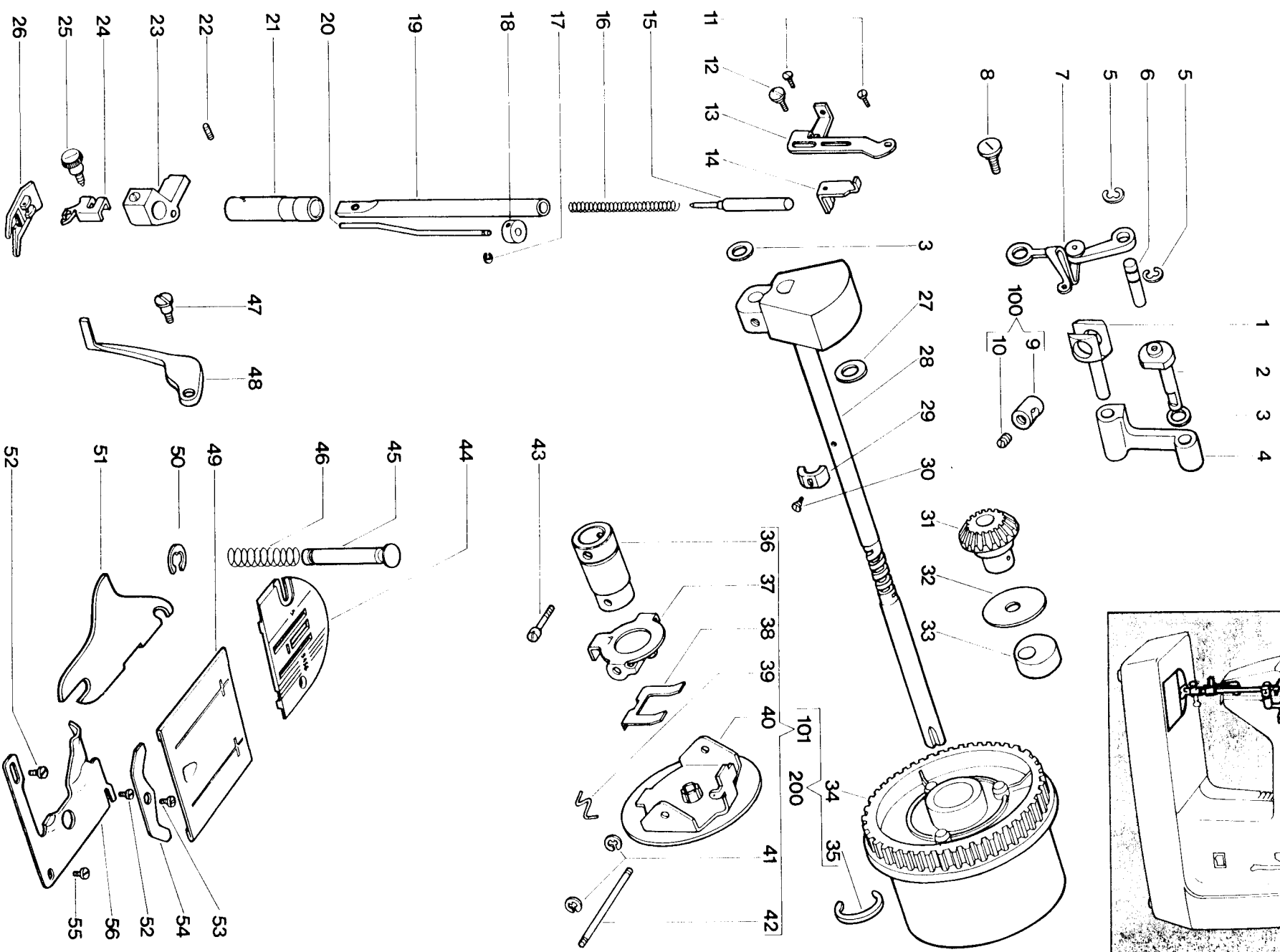
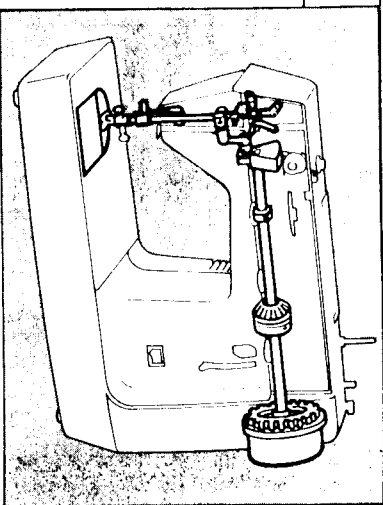
18



List of Parts for Machines 353 & 354

1

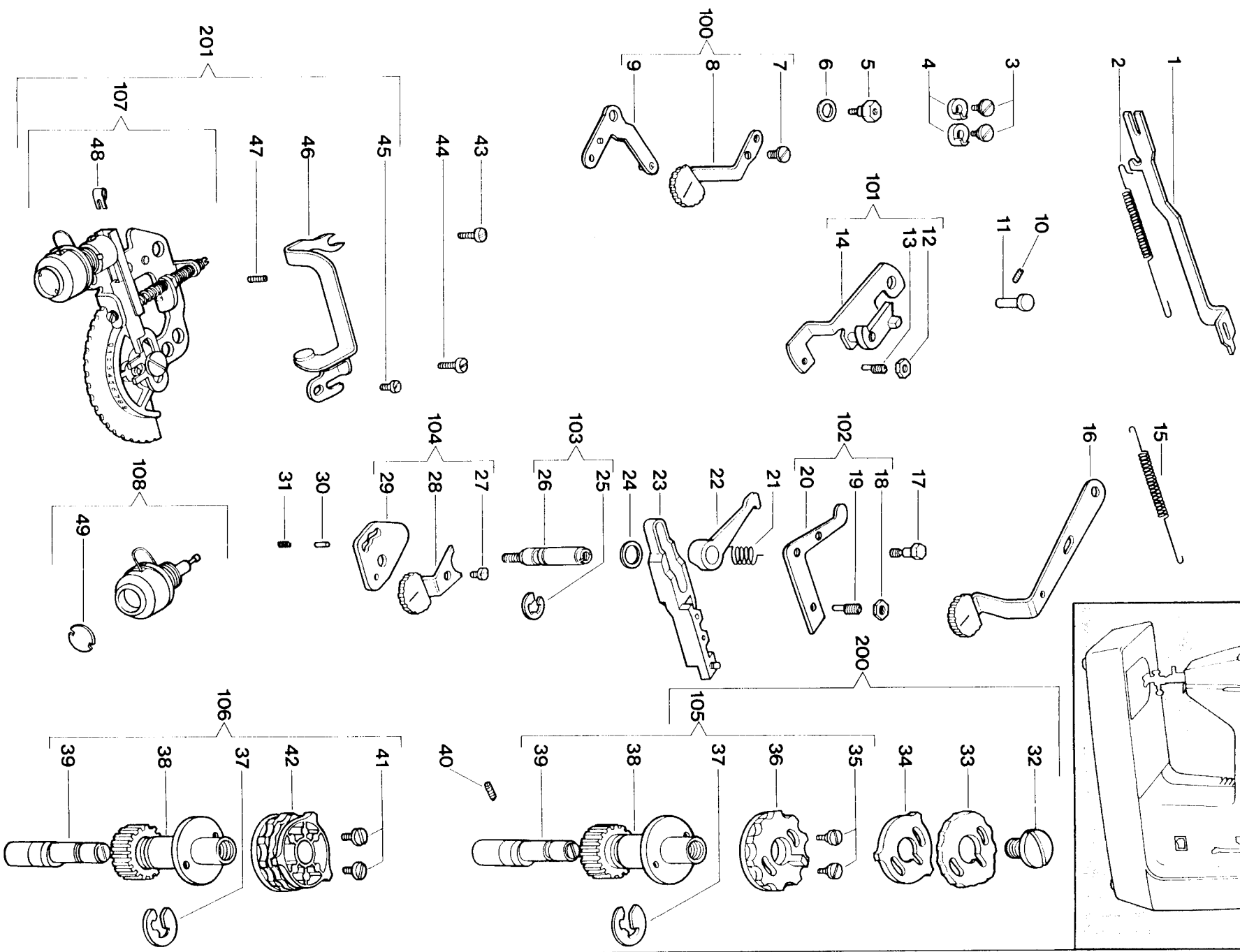
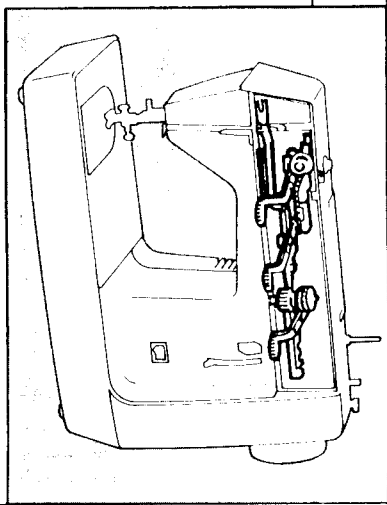
Sub. Ass.	ILLUS. REF. N°	Part N°	Part Description	353	354	
						2XX
200	1	354261	Machine handle mounting bracket plate screw (lower) (3)	X	X	
	2	44996-451 319652 139988-451	Arm cover (back) complete Machine handle hinge pin Machine handle mounting bracket screw (2)	X X X	X X X	
	3			X	X	
100	4	179813	Bobbin winder tension complete	X	X	
	5	179812	Bobbin winder tension stud	X	X	
	6	45847	Bobbin winder tension disc spring	X	X	
	7	45915	Bobbin winder tension disc	X	X	
	8	319606 319663	Bobbin winder tension stud collar Bobbin winder tension stud retaining ring	X X	X X	
	9	179811	Bobbin winder tension stud bushing	X	X	
	10	319605	Bobbin winder tension ret. clip & arm cover (back) thread guide	X	X	
	11	319583	Machine handle mounting bracket plate	X	X	
	12	319673-001	Machine handle	X	X	
	13	319582	Machine handle mounting bracket	X	X	
	14	319588	Machine handle mounting retaining ring	X	X	
	15	44998	Arm cover (back) spool pin (retractable)	X	X	
	16	139982-451	Bobbin winder stop screw	X	X	
	17	319601-451	Bobbin winder stop (plastic)	X	X	
	101	18	319608	Bobbin winder complete assembly	X	X
		19	354223-451	Bobbin winder lever hinge screw	X	X
		20	319865	Bobbin winder engaging spring	X	X
21		319607 319600	Bobbin winder complete Bobbin winder mounting bracket	X X	X X	
22		354309-451	Bobbin winder mounting bracket screw	X	X	
23		54580-451	Bobbin winder stop screw nut	X	X	
24		44784	Bobbin winder stop screw nut retaining ring	X	X	
25		179814	Arm cover (back) spool pin retaining clip	X	X	
26		44995-903	Arm cover (back)	X	X	
27		354051-452	Arm cover (back) screw (upper, left)	X	X	
28		354051-451	Arm cover (back) screw (lower, left)	X	X	
29	139978-451	Arm cover (back) bracket (back) screw (upper)	X	X		
29	139978-451	Arm cover (back) screw (right end)	X	X		
30	319654	Arm cover (back) bracket (back)	X	X		
31	141848-819	Arm cover (back) bracket (back) screw (lower)	X	X		
32	44997	Arm cover (back) bracket (right end)	X	X		
33	141844-819	Arm cover (back) bracket (right end) screw	X	X		
34	354051-451	Face plate screw	X	X		
35	319533-451	Face plate	X	X		
36	319515-001	Bed cover plate (bottom) (plastic)	X	X		
37	45780-452	Bed cover plate (bottom) cushion (rubber) (4)	X	X		
38	139980-451	Bed cover plate (bottom) cushion screw (4)	X	X		
* For first Machines						
39	40	44999-000	Arm cover (back) spool pin bushing (plastic)	X	X	
	41	319732	Arm cover (back) spool pin bushing retaining ring	X	X	
		45000	Arm cover (back) spool pin retaining clip	X	X	



List of Parts for Machines 353 & 354

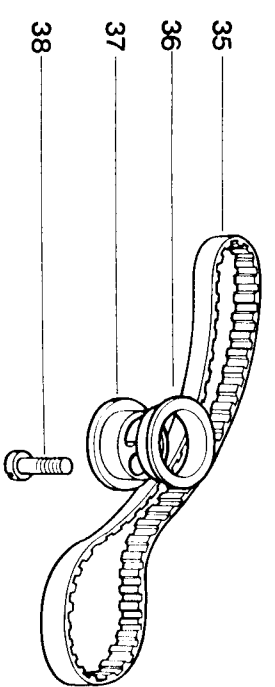
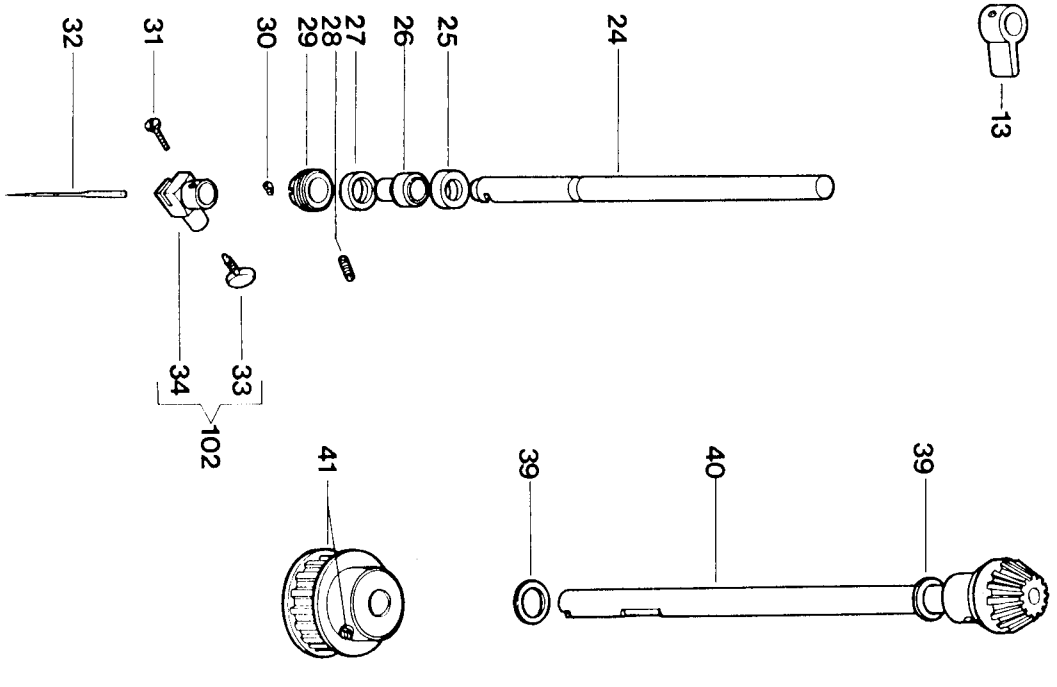
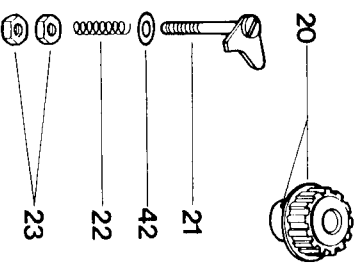
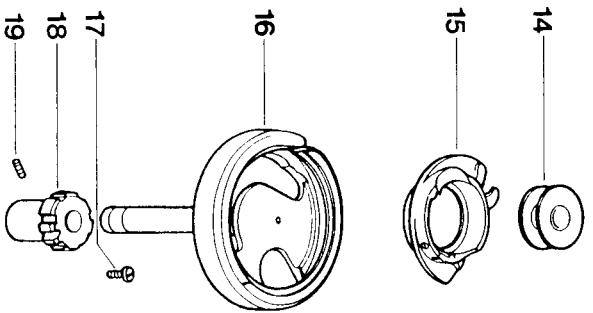
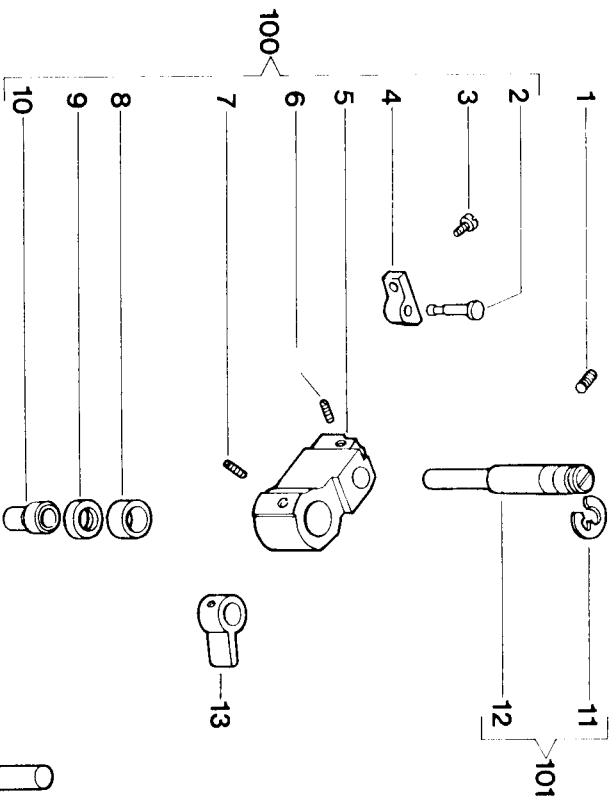
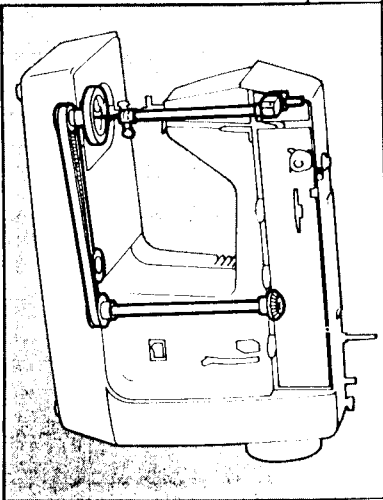
2

Sub. Ass.	ILLUS. REF. N°	Part N°	Part Description	353	354	
						2XX
100	1	37930	Needle bar connecting stud	X	X	
	2	319825	Thread take-up crank	X	X	
	3	319822	Thread take-up crank washer (2)	X	X	
	4	319824	Needle bar connecting link	X	X	
	5	44472	Thread take-up lever link stud retaining ring (L & R.) (2)	X	X	
	6	44421	Thread take-up lever link hinge stud	X	X	
	7	319860	Thread take-up lever	X	X	
	8	141809-805	Thread take-up lever cap screw	X	X	
	9	37932	Needle bar connecting stud hinge pin with screw	X	X	
	10	141916-833	Needle bar connecting stud hinge pin Needle bar clamping screw	X	X	
200	11	141844-819	Presser bar pressure regulating bracket screw (2)	X	X	
	12	141830-803	Presser bar pressure regulating bracket slide screw	X	X	
	13	319593	Presser bar pressure regulating bracket	X	X	
	14	319594	Presser bar pressure regulating bracket slide	X	X	
	15	37959-803	Presser bar pressure regulating extension pin	X	X	
	16	319801	Presser bar spring	X	X	
	17	179786	Tension releasing pin retaining ring	X	X	
	18	44783	Tension releasing pin collar	X	X	
	19	319758	Presser bar (hollow)	X	X	
	20	44781	Tension releasing pin	X	X	
	21	179780	Presser bar bushing	X	X	
	22	141803-830	Presser bar bushing set screw	X	X	
	23	44444-001	Presser bar guide bracket (with screw 354420-451)	X	X	
	24	155964	Presser foot shank (snap-on)	X	X	
	25	354135-451	Presser foot thumb screw	X	X	
	26	155962	Presser foot plate (snap-on) zigzag sewing	X	X	
	27	319764	Needle bar crank washer	X	X	
	28	319509	Arm shaft (horizontal)	X	X	
	29	319511	Arm shaft (horizontal) collar (plastic)	X	X	
	30	354051-452	Arm shaft (horizontal) collar screw	X	X	
	31	37229	Arm shaft (horizontal) bevel gear (plastic) & feed lifting	X	X	
	32	37284-001	Feed forked connection retaining washer	X	X	
	33	37281	Feed cam	X	X	
	101	34	319562-451	Hand wheel complete	X	X
		35	319555-451	Hand wheel	X	X
		36	319558-451	Hand wheel retaining ring	X	X
		37	319557	Hand wheel disengaging clutch complete	X	X
		38	319566	Hand wheel disengaging clutch bushing	X	X
		39	319567	Hand wheel disengaging clutch bushing plate	X	X
		40	319657	Hand wheel disengaging clutch bushing plate retainer	X	X
		41	319846-451	Hand wheel disengaging clutch actuating spring	X	X
		42	319561	Hand wheel disengaging clutch engaging plate	X	X
		43	319560	Hand wheel disengaging clutch engaging plate hinge pin retaining ring (2)	X	X
44	139983-451	Hand wheel disengaging clutch engaging plate hinge pin	X	X		
45	37996-892	Hand wheel disengaging clutch bushing screw	X	X		
46	102840-892	Throat plate clamp	X	X		
47	179657	Throat plate clamp spring	X	X		
48	141947-803	Presser bar lifter hinge screw	X	X		
49	179822	Presser bar lifter	X	X		
50	319516	Bed slide	X	X		
51	45973	Throat plate clamp spring retaining clip	X	X		
52	381903	Rotating hook bobbin, case retaining plate (adjustable)	X	X		
53	354229-451	RHBC retaining plate adj. screw (2)	X	X		
54	141848-819	Bed slide spring screw	X	X		
55	319517	Bed slide spring	X	X		
56	354227-451	RHBC retaining plate (adjustable screw)	X	X		
		44873	Rotating hook bobbin case position plate	X	X	



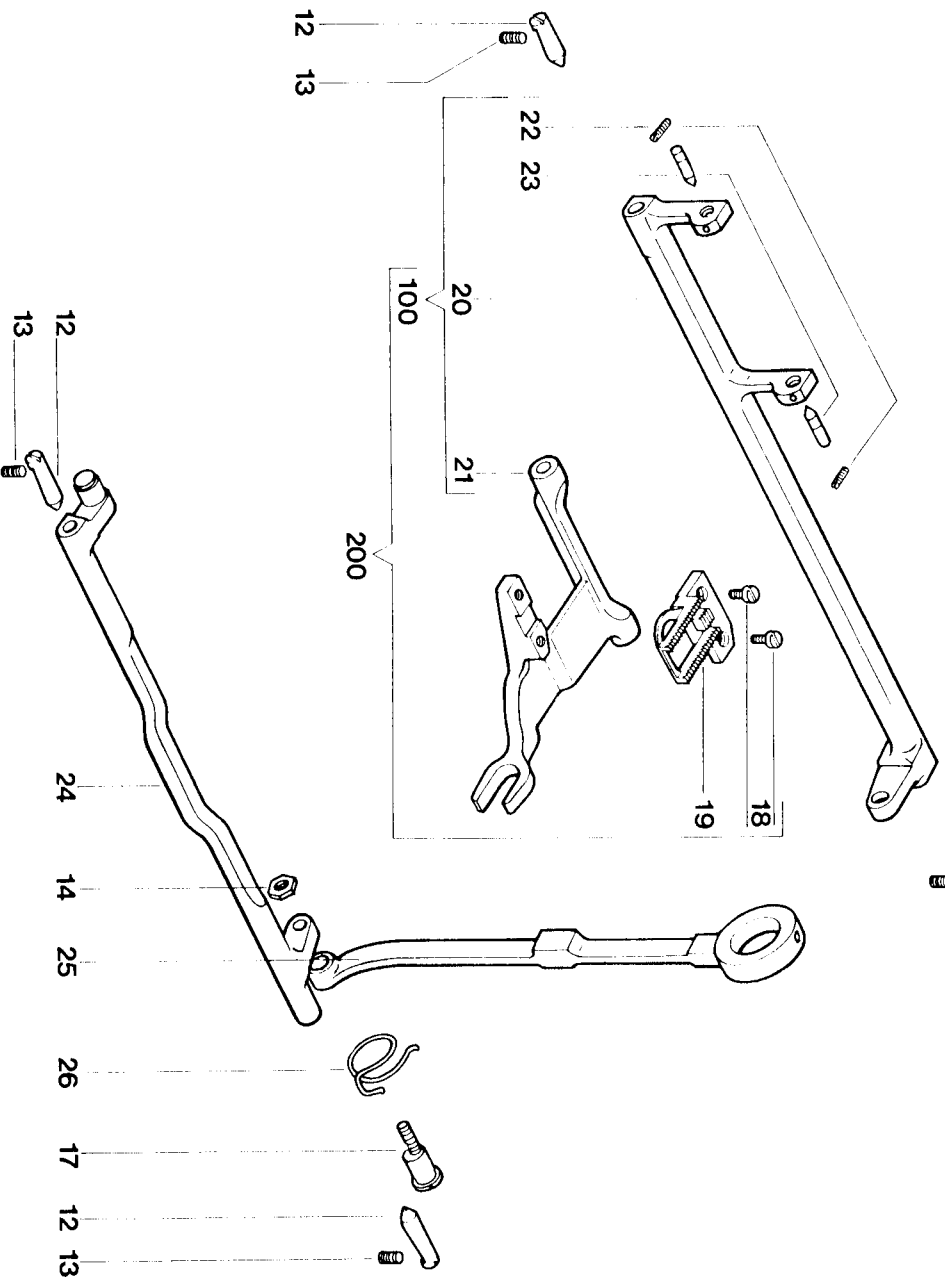
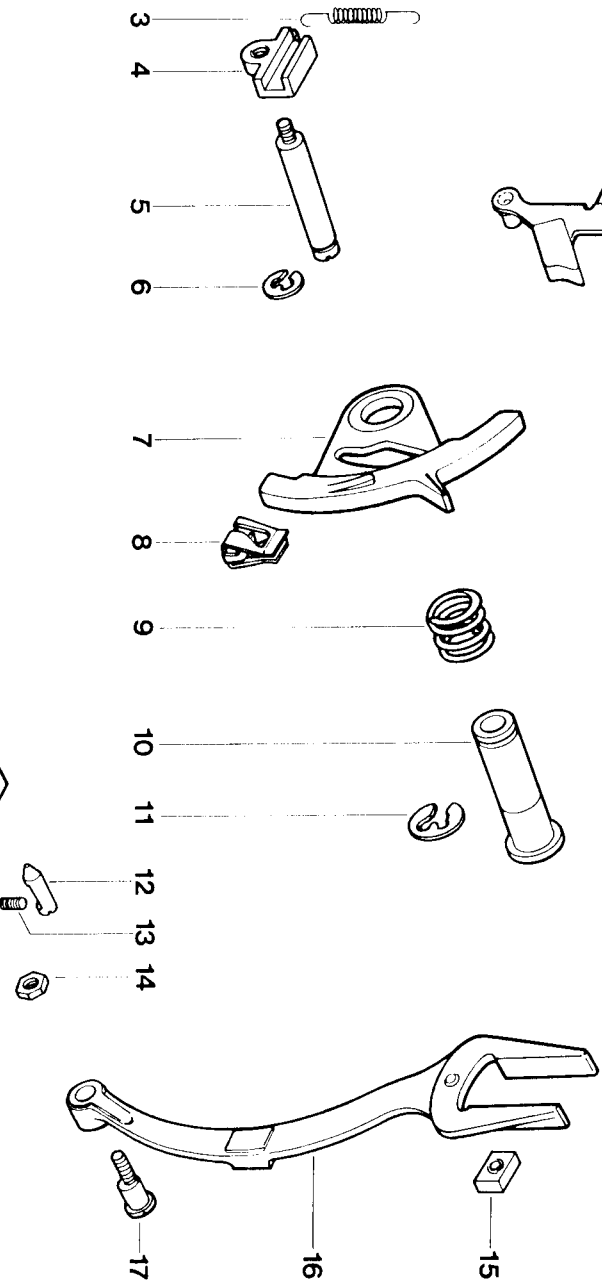
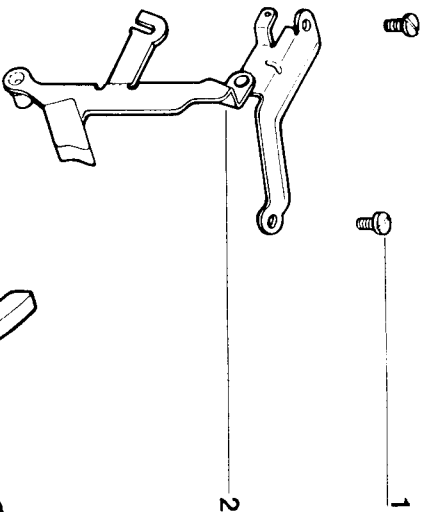
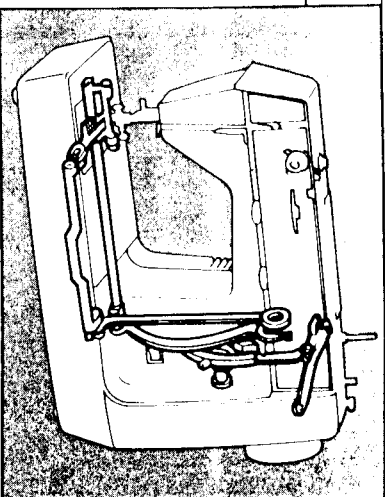
List of Parts for Machines 353 & 354

Sub. Ass.	ILLUS. REF. N°	Part N°	Part Description	Part Availability	
				353	354
100	1	37933-803	Needle bar driving arm	X	X
	2	37942	Needle bar driving arm tension spring	X	X
	3	141787-819	Right amplitude control lever link stop screw (2)	X	X
	4	37248	Right amplitude control lever link stop (plastic) (2)	X	X
	5	319522	Right amplitude control lever link hinge screw stud	X	X
	6	48204-830	Right amplitude control lever link hinge scr. stud friction washer	X	X
	7	319520-451	Right amplitude control lever complete	X	X
	8	141913-819	Right amplitude control lever screw	X	X
	9	319519-451	Right amplitude control lever	X	X
	10	37246	Right amplitude control lever link	X	X
	11	354083-451	Needle bar driving arm slide bracket hinge stud set screw	X	X
101	12	179792	Needle bar driving arm slide bracket hinge stud	X	X
	13	319800	Needle bar driving arm slide bracket complete	X	X
	14	53641-819	Needle position selector lever bracket follower screw stud nut	X	X
	15	44471	Needle position selector lever bracket foll. scr. stud (eccentric)	X	X
	16	319798	Needle bar driving arm slide bracket	X	X
	17	446516	Disc follower disengaging lever spring	X	X
	18	179798	Disc follower disengaging lever spring	X	X
	19	319531-451	Disc selector lever	X	X
	20	319666	Disc follower stud screw	X	X
	21	37265	Disc follower disengaging lever complete	X	X
	22	179796	Disc follower disengaging lever complete	X	X
102	23	53641-819	Disc follower disengaging lever complete	X	X
	24	44471	Disc follower disengaging lever adjusting screw stud nut	X	X
	25	37264	Disc follower disengaging lever	X	X
	26	179795	Disc follower disengaging lever	X	X
	27	44419	Disc follower position spring	X	X
	28	37262-830	Disc follower	X	X
	29	319753	Disc selector cam slide	X	X
	30	179800-000	Disc selector cam slide	X	X
	31	37276-819	Disc selector cam slide washer	X	X
	32	37269	Disc follower stud with retaining ring	X	X
	103	33	44371	Disc follower stud retaining ring	X
34		37268	Disc follower stud	X	X
35		319591-451	Needle position selector lever complete	X	X
36		141913-819	Needle position selector lever screw	X	X
37		319590-451	Needle position selector lever	X	X
38		37953-805	Needle position selector lever bracket	X	X
39		37955-803	Needle position selector lever bracket positioning pin	X	X
40		37956	Needle position selector lever bracket positioning pin spring	X	X
41		319720	Disc driving gear complete with discs & clamping screw	X	X
42		141792-819	Disc clamping screw	X	X
104		43	276302	Disc No. 2	X
	44	276332	Disc No. 32	X	X
	45	319719	Disc driving gear complete	X	X
	46	141807-819	Disc positioning screw (2)	X	X
	47	319694	Disc (plastic)	X	X
	48	44730	Disc driving gear retaining ring	X	X
	49	37257	Disc driving gear	X	X
	50	37261	Disc driving gear shaft	X	X
	51	141938-833	Disc driving gear shaft set screw	X	X
	52	179817	Disc driving gear complete	X	X
	105	53	354259-451	Disc positioning screw (2)	X
54		179803	Disc stack (plastic)	X	X
55		44730	Disc driving gear retaining ring	X	X
56		37257	Disc driving gear	X	X
57		37261	Disc driving gear shaft	X	X
58		141848-819	Tension mounting bracket screw (left)	X	X
59		141830-803	Tension mounting bracket screw (right)	X	X
60		319711-451	Tension mounting bracket with tension & releasing lever complete	X	X
61		514541-451	Tension releasing lever mounting bracket screw	X	X
62		319596	Tension releasing lever	X	X
106		63	354066-451	Tension mounting bracket support screw	X
	64	506426-453	Tension mounting bracket with tension complete	X	X
	65	506379	Tension mounting slide plate spring clip	X	X
	66	506318-453	Tension complete with cap	X	X
	67	514605-452	Tension cap	X	X
	68	319711-451	Tension mounting bracket with tension & releasing lever complete	X	X
	69	514541-451	Tension releasing lever mounting bracket screw	X	X
	70	319596	Tension releasing lever	X	X
	71	354066-451	Tension mounting bracket support screw	X	X
	72	506426-453	Tension mounting bracket with tension complete	X	X
	107	73	506379	Tension mounting slide plate spring clip	X
74		506318-453	Tension complete with cap	X	X
75		514605-452	Tension cap	X	X
76		319711-451	Tension mounting bracket with tension & releasing lever complete	X	X
77		514541-451	Tension releasing lever mounting bracket screw	X	X
78		319596	Tension releasing lever	X	X
79		354066-451	Tension mounting bracket support screw	X	X
80		506426-453	Tension mounting bracket with tension complete	X	X
81		506379	Tension mounting slide plate spring clip	X	X
82		506318-453	Tension complete with cap	X	X
108		83	514605-452	Tension cap	X
	84	319711-451	Tension mounting bracket with tension & releasing lever complete	X	X
	85	514541-451	Tension releasing lever mounting bracket screw	X	X
	86	319596	Tension releasing lever	X	X
	87	354066-451	Tension mounting bracket support screw	X	X
	88	506426-453	Tension mounting bracket with tension complete	X	X
	89	506379	Tension mounting slide plate spring clip	X	X
	90	506318-453	Tension complete with cap	X	X
	91	514605-452	Tension cap	X	X
	92	319711-451	Tension mounting bracket with tension & releasing lever complete	X	X



List of Parts for Machines 353 & 354

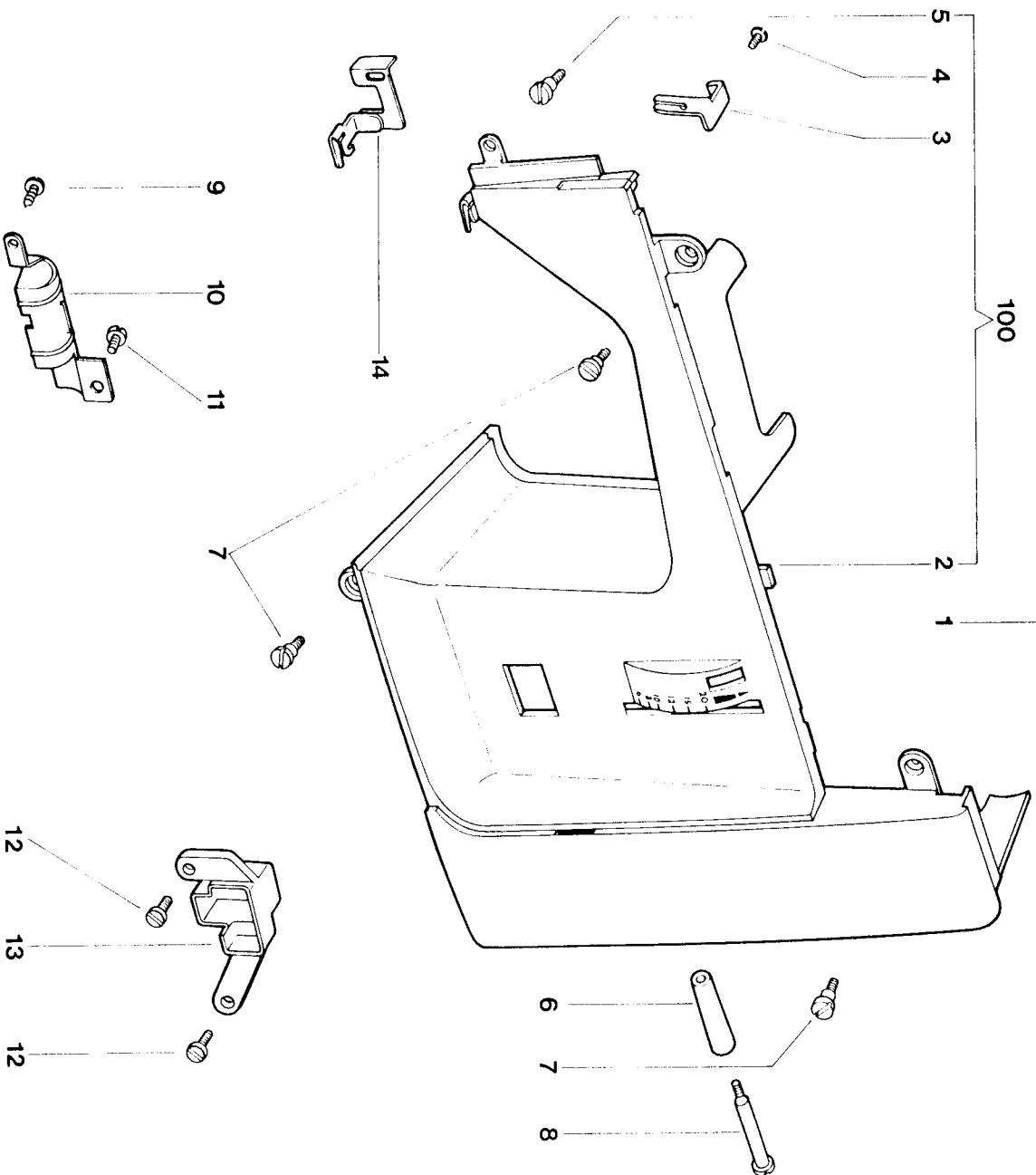
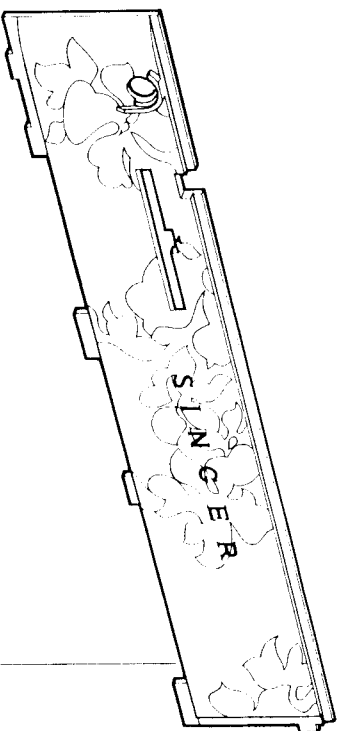
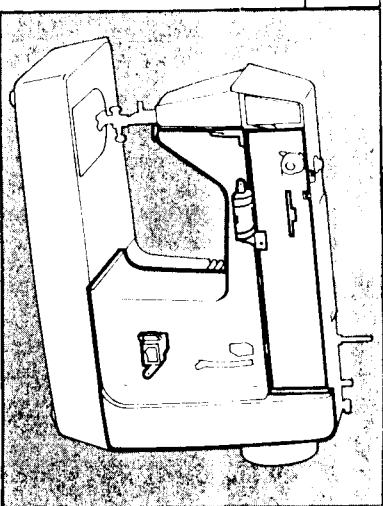
Sub. Ass.	ILLUS. REF. N°	Part N°	Part Description		
				2XX	1XX
100	1	141938-833	Needle bar vibrating bracket hinge pin (eccentric) set screw	X	X
	2	37945-001	Needle bar vibrating bracket complete	X	X
	3	37935	Needle bar driving arm hinge bracket hinge pin	X	X
	4	141844-819	Needle bar driving arm hinge bracket screw	X	X
	5	37934	Needle bar driving arm hinge bracket	X	X
	6	37944	Needle bar vibrating bracket	X	X
	7	141940-833	Needle bar driving arm hinge bracket hinge pin set screw	X	X
	8	141803-830	Needle bar ball bushing (upper) adjusting collar set screw	X	X
	9	37928	Needle bar ball bushing (upper) adjusting collar	X	X
	10	507379	Needle bar ball bushing (upper) socket	X	X
101	11	37927-001	Needle bar ball bushing (upper)	X	X
	12	44451	Needle bar vibrating bracket hinge pin with retaining ring	X	X
	13	44371	Needle bar vibrating bracket hinge pin retaining ring	X	X
	14	44684	Needle bar vibrating bracket hinge pin	X	X
	15	44673-001	Needle bar vibrating bracket hinge pin collar (with screw 354203-451)	X	X
	16	172336	Rotating hook bobbin (plastic)	X	X
	17	310885	Rotating hook bobbin case	X	X
	18	44506	Rotating hook	X	X
	19	139943-803	Rotating hook flanged bushing (eccentric) position adjusting screw	X	X
	20	44512-805	Rotating hook flanged bushing (eccentric) set screw	X	X
102	21	141925-833	Rotating hook flanged bushing (eccentric) set screw	X	X
	22	37974-001	Rotating hook belt drive pulley (with 2 screws 354244-451)	X	X
	23	44890	Rotating hook bobbin case retaining plate	X	X
	24	44892	Rotating hook bobbin case retaining plate stud spring	X	X
	25	54576-819	Rotating hook bobbin case retaining plate stud nut (2)	X	X
	26	37926-830	Needle bar	X	X
	27	44450-805	Needle bar ball bushing (lower) socket (upper)	X	X
	28	37927-001	Needle bar ball bushing (lower) socket (lower)	X	X
	29	507379	Needle bar ball bushing (lower) adjusting screw set screw	X	X
	30	141803-830	Needle bar ball bushing (lower) adjusting screw	X	X
102	31	44473-819	Needle bar gib	X	X
	32	37943-803	Needle clamp body & needle stop screw	X	X
	33	141808-892	Needle size No. 14	X	X
	34	cat. 2020	Needle clamp complete	X	X
	35	319729	Needle thumb screw	X	X
	36	511171-892	Needle clamp body	X	X
	37	319728	Rotating hook driving belt (rubber)	X	X
	38	37977	Rotating hook driving belt tension adjuster (eccentric) roller	X	X
	39	44410	Rotating hook driving belt tension adjuster	X	X
	40	44409	Rotating hook driving belt tension adjuster	X	X
41	141794-819	Rotating hook driving belt tension adjuster (eccentric) screw	X	X	
42	319826	Arm shaft (upright) washer (2)	X	X	
	319727	Arm shaft (upright)	X	X	
	37234	Arm shaft (upright) belt drive pulley (with screw 141803-830)	X	X	
	319737	Rotating hook bobbin case retaining plate stud washer	X	X	



List of Parts for Machines 353 & 354

5

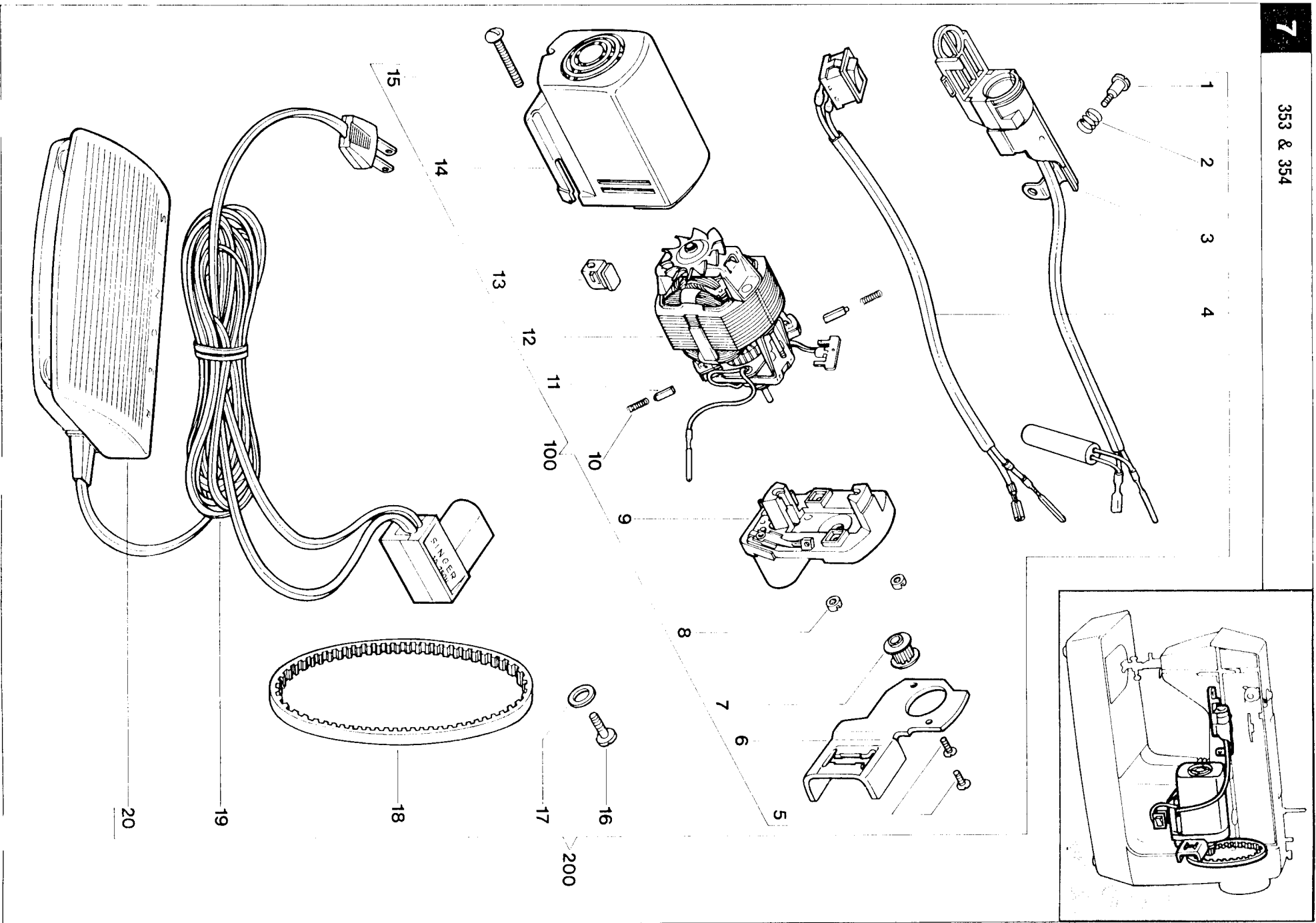
Sub. Ass.	ILLUS. REF. N°	Part N°	Part Description		
				2XX	1XX
	1	141848-819	Feed regulator control arm mounting bracket screw (2)	X	X
	2	319540-451	Feed regulator control arm complete	X	X
	3	37913	Feed regulator return spring	X	X
	4	319536	Feed regulator	X	X
	5	319548	Feed regulator hinge stud	X	X
	6	319551	Feed regulator hinge stud retaining ring	X	X
	7	319544-451	Feed regulator control dial	X	X
	8	319524	Feed regulator control dial friction spring	X	X
	9	319550	Feed regulator hinge stud bushing spring	X	X
	10	319549	Feed regulator hinge stud bushing	X	X
	11	319546	Feed regulator control dial retaining ring	X	X
	12	37287-810	Feed rock shaft center (2)	X	X
	13	37287-810	Feed lifting rock shaft center (2)	X	X
	13	141925-833	Feed rock shaft center set screw (2)	X	X
	13	141925-833	Feed lifting rock shaft center set screw (2)	X	X
	14	53648-819	Feed forked connection hinge screw (eccentric) nut	X	X
	14	53648-819	Feed lifting rock shaft connecting rod hinge screw eccentric nut	X	X
	15	319820	Feed forked connection slide block	X	X
	16	37383	Feed forked connection	X	X
	17	141805-850	Feed forked connection hinge screw (eccentric)	X	X
	17	141805-850	Feed lifting rock shaft connecting rod hinge screw (eccentric)	X	X
	18	319902	Feed rock shaft with feed dog complete	X	X
	19	141920-833	Feed dog screw (2)	X	X
	19	103188-650	Feed dog	X	X
	20	446718	Feed rock shaft complete	X	X
	21	446717	Feed rock shaft	X	X
	22	37280	Feed bar	X	X
	22	141938-833	Feed bar center set screw (2)	X	X
	23	446716	Feed bar center (2)	X	X
	24	37286	Feed lifting rock shaft	X	X
	25	37288-309	Feed lifting rock shaft connecting rod	X	X
	26	319830	Feed rock shaft spring	X	X



List of Parts for Machines 353 & 354

6

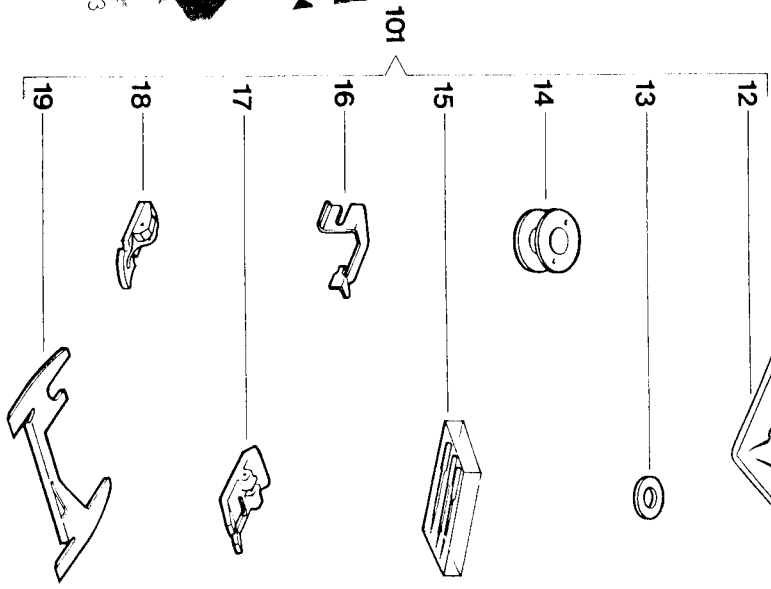
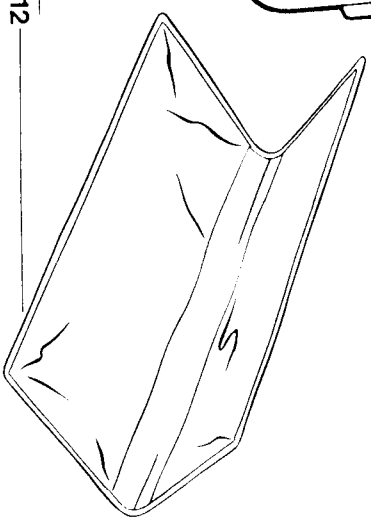
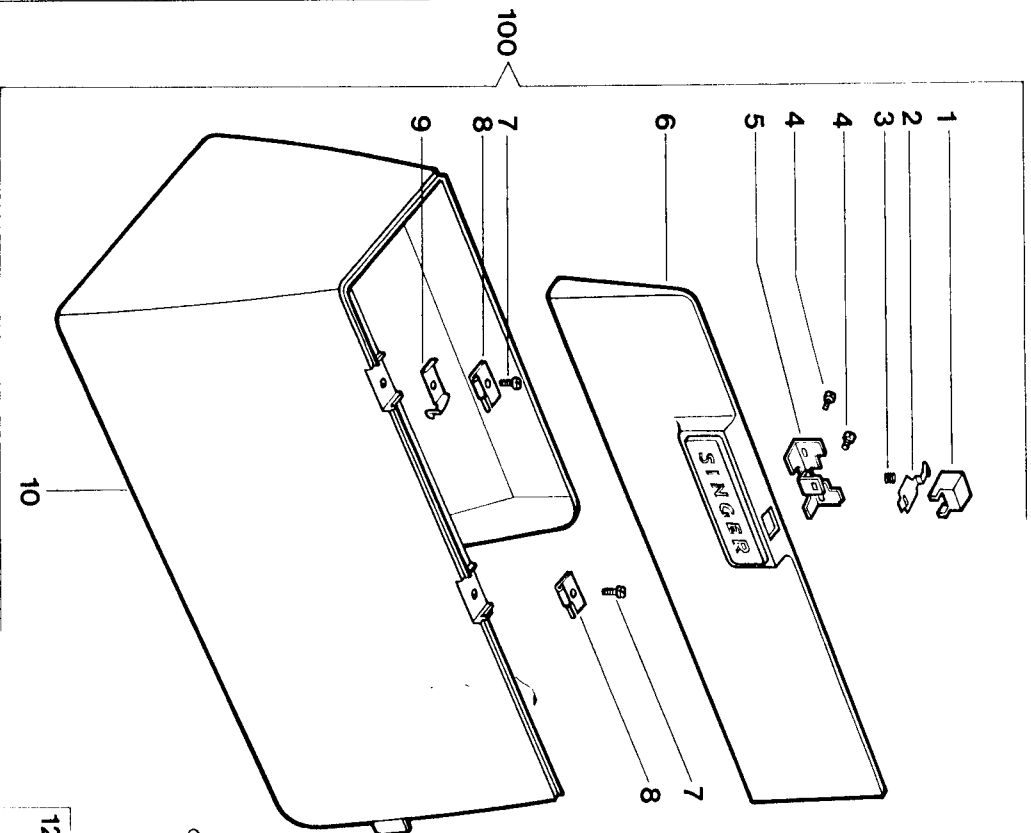
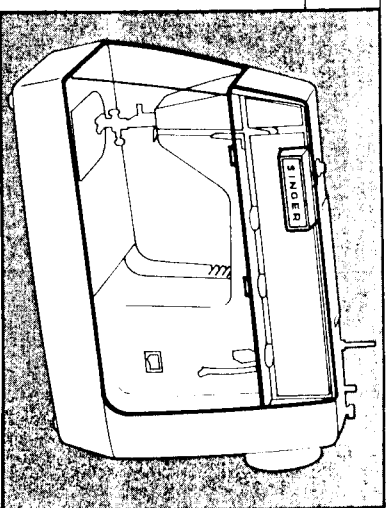
Sub. Ass.	ILLUS. REF. N°	Part N°	Part Description		
				2XX	1XX
	1	319523 179802	Control panel Control panel	X	X
		319502-001	Arm cover (front)	X	X
100	2	319774-001	Arm cover (front)	X	X
	3	319506	Arm cover (front) thread guide	X	X
	4	354141-451	Arm cover (front) thread guide screw	X	X
	5	354051-452	Arm cover (front) screw (lower, left)	X	X
	6	319503	Arm cover (front) screw (right end) spacer (plastic)	X	X
	7	139978-452	Arm cover (front) screw (upper, left & right) (2)	X	X
	8	139979-451	Arm cover (front) screw (lower, right)	X	X
	9	354050-451	Arm cover (front) screw (right end)	X	X
	10	319674	Light shield	X	X
	11	354084-451	Light shield screw (right)	X	X
	12	141848-819	Switch enclosure screw (2)	X	X
	13	603979-001	Switch enclosure	X	X
	14	179818	Arm cover (front) thread guide (lower) assembly	X	X



List of Parts for Machines 353 & 354

7

Sub. Ass. 2XX	ILLUS. REF. N°	Part N°	Part Description	353	354
200	100	1	Electrical equipment complete 120V		
		2	Light bracket spring screw		
		3	Light bracket spring		
		4	Light complete		
		4	Switch complete		
		5	Motor complete 120V		
		6	Mounting bracket screw (2)		
		6	Mounting bracket		
		7	Pulley assembly		
		8	Module mounting nut (2)		
	9	Commutator end housing			
	10	Brush spring (2)			
	11	Brush (2)			
	12	Module motor 120V			
	13	Dust cover retainer block			
	14	Dust cover			
	15	Dust cover screw			
	16	Machine mounting screw			
	17	Machine mounting screw washer			
	18	Belt			
19	Cords for foot controller				
20	Foot controller (618597-073-074-099 to 118)				
		604044-001			
		603976-001			
		604209-002			
		604437-001			
		603907-001			
		604008-002			
		619436-001			
		619435-001			
		603912-001			
		604013-001			
		604048-002			
		604016-001			
		604020-001			
		604018-002			
		603975-001			
		618633-000			
		618597			



SINGER
INSTRUCTIONS

Lite
Lightweight For
Lightweight For

With NEW
Elastic Stretch
Stitch

Model 354
Model 353

List of Parts for Machines 353 & 354

8

Sub. Ass.	ILLUS. REF. N°	Part N°	Part Description	Machine	
				353	354
2XX	1XX				
	100				
	1	319565-451	Machine cover complete	X	X
	2	319570-451	Machine cover lid releasing button plastic	X	X
	3	319571	Machine cover lid catch	X	X
	3	179827	Machine cover lid releasing button spring	X	X
	4	139985-452	Machine cover lid releasing button mounting bracket screw (2)	X	X
	5	319710-451	Machine cover lid releasing button mounting bracket	X	X
	6	319569	Machine cover lid	X	X
	7	139986-451	Machine cover lid hinge screw (2)	X	X
	8	319689	Machine cover lid hinge body (lower) (2)	X	X
	9	319575-451	Machine cover lid hinge spring (left)	X	X
	10	179789-451	Machine cover	X	X
	11	B 214	Instruction book	X	
	11	B 254	Instruction book		X
	101				
	12	171492	Attachment set complete	X	X
	13	171469	Attachment pouch (plastic)	X	X
	14	319914	Arm cover (back) spool pin washer (felt)	X	X
	14	172336	Bobbins (3)	X	X
	15	103488	Needle pack (plastic)	X	X
	16	161963	Blindstitch guide (non-adjustable)	X	X
	17	171498	Special purpose presser foot plate	X	X
	18	507836	Presser foot plate (snap-on) complete for cording and slide fasten.	X	X
	19	161894	Throat plate raising plate	X	X