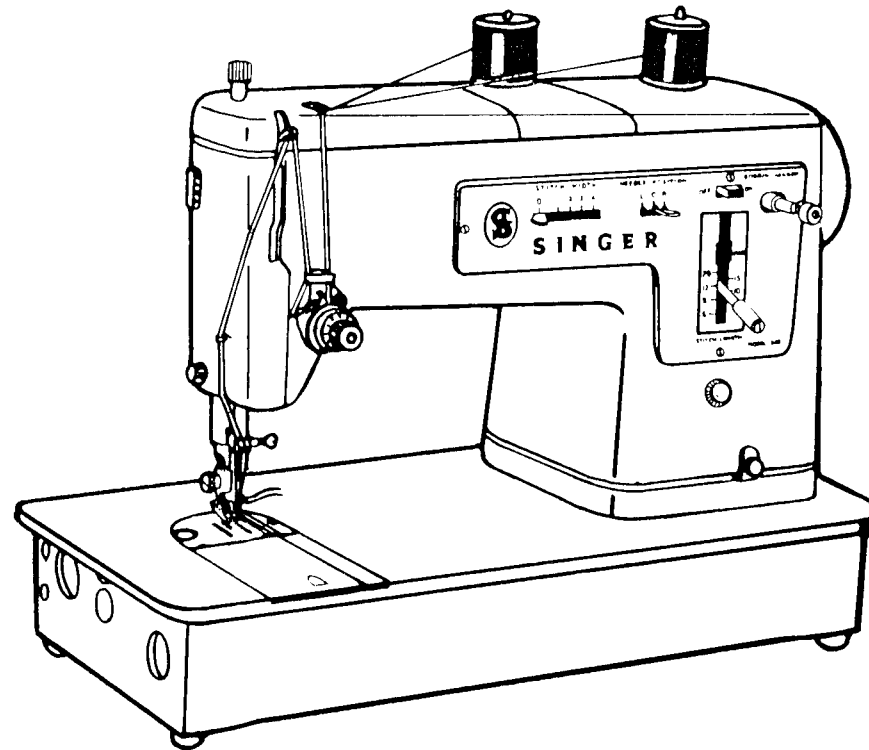


SINGER
348K

List of Parts—SINGER* Machine No. 348K

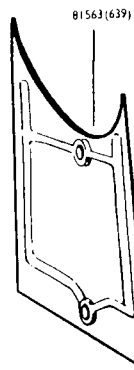
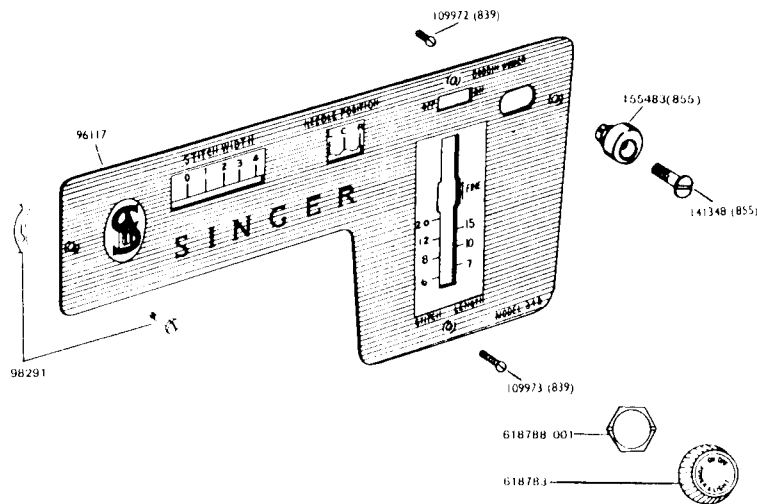


ATTACHMENT SET 101540

- | | |
|-------------|----------------------|
| 32773 | Presser Foot |
| 161127 | Zipper Foot |
| 161172 | Seam Guide |
| 161295 | Screwdriver (SM) |
| 161609 | Tube of Oil |
| 161613 | Presser Foot |
| 161612 | Button Foot |
| 161894 | Raising Plate |
| 161895 | Throat Plate |
| 172336 | Bobbin (Plastic) (3) |
| 276302 | Fashion Disc 2 |
| 276303 | Fashion Disc 3 |
| 276305 | Fashion Disc 5 |
| 276306 | Fashion Disc 6 |
| 276308 | Fashion Disc 8 |
| 276309 | Fashion Disc 9 |
| 276310 | Fashion Disc 10 |
| 276312 | Fashion Disc 12 |
| 276313 | Fashion Disc 13 |
| 276319 | Fashion Disc 19 |
| 276321 | Fashion Disc 21 |
| 276326 | Fashion Disc 26 |
| 276331 | Fashion Disc 31 |
| 2020(15x1) | Needles 14 (3) |
| 21475(Rev.) | Instruction Book |

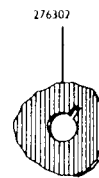
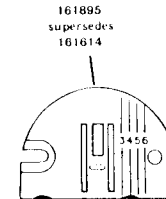
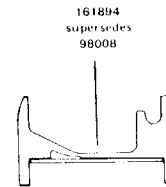
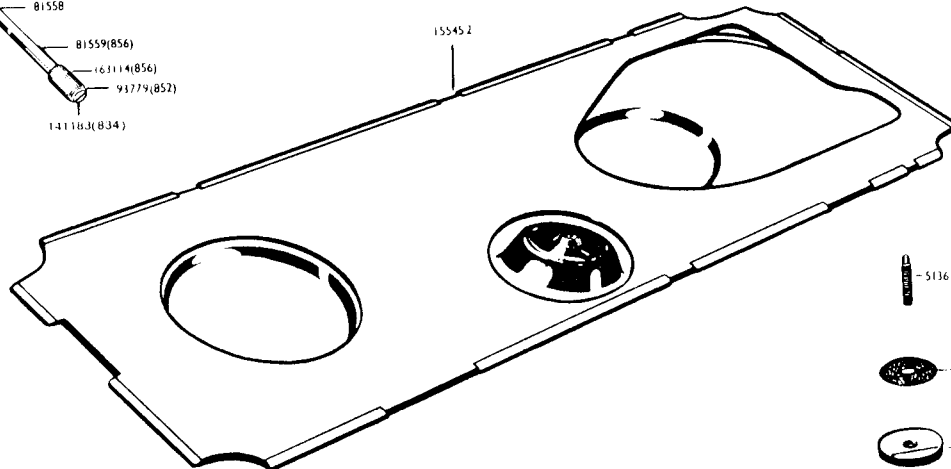
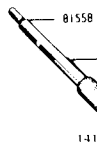
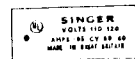
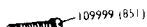


List of Parts—Machine No. 348K

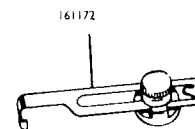
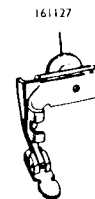


98010-012
 81563(639) 98009-012

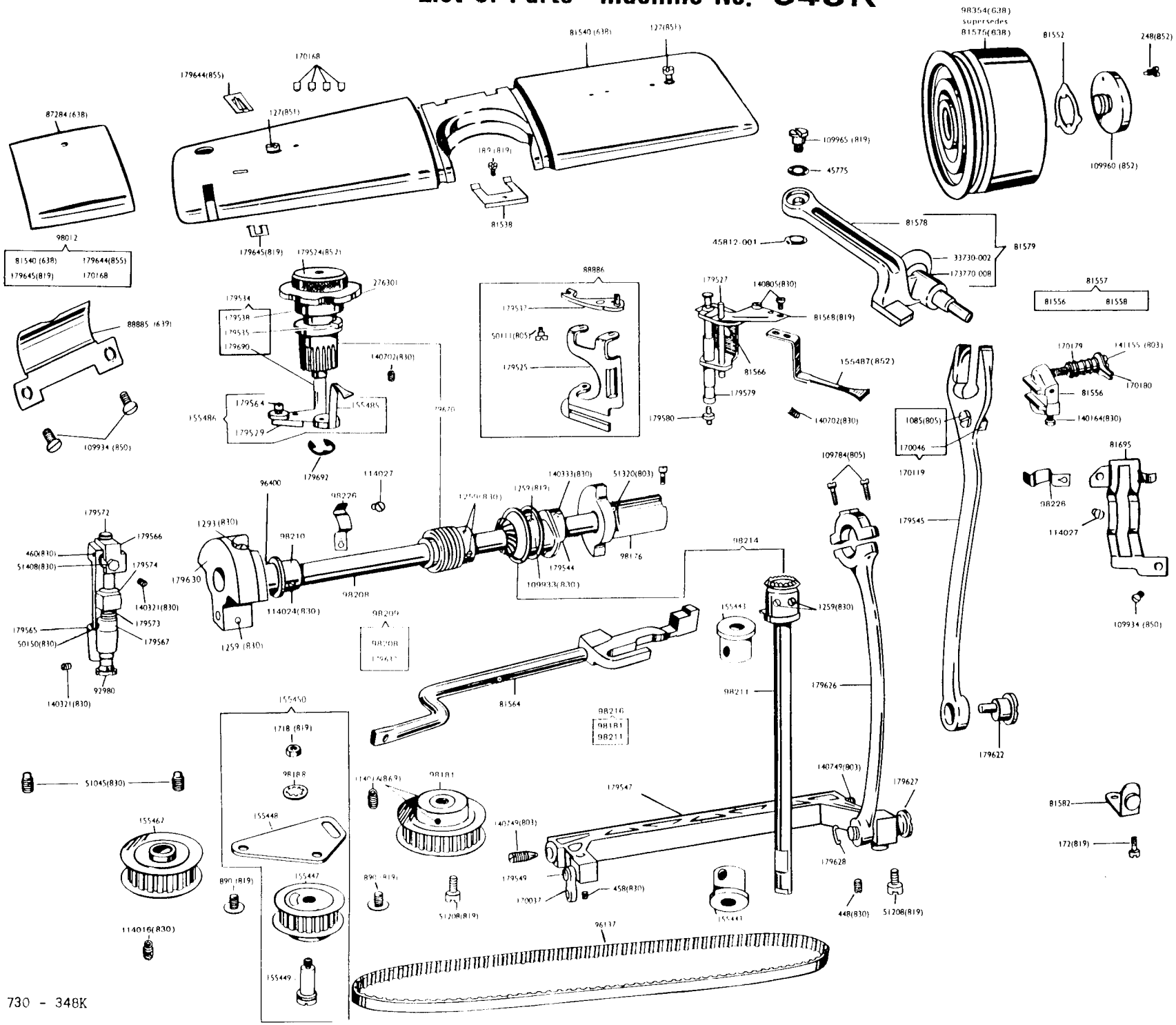
Suffix varies according to voltage.
 See Parts List Section.



For other discs see
 Parts List Section
 No. 276302 to 276331

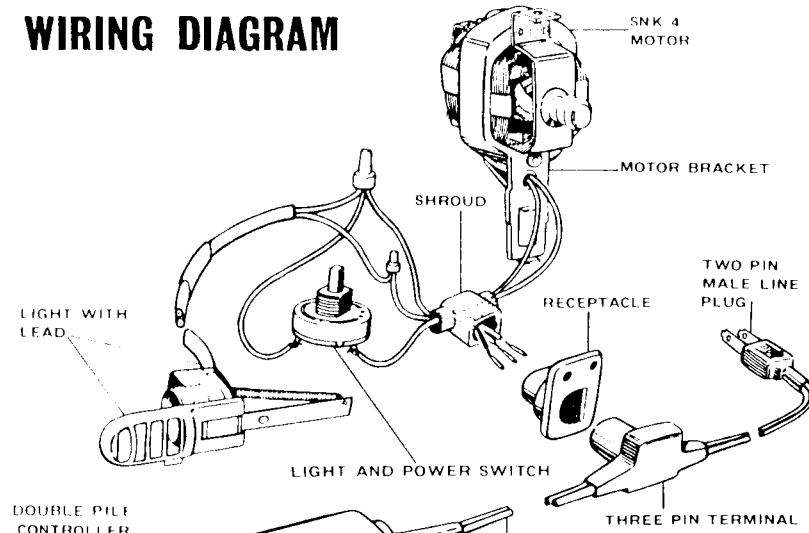


List of Parts—Machine No. 348K

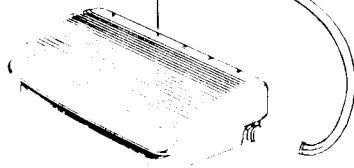


SINGER[®] SNK 4/ENK 4 for 337K, 338K, 347K & 348K Machines

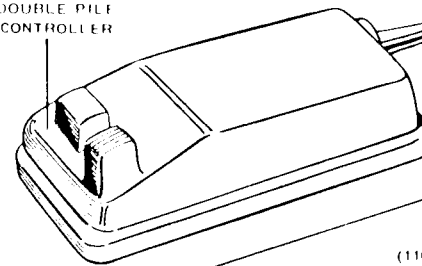
WIRING DIAGRAM



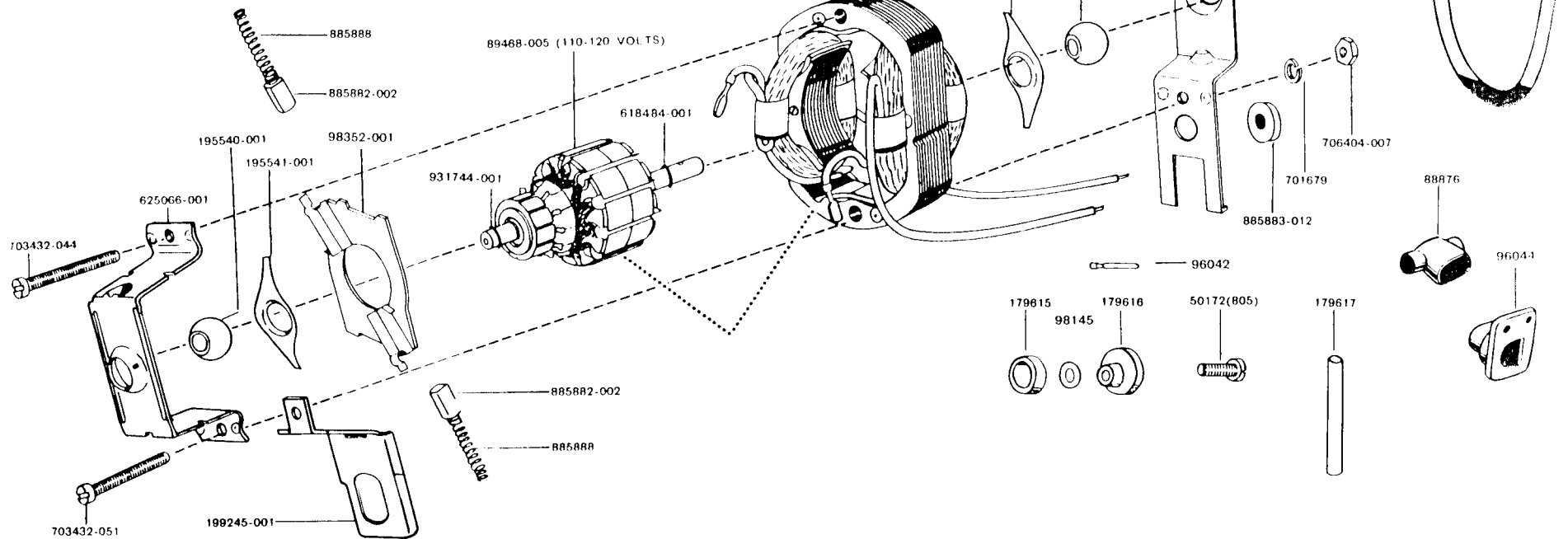
SINGLE PILE CONTROLLER



DOUBLE PILE CONTROLLER

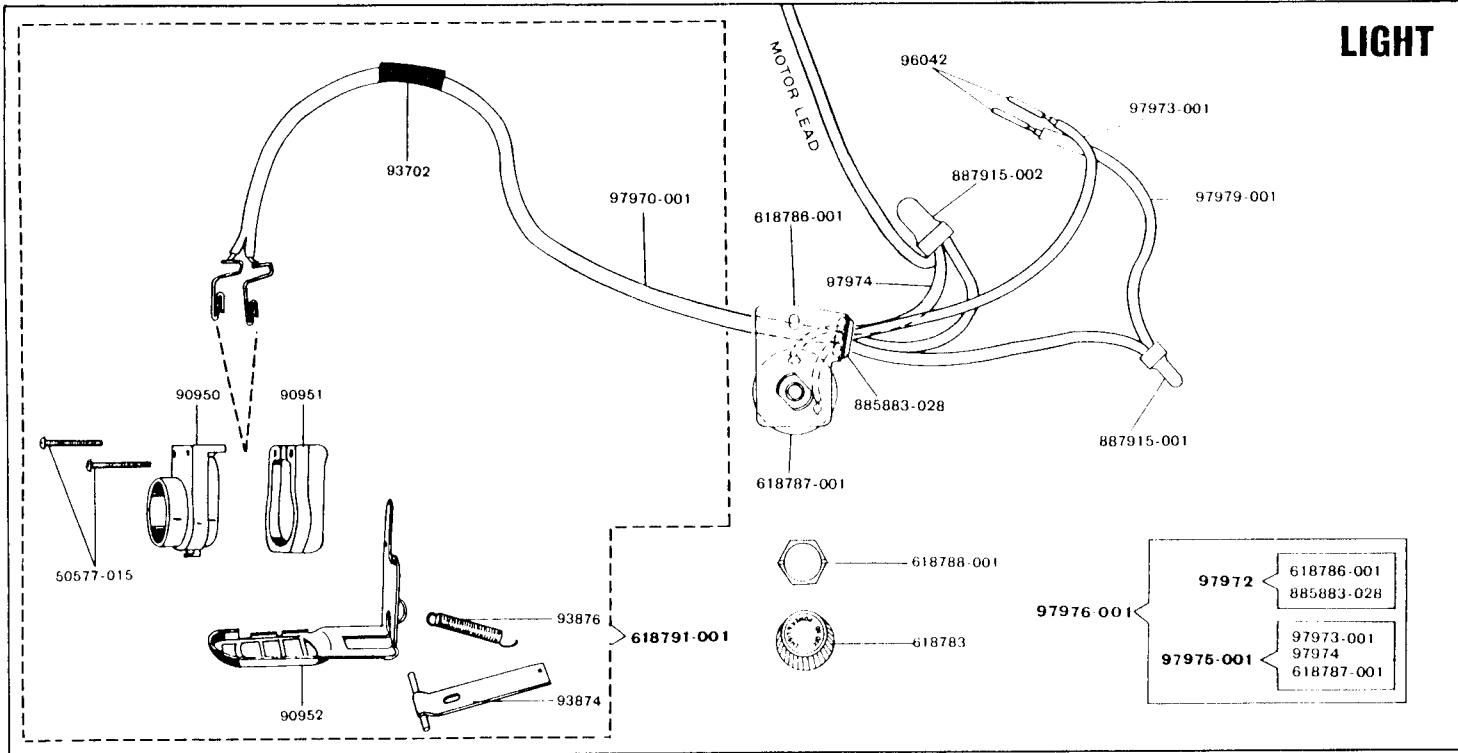


CONTROLLER LEAD



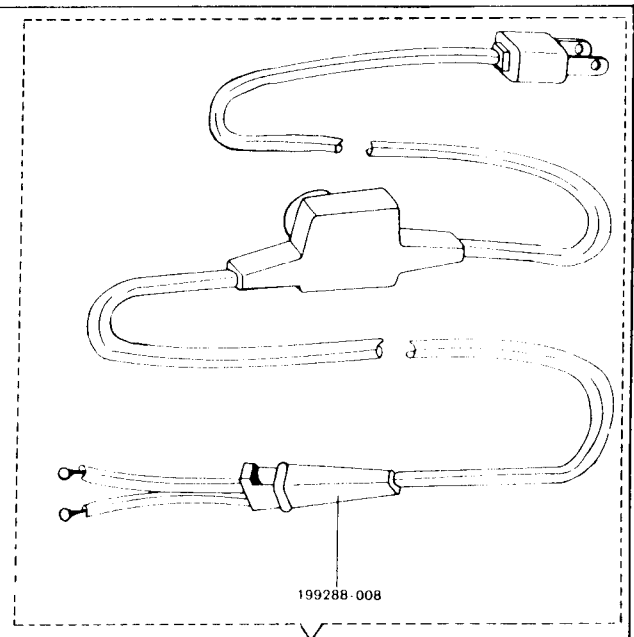
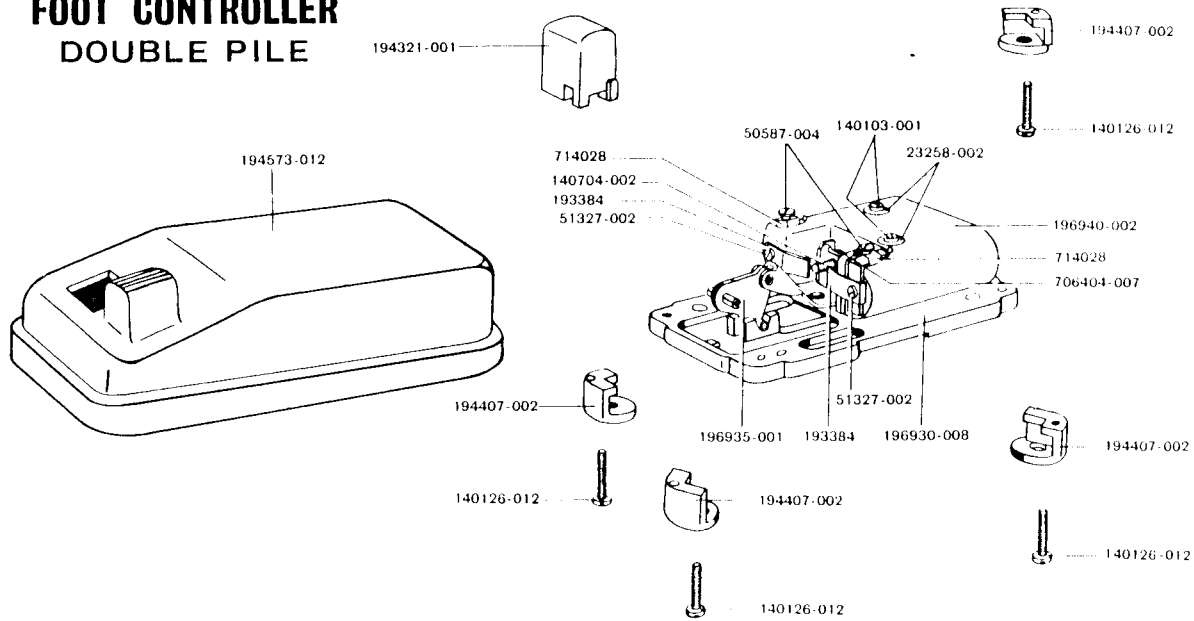
SNK 4/ENK 4 MOTOR

LIGHT



89480-017 (95-145 VOLTS)

**FOOT CONTROLLER
DOUBLE PILE**



89478-002

**FOOT CONTROLLER
SINGLE PILE**

SNK 4/ENK 4 MOTOR

618776 004 (95 - 145 VOLTS)

