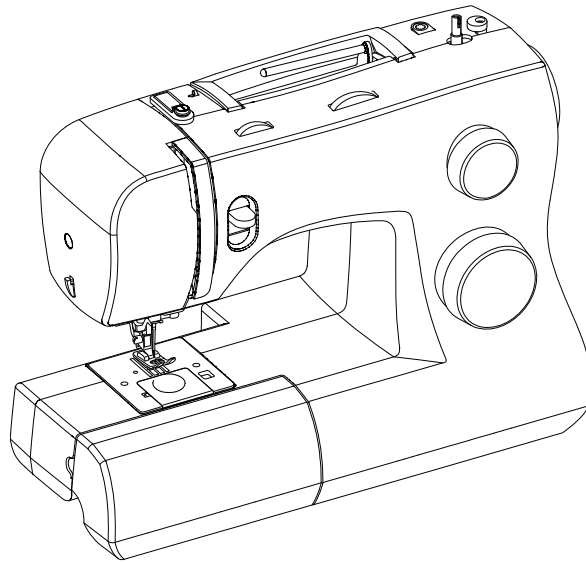




**SINGER®**

3323

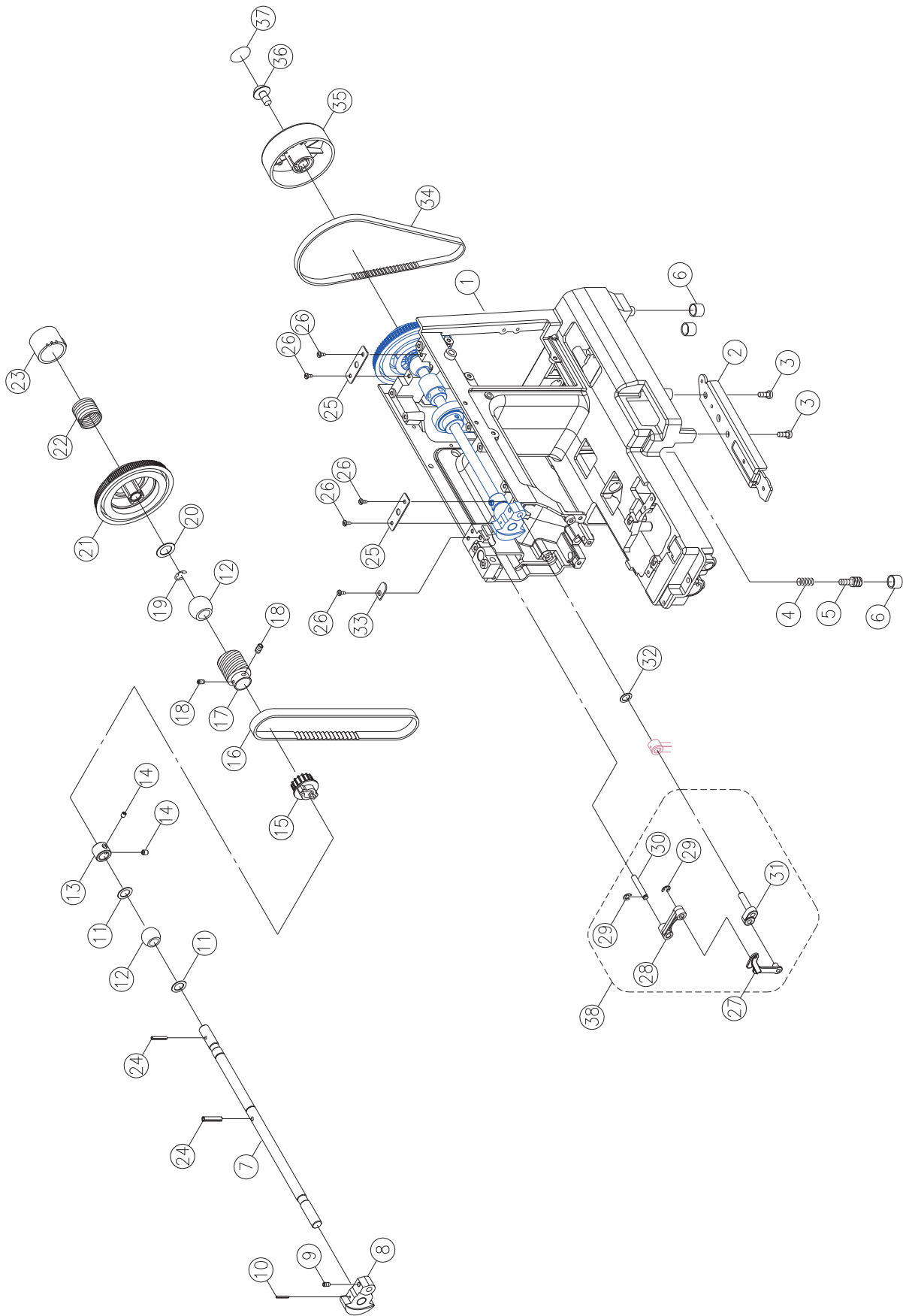
3321



Liste de pièces  
Lista de Piezas  
Parts List

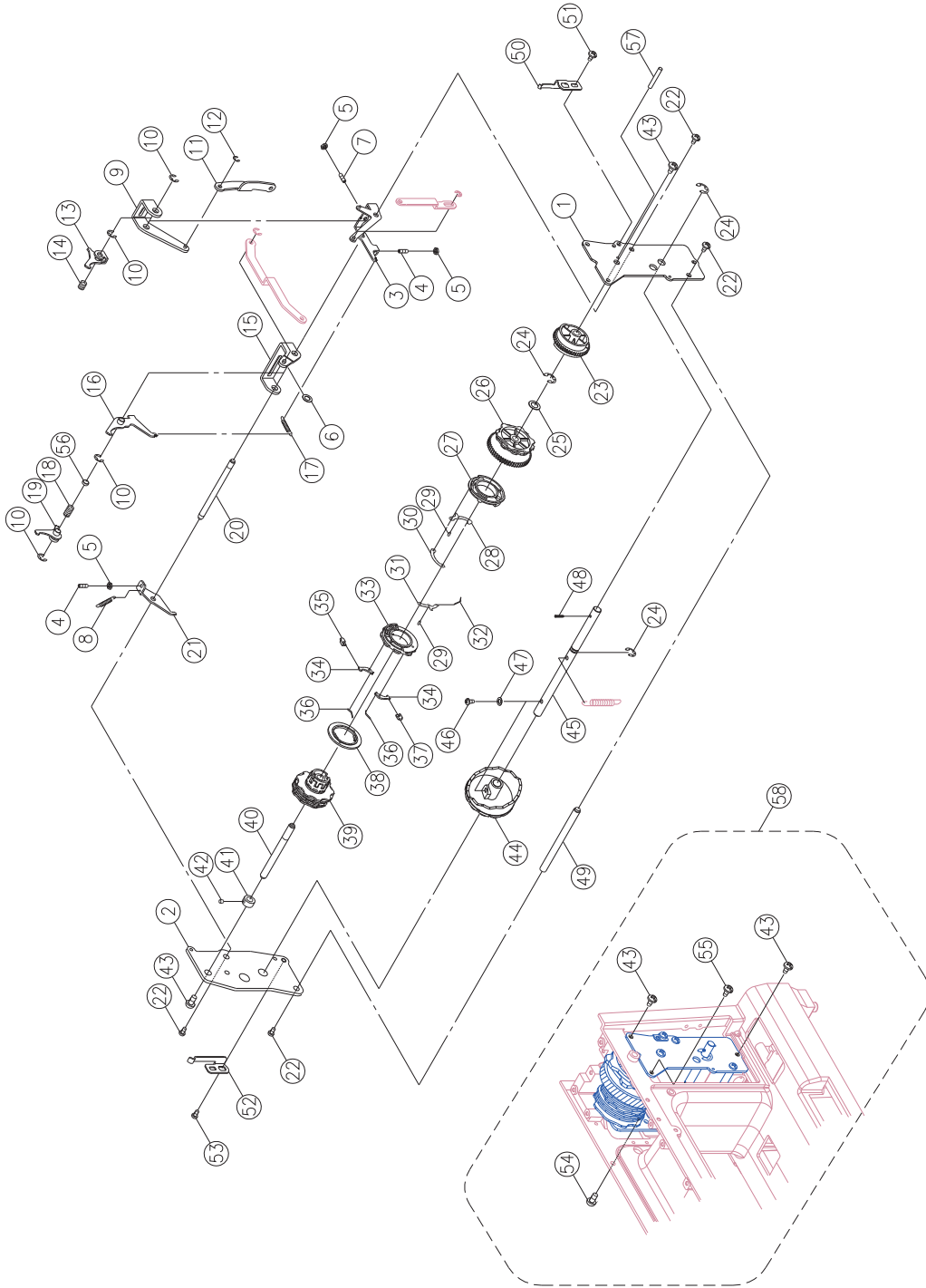
® A registered trademark of The Singer Company Ltd. or its affiliates.  
® *Una marca registrada de The Singer Company Ltd. o sus afiliados.*  
® *Une marca déposée de The Singer Company Ltd. ou ses filiales.*

# A



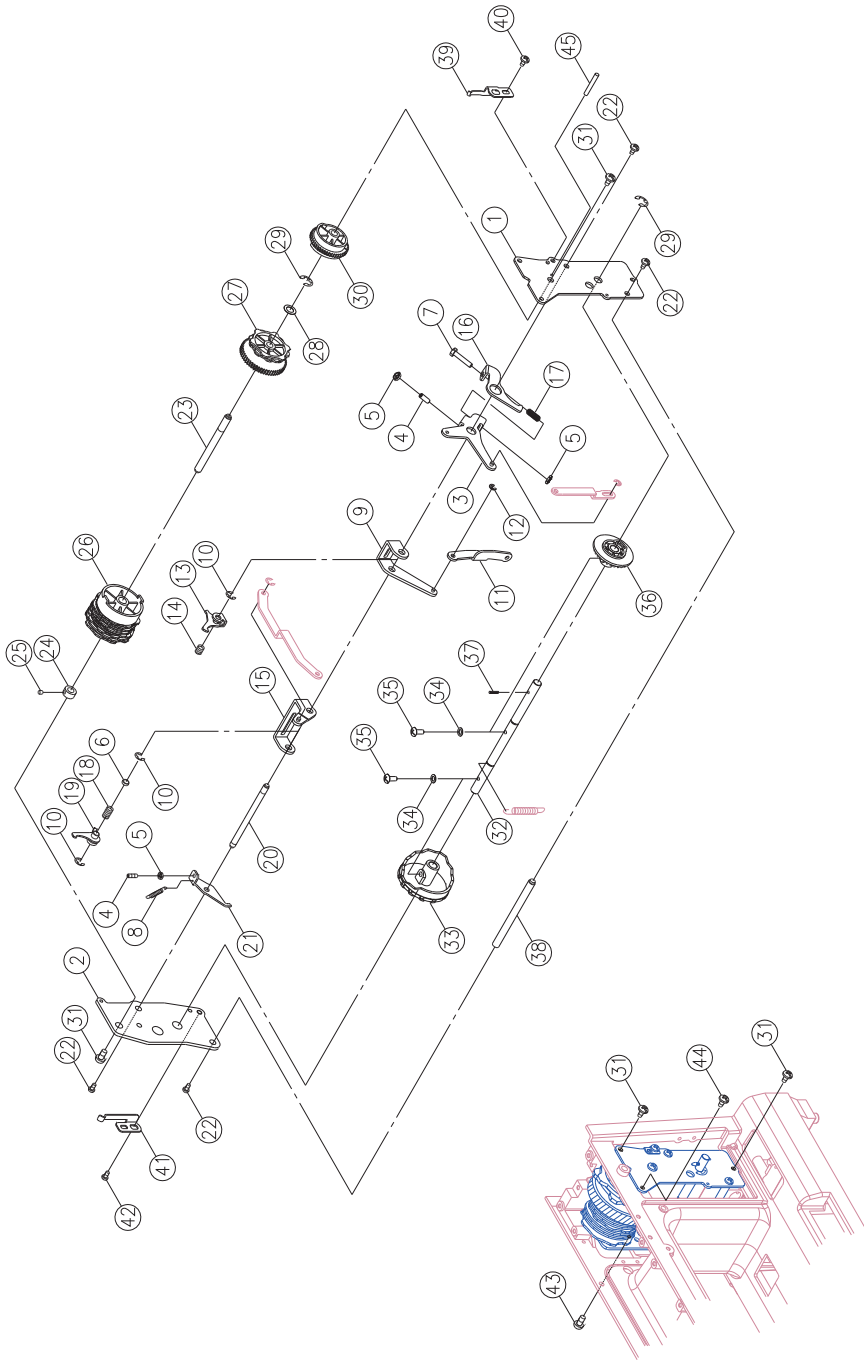
#	Part Number	Description
1	N/S	ARM
2	416596401	FREE ARM FOOT
3	416185701	SET SCREW (M6×10 )
4	416154401	SPRING
5	416154601	ADJUSTMENT SCREW
6	270 K6A0063000	FREE ARM BASE CUSHION
7	416427401	ARM SHAFT
8	416566401	ARM SHAFT BALANCE
9	416122101	SET SCREW(M4×6 C)
10	416117701	ARM SHAFT BALANCE PIN (φ3.5×24)
11	416125101	ENDURE ATTRITION WASHER (10.2×15×0.5)
12	416156301	ARM SHAFT BUSING
13	416765101	ARM SHAFT COLLAR
14	416121001	SET SCREW(M4×5 C)
15	416680201	ARM SHAFT SPROCKET
16	416727301	MOTOR DRIVE BELT (83XL)
17	416542601	ARM SHAFT WORM
18	416122401	SET SCREW(M4×4 C)
19	416116501	E-RING(ETW-9)
20	416124701	WASHER(10.2×15×0.5)
21	416427801	ARM SHAFT DRIVER BELT PULLEY
22	416156601	ARM SHAFT CLUTCH ANNULUS SPRING
23	270 R10403000	ARM SHAFT COLLAR
24	416117601	SPRING PIN(φ3×18)
25	416161701	ARM SHAFT BUSHING HOLDER PLATE
26	416121501	SET SCREW(M4×8 A)
27	416765201	THREAD TAKE UP LEVER
28	416147701	THREAD TAKE UP LEVER SUPPORTER
29	416116001	E-RING (ETW-3)
30	270 V60223003	THREAD TAKE UP LEVER SUPPORTER SHAFT
31	416765301	ARM SHAFT BALANCE PIN COMPLETE
32	270 0044000020	ENDURE ATTRITION WASHER (6.2×12×0.25)
33	416152201	SET WASHER
34	416427701	MOTOR DRIVE BELT
35	416596701	HAND WHEEL
36	270 0042500016	SET SCREW (M5X10)
37	270 V16893210	HAND WHEEL DECORATED PLATE
38	416765401	THREAD TAKE UP LEVER COMPLETE

# B

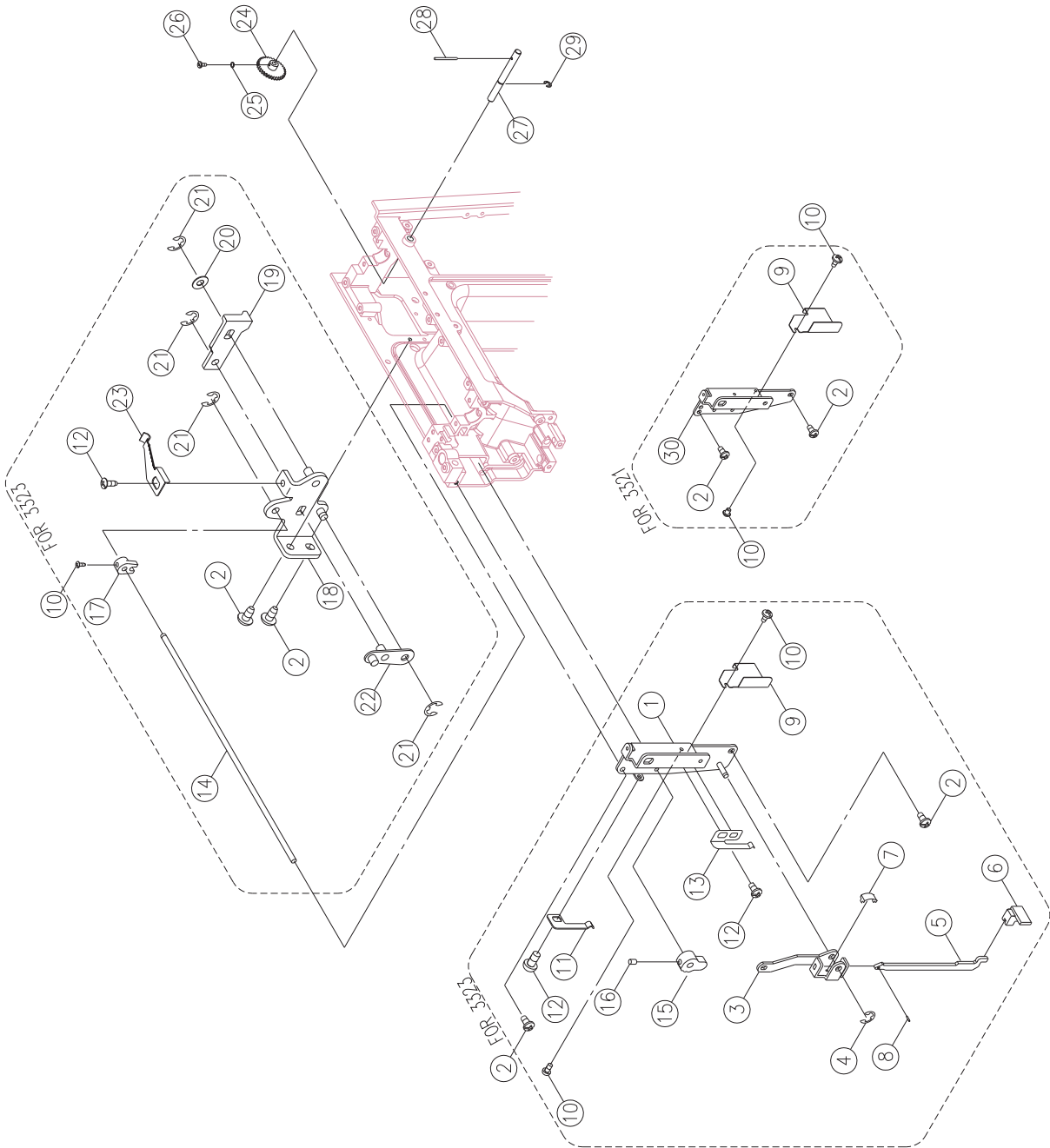


#	Part Number	Description	
1	416596801	PATTERN CAM CONTACT PLATE (FRONT)	FOR 3323
2	416543701	PATTERN CAM CONTACT PLATE (BACK)	FOR 3323
3	416545601	BH ADJUST CRANK	FOR 3323
4	416185501	SET SCREW (M4×0.7 L9)	FOR 3323
5	416126801	NUT ( ALN-4 )	FOR 3323
6	416597101	WASHER(φ6.6×φ14×1)	FOR 3323
7	416122701	SET SCREW (M4×0.7 L12)	FOR 3323
8	416545001	ZIGZAG RELEASE PLATE SPRING	FOR 3323
9	416597301	SS CAM CONTACT SUPPORTER COMPLETE	FOR 3323
10	416183801	E-RING ( ETW-5 )	FOR 3323
11	416597401	FEED ROCK SHAFT	FOR 3323
12	416116001	E-RING (ETW-3)	FOR 3323
13	416597501	SS CAM CONTACT	FOR 3323
14	416166401	SS CAM CONTACT SPRING	FOR 3323
15	416545101	ZIGZAG CAM CONTACT SUPPORTER	FOR 3323
16	416545201	BH FEED CRANK	FOR 3323
17	416187301	BH FEED CRANK SPRING	FOR 3323
18	416517801	ZIGZAG CAM CONTACT SPRING	FOR 3323
19	416545501	ZIGZAG CAM CONTACT	FOR 3323
20	416598001	ZIGZAG CAM CONTACT SUPPORTER SHAFT	FOR 3323
21	416544901	ZIGZAG RELEASE PLATE	FOR 3323
22	416119701	SET SCREW (M3×8 B)	FOR 3323
23	270 K6B0033000	FEED REGULATOR CAM	FOR 3323
24	416116401	E-RING ( ETW-6 )	FOR 3323
25	416228101	WASHER(φ8.2×φ14×0.5)	FOR 3323
26	416427901	SS CAM	FOR 3323
27	416543901	BH FEED REGULATOR CAM	FOR 3323
28	416544001	BH CLUTCH CONTACT A	FOR 3323
29	416229201	BH CLUTCH SHAFT	FOR 3323
30	416544101	BH CLUTCH LEVER	FOR 3323
31	416544201	BH CLUTCH CONTACT B	FOR 3323
32	416229601	BH CLUTCH SPRING PLATE	FOR 3323
33	416544301	BH CAM	FOR 3323
34	416544401	BH CONTACT	FOR 3323
35	416544501	BH SLIDE BLOCK R	FOR 3323
36	416544601	BH CONTACT SPRING PLATE	FOR 3323
37	416544701	BH SLIDE BLOCK L	FOR 3323
38	416544801	STRAIGHT STITCH CAM	FOR 3323
39	270 K6A0263000	PATTERN CAM	FOR 3323
40	416543801	PATTERN CAM SHAFT	FOR 3323
41	270 G2D0335000	PATTERN CAM SHAFT COLLAR	FOR 3323
42	416122401	SET SCREW (M4×4 C)	FOR 3323
43	416121501	SET SCREW (M4×8 A)	FOR 3323
44	416546201	PATTERN SELECTOR CAM	FOR 3323
45	416599501	PATTERN SELECTOR CAM SHAFT	FOR 3323
46	416185201	SET SCREW (M4×10)	FOR 3323
47	416185901	WASHER (φ4.2×φ9×0.5 )	FOR 3323
48	416183901	SPRING PIN (φ2.5×16)	FOR 3323
49	416546401	PATTERN CAM CONTACT SUPPORTER SHAFT	FOR 3323
50	416546501	FEED REGULATOR FIX PLATE	FOR 3323
51	416524501	SET SCREW (M4×4 B)	FOR 3323
52	416195301	PATTERN FIX SPRING PLATE	FOR 3323
53	416226601	SET SCREW(M4×5 B)	FOR 3323
54	416121101	SET SCREW(M4×10 B)	FOR 3323
55	416121301	SET SCREW(M4×8 B)	FOR 3323
56	416545301	SPRING PEDESTAL	FOR 3323
57	416547101	SPRING PIN (?2.5×10)	FOR 3323
58	416530901	PATTERN CAM CONTACT COMPLETE 3323	FOR 3323

# B



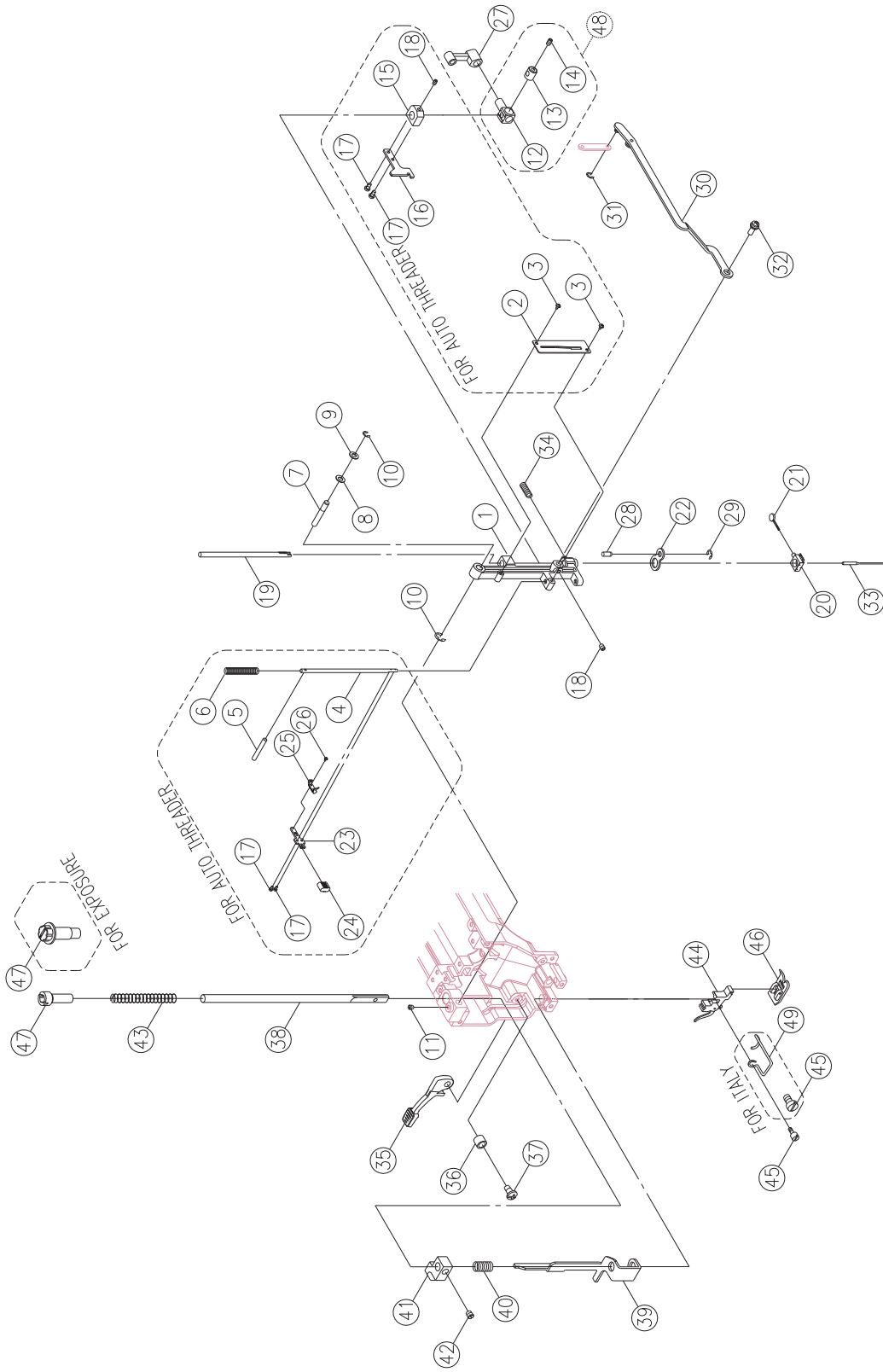
#	Part Number	Description	
1	416596801	PATTERN CAM CONTACT PLATE (FRONT)	FOR 3321
2	416543701	PATTERN CAM CONTACT PLATE (BACK)	FOR 3321
3	416545601	FEED ADJUST CRANK	FOR 3321
4	416185501	SET SCREW (M4×0.7 L9)	FOR 3321
5	416126801	NUT ( ALN-4 )	FOR 3321
6	416545301	SPRING PEDESTAL	FOR 3321
7	270 004240706	SET SCREW (M4×20)	FOR 3321
8	416545001	ZIGZAG RELEASE PLATE SPRING	FOR 3321
9	416597301	SS CAM CONTACT SUPPORTER COMPLETE	FOR 3321
10	416183801	E-RING ( ETW-5 )	FOR 3321
11	416597401	FEED ROCK SHAFT	FOR 3321
12	416116001	E-RING (ETW-3)	FOR 3321
13	416597501	SS CAM CONTACT	FOR 3321
14	416166401	SS CAM CONTACT SPRING	FOR 3321
15	416545101	ZIGZAG CAM CONTACT SUPPORTER	FOR 3321
16	416554801	BH FEED CRANK	FOR 3321
17	270 V60813003	BH SPRING	FOR 3321
18	416517801	ZIGZAG CAM CONTACT SPRING	FOR 3321
19	416545501	ZIGZAG CAM CONTACT	FOR 3321
20	416598001	ZIGZAG CAM CONTACT SUPPORTER SHAFT	FOR 3321
21	416544901	ZIGZAG RELEASE PLATE	FOR 3321
22	416119701	SET SCREW (M3×8 B)	FOR 3321
23	416543801	PATTERN CAM SHAFT	FOR 3321
24	270 G2D0335000	PATTERN CAM SHAFT COLLAR	FOR 3321
25	416122401	SET SCREW (M4×4 C)	FOR 3321
26	416430101	PATTERN CAM	FOR 3321
27	416427901	SS CAM	FOR 3321
28	416228101	WASHER(φ8.2×φ14×0.5)	FOR 3321
29	416116401	E-RING ( ETW-6 )	FOR 3321
30	270 K6B0033000	FEED REGULATOR CAM	FOR 3321
31	416121501	SET SCREW (M4×8 A)	FOR 3321
32	416604301	PATTERN SELECTOR CAM SHAFT	FOR 3321
33	416554901	PATTERN SELECTOR CAM	FOR 3321
34	416185901	WASHER (φ4.2×φ9×0.5 )	FOR 3321
35	416185201	SET SCREW (M4×10)	FOR 3321
36	416604401	BH PATTERN SELECTOR CAM	FOR 3321
37	416183901	SPRING PIN (φ2.5×16)	FOR 3321
38	416546401	PATTERN CAM CONTACT SUPPORTER SHAFT	FOR 3321
39	416546501	FEED REGULATOR FIX PLATE	FOR 3321
40	416524501	SET SCREW (M4×4 B)	FOR 3321
41	416195301	PATTERN FIX SPRING PLATE	FOR 3321
42	416122401	SET SCREW(M4×5 B)	FOR 3321
43	416121101	SET SCREW(M4×10 B)	FOR 3321
44	416121301	SET SCREW(M4×8 B)	FOR 3321
45	416530901	SPRING PIN (φ2.5×10)	FOR 3321





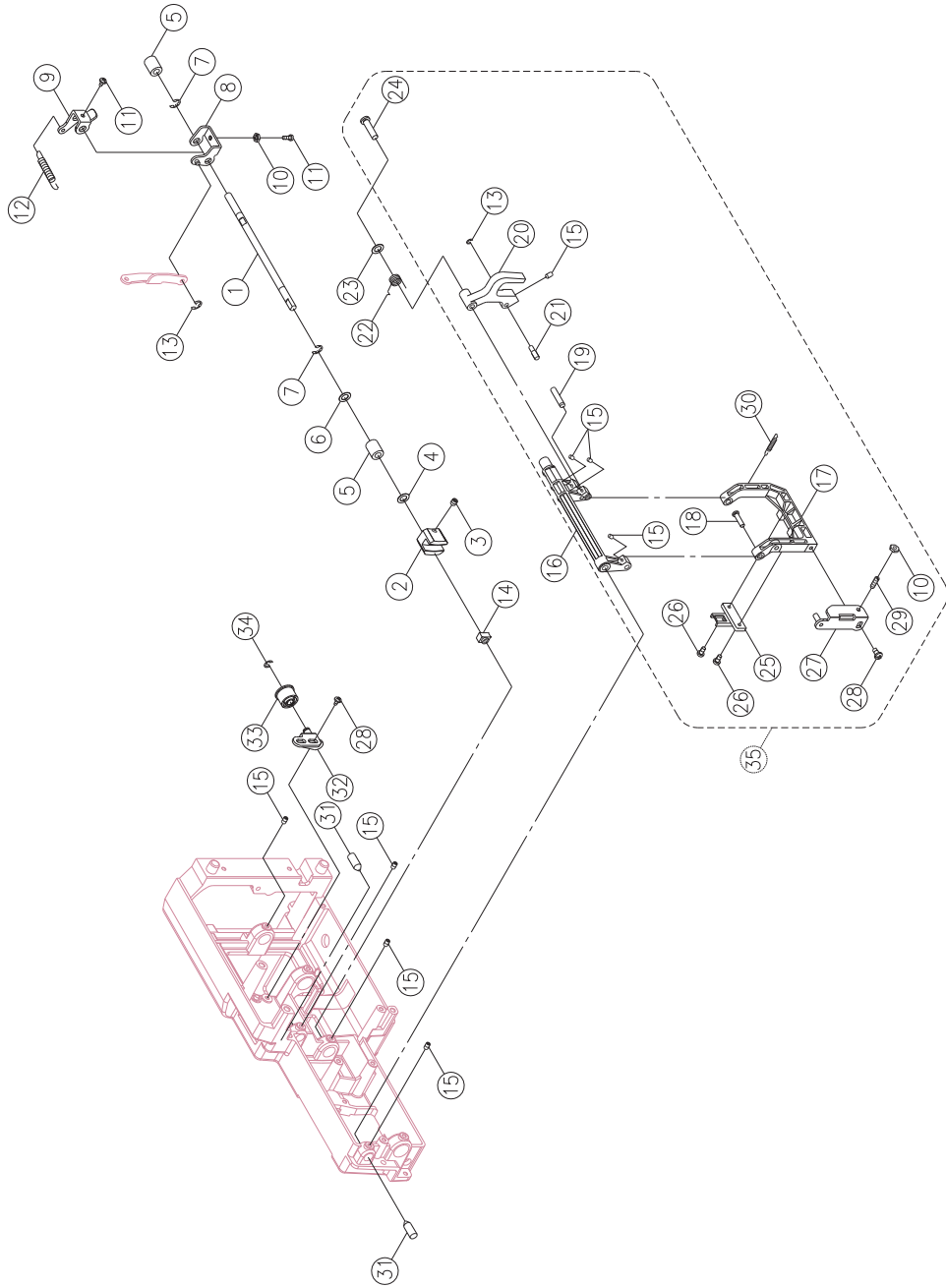
#	Part Number	Description	
1	270 K6A0903006	BH LEVER PLATE	FOR 3323
2	416121201	SET SCREW(M4×6 B)	
3	416547901	BH LEVER CRANK	FOR 3323
4	270 003010033	E-RING(ETW-3)	FOR 3323
5	416495301	BH LEVER	FOR 3323
6	416413301	BH LEVER BUTTON	FOR 3323
7	416548201	BH LEVER SPRING PLATE	FOR 3323
8	270 003041605	SPRING PIN (?1.6×5)	
9	416232501	HEAT SHIELD	
10	270 004230056	SET SCREW (M3×5 B)	
11	416548401	BH POSITIONED PLATE	FOR 3323
12	416226601	SET SCREW (M4×5 B)	FOR 3323
13	416232001	BH POSITIONED PLATE	FOR 3323
14	270 E1A1433003	BH SELECT CRANK SHAFT	FOR 3323
15	416231801	BH MOVEMENT CRANK	FOR 3323
16	416120001	SET SCREW (M3×3 C)	FOR 3323
17	416600701	BH SELECT CRANK	FOR 3323
18	416547401	BH SELECTOR PLATE	FOR 3323
19	416600901	BH SLIDE PLATE	FOR 3323
20	416185901	WASHER(4.2×9×0.5)	FOR 3323
21	416116001	E-RING(ETW-3)	FOR 3323
22	416547601	BH SELECTOR PLATE	FOR 3323
23	416547701	BH CAM PLATE	FOR 3323
24	416195501	FEED REGULATOR GEAR	
25	416186101	WASHER (3.2×8×0.8)	
26	416119701	SET SCREW (M3×8 B)	
27	416601201	FEED REGULATOR DIAL SHAFT	
28	416183901	SPRING PIN (?2.5×16)	
29	416116301	E-RING (ETW-5)	
30	416555301	LAMP BRACKET	FOR 3321

# D

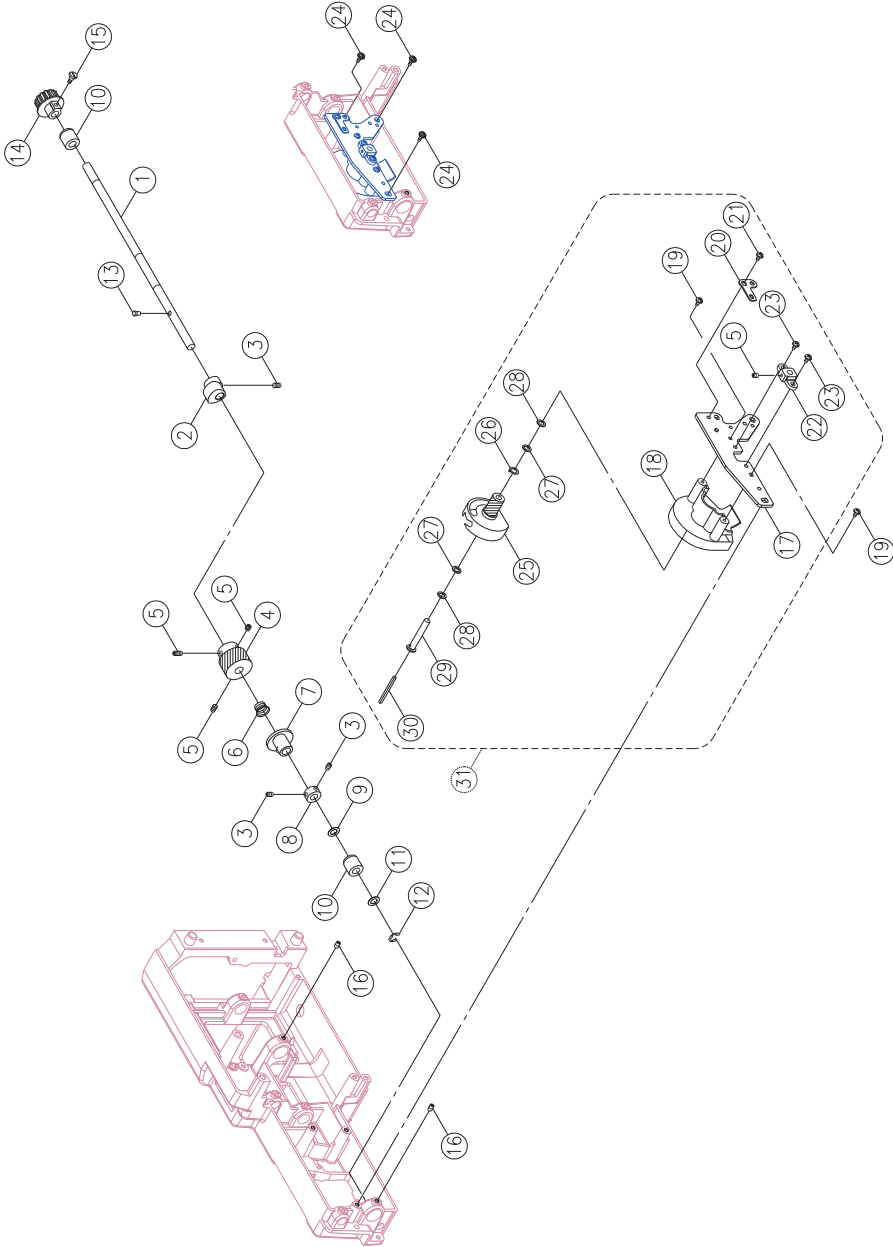


TAKE CARE THE CIRCLED PARTS FOR THE MODEL YOU WANT.

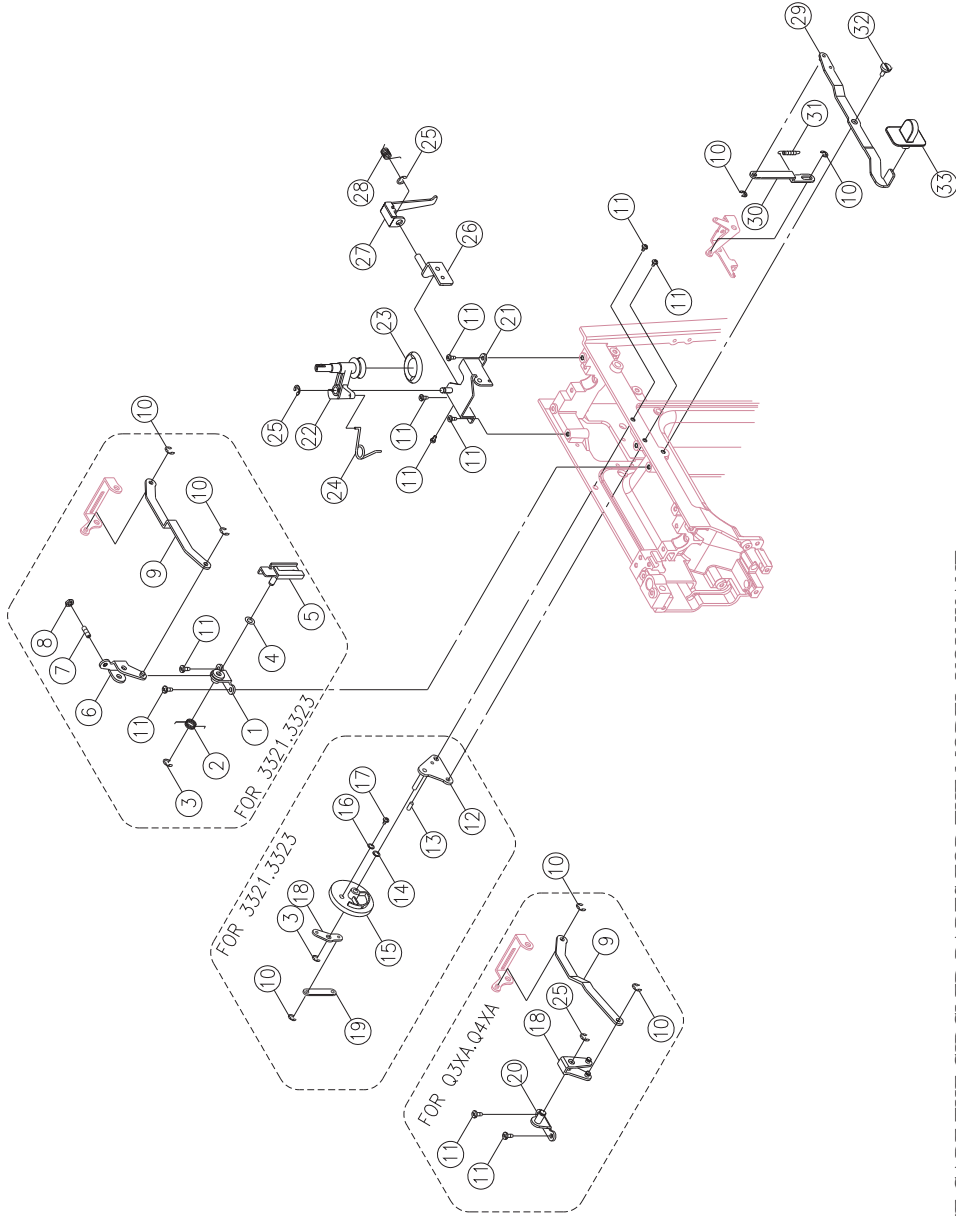
#	Part Number	Description	
1	270 Q6A0053000	NEEDLE BAR SUPPORTER	FOR AUTO THREADER
1	416765501	NEEDLE BAR SUPPORTER	
2	416189801	THREADING GUIDE	FOR AUTO THREADER
3	416119201	SET SCREW (M3×6 A)	FOR AUTO THREADER
4	416189901	THREADING SHAFT	FOR AUTO THREADER
5	416184001	PIN (?2×14)	FOR AUTO THREADER
6	270 P3A0253003	THREADING SHAFT SPRING	FOR AUTO THREADER
7	416189301	NEEDLE BAR SUPPORTER PIN	
8	416186901	WASHER (WW-6)	
9	416185801	WASHER (6.5×13×1)	
10	270 003010046	E-RING (ETW-4)	
11	416121001	SET SCREW (M4×5 C)	
12	416150801	NEEDLE BAR BRACKET (1)	
13	416150801	NEEDLE BAR BRACKET (2)	
14	416122401	SET SCREW (M4×4 C)	
15	416189601	THREADING STOPPER	FOR AUTO THREADER
16	416189701	THREADING STOP HOLDER	FOR AUTO THREADER
17	416184401	SET SCREW (M2×4)	FOR AUTO THREADER
18	416184601	SET SCREW (M3×4 C)	FOR AUTO THREADER
19	416173601	NEEDLE BAR	
20	416245301	NEEDLE CLAMP	
21	416245301	NEEDLE CLAMP SET SCREW	
22	270 Q6A0063003	NEEDLE BAR SUPPORTER	
23	416190201	THREADING PLATE	FOR AUTO THREADER
24	416190301	THREADING BUTTON	FOR AUTO THREADER
25	416190401	THREADING SHAFT COMPLETE	FOR AUTO THREADER
26	416184301	SET SCREW (M1.6×3)	FOR AUTO THREADER
27	416150101	NEEDLE BAR CRANK ROD	
28	416141301	NEEDLE BAR SUPPORTER PLATE PIN	
29	416116101	E-RING (ETW-4)	
30	416601301	NEEDLE BAR DRIVING ROD	
31	416116001	E-RING (ETW-3)	
32	416408701	NEEDLE BAR DRIVING ROD PIN	
33		NEEDLE	
34	416152701	NEEDLE BAR SUPPORTER SPRING	
35	416466901	PRESSER BAR LIFTER LEVER	
36	416162101	PRESSER BAR LIFTER LEVER SCREW WASHER	
37	416121101	SET SCREW (M4×10 B)	
38	416173401	PRESSER BAR	
39	416730201	TENSION LEVER LIFTER	
40	270 H10723003	TENSION LEVER LIFTER SPRING	
41	416151501	PRESSER BAR BRACKET	
42	416123801	SET SCREW(M6×5 C)	
43	416173501	PRESSER BAR SPRING	
44	416128201	SHANK COMPLETE	
45	416118401	SET SCREW (9/64×40×7.5)	
45	416765601	SHANK SCREW (9/64×40×9.5)	FOR FINGER PROTECTOR
46	416187101	ZIGZAG PRESSER FOOT (C)	
47	416515701	PRESSER BAR REGULATING SCREW	FOR NON-EXPOSURE(20110330)
47	416765701	PRESSER BAR REGULATING SCREW	FOR EXPOSURE
48	416150801	NEEDLE BAR BRACKET COMPLETE	
49	416765801	FINGER PROTECTOR	FOR ITALY



#	Part Number	Description
1	416601701	FEED REGULATING SHAFT
2	416149701	FEED REGULATING
3	416122401	SET SCREW (M4×4 C)
4	416125601	WASHER ( 6.7×11.8×0.5 )
5	416156901	FEED ROCK BUSHING
6	416124001	WASHER ( 6.7×12×1 )
7	416116601	E-RING ( ETW-5 )
8	416601801	FEED REGULATING CRANK COMPLETE
9	270 E1A0493003	FEED CRANK
10	416126801	ADJUSTING NUT (ALN-4)
11	416121101	SET SCREW ( M4×10 B )
12	416546301	FEED REGULATING CRANK SPRING
13	416116001	E-RING ( ETW-3 )
14	416149601	FEED REGULATING BLOCK
15	416122101	SET SCREW ( M4×6 C )
16	416191901	FEED ROCK SHAFT
17	416192001	FEED DOG SUPPORTER
18	416192101	FEED DOG SHAFT
19	270 E1A0403003	FEED ROCK FRAME SHAFT (2)
20	416192401	FEED ROCK CRANK
21	416192601	REGULATING BLOCK SHAFT
22	416195701	FEED ROCK CRANK SPRING
23	416186301	WASHER (5.2×12×1)
24	270 P3A0583003	FEED ROCK SHAFT
25	270 H1A0363000	FEED DOG
26	270 004235016	SET SCREW (M3.5×8 A)
27	416192301	FEED LIFTING ROCK CRANK
28	416121501	SET SCREW ( M4×8 A )
29	416185501	SET SCREW (M4×0.7 L9)
30	416192701	FEED DOG SPRING
31	416192801	FEED CRANK SHAFT
32	416683701	BELT ADJUSTING PLATE
33	416683901	BELT ADJUSTING PLATE PULLEY
34	416116101	E-RING (ETW-4)
35	416549301	FEED ROCK SHAFT COMPLETE



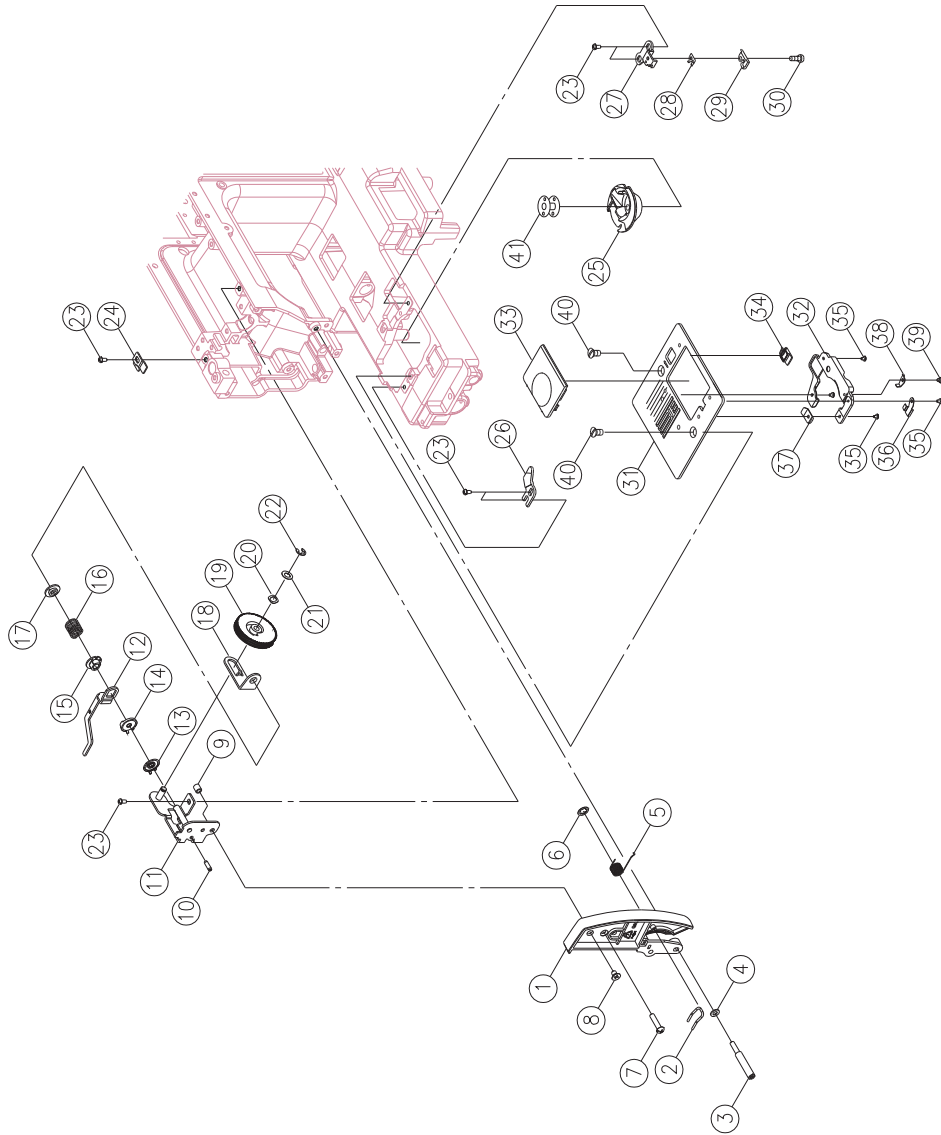
#	Part Number	Description
1	416549401	LOWER SHAFT
2	270 H1A1503000	FEED ROCK CAM
3	416122401	SET SCREW (M4×4 C)
4	416197201	LOWER SHAFT GEAR
5	416121001	SET SCREW(M4×5 C)
6	416191401	LOWER SHAFT SPRING
7	416191201	FEED LIFTING ROCK CAM
8	416520801	LOWER SHAFT COLLAR
9	416125801	ENDURE ATTRITION WASHER
10	416141701	LOWER SHAFT BUSHING
11	416186501	WASHER(8.2×12×0.5)
12	416116401	E-RING(ETW-6)
13	270 P3A0433003	FEED LIFTING ROCK COM PIN
14	416765901	LOWER SHAFT BELT PULLEY
15	416123601	SET SCREW(M5×5 C)
16	416122101	SET SCREW(M4×6 C)
17	270 H1A0383006	ROTARY HOOK HOLDER
18	416143601	NEEDLE PLATE COVER
19	416119501	SET SCREW(M3×12)
20	416191801	ROTARY HOOK HOLDER POSITIONED PLATE
21	416121201	SET SCREW(M4×6 B)
22	416143401	ROTARY HOOK SUPPORTER
23	416121501	SET SCREW(M4×8 A)
24	270 004240586	SET SCREW(M4×8)
25	270 Q6A0704000	SHUTTLE HOOK HOLDER
26	416155701	BOBBIN SHAFT WASHER (3)
27	416125901	ENDURE ATTRITION WASHER
28	416155601	BOBBIN SHAFT WASHER (2)
29	416145401	BOBBIN SHAFT
30	416155801	BOBBIN SHAFT OIL CLOTH
31	416467101	ROTARY HOOK HOLDER COMPLETE



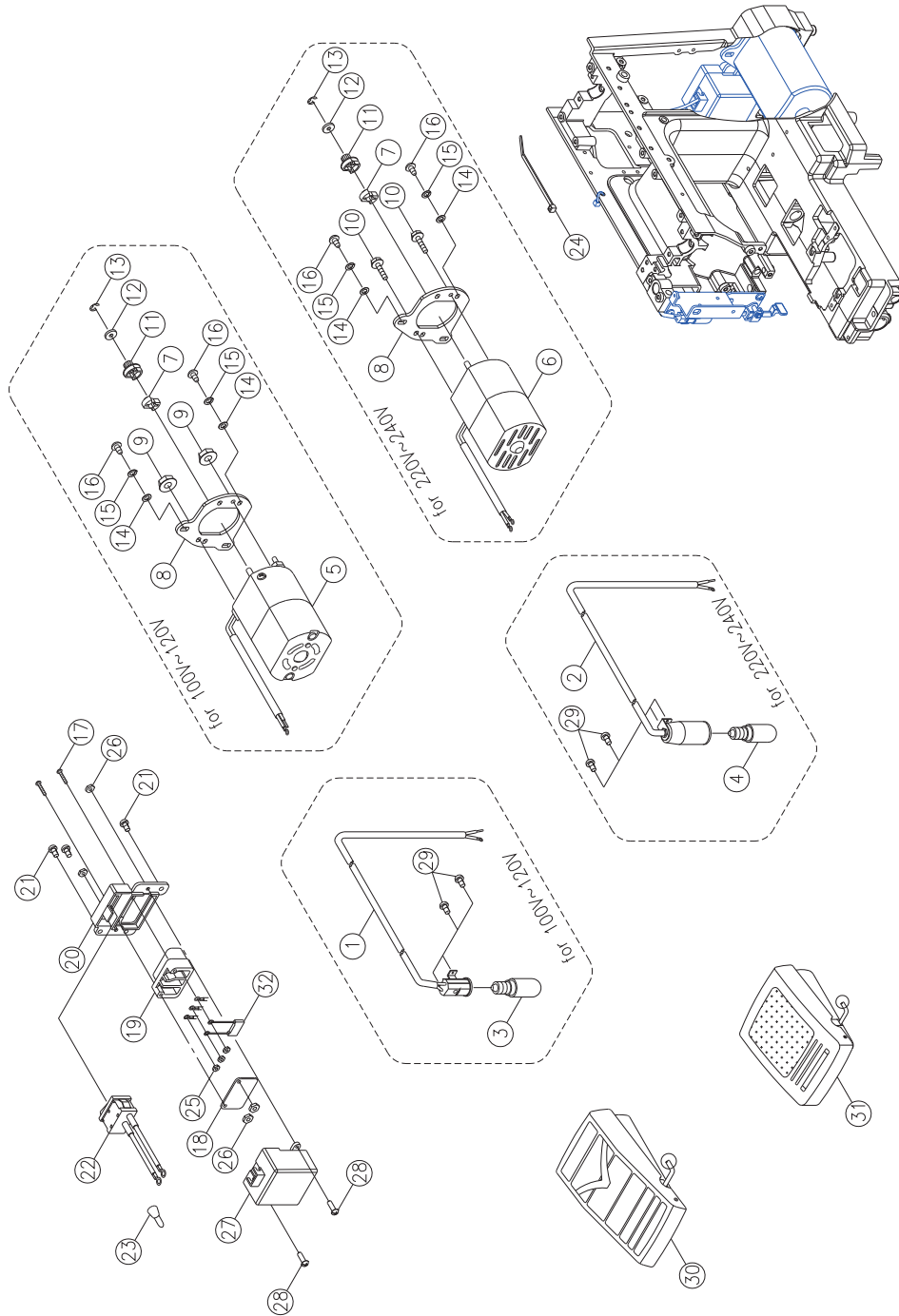
TAKE CARE THE CIRCLED PARTS FOR THE MODEL YOU WANT.



#	Part Number	Description	
1	270 E1A1283003	ZIGZAG WIDTH REGULATING CAM PLATE	
2	270 E1A1333003	ZIGZAG WIDTH SPRING	
3	416116101	E-RING ( E-4 )	
4	270 004300713	WASHER ( 5.2×10×0.2 )	
5	270 E1A1303002	ZIGZAG WIDTH REGULATING CAM	
6	416602501	ZIGZAG REGULATOR CRANK	
7	416122701	SET SCREW ( M4×0.7 ) L12	
8	416126801	SET NUT ( ALN-4 )	
9	416602601	ROD	
10	416116001	E-RING ( E-3 )	
11	416121201	SET SCREW ( M4×6 B )	
12	416602701	ZIGZAG WIDTH DIAL PLATE	
13	416117501	HAND WHEEL BUSHING PIN (3×10)	
14	416186901	WASHER	
15	416602801	ZIGZAG WIDTH DIAL	FOR 3323
15	416766001	ZIGZAG WIDTH DIAL	FOR 3321
16	416185901	WASHER (4.2×10×0.5)	
17	416185401	SET SCREW (M4×10 B)	
18	416602901	ZIGZAG WIDTH CRANK	
19	416603001	ZIGZAG WIDTH CRANK ROD	
20			
21	416603101	BOBBIN WINDER FRAME PLATE COMPLETE	
22	270 V6E0345000	BOBBIN WINDER CRANK COMPLETE	
23	416149201	BOBBIN WINDER RUBBER PULLEY	
24	416171201	BOBBIN WINDER CRANK SPRING	
25	416116301	E-RING (ETW-5)	
26	416603201	CLUTCH ROD PLATE	
27	416197501	CLUTCH ROD	
28	416603301	CLUTCH ROD SPRING	
29	416551301	REVERSE LEVER	
30	416551401	REVERSE ROD	
31	416155001	AUTO THREADED LEVER SPRING	
32	416185601	SET SCREW	
33	416428001	REVERSE BUTTON	

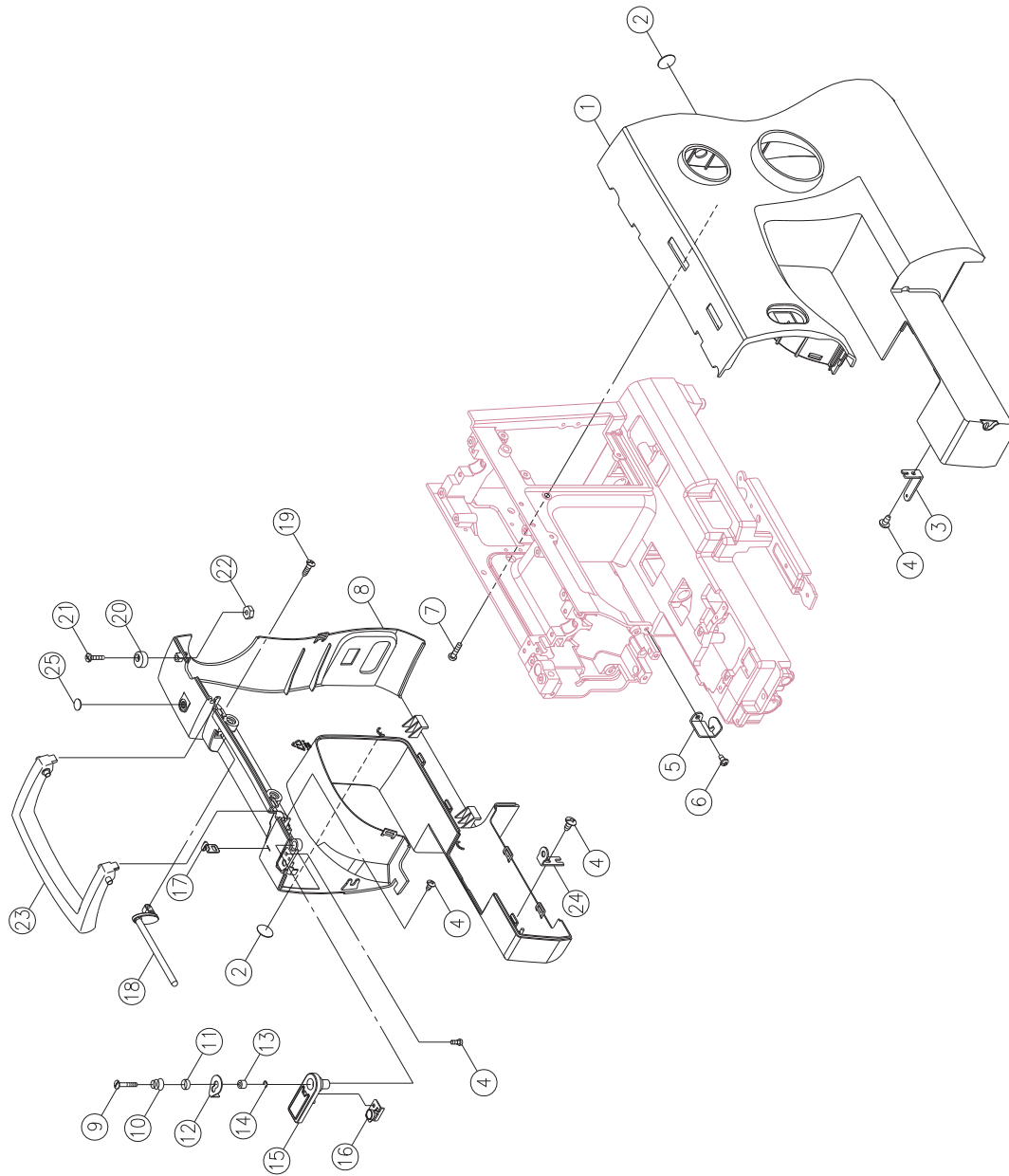


#	Part Number	Description
1	416428101	DIAL TENSION SUPPORTER PLATE COVER
2	416198701	THREAD GUIDE
3	270 004241412	SET SCREW (M4×0.7 L42)
4	416124101	WASHER (4.2×8×0.8)
5	270 V60303000	DIAL TENSION SPRING
6	416116701	CS-RING (CSTW-5)
7	270 004240746	SET SCREW (M4×18 B)
8	416121901	SET SCREW (M4×6)
9	416151701	DIAL TENSION GUIDE SPRING TUBE
10	416117501	HAND WHEEL BUSHING PIN (3×10)
11	416766101	DIAL TENSION SUPPORTER PLATE COMPLETE
12	416735101	DIAL TENSION WAFT PLATE
13	416153601	DIAL TENSION DISC (1)
14	416146301	DIAL TENSION DISC
15	416526801	DIAL TENSION SPRING REGULATOR
16	270 K50183003	DIAL TENSION SPRING
17	416153801	DIAL TENSION REGULATOR
18	270 K6B0193006	DIAL TENSION SPRING PLATE
19	416498301	DIAL TENSION KNOB
20	416126001	WASHER (WW-5)
21	270 004300713	WASHER (5.2×10×0.5)
22	416116101	E-RING ( E-4 )
23	416121201	SET SCREW ( M4×6 B )
24	416527201	TENSION LEVER REGULATING PLATE
25	270 Q6A0764000	SHUTTLE HOOK COMPLETE
26	416144001	ROTARY HOOK PLATE
27	416143901	ROTARY HOOK PLATE (2)
28	416143901	ROTARY HOOK PLATE SPRING (2)
29	416143901	ROTARY HOOK PLATE SPRING (1)
30	416119001	SET SCREW (M2×2.5)
31	416428201	NEEDLE PLATE
32	416428201	NEEDLE PLATE SUPPORTER
33	416428301	NEEDLE PLATE COVER
34	416155201	NEEDLE PLATE COVER OPEN
35	270 0042200016	SET SCREW (M2×3)
36	416147501	NEEDLE PLATE SPRING
37	416315001	NEEDLE PLATE COVER PLATE
38	416315101	NEEDLE PLATE COVER SPRING
39	270 004225106	SET SCREW ( M2.5×3 )
40	416122901	SET SCREW (M4×6)
41	270 006084009	BOBBIN

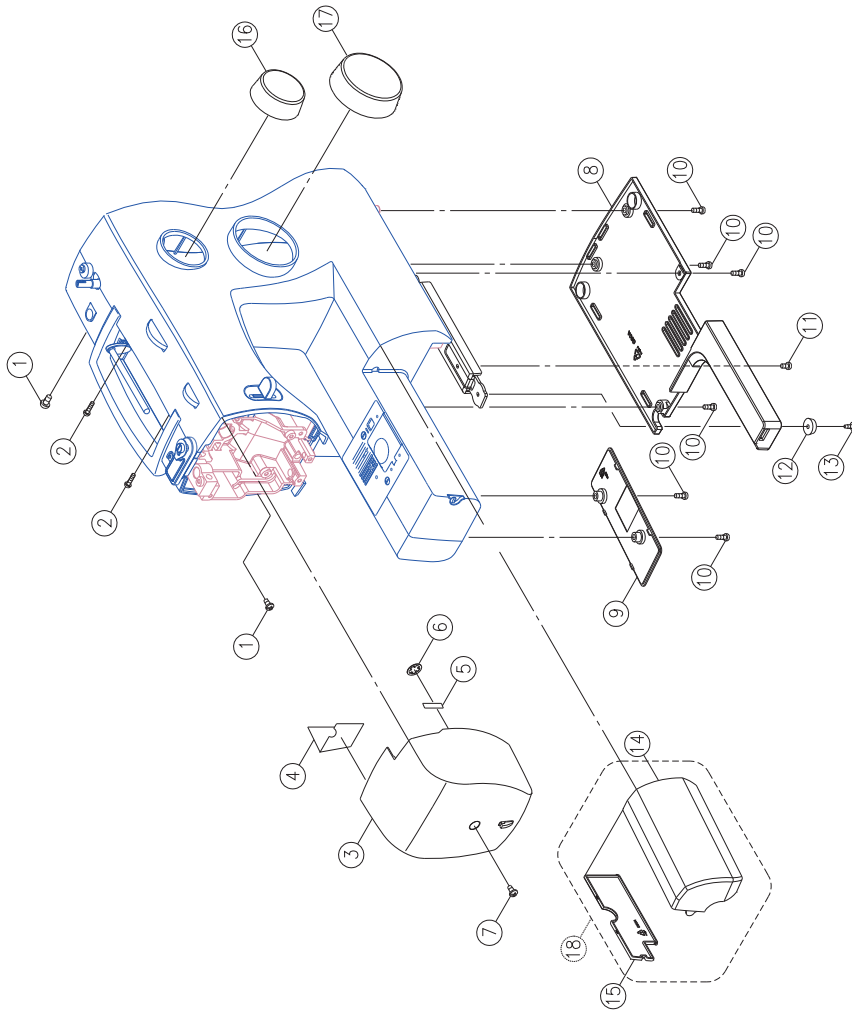


ALL VOLTAGE APPLICATION & SPEC. PLEASE CHECK NEXT PAGE.

#	Part Number	Description	
1	416428401	LAMP HOLDER COMPLETE	FOR 100V~120V /US
2	416428501	LAMP HOLDER COMPLETE	FOR 220V-240V / E.U.R
3	416428601	LAMP (12W E12)	FOR 100V
3	416126901	LAMP (10W)	FOR 120V
4	416766201	LAMP (15W E-14)	FOR 220V
4	416127001	LAMP (15W E-12)	FOR 240V
5	N/S	MOTOR COMPLETE	FOR 100V / JAPAN
5	270 001351109	MOTOR COMPLETE (HF-07150)	FOR 120V / US
6	416766301	MOTOR COMPLETE (HF-07250)	FOR 220V / KOREA
6	416430001	MOTOR COMPLETE (HF-07250)	FOR 230V / E.U.R
6	416766401	MOTOR COMPLETE (HF-07250)	FOR 230V / SAU
6	416528101	MOTOR COMPLETE (HF-07250)	FOR 230V / DUBAI
6	416528201	MOTOR COMPLETE (HF-07250)	FOR 230V / INDIA
6	416766501	MOTOR COMPLETE (HF-07250)	FOR 230V / CHINA
6	270 001V881003	MOTOR COMPLETE (HF-07250)	FOR 240V / U.K
6	270 001V881005	MOTOR COMPLETE (HF-07250)	FOR 240V /AUS
7	416129401	CUSHION RUBBER	
8	416603701	MOTOR BRACKET	
9	270 004840131	NUT (M4 T=5.5)	FOR 100~120V
10	416521501	SET SCREW (M4×10.2)	FOR 220~240V
11	416428701	BELT WHEEL	
12	416114001	MOTOR FEED REGULATOR COLLAR	
13	416116001	E-RING (ETW-3)	
14	416124301	WASHER (5.4×10×0.9)	
15	416126201	SPRING WASHER (5.2×9×1)	
16	416224801	SET SCREW (M5×12)	
17	416184901	SET SCREW (M3×20 B)	
18	416183601	CONCERT INSULATION PLATE	
19	416184701	RECEPTACLE	
20	416732301	RECEPTACLE HOLDER	
21	416121101	SET SCREW (M4×10 B)	
22	416115001	SWITCH ASS'Y	
23	416133001	END TERMED	
24	416113901	CORD CLIP	
25	270 004840120	NUT (M3×4)	
26	416302901	NUT (M3 T=2.3)	
27	270 002248129	RECEPTACLE HOLDER COVER	FOR-NON-UL
28	416119701	SET SCREW (M3×8 B)	FOR-NON-UL
29	270 004230056	SET SCREW (M3×5 B)	
30	N/S	FOOT CONTROLLER (KD-1902)	FOR 100V / JAPAN
30	416183301	FOOT CONTROLLER (KD-1902)	FOR 120V / US
31	416717901	FOOT CONTROLLER (KD-2902)	FOR 220V / KOREA
31	416183101	FOOT CONTROLLER (KD-2902)	FOR 230V / E.U.R
31	416766601	FOOT CONTROLLER (KD-2902)	FOR 230V / CHINA
31	416766701	FOOT CONTROLLER (KD-2902)	FOR 230V / SAU
31	416523901	FOOT CONTROLLER (KD-2902)	FOR 230V / DUBAI
31	416766801	FOOT CONTROLLER (KD-2902)	FOR 230V / IRAN
31	416112701	FOOT CONTROLLER (KD-2902)	FOR 240V / U.K
31	416183701	FOOT CONTROLLER (KD-2902)	FOR 240V / AUS



#	Part Number	Description
1	416603901	FRONT COVER FOR 3323
1	416766901	FRONT COVER FOR 3323
1	416428901	FRONT COVER FOR 3321
1	416767001	FRONT COVER FOR 3321
2	270 V61503210	PLATE (1)
3	416144401	ARM FRONT COVER SET PLATE
4	270 004230216	SET SCREW(M3×8.5)
5	416145101	ARM TOP COVER THREAD GUIDE PLATE
6	416121501	SET SCREW (M4×8 A)
7	270 004240186	SET SCREW (M4×15 B)
8	416429001	BACK COVER
8	416767101	BACK COVER
9	416199401	BOBBIN WINDER THREAD GUIDE ADJUSTING
10	270 P3A1533001	BOBBIN WINDER THREAD GUIDE SPRING
11	270 P3A1463001	BOBBIN WINDER SPRING DISC
12	270 P3A1513001	BOBBIN WINDER THREAD GUIDE
13	270 P3A1523006	SPACER
14	416116001	E-RING(ETW-3)
15	416199201	BOBBIN WINDER THREAD GUIDE DISC
16	270 V6E0395000	THREAD GUIDE COMPLETE
17	270 P3A1663001	THREAD GUIDE
18	270 K6B0383210	SPOOL PIN BASE
19	416573801	SET SCREW (M3×1.06)
20	270 K6B0393000	BOBBIN WINDER
21	416174001	SET SCREW (9/64×40×16)
22	416126301	NUT (9/64×40 T=3)
23	416429101	HANDLE
24	416144501	ARM BACK COVER SET PLATE
25		SPOOL PIN PLATE





#	Part Number	Description
1	416121501	SET SCREW (M4×8 A)
2	416122201	SET SCREW (M4×10 B)
3	416429201	FACE PLATE
3	416767901	FACE PLATE
4	416429301	HEAT RESISTANT PLATE
5	416172501	CUTTER
6	416116701	CS-RING (CSTW-5)
7	416185401	SET SCREW (M4×10 A)
8	416429401	FREE ARM FOOT BASE
9	416429501	BED COVER
10	416121101	SET SCREW (M4×10 B)
11	416184801	SET SCREW ( M3×8 )
12	270 F31103000	FREE ARM BASE CUSHION RUBBER
13	416120701	SET SCREW ( M3×12 )
14	416767201	SEWING TABLE BODY
15	416767301	SEWING TABLE BODY COVER
16	416429601	STITCH LENGTH DIAL
17	416604101	SELECTOR DIAL
17	416429701	SELECTOR DIAL
18	416767401	SEWING TABLE BODY COMPLETE
18	416767501	SEWING TABLE BODY COMPLETE
18	416429801	SEWING TABLE BODY COMPLETE

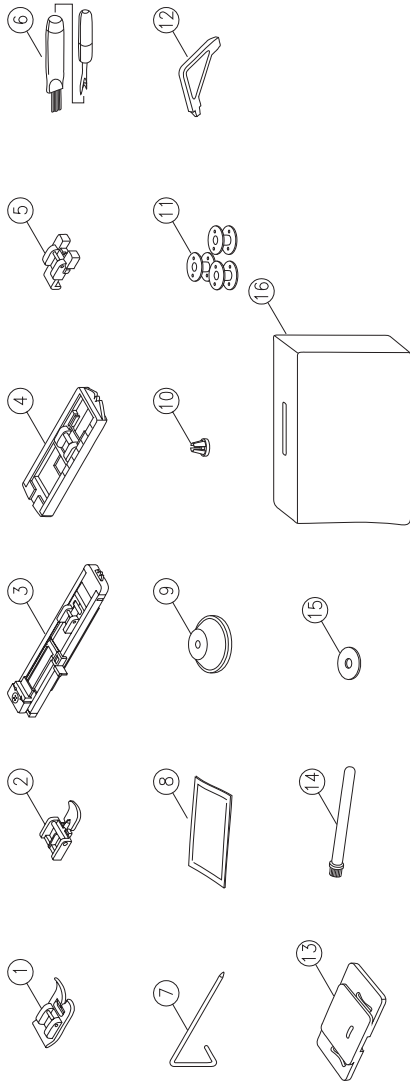
WITHOUT HOLE FOR REGULATING  
HOLE FOR REGULATING

FOR 3323

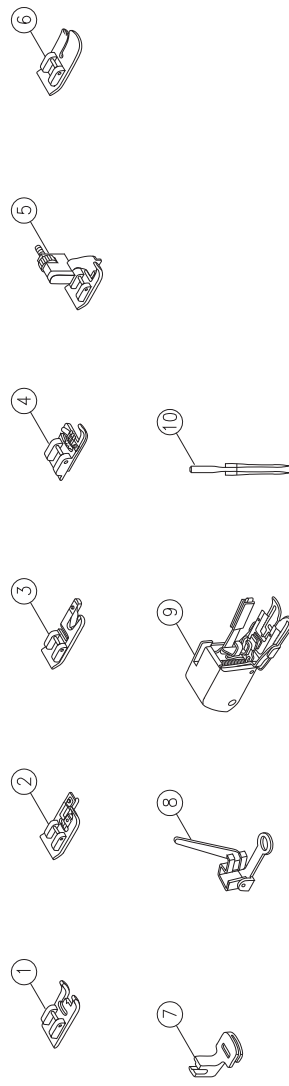
FOR 3321



# STANDARD ACCESSORIES



# OPTIONAL ACCESSORIES



#	Part Number	Description
Standard accessories		
1	416187101	ALL PURPOSE FOOT
2	416128701	ZIPPER FOOT (I)
3	270 006Q6A0150	BUTTONHOLE FOOT FOR 3323
4	416128901	BUTTONHOLE FOOT FOR 3321
5	270 006914008	BUTTON SEWING FOOT
6	416127701	SEAM RIPPER/ BRUSH
7	416127101	SEAM GUIDE
8		PACK OF NEEDLE
9	416499018	SPOOL HOLDER (LARGE)
10	416500801	SPOOL HOLDERS (SMALL)
11	270 006084009	BOBBIN
12	270 006093009	L-SCREWDRIVER
13	416223901	EMBROIDERY PLATE
14	270 R60033210	SECOND SPOOL PIN
15	416127301	FELT PAD
16	416497601	SOFT COVER
Optional accessories		
1	416128001	SATIN STITCH FOOT (A)
2	270 006907008	OVERCASTTING FOOT (E)
3	416767601	HEMMER FOOT (K)
4	416767701	CORDING FOOT (M)
5	270 006904008	BLIND HEM FOOT (F)
6	416129101	QUILTING/ STRAIGHT STITCH FOOT
7	416284201	GATHERING FOOT
8	416127401	DARNING/ EMBROIDERY FOOT
9	416284301	EVEN FEED FOOT
10	416767801	TWIN NEEDLE