

SINGER

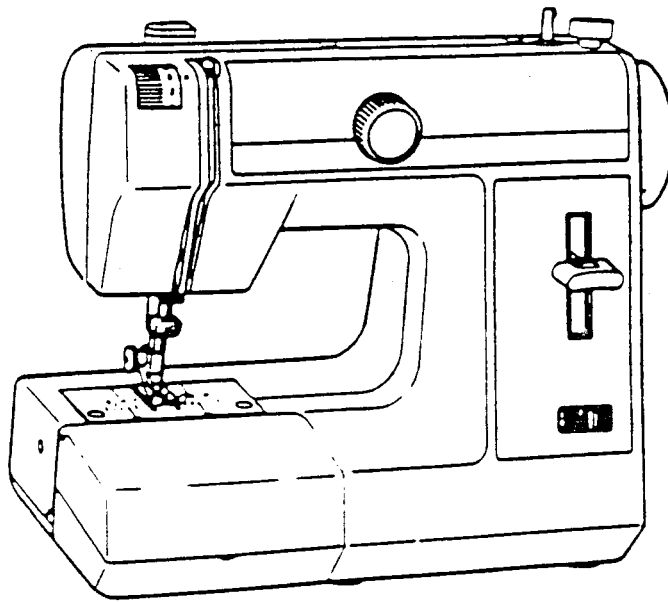
322

REVISION SEPTEMBER, 1988

SECTION

~~PARTS LIST~~
FOR

MINI SINGER



MODEL 322

REVISION ISSUE SEPTEMBER 1988

MUST BE USED WITH ORIGINAL NOV 1987 (ATTACHED)

173745-322

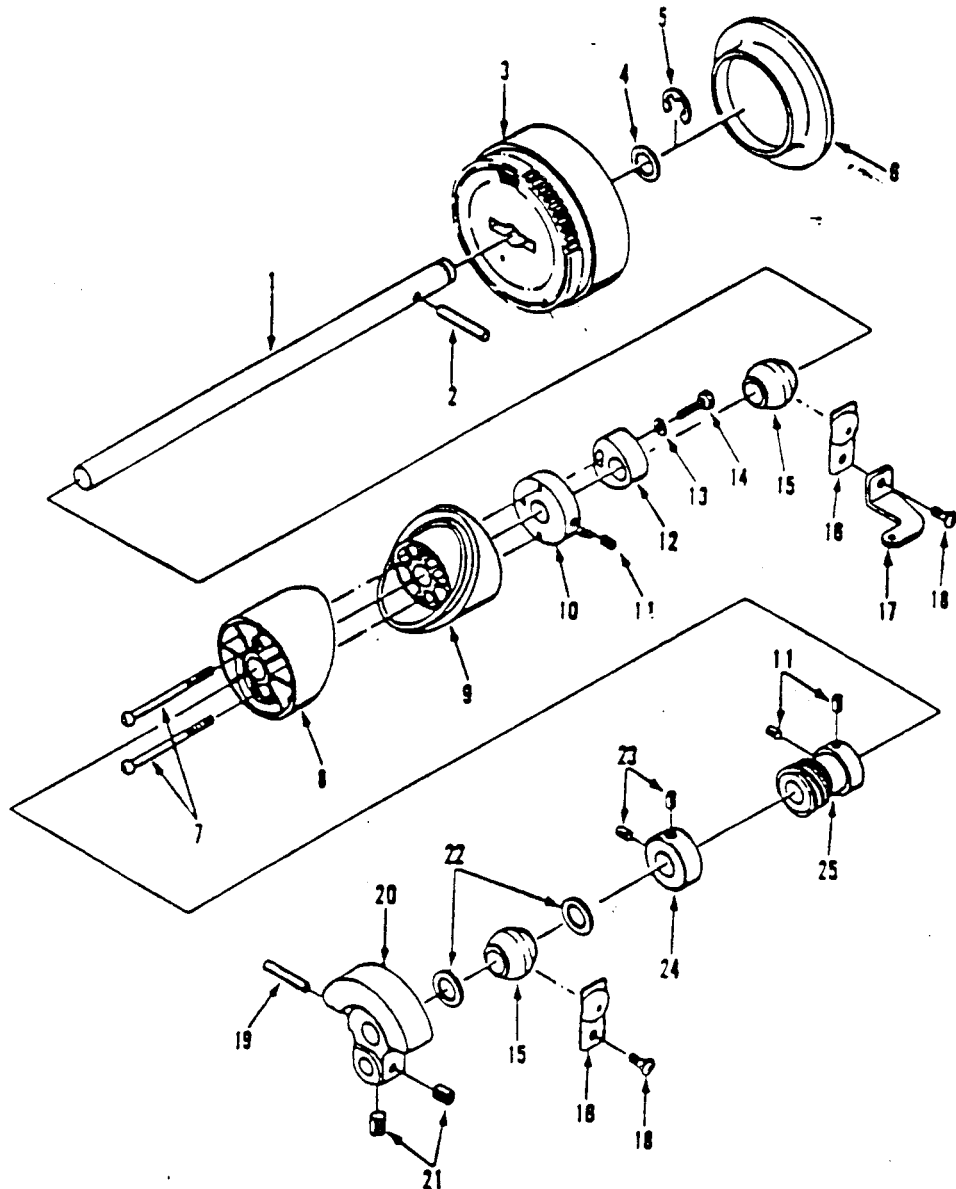
FACTORY
MODEL NO.

4836
MAY HAVE SUFFIX - 0 TO 9

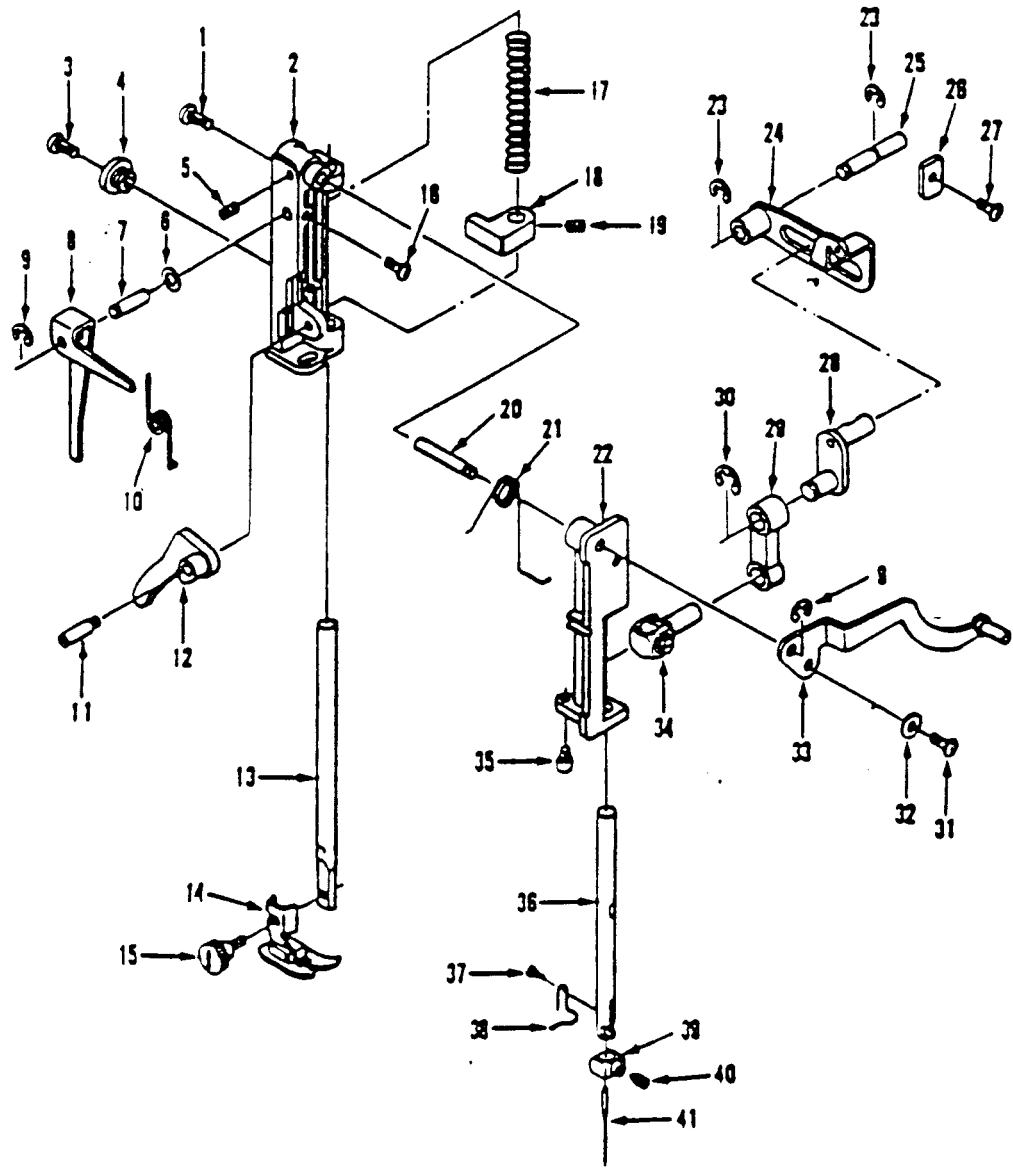
ORIGINAL
ISSUE

SEPTEMBER, 1988

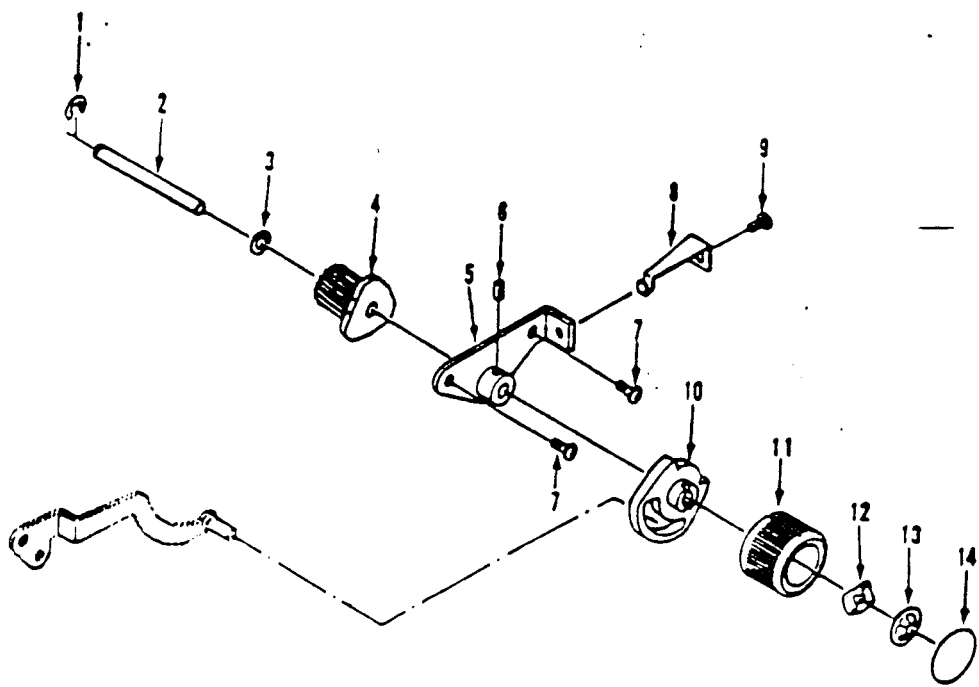
PAGE : 1



KEY NO.	FACTORY MODEL NO.	4836-6	DESCRIPTION	PART NO.	KEY NO.	FACTORY MODEL NO.	4836-6	DESCRIPTION	PART NO.
1			MAIN SHAFT		13			WASHER	
2			SPRING PIN		14			M3.5 SCREW	
3			PULLEY		15			BUSHING	
4			WASHER		16			SECURING PLATE	317712
5			CLIP ON WASHER		17			HOOK FOR SPRING	
6			HANDWHEEL COVER	317712	18			M4 PHILIPS SCREW	317712
7			CAM		19			SPRING PIN	
8			M3.5 SCREW		20			BALANCE CAM	
9			CAM B		21			SET SCREW	
10			CAM A		22			THRUST WASHER	
11			CAM BASE		23			SET SCREW	
12			M4 SCREW		24			COLLAR	
			FELD CAM		25			SPRAL GEAR	



KEY NO.	FACTORY MODEL NO.	DESCRIPTION	PART NO.	KEY NO.	FACTORY MODEL NO.	DESCRIPTION	PART NO.
1	4836-6	M4 SCREW	317714	39	4836-6	SET SCREW	317563
2		PRESSER BAR SUPPORT	317715	40		SPRING	317722
3		M4 SCREW	317716	41		NEEDLE BAR CRANK	317726
4		M4 SCREW				NEEDLE BAR HOLDER	
5		M4 SCREW	317711			NEEDLE BAR CRANK	
6		WASHER	317718			CONNECTING ROD	
7		TENSION RELEASE LEVER	317719			CLIP ON WASHER	317727
8		CLIP ON WASHER	317763			CLIP ON WASHER	317731
9		TAKE-UP LEVER	317757			M4 SCREW	317732
10		SPRING	317735			WASHER	317732
11		M4 SCREW	317720			TIGHTENING BAR	317733
12		PRESSER FOOT LIFTER				M4 SCREW	
13		PRESSER BAR				NEEDLE BAR CRANK	
14		PRESSER BAR				CONNECTING ROD	
15		PRESSER FOOT THUMB SCREW	317723			CLIP ON WASHER	317772
16		M4 PHILIPS SCREW	317721			M4 SCREW	317731
17		SPRING	317722			WASHER	317732
18		PRESSER BAR GUIDE				TIGHTENING BAR	317733
						M4 SCREW	
						NEEDLE BAR CRANK	
						CONNECTING ROD	
						CLIP ON WASHER	317727
						CLIP ON WASHER	317731
						M4 SCREW	317732
						WASHER	317732
						TIGHTENING BAR	317733
						M4 SCREW	
						NEEDLE BAR CRANK	
						CONNECTING ROD	
						CLIP ON WASHER	317727
						CLIP ON WASHER	317731
						M4 SCREW	317732
						WASHER	317732
						TIGHTENING BAR	317733
						M4 SCREW	
						NEEDLE BAR CRANK	
						CONNECTING ROD	
						CLIP ON WASHER	317727
						CLIP ON WASHER	317731
						M4 SCREW	317732
						WASHER	317732
						TIGHTENING BAR	317733
						M4 SCREW	
						NEEDLE BAR CRANK	
						CONNECTING ROD	
						CLIP ON WASHER	317727
						CLIP ON WASHER	317731
						M4 SCREW	317732
						WASHER	317732
						TIGHTENING BAR	317733
						M4 SCREW	
						NEEDLE BAR CRANK	
						CONNECTING ROD	
						CLIP ON WASHER	317727
						CLIP ON WASHER	317731
						M4 SCREW	317732
						WASHER	317732
						TIGHTENING BAR	317733
						M4 SCREW	
						NEEDLE BAR CRANK	
						CONNECTING ROD	
						CLIP ON WASHER	317727
						CLIP ON WASHER	317731
						M4 SCREW	317732
						WASHER	317732
						TIGHTENING BAR	317733
						M4 SCREW	
						NEEDLE BAR CRANK	
						CONNECTING ROD	
						CLIP ON WASHER	317727
						CLIP ON WASHER	317731
						M4 SCREW	317732
						WASHER	317732
						TIGHTENING BAR	317733
						M4 SCREW	
						NEEDLE BAR CRANK	
						CONNECTING ROD	
						CLIP ON WASHER	317727
						CLIP ON WASHER	317731
						M4 SCREW	317732
						WASHER	317732
						TIGHTENING BAR	317733
						M4 SCREW	
						NEEDLE BAR CRANK	
						CONNECTING ROD	
						CLIP ON WASHER	317727
						CLIP ON WASHER	317731
						M4 SCREW	317732
						WASHER	317732
						TIGHTENING BAR	317733
						M4 SCREW	
						NEEDLE BAR CRANK	
						CONNECTING ROD	
						CLIP ON WASHER	317727
						CLIP ON WASHER	317731
						M4 SCREW	317732
						WASHER	317732
						TIGHTENING BAR	317733
						M4 SCREW	
						NEEDLE BAR CRANK	
						CONNECTING ROD	
						CLIP ON WASHER	317727
						CLIP ON WASHER	317731
						M4 SCREW	317732
						WASHER	317732
						TIGHTENING BAR	317733
						M4 SCREW	
						NEEDLE BAR CRANK	
						CONNECTING ROD	
						CLIP ON WASHER	317727
						CLIP ON WASHER	317731
						M4 SCREW	317732
						WASHER	317732
						TIGHTENING BAR	317733
						M4 SCREW	
						NEEDLE BAR CRANK	
						CONNECTING ROD	
						CLIP ON WASHER	317727
						CLIP ON WASHER	317731
						M4 SCREW	317732
						WASHER	317732
						TIGHTENING BAR	317733
						M4 SCREW	
						NEEDLE BAR CRANK	
						CONNECTING ROD	
						CLIP ON WASHER	317727
						CLIP ON WASHER	317731
						M4 SCREW	317732
						WASHER	317732
						TIGHTENING BAR	317733
						M4 SCREW	
						NEEDLE BAR CRANK	
						CONNECTING ROD	
						CLIP ON WASHER	317727
						CLIP ON WASHER	317731
						M4 SCREW	317732
						WASHER	317732
						TIGHTENING BAR	317733
						M4 SCREW	
						NEEDLE BAR CRANK	
						CONNECTING ROD	
						CLIP ON WASHER	317727
						CLIP ON WASHER	317731
						M4 SCREW	317732
						WASHER	317732
						TIGHTENING BAR	317733
						M4 SCREW	
						NEEDLE BAR CRANK	
						CONNECTING ROD	
						CLIP ON WASHER	317727
						CLIP ON WASHER	317731
						M4 SCREW	317732
						WASHER	317732
						TIGHTENING BAR	317733
						M4 SCREW	
						NEEDLE BAR CRANK	
						CONNECTING ROD	
						CLIP ON WASHER	317727
						CLIP ON WASHER	317731
						M4 SCREW	317732
						WASHER	317732
						TIGHTENING BAR	317733
						M4 SCREW	
						NEEDLE BAR CRANK	
						CONNECTING ROD	
						CLIP ON WASHER	317727
						CLIP ON WASHER	317731
						M4 SCREW	317732
						WASHER	317732
						TIGHTENING BAR	317733
						M4 SCREW	
						NEEDLE BAR CRANK	
						CONNECTING ROD	
						CLIP ON WASHER	317727
						CLIP ON WASHER	317731
						M4 SCREW	317732
						WASHER	317732
						TIGHTENING BAR	317733
						M4 SCREW	
						NEEDLE BAR CRANK	
						CONNECTING ROD	
						CLIP ON WASHER	317727
						CLIP ON WASHER	317731
						M4 SCREW	317732
						WASHER	317732
						TIGHTENING BAR	317733
						M4 SCREW	
						NEEDLE BAR CRANK	
						CONNECTING ROD	
						CLIP ON WASHER	317727
						CLIP ON WASHER	317731
						M4 SCREW	317732
						WASHER	317732
						TIGHTENING BAR	317733
						M4 SCREW	
						NEEDLE BAR CRANK	
						CONNECTING ROD	
						CLIP ON WASHER	317727
						CLIP ON WASHER	317731
						M4 SCREW	317732
						WASHER	317732
						TIGHTENING BAR	317733
						M4 SCREW	
						NEEDLE BAR CRANK	
						CONNECTING ROD	



KEY NO.	FACTORY MODEL NO.	DESCRIPTION	PART NO.	KEY NO.	FACTORY MODEL NO.	DESCRIPTION	PART NO.
1	4836-6	CLIP ON WASHER		8	4836-6	NOTCH LEVER	317736
2		SHAFT		9		M4 PHILIPS SCREW	317723
3		WASHER		10		ZIGZAG CAM	317737
4		GEARED CAM		11		ZIGZAG DIAL	
5		DIAL PLATE	317734	12		WASHER	
6		M4 SCREW	317568	13		SPECIAL WASHER	
7		M4 PHILIPS SCREW	317791	14		DIAL PLATE	

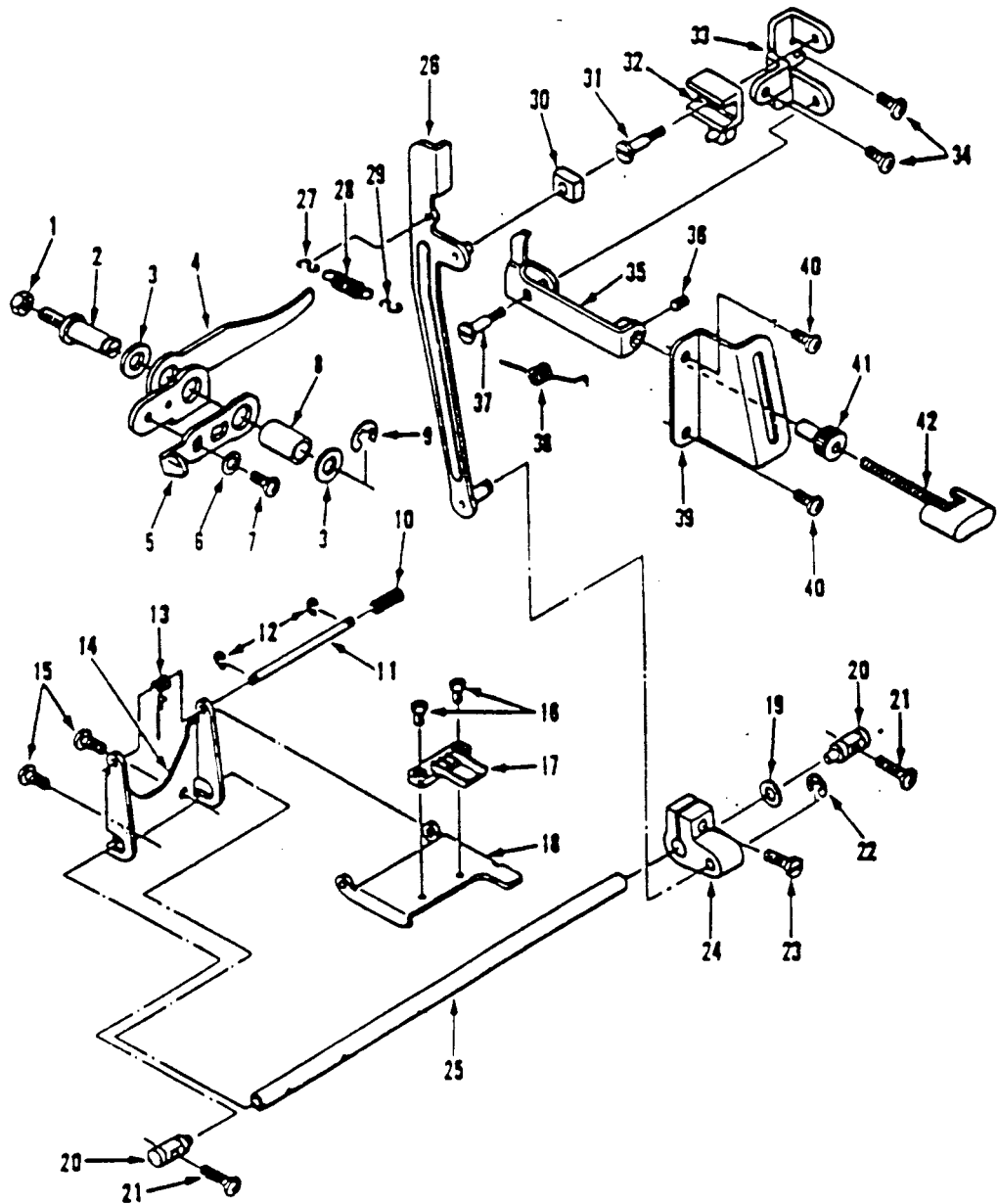
FACTORY MODEL NO.

4836 MAY HAVE SUFFIX - 0 TO 9

ORIGINAL ISSUE

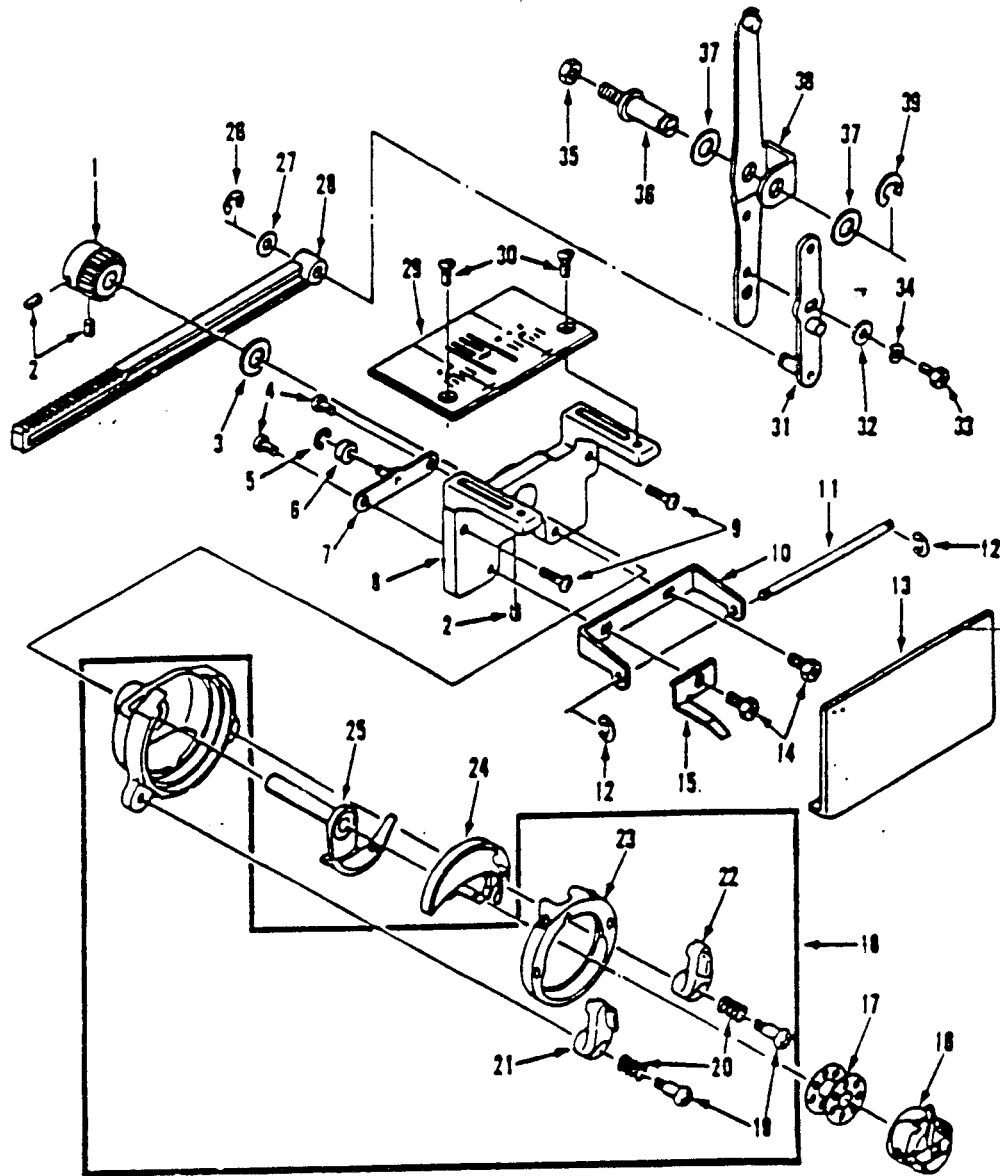
SEPTEMBER, 1968

PAGE 1

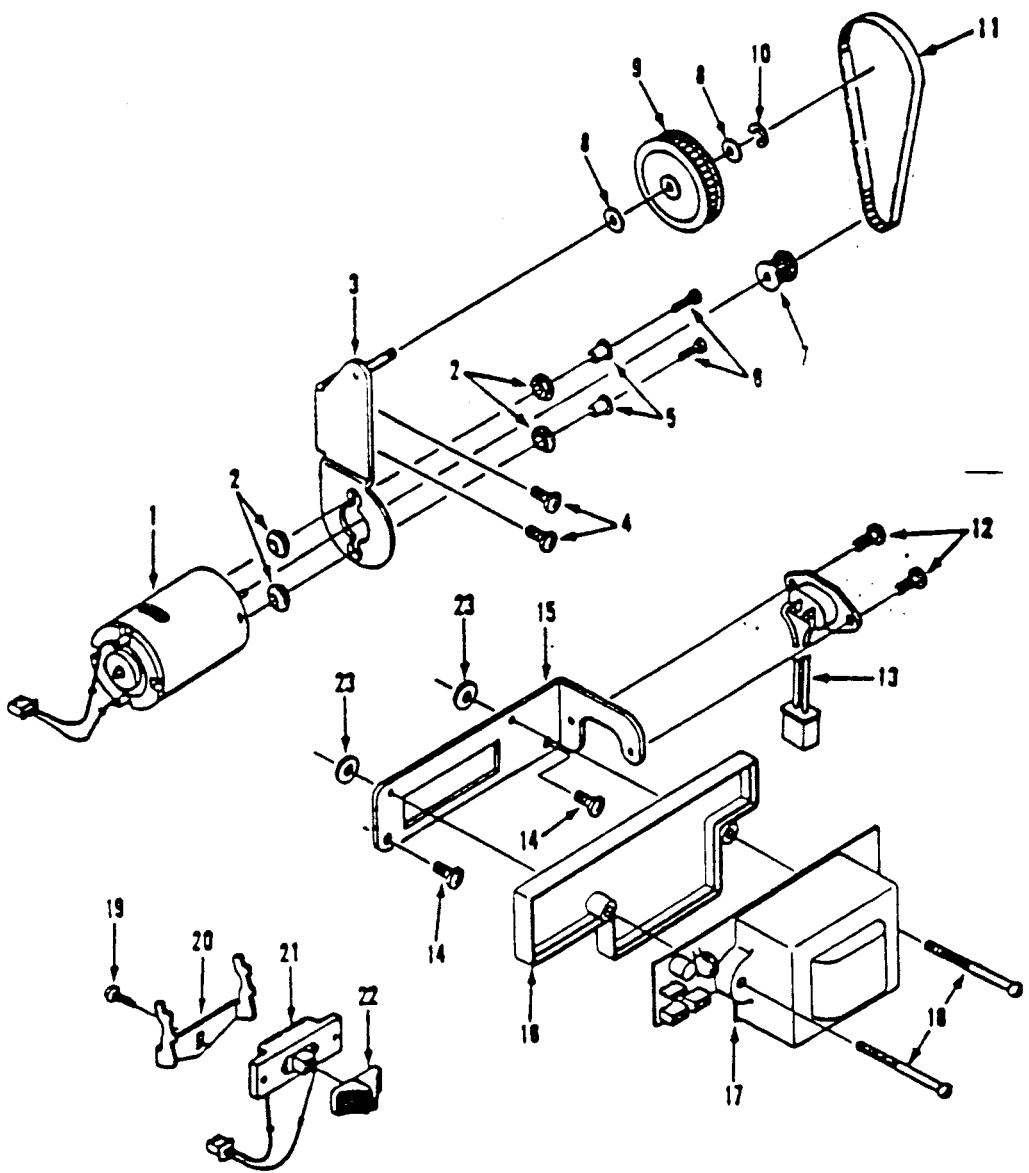


KEY NO.	FACTORY MODEL NO.	4836-6	DESCRIPTION	PART NO.	KEY NO.	FACTORY MODEL NO.	4836-6	DESCRIPTION	PART NO.
			M5 NUT	317775	23			SET SCREW	317740
			M5 SCREW	317780	25			ARM B REGULATING	
			FREE LIFTING LEVER	317776	26			FREE OPERATING LEVER	
			WASHER		27			HOOK FOR SPRING	317778
			M4 PHILIPS SCREW	317781				SPRING	
			COLLAR	317774				HOOK FOR SPRING	
			CLIP ON WASHER					BLOCK	
			WASHER					M5 TUB SCREW	
			WASHER					REGULATOR	
			WASHER					M4 PHILIPS SCREW	
			FREE ARM A					FREE LEVER	
			M4 PHILIPS SCREW					M5 SCREW	
			WASHER					M5 TUB SCREW	317782
			WASHER					SPRING	317779
			WASHER					FREE LEVER GUIDE	
			WASHER					M4 PHILIPS SCREW	
			WASHER					FREE KNOB	
			WASHER					FREE LENGTH	
			WASHER					LEVER (BROWN)	

FACILITY: 4836
 MODEL NO.: MAY HAVE SUFFIX - 0 TO 9
 27-12-1967
 -266:

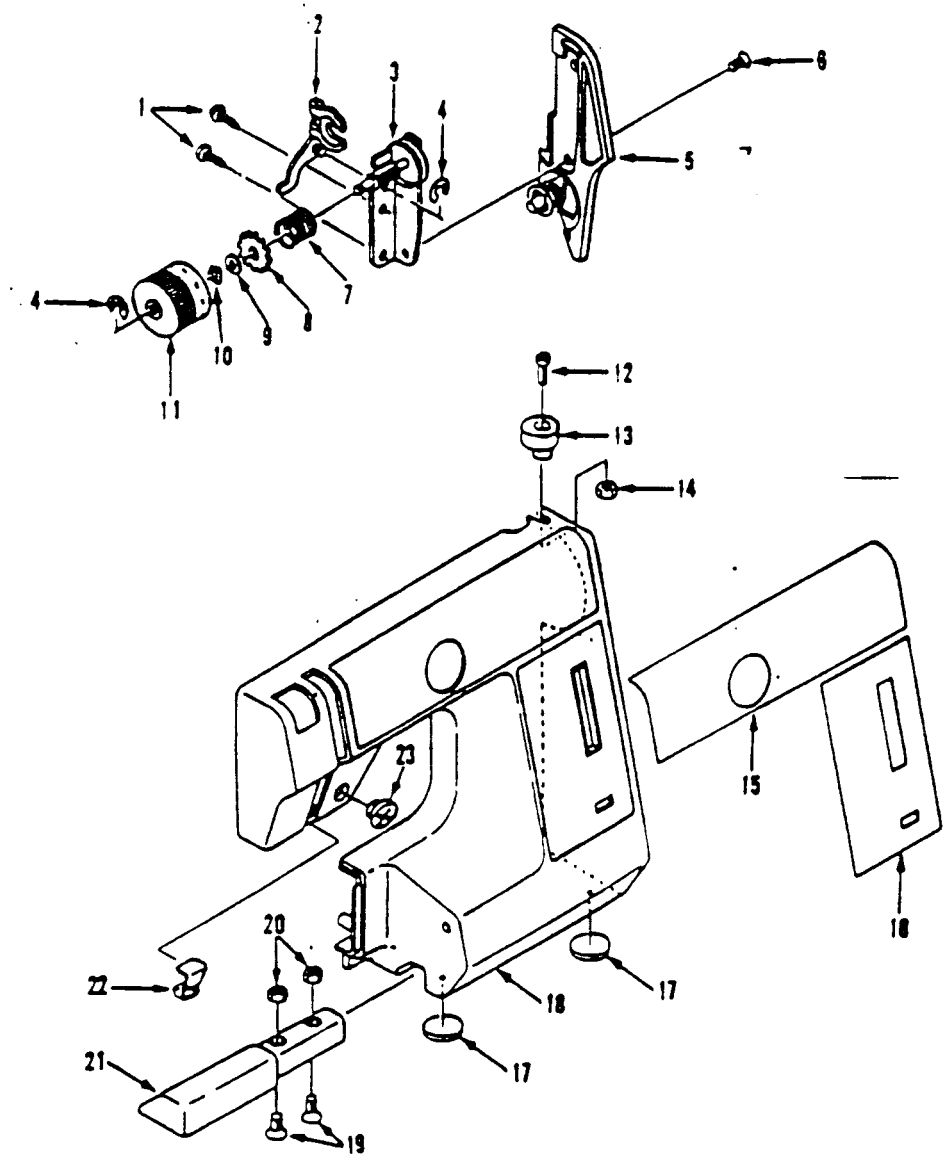


FACTORY MODEL NO. 4836-6			FACTORY MODEL NO. 4836-6		
F.P.Y. NO.	DESCRIPTION	PART NO.	KEY NO.	DESCRIPTION	PART NO.
1	GEAR		21	SHUTTLE RACE	
2	NO. SCREW	317787	22	HINGED LATCH	
3	WASHER		23	SHUTTLE RACE	317742
4	SET SCREW		24	HINGED LATCH	317743
5	CLIP ON WASHER		25	SHUTTLE RACE COVER	317774
6	ROLLER		26	SHUTTLE HOOK	
7	ROLLER BASE	317741	27	SHUTTLE DRIVER	
8	SHUTTLE RACE BASE	317783	28	CLIP ON WASHER	
9	NO. PHILIPS SCREW		29	WASHER	
10	COVER HINGE		30	RACE	317745
11	SHAP		31	NEEDLE PLATE	
12	CLIP ON WASHER		32	NO. SET SCREW	317746
13	SHUTTLE COVER		33	SHUTTLE DRIVING	
14	NO. SCREW		34	ARM	
15	PLATE SPRING		35	WASHER	317785
16	BOBBIN CASE		36	NO. SCREW	
17	BOBBIN SET		37	NO. SPRING WASHER	
18	SHUTTLE RACE	317784	38	NO. SCREW	317747
19	COMPLETE		39	WASHER	317748
20	SCREW STUD			SHUTTLE DRIVING	
	SPRING			LEVER	
				CLIP ON WASHER	

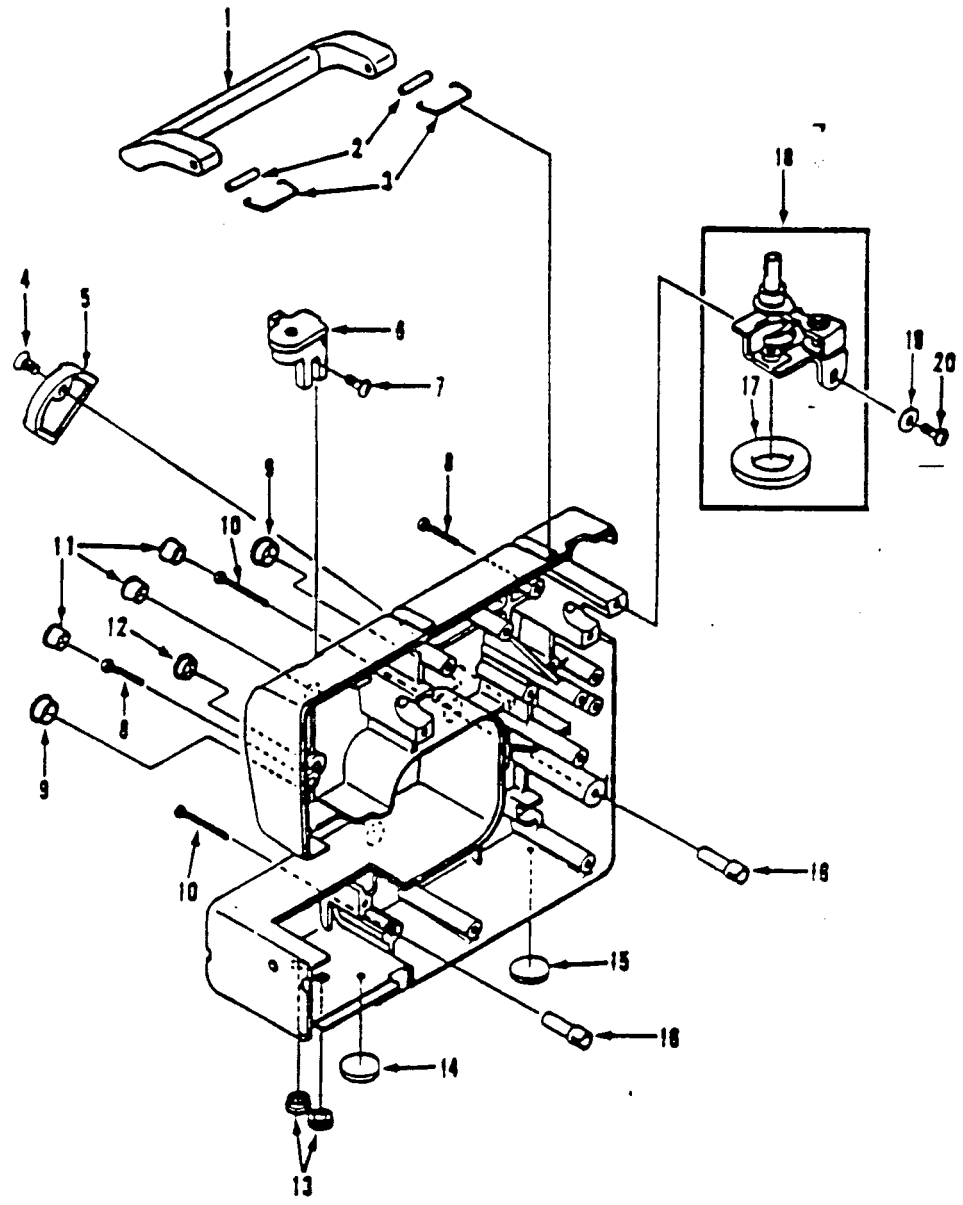


KEY NO.	FACTORY MODEL NO.	PART NO.	KEY NO.	FACTORY MODEL NO.	PART NO.
DESCRIPTION			DESCRIPTION		
1	MOTOR	317749	13	TERMINAL BRACKET	
2	RUBBER BUSH	317750	14	M4 PHILIPS SCREW	317752
3	MOTOR BRACKET		15	BRACKET	
4	M4 PHILIPS SCREW		16	INSULATING BOX	
5	BUSH		17	RECTIFIER CIRCUIT	
6	M3 SCREW		18	M3 SCREW	
7	MOTOR RULLEY		19	M4 TAPPING SCREW	
8	THRUST WASHER		20	BRACKET	
9	DRIVER GEAR	317751	21	SWITCH	
10	CLIP ON WASHER		22	SWITCH KNOB	
11	TIMING BELT		23	(BROWN) WASHER	317753
12	M3 SET SCREW				

MODEL	MINI SINGER 322	REVISION	SECTION .
FACTORY MODEL NO.	4836 MAY HAVE SUFFIX - 0 TO 9		
ORIGINAL ISSUE	SEPTEMBER, 1988		PAGE : 7



KEY NO.	FACTORY MODEL NO.	4836-6	KEY NO.	FACTORY MODEL NO.	4836-6
	DESCRIPTION	PART NO.		DESCRIPTION	PART NO.
1	MA TAPPING SCREW		11	THREAD TENSION	
2	TENSION RELEASE		12	DIAL	
3	LEVER		13	SET SCREW	
4	THREAD TENSION		14	PLASTIC BOBBIN CAM	
5	DISC UNIT		15	SEAL	
6	TENSION WASHER		16	NUT	
7	TENSION SPRING		17	SEAL	
8	UNIT		18	RUBBER CUSHION	
9	MA SCREW		19	FRONT COVER	317790
10	SPRING		20	MA SET SCREW	
	TIGHTENED WASHER		21	NUT	
	WASHER		22	FRONT SUPPORT	
	CRINKLE WASHER		23	THREAD GUIDE	
				CAP	



KEY NO.	FACTORY MODEL NO.	4836-6	DESCRIPTION	PART NO.	KEY NO.	FACTORY MODEL NO.	4836-6	DESCRIPTION	PART NO.
1			HANDLE	317754	11			CAP	317764
2			SPRING PIN	317755	12			CAP	317686
3			CLIP	317756	13			ARM CAP	317766
4			M4 SET SCREW	317560	14			RUBBER CUSHION	
5			SPOOL STAND BASE	317758	15			RUBBER CUSHION	
6			THREAD GUIDE	317759	16			SPACER	317786
7			M4 PHILIPS SCREW	317760	17			BOBBIN WINDER	
8			TAPPING SCREW	317761	18			BOBBIN WINDER	
9			CAP	317762	19			WASHER	317767
10			M4 TAPPING SCREW	317614	20			M4 PHILIPS SCREW	

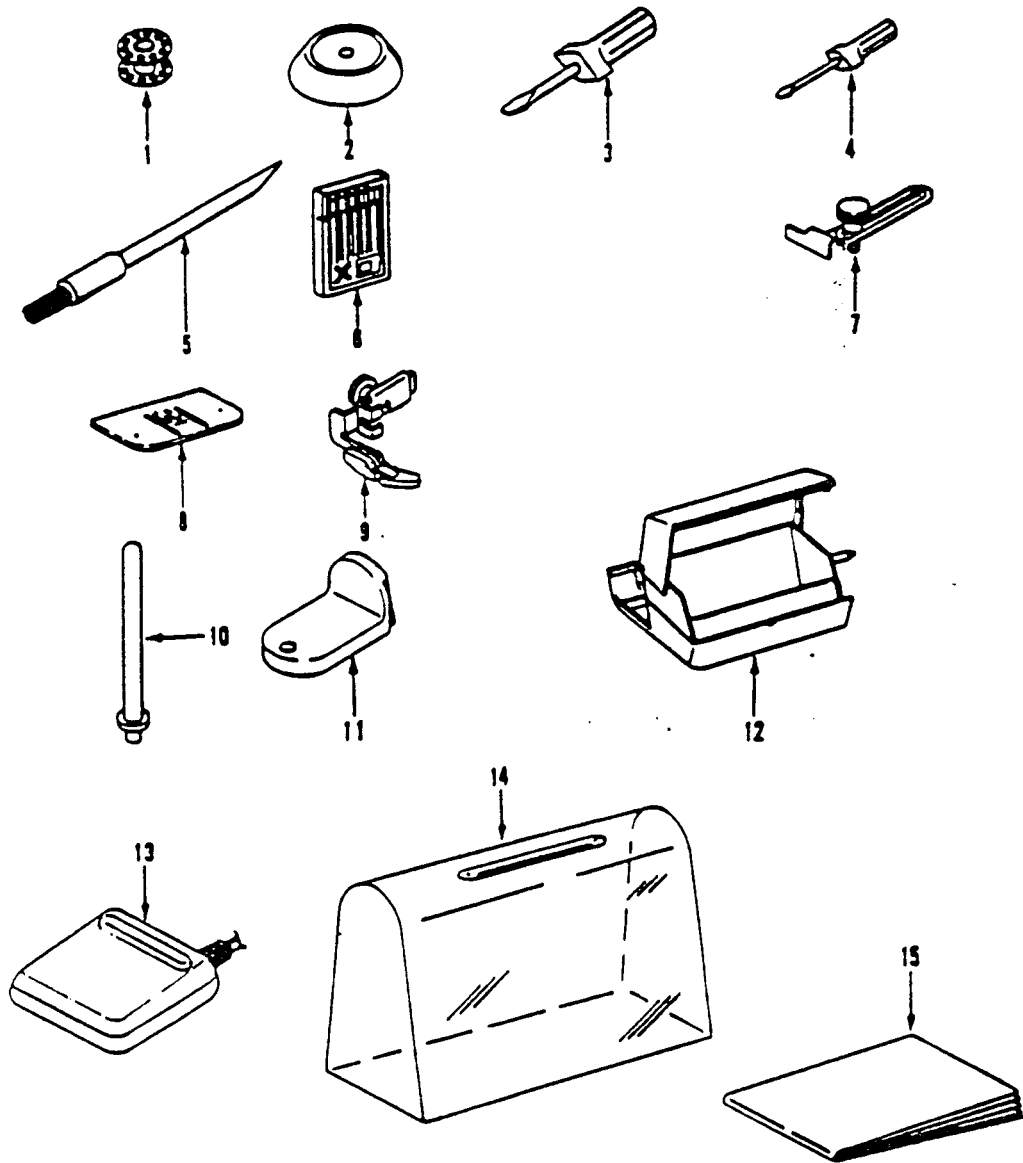
FACTORY
MODEL NO.

4836
MAY HAVE SUFFIX - 0 TO 9

ORIGINAL
ISSUE

SEPTEMBER, 1988

PAGE 1 9

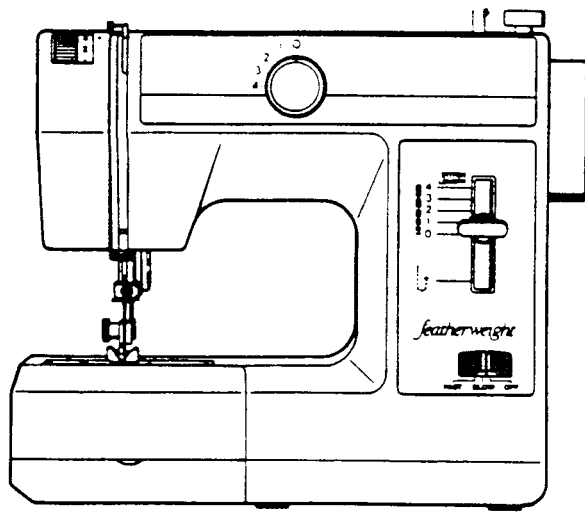


KEY NO.	FACTORY MODEL NO.	4836-6	DESCRIPTION	PART NO.	KEY NO.	FACTORY MODEL NO.	4836-6	DESCRIPTION	PART NO.
1			BOBBIN SET	317789	8			DARNING PLATE	
2			SPOOL PIN CAP	317768	9			HINGED ZIPPER FOOT	
3			LARGE SCREW DRIVER		10			SPOOL PIN	317769
4			SMALL SCREW DRIVER		11			SPOOL STAND	317770
5			CLEANING BRUSH		12			ACC. BOX	317771
6			NEEDLE SET	317788	13			FOOT SWITCH	
7			CLOTH GUIDE		14			DUST COVER	
					15			INSTRUCTION BOOK	** 505257

ORIGINAL ISSUE	NOVEMBER 1987	REVISED	SEC.	2
			ORIGINAL	
			PAGE	

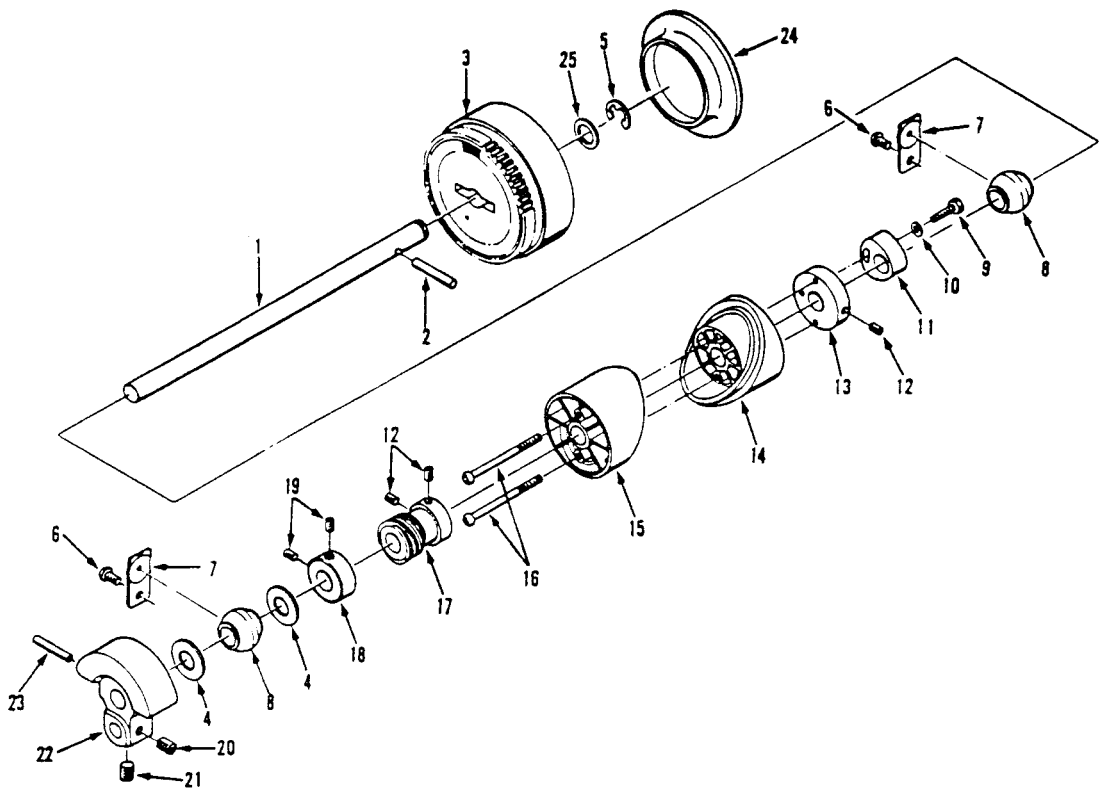
PARTS LIST
FOR

MINI SINGER
MODEL **322**



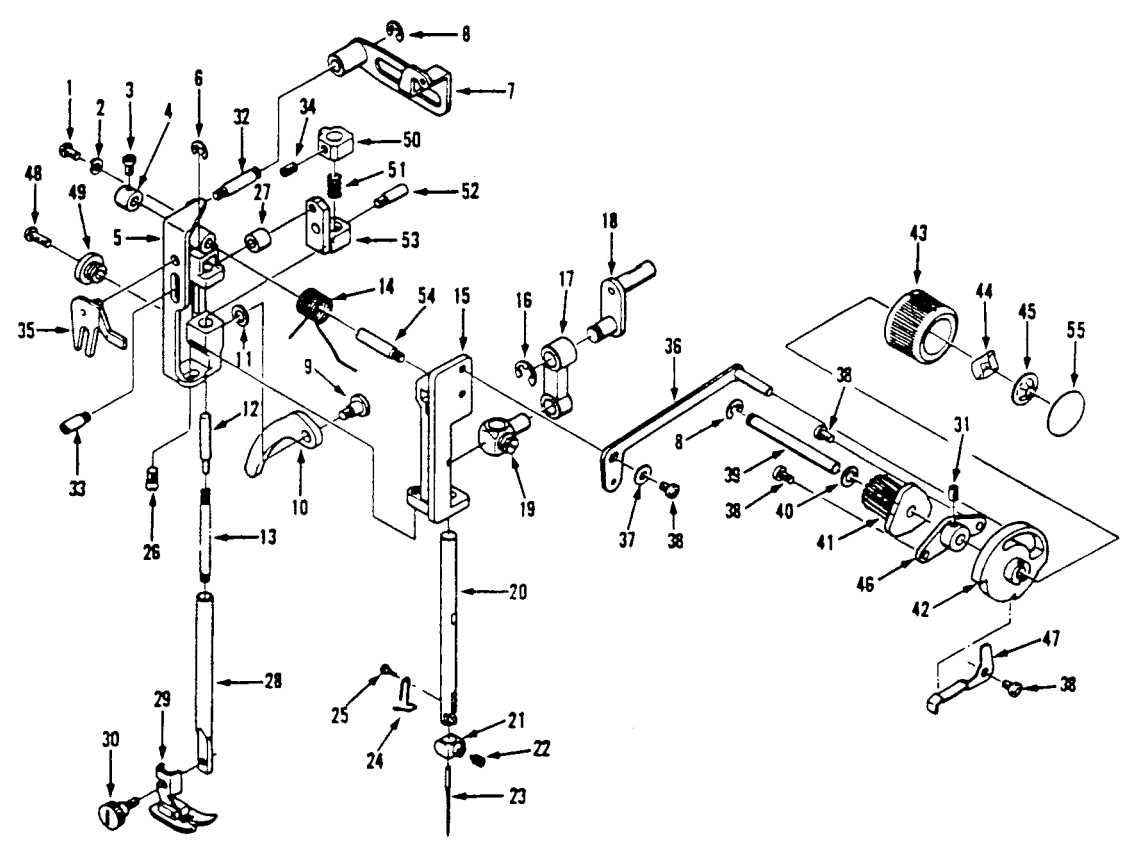
ORIGINAL ISSUE NOVEMBER 1987
MUST BE USED WITH REVISION SEPT 1988

MODEL	MINI SINGER 322	REVISION	SECTION :	2
FACTORY MODEL NO.	4836 MAY HAVE SUFFIX - 0 TO 9			
ORIGINAL ISSUE	NOVEMBER 1987		PAGE :	1



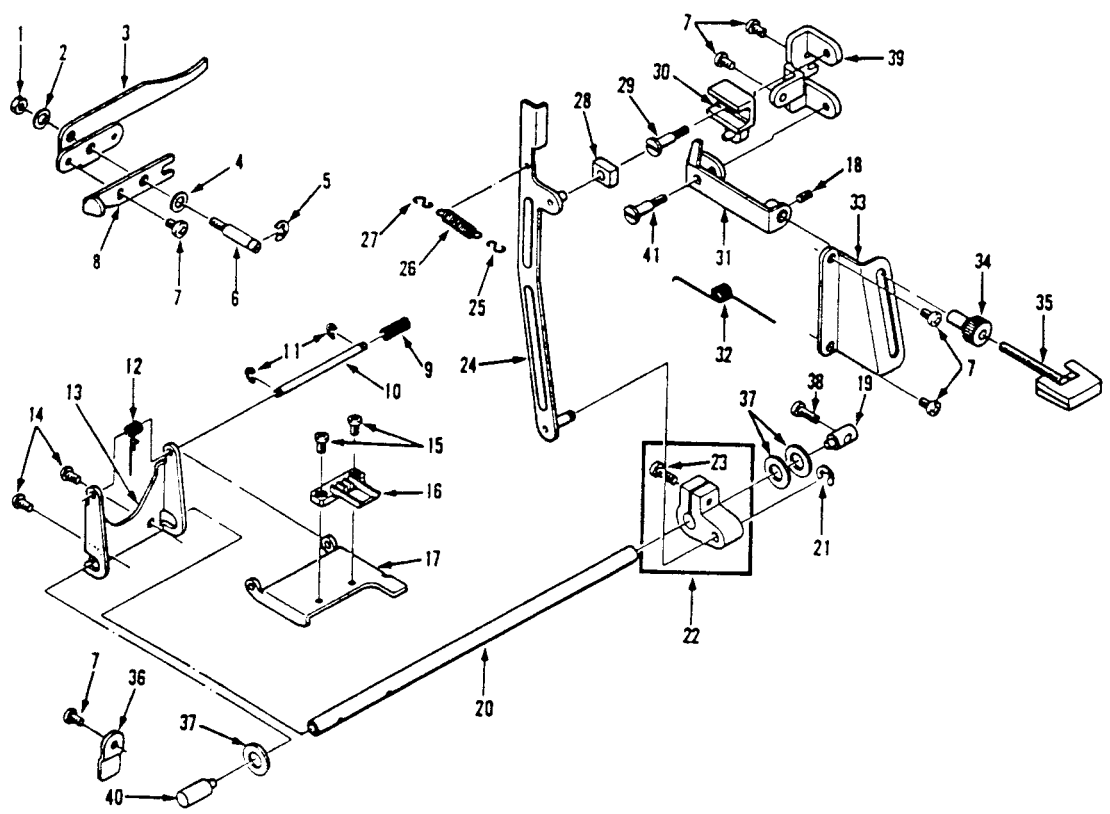
KEY NO.	FACTORY MODEL NO.	4836-5	DESCRIPTION	PART NO.	KEY NO.	FACTORY MODEL NO.	4836-5	DESCRIPTION	PART NO.
1			MAIN SHAFT	317599	13			CAM BASE	317581
2			SPRING PIN	317610	14			CAM A	317570
3			BULLEY	317688	15			CAM B	317571
4			THRUST WASHER	317530	16			M3.5 SCREW	317611
5			CLIP ON WASHER	317543	17			SPIRAL GEAR	317583
6			SET SCREW	317532	18			COLLAR	317586
7			SECURING PLATE	317632	19			SET SCREW	317580
8			BUSHING	317589	20			SET SCREW	317582
9			M3.5 SCREW	317642	21			SET SCREW	317587
10			WASHER	317643	22			SET SCREW	317587
11			M4 SCREW	317577	23			SPRING PIN	317583
12			M4 SCREW	317566	24			WASHER	317583
					25			WASHER	317589

MODEL	MINI SINGER 322	REVISION	SECTION :	2
FACTORY MODEL NO.	4836 MAY HAVE SUFFIX - 0 TO 9			
ORIGINAL ISSUE	NOVEMBER 1987		PAGE :	2



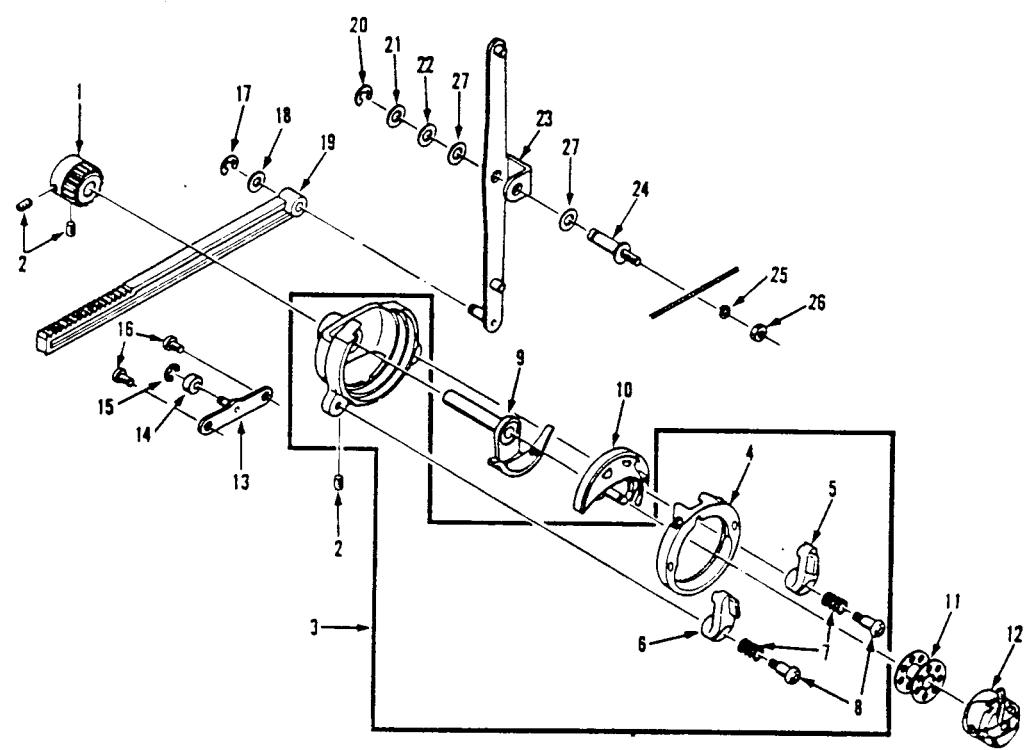
KEY NO.	FACTORY MODEL NO.	4836-5	DESCRIPTION	PART NO.	KEY NO.	FACTORY MODEL NO.	4836-5	DESCRIPTION	PART NO.
1	M4		SET SCREW	317544	29		ZIGZAG PRESSER	317650	
2	#6		SPRING WASHER	317511			FOOT		
3			SET SCREW	317504	30		PRESSER FOOT THUMB	317503	
4			COLLAR	317518			SCREW		
5			PRESSER BAR	317661	31	M4	SCREW	317568	
6			SUPPORT		32	M4	SCREW	317673	
7			CLIP ON WASHER	317507	33	M4	SCREW	317671	
8			TAKE-UP LEVER	317573	34	M4	SET SCREW	317676	
9			CLIP ON WASHER	317515	35		TENSION RELEASE	317674	
10	M4		STUD SCREW	317669			LEVER		
			PRESSER FOOT	317693	36		ZIGZAG GUIDE BAR	317580	
11			LIFTER		37		WASHER	317534	
12			WASHER	317524	38		SET SCREW	317532	
13			SHAFT	317670	39		SHAFT	317630	
14			SPRING	317666	40		WASHER	317523	
15			SPRING	317665	41		GEARED CAM	317582	
16			NEEDLE BAR SUPPORT	317653	42		ZIGZAG CAM	317585	
17			CLIP ON WASHER	317563	43		ZIGZAG DIAL	317657	
18			CONNECTING HOOD	317576	44		WASHER	317553	
19			NEEDLE BAR CRANK	317577	45		SPECIAL WASHER	317567	
20			NEEDLE BAR HOLDER	317700	46		DIAL PLATE	317634	
21			NEEDLE BAR	317587	47		NOTCH LEVER	317653	
22			NEEDLE CLAMP	317538	48	M4	SET SCREW	317544	
23	#6		SCREW	317655	49	M8	SCREW	317677	
24			THREAD GUIDE	317699	50		PRESSER BAR HOLDER	317662	
25			SET SCREW	317519					
26	M4		SCREW	317668	51		SPRING	317678	
27			ROLLER	317679	52	M4	SCREW	317673	
28			PRESSER BAR	317667	53		PRESSER BAR HOLDER	317663	
					54				
					55	M4	SCREW	317604	
							DIAL PLATE	317656	

MODEL	MINI SINGER 322	REVISION	SECTION :	2
FACTORY MODEL NO.	4836 MAY HAVE SUFFIX - 0 TO 9			
ORIGINAL ISSUE	NOVEMBER 1987		PAGE :	3



KEY NO.	FACTORY MODEL NO.	4836-5	DESCRIPTION	PART NO.	KEY NO.	FACTORY MODEL NO.	4836-5	DESCRIPTION	PART NO.
1			NUT	317569	22			FEED ARM B	317617
2			WASHER	317534	23			SET SCREW	317502
3			FEED LIFTING LEVER	317592	24			FEED OPERATING LEVER	317588
4			WASHER	317523	25			HOOK FOR SPRING	317521
5			CLIP ON WASHER	317515	26			SPRING	317621
6			M4 SCREW	317607	27			HOOK FOR SPRING	317514
7			SET SCREW	317532	28			SLIDE BLOCK	317522
8			FEED LIFTING ARM	317593	29			M4 STUD SCREW	317637
9			SPRING	317640	30			FEED REGULATOR LEVER	317646
10			SHAFT	317645	31			SPRING	317644
11			CLIP ON WASHER	317508	32			FEED LEVER GUIDE	317659
12			SPRING	317608	33			FEED LEVER	317598
13			FEED ARM A	317594	34			FEED LEVER GUIDE	317598
14			M4 PHILIPS SCREW	317531	35			STITCH LENGTH LEVER (BROWN)	317618
15			SET SCREW	317537	36			SECURING PLATE	317635
16			FEED DOG	317547	37			THRUST WASHER	317525
17			FEED BASE	317575	38			SET SCREW	317535
18			SET SCREW	317563	39			PLATE	317639
19			CENTER PIN	317683	40			CENTER PIN A	317682
20			FEED REGULATING SHAFT	317681	41			M4 STUD SCREW	317638
21			CLIP ON WASHER	317507					

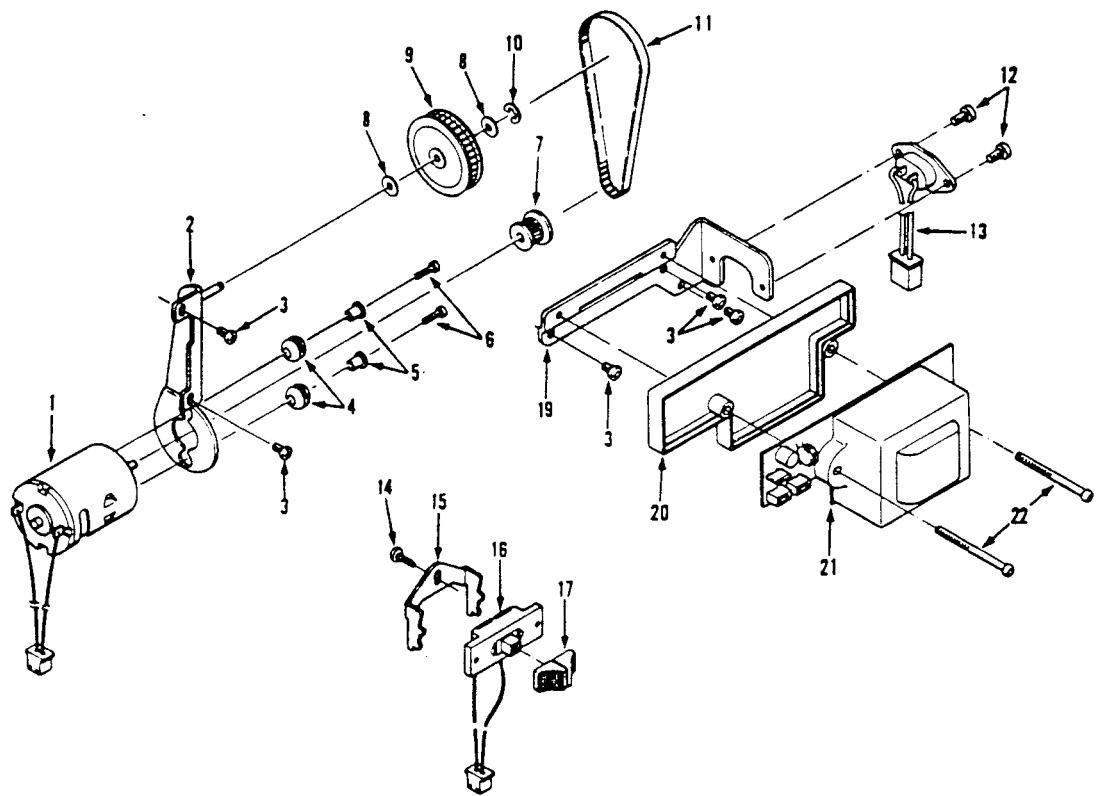
MODEL	MINI SINGER 322	REVISION	SECTION :	2
FACTORY MODEL NO.	4836 MAY HAVE SUFFIX - 0 TO 9			
ORIGINAL ISSUE	NOVEMBER 1987		PAGE :	4



KEY NO.	DESCRIPTION	PART NO.
1	GEAR	317651
2	M4 SCREW	317588
3	SHUTTLE RACE COMPLETE	317590
4	SHUTTLE COVER	317550
5	SHUTTLE RACE	317545
6	HINGED LATCH	317546
7	SPRING	317516
8	SCREW STUD	317526
9	SHUTTLE DRIVER	317589
10	SHUTTLE HOOK	317501
11	BOBBIN	317710
12	BOBBIN CASE	317549

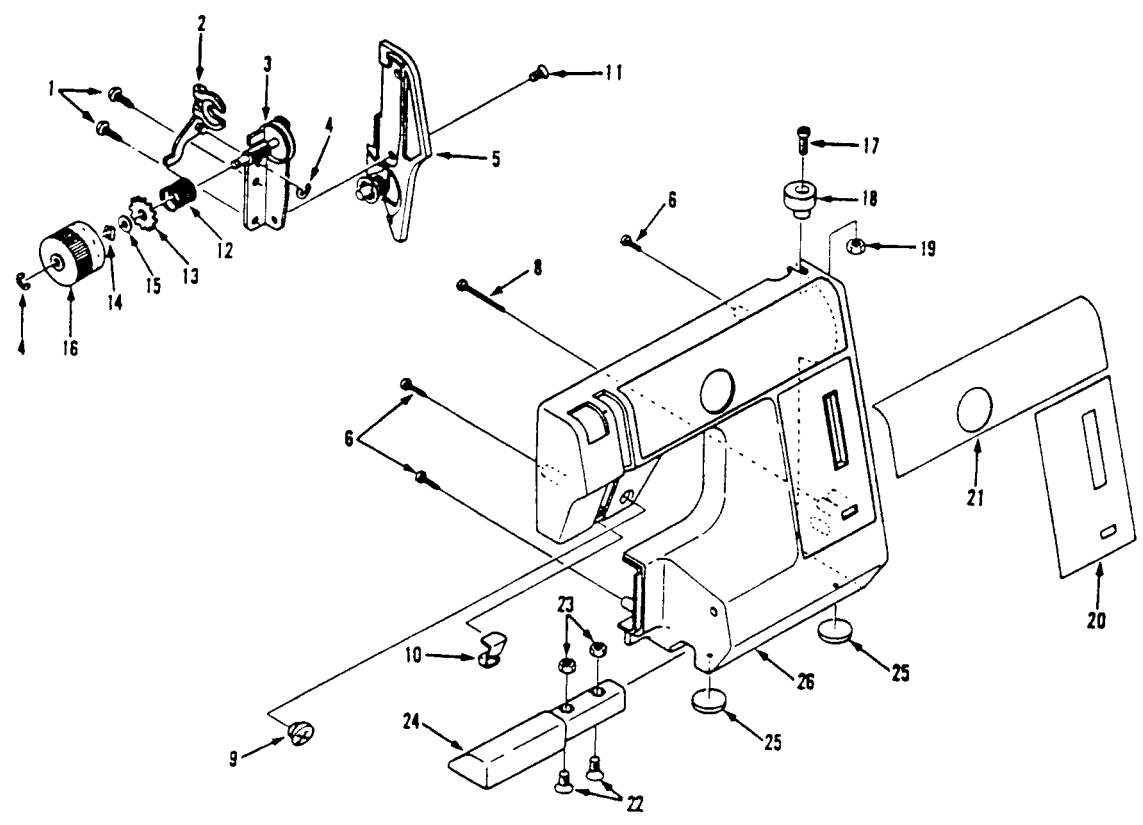
KEY NO.	DESCRIPTION	PART NO.
13	ROLLER BASE	317594
14	ROLLER	317601
15	CLIP ON WASHER	317508
16	SET SCREW	317532
17	CLIP ON WASHER	317507
18	WASHER	317579
19	RACK	317515
20	CLIP ON WASHER	317523
21	WASHER	317557
22	SHUTTLE DRIVING LEVER	317591
23	M4 SCREW	317672
24	#6 SPRING WASHER	317511
25	NUT	317569
26	WASHER	317540

MODEL	MINI SINGER 322	REVISION	SECTION :	2
FACTORY MODEL NO.	4836 MAY HAVE SUFFIX - 0 TO 9			
ORIGINAL ISSUE	NOVEMBER 1987		PAGE :	5



KEY NO.	FACTORY MODEL NO.	4836-5	DESCRIPTION	PART NO.	KEY NO.	FACTORY MODEL NO.	4836-5	DESCRIPTION	PART NO.
1			MOTOR	317647	12			M3 SET SCREW	317541
2			MOTOR BRACKET	317625	13			TERMINAL BRACKET	317626
3			SET SCREW	317532	14			M4 TAPPING SCREW	317619
4			RUBBER BUSH	317623	15			BRACKET	317603
5			BUSH	317624	16			SWITCH	317899
6			M3 SCREW	317627	17			SWITCH KNOB (BROWN)	317619
7			MOTOR RULLEY	317684	19			BRACKET	317640
8			THRUST WASHER	317525	20			INSULATING BOX	317632
9			IDLER GEAR	317595	21			RECTIFIER CIRCUIT	317648
10			CLIP ON WASHER	317508	22			M5 SCREW	317642
11			TIMING BELT	317685					

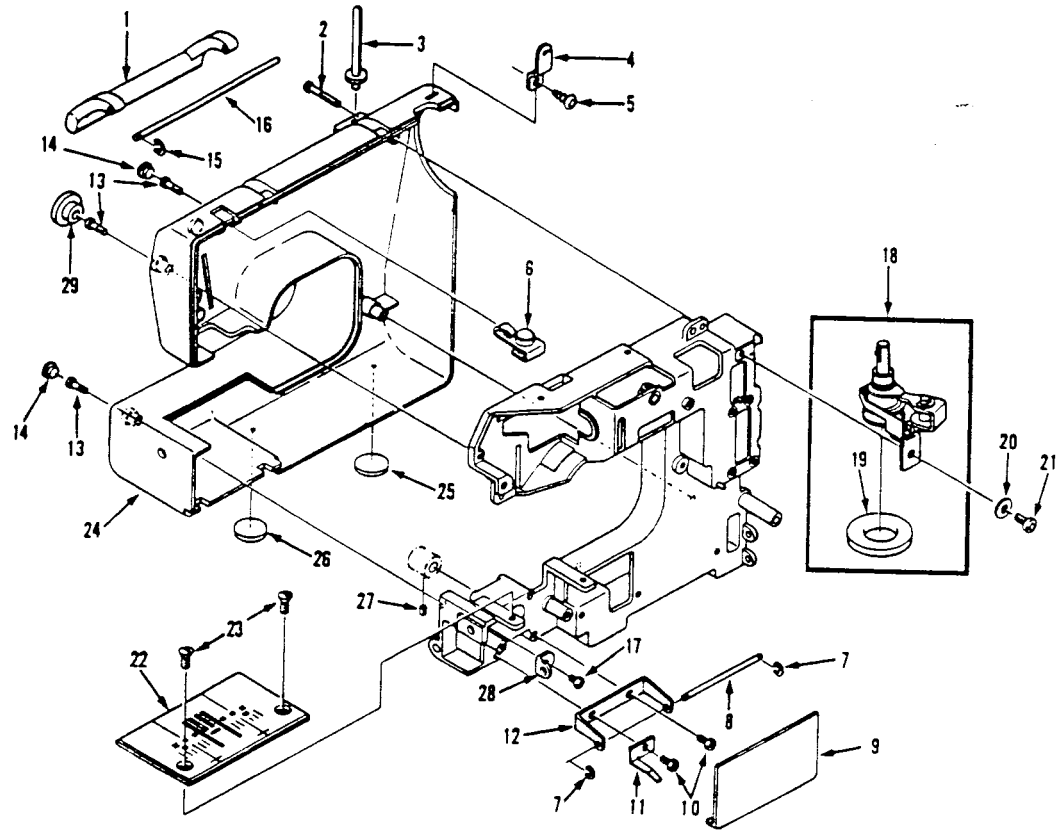
MODEL	MINI SINGER 322	REVISION	SECTION :	2
FACTORY MODEL NO.	4836 MAY HAVE SUFFIX - 0 TO 9			
ORIGINAL ISSUE	NOVEMBER 1987		PAGE :	6



KEY NO.	DESCRIPTION	PART NO.
1	M4 TAPPING SCREW	317616
2	TENSION RELEASE LEVER	317597
3	THREAD TENSION DISC UNIT	317609
4	CLIP ON WASHER	317508
5	TENSION SPRING UNIT	317689
6	M4 TAPPING SCREW	317613
8	M4 TAPPING SCREW	317614
9	CAP	317596
10	THREAD GUIDE	317596
11	M4 SCREW	317622
12	SPRING	317602

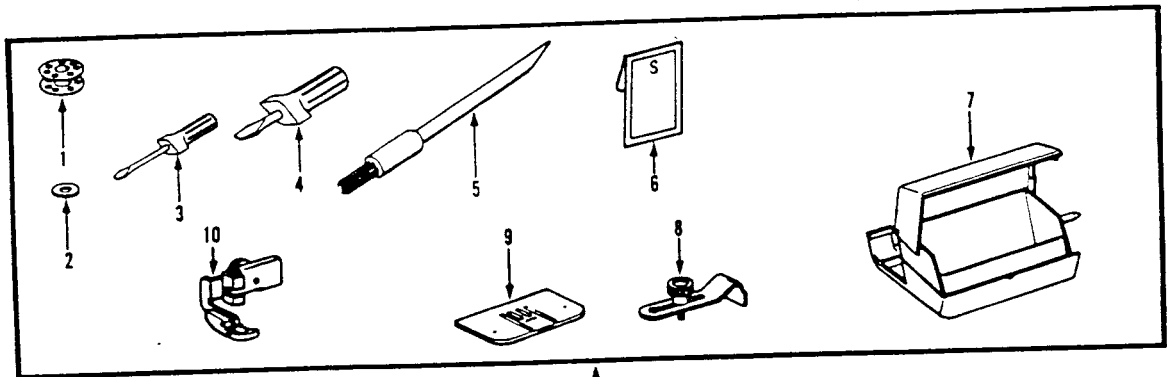
KEY NO.	DESCRIPTION	PART NO.
13	TOOTHED WASHER	317521
14	CRINKLE WASHER	317520
15	WASHER	317554
16	THREAD TENSION DIAL	317658
17	SET SCREW	317558
18	PLASTIC BOBBIN CAM	317566
19	#6 NUT	317513
20	SEAL	317706
21	SEAL	317705
22	M4 SCREW	317564
23	NUT	317569
24	FRONT SUPPORT	317688
25	RUBBER CUSHION	317559
26	FRONT COVER	317697

MODEL	MINI SINGER 322	REVISION	SECTION :	2
FACTORY MODEL NO.	4836 MAY HAVE SUFFIX - 0 TO 9			
ORIGINAL ISSUE	NOVEMBER, 1987		PAGE :	7



KEY NO.	FACTORY MODEL NO.	4836-5	DESCRIPTION	PART NO.	KEY NO.	FACTORY MODEL NO.	4836-5	DESCRIPTION	PART NO.
1			CARRYING HANDLE	317691	16			SHAFT	317605
2			M4 SCREW	317634	17			M4 PHILIPS SCREW	317562
3			SPOOL PIN	317692	18			BOBBIN WINDER	317694
4			THREAD GUIDE	317699	19			BOBBIN WINDER RING	317510
5			SET SCREW	317697	20			WASHER	317506
6			THREAD GUIDE	317680	21			M4 SCREW	317555
7			CLIP ON WASHER	317517	22			NEEDLE PLATE	317620
8			SHAFT	317606	23			M4 SET SCREW	317560
9			SHUTTLE COVER	317572	24			REAR COVER	317690
10			M4 SCREW	317654	25			RUBBER CUSHION	317559
11			PLATE SPRING	317600	26			RUBBER CUSHION	317643
12			COVER HINGE	317586	27			M4 SCREW	317568
13			M4 PHILIPS SCREW	317641	28			PLATE	317636
14			ARM CAP	317655	29			CAP	317686
15			WASHER	317628					

MODEL	MINI SINGER 322	REVISION	SECTION : 2
FACTORY MODEL NO.	4836 MAY HAVE SUFFIX - 0 TO 9		
ORIGINAL ISSUE	NOVEMBER, 1987		PAGE : 8



KEY NO.	FACTORY MODEL NO.	4836-5	PART NO.	KEY NO.	FACTORY MODEL NO.	4836-5	PART NO.
	DESCRIPTION				DESCRIPTION		
1	BOBBIN		317710	8	CLOTH GUIDE		317633
2	SPOOL PIN DISC		317530	9	DARNING PLATE		317548
3	SMALL SCREW DRIVER		317703	10	HINGED ZIPPER FOOT		317529
4	LARGE SCREW DRIVER		317702	11	ACCESSORY SET		317551
5	CLEANING BRUSH		317701	12	DUST COVER		317631
7	ACCESSORY BOX		317698	13	INSTRUCTION BOOK		505257-322
				14	FOOT SWITCH		317704