

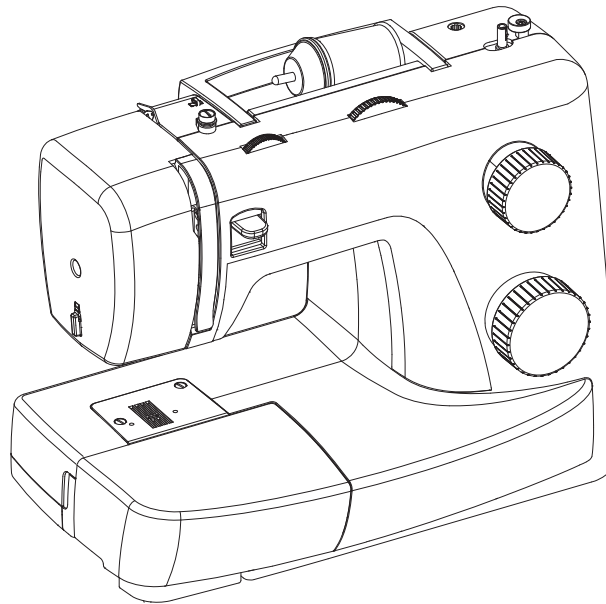


SINGER

3210

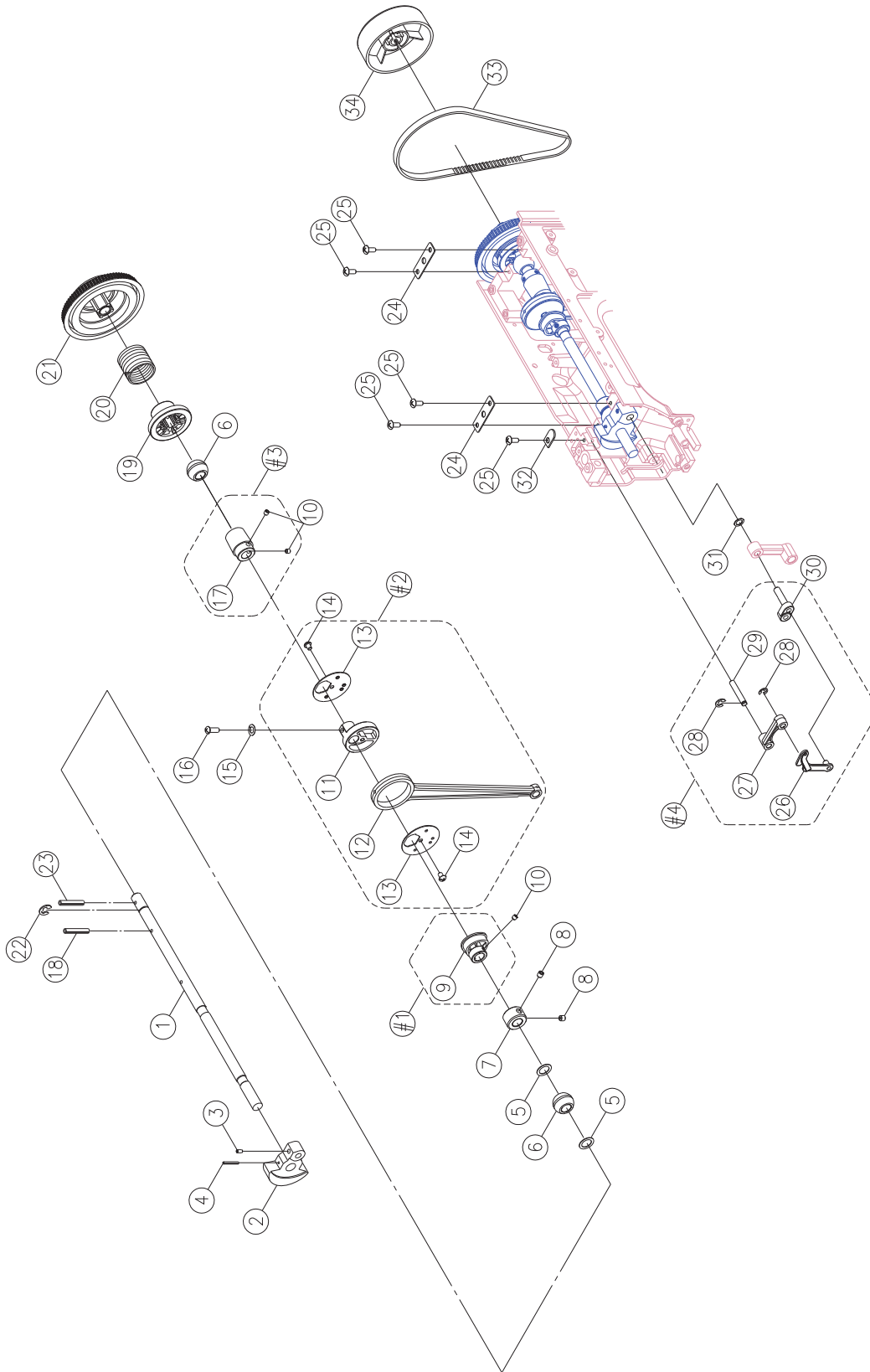
3223

3229



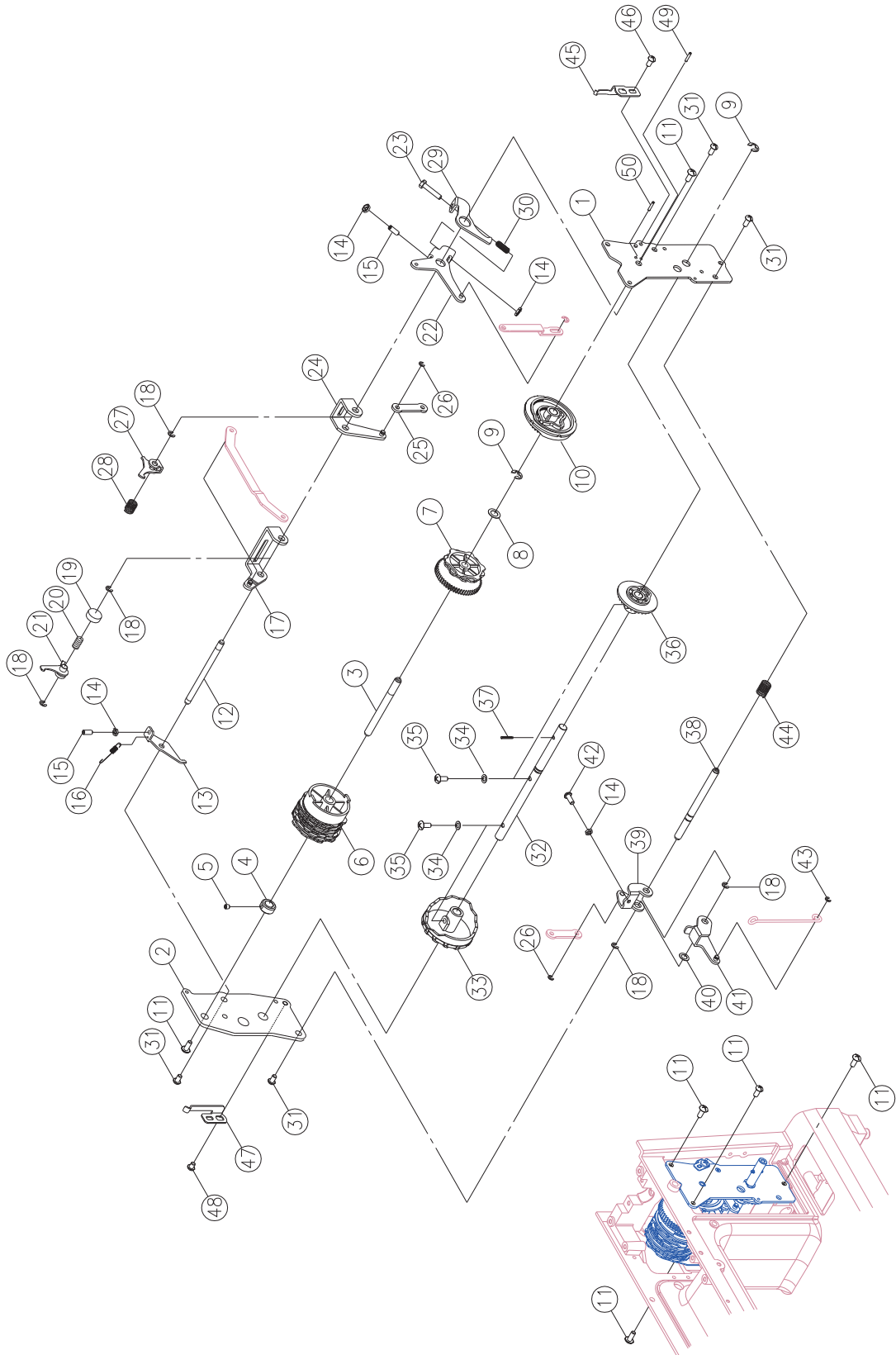
Liste de pièces
Lista de Piezas
Parts List

A

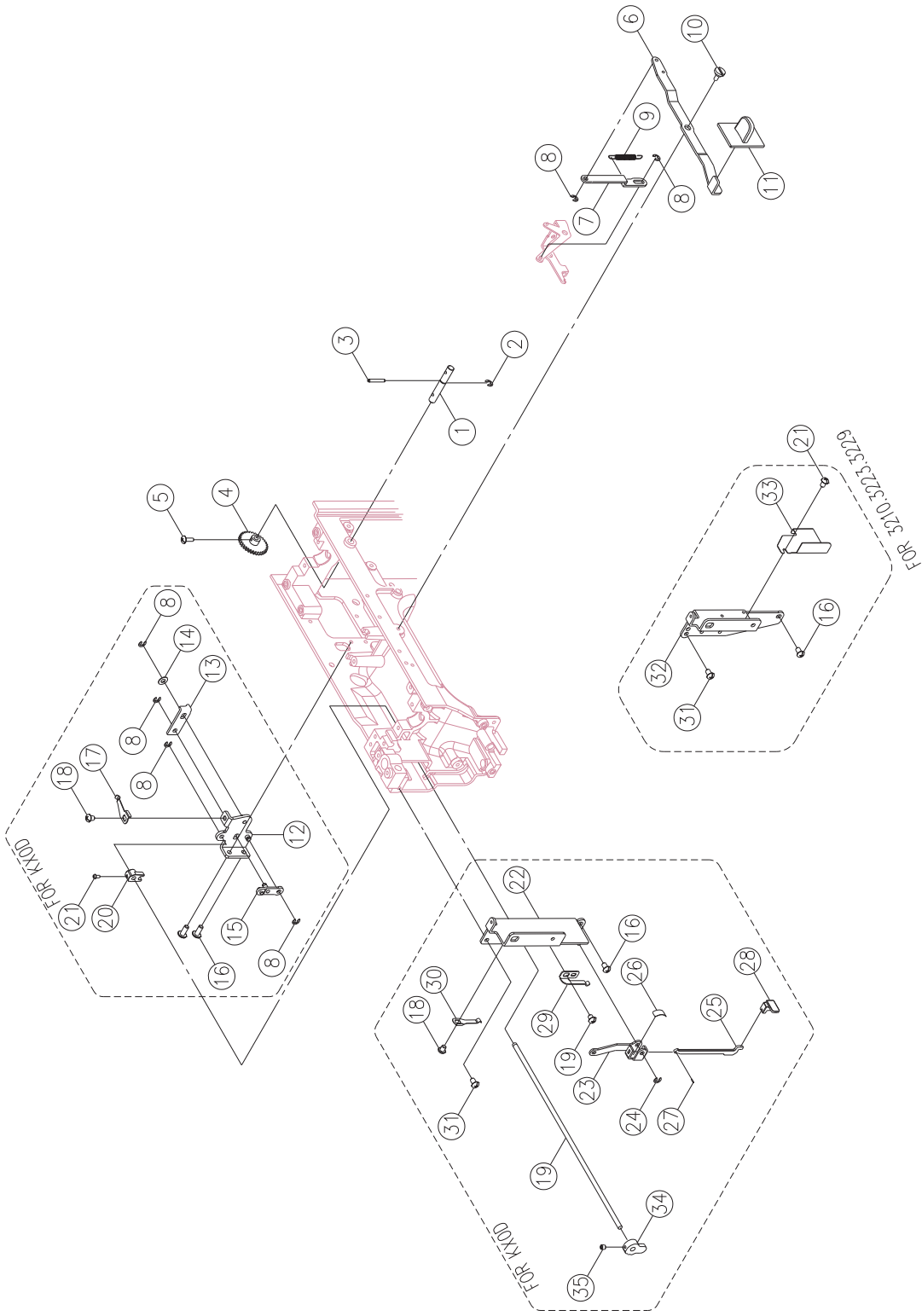


Pos	Part No.	Description
1	416604501	ARM SHAFT
2	270 V61473000	ARM SHAFT BALANCE
3	416122101	SET SCREW(M4×6 C)
4	270 003043524	ARM SHAFT BALANCE PIN (φ3.5×24)
5	270 004400080	ENDURE ATTRITION WASHER (10.2×15×0.5)
6	416156301	ARM SHAFT BUSING
7	416156501	ARM SHAFT COLLAR
8	270 004250203	SET SCREW(M5×5 C)
9	270 G4A0533000	FEED CAM
10	416122401	SET SCREW(M4×4 C)
11	416604601	CRANK CONNECTING ROD CAM
12	416604601	CRANK CONNECTING ROD
13	416604601	CRANK CONNECTING ROD COVER
14	416604601	SET SCREW (M4X4 B)
15	270 004600026	WASHER(4.2×7.2×1.2)
16	270 004107063	SET SCREW(11/64×40×12)
17	416542601	ARM SHAFT WORM
18	270 003043028	SPRING PIN(φ3×28)
19	416307201	ARM SHAFT COLLAR
20	270 D5A0573003	ARM SHAFT CLUTCH ANNULUS SPRING
21	270 D5A0563000	ARM SHAFT DRIVER BELT PULLEY
22	416542901	E-RING (ETW-8)
23	270 003043030	SPRING PIN(φ3×30)
24	416161701	ARM SHAFT BUSHING HOLDER PLATE
25	416121501	SET SCREW(M4×8 A)
26	270 E1A2513001	THREAD TAKE UP LEVER
27	416157901	THREAD TAKE UP LEVER SUPPORTER
28	416116101	E-RING (ETW-4)
29	270 V60223003	THREAD TAKE UP LEVER SUPPORTER SHAFT
30	416158001	ARM SHAFT BALANCE PIN
31	270 0044000020	ENDURE ATTRITION WASHER (6.2×12×0.25)
32	416152201	CARRYING HANDLE PLATE
33	270 007158XXL5	MOTOR DRIVE BELT (158XXL)
34	416495001	HAND WHEEL
#1	270 G4A0535000	FEED CAM COMPLETE
#2	416604601	CRANK CONNECTING ROD COMPLETE
#3	416604701	ARM SHAFT WORM COMPLETE
#4	270 E1A2534000	THREAD TAKE UP LEVER COMPLETE

B



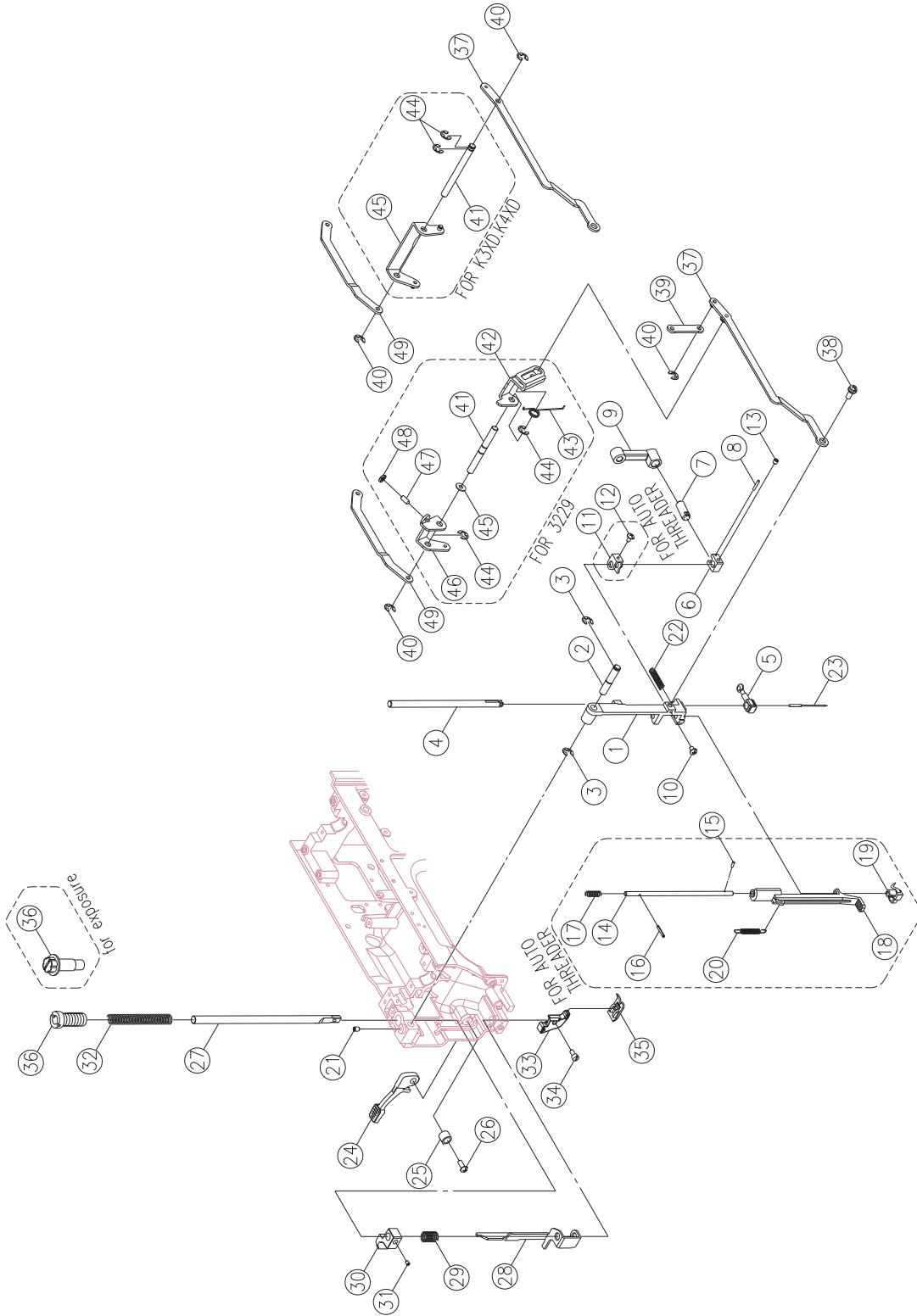
Pos	Part No.	Description	
1	416596801	PATTERN CAM CONTACT PLATE (FRONT)	
2	416543701	PATTERN CAM CONTACT PLATE (BACK)	
3	416543801	PATTERN CAM SHAFT	
4	270 G2D0335000	PATTERN CAM SHAFT COLLAR	
5	416122401	SET SCREW(M4×4C)	
6	270 K6A0263000	PATTERN CAM	
7	416427901	SS CAM	
8	270 004300863	WASHER(φ8.2×φ14×0.5)	
9	416116401	E-RING (ETW-6)	
10	270 K6B0033000	FEED REGULATOR CAM	
11	416121501	SET SCREW (M4×8 A)	
12	416598001	ZIGZAG CAM CONTACT SUPPORTER SHAFT	
13	416544901	ZIGZAG RELEASE PLATE	
14	416126801	NUT (ALN-4)	
15	416185501	SET SCREW (M4×0.7 L9)	
16	416545001	ZIGZAG RELEASE PLATE SPRING	
17	416604801	ZIGZAG CAM CONTACT SUPPORTER	
18	270 003010056	E-RING (ETW-5)	
19	416545301	SPRING PEDESTAL	
20	416517801	ZIGZAG CAM CONTACT SPRING	
21	416545501	ZIGZAG CAM CONTACT	
22	416554701	FEED ADJUST CRANK	
23	270 004240706	SET SCREW (M4×20)	
24	416605001	SS CAM CONTACT SUPPORTER	
25	416605101	FEED ROCK SHAFT	
26	416116001	E-RING (ETW-3)	
27	416597501	SS CAM CONTACT	FOR 3223, 3229
28	416166401	SS CAM CONTACT SPRING	FOR 3223, 3229
29	416554801	BH FEED CRANK	
30	270 V60813003	BH SPRING	
31	416119701	SET SCREW(M3×8 B)	
32	416641301	PATTERN SELECTOR CAM SHAFT	FOR 3210, 3223
32	416605201	PATTERN SELECTOR CAM SHAFT	FOR 3229
33	416641401	PATTERN SELECTOR CAM	FOR 3210, 3223
33	416554901	PATTERN SELECTOR CAM	FOR 3229
34	416185901	WASHER (φ4.2×φ9×0.5)	
35	416185201	SET SCREW (M4×10)	
36	416604401	BH PATTERN SELECTOR CAM	
37	416183901	SPRING PIN (Ø2.5×16)	
38	416605401	FEED CRANK SHAFT	
39	416605501	FEED ADJUSTING CRANK	
40	270 004300113	WASHER(φ6.7×φ14×0.8)	
41	416605601	CRANK SHAFT	
42	270 004240046	SET SCREW (M4×10B)	
43	270 003010046	E-RING (ETW-4)	
44	416641501	TENSION LEVER LIFTER SPRING	
45	416546501	FEED REGULATOR FIX PLATE	
46	416604601	SET SCREW (M4×4B)	
47	416195301	PATTERN FIX SPRING PLATE	
48	416226601	SET SCREW (M4×5B)	
49	416547101	SPRING PIN (Ø2.5×10)	FOR 3210
50	416555101	SPRING PIN (Ø2×8)	FOR 3210



TAKE CARE THE CIRCLED PARTS FOR THE MODEL YOU WANT.

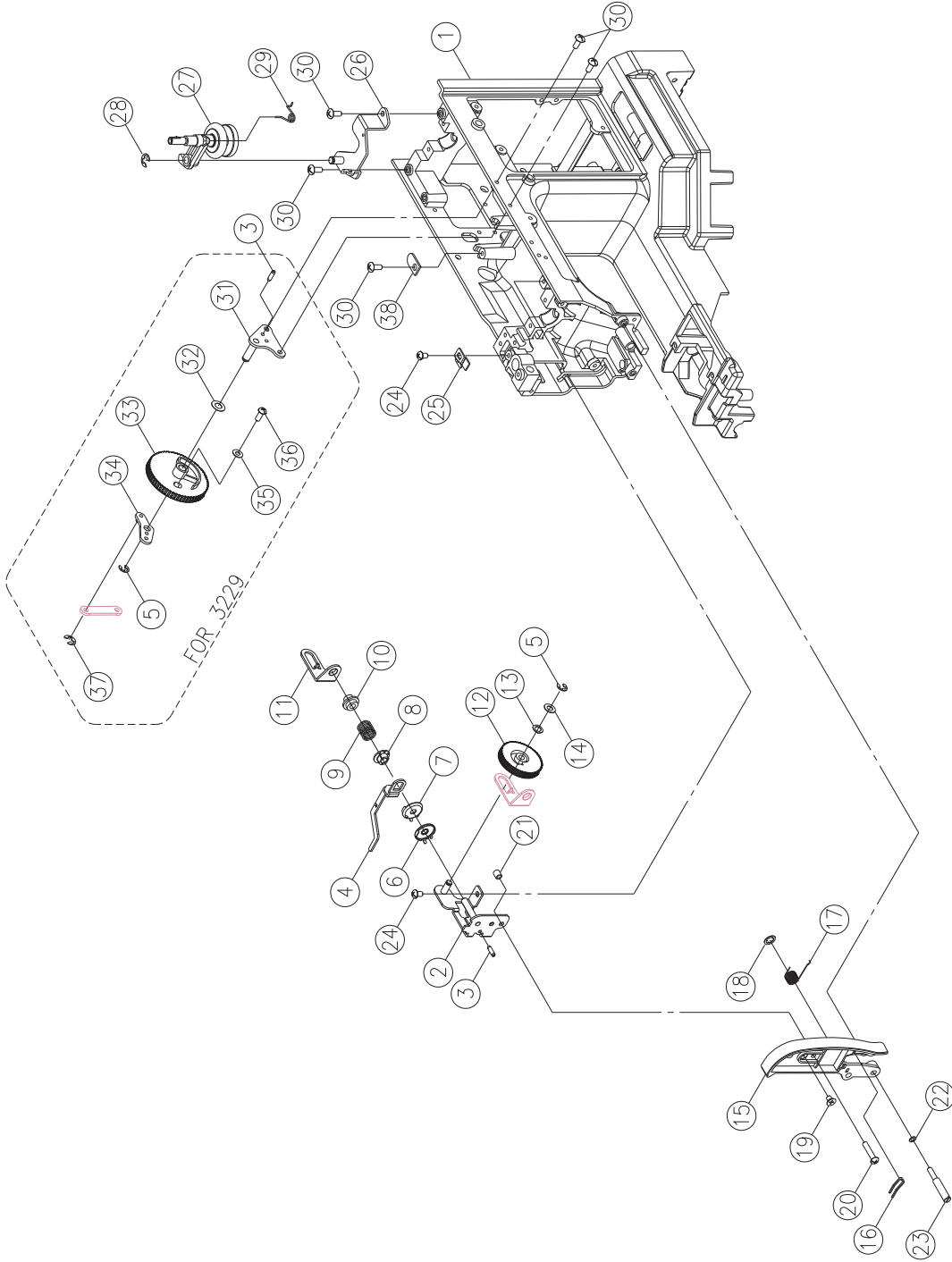
Pos	Part No.	Description
1	416605701	FEED REGULATOR DIAL SHAFT
2	416116301	E-RING (ETW-5)
3	416183901	SPRING PIN (Ø2.5×16)
4	416195501	FEED REGULATOR GEAR
5	416518401	SET SCREW (M3×8 A)
6	416495101	REVERSE LEVER
7	416551401	REVERSE ROD
8	416116001	E-RING (ETW-3)
9	416155001	AUTO THREADED LEVER SPRING
10	270 004240883	SET SCREW (M4×6)
11	416495201	REVERSE BUTTON
12		BH SELECTOR PLATE
13		BH SLIDE PLATE
14		WASHER(4.2×9×0.5)
15		BH SELECTOR PLATE
16	416121501	SET SCREW(M4×8 A)
17		BH CAM PLATE
18		SET SCREW (M4×5 B)
19		BH MOVEMENT CRANK COMPLETE
20		BH SELECT CRANK
21	270 004230056	SET SCREW (M3×5 B)
22		BH LEVER PLATE COMPLETE
23		BH LEVER CRANK
24		E-RING (ETW-3)
25		BH LEVER
26		BH LEVER SPRING PLATE
27		SPRING PIN (Ø1.6×5)
28		BH LEVER BUTTON
29		BH POSITIONED PLATE
30		BH POSITIONED PLATE
31	416121201	SET SCREW(M4×6 B)
32	416555301	LAMP BRACKET
33	270 E1A2373000	HEAT SHIELD

D



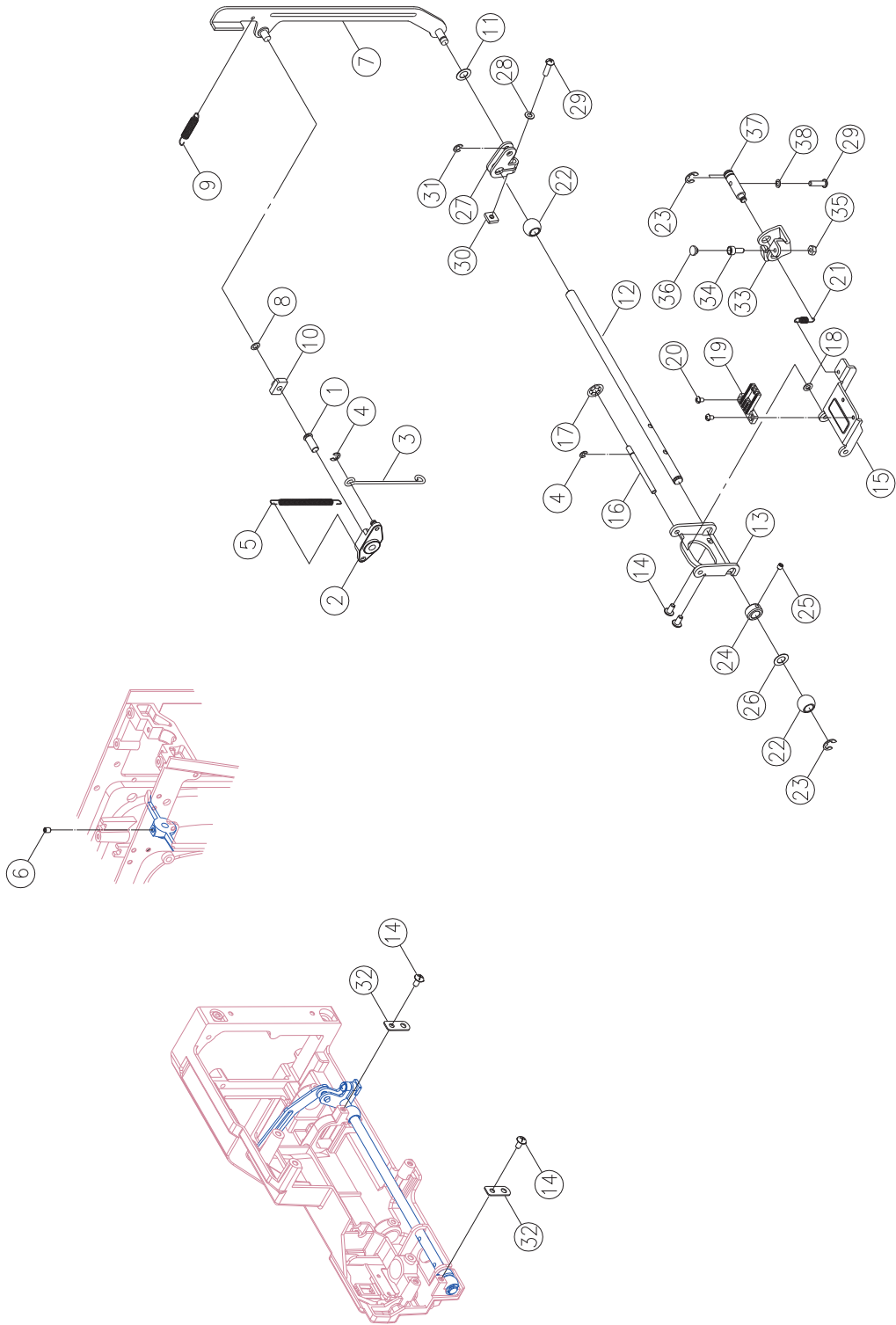
TAKE CARE THE CIRCLED PARTS FOR THE MODEL YOU WANT.

Pos	Part No.	Description	
1		NEEDLE BAR SUPPORTER	FOR AUTO THREADER
1	270 V61753002	NEEDLE BAR SUPPORTER	
2		NEEDLE BAR SUPPORTER PIN	FOR AUTO THREADER
2	270 R12723003	NEEDLE BAR SUPPORTER PIN	
3	270 003010056	E-RING (ETW-5)	
4	416173601	NEEDLE BAR	
5	416150301	NEEDLE CLAMP COMPLETE	
6	416638901	NEEDLE BAR BRACKET (1)	
7	416639001	NEEDLE BAR BRACKET (2)	
8	416572001	PIN (φ2×12)	
9	416639101	NEEDLE BAR CRANK ROD	
10	270 004106202	SET SCREW(9/64×40×6)	
11	416122401	SET SCREW (M4×4 C)	FOR AUTO THREADER
12	416154901	AUTO THREADER STOPPER	FOR AUTO THREADER
13	416119201	SET SCREW (M3×6 A)	
14	270 V61843002	AUTO THREADER SHAFT	
15	270 M70043000	SPRING PIN (φ2×6)	
16	416117201	SPRING PIN (φ2×14)	
17	416157401	AUTO THREADER SHAFT SPRING	
18	270 R10083000	AUTO THREADER LERER	
19	416145801	AUTO THREADER	
20	416155001	AUTO THREADER LERER SPRING	
21	416121001	SET SCREW (M4×5 C)	
22	416152701	NEEDLE BAR SUPPORTER SPRING	
23		NEEDLE	
24	416466901	PRESSER BAR LIFTER LEVER	
25	416162101	PRESSER BAR LIFTER LEVER SCREW WASHER	
26	416121101	SET SCREW (M4×10 B)	
27	416173401	PRESSER BAR	
28	416525901	TENSION LEVER LIFTER	
29	270 H10723003	TENSION LEVER LIFTER SPRING	
30	416151501	PRESSER BAR BRACKET	
31	416123801	SET SCREW(M6×5 C)	
32	416173501	PRESSER BAR SPRING	
33	416495501	SHANK COMPLETE	
34	416118401	SHANK SCREW (9/64×40×8)	
35	416128401	All purpose foot(J)	
36	270 Z11993211	PRESSER BAR REGULATING SCREW	FOR NON-EXPOSURE
36		PRESSER BAR REGULATING SCREW	FOR EXPOSURE
37	416639201	NEEDLE BAR DRIVING ROD	FOR 3210, 3223
37	270 V60175003	NEEDLE BAR DRIVING ROD COMPLETE	FOR 3229
38	416408701	NEEDLE BAR DRIVING ROD PIN	
39	416639301	ZIGZAG WIDTH CRANK ROD	FOR 3229
40	416116001	E-RING (ETW-3)	FOR 3229
41	416639401	ZIGZAG CONTACT SUPPORTER SHAFT	FOR K30D
41	416639501	ZIGZAG CONTACT SUPPORTER SHAFT	FOR 3229
42	416639601	ZIGZAG WIDTH REGULATING CAM BOX	FOR 3229
43	416639701	ZIGZAG WIDTH SPRING	FOR 3229
44	416116301	E-RING (ETW-5)	
45	270 004300493	WASHER(φ14×φ6.2×3)	FOR 3229
46	416639801	ZIGZAG REGULATOR CRANK	FOR 3223
46	416639901	ZIGZAG REGULATOR CRANK	FOR K50D, K60D
47	416185501	SET SCREW (M4×9)	FOR 3229
48	416126801	NUT (M4×0.7)	FOR 3229
49	416640001	ROD	



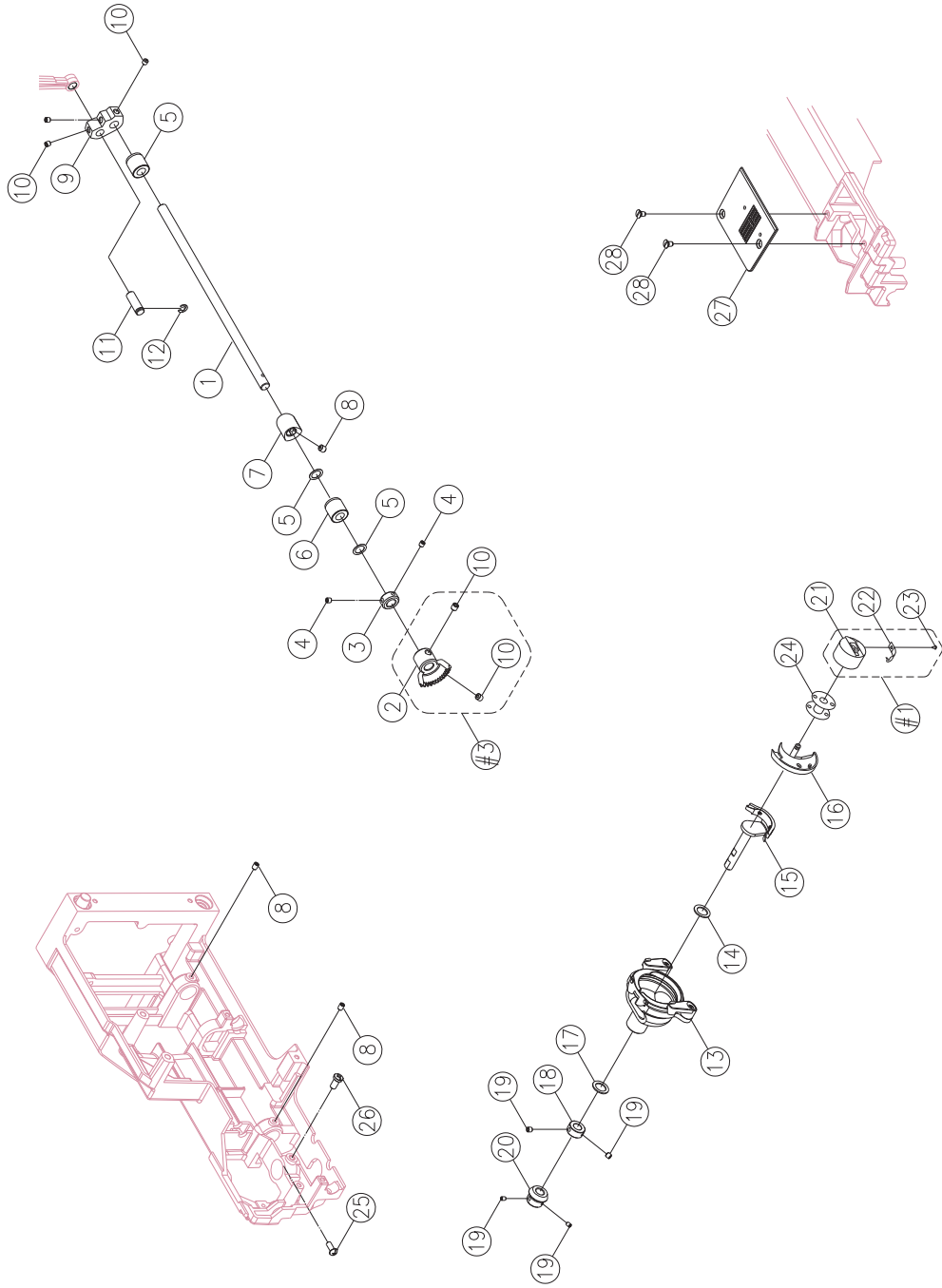
TAKE CARE THE CIRCLED PARTS FOR THE MODEL YOU WANT.

Pos	Part No.	Description	
1	N/A	ARM	
2	416772001	DIAL TENSION SUPPORTER PLATE	
3	416117501	SPRING PIN (ϕ 3×10)	
4	416735101	DIAL TENSION WAFT PLATE	
5	416116101	E-RING (ETW-4)	
6	416153601	DIAL TENSION DISC (1)	
7	416146301	DIAL TENSION DISC	
8	416526801	DIAL TENSION SPRING REGULATOR	
9	416772201	DIAL TENSION SPRING	
10	416153801	DIAL TENSION REGULATOR	
11	270 V60273006	DIAL TENSION SPRING PLATE	
12	416498301	DIAL TENSION KNOB	
13	416126001	WASHER (WW-5)	
14	416124501	WASHER (ϕ 5.2× ϕ 10×0.5)	
15	416495601	DIAL TENSION SUPPORTER PLATE COVER	
16	416198701	THREAD GUIDE	
17	270 V60303000	DIAL TENSION SPRING	
18	416116701	CS-RING (CSTW-5)	
19	416121901	SET SCREW (M4×6 D)	
20	416121701	SET SCREW (M4×15 B)	
21	416151701	DIAL TENSION GUIDE SPRING TUBE	
22	416124101	WASHER (ϕ 4.2× ϕ 8×0.8)	
23	270 004241412	SET SCREW (M4×0.7 L42)	
24	416121201	SET SCREW(M4×6 B)	
25	416527201	TENSION LEVER REGULATING PLATE	
26	416640201	BOBBIN WINDER FRAME PLATE COMPLETE	
27	270 K6A0555000	BOBBIN WINDER CRANK COMPLETE	
28	416116301	E-RING (ETW-5)	
29	270 K6A0573003	BOBBIN WINDER CRANK SPRING	
30	416121501	SET SCREW(M4×8 A)	
31	416640301	ZIGZAG WIDTH DIAL PLATE	FOR 3229
32	416186901	WASHER	FOR 3229
33	416495701	ZIGZAG WIDTH DIAL	FOR 3229
34	416602901	ZIGZAG WIDTH CRANK	FOR 3229
35	416185901	WASHER (4.2×10×0.5)	FOR 3229
36	416121101	SET SCREW (M4×10 B)	FOR 3229
37	416116001	E-RING (ETW-3)	FOR 3229
38	416152201	CARRYING HANDLE PLATE	

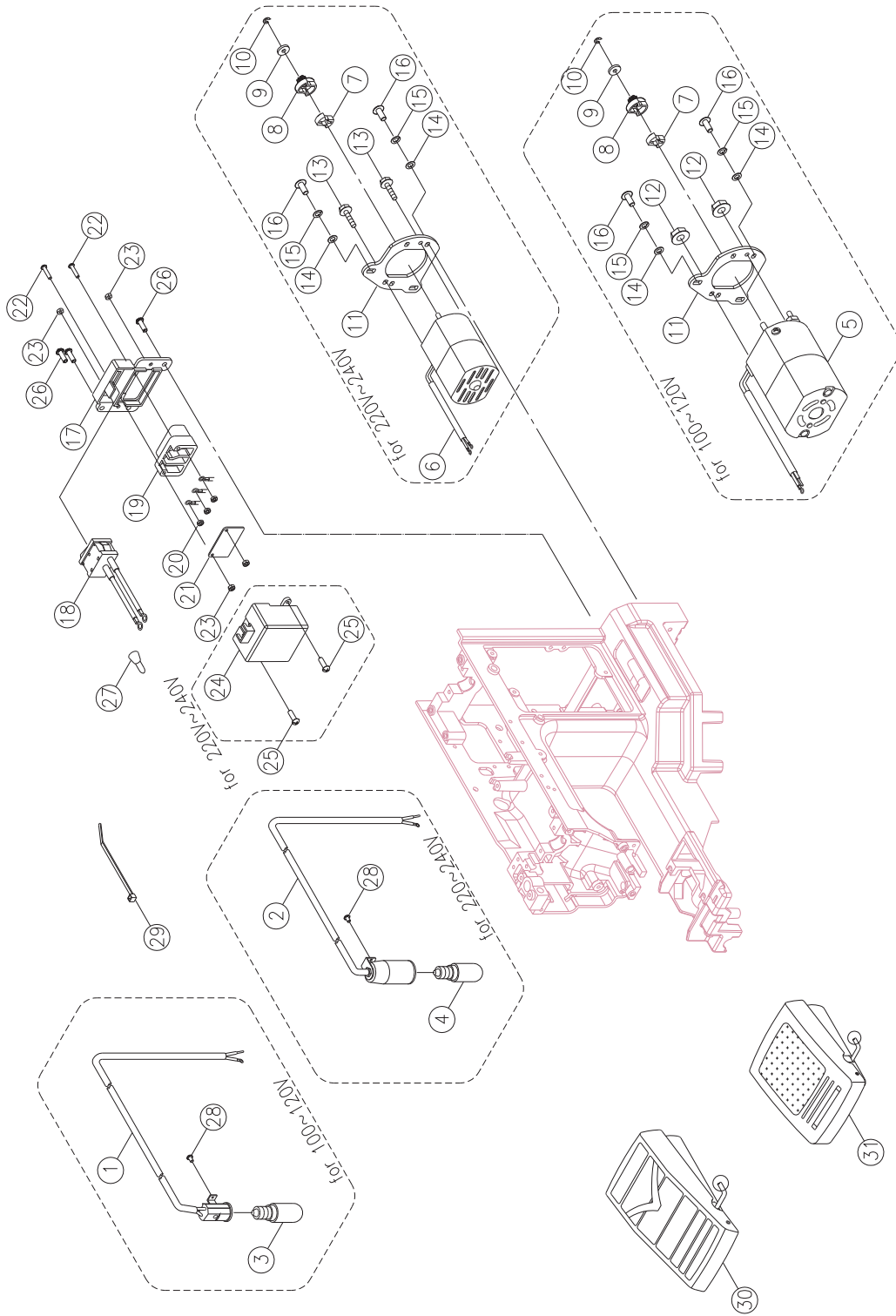


Pos	Part No.	Description
1	416640401	FEED REGULATING SHAFT
2	416640501	FEED REGULATING
3	416640601	FEED ROD
4	270 003010046	E-RING (ETW-4)
5	416640701	FEED REGULATING SPRING
6	416122101	SET SCREW (M4×6 C)
7	270 V60453003	FORK ROD
8	270 004400180	ENDURE ATTRITION WASHER (5.7×10.2×0.5)
9	270 V60463003	FORK ROD SPRING
10	270 V11533000	FEED REGULATING BLOCK
11	270 004400450	ENDURE ATTRITION WASHER (5.5×12×0.25)
12	270 V60483000	FEED ROCK SHAFT
13	270 V60493003	FEET ROCK FRAME
14	416121501	SET SCREW (M4×8 A)
15	270 V60503003	FEED DOG FRAME
16	270 V60513003	FEED DOG FRAME SHAFT
17	270 003090043	NUT (SPN-4)
18	416124101	WASHER
19	416171601	FEET DOG
20	270 004230056	SET SCREW (M3×5 B)
21	270 V60533003	FEED DOG FRAME SPRING
22	270 V60343000	FEED ROCK BUSHING
23	416116401	E-RING (ETW-6)
24	270 G2D0335000	PATTERN CAM SHAFT COLLAR
25	416122401	SET SCREW (M4×4 C)
26	270 004400410	ENDURE ATTRITION WASHER (8.2×12×0.25)
27	270 V60553003	FEED ROCK CRANK
28	270 004300093	WASHER (4×8×0.5)
29	416121701	SET SCREW (M4×15 B)
30	270 004840073	FEED ROCK CRANK NUT (M4)
31	416116101	E-RING (ETW-4)
32	270 V60563003	BUSHING HOLDER PLATE
33	270 V60583003	FEED LIFTING ROCK CRANK
34	270 004250323	SEW SCREW
35	270 004840022	NUT (M4 t=3)
36	270 K81243000	SEW SCREW KNOB
37	416164901	FEED LIFTING ROCK SHAFT
38	270 004600026	WASHER (4.2×7.2×1.2)

G

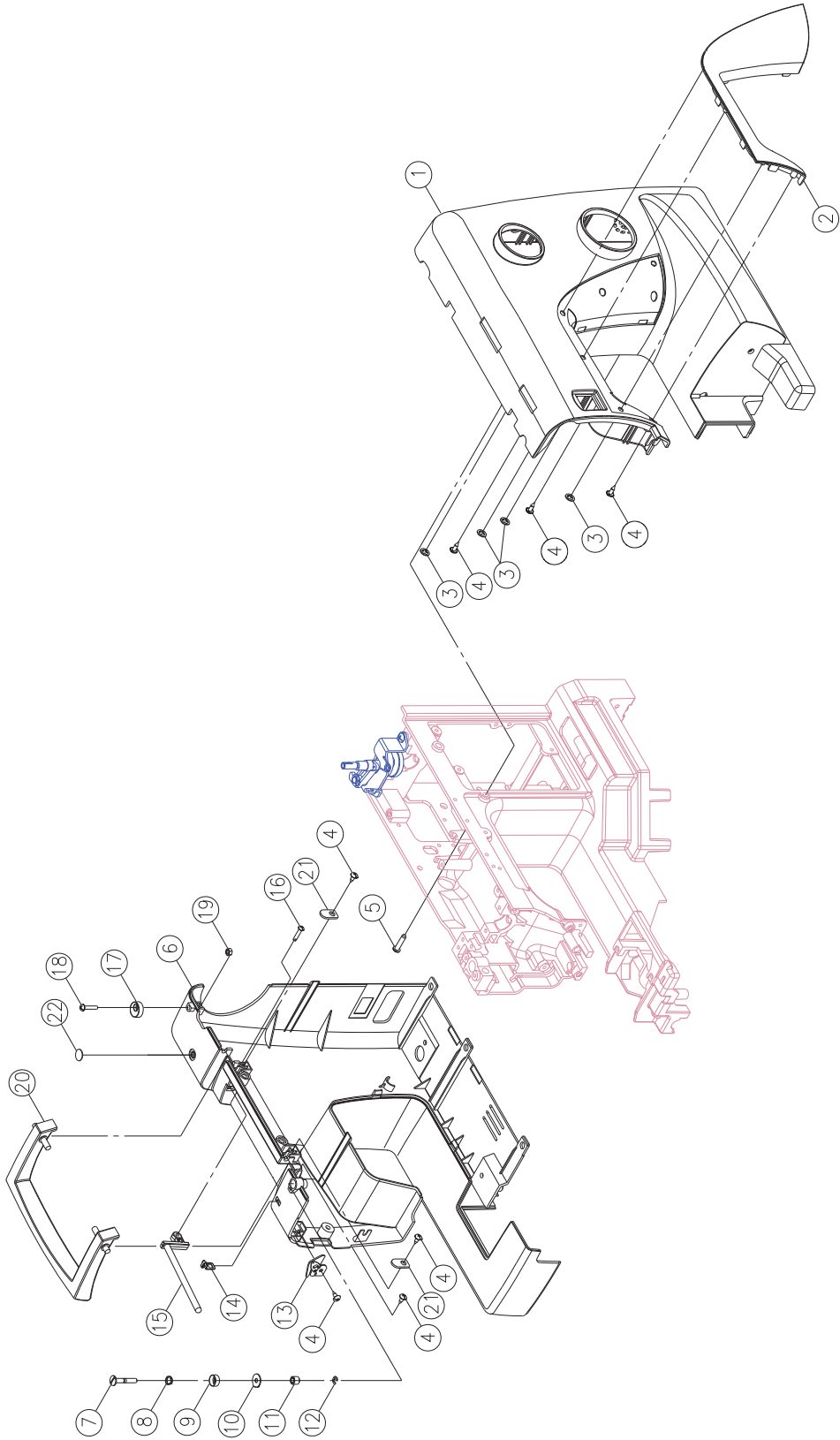


Pos	Part No.	Description
1	270 V620223000	LOWER SHAFT
2	270 G4A1573000	LOWER SHAFT GEAR
3	416520801	LOWER SHAFT COLLAR
4	416122401	SET SCREW (M4X4C)
5	270 004400410	ENDURE ATTRITION WASHER (8.2X12X0.25)
6	416141701	FEED ROCK BUSHING
7	270 V6E1123000	FEED LIFTING ROCK CAM
8	416122101	SET SCREW (M4X6C)
9	270 V60363000	CRANK CONNECTING ROD CRANK
10	270 004250203	SET SCREW (M5X5C)
11	270 V10833003	CRANK CONNECTING ROD CRANK PIN
12	416116301	E-RING (ETW-5)
13	270 V10995000	OPEN SHUTTLE RACE COMPLETE
14	270 004400800	ENDURE ATTRITION WASHER (7.6×12×0.13)
15	270 K81125000	SHUTTLE DRIVER COMPLETE
16	416392101	SHUTTLE HOOK (4.6MM)
17	270 004400210	ENDURE ATTRITION WASHER (8.2×16×0.5)
18	270 G2D0325000	SHUTTLE DRIVER SHAFT COLLAR
19	270 004107293	SET SCREW(11/64×40×4)
20	270 G4A1583000	SHUTTLE DRIVER SHAFT GEAR
21	416153501	BOBBIN CASE
22	270 H13803001	BOBBIN CASE SPRING
23	416152601	BOBBIN CASE SPRING SET SCREW
24	416127601	BOBBIN
25	270 004240046	SET SCREW (M4X10B)
26	270 004250151	SET SCREW (M5X10B)
27	416171501	NEEDLE PLATE
28	416122901	NEEDLE PLATE COMPLETE SET SCREW
#1	416153401	BOBBIN CASE COMPLETE
#2	416245801	LOWER SHAFT GEAR COMPLETE

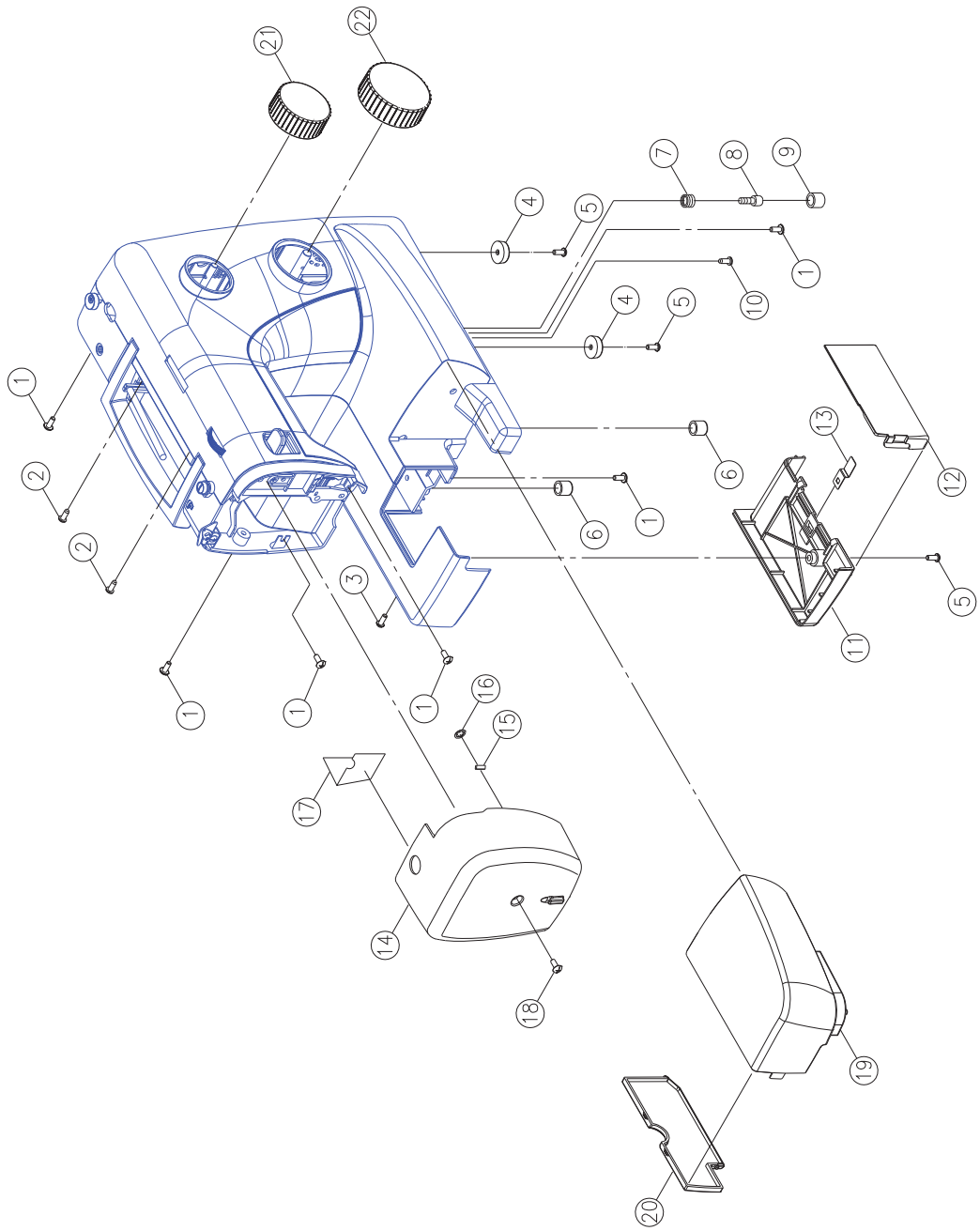


All voltage application & spec. please check next page.

Pos	Part No.	Description	
1	416428401	LAMP HOLDER COMPLETE	FOR 100~120V
2	416428501	LAMP HOLDER COMPLETE	FOR 220~240V
3	416467701	LAMP (15W)	FOR 120V
4	416766201	LAMP (15W E-12)	FOR 220V
4	416467801	LAMP (15W E-12)	FOR 230~240V
4	416127001	LAMP (15W E-12)	FOR 240V
5	416717601	MOTOR COMPLETE (HF-07150)	FOR 110V / TAIWAN
5	270 001351109	MOTOR COMPLETE (HF-07150)	FOR 120V / US
6		MOTOR COMPLETE (HF-06250)	FOR 220V / BRAZIL
6	270 001V881001	MOTOR COMPLETE (HF-07250)	FOR 220V / KOREA
6	416430001	MOTOR COMPLETE (HF-07250)	FOR 230V / E.U.R
6	416528101	MOTOR COMPLETE (HF-07250)	FOR 230V / DUBAI
6	270 001V881008	MOTOR COMPLETE (HF-07250)	FOR 230V / SAUDI ARABIA
6	270 001V881003	MOTOR COMPLETE (HF-09250)	FOR 240V / U.K
6	270 001V881005	MOTOR COMPLETE (HF-09250)	FOR 240V / SAA
7	416129401	CUSHION RUBBER	
8	270 002396029	BELT WHEEL	
9	416114001	MOTOR FEED REGULATOR COLLAR	
10	416116001	E-RING (ETW-3)	
11	416521415	MOTOR BRACKET	
12	270 004840131	NUT (M4 T=5.5)	FOR 100~120V
13	416521501	SET SCREW (M4×10.2)	FOR 220~240V
14	416124301	WASHER (5.4×10×0.9)	
15	416126201	SPRING WASHER (5.2×9×1)	
16	416224801	SET SCREW (M5×12)	
17	416640801	RECEPTACLE HOLDER	
18	416115001	SWITCH ASS'Y	
19	416184701	receptacle	
20	270 004840120	NUT (M3×4)	
21	416183601	CONCERT INSULATION PLATE	FOR 220~240V
22	416184901	SET SCREW (M3×20 B)	
23	416302901	NUT (M3 T=2.3)	
24	270 002248129	RECEPTACLE HOLDER COVER	FOR 220~240V
25	416119701	SET SCREW (M3×8 B)	FOR 220~240V
26	416121601	SET SCREW (M4×12 B)	
27	416133001	END TERMED	
28	270 004230056	SET SCREW (M3×5 B)	
29	416113901	CORD CLIP	
30	416640901	FOOT CONTROLLER (KD-1902)	FOR 110V / BRAZIL
30	416183301	FOOT CONTROLLER (KD-1902)	FOR 120V / US
31	416641001	FOOT CONTROLLER (KD-2902)	FOR 220V / BRAZIL
31	416766701	FOOT CONTROLLER (KD-2902)	FOR 220V / SAUDI ARABIA
31	270 002V881004	FOOT CONTROLLER (KD-2902)	FOR 220V / KOREA
31	416183101	FOOT CONTROLLER (KD-2902)	FOR 230V / E.U.R
31		FOOT CONTROLLER (KD-2902)	FOR 230V / SOUTH AFRICA
31		FOOT CONTROLLER (KD-2902)	FOR 230V / DUBAI
31	416717801	FOOT CONTROLLER (KD-2902)	FOR 230V / ARGENTINA
31	270 002V881002	FOOT CONTROLLER (KD-2902)	FOR 240V / U.K
31	416183701	FOOT CONTROLLER (KD-2902)	FOR 240V / SAA

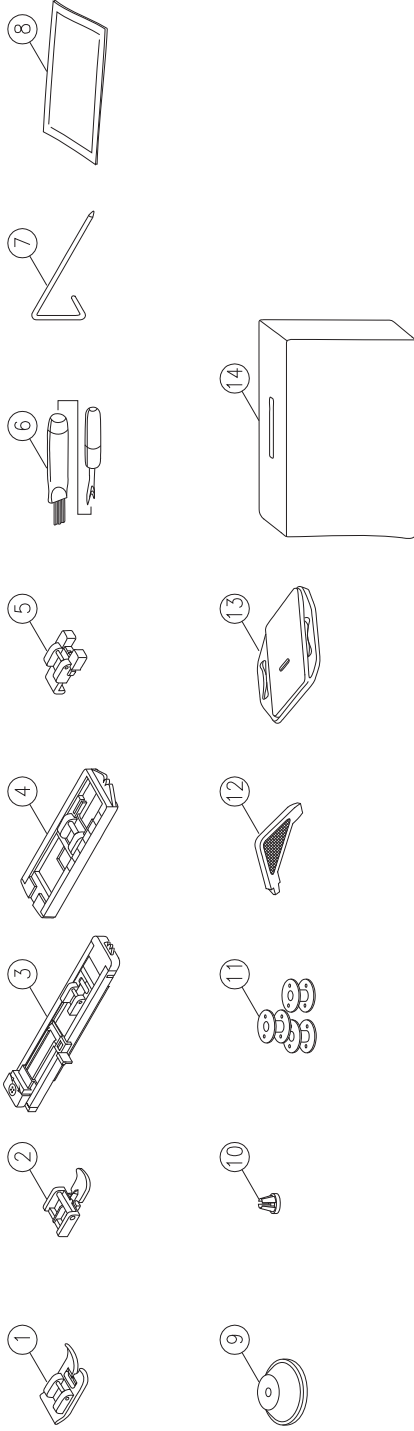


Pos	Part No.	Description	
1	416495801	FRONT COVER	FOR 3210, 3223
1	416496001	FRONT COVER	FOR 3229
2	416774001	FRONT DECORATED PLATE	FOR 3210
2	416641801	FRONT DECORATED PLATE	FOR 3223
2	416641901	FRONT DECORATED PLATE	FOR 3229
3	270 003020043	CS-RING (CSTW-4)	
4	270 004230216	SET SCREW (M3×8.5)	
5	270 004240186	SET SCREW (M4×15 B)	
6	416774101	BACK COVER	
7	416168101	BOBBIN WINDER THREAD GUIDE ADJUSTING	
8	416152401	BOBBIN WINDER THREAD GUIDE SPRING	
9	416152301	BOBBIN WINDER SPRING DISC	
10	416553801	BOBBIN WINDER THREAD GUIDE	
11	416146501	SPACER	
12	270 003010033	RING (ETW-3)	
13	416641101	THREAD GUIDE COMPLETE	
14	416145501	THREAD GUIDE	
15	416169501	SPOOL PIN BASE	
16	416641201	SET SCREW (M4×35 B)	
17	270 K6B0393000	BOBBIN WINDER	
18	416174001	SET SCREW (9/64×40×16)	
19	416126301	NUT (9/64×40 t=3)	
20	416496301	HANDLE	
21	416152201	SET WASHER	
22	270 V410123210	PLATE STICKER	

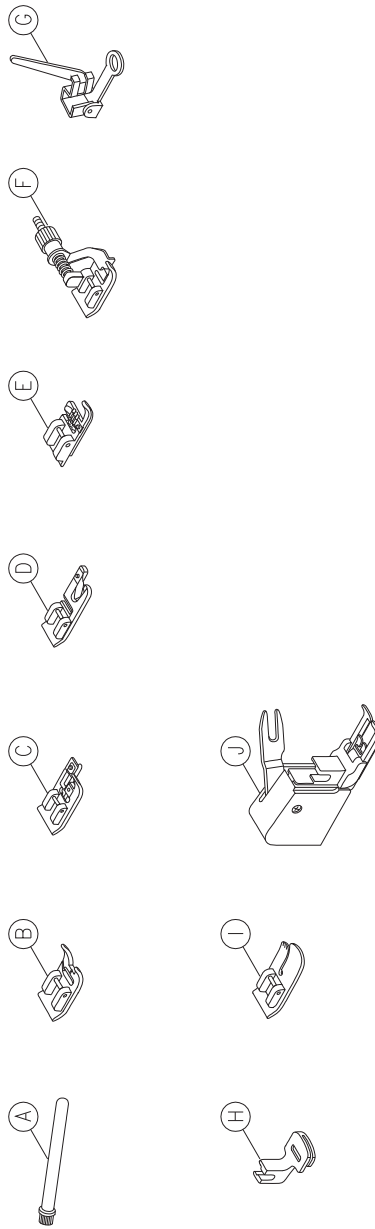


Pos	Part No.	Description	
1	416121501	SET SCREW (M4X8 A)	
2	416122201	SET SCREW (M4 X 10 B)	
3	416121601	SET SCREW (M4×12 B)	
4	270 J3141300	FREE ARM BASE CUSHION RUBBER	
5	416121101	SET SCREW (M4 X 10 B)	
6	416496401	FREE ARM BASE CUSHION RUBBER	
7	416154601	BASE PLATE ADJUSTMENT SCREW	
8	416154401	BASE PLATE ADJUSTMENT SCREW SPRING	
9	270 K6A006300	FREE ARM BASE CUSHION	
10	270 004240166	SET SCREW (M4X8 A)	
11	416496501	BED COVER	
12	416496601	HOOK COVER	
13	416421301	HOOK COVER SPRING	
14	416496701	FACE PLATE(WITHOUT HOLE FOR REGULATING)	
14		FACE PLATE(HOLE FOR REGULATING)	
15	416172501	CUTTER	
16	416116701	CS-RING (CSTW-5)	
17	416497701	HEAT RESISTANT PLATE	
18	416185401	SET SCREW (M4X10 A)	
19	416496801	SEWING TABLE BODY	
20	416496901	SEWING TABLE BODY COVER	
21	416774201	STITCH LENGTH DIAL	FOR 3210
21	416497101	STITCH LENGTH DIAL	FOR 3223, 3229
22	416774301	PATTERN DIAL	FOR 3210
22	416641601	PATTERN DIAL	FOR 3223
22	416641701	PATTERN DIAL	FOR 3229

STANDARD ACCESSORIES



OPTIONAL ACCESSORIES



Pos	Part No.	Description
1	416128401	ALL PURPOSE FOOT (J)
2	416128701	ZIPPER FOOT (I)
3		BUTTONHOLE FOOT (B)
4	416128901	BUTTONHOLE FOOT FOR 3223/3229
5	416284501	BUTTON SEWING FOOT (H)
6	416127701	SEAM RIPPER / BRUSH
7	416497401	EDGE / QUILTING GUIDE
8		PACK OF NEEDLES
9	270 TA10943209S	SPOOL HOLDER (LARGE)
10	416497501	SPOOL HOLDER (SMALL)
11	416127601	BOBBIN
12	270 006093009	L-SCREWDRIVER
13	416127901	DARNING PLATE
14	416497601	SOFT COVER

Optional accessories

Pos	Part No.	Description
A	270 R60033210	SECOND SPOOL PIN
B	416128301	SATIN STITCH FOOT
C	270 006803008	OVERCASTTING FOOT (G)
D	270 006800008	HEMMER FOOT
E	270 006810008	CORDING FOOT
F	416128501	BLIND HEM FOOT
G	416127401	DARNING / EMBROIDERY FOOT
H	270 006917008	GATHERING FOOT
I	416129101	QUILTING FOOT
J	270 006185005	WALKING FOOT