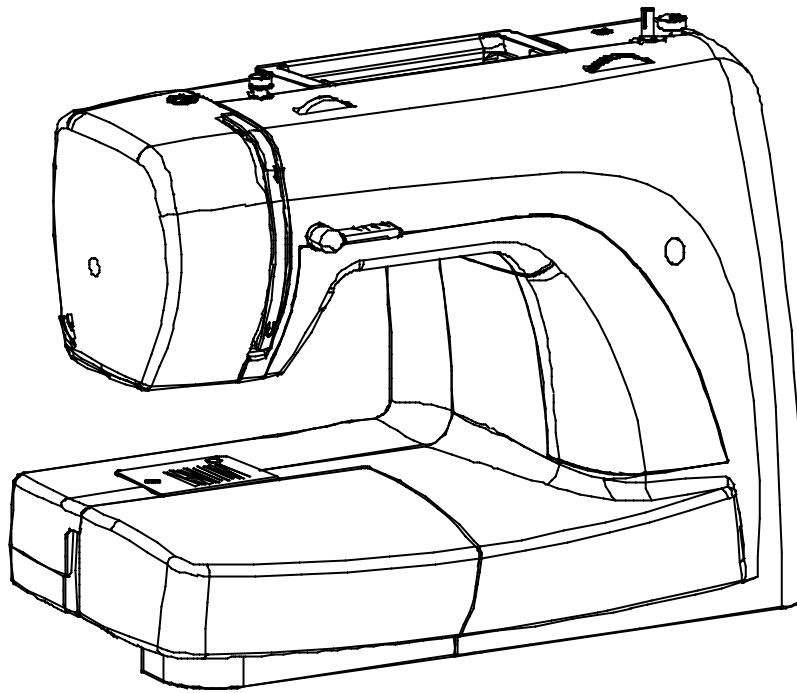




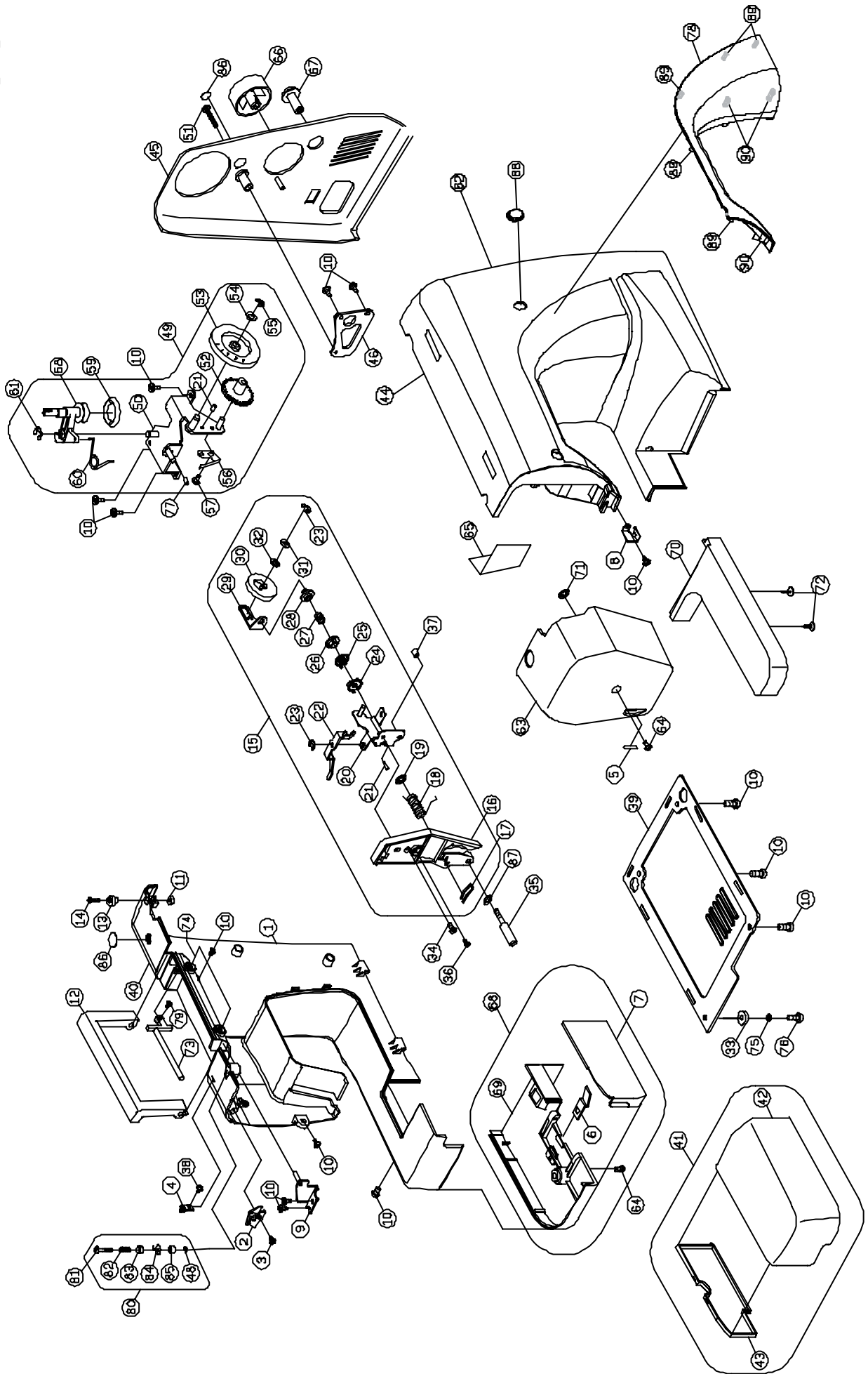
SINGER | Simple™

3116



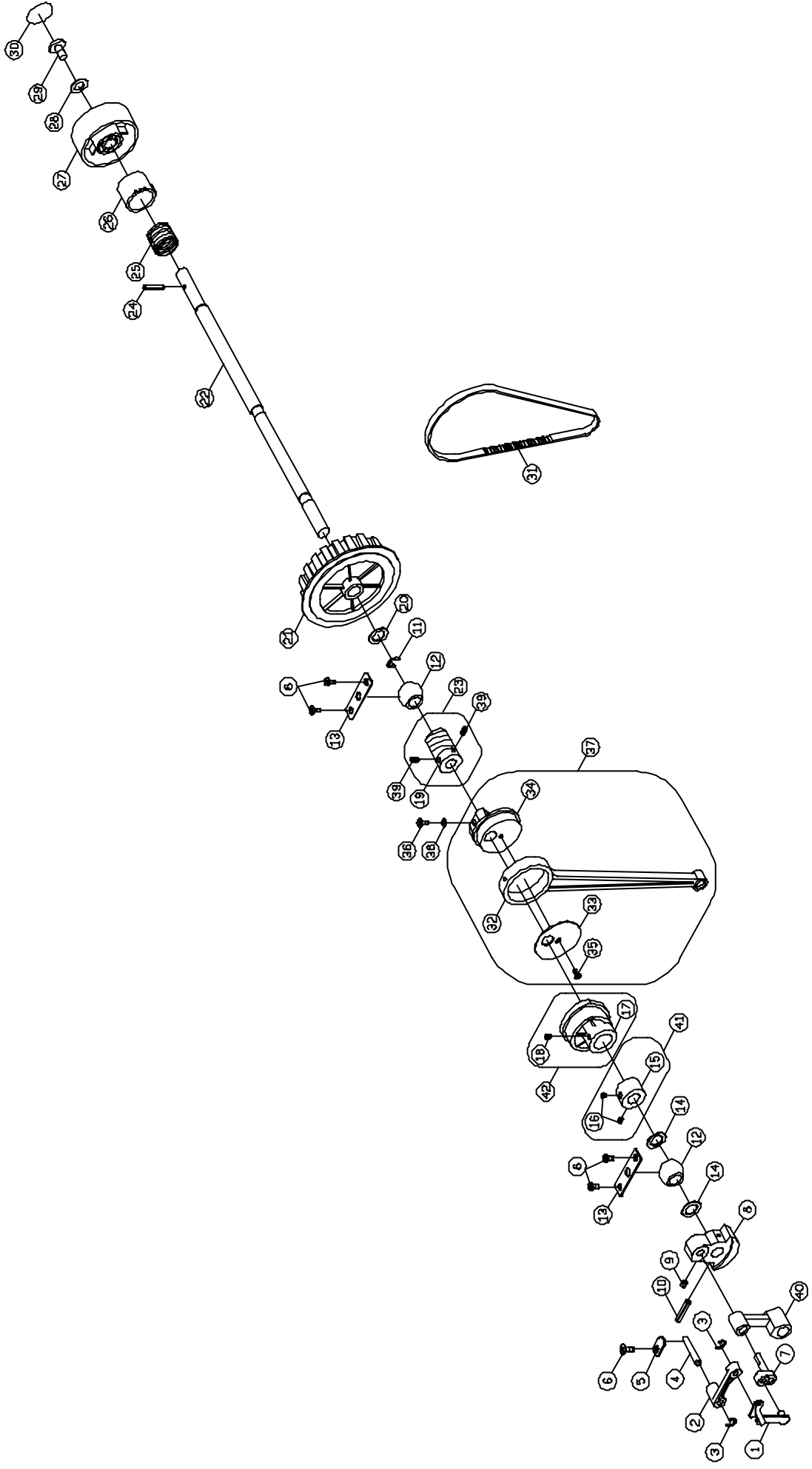
Liste de pièces
Lista de Piezas
Parts List

A



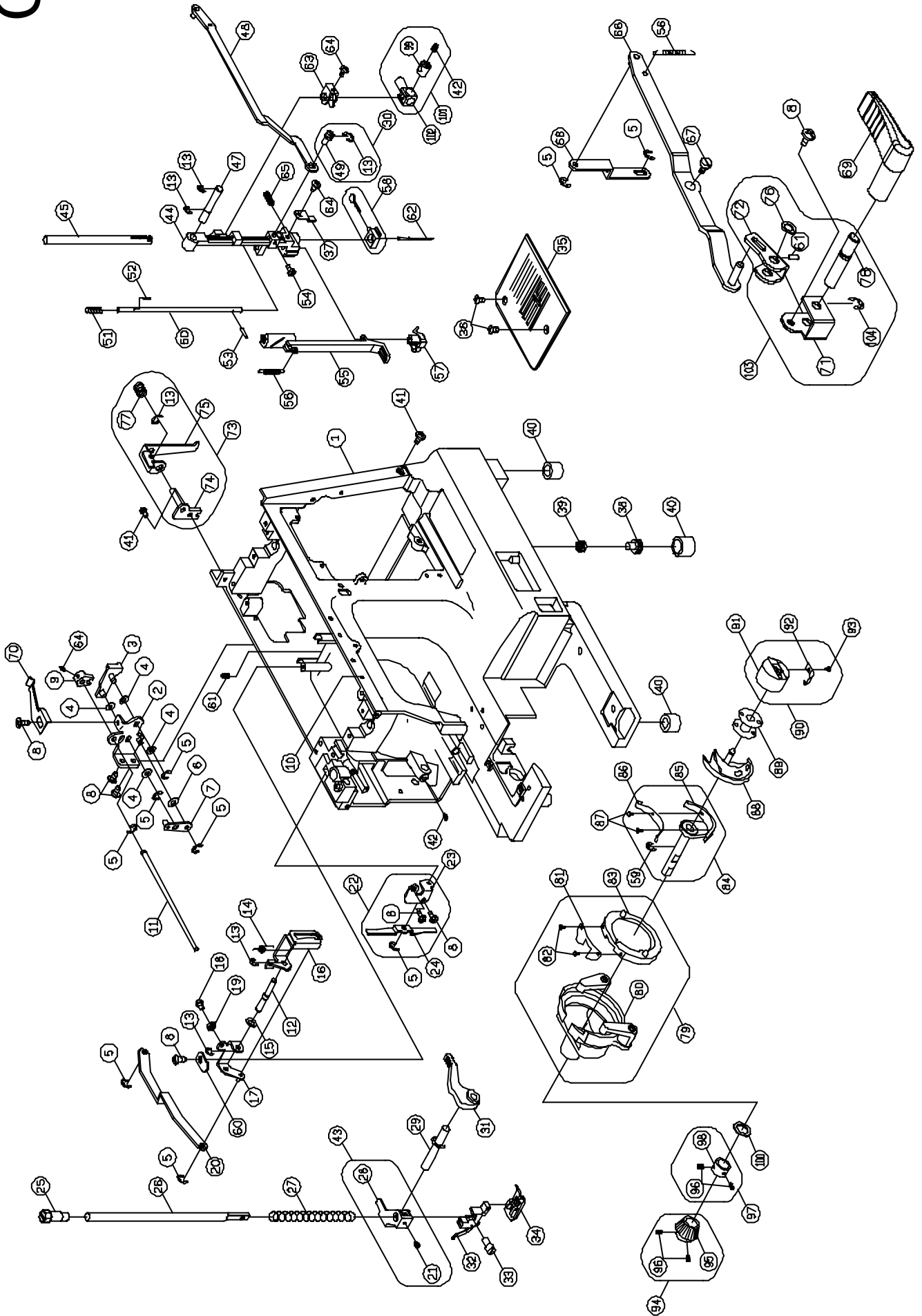
Pos	Part No.	Description	Pos	Part No.	Description
1	G2DB003209	Back cover	64	004241061*	Set screw (M4×12)
2	V610155000	Thread guide complete	65	G2D0173000	Heat resistant plate
3	004230326	Set screw(M4Ⅰ8)	66	E4A0233209	Selector dial
4	E1A2043001	Thread guide	67	G2D0253209	Adjusting dialD
5	V630593000	Thread cutter	68	G2DA014209	Free arm base platE
6	R12453002	Hook cover spring	69	G2DA013209	Free arm base
7	G2D0063209	Hook cover	70	G2D0143209	Free arm foot bush
8	F4A0643001	Arm top cover thread guide plate	71	003020053	CS-ring (CSTW-5)
9	V61253006	Arm top cover plate	72	004230795	Set screw(M3Ⅰ8)
10	004240106*	Set screw (M4×8 A)	73	V610443209	Spool rod
11	004706013*	Nut (9/64×40 t=3)	74	004240306	Set screw (M4×10B)
12	V880083210	Handle	75	004300202	Washer (4.5×10×0.8
13	E1A2393000	Bobbin winder stopper	76	004240046	Set screw (M4×10 B)
14	004106162	Set screw (9/64×40×16)	77	003043008	Pin 3×8×0.6)
15	G2D0084209	Dial tension complete	78	G2D0023844	Plate
16	G2D0083209	Dial tension supporter plate cover	79	004230646	Set screw(M3Ⅰ16.7B)
17	V61873001	Thread guide	80	E1A2065000	Bobbin winder thread guide complete
18	E1A2073000	Thread guide spring	81	E1A2053001	Bobbin winder thread guide adjusting
19	003020453	CS-ring (CSTW-4.5)	82	H13153001	Bobbin winder thread guide spring
20	V60243002	Dial tension supporter plate	83	H13133001	Bobbin winder spring disc
21	003043010	Spring pin (3×10×0.6)	84	V610223001	Bobbin winder thread guide
22	V60263003	Dial tension waft plate	85	E1A2353006	Spacer
23	003010043*	E-Ring (ETW-4)	86	V61503209	Plate (1)
24	J30423001	Dial tension disc (1)	87	004300096	Washer(4×8×0.5)
25	J30433001	Dial tension disc (2)	88	G2D0033002	
26	R10593000	Dial tension spring regulator	89	003020043	CS-ring(CSTW-4)
27	NB1083000	Dial tension spring			
28	K50193000	Dial tension regulator			
29	V60273006	Dial tension spring plate			
30	G4B7783209	Dial tension knob			
31	004300643*	Washer (5.2×10×0.5)			
32	004500360*	Washer (WW-5)			
33	J31413000	Free arm base felt			
34	004240176*	Set screw (M4×6 D)			
35	004240982*	Set screw M4			
36	004240146*	Set screw (M4×15 B)			
37	H11103001	Dial tension guide spring tube			
38	004230215	Set screw (M3×8.5)			
39	G2D0133209	Plate			
40	G2D0223209	Plate			
41	G2D0104209	Sewing table complete			
42	G2D0103209	Sewing table body			
43	2D0113209	Sewing table body cover			
44	G2D0183000	Plate			
45	G2DA003209	Motor drive belt cover			
46	E1A1723003	Motor drive belt cover frame			
47	E3A0153003	Zig zag width crank rod			
48	003010036*	E-Ring (ETW-3)			
49	GCA9294209	Bobbin winder frame complete			
50	G4A0935006	Bobbin winder frame			
51	004241106*	Set screw M4×0.7 L25			
52	V61183000	Feed regulator gear			
53	GCA9293209	Feed regulator dial			
54	004300186*	Washer (6.2×12×0.5)			
55	003010046*	E-Ring (ETW-4)			
56	EAA0203003	Feed regulator set plate			
57	004240676*	Set screw (M4×5 B)			
58	V61165000	Bobbin winder crank complete			
59	F20213000*	Bobbin winder rubber pulley			
60	V61563003	Bobbin winder crank spring			
61	003010053	E-Ring (ETW-5)			
62	G2DC003209	Front cover			
63	G2DF003209	Face plate			

B



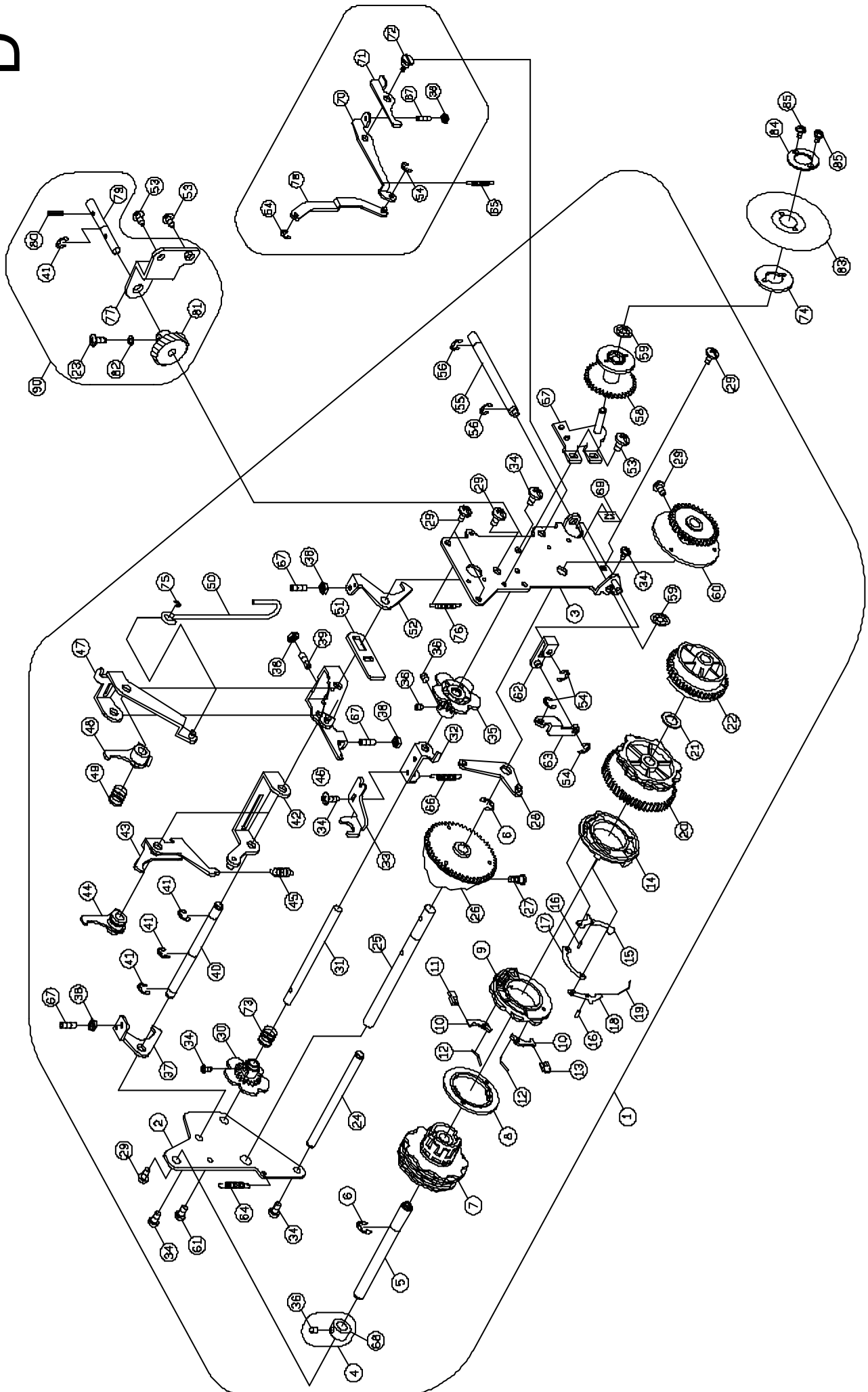
Pos	Part No.	Description
1	E1A2513001	Thread take up lever e
2	V10523000	Thread take up lever supporter
3	003010043	E-Ring ETW-4
4	V60223003	Thread take up lever supporter shaft
5	H13093003	Set washer
6	004240106*	Set screw M4x8 A
7	V10543000	Arm shaft balance pin
8	V61473000	Arm shaft balance
9	004240223*	Set screw M4x6
10	003043524	Arm shaft balance pin 3.5x24
11	003010093*	E-Ring ETW-9
12	R10293000	Arm shaft bushing
13	V60113003	Arm shaft bushing holder plate
14	004400080*	Endure attrition washer
15	R10313000	Arm shaft collar
16	004250203*	Set screw M5x5
17	G4A0533000	Feed cam
18	004240503	Set screw (M4x4)
19	E1A0063000	Arm shaft worm
20	004300853*	Washer 10.2x15x0.5
21	E4A0143210	Arm shaft drive belt pulley
22	G4A0523000	Arm shaft
23	E1A0065000	Arm shaft worm complete
24	003043018	Spring pin 3x18
25	R10393000	Arm shaft clutch annulus spring
26	R10403000	Arm shaft collar
27	E1A0073209	Hand wheel
28	004300586*	Hand wheel washer 16x5.2x1.0
29	004250346*	Set screw M5x10
30	V16883209	Hand wheel decorated plate
31	007163471	Motor drive belt 163XXL6.1
32	G4A0513000	Crank connecting rod
33	V60073003	Crank connecting cover
34	V60053000	Crank connecting rod cam
35	004240056	Set screw (M4x6B)
36	004107063	Set screw (11/64x40 L=12)
37	G4A0514000	Crank connecting rod compet
38	004600026	Spring washer (4.2x7.2x1.2)
39	004107283	Set screw (11/64x40x5)
40	F4A3343000	Needle bar crank rod
41	R10304000	Arm shaft collar complete
42	G4A0535000	Feed cam complete

C

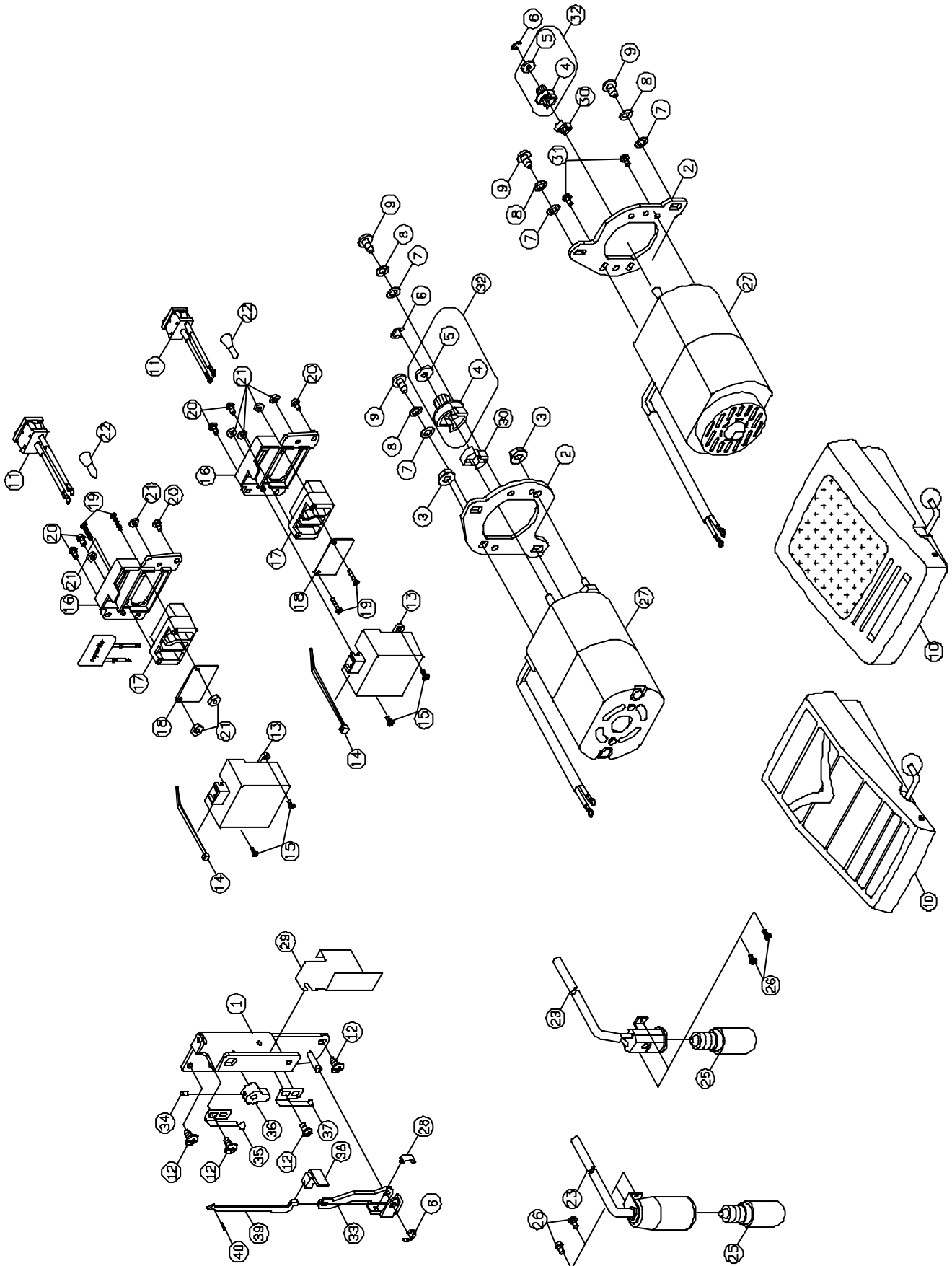


Pos	Part No.	Description	Pos	Part No.	Description
1	G2D0243000	Arm	64	004230016*	Set screw M3x6 A 1
2	G4A0583003	BH selector plate	65	H50583003	Needle bat supporter spring
3	G4A0623003	BH slide plate	66	G2D0203006	Reverse lever
4	04300076*	Washer 4.2x9x0.5	67	004240883	Reverse lever set screw
5	003010036*	E-Ring ETW-3	68	E1A1553003	Reverse rod
6	004300693*	Washer 4.2x12x1.2	69	G2D0123209	Reverse button
7	G4A0603003	BH selector plate	70	G4A0653003	BH cam plate
8	004240106*	Set screw M4x8A	71	V880273006	Reverse knob shaft mounting plate
9	E1A1423000	BH select crank r	72	V880263006	Reverse connecting plate
10	003044016	Auto threaded shaft pin(4x16)	73	V61205003	Clutch rod complete
11	G4A0573003	BH select crank shaft	74	V61213003	Clutch rod plate
12	G4A0793003	Zig zag width regulating cam shaft	75	V61233003	Clutch rod
13	003010053*	E-Ring ETW-5	76	004400260	Washer(6.2x14x0.13)
14	V61033003	Zig zag width spring	77	V61243003	Clutch rod spring
15	004300113*	Washer 6.7x14x0.8	78	V880253006	Reverse knob shaft
16	G4A0763003	Zig zag width regulating cam	79	V10995000	Open shuttle race complete
17	G4A0773003	Zig zag regulator crank	80	V11003002	Open shuttle race
18	004240046	Set screw M4x10 B	81	V11583002	Shuttle hook holder spring
19	004840106	Set Nut ALN-4	82	H71093003	Shuttlehookholderspringscrew
20	G4A0783003	Rod	83	V11573001	Shuttle hook holder
21	004240943*	Set screw M4x8	84	K81125000	Shuttle driver complete
22	G4A0665000	Tension lever lifter plate	85	K81123002	Shuttle driver
23	G4A0673003	Tension frame	86	K81143003	Shuttle driver spring
24	G4A0663003	Tension lever lifter	87	004103043	Shuttle driver spring screw
25	V620163209	Presser bar regulating screw	88	H71173000	Shuttle hook (4.6mm)
26	E1A0143002	Presser bar	89	006066008	Bobbin
27	E1A2493003	Presser bar spring	90	H71185000	Bobbin case complete
28	F4A0063003	Presser bar bracket	91	H71186001	Bobbin case
29	F4A0053003	Presser bar lifter lever shaft	92	H13803001	Bobbin case spring
30	E1A2434000	Needle bar driving rod pin complete	93	H13973002	Bobbin case spring set screw
31	F4A0043000	Presser bar lifter lever 1	94	V620235000	Shuttle driver shaft gear complete
32	006910008	Shank complete	95	V620233000	Shuttle driver shaft gear
33	004106221	Shank complete set screw	96	004107293	Set screw (11/64x40x4)
34	006806008	Zip zap presser foot complete	97	H71155000	Shuttle driver shaft collar complete
35	G4A0543004	Needle plate	98	H71153003	Shuttle driver shaft collar
36	004240851*	Set screw M4x6	99	H10263000	Needle bar bracket (2)
37	G4A0483003	Needle bar stopper plate	100	004400210	Endure attrition washer (8.6x12x0.5)
38	K82133006	Base plate adjustment screw	101	H10195000	Needle bar bracket complete
39	K82073003	Base plate adjustment screw spring	102	H10253000	Needle bar bracket (1)
40	H70043000	Free arm base cushion rubber	103	V880254000	Reverse knob shaft complete
41	004240056	Set screw M4x6 B	104	003011052	E-Ring ETW-5
42	004240503	Set screw (M4x4)			
43	F4A0065000	Presser bar bracket complete			
44	G4A0453000	Needle bar supporter			
45	G4A0463000	Needle bar			
46	003010056*	E-Ring ETW-5			
47	R12723003	Needle bar supporter pin (Auto)			
48	V60175003	Needle bar driving rod complete			
49	E1A2433000	Needle bar driving rod pin			
50	E1A0113000	Auto threaded shaft			
51	R12793003	Auto threaded shaft spring			
52	003042014*	Auto threaded shaft pin			
53	003042006*	Auto threaded shaft pin			
54	004106202*	Set screw 9/64x40x7			
55	E1A0123000	Auto threaded lever			
56	M70093000	Auto threaded lever spring			
57	E1A2125000	Auto threaded			
58	TA11034000	Needle clamp complete			
59	004400800	Endure bar washer (7.6x12x0.13)			
60	H13093003	Set washer			
61	004240223	Set screw (M4x6)			
62	006176008	Needle			
63	M70073002	Auto threaded stopper			

D

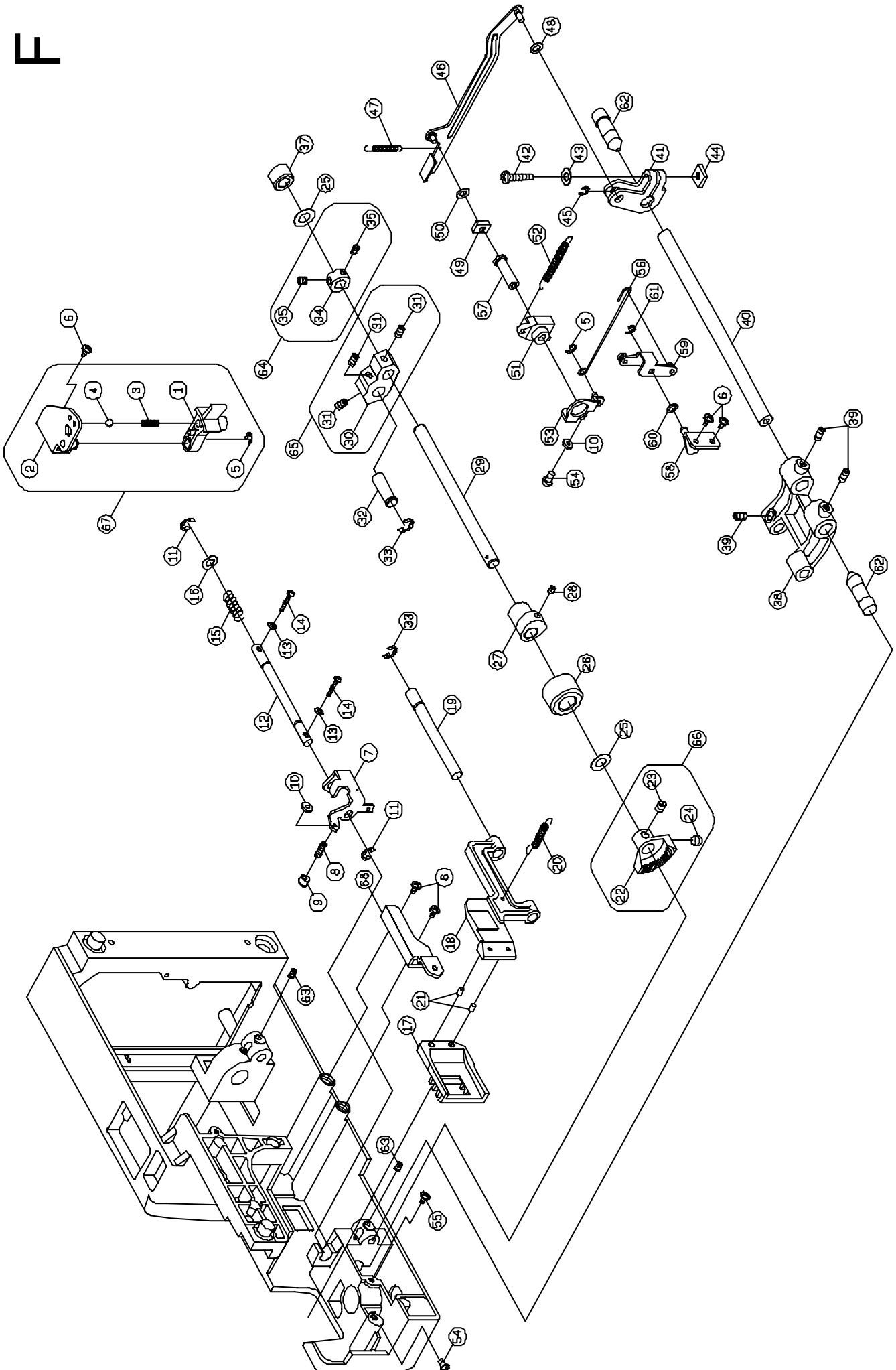


Pos	Part No.	Description	Pos	Part No.	Description
1	G2D0194000	Pattern cam contact completepring	64	J31383003	Spring
2	G4A0733003	Pattern cam contact plate (back)	65	E1A2013003	Zig zag width crank spring
3	E1A0653003	Pattern cam contact plate (front)	66	M70093000	Auto threaded lever spring
4	H11935000	Pattern cam shaft collar complete	67	004241093	Set screw (M4x0.7 L9)
5	F4A3023003	Pattern cam shaft	68	H11943003	Pattern cam shaft collar
6	003010063	E-Ring ETW-6	69	003070043	Prompt Nut (PSN-4)
7	E1A0713000	Pattern cam	70	FCA0033003	Zig zag width crank
8	E1A0833000	Straight stitch cam	71	E1A1153003	Zig zag width selector plate
9	E1A0783000	BH cam	72	004230613	Set screw (M3)
10	E1A0793002	BH contact	73	V10693003	Zig zag width contact s
11	E1A0813000	BH slide block B	74	E4C0053006	Pattern selector plate washer
12	E1A0823003	BH contact spring plate	75	003010046	E-Ring (ETW-4)
13	E1A0803000	BH slide block A	76	H70553003	Spring
14	E1A0723000	BH feed regulator cam	77	F4A3303003	Selector dial plate
15	E1A0743002	BH clutch contact A	78	G2A0053003	Zig zag width crank rod
16	E1A0733000	BH clutch shaft	79	E1A1243006	Selector dial shaft
17	E1A0763002	BH clutch lever	80	003042512	Spring pin (2.5x12)
18	E1A0753002	BH clutch contact B	81	F4A3113000	Selector gear
19	E1A0773003	BH clutch spring plate	82	004300676	Washer (3.2x8x0.8)
20	E1A0703000	SS cam	83	G2DD003209	Pattern selector plate
21	004300863*	Washer 8.2x14x0.5	84	E1A1213006	Pattern selector plate
22	E1A0693000	Feed regulator cam	85	004220106	Set screw (M2x0.2 L10)
23	004230286*	Set screw M3x8 B			
24	F4A3063003	Pattern cam contact supporter shaft			
25	F4A3073003	Pattern selector cam shaft			
26	E2A0023000	Pattern selector cam			
27	004240423	Set screw M4			
28	E1A1033003	Pattern selector adjusting lever			
29	004240106	Set screw M4x8 A			
30	E1A1053000	Zig zag cam			
31	F4A3093000	Pattern selector cam shaft			
32	E1A1073006	Zig zag movement contact			
33	E1A1083003	Movement plate			
34	004230016	Set screw M3x6 A			
35	F4A3103000	Stretch stitch release			
36	004240503	Set screw M4x4			
37	G4A0753003	Zig zag release plate			
38	004840106	Nut ALN-4			
39	004240633	Sew screw (M4x0.7 L12)			
40	F4A3043000	Zig zag cam contact supporter shaft			
41	003010056*	E-Ring ETW-5			
42	G4A0743003	Zig zag cam contact supporter			
43	E4A0033003	BH Feed crank			
44	E1A0873003	Zig zag cam contact			
45	E1A0973003	BH Feed crank spring			
46	EAA0093003	BH adjusting crank			
47	G3A0023003	SS cam contact supporter			
48	E1A0923003	SS cam contact			
49	E1A0903003	SS cam contact spring			
50	G4A1183003	Feed rock shaft			
51	E1A0983003	BH adjusting plate			
52	E1A0993003	Stretch stitch release plate			
53	004240056	Set screw M4x6 B			
54	003010036	E-Ring (ETW-3)			
55	E1A1113000	Adjusting shaft			
56	003010043*	E-Ring ETW-4			
57	G2D0233003	Pattern gear plate			
58	E1A1203000	Pattern gear			
59	003020043*	CS ring			
60	E2A0033000	Zig zag selector caM			
61	004240046	Set screw (M4x10 B)			
62	E1A1123003	BH adjusting hook holder			
63	E1A1133003	BH adjusting rod			



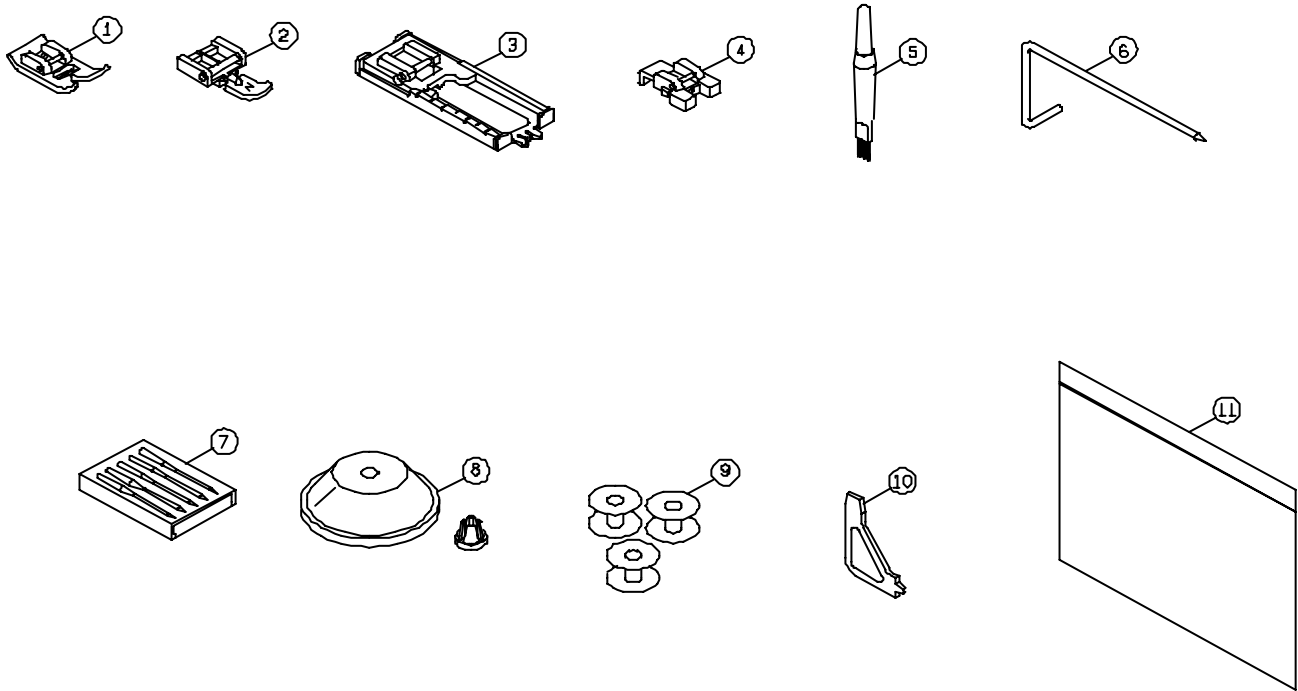
Pos	Part No.	Description
1	G4A0553006	BH lever plate
2	002504025	Motor bracket
3	004840051	Nut
4	002396029*	Belt wheel
5	002145029	Motor feed regulator collar
6	003010036	E-Ring (ETW-3)
7	004300306	Washer (5.4×10×0.9)
8	004600296	Spring washer (5.2×9×1)
9	004250086	Set screw (M5×12)
10	001321109	Foot controller (4C-326G402ZH) E.U.R
10	001251409	Foot controller (4C-316B202ZH) U.S.A
11	002425118	Switch ass'y
12	004240056	Set screw (M4×6 B)
13	E1A1973209	Receptacle holder cover
14	002027129	Cord clip
15	004230286	Set screw (M3×8)
16	002252129	Receptacle holder
17	002253129	Receptacle (3SRF-2)
18	002254129	Consent insulation plate
19	004230045	Set screw (M3×20 B)
20	004240066	Set screw(M4×8B)
21	004830015	Nut (M3 t=2.3)
22	AA0463000	Quick connect
23	002148118	Lamp holder complete (only for 220 -240V)
24	002511418	Lamp holder complete (only for 120V)
25	005120021	Lamp (120V 10W E-12)
25	005240011	Lamp (240V 15W E-14)
26	004230055	Set screw (M3×5 B)
27	001425109	Motor complete (for 230V) 4M-627G101ZH
27	001351109	Motor complete (for 120V) HF-7150
28	E1A1483003	BH lever spring plate
29	E1A2373000	Shield
30	008059302	Cushion rubber
31	004240385	Set screw (M4×10.2)
32	002396028	Belt wheel complete
33	E1A1473003	BH lever crank
34	004230433	Set screw (M3×3)
35	E1A1533003	BH positioned plate
36	E1A1513000	BH movement crank
37	E1A1523003	BH positioned plate
38	E4A6003209	BH lever button
39	G4A0563002	BH lever
40	003041605	Spring pin (ø1.6×5)

F

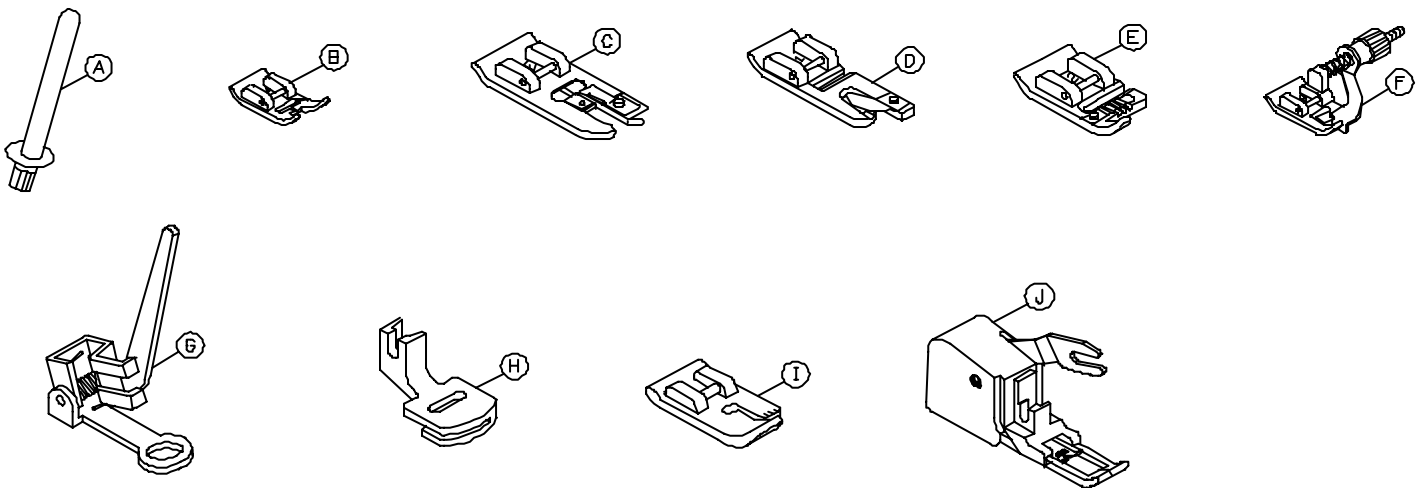


Pos	Part No.	Description	Pos	Part No.	Description
1	G4A0313209	Feed dog lifting rod	64	V11564000	Lower shaft collar complete
2	G4A1003003	Feed lifting shaft crank	65	V60354000	Crank connecting rod crank complete
3	H10483003	Presser bar regulating spring	66	V620075000	Lower shaft gear complete
4	H12883000	Steel ball	67	G4A0314000	Feed dog lifting rod complete
5	003010046*	E-Ring ETW-4	68	G4A0973003	Foot hook holder
6	004240106	Set screw M4x8 A			
7	G4A1263582	Feed rock crank			
8	004250323*	Set screw M4x7			
9	K81243000	Set screw knob			
10	004840106	Adjusting nut ALN-4			
11	003010073	E-Ring (ETW-7)			
12	G4A1023003	Feed rock shaft			
13	004300136	Washer (4.2x8x0.8)			
14	004240146*	Set screw M4x15 B			
15	K81263003	Feed lifting rock shaft spring			
16	004300226	E-Ring (8.2x16x1)			
17	H70523002	Feed dog			
18	G4A1133001	Feed dog frame			
19	H70513003	Feed dog shaft			
20	K81393003	Feed dog frame spring			
21	004104012	Set screw (1/8x44 L=5)			
22	V620073000	Lower shaft gear			
23	004111043	Set screw (1/4x40 L=3.3)			
24	004111033	Set screw (1/4x40 L=4)			
25	004400210	Endure attrition washer			
26	G4A1063000	Lower shaft bushing (1)			
27	G4A1253000	Feed lifting rock cam			
28	004240033	Set screw (M4x5)			
29	G4A1453000	Lower shaft			
30	V60363000	Crank connecting rod crank			
31	004250203	Set screw (M5x5)			
32	V10833003	Crank connecting rod crank pin			
33	003010053	E-Ring (ETW-5)			
34	V11553003	Lower shaft collar			
35	004240503	Set screw (M4x4)			
36	004240066	Set screw (M4x8 B)			
37	G4A1073000	Lower shaft bushing (2)			
38	G4A1113000	Feed rock frame			
39	004240223	Set screw M4x6			
40	G4A1103003	Feed rock shaft			
41	G4A1143005	Feed rock crank			
42	004240146	Set screw (M4x15 B)			
43	004300093	Washer (4x8x0.5)			
44	004840073	Feed rock crank Nut (M4)			
45	003010036	E-Ring (ETW-3)			
46	G4A1243003	Ford rod			
47	V60463003	Fork rod spring			
48	004400450	Endure attrition washer(5.5x12x0.25)			
49	V11533000	Feed regulating block			
50	004400180	Washer (5.7x10.5x0.5)			
51	G4A1163000	Feed regulating			
52	V70063003	Feed regulating spring			
53	G4A1175003	Feed regulating plate complete			
54	004240046	Set screw (M4x10 B)			
55	004250151	Set screw (M5x10 B)			
56	G4A1193003	Feed rock rod (2)			
57	V60443000	Feed regulating shaft			
58	G4A1223003	Feed rod frame complete			
59	G4A1203003	Feed rock rod complete (3)			
60	004300186	Washer (6.2x12x0.5)			
61	003011052	E-Ring (ETW-5)			
62	H70883000	Center bar			
63	004240033	Set screw (M4x5)			

Standard accessories



Optional accessories



Pos	Part No.	Description
1	006806008	Zig zag foot (J)
2	006905008	Zipper foot (I)
3	006171008	Buttonhole foot (D)
4	006914008	Button sew on foot
5	006099008	Brush Seam ripper complete
6	006008001	Quilting bar
7	006175008	Pack of needles
8	R12373209	Spool holder(Large)
8	TA10943209	Spool holder(Small)
9	006066008	Bobbin(3Í)
10	006093009	Screw driver
11	006011009	Accessories bag
A	R60033209	Second spool pin
B	006804008	Satin stitch foot
C	006803008	Over casting foot
D	006800008	Hemmer foot
E	006810008	Cording foot
F	006812008	Blind hem foot
G	006016008	Embroidery
H	006917008	Gathering foot
I	006916008	Quilting foot(P)
J	006815008	Walking foot (optional)