

SINGER
301-1

SINGER** 301-I MACHINE ELECTRICAL EQUIPMENT Showing Points of Wear

1. Test motor by running at varying speeds.
2. Check for smoking (low speed and sparking).
3. Note quick heating and any other unusual condition.

PROCEDURE FOR INSPECTING ELECTRICAL EQUIPMENT:

1. Lead Cord
2. Brush Covers and Brushes
3. Motor Cover
4. Check for oil on armature and field coils
5. Motor Leads and Terminal Connections

IN THE HOME

1. Lead Cord
2. Brush Covers and Brushes
3. Motor Cover
4. Check for oil on armature and field coils
5. Motor Leads and Terminal Connections
6. If MACHINE BINDS, BE SURE MOTOR TURNS FREELY
7. Sewer/Stop switch, body and lamp
8. Controller connections and range of speeds

AT THE REPAIR BENCH

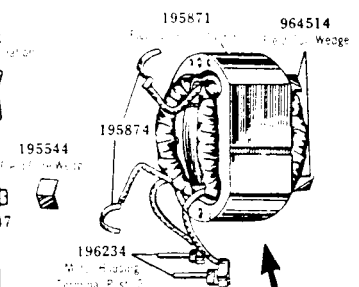
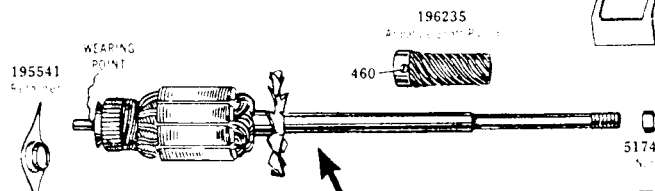
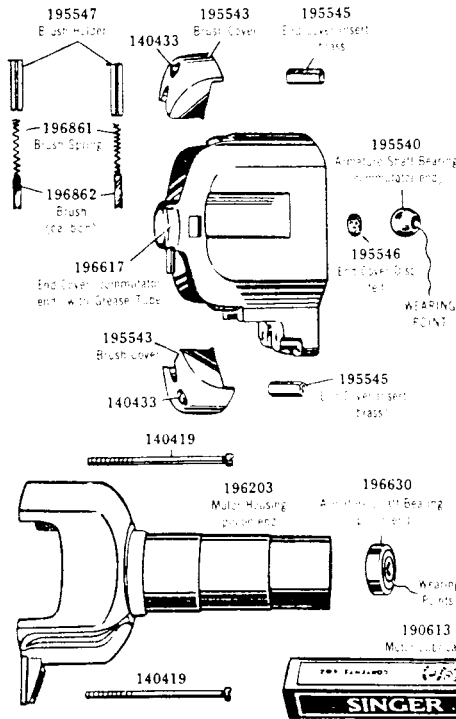
Major Electrical Repairs should be referred to the nearest Repair Station:

1. Brush Covers and Brushes
2. Brush Holders
3. End Cover
4. Armature
5. Armature sleeve bearing and ball bearing—mechanical condition and lubrication
6. Field Coils and Connections
7. Terminal Connections
8. Lead Cord

SINGERLIGHT

1. Lamp Bulb
2. Shade
3. Body (look for cracks and poor contact)
4. Switch
5. Lead

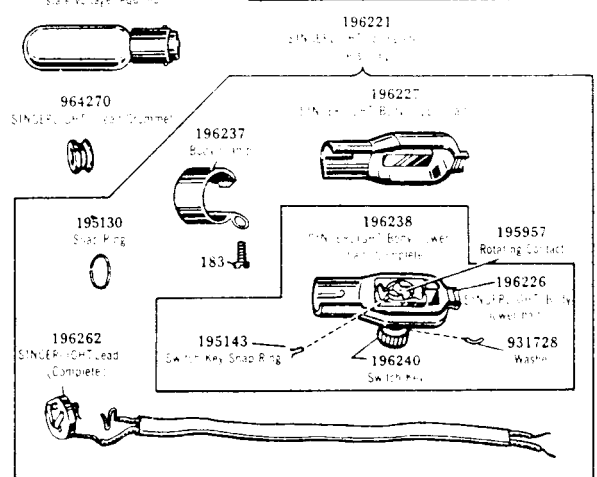
PA2 MOTOR PARTS



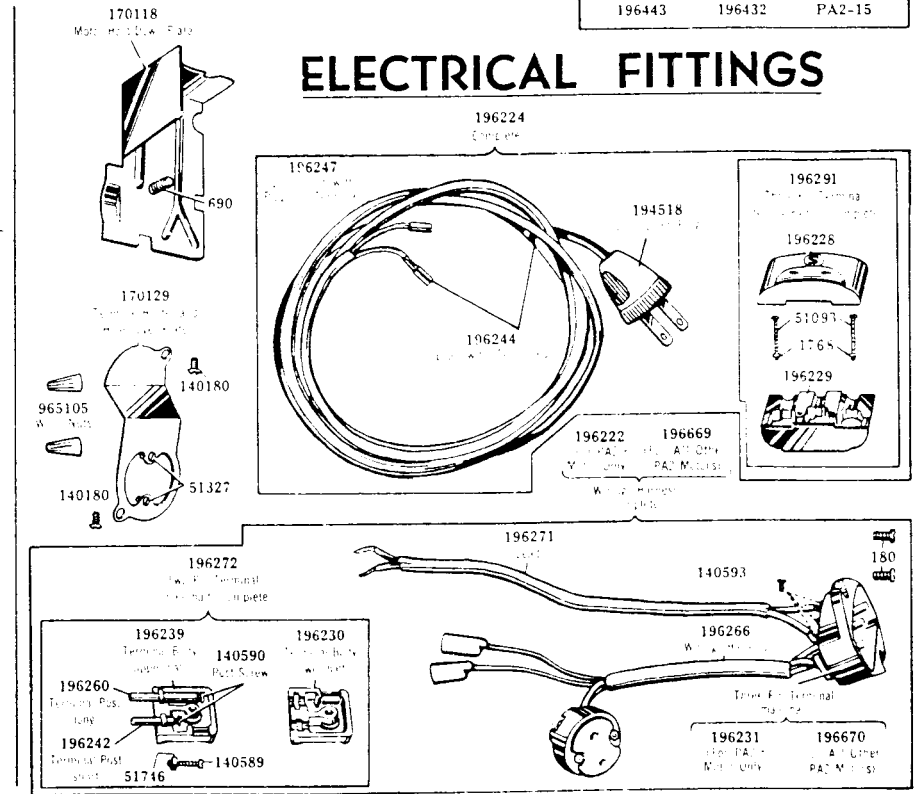
N.	M.	VOLTS	COILS
196411	Armature with pin and pin nuts	PA2-1	12
196412	Armature with pin (complete)	PA2-3	32
196413	Armature with pin (complete)	PA2-5	50
196414	Armature with pin (complete)	PA2-6	95-100
196415	Armature with pin (complete)	PA2-7	100-110
196252	Armature with pin (complete)	PA2-8	110-120
196416	Armature with pin (complete)	PA2-9	150-165
196417	Armature with pin (complete)	PA2-10	190-210
196418	Armature with pin (complete)	PA2-11	210-230
196419	Armature with pin (complete)	PA2-12	230-250
196420	Armature with pin (complete)	PA2-14	120-130
196421	Armature with pin (complete)	PA2-15	130-145

Part No.	Part No.	Part No.
196433	196422	PA2-1
196434	196423	PA2-3
196435	196424	PA2-5
196436	196425	PA2-6
196437	196426	PA2-7
196254	196253	PA2-8
196438	196427	PA2-9
196439	196428	PA2-10
196440	196429	PA2-11
196441	196430	PA2-12
196442	196431	PA2-14
196443	196432	PA2-15

SINGERLIGHT**



ELECTRICAL FITTINGS



FORM 20654

Copyright U. S. A. 1953 by The Singer Manufacturing Company
All Rights Reserved for all Countries
Printed in U. S. A.

301-I MACHINE ELECTRICAL EQUIPMENT

**A Trade Mark of THE SINGER MANUFACTURING COMPANY

SINGER** S4 SINGERLIGHTS**

Showing Points of Wear

INSPECT PARTS

FOR WEAR IN THE
FOLLOWING ORDER:

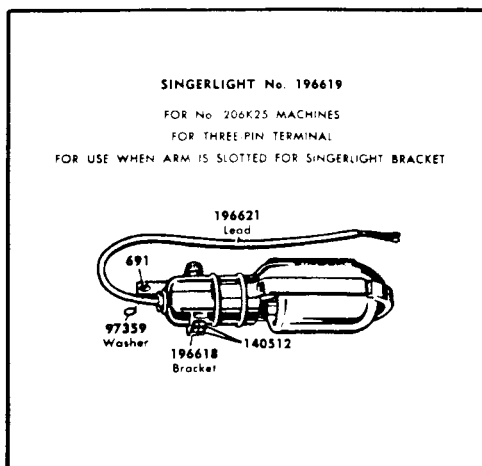
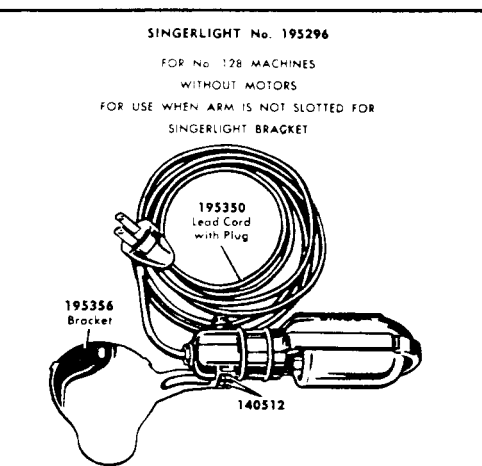
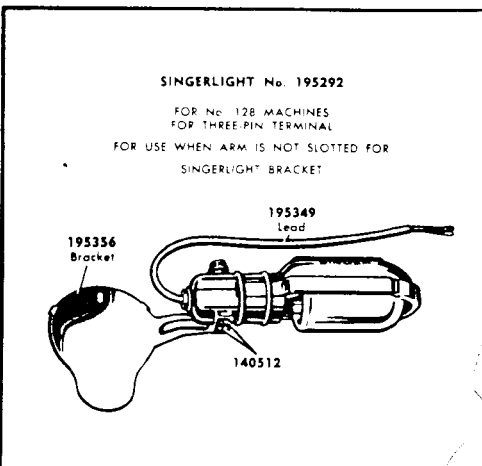
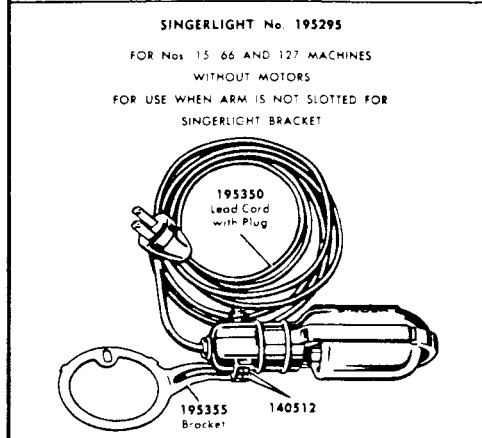
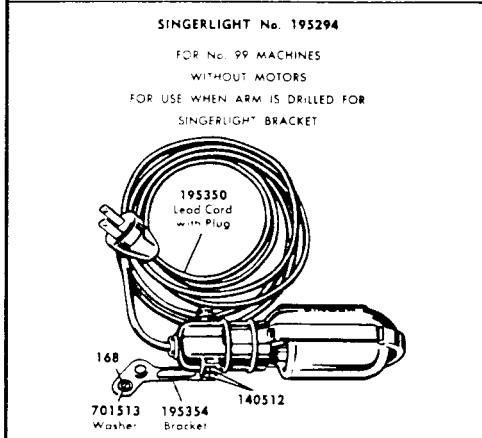
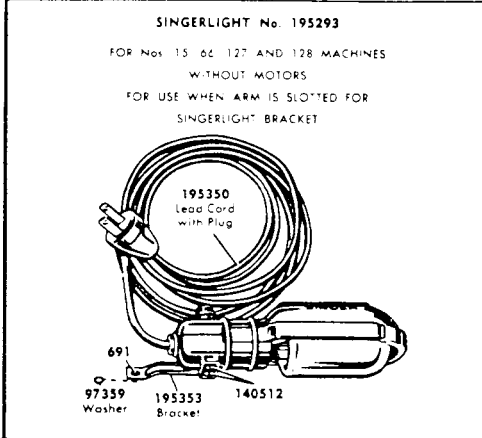
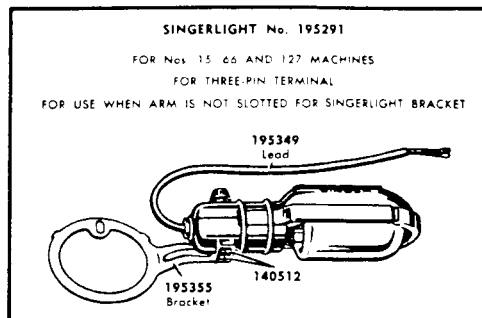
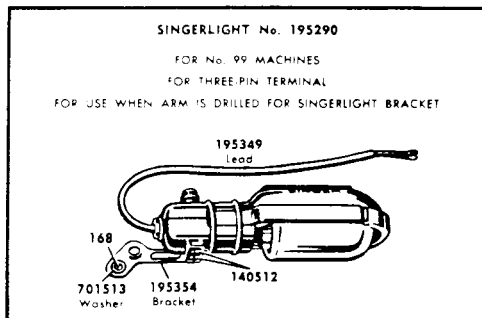
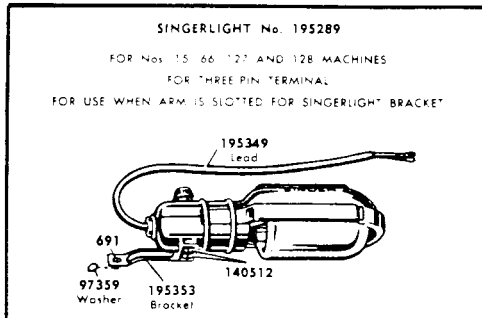
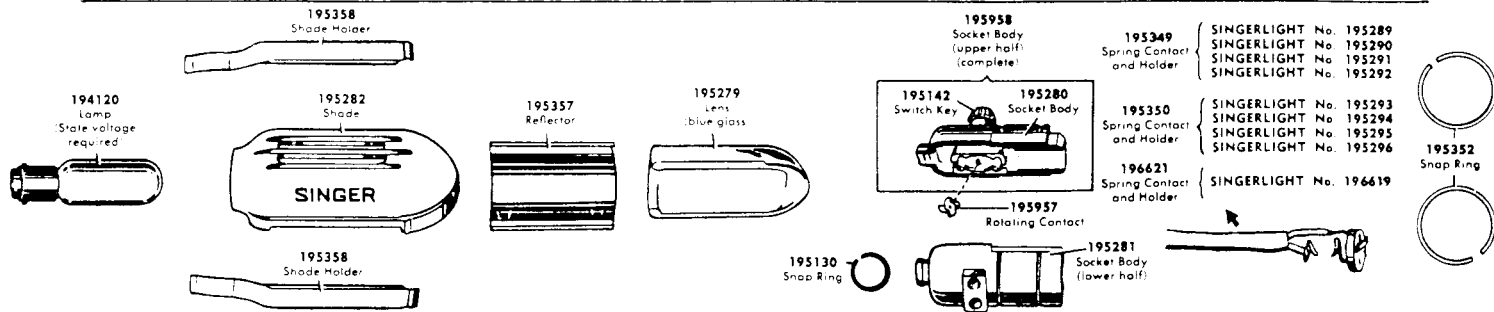
1. Lamp (Bulb)

2. Shade

3. Body (Look for cracks and
poor contact)

4. Switch

5. Lead



FORM 20664

**A Trade Mark of THE SINGER MANUFACTURING COMPANY

Copyright, U. S. A., 1953, by The Singer Manufacturing Company
All Rights Reserved for all Countries
Printed in U. S. A.

S4 SINGERLIGHTS