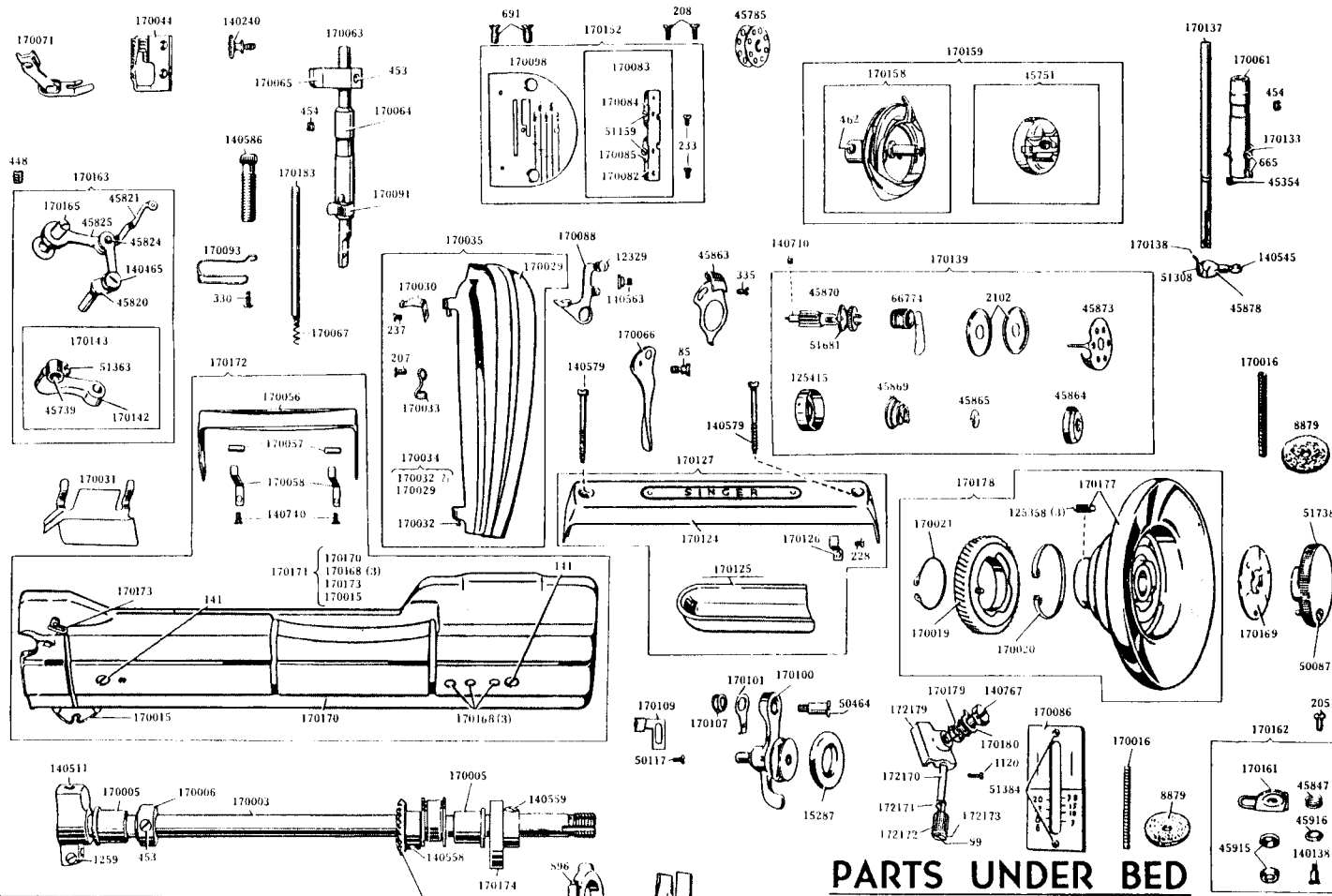


SINGER
301-1

List of Parts—Machine No. 301-1



PARTS UNDER BED

- 170025 Bed Cover Plate (bottom) with Feit
- 51621 Bed Cover Plate (bottom) Nut
- 8879 Bed Cover Plate (bottom) Washer
- 51361 Bed Cover Plate (bottom) Screw
- 140560 Bed Cushion Screw (4)
- 45780 Bed Cushion (rubber) (4)
- 170027 Bed Extension
- 140585 Bed Extension Hinge Screw (back)
- 51108 Bed Extension Hinge Screw (front)
- 170131 Bed Extension Hinge Screw (front) Washer
- 170130 Bed Extension Hinge Screw (front) Friction Washer

170112

MACHINE CRADLE

- 964270 Machine Cradle Grommet (2)
- 51045 Machine Cradle Hinge Connection Set Screw
- 170113 Machine Cradle Latch
- 170114 Machine Cradle Latch Shaft
- 170116 Machine Cradle Latch Spring
- 170117 Machine Cradle complete
- 170112 Machine Cradle and Latch complete

NOTE: Set of Mated Gears or Individual Gears are not furnished. Supplied only when repairs are made at the factory.

NOTE: Set of Mated Gears or Individual Gears are not furnished. Supplied only when repairs are made at factory.

NUMERICAL LIST OF PARTS

MACHINE NO. 301-1

PART NO.	DESCRIPTION	PART NO.	DESCRIPTION	PART NO.	DESCRIPTION
85	Presser Bar Lifter Hinge Screw	45825	Thread Take-up Lever Link	170019	Hand Wheel Gear
141	Arm Top Cover Screw	45847	Bobbin Winder Tension Spring	170020	Hand Wheel Gear Spring
175	Feed Forked Clamping Screw	45863	Slack Thread and Tension Guide	170021	Hand Wheel Snap Ring
205	Bobbin Winder Bracket Screw	◆ 45864	Tension Indicator Flange	170025	Bed Cover Plate (bottom)
207	Face Plate Thread Guard Screw	45865	Tension Indicator Flange Washer	◆ 170027	Bed Extension
208	Feed Dog Screw	45869	Tension Spring	◆ 170029	Face Plate
228	Light Lens Clamp Screw	45870	Tension Stud and Thumb Nut	170030	Face Plate Catch
233	Position Plate Screw	45873	Take-up Spring Thread Guard	170031	Arm Oil Shield
237	Face Plate Catch Screw	45878	Needle Clamp Body	170032	Face Plate Hinge Pin
315	Feed Bar Screw Center	45915	Bobbin Winder Tension Disc	170033	Face Plate Thread Guard
330	Thread Guard Screw	45916	Bobbin Winder Tension Disc Washer	◆ 170034	Face Plate 170029 with two 170032
335	Slack Thread and Tension Thread Screw	50087	Stop Motion Stop Screw	◆ 170035	Face Plate, complete
442	Feed Bar Throw-out Lever Stop Screw	50117	Bobbin Winder Stop Screw	170036	Feed Bar
448	Hook Shaft Bushing Set Screw	50464	Bobbin Winder Frame Hinge Screw	170037	Feed Bar Connecting Link
448	Take-up Lever Set Screw	51045	Machine Cradle Set Screw	170038	Feed Bar Throw-out Lever
453	Arm Shaft Collar Set Screw	51108	Bed Extension Hinge Screw (front)	170040	Feed Bar Spring
453	Presser Bar Guide Bracket Set Screw	51159	Rotating Hook Position Plate Spring Screw	170041	Feed Bar Stop Screw Plate
454	Needle Bar Bushing Set Screw	51308	Needle Clamp Position Screw	170044	Feed Dog
454	Presser Bar Bushing Set Screw	51353	Feed Forked Hinge Screw	170045	Feed Forked Connection
462	Rotating Hook Set Screw	51361	Bed Cover Plate (bottom) Screw	170046	Feed Forked Connection Block
465	Hook Shaft Collar Set Screw	51363	Needle Bar Clamping Screw	170047	Feed Lifting Rock Shaft
665	Needle Bar Thread Guard Screw	51384	Stitch Indicator Plate Screw	170049	Feed Lifting Rock Shaft Center
691	Throat Plate Screw	51621	Bed Cover Plate (bottom) Thumb Nut	170049	Feed Rock Shaft Center
896	Feed Lifting Rock Shaft Cap Screw	51681	Tension Regulating Thumb Nut	170051	Feed Lifting Shaft Connecting Rod
999	Feed Bar Connecting Link Screw	51738	Stop Motion Clamp Nut	170052	Feed Regulator
1085	Feed Forked Connection Screw Stud	51739	Feed Regulating Stud Thumb Nut	170053	Feed Regulator Screw Stud
1094	Feed Bar Lever Plate Screw	66774	Thread Take-up Spring	170054	Feed Rock Shaft
1259	Arm Shaft Bevel Gear (lower) Set Screw	125349	Feed Bar Retaining Ring	170055	Rock Shaft Clearance Hole Cover
1259	Arm Shaft Bevel Gear (upper) Set Screw	125358	Hand Wheel Gear Cushion Pin	◆ 170056	Machine Handle
1259	Hook Shaft Bevel Gear Set Screw	◆ 125415	Tension Indicator	170057	Machine Handle Hinge Pin
1259	Take-up Crank Set Screw	140138	Bobbin Winder Tension Disc Screw	170058	Machine Handle Spring
1519	Feed Bar Screw Center Nut	140240	Presser Foot Thumb Screw	170061	Needle Bar Bushing
1520	Feed Forked Connection Nut	140465	Take-up Lever Cap Screw	170063	Presser Bar
1520	Feed Lifting Rock Shaft Nut	140511	Needle Bar Crank Position Screw	170064	Presser Bar Bushing
1718	Feed Bar Throw-out Screw Nut	140545	Needle Clamp Thumb Screw	170065	Presser Bar Guide Bracket
1735	Feed Bar Throw-out Stop Screw Nut	140558	Arm Shaft Bevel Gear Set Screw	170066	Presser Bar Lifter
2102	Tension Disc	140559	Arm Shaft Counterbalance Screw	170067	Presser Bar Spring
◆ 8879	Arm Spool Pin Washer	140560	Bed Cushion Screw	170071	Presser Foot
8879	Bed Cover Plate Washer	140563	Tension Releasing Lever Screw	170077	Rotating Hook Shaft
12329	Tension Releasing Lever Spring	140576	Feed Lifting Rock Shaft Hinge Screw	170078	Rotating Hook Shaft Bushing (back)
◆ 15287	Bobbin Winder Friction Ring	140579	Light Lamp Shade Screw	170079	Rotating Hook Shaft Bushing (front)
45354	Needle Bar Thread Guard (lower)	140585	Bed Extension Hinge Screw (back)	170081	Rotating Hook Shaft Collar
45707	Arm Shaft Bushing (lower)	140586	Pressure Regulating Thumb Screw	170082	Bobbin Case Position Plate
45723	Feed Bar Hinge Stud	140740	Machine Handle Spring Screw	170083	Bobbin Case Position Plate, complete
45739	Needle Bar Connecting Stud	140767	Feed Regulator Hinge Screw	170084	Bobbin Case Plate Spring (back)
45751	Rotating Hook Bobbin Case, complete	170003	Arm Shaft (horizontal)	170085	Bobbin Case Plate Spring (front)
45780	Bed Cushion	170005	Arm Shaft Bushing	◆ 170086	Stitch Indicator Plate
45785	Bobbin	170006	Arm Shaft Collar	170088	Tension Releasing Lever
45820	Thread Take-up Crank	170008	Arm Shaft (upright)	170091	Thread Cutter and Holder
45821	Thread Take-up Lever	170015	Arm Top Cover Thread Guide (front)	170093	Thread Guard
45824	Thread Take-up Hinge Stud	170016	Bobbin Winder Spool Pin (spring)	170095	Hook Collar and Counterbalance



NUMERICAL LIST OF PARTS

MACHINE NO. 301-1		ATTACHMENT SET		SPECIAL ATTACHMENTS	
PART NO.	DESCRIPTION	PART NO.	DESCRIPTION	PART NO.	DESCRIPTION
170098	Throat Plate			160743	Buttonhole Attachment
♦170100	Bobbin Winder Frame with Pulley and Spindle	♦ 8879	Arm Spool Pin Washer	160823	Darning and Embroidery Attachment
170101	Bobbin Winder Frame Washer		NOTE: When ordering 8879 state color required	160851	Finger Guard
170107	Bobbin Winder Frame Spring	161420	Binder (slotted)	160616	Hemmer (foot) Adjustable
170109	Bobbin Winder Stop	45785	Bobbin (4)	121634	Needle Threader and Seam Ripper
170112	Machine Cradle and Latch, complete	160625	Edge Stitcher	160755	Presser Foot with Extension and Graduated Adjustable Guides
170114	Machine Cradle Latch Shaft	160626	Hemmer (adjustable)	160687	Presser Foot (left toe) for Stitching on Edge and Inserting Cord
170117	Machine Cradle, complete	161195	Hemmer (foot) Flat Bottom 5/64" Hem	160688	Presser Foot (right toe) for Stitching on Edge and Inserting Cord
♦170124	Light Lamp Shade	161169	Presser Foot for Gathering	161127	Presser Foot (adjustable) for Sewing on either Right or Left Side of Needle for Cording and Slide Fasteners *
170125	Light Lens (blue glass)	25537	Screw Driver (Machine)	160690	Presser Foot for Blind Stitch Braiding, Soutache Braid
170126	Light Lens Clamp	120378	Screw Driver (hook tension)	160754	Presser Foot for Braiding, for Art Work, Braid 1/16" to 3/16" NOTE: When ordering 160754 state size or send Sample of Braid
♦170127	Light Lamp Shade, complete	161561	Ruffler	121615	Presser Foot Braid Guide NOTE: When ordering 121615 size of Braid must be stated
170130	Bed Extension Friction Washer	160623	Attachement Set, complete	51282	Presser Foot Braid Guide Screw
170131	Bed Extension Washer			337	Presser Foot Guide Clamp Screw
170132	Arm Shaft Bushing (upper)			160691	Quilter
170133	Needle Bar Thread Guard (upper)			161226	Tucker
170137	Needle Bar			161158	Zigzager Attachment with Yielding Foot (STYLE -O-MATIC)
170138	Needle Bar Gib and Thread Guard				
♦170139	Tension, complete				
170142	Needle Bar Connecting Link				
170143	Connecting Link 170142 with 45739				
170148	Feed Bar Throw-out Lever Disc				
170149	Feed Bar Throw-out Lever Screw				
170151	Feed Bar Throw-out Lever Nut				
170152	Throat Plate, complete				
170158	Rotating Hook, complete				
170159	Hook and Bobbin Case, complete				
170161	Bobbin Winder Tension Bracket				
170162	Bobbin Winder Tension Bracket, complete				
170163	Thread Take-up Lever, complete				
170165	Thread Take-up Lever Hinge Stud				
170168	Oil Metering Insert				
170169	Stop Motion Clamp Washer				
♦170170	Arm Top Cover				
♦170171	Arm Top Cover 170170 with 170015, 170173 and three 170168				
♦170172	Arm Top Cover, complete				
170173	Arm Top Cover Thread Guide (back)				
170174	Arm Shaft (horizontal) Counterbalance				
♦170177	Hand Wheel				
♦170178	Hand Wheel, complete				
170179	Feed Regulator Tension Spring				
170180	Feed Regulator Tension Spring Seat				
170183	Pressure Regulating Extension Pin				
200145	Rotating Hook Loop Guard Screw				
964270	Machine Cradle Grommet				

♦ Specify Color When Ordering.