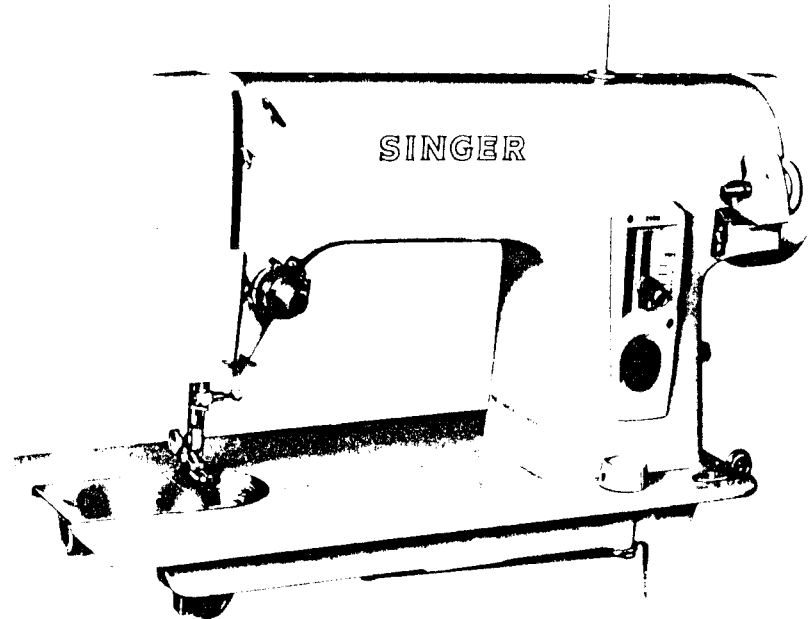


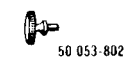
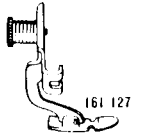
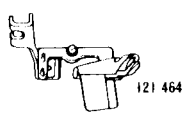
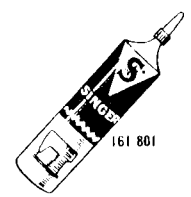
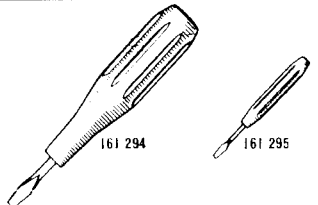
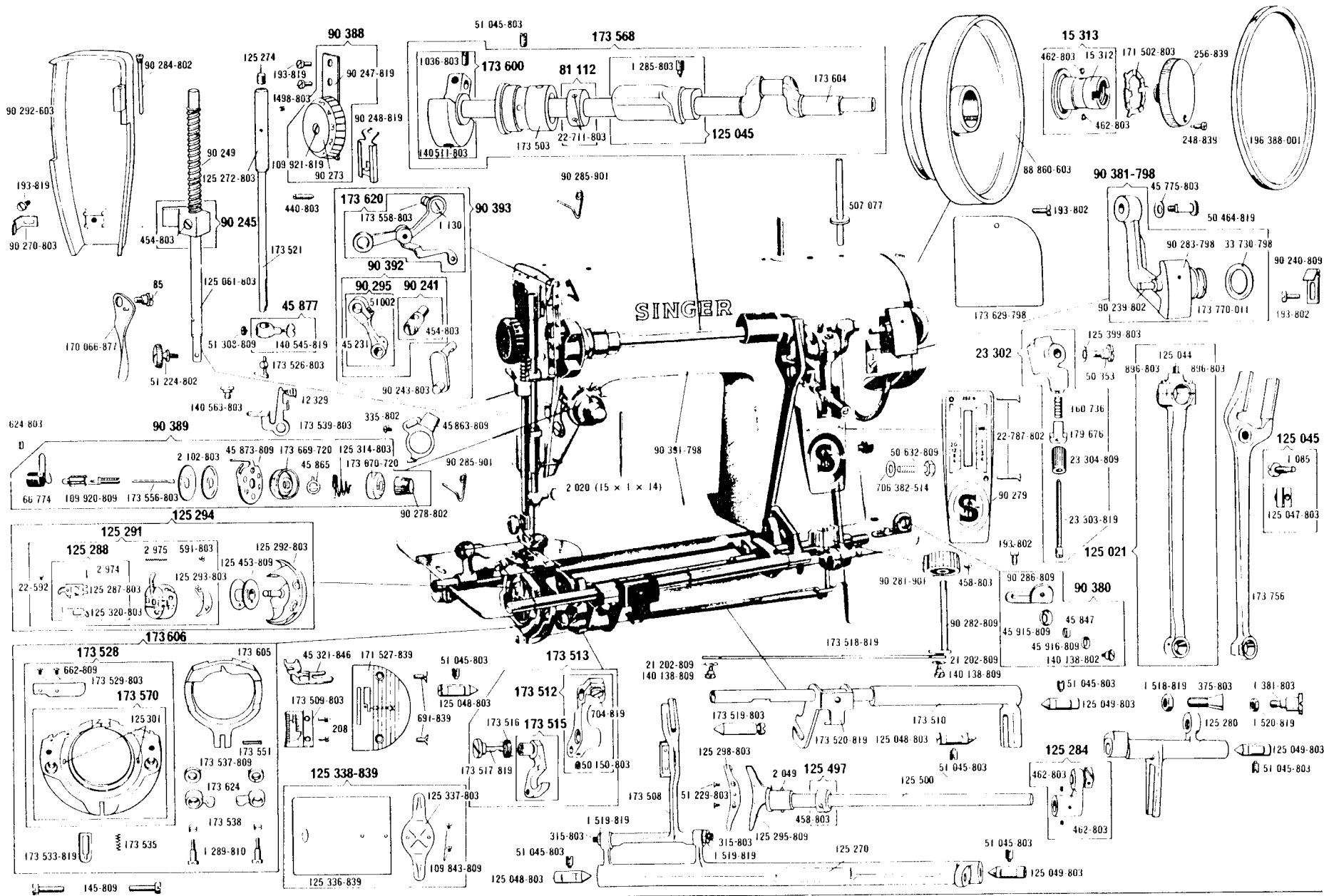
**SINGER**  
**293B**

# LIST OF PARTS - MACHINE 293 B



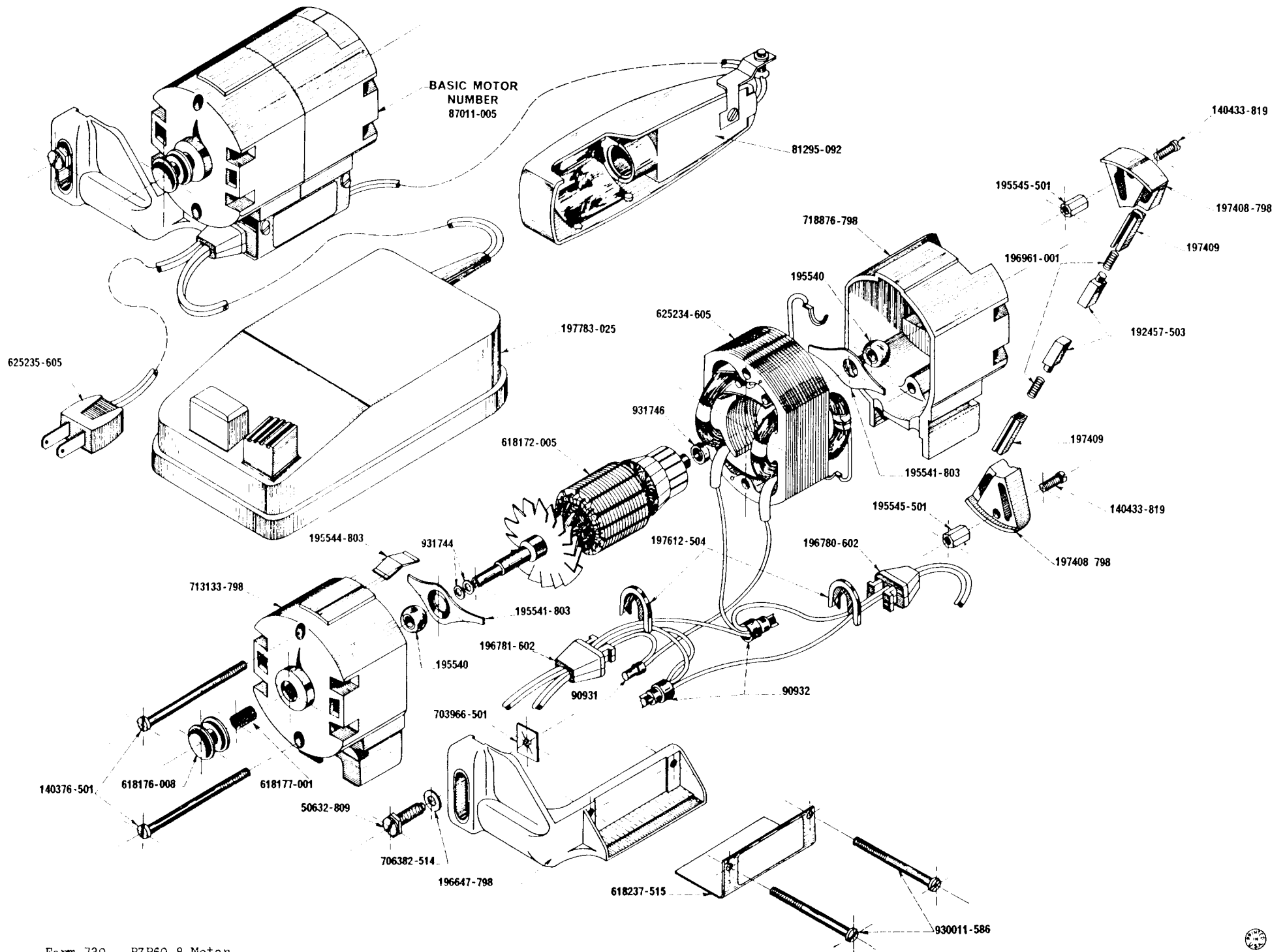
## ATTACHMENT SET 161800

8879	Felt Washer
25527	Cloth Guide
50053	Guide Screw
121464	Binder
125453	Robbin (3)
161127	Zipper Foot
161294	Screwdriver (IG)
161295	Screwdriver (SM)
161801	Tube of Oil
2020(15x1)	Needles 11 (3) 14 (3)
B 173	Instruction Book

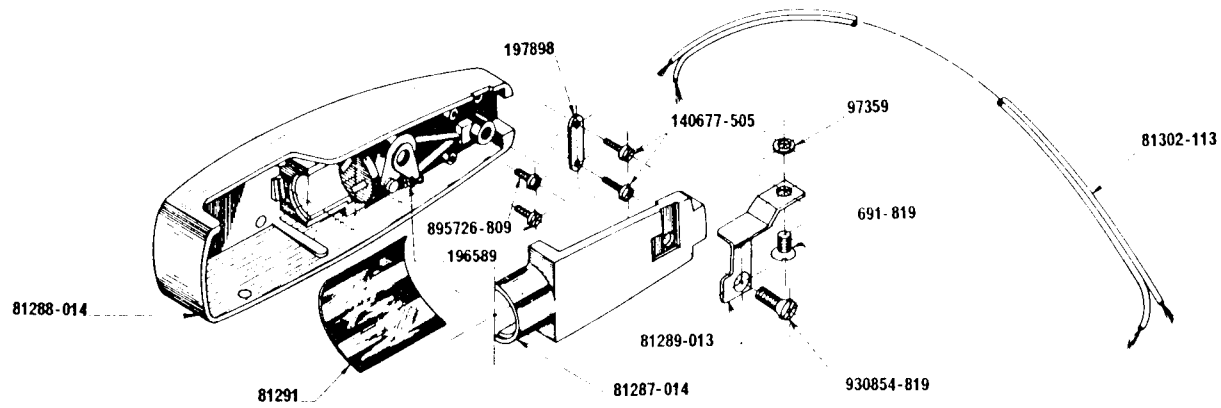


# SINGER BZB 60-8 MOTOR WITH FOOT CONTROLLER AND S7 LIGHT FOR 293 B MACHINE

## BZB 60-8 MOTOR OUTFIT N° 87023-005



# S7 LIGHT COMPLETE N° 81295-092



# FOOT CONTROLLER COMPLETE 197783-025

