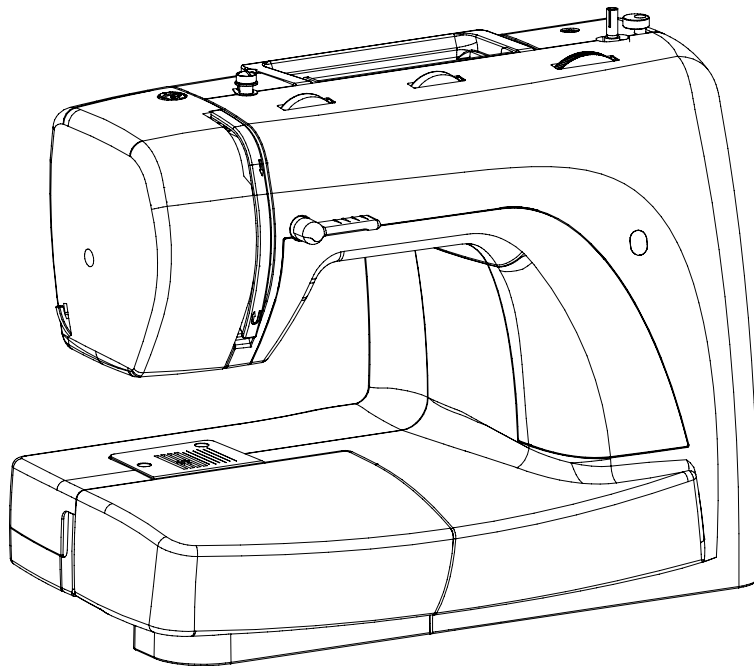




SINGER | Simple™

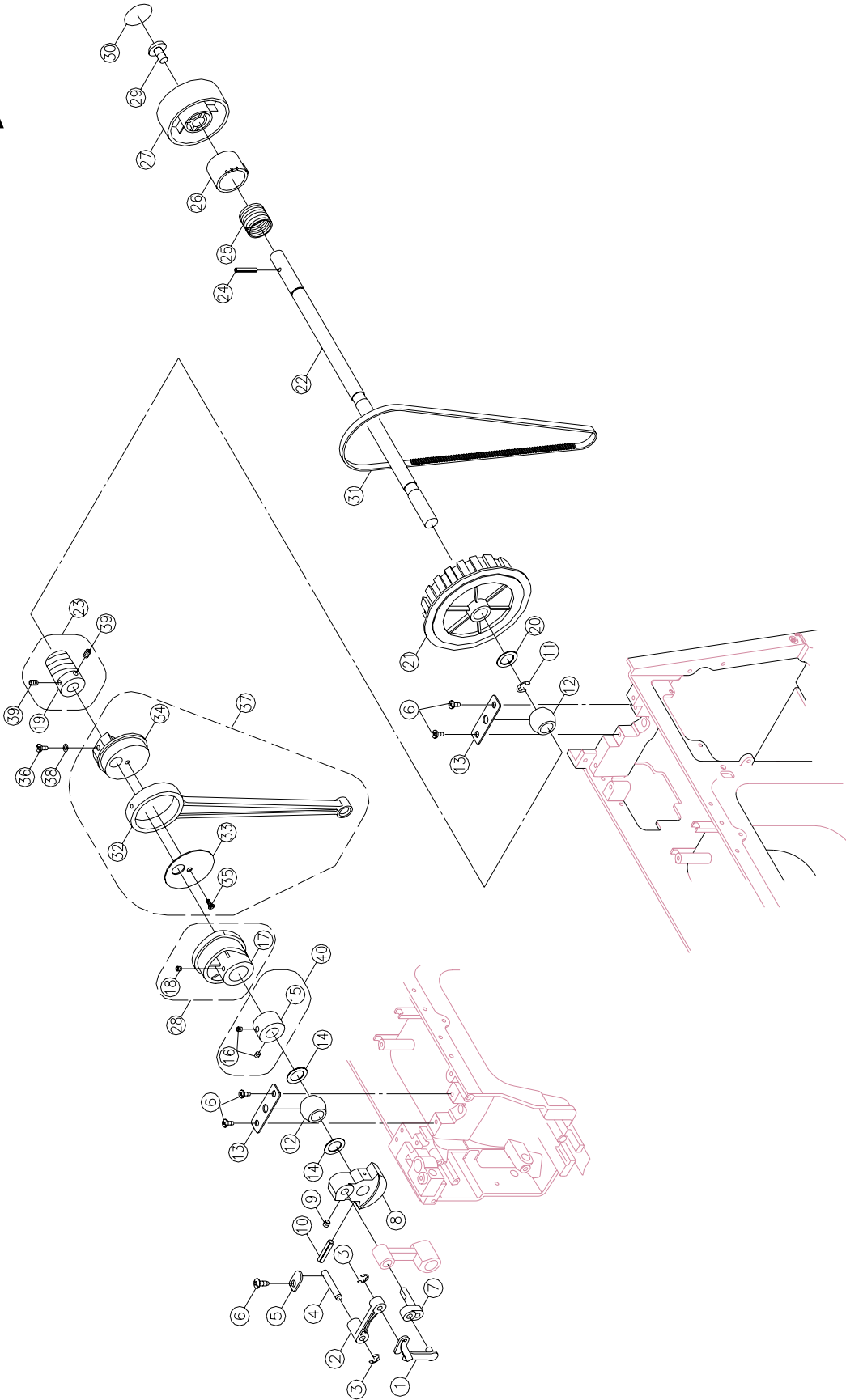
2932



Liste de pièces
Lista de Piezas
Parts List

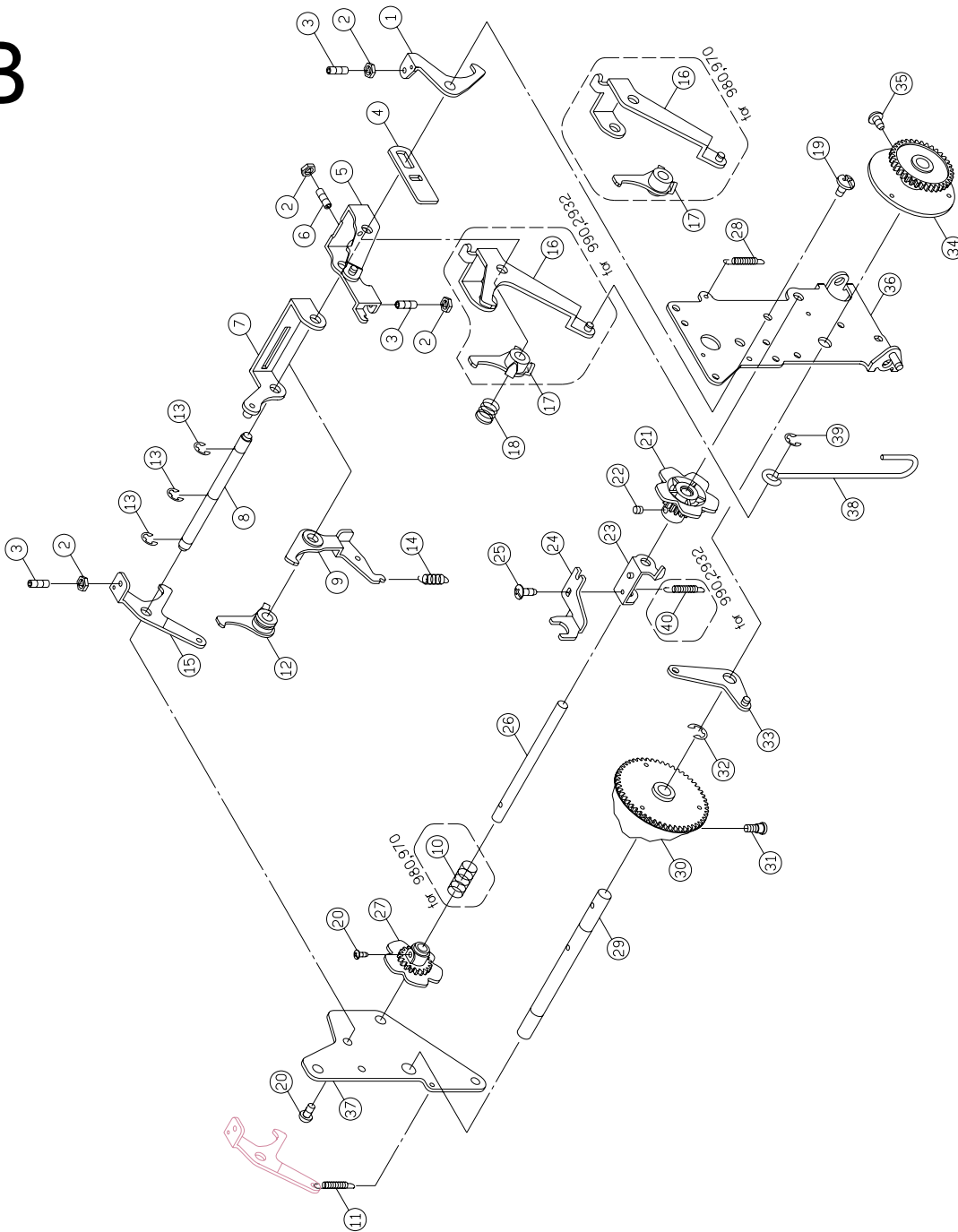
® A registered trademark of The Singer Company Ltd. or its affiliates.
® *Una marca registrada de The Singer Company Ltd. o sus afiliados.*
® *Une marca déposée de The Singer Company Ltd. ou ses filiales.*

A



Pos	Part No.	Description
1	E1A2513001	Thread take up lever
2	V10523000	Thread take up lever supporter
3	003010043	E-Ring ETW-4
4	V60223003	Thread take up lever supporter
5	H13093003	Set washer
6	004240106*	Set screw M4x8 A
7	V10543000	Arm shaft balance pin
8	V61473000	Arm shaft balance
9	004240223*	Set screw M4x6
10	003043524	Arm shaft balance pin 3.5x24
11	003010093 *	E-Ring ETW-9
12	R10293000	Arm shaft bushing
13	V60113003	Arm shaft bushing holder plate
14	004400080*	Endure attrition washer
15	R10313000	Arm shaft collar
16	004250203*	Set screw M5x5
17	G4A0533000	Feed cam
18	004240503	Set screw (M4x4)
19	E1A0063000	Arm shaft worm
20	004300853*	Washer 10.2x15x0.5
21	E4A0143210	Arm shaft drive belt pulley
22	G4A0523000	Arm shaft
23	E1A0065000	Arm shaft worm complete
24	003043018	Spring pin 3x18
25	R10393000	Arm shaft clutch annulus spring
26	R10403000	Arm shaft collar
27	E1A0073209	Hand wheel
28	G4A0535000	Feed cam complete
29	0042500016*	Set screw M5x10
30	V16883209	Hand wheel decorated plate
31	007163XXL5	Motor drive belt(163XXL)
32	G4A0513000	Crank connecting rod
33	V60073003	Crank connecting cover
34	V60053000	Crank connecting rod cam
35	004240056	Set screw (M4x6B)
36	004107063	Set screw (11/64x40 L=12)
37	G4A0514000	Crank connecting rod complete
38	004600026	Spring washer
39	004107283	Set screw
40	R10304000	Arm shaft collar complete

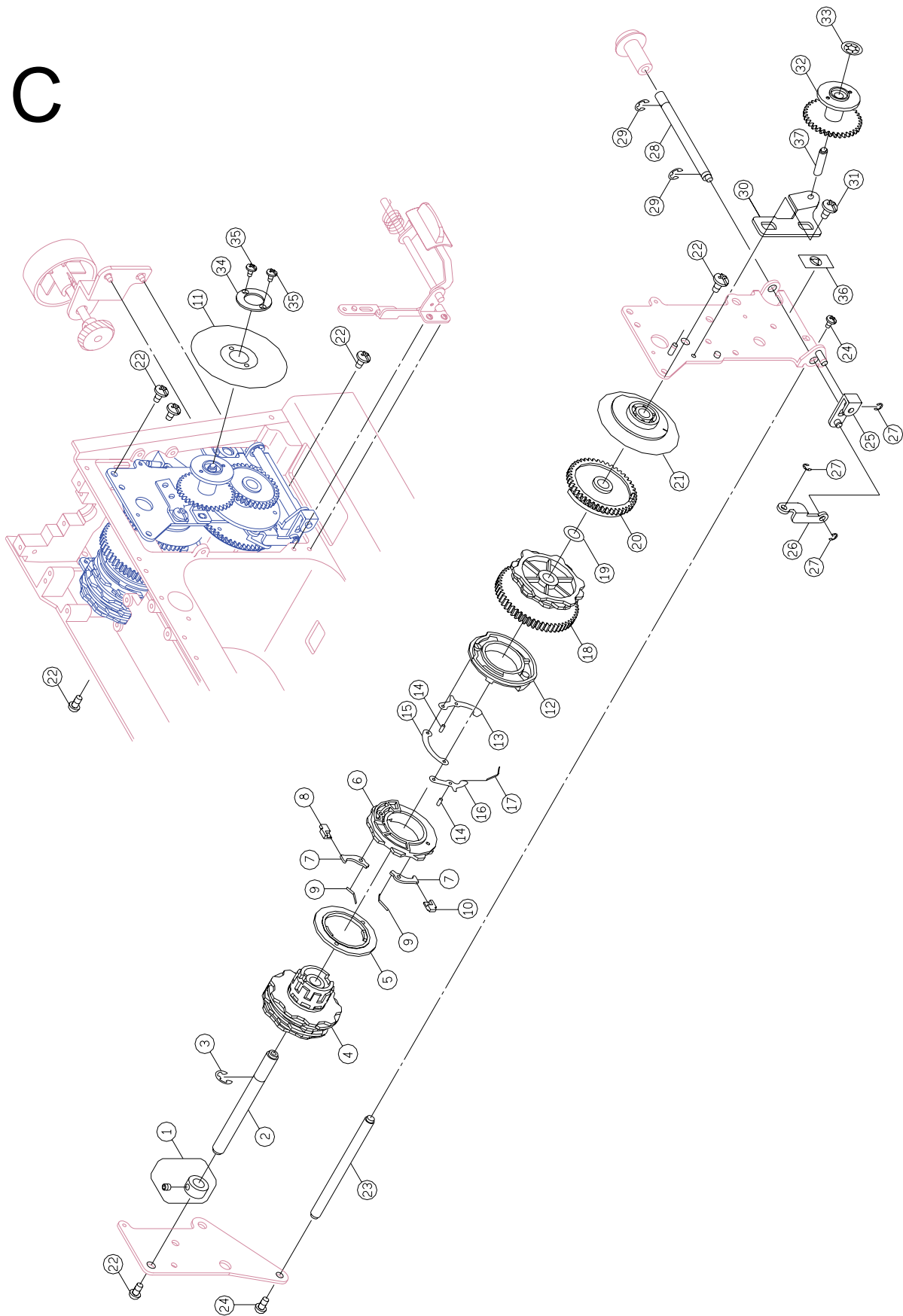
B



Take care the circled parts for the model you want.

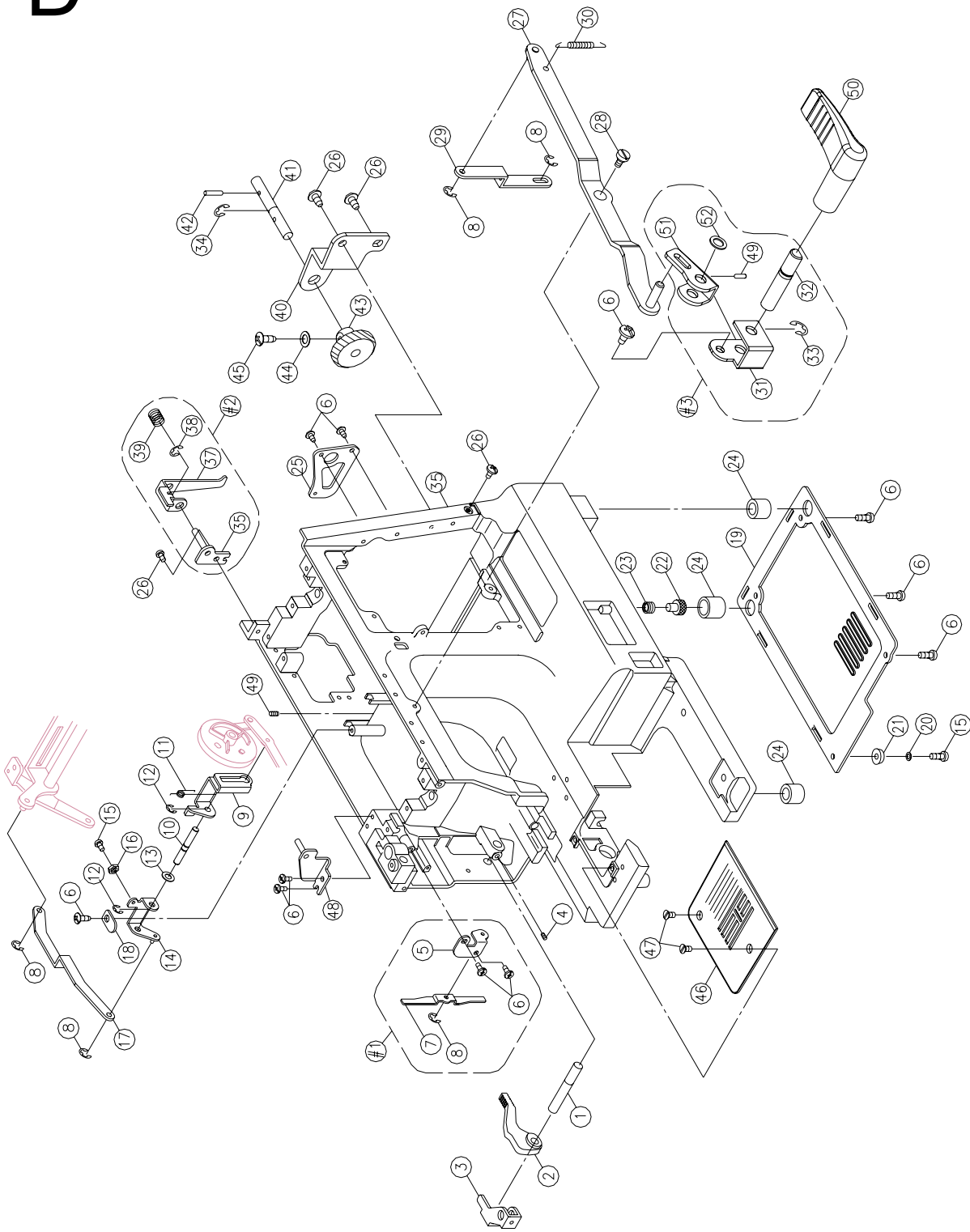
Pos	Part No.	Description
1	E1A0993003	Stretch stitch release plate
2	004840106	Set screw (ALN-4)
3	004241093	Set screw (M4x0.7 L 9)
4	E1A0983003	BH adjusting plate
5	EAA0093003	BH adjusting crank
6	004240633	Set screw (M4x0.7 L 12)
7	G4A0743003	Zig zag cam contact supporter
8	F4A3043000	Zig zag cam contact supporter shaft
9	E4A0033003	BH Feed crank
11	J31383003	Spring
12	EAA0063003	Zig zag cam contact (for 990,2932)
13	003010056	E-Ring (ETW-5)
14	E1A0973003	BH Feed crank spring
15	G4A0753003	Zig zag release plate
16	G4A0983003	SS cam contact supporter (for 990,2932)
17	EAA0083003	SS cam contact (for 990,2932)
18	E1A0903003	SS cam contact spring
19	004240106	Set screw (M4x8 A)
20	004230286	Set screw (M3x8 B)
21	F4A3103000	Stretch stitch release (for 2932,970)
22	004240503	Set screw (M4x4)
23	E1A1073006	Zig zag movement contact
24	E1A1083003	Movement plate
25	004230016	Set screw (M3x6 A)
26	F4A3093000	Pattern selector cam shaft
27	E1A1053000	Zig zag cam (for 990,2932,970)
28	H70553003	Spring
29	F4A3073003	Pattern selector cam shaft (for 2932,970,990)
30	F4A3083000	Pattern selector cam (for 2932)
31	004240423	Set screw (M4)
32	003010063	E-Ring (ETW-6)
33	E1A1033003	Pattern selector adjusting lever
34	E1A1173000	Zig zag selector cam for 2932,980,990)
35	004240046	Set screw (M4x10B)
36	E1A0653003	Pattern cam contact plate (front)
37	G4A0733003	Pattern cam contact plate (back)
38	G4A1183003	Feed rock shaft
39	003010046	E-Ring (ETW-4)
40	M70093000	Auto threaded lever spring (for 2932,990)

C



Pos	Part No.	Description
1	H11935000	Pattern cam shaft collar complete
2	F4A3023003	Pattern cam shaft
3	003010063	E-Ring (ETW-6)
4	F4A3033000	Pattern cam (for 2932)
5	E1A0833000	Straight stitch cam
6	E1A0783000	BH cam
7	E1A0793002	BH contact
8	E1A0813000	BH slide block B
9	E1A0823003	BH contact spring plate
10	E1A0803000	BH slide block A
11	G2DD003209	Pattern selector plate
12	E1A0723000	BH feed regulator cam
13	E1A0743002	BH clutch contact A
14	E1A0733000	BH clutch shaft
15	E1A0763002	BH clutch lever
16	E1A0753002	BH clutch contact B
17	E1A0773003	BH clutch spring plate
18	E1A0703000	SS cam (for 2932,980)
19	004300863	Washer (8.2x14x0.5)
20	EAA0033000	Feed regulator cam (for 990,2932)
21	EAA0023000	Stretch stitch selector cam (for 990,2932)
22	004240106	Set screw (M4x8 A)
23	F4A3063003	Pattern cam contact supporter shaft
24	004230286	Set screw (M3x8 B)
25	E1A1123003	BH adjusting hook holder
26	E1A1133003	BH adjusting rod
27	003010036	E-Ring (ETW-3)
28	E4G0523000	Adjusting shaft
29	003010043	E-Ring (ETW-4)
30	G2D0233003	Pattern gear plate complete
31	004240056	Set screw (M4x6 B)
32	G2D0273000	Pattern gear
33	003020043	CS ring
34	E1A1213006	Pattern selector plate
35	004220076	Set screw (M2x0.4 L 5)
36	00 3070 0013	Set Nut
37	G2D0283003	Pattern gear shaft

D

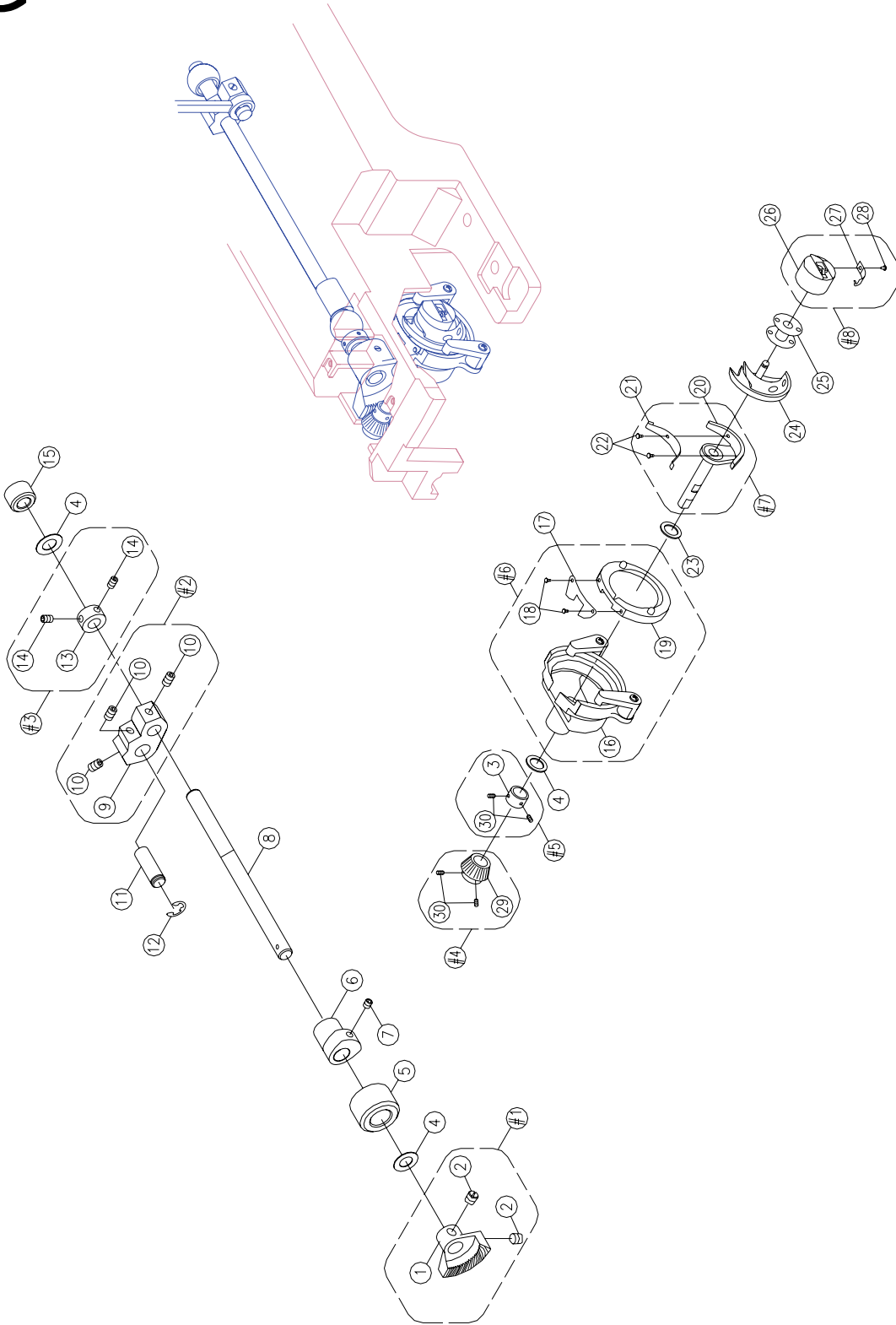


Pos	Part No.	Description
1	F4A0053003	Presser bar lifter lever shaft
2	F4A0043000	Presser bar lifter lever
3	F4A0063003	Presser bar bracket
4	004240943	Set screw (M4x8)
5	G4A0673003	Tension frame
6	004240106*	Set screw M4x8 A
7	G4A0663003	Tension lever lifter
8	003010036*	E-Ring ETW-3
9	G4A0763003	Zig zag width regulating cam
10	G4A0793003	Zig zag width regulating cam shaft
11	V61033003	Zig zag width spring
12	003010053*	E-Ring ETW-5
13	004300113*	Washer 6.7x14x0.8
14	G4A0773003	Zig zag regulator crank
15	004240046	Set screw M4x10 B
16	004840106	Set Nut ALN-4
17	G4A0783003	Rod
18	H13093003	Set washer
19	G4A0213209	Plate
20	004300202	Washer (4.5x10x0.8)
21	J31413000	Free arm base cushion rubber
22	K82133006	Base plate adjustment screw
23	K82073003	Base plate adjustment screw spring
24	H70043000	Free arm base cushion rubber
25	E1A1723003	Motor drive belt cover frame
26	004240056	Set screw M4x6 B
27	G2D0203006	Reverse lever
28	004240883	Reverse lever set screw
29	E1A1553003	Reverse rod
30	M70093000	Auto threaded lever spring
31	V880273006	Reverse knob shaft mounting plate
32	V880253006	Reverse knob shaft
33	003011052	E-Ring ETW-5
34	003010056*	E-Ring ETW-5
35	N/S	
36	V61213003	Clutch rod plate
37	V61233003	Clutch rod
38	003010053	E-Ring ETW-5
39	V61243003	Clutch rod spring
40	F4A3303003	Selector dial plate
41	E1A1243006	Selector dial shaft
42	003042512	Spring pin (ø2.5x6)
43	F4A3113000	Selector gear
44	004300676*	Washer 3.2*8*0.8
45	004230286*	Set screw M3x8 B
46	G4A0543004	Needle plate
47	004240851*	Set screw M4x6
48	G4A1513006	Arm top cover plate complete
49	004240223	Set screw (M4x6)
50	G2D0123209	Reverse button
51	V880263006	Reverse connecting plate
52	004400260	Washer(6.2x14x0.13)
#1	G4A0665000	Tension lever lifter plate
#2	V61205003	Clutch rod complete
#3	V880254000	Reverse knob shaft complete

Pos	Part No.	Description
1	G4A0653003	BH cam plate
2	G4A0583003	BH selector plate
3	G4A0623003	BH slide plate
4	004300076*	Washer 4.2x9x0.5
5	003010036 *	E-Ring ETW-3
6	004300693 *	Washer 4.2x12x1.2
7	G4A0603003	BH selector plate
8	004240106 *	Set screw M4x8 A
9	E1A1423000	BH select crank
10	004230016 *	Set screw M3x6 A
11	G4A0573003	BH select crank shaft
12	E1A0143002	Presser bar
13	E1A2493003	Presser bar spring
14	004240943 *	Set screw M4x8
15	006910008	Shank complete
16	004106221	Shank complete set screw
17	006806008	Zip zap presser foot complete
18	V620163209	Presser bar regulating screw (For exposure)
19	G4A0453000	Needle bar supporter (for auto threaded)
20	G4A0463000	Needle bar
21	R12723003	Needle bar supporter pin (Auto)
22	003010056*	E-Ring ETW-5
23	004106202*	Set screw 9/64x40x7
24	H50583003	Needle bat supporter spring
25	G4A0483003	Needle bar stopper plate
26	004230016 *	Set screw M3x6 A
27	TA11034000	Needle clamp complete
28	006176008	Needle
29	H10263000	Needle bar bracket (2)
30	004240503	Set screw (M4x4)
31	H10253000	Needle bar bracket (1)
32	V60 175003	Needle bar driving rod complete (for 2932)
33	E3A0153003	Zig zag width crank rod
34	E1A0113000	Auto threaded shaft
35	R12793003	Auto threaded shaft spring
36	003042014*	Auto threaded shaft pin
37	003042006*	Auto threaded shaft pin
38	E1A0123000	Auto threaded lever
39	M70093000	Auto threaded lever spring
40	E1A0114000	Auto threaded
41	G4A0553006	BH lever plate
42	E1A2373000	Shield
43	004240056	Set screw M4x6 B
44	E1A1533003	BH positioned plate
45	E1A1513000	BH movement crank
46	004240223	Set screw (M4x6)
47	E1A1523003	BH positioned plate
48	E1A1473003	BH lever crank
49	003041605	Spring pin (ø1.6x5)
50	E4A6003209	BH lever button
51	G4A0563002	BH lever
52	E1A1483003	BH lever spring plate
53	M70073002	Auto threaded stopper
54	E1A2433000	Needle bar driving rod pin
55	004240033	Set screw(M4*5)
56	F4A3343000	Needle bar crank rod
#1	H101 95000	Needle bar bracket complete
#2	E1A2434000	Needle bar driving rod pin

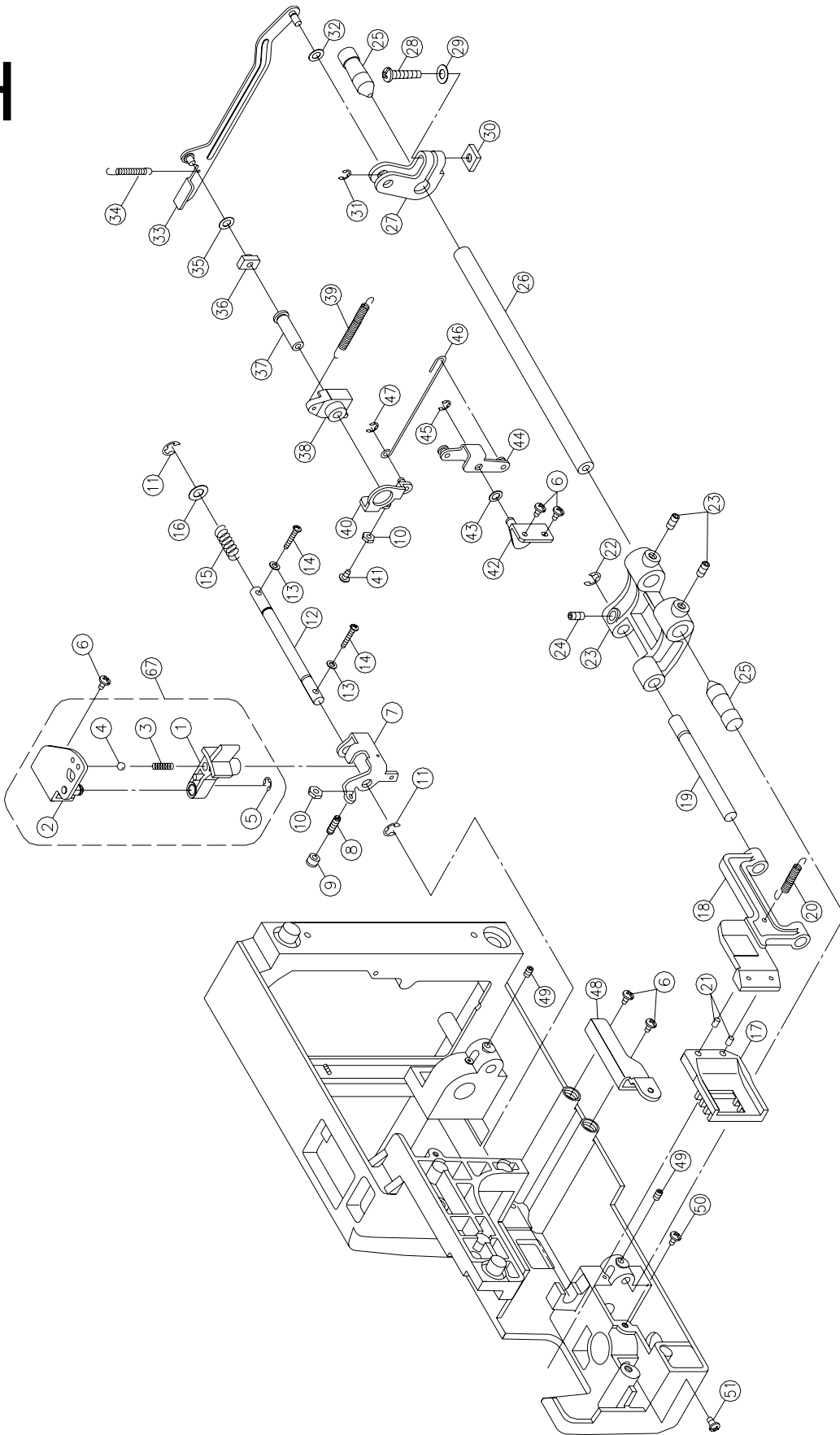
Pos	Part No.	Description
1	002425118	Switch ass'y
2	002252129	Receptacle holder
3	004240106	Set screw (M4x8 A)
4	E1A1973209	Receptacle holder cover
5	004230286	Set screw (M3*8 B)
6	004830016	Nut (M3 t=2.3)
7	002621129	Concert insulation plate
8	004230865	Set screw (M3*20)
9	002624129	Receptacle
10	004840120	Nut (M3*4)
11	002504025	Motor bracket
12	008059302	Cushion rubber
13	002396029 *	Belt wheel
14	002145029	Motor feed regulator collar
15	003010036	E-Ring (ETW-3)
16	004300306	Washer (5.4*10*0.9)
17	004600296	Spring washer (5.2*9*1)
18	004250086	Set screw (M5*12)
19	N/S	
20	004241428	Set screw (M4*10.2)
21	002424118	Lamp holder complete (for 220V-240V) E.U.
22	004230056*	Set screw M3x5B
23	005240011	Lamp (for 240V 15W)
24	AA0463000	End termed
25	002027129	Cord clip
26	001352109	Foot controller (KD-1902) 120V U.S.A
27	002147427	Lamp holder complete (only for 120V) U.S.A
28	005120021	Lamp (for 120V 10W)
29	001351109	Motor complete (for 120V) HF-07150 U.S.A
30	004840131	Nut (M4*5.5)

G

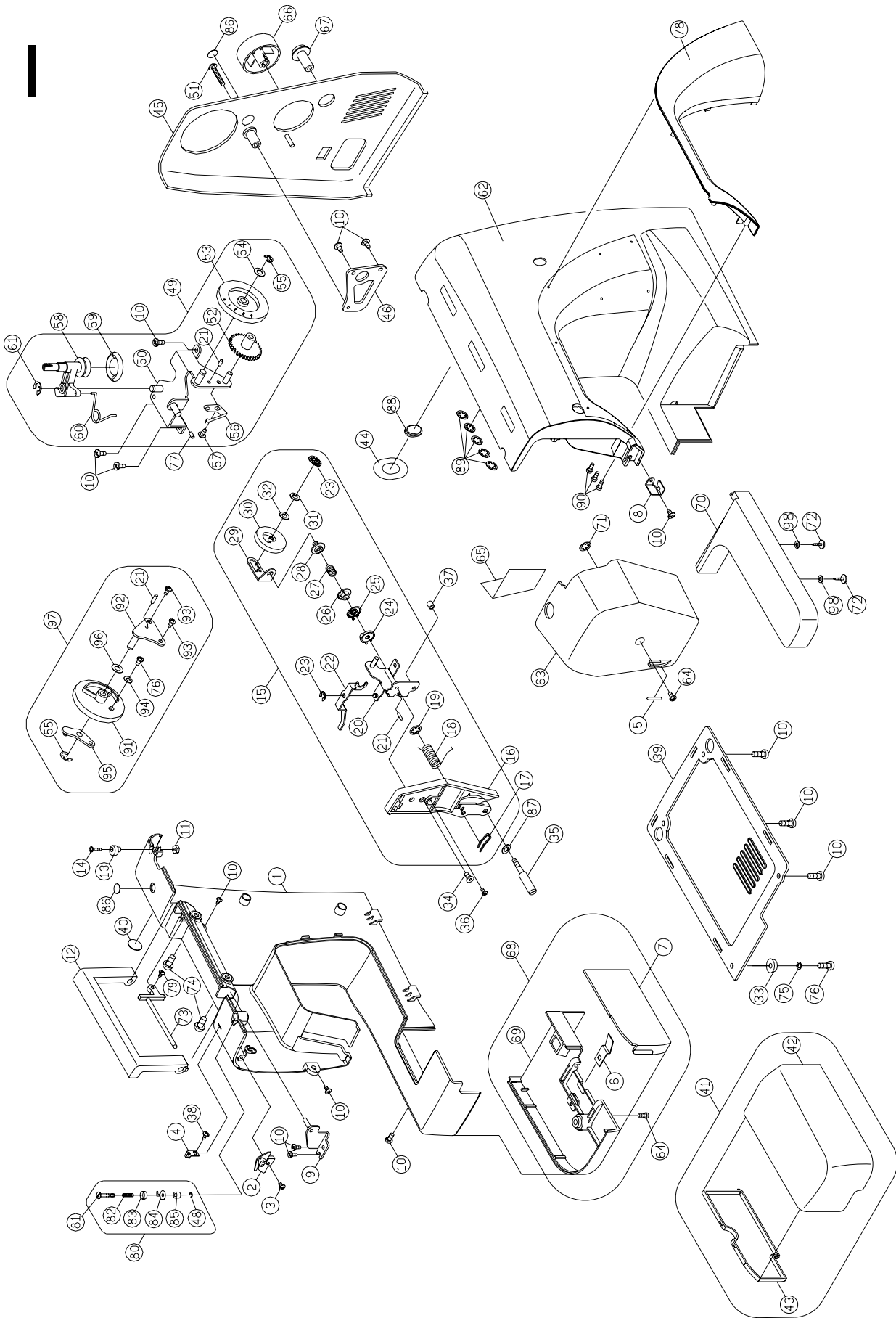


Pos	Part No.	Description
1	G4A1573000	Lower shaft gear
2	004250203	Set screw (M5*5)
3	H71153003	Shuttle driver shaft collar
4	004400210	Endure attrition washer
5	G4A1063000	Lower shaft bushing (1)
6	G4A1253000	Feed lifting rock cam
7	004240033	Set screw (M4x5)
8	G4A0083000	Lower shaft
9	V60363000	Crank connecting rod crank
10	004250203	Set screw (M5x5)
11	V10833003	Crank connecting rod crank pin
12	003010053	E-Ring (ETW-5)
13	V11553003	Lower shaft collar
14	004240503	Set screw (M4x4)
15	G4A1073000	Lower shaft bushing (2)
16	V11003002	Open shuttle race
17	V11583002	Shuttle hook holder spring
18	H71093003	Shuttle hook holder spring screw
19	V11573001	Shuttle hook holder
20	K81123002	Shuttle driver
21	K81143003	Shuttle driver spring
22	004103043	Shuttle driver spring screw
23	004400800	Endure bar washer (7.6x12x0.13)
24	V62043000	Shuttle hook (4.6mm)
25	006066008	Bobbin
26	H71186001	Bobbin case
27	H13803001	Bobbin case spring
28	H13973002	Bobbin case spring set screw
29	G4A1583000	Shuttle driver shaft gear
30	004107293	Set screw (11/64x40x4)
#1	G4A1574000	Lower shaft gear complete
#2	V60354000	Crank connecting rod crank complete
#3	V11564000	Lower shaft collar complete
#4	G4A1584000	Shuttle driver shaft gear complete
#5	H71155000	Shuttle driver shaft collar complete
#6	V10995000	Open shuttle race complete
#7	K81125000	Shuttle driver complete
#8	H71185000	Bobbin case complete

H



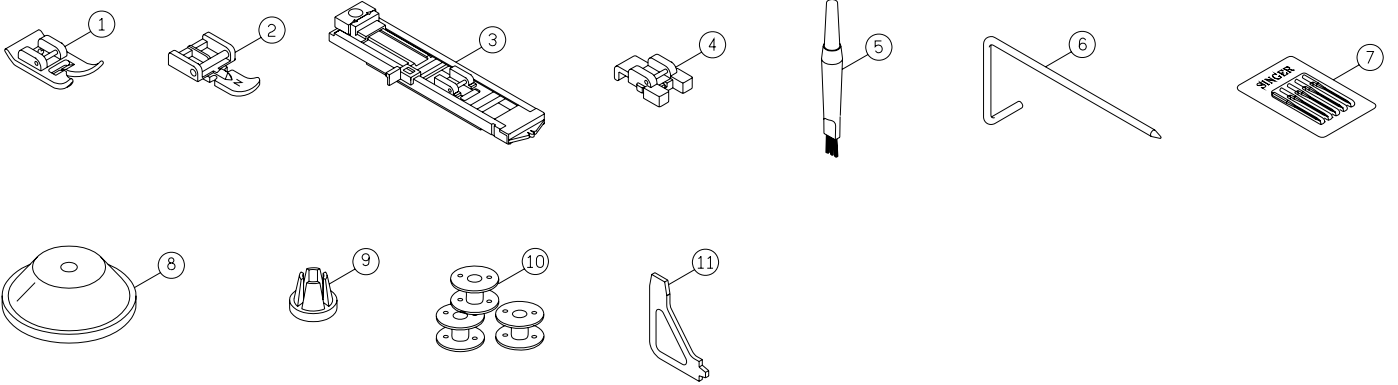
Pos	Part No.	Description
1	G4A0313209	Feed dog lifting rod
2	G4A1003003	Feed lifting shaft crank
3	H10483003	Presser bar regulating spring
4	H12883000	Steel ball
5	003010046*	E-Ring ETW-4
6	004240106	Set screw M4x8 A
7	G4A1263582	Feed rock crank
8	004250323*	Set screw M4x7
9	K81243000	Set screw knob
10	004840106	Adjusting nut ALN-4
11	003010073	E-Ring (ETW-7)
12	G4A1023003	Feed rock shaft
13	004300136	Washer (4.2x8x0.8)
14	004240146*	Set screw M4x15 B
15	K81263003	Feed lifting rock shaft spring
16	004300226	E-Ring (8.2x16x1)
17	H70523002	Feed dog
18	G4A1133001	Feed dog frame
19	H70513003	Feed dog shaft
20	K81393003	Feed dog frame spring
21	004104012	Set screw (1/8x44 L=5)
22	003010053	E-Ring (ETW-5)
23	G4A1113000	Feed rock frame
24	004240223	Set screw M4x6
25	H70883000	Center bar
26	G4A1103003	Feed rock shaft
27	G4A1143008	Feed rock crank
28	004240146	Set screw (M4x15 B)
29	004300093	Washer (4x8x0.5)
30	004840073	Feed rock crank Nut (M4)
31	003010036	E-Ring (ETW-3)
32	004400450	Endure attrition washer(5.5x12x0.25)
33	G4A1243003	Fork rod
34	V60463003	Fork rod spring
35	004400180	Washer (5.7x10.5x0.5)
36	V11533000	Feed regulating block
37	V60443000	Feed regulating shaft
38	G4A1163000	Feed regulating
39	V70063003	Feed regulating spring
40	G4A1175003	Feed regulating plate complete
41	004240046	Set screw (M4x10 B)
42	G4A1223003	Feed rod frame complete
43	004300186	Washer (6.2x12x0.5)
44	G4A1203003	Feed rock rod complete (3)
45	003011052	E-Ring (ETW-5)
46	G4A1193003	Feed rock rod (2)
47	003010046	E-Ring (EWT-4)
48	G4A0973003	Foot hook holder
49	004240033	Set screw (M4x5)
50	004250151	Set screw (M5x10 B)
51	004240066	Set screw (M4x8 B)
#1	G4A0314000	Feed dog lifting rod complete



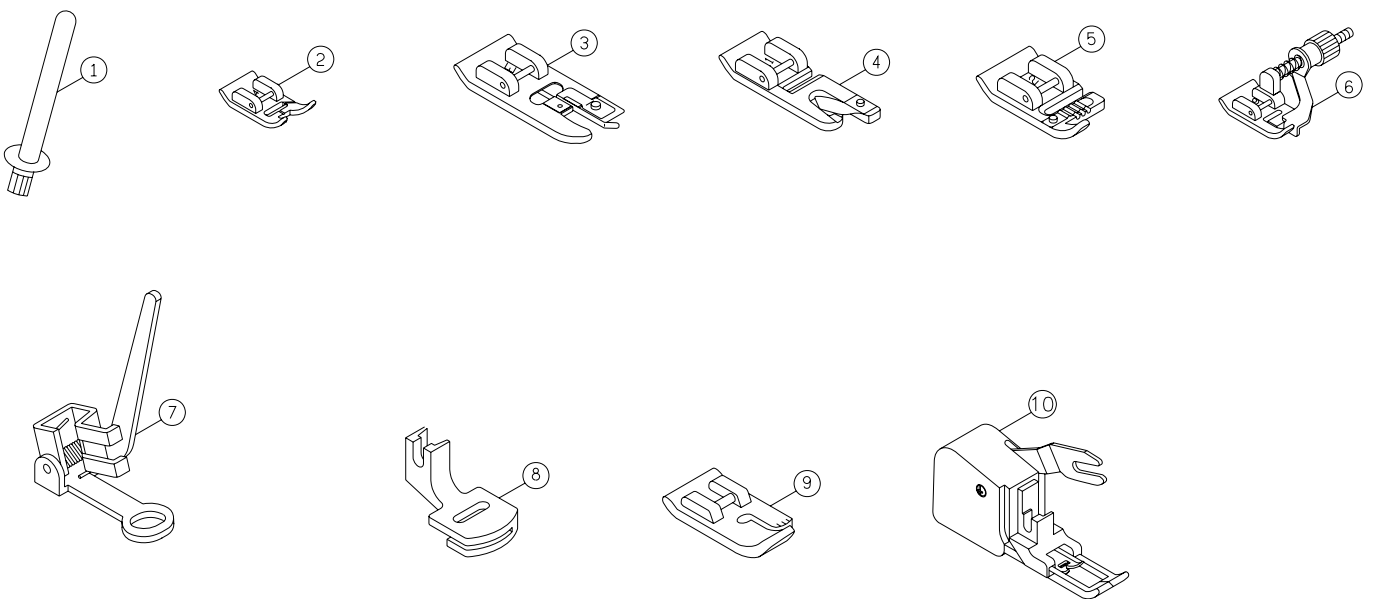
No.	Part No.	Description	No.	Part No.	Description
1	G2DB003209	Back cover	64	004241061*	Set screw (M4×12)
2	V610155000	Thread guide complete	65	G2D0173000	Heat resistant plate
3	004230326	Set screw (M4 8)	66	E4A0233209	Selector dial
4	E1A2043001	Thread guide	67	G2D0253209	Adjusting dial
5	V630593000	Thread cutter	68	G2DA014209	Free arm base plate
6	R12453002	Hook cover spring	69	G2DA013209	Free arm base
7	G2D0063209	Hook cover	70	G2D0143209	Free arm foot bush
8	F4A0643001	Arm top cover thread guide plate	71	003020053	CS-ring (CSTW-5)
9	V61253006	Arm top cover plate	72	0042300216	Set screw(M3 8.5)
10	004240106 *	Set screw (M4×8 A)	73	V610443209	Spool rod
11	004706013 *	Nut (9/64×40 t=3)	74	004240306	Set screw (M4×10B)
12	V880083209	Handle	75	004300202	Washer (4.5×10×0.8)
13	E1A2393000	Bobbin winder stopper	76	004240046	Set screw (M4×10 B)
14	004106162	Set screw (9/64×40×16)	77	003043008	Pin (3×8×0.6)
15	G4DA004209	Dial tension complete	78	G2D0023209	Plate
16	G2D0083209	Dial tension supporter plate cover	79	004230646	Set screw(M3 16.7B)
17	V61873001	Thread guide	80	E1A2065000	Bobbin winder thread guide complete
18	E1A2073000	Thread guide spring	81	E1A2053001	Bobbin winder thread guide adjusting
19	003020453	CS-ring (CSTW-4.5)	82	H13153001	Bobbin winder thread guide spring
20	V60243002	Dial tension supporter plate	83	H13133001	Bobbin winder spring disc
21	003043010	Spring pin (3×10×0.6)	84	V610223001	Bobbin winder thread guide
22	V60263003	Dial tension waft plate	85	E1A2353006	Spacer
23	003010043*	E-Ring (ETW-4)	86	V61503209	Plate (1)
24	J30423001	Dial tension disc (1)	87	004300096	Washer(4×8×0.5)
25	E1A2333001	Dial tension disc	88	G2D0033002	Stitch display
26	R10593000	Dial tension spring regulator	89	003020043	CS-ring(CSTW-4)
27	NB1083000	Dial tension spring	90	004230126	Set screw
28	K50193000	Dial tension regulator	91	E3A0133209	Zig zag width cam complete
29	V60273006	Dial tension spring plate	92	E3A0113006	Zig zag width dial plate
30	G4DA003209	Dial tension knob	93	004240056	Set screw (M4×6 B)
31	004300643*	Washer (5.2×10×0.5)	94	004300076*	Washer(4.2×9×0.5)
32	004500360*	Washer (WW-5)	95	G4B3013006	Zig zag width crank
33	J31413000	Free arm base cushion rubber	96	004500600*	Washer (6.5×10.5×1.5)
34	004240176*	Set screw (M4×6 D)	97	G4B878420	Zig zag width dial complete
35	004240982*	Set screw M4	98	004300136	Washer (4.2*8*0.8)
36	004240146*	Set screw (M4×15 B)			
37	H11103001	Dial tension guide spring tube			
38	004230216	Set screw (M3×8.5)			
39	G2D0133209	Bottom plate			
40	G2D0223209	Plate			
41	G2D0104209	Sewing table complete			
42	G2D0103209	Sewing table body			
43	G2D0113209	Sewing table body cover			
44	G2D0183000	Plate			
45	G2DA003209	Motor drive belt cover			
46	E1A1723003	Motor drive belt cover frame			
47	E3A0153003	Zig zag width crank rod			
48	003010036*	E-Ring (ETW-3)			
49	G4AR004209	Bobbin winder frame complete			
50	G4A0935006	Bobbin winder frame			
51	004241106*	Set screw M4×0.7 L25			
52	V61183000	Feed regulator gear			
53	G4AR003209	Feed regulator dial			
54	004300186*	Washer (6.2×12×0.5)			
55	003010046*	E-Ring (ETW-4)			
56	EAA0203003	Feed regulator set plate			
57	004240676*	Set screw (M4×5 B)			
58	V61165000	Bobbin winder crank complete			
59	F20213000*	Bobbin winder rubber pulley			
60	V61563003	Bobbin winder crank spring			
61	003010053	E-Ring (ETW-5)			
62	G4DC013209	Front cover			
63	G2DF00 3209	Face plate			

J

Standard accessories



Optional accessories



Standard accessories

No.	Part No.	Description
1	006806008	Zig zag foot (J)
2	006905008	Zipper foot (I)
3	006171008	Buttonhole foot (D)
4	006914008	Button sew on foot
5	006099008	Brush Seam ripper complete
6	006008001	Quilting bar
7	006175008	Pack needles
8	R12373209	Spool holder (large)
9	TA10943209	Spool holder (small)
10	006066008	Bobbin
11	006093009	Screwdriver

Optional accessories

No.	Part No.	Description
1	R60033209	Second spool pin
2	006804008	Satin stitch foot
3	006803008	Over casting foot
4	006800008	Hemmer foot
5	006810008	Cording foot
6	006812008	Blind hem foot
7	006016008	Embroidery foot
8	006917008	Gathering foot
9	006916008	Quilting foot (P)
10	006815008	Walking foot (optional)