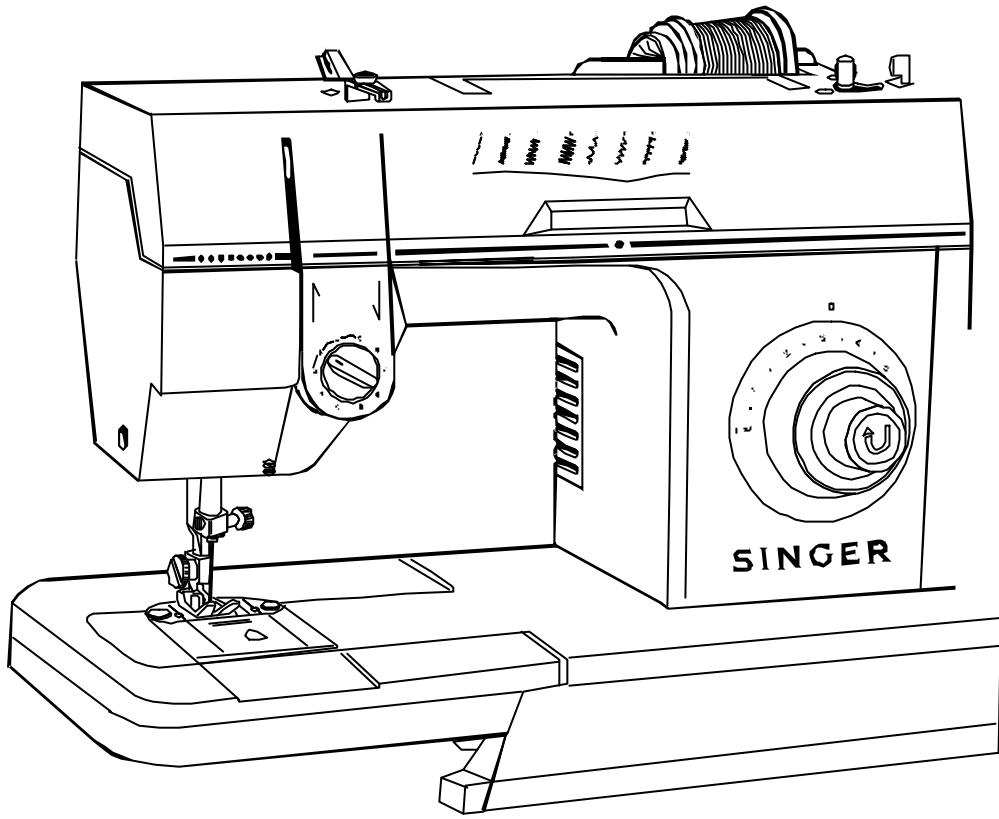


List of parts Sewing Machine

Model 2808

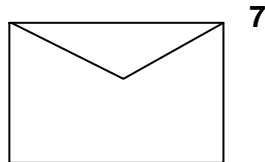
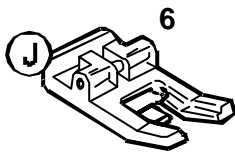
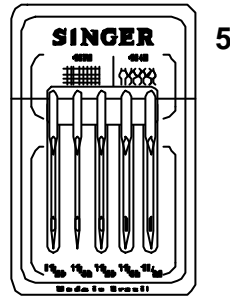
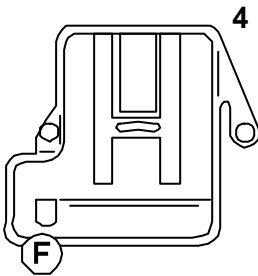
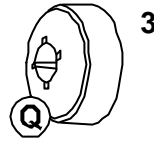
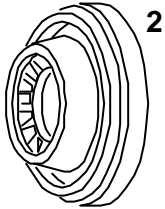
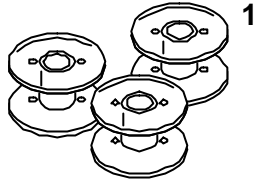


® A registered trademark of the "THE SINGER COMPANY LIMITED"



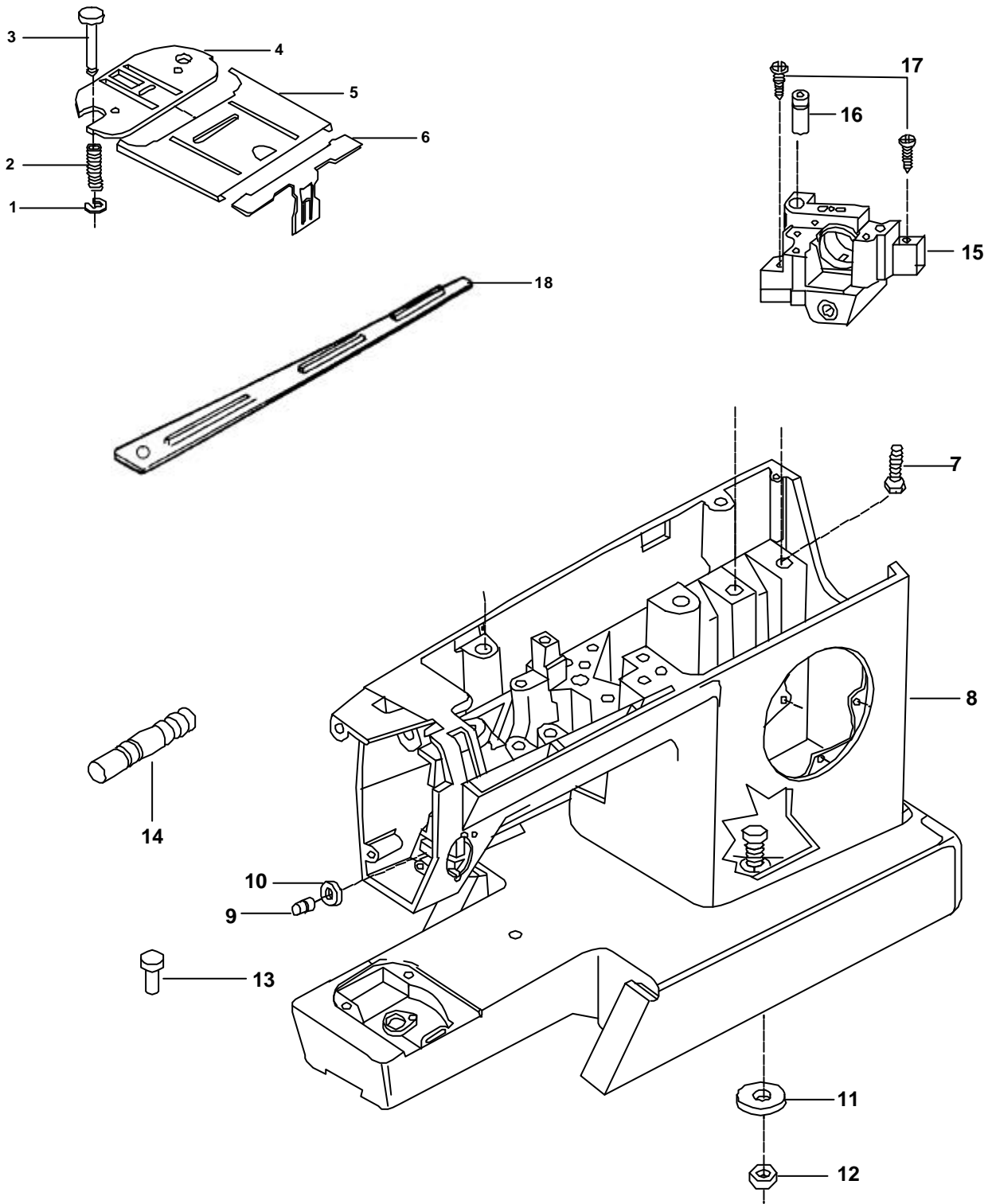
SUBASSEMBLY DESCRIPTION	PAGE
<i>ATTACHMENT SET</i>	<i>04/05</i>
<i>ARM / BED, THROAT PLATE AND BOBBIN VISOR</i>	<i>06/07</i>
<i>ARM, TOPCOVER AND SHROUDER</i>	<i>08/09</i>
<i>FRONTCOVER, REARCOVER AND PANEL</i>	<i>10/11</i>
<i>OTHERCOVERS</i>	<i>12/13</i>
<i>NEEDLEBAR</i>	<i>14/15</i>
<i>PRESSER BAR</i>	<i>16/17</i>
<i>ARM SHAFTDRIVE</i>	<i>18/19</i>
<i>HANDWHEEL</i>	<i>20/21</i>
<i>TENSION MECHANISM</i>	<i>22/23</i>
<i>HOOKSYSTEM</i>	<i>24/25</i>
<i>BIGHTAMPLITUDE</i>	<i>26/27</i>
<i>DRIVINGARM SLIDE AND PATTERN SELECTOR DIALPIN</i>	<i>28/29</i>
<i>PATTERN SELECTOR</i>	<i>30/31</i>
<i>CAM STACK</i>	<i>32/33</i>
<i>FEEDREGULATORCAM</i>	<i>34/35</i>
<i>FEED SYSTEM</i>	<i>36/37</i>
<i>ELECTRICAL EQUIPMENT</i>	<i>38/39</i>

8



REF.	PARTS NUMBER	DESCRIPTION	2808
1	172336-001	Bobbin(plastic)	●
2	179967-461	Armtopcoverspoolpinthreadlead-off	●
3	507664-467	Armtopcoverspoolpinthreadlead-off(smallplastic)	●
4	313117-000	Feedcoverplate(plastic)	●
5	353364-000	Needlepack(includes1eachN2020size11/14/16andN2045size11/14)	●
6	446492-000	Special purposepresserfootplate(snap-on)	●
7	358286-451	Acessory storage	●
8	358244-001	Attachmentcomplete	●

ARM / BED, THROAT PLATE AND BOBBIN VISOR

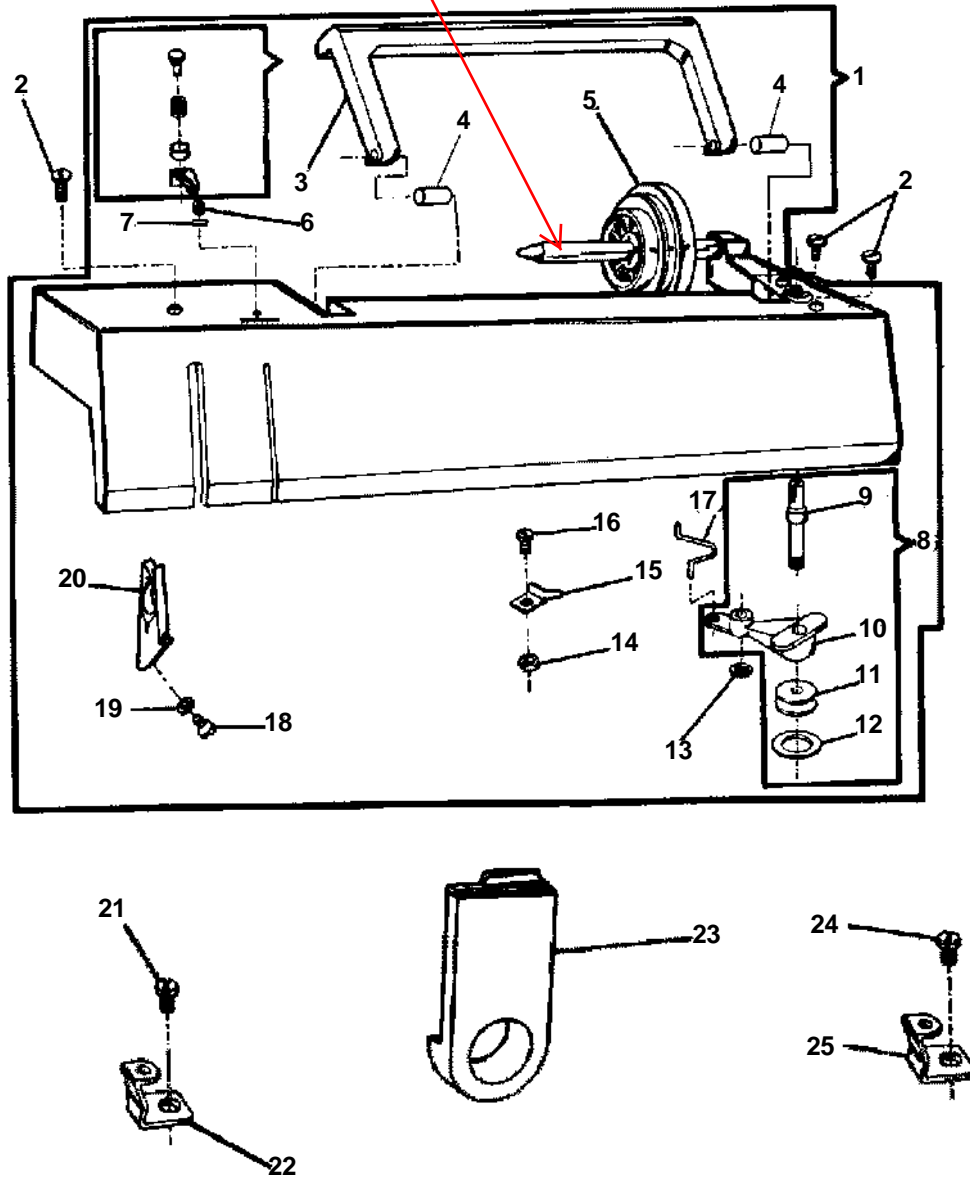


ARM / BED, THROAT PLATE ANDBOBBIN VISOR

REF.	PARTS NUMBER	DESCRIPTION	2808
1	179926-000	Throat Plate Clamp SpringRetainingRing	●
2	357611-000	Troat plate clamp spring	●
3	353597-000	Throat plate clamp	●
4	356713-000	Throat plate for zig-zag sewing	●
5	356715-000	Bedslideplate	●
6	446482-000	Bedslidespring	●
7	357020-451	Arm shaft (rear) housing mounting screw	●
8	358243-451	Arm andbedassembly	●
9	357438-001	Tension releasingleverhinge pin	●
10	357464-002	Tension releasingleverhinge pinwasher	●
11	353375-451	Bed(bottom) cover & cabinet bolt washer	●
12	514608-000	Bed(bottom) cover & cabinet bolt nut	●
13	353624-000	Throat plate positionpin(plastic)	●
14	446375-000	Thread take-up lever linkhingestud	●
15	358246-000	Arm shaft (rear) housing assembly	●
16	357019-000	Arm top cover mounting stud	●
17	113455-006	Arm shaft (rear) housing mounting screw	●
18	358235-900	Filler plate	●

ARM TOP COVERANDSHROUDER

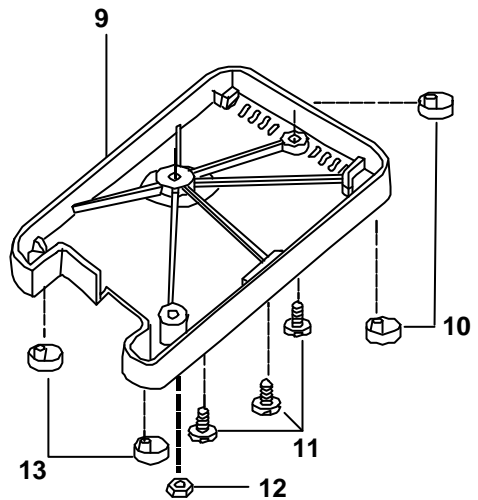
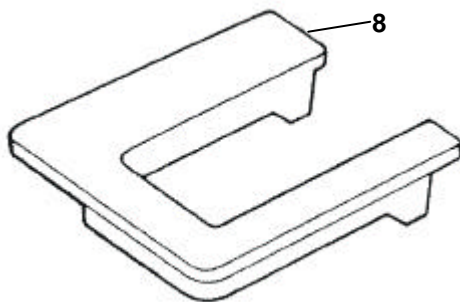
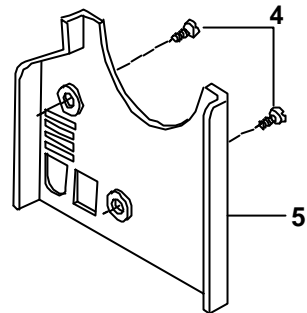
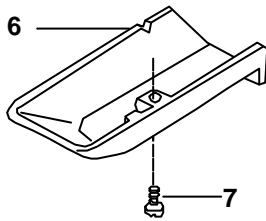
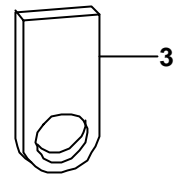
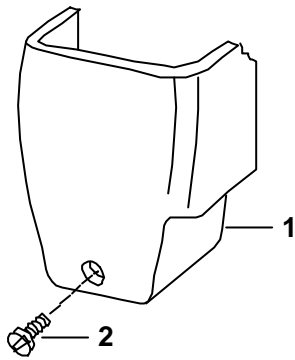
Spool Pin:
356758903



ARM TOP COVERANDSHROUDER

REF.	PARTS NUMBER	DESCRIPTION	2808
1	358397-001	Armtopcovercomplete-USA	●
1	358397-002	Armtopcovercomplete-SAT	●
1	358397-003	Armtopcovercomplete-EUROPA/BRASIL	●
1	358397-004	Armtopcovercomplete-EUROPA(AZUL)	●
2	354975-451	Armtopcoverscrew	●
3	357338900	Armtopcovermachinehandle	●
4	357325-900	Armtopcovermachinehandlearticulatingpin	●
5	179967-461	Armtopcoverthreadleadoff(large)	●
6	141936-833	Bobbinwinderregulatingcrew	●
7	44794-000	Bobbinwinderregulatingcrewclip	●
8	356047-000	Bobbinwindertensioncomplete	●
9	531767-452	Bobbinwinderassembly	●
10	357081-452	Bobbinwinderspindlecomplete	●
11	357082-452	Bobbinwinderframe	●
12	44440-001	Bobbinwinderfrictionringpulley	●
13	15287-701	Bobbinwinderfrictionring	●
14	445486-000	Bobbinwinderretainingring	●
15	53640-819	Bobbinwinderstopscrewnut	●
16	445924-000	Bobbinwinderstop	●
17	141920-455	Bobbinwinderstopscrew	●
18	531766-000	Bobbinwinderhinge studspring	●
19	356116-451	Armtopcoverthreadguidescrew	●
20	446138-000	Armtopcoverthreadguidescrewwasher	●
21	357084-451	Armtopcoverthreadguide	●
22	354826-451	Armtopcovermountingbracketscrew	●
23	531765-000	Armtopcoverbracket(left)	●
24	356173-453	Armtopcovershrouder	●
25	113455-001	Armtopcovermountingbracketscrew	●
26	356178-000	Armtopcovermountingbracket(right)	●

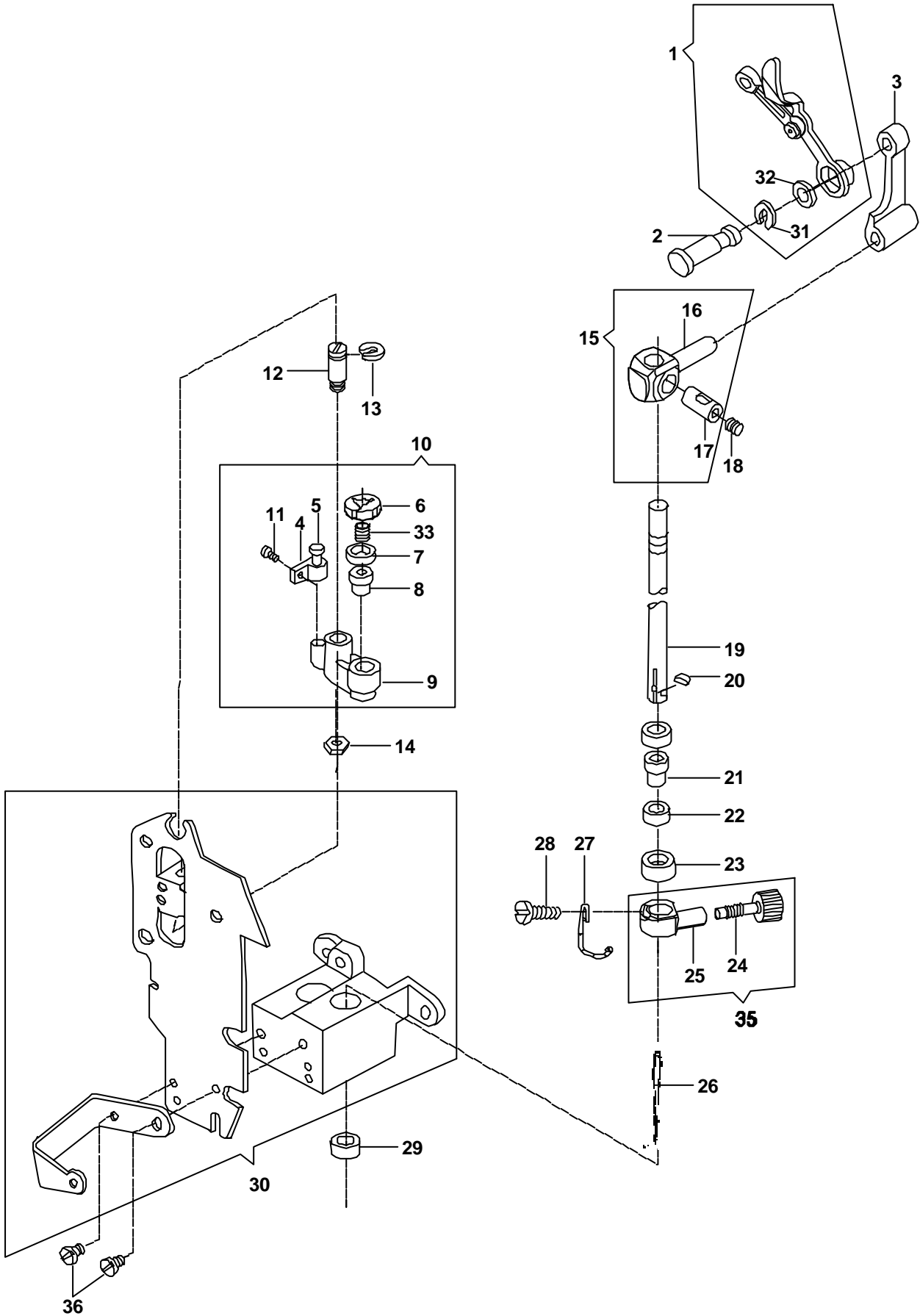
FRONT COVER, REARCOVER AND PANEL



FRONT COVER, REARCOVER AND PANEL

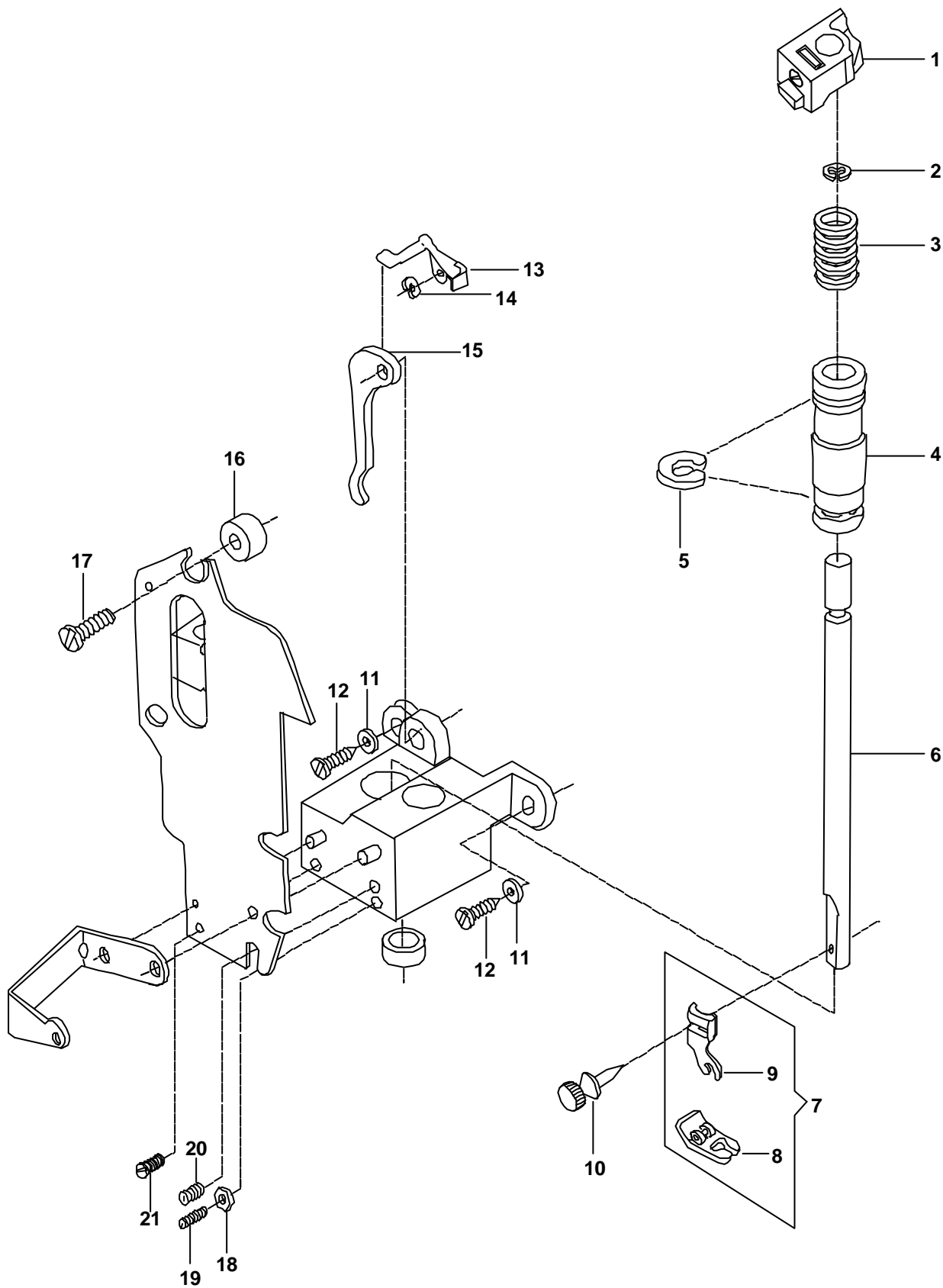
REF.	PARTS NUMBER	DESCRIPTION	2808
1	356051-454	Faceplatecomplete	●
2	354133-453	Faceplatescrew	●
3	356173-453	Armtopcovershrouder	●
4	364063-451	Armendcoverscrew	●
5	358282-900	Armendcover	●
6	446493-453	Bed(tubular)bottomcover (plastic)	●
7	354895-453	Bed(tubular)bottomcover fasteningscrew	●
8	531882-452	Bedextensionplate	●
9	353587-453	Bed(bottom)cover(plastic)	●
10	357797-451	Bedcushion	●
11	113455-001	Bed(bottom)coverfasteningscrew	●
12	514608-000	Bed(bottom)coverfasteningscrewnut	●

NEEDLE BAR



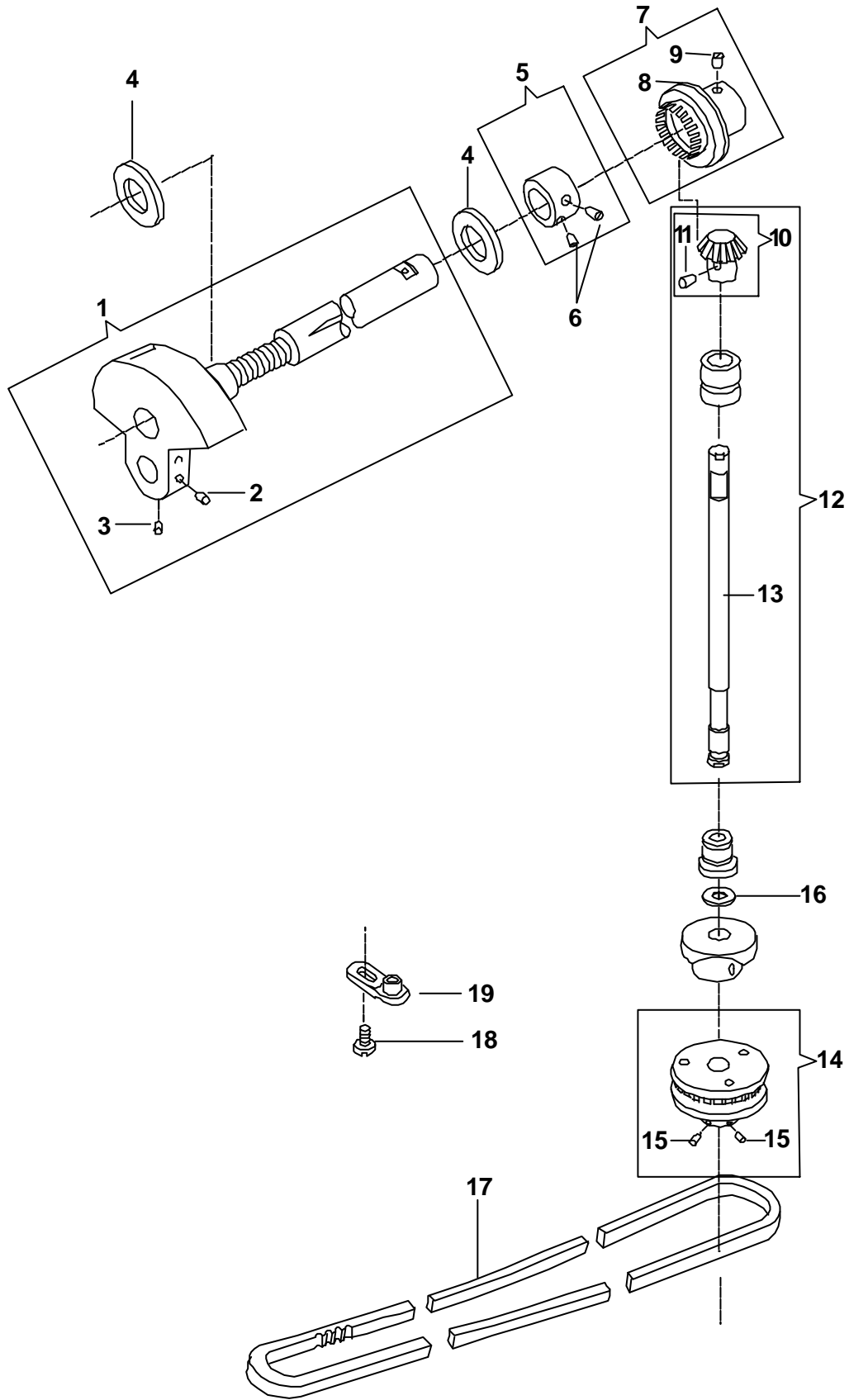
NEEDLE BAR

REF.	PARTS NUMBER	DESCRIPTION	2808
1	445672-000	Threadtake-uplever complete	●
2	446260-000	Threadtake-upstud	●
3	446357-000	Threadtake-uplever link	●
4	446190-000	Needlebar driving arm hinge bracket	●
5	37935-000	Needlebar driving arm hinge bracket hinge pin	●
6	353522-001	Needlebar ball bushing (upper) retaining ring	●
7	357615-000	Needlebar ball bushing (upper) socket (lower)	●
8	446355-001	Needlebar ball bushing (upper)	●
9	353521-000	Needlebar vibrating bracket	●
10	353520-001	Needlebar vibrating bracket complete	●
11	354826-451	Needlebar driving arm hinge bracket screw	●
12	446359-000	Needlebar vibrating bracket hinge pin	●
13	445721-000	Needlebar vibrating bracket hinge pin retaining ring	●
14	357093-451	Needlebar vibrating bracket hinge pin nut	●
15	353549-940	Needlebar connecting stud with hinge pin	●
16	353549-000	Needlebar connecting stud	●
17	37931-000	Needlebar connecting stud hinge pin	●
18	141916-833	Needlebar clamping screw	●
19	445793-000	Needlebar	●
20	37943-000	Needlebar gib	●
21	446355-001	Needlebar ball bushing (lower)	●
22	507379-000	Needlebar ball bushing (lower) socket	●
23	446361-001	Needlebar ball bushing (lower) adjusting collar	●
24	355248-451	Needle thumb screw	●
25	357429-000	Needle clamp body	●
26	204517-100	Needle 2045 size NBR 14	●
27	357421-000	Needle clamp thread guide	●
28	141920-455	Needle clamp body, needle clamp thread guide & needle stop screw	●
29	44450-000	Needlebar ball bushing (lower) socket (upper)	●
30	357360-000	Needlebar, presser bar & vibrating bracket housing assembly	●
31	445486-000	Threadtake-upstud retaining ring	●
32	543531-000	Threadtake-upstud thrust washer	●
33	357616-000	Needlebar ball bushing (upper) socket spring	●
34	446261-000	Threadtake-upstud with retaining ring	●
35	357430-000	Needle clamp body with screw	●
36	113480-451	Needle clamp body with screw	●



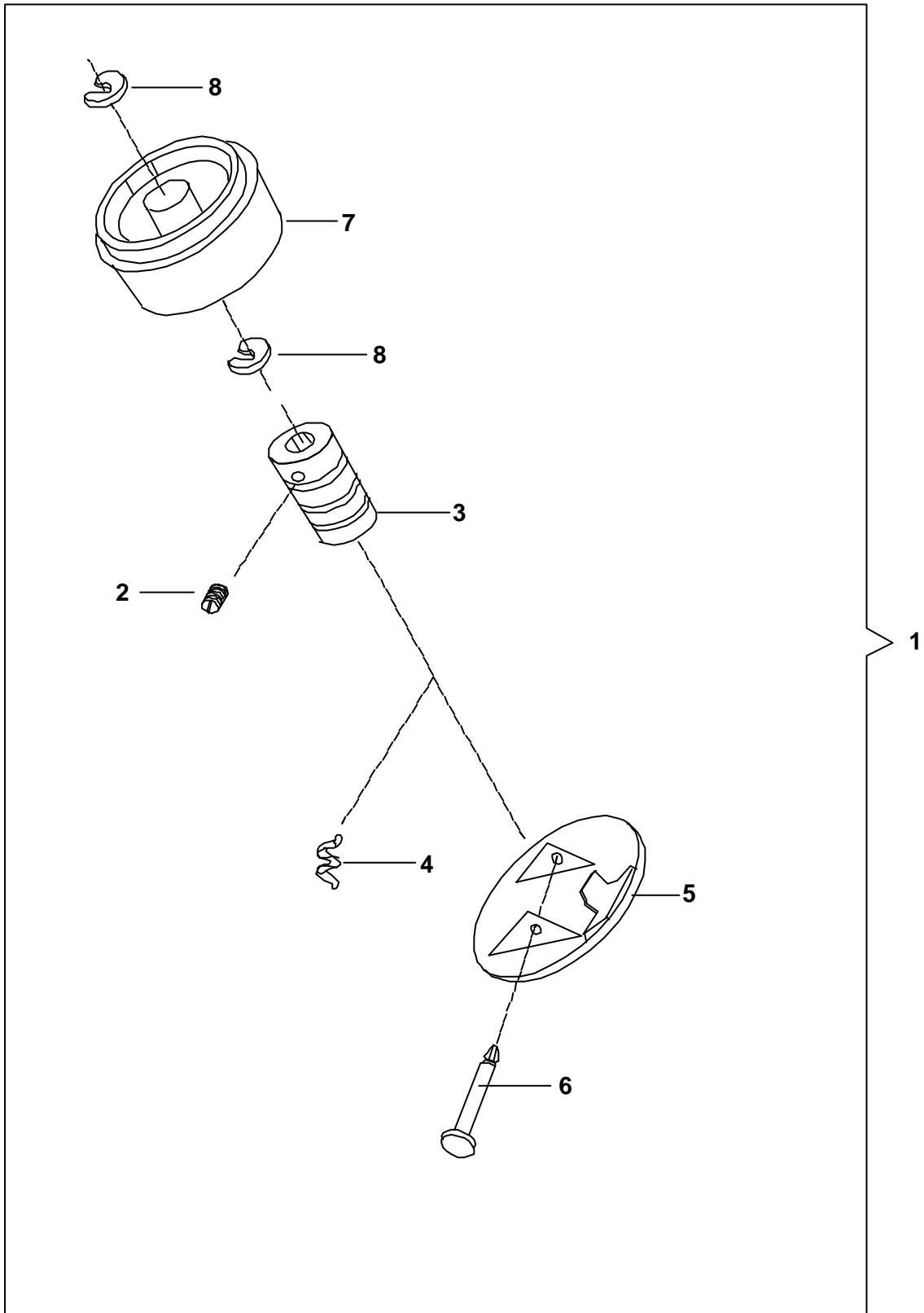
REF.	PARTS NUMBER	DESCRIPTION	2808
01	353367-451	Presser bar guide bracket nut	●
02	353215-000	Presser bar spring retaining ring (upper)	●
03	357362-000	Presser bar spring	●
04	445947-002	Presser bar bushing	●
05	357604-000	Presser bar bushing locatingring	●
06	357602-000	Presser bar	●
07	446372-000	Presser foot (snap-on) complete for zig-zag sewing	●
08	358214-900	Presser foot plate (snap-on) for zig-zag sewing	●
09	155964-000	Presser foot shank (snap-on)	●
10	354135-452	Presser foot thumb screw	●
11	353375-451	Needlebar,presserbar&vibrating bracket housing m.screw	●
12	113434-451	Needlebar,presserbar&vibrating brac.housing m.screw(upper)	●
13	445925-000	Tension releasinglever	●
14	445486-000	Tension releasingleverretaining ring	●
15	356170-451	Presser bar lifter	●
16	531627-000	Needlebar,presserbar&vibrating bracket h.Mount.bushing	●
17	113455-009	Needlebar,presserbar&vib.bracket h.Mount.screw(upper)	●
18	54591-451	Needlebaroverthrowsetscrewnut	●
19	354993-451	Needlebaroverthrowsetscrew	●
20	141938-833	Needlebarballbushing (lower) adjusting collar set screw	●
21	354906-451	Presser bar bushing setscrew	●

ARM SHAFT DRIVE

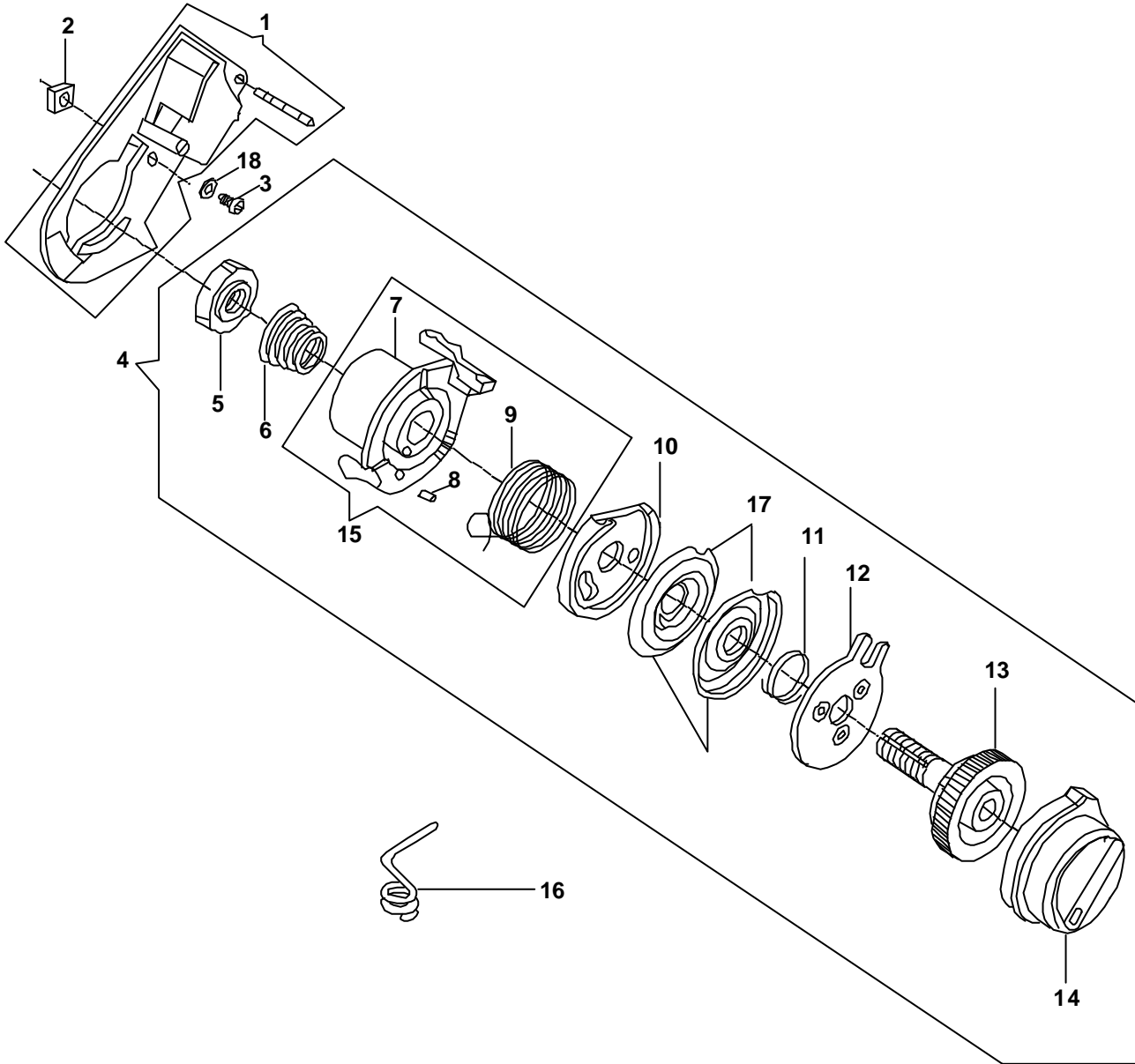


ARM SHAFT DRIVE

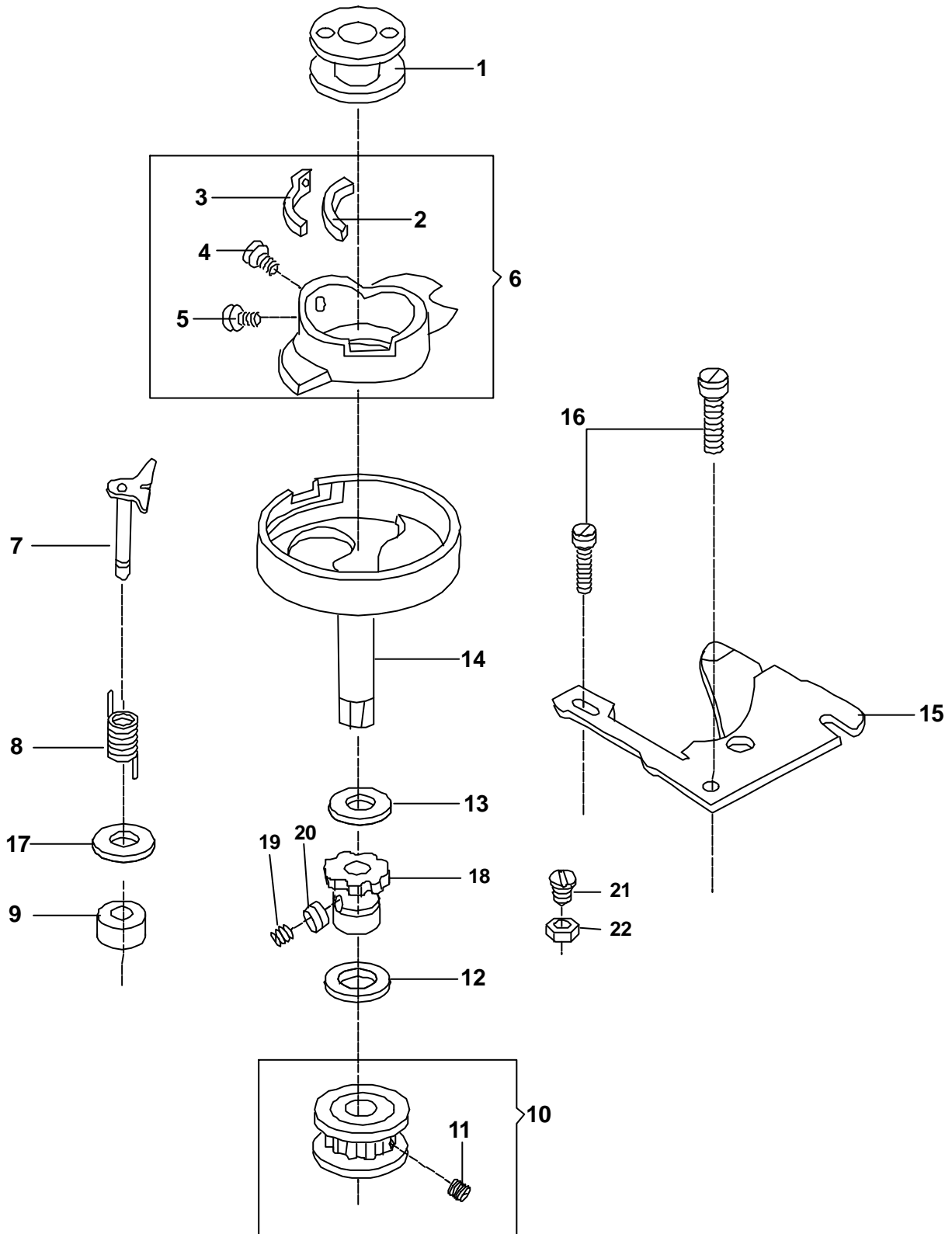
REF.	PARTS NUMBER	DESCRIPTION	2808
1	531684-000	Armshaftcomplete	●
2	354105-853	Threadtake-upsetscrew	●
3	141916-833	Armshaftcrankscrew	●
4	319764-000	Needlebarcrankwasher	●
5	353580-000	Armshaft(horizontal)retainingcollar	●
6	113500-451	Armshaft(horizontal)retaingcollar setscrew	●
7	353272-000	Armshaft(horizontal)bevelgearcomplete	●
8	353413-000	Armshaft(horizontal)bevelgear&feedliftingeccentricwasher(plastic)	●
9	354813-451	Armshaft(horizontal)bevelgear&feedliftingeccentricsetscrew	●
10	353273-002	Armshaft(upright)bevelgear(plastic)withscrews	●
11	354105-853	Armshaft(upright)bevelgearsetscrew	●
12	179952-002	Armshaft(upright)withbevergear	●
13	446225-002	Armshaft(upright)	●
14	353438-001	Armshaft(upright)beltdrivepulleycomplete	●
15	354906-451	Armshaft(upright)Beltdrivepulleyretainingcollarsetscrew	●
16	319826-000	Armshart(upright)beltdrivepulleywasher	●
17	446237-000	Rotatinghook drivebelt	●
18	358287-451	Rotatinghook drivebeltretainerscrew	●
19	358224-001	Rotatinghook drivebeltretainer	●



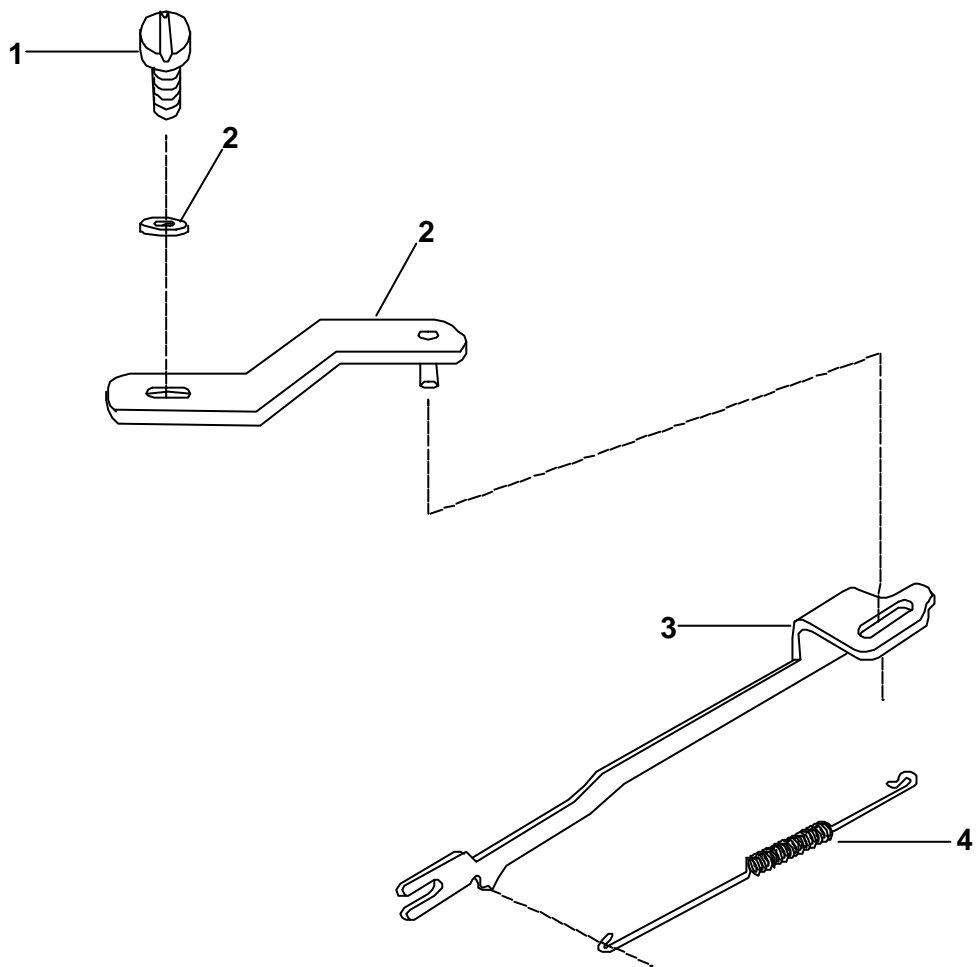
TENSION MECHANISM



REF.	PARTS NUMBER	DESCRIPTION	2808
01	356088-457	Tension mechanism shrouderassembly	●
02	514698-451	Tension mechanism shrouderscrew nut	●
03	141808-457	Tension mechanism shrouderscrew	●
04	356095-000	Tension studnut	●
05	356096-000	Tension spring	●
06	356089-000	Tension mechanism support	●
07	356246-900	Tension mechanism support pin	●
08	356097-000	Thread take-up spring	●
09	356091-000	Thread take-up spring thread guard	●
10	356216-000	Tension discpressureplatespring	●
11	356177-000	Tension discpressureplate	●
12	356092-451	Tension indicator with stud	●
13	356090-457	Tension indicator dial	●
14	356245-000	Tension mechanism support assembly	●
15	445784-000	Threadguide (lower)	●
16	356094-000	Tension disc	●
17	356443-000	Tension mechanism shrouderscrew washer	●

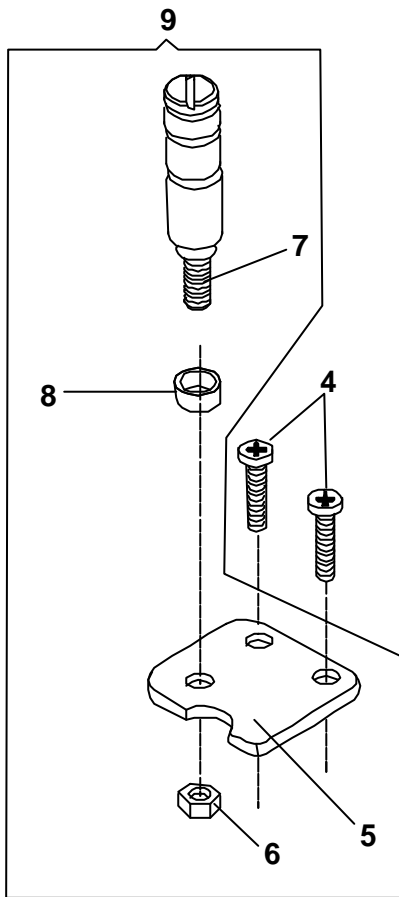
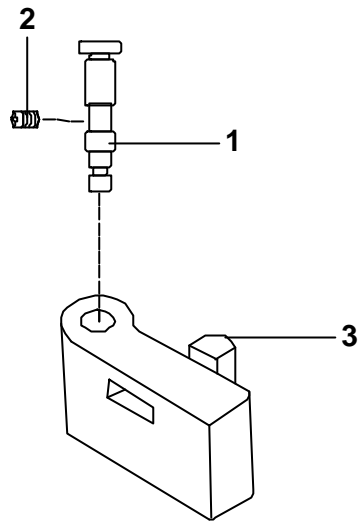


REF.	PARTS NUMBER	DESCRIPTION	2808
1	172336-001	Rotatinghook bobbin (plastic)	●
2	356490-451	Rotatinghook bobbin casetensionspringsegment	●
3	314715-000	Rotatinghook bobbin casetensionspring	●
4	355254-451	Rotatinghook bobbin casetensionregulating screw	●
5	139975-452	Rotatinghook bobbin casetensionspringsegment screw	●
6	421325-000	Rotatinghook bobbin casecomplete	●
7	353511-000	Rotatinghook bobbin caseretainingplateassembly	●
8	44892-000	Rotatinghook bobbin caseretainingplatestud spring	●
9	446417-000	Rotatinghook bobbin caseretainingplateretainingring	●
10	446235-000	Rotatinghook beltdrive pulleycomplete	●
11	141803-000	Rotatinghook beltdrive pulleyscrew	●
12	382861-906	Rotatinghook beltdrive pulleywasher	●
13	353453-000BUY	Rotatinghook wearwasher	●
14	353366-000	Rotatinghook complete	●
15	44873-001	Rotatinghook bobbin casepositionplate	●
16	354917-451	Rotatinghook bobbin casepositionplatescrew	●
17	445808-000	Washer	●
18	353410-900	Rotatinghook bushing	●
19	141938-833	Rotatinghook bushingsetscrew	●
20	353367-451	Rotatinghook bushingsetscrew nut	●
21	141844-451	Rotatinghook bushingadjustingscrew	●
22	618638-005	Rotatinghook bushingadjustingscrew nut	●

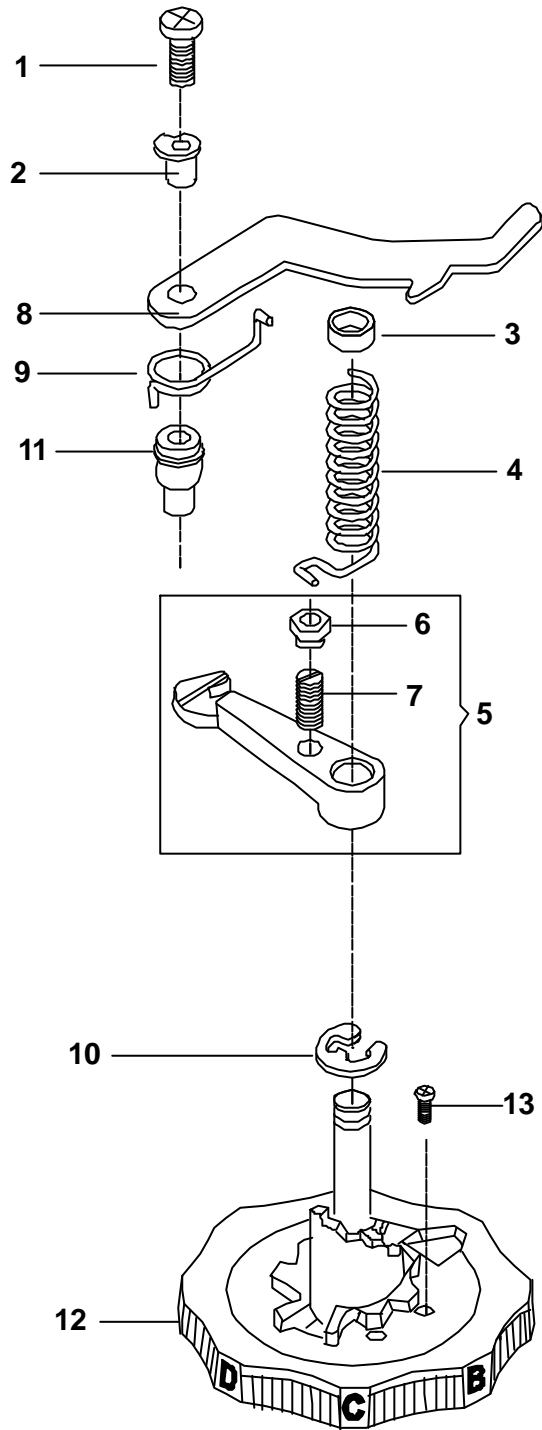


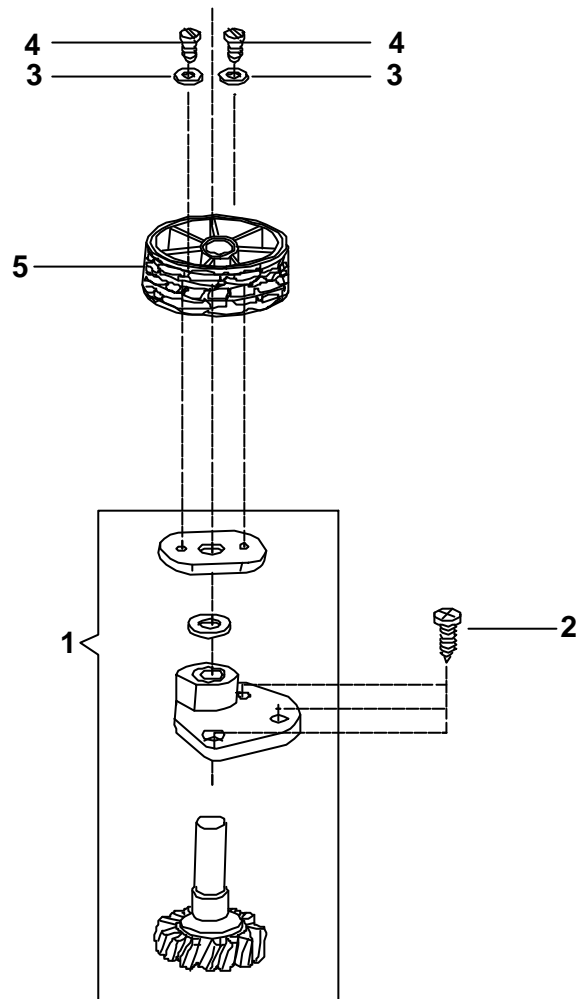
REF.	PARTS NUMBER	DESCRIPTION	2808
1	139943-803	Needlebar driving arm guide bracket ass'y screw	●
2	358281-000	Needlebar driving arm guide bracket ass'y	●
3	37933-002	Needlebar driving arm	●
4	358239-900	Needlebar driving arm tension spring	●
5	353375-451	Needlebar, presser bar & vibrating bracket housing mounting screw washer	●

DRIVING ARMS SLIDE AND PATTERN SELECTOR DIAL PIN

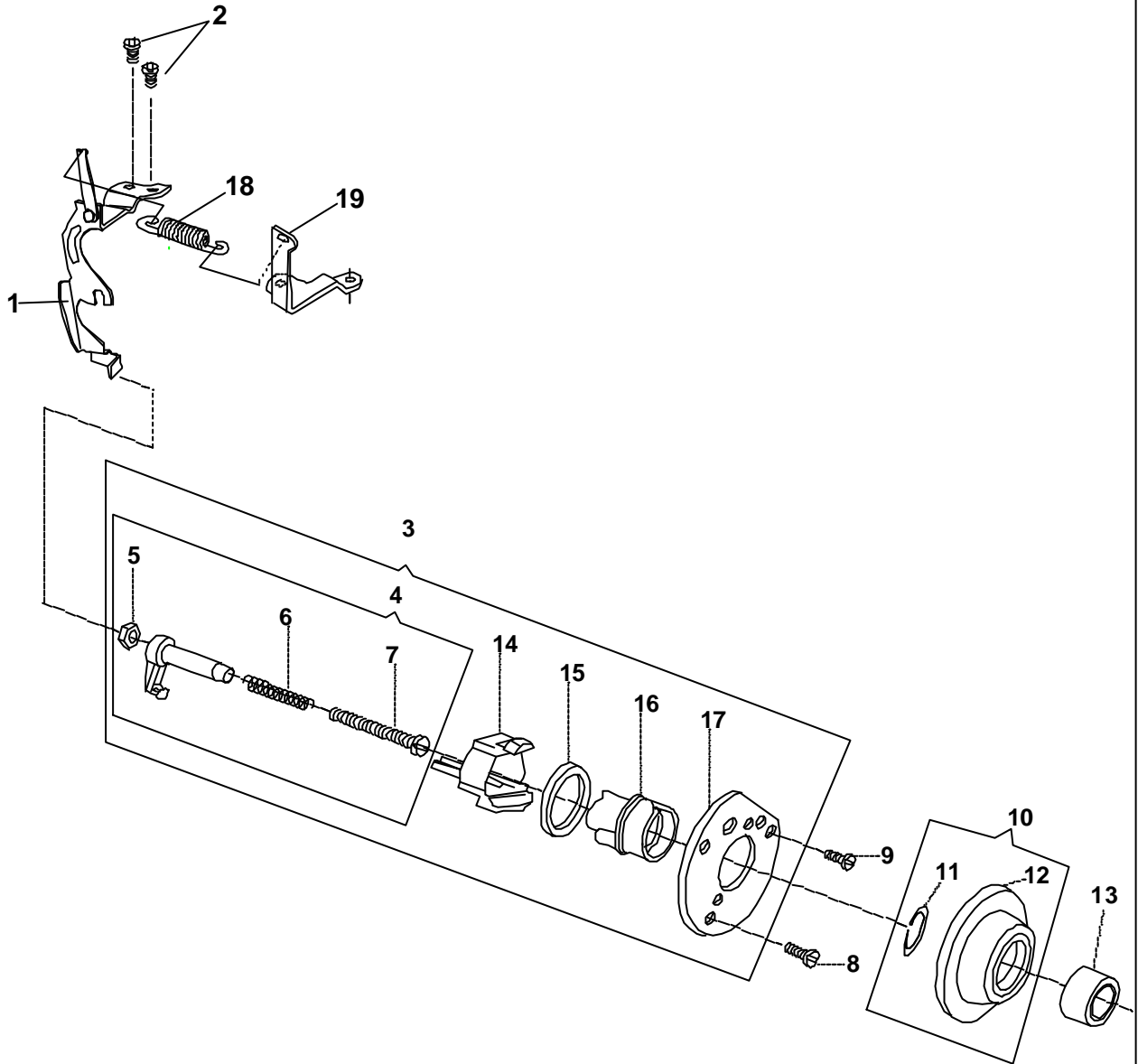


PATTERN SELECTOR

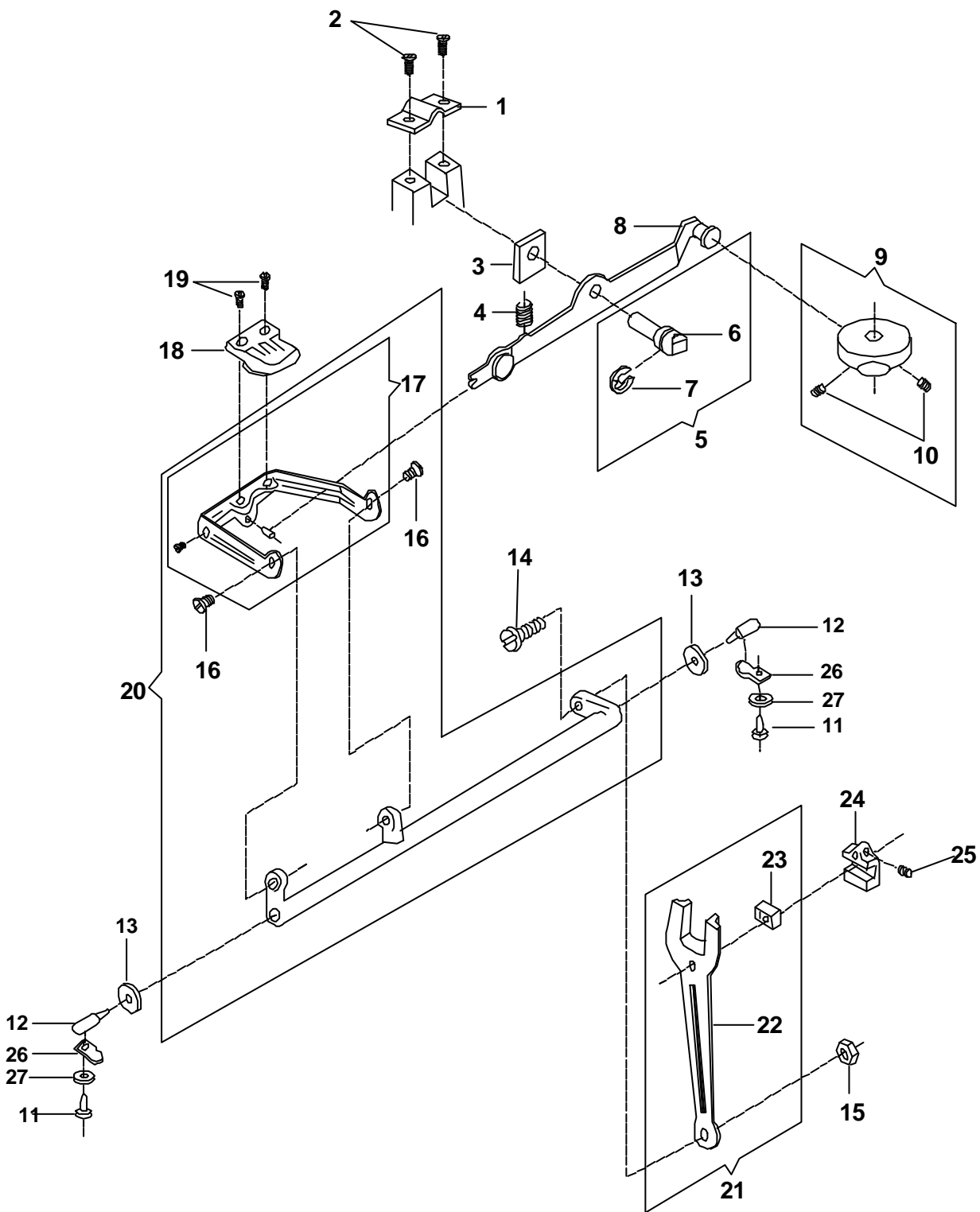




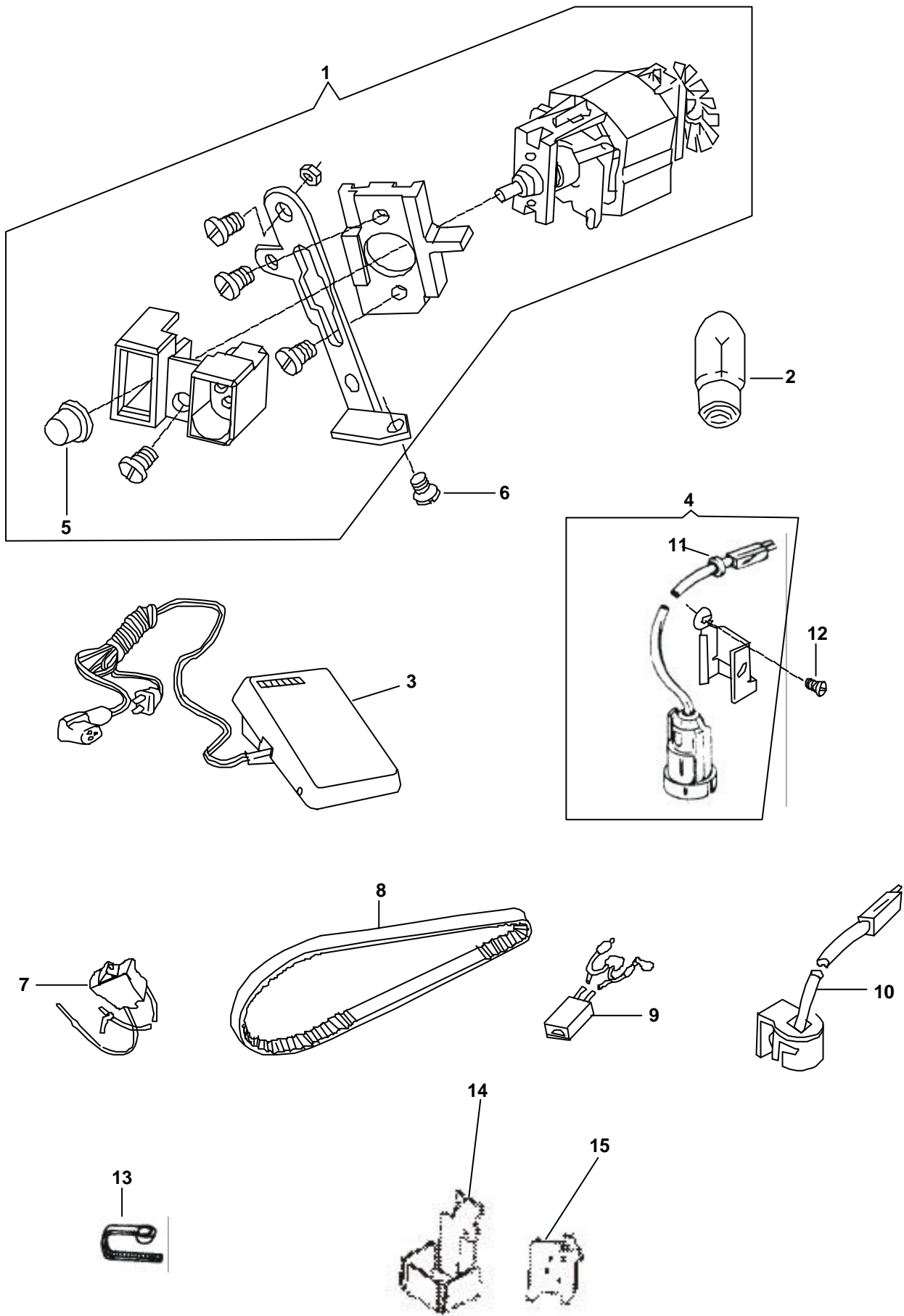
FEED REGULATOR CAM



FEED SYSTEM



REF.	PARTS NUMBER	DESCRIPTION	2808
1	446485-000	Feedliftingleverhingestud (eccentric) clamp	●
2	113455-001	Feedliftingleverhingestud (eccentric) clampscrew	●
3	179955-000	Feedliftingleverhingestud (eccentric) spacer	●
4	446249-000	Feedliftingleverspring	●
5	353479-000	Feedliftingleverhingestud (eccentric) assembly	●
6	353448-000	Feedliftingleverhingestud (eccentric)	●
7	353428-000	Feedliftingleverhingestud retainingring	●
8	356222-001	Feedliftingleverassembly	●
9	446228-000	Feedliftingcam(plastic)complete	●
10	544118-000	Feedliftingcamsetting screw	●
11	113455-001	Feedrockshaftcentersettingscrew	●
12	446487-000	Feedrockshaftcenter	●
13	353397-000BUY	Feedrockshaftcenternoisedampeningwasher	●
14	531623-451	Feedforkedconnectionhingescrew(eccentric)	●
15	53648-451BUY	Feedforkedconnection screw studnut	●
16	354939-451	Feedbarhingescrew	●
17	446205-000	Feedbarassembly	●
18	179891-000SDB	Feeddog	●
19	355235-451	Feeddogscrew	●
20	357651-000	Feedrockshaftcomplete	●
21	357641-000	Feedforkedconnectionwithslide block	●
22	357635-901	Feedforkedconnectionwithpin	●
23	44437-000	Feedforkedconnectionsliedblock	●
24	446244-000	Feedregulatorassembly	●
25	141925-833	Feedregulatorsetscrew	●
26	446484-000	Feedrockshaftcenterclamp(left & right)	●
27	353375-451	Feedrockshaftcentersupportingbracketscrewwasher	●



REF.	PARTS NUMBER	DESCRIPTION	2808
01	362180013	MOTOR COMPLETE - 110V NON REG.	●
01	362180014	MOTOR COMPLETE - 220V NON REG.	●
01	362180015	MOTOR COMPLETE - 220/240V - RUSSIA	●
01	362180016	MOTOR COMPLETE - 220/240V - EUROPA	●
02	988076001	LAMP(120V)	●
02	988076003	LAMP(220/250V)	●
03	362095002	CONTROLADOR 220V-EUROPA	●
03	362095006	CONTROLADOR 220V-NONREG.	●
03	362095007	CONTROLADOR 120V-NONREG.	●
03	362095022	CONTROLADOR 220V-RUSSIA	●
04	605488025	FAROLETE L9-EUROPA	●
04	362001007	FAROLETE L 15-NONREG	●
05	988761001	MOTOR PULLEY	●
06	113370451	MOTOR MOUNTING PLATESCREW(LOWER)	●
07	362307001	SWITCH COMPLETE	●
08	362307003	SWITCH COMPLETE	●
09	353518001	MOTOR BELT (V)	●
10	988764003	LIGHTCONNECTORHARNESS(USA/CAN)	●
10	988768003	LIGHTCONNECTORHARNESS(EUROPA)	●
10	988764005	LIGHTCONNECTORHARNESS(AMEDO)	●
11	179908000	LIGHT LEAD GROMMET	●
12	354592451	LIGHTSOCKETMOUNTINGSCREW	●
13	605600004	TYE RAP	●
14	605087001	HEAT SHIELD (EUROPA)	●
15	179901000	HEAT SHIELD (WITHOUT GRAPHICS)	●

SINGER®