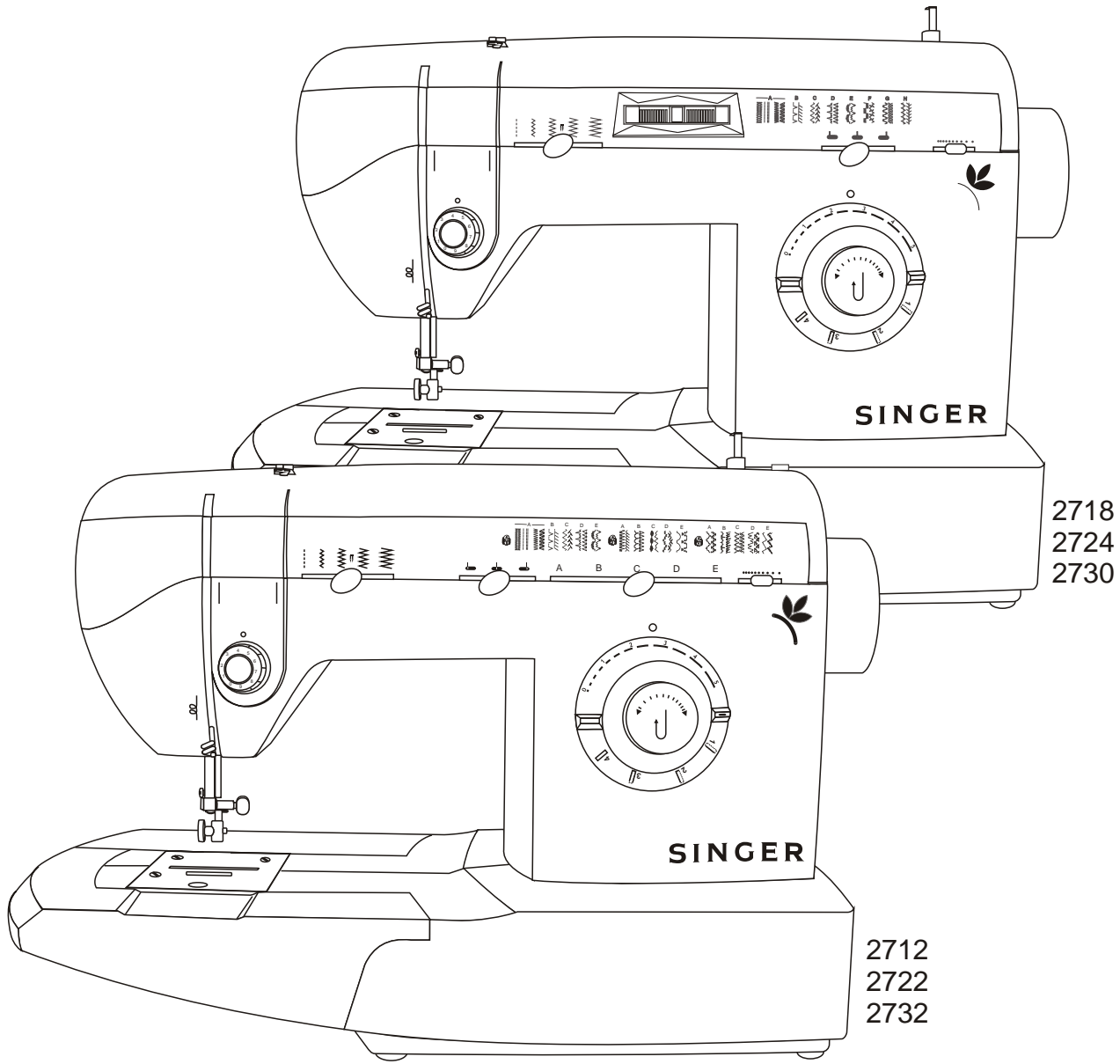


List of parts Sewing Machine Series

*2712 / 2722 / 2732
2718 / 2724 / 2730*



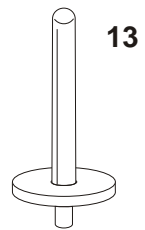
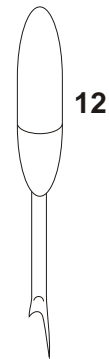
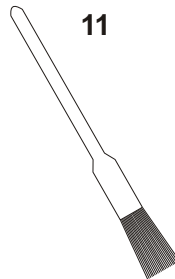
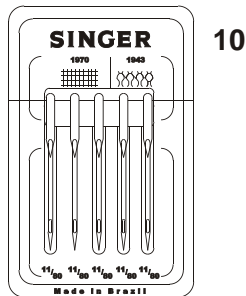
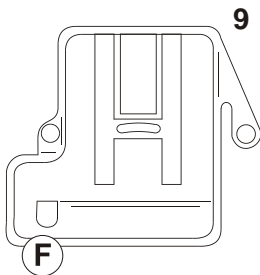
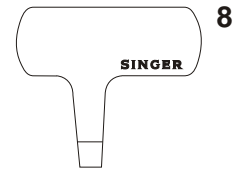
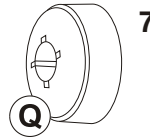
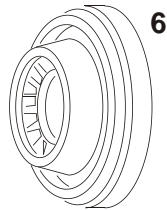
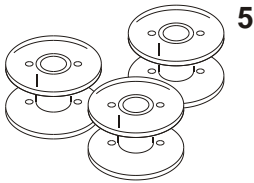
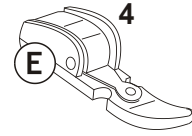
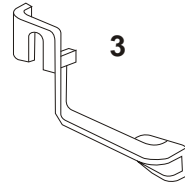
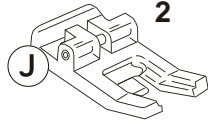
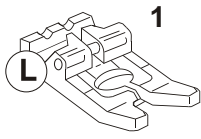
® A registered trademark of the "THE SINGER COMPANY LIMITED"



SUB ASSEMBLY DESCRIPTION	PAGE
<i>ATTACHMENT SET AND OPTIONAL ACCESSORIES</i>	04 / 05
<i>ARM / BED, THROAT PLATE AND BOBBIN VISOR</i>	06 / 07
<i>ARM, TOP COVER AND SHROUDER</i>	08 / 09
<i>FRONT COVER, REAR COVER AND PANEL</i>	10 / 11
<i>OTHER COVERS</i>	12 / 13
<i>NEEDLE BAR (For models 2712 / 2718 / 2722 / 2724)</i>	14 / 15
<i>NEEDLE BAR & AUTOMATIC NEEDLE THREADER (For models 2730 / 2732)</i>	16 to 19
<i>PRESSER BAR</i>	20 / 21
<i>ARM SHAFT DRIVE</i>	22 / 23
<i>HAND WHEEL</i>	24 / 25
<i>TENSION MECHANISM</i>	26 / 27
<i>HOOK SYSTEM</i>	28 / 29
<i>BIGHT AMPLITUDE</i>	30 / 31
<i>NEEDLE POSITION (For models 2718 / 2724 / 2730)</i>	32 / 33
<i>NEEDLE POSITION (For models 2712 / 2722 / 2732)</i>	34 / 35
<i>PATTERN SELECTOR (For models 2718 / 2724 / 2730)</i>	36 / 37
<i>PATTERN SELECTOR (For models 2712 / 2722 / 2732)</i>	38 / 39
<i>CAM STACK (For models 2718 / 2724 / 2730)</i>	40 / 41
<i>CAM STACK (For models 2712 / 2722 / 2732)</i>	42 / 43
<i>BUTTONHOLER & FEED REGULATOR CAM</i>	44 / 45
<i>CAM CONTROLLED FEED</i>	46 / 47
<i>FEED SYSTEM (For models 2712 / 2718)</i>	48 / 49
<i>FEED SYSTEM (For models 2722 / 2724 / 2730 / 2732)</i>	50 to 53
<i>ELECTRICAL EQUIPMENT</i>	54 / 55

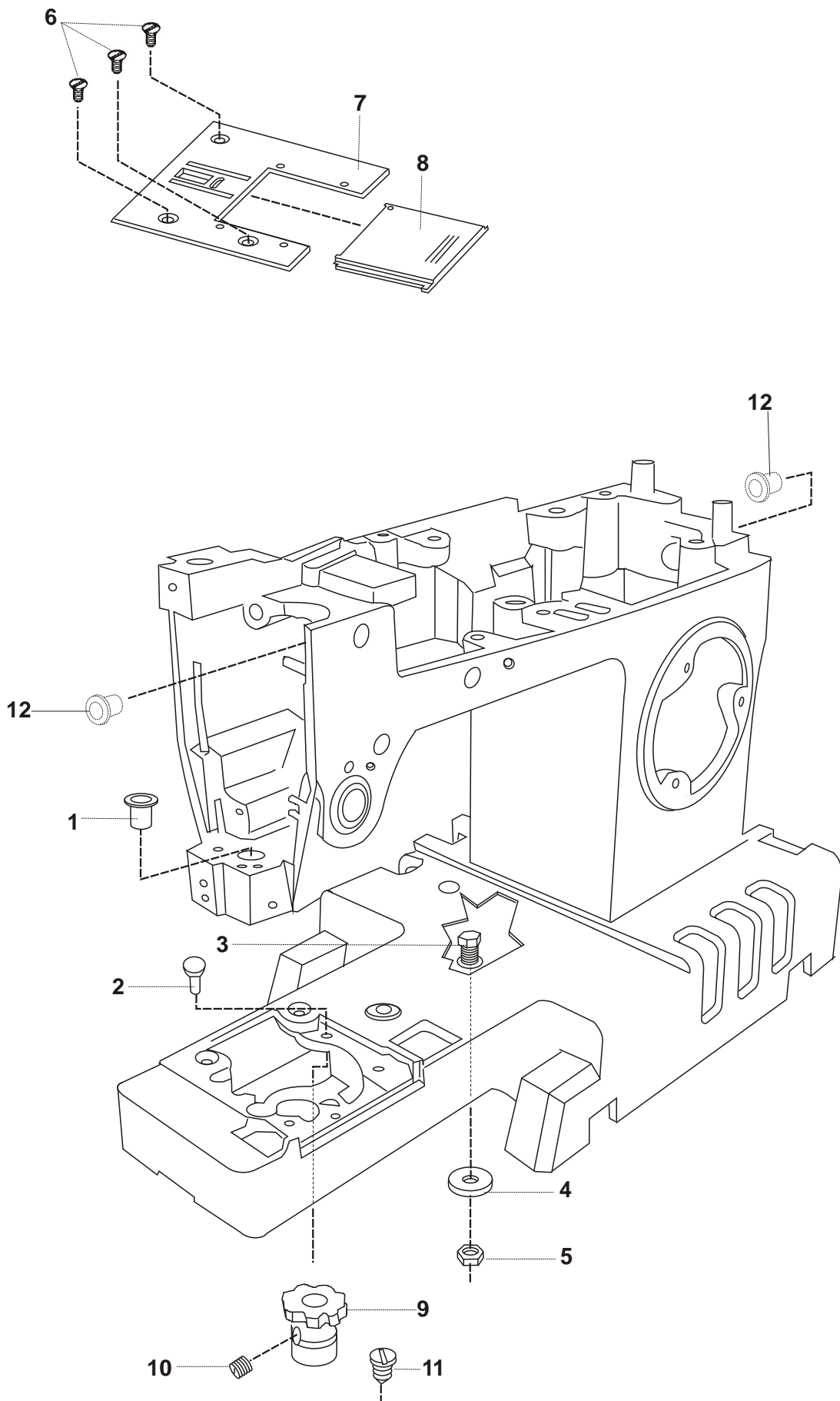
ATTACHMENT SET

14



REF.	PARTS NUMBER	DESCRIPTION	2712	2722	2732	2718	2724	2730
1	137632	Special purpose presser foot plate (snap-on)	●	●	●	●	●	●
2	161927-002	Presser foot plate (snap-on) for sewing buttonholes	●	●	●	●	●	●
3	381213	Blind stitch guide	●	●	●	●	●	●
4	507836	Zipper presser foot	●	●	●	●	●	●
5	172336-001	Bobbin (plastic)	●	●	●	●	●	●
6	179967-461	Arm top cover spool pin thread lead-off	●	●	●	●	●	●
7	507664-467	Arm top cover spool pin thread lead-off (small plastic)	●	●	●	●	●	●
8	357306-000	Screw driver	●	●	●	●	●	●
9	313117-000	Feed cover plate(plastic)	●			●		
10	353364-000	Needle pack (includes 1 each N2020 size 11/14/16 and N2045 size 11/14)	●	●	●	●	●	●
11	546358-453	Lint brush	●	●	●	●	●	●
12	546357-452	Seam ripper	●	●	●	●	●	●
13	444813-454	Spool pin for twin needle	●	●	●	●	●	●
14	359064-001	Attachment set complete	●			●		
14	359064-002	Attachment set complete		●	●		●	●

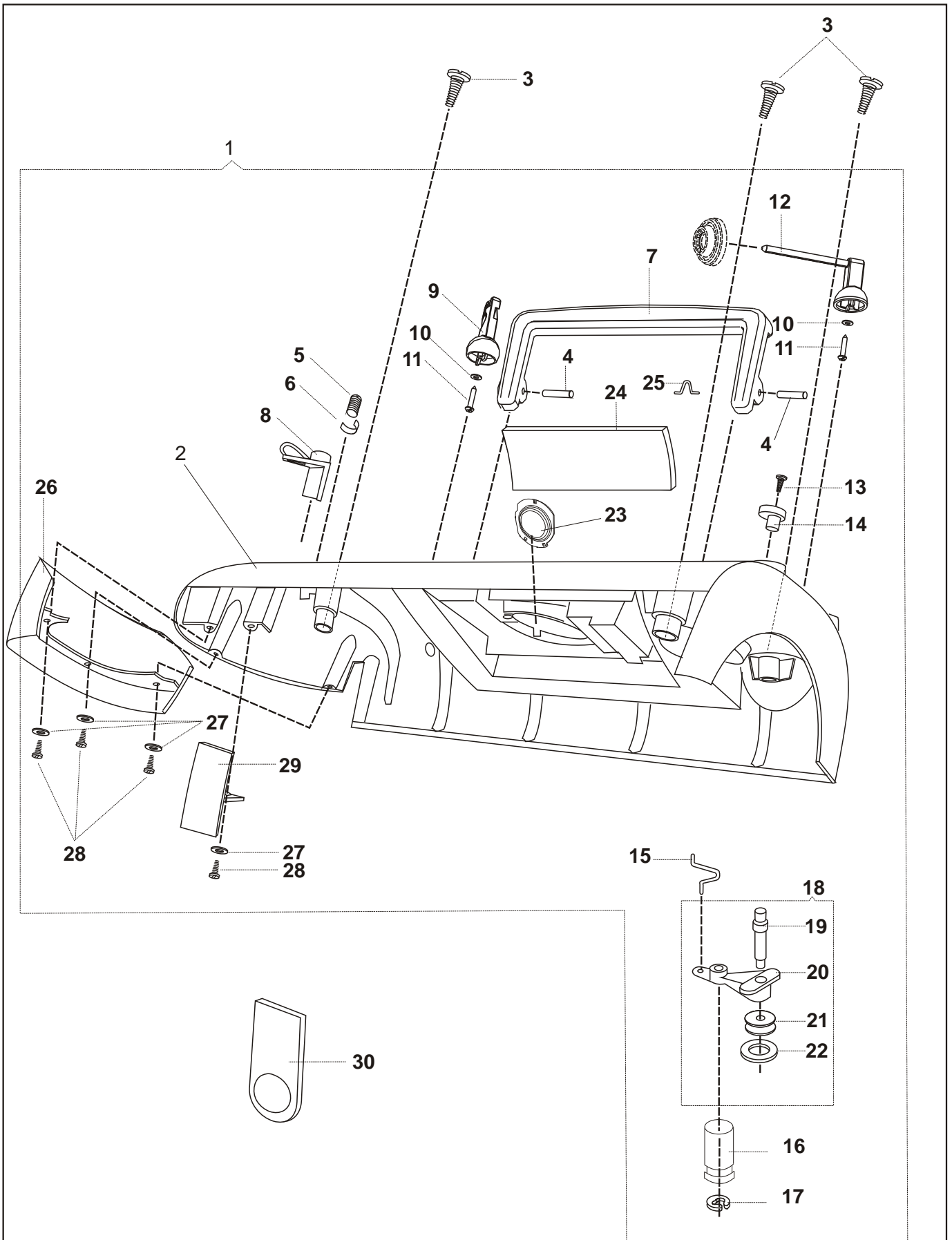
ARM / BED, THROAT PLATE AND BOBBIN VISOR



ARM / BED, THROAT PLATE AND BOBBIN VISOR

REF.	PARTS NUMBER	DESCRIPTION	2712	2722	2732	2718	2724	2730
1	317290	Needle bar ball bushing socket	•	•		•	•	
1	359036-900	Needle bar ball bushing socket			•			•
2	357349-451	Rotating hook bobbin case retaining plate stud	•	•	•	•	•	•
3	355250-451	Bed bottom cover & gabinet bolt screw	•	•	•	•	•	•
4	353375-451	Bed bottom cover & gabinet bolt washer	•	•	•	•	•	•
5	514608-000	Bed bottom cover & gabinet bolt nut	•	•	•	•	•	•
6	358177-451	Throat plate set screw	•	•	•	•	•	•
7	359029-900	Throat plate for zig-zag sewing	•	•	•	•	•	•
8	359015-900	Rotating hook bobbin visor	•	•	•	•	•	•
9	353410-900	Rotating hook bushing	•	•	•	•	•	•
10	141925-833	Rotating hook bushing set screw	•	•	•	•	•	•
11	139943-803	Rotating hook bushing adjusting screw	•	•	•	•	•	•
12	359041-901	Arm shaft bushing(horizontal)	•	•	•	•	•	•

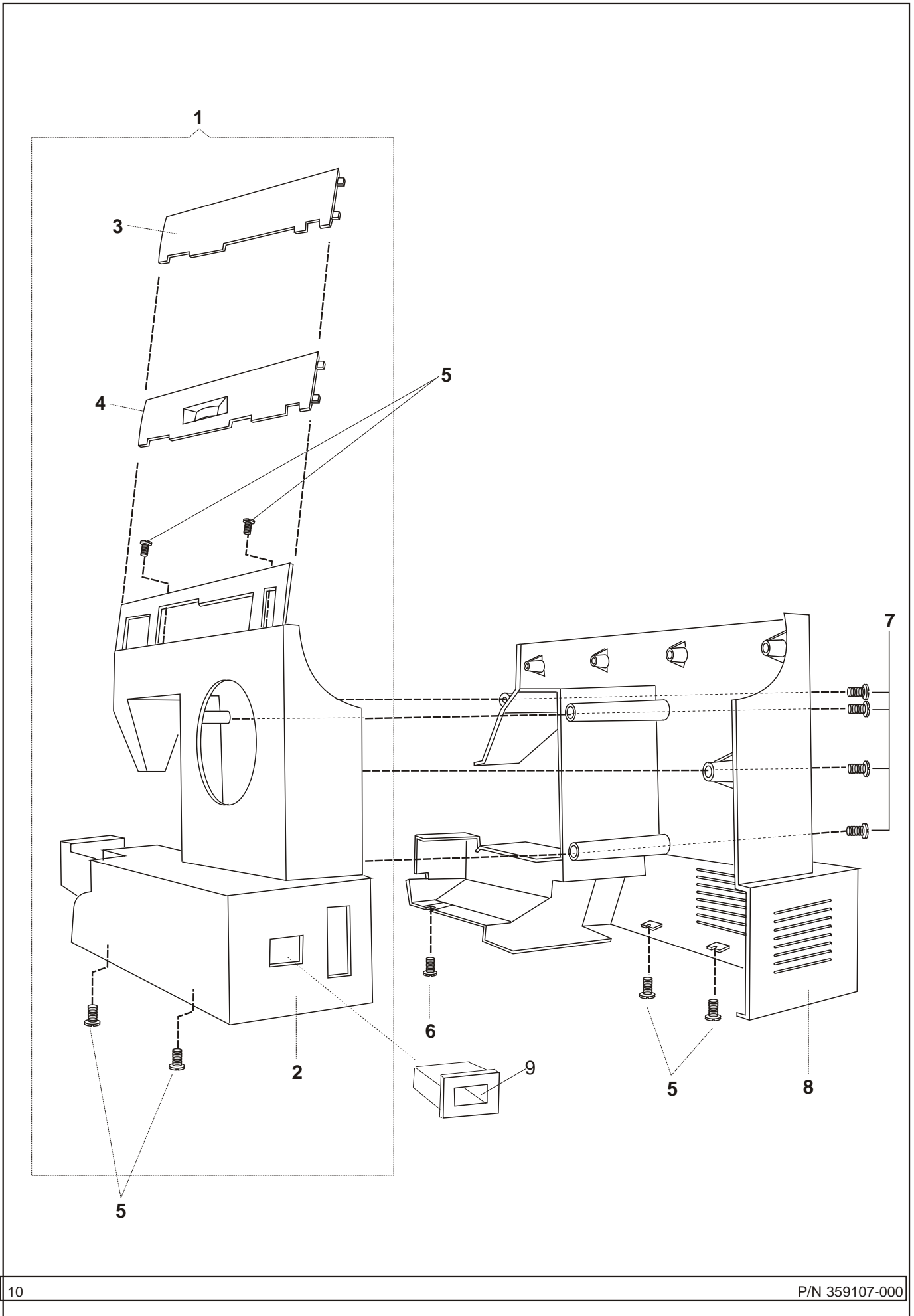
ARM TOP COVER AND SHROUDER



ARM TOP COVER AND SHROUDER

REF.	PARTS NUMBER	DESCRIPTION	2712	2722	2732	2718	2724	2730
1	359096-001	Arm top cover complete	●			●	●	●
1	359086-001	Arm top cover complete		●	●			
2	359085-452	Arm top cover with graphics	●	●	●	●	●	●
3	354895-453	Arm top cover screw	●	●	●	●	●	●
4	357325-900	Arm top cover machine handle articulating pin	●	●	●	●	●	●
5	113378-451	Bobbin winder tension bracket adjusting screw	●	●	●	●	●	●
6	44794	Bobbin winder tension bracket adjusting screw retaining clip	●	●	●	●	●	●
7	359014-900	Machine handle	●	●	●	●	●	●
8	44368	Bobbin winder tension complete	●	●	●	●	●	●
9	357705-900	Arm top cover thread guide	●	●	●	●	●	●
10	446138	Arm top cover thread guide & spool pin mounting screw washer	●	●	●	●	●	●
11	356116-451	Arm top cover thread guide & spool pin mounting screw	●	●	●	●	●	●
12	357704-900	Arm top cover horizontal spool pin	●	●	●	●	●	●
13	141920-453	Bobbin winder stop screw	●	●	●	●	●	●
14	357718-900	Bobbin winder stop (plastic)	●	●	●	●	●	●
15	531766-000	Bobbin winder spring	●	●	●	●	●	●
16	531759-900	Bobbin winder articulating pin	●	●	●	●	●	●
17	445486	Bobbin winder retaining ring	●	●	●	●	●	●
18	531767-452	Bobbin winder assembly	●	●	●	●	●	●
19	357081-452	Bobbin winder spindle complete	●	●	●	●	●	●
20	357082-452	Bobbin winder frame	●	●	●	●	●	●
21	44440-001	Bobbin winder pulley	●	●	●	●	●	●
22	15287-701	Bobbin winder pulley friction ring (rubber)	●	●	●	●	●	●
23	359058-900	Arm top cover receptacle bottom cover	●			●	●	●
24	359008-451	Disk stack lid		●	●			
24	359008-900	Disk stack lid	●			●	●	●
25	357002-000	Disk stack lid spring	●	●	●	●	●	●
26	359084-900	Face plate panel	●	●	●	●	●	●
27	446138-000	Face plate panel screw washer	●	●	●	●	●	●
28	356116-451	Face plate panel screw	●	●	●	●	●	●
29	359090-900	Arm top cover shrouder panel	●	●	●	●	●	●
30	359094-001	Arm top cover shrouder complete	●	●	●	●	●	●

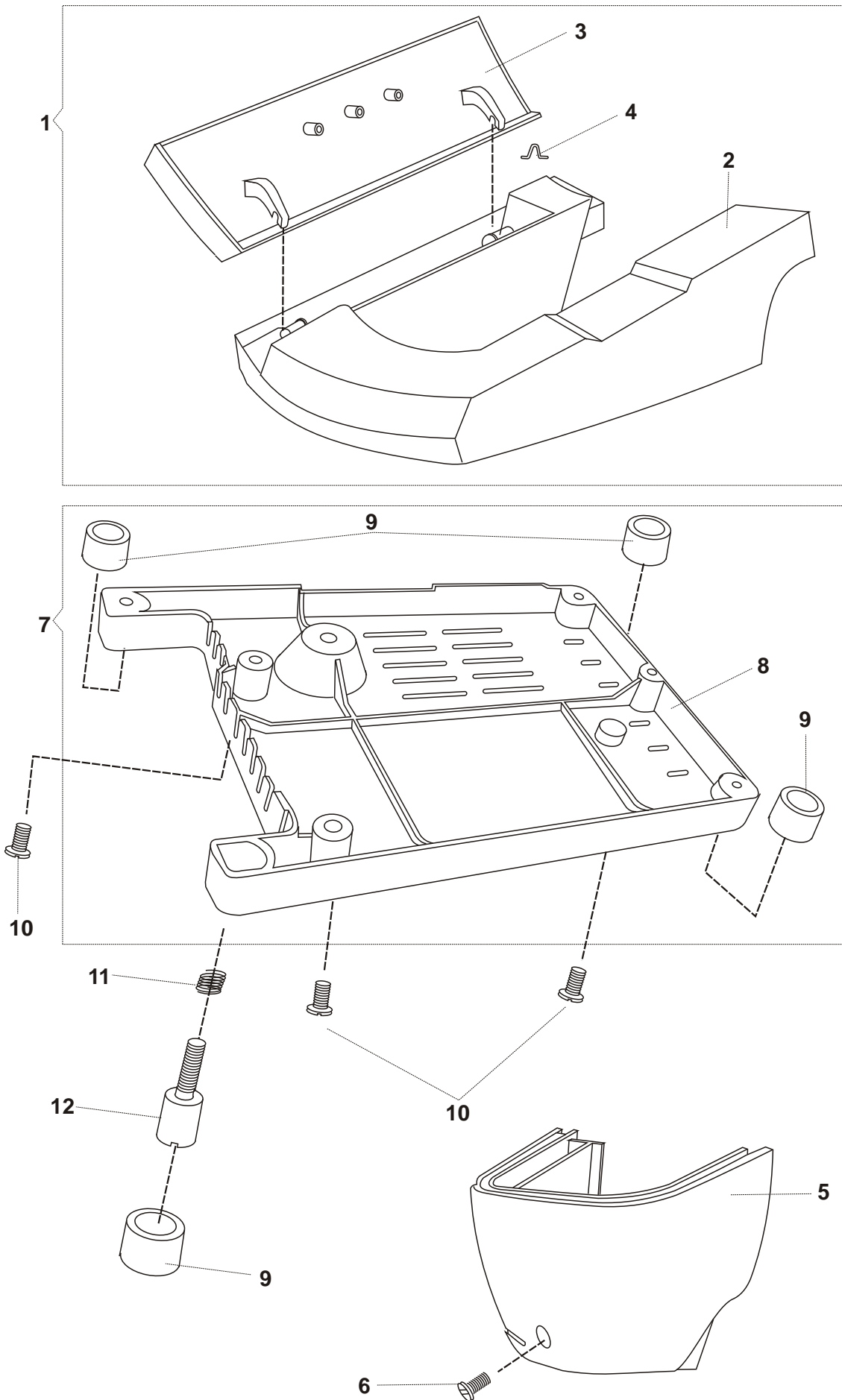
FRONT COVER, REAR COVER AND PANEL



FRONT COVER, REAR COVER AND PANEL

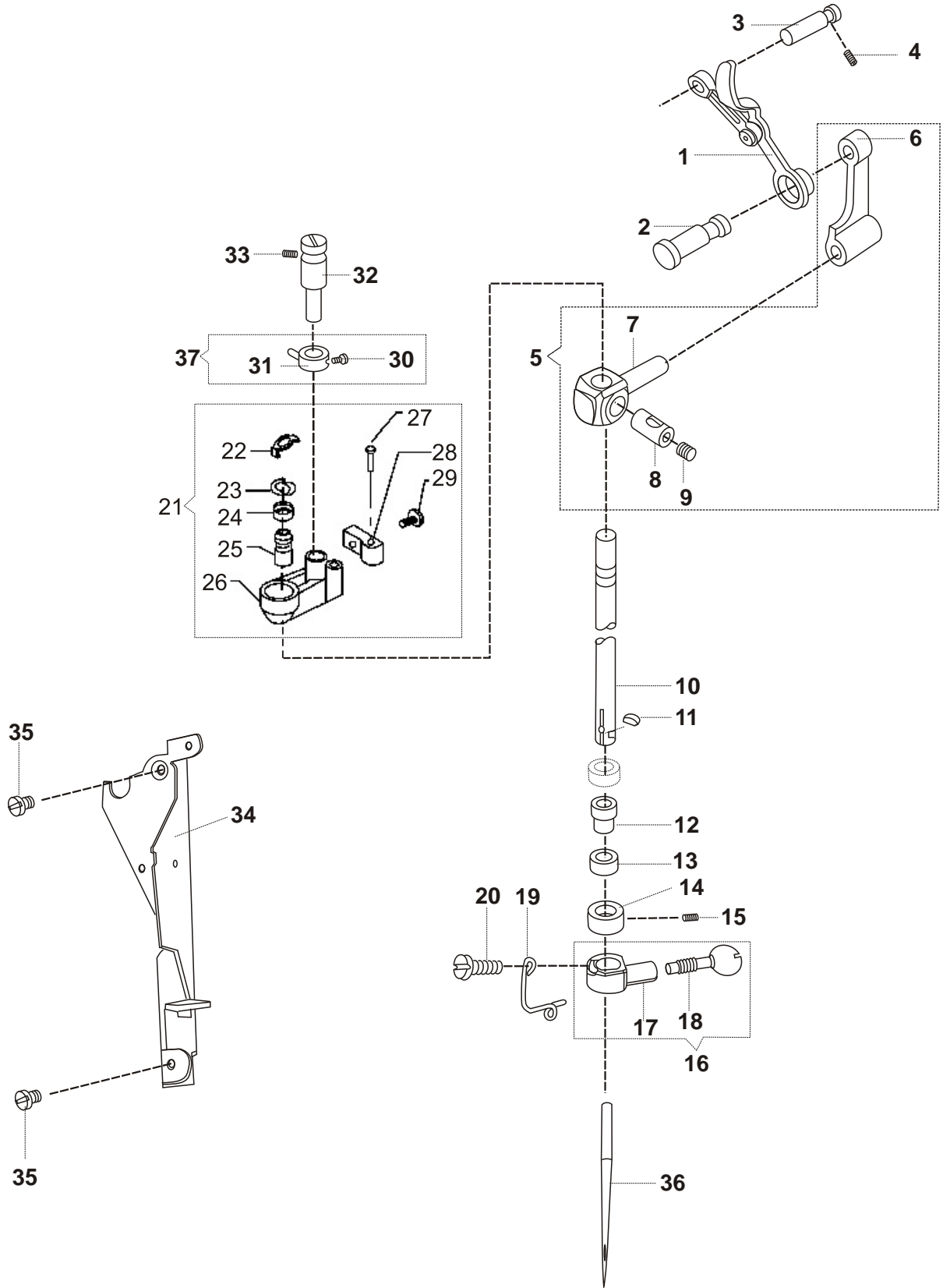
REF.	PARTS NUMBER	DESCRIPTION	2712	2722	2732	2718	2724	2730
1	359077-001	Front cover complete	●					
1	359077-002	Front cover complete		●				
1	359077-003	Front cover complete			●			
1	359097-001	Front cover complete				●		
1	359097-002	Front cover complete					●	
1	359097-003	Front cover complete						●
2	359002-451	Front cover with graphics	●			●		
2	359002-452	Front cover with graphics		●	●		●	●
3	359087-451	Front cover control panel with graphics	●					
3	359087-452	Front cover control panel with graphics		●				
3	359087-453	Front cover control panel with graphics			●			
4	359088-451	Front cover control panel with graphics				●		
4	359088-452	Front cover control panel with graphics					●	
4	359088-453	Front cover control panel with graphics						●
5	354552-451	Front & rear cover setting screw	●	●	●	●	●	●
6	354895-453	Front & rear cover bottom fastening screw	●	●	●	●	●	●
7	355263-451	Front / rear cover mounting screw	●	●	●	●	●	●
8	359003-900	Rear cover	●	●	●	●	●	●
9	130598	Motor switch support	●	●	●	●	●	●

OTHER COVERS



REF.	PARTS NUMBER	DESCRIPTION	2712	2722	2732	2718	2724	2730
1	359053-000	Bed extension plate complete	●	●	●	●	●	●
2	359005-900	Bed extension plate	●	●	●	●	●	●
3	359055-000	Bed extension plate lid assembly	●	●	●	●	●	●
4	357002-001	Bed extension plate lid spring	●	●	●	●	●	●
5	359095-001	Face plate complete	●	●	●	●	●	●
6	354133-452	Face plate screw	●	●	●	●	●	●
7	359054-000	Bed bottom cover with cushion	●	●	●	●	●	●
8	359011-900	Bed bottom cover (plastic)	●	●	●	●	●	●
9	357797-451	Bed bottom cover cushion	●	●	●	●	●	●
10	354552-451	Bed bottom cover screw	●	●	●	●	●	●
11	359057-900	Bed cushion regulating screw spring	●	●	●	●	●	●
12	359056-900	Bed cushion regulating screw	●	●	●	●	●	●

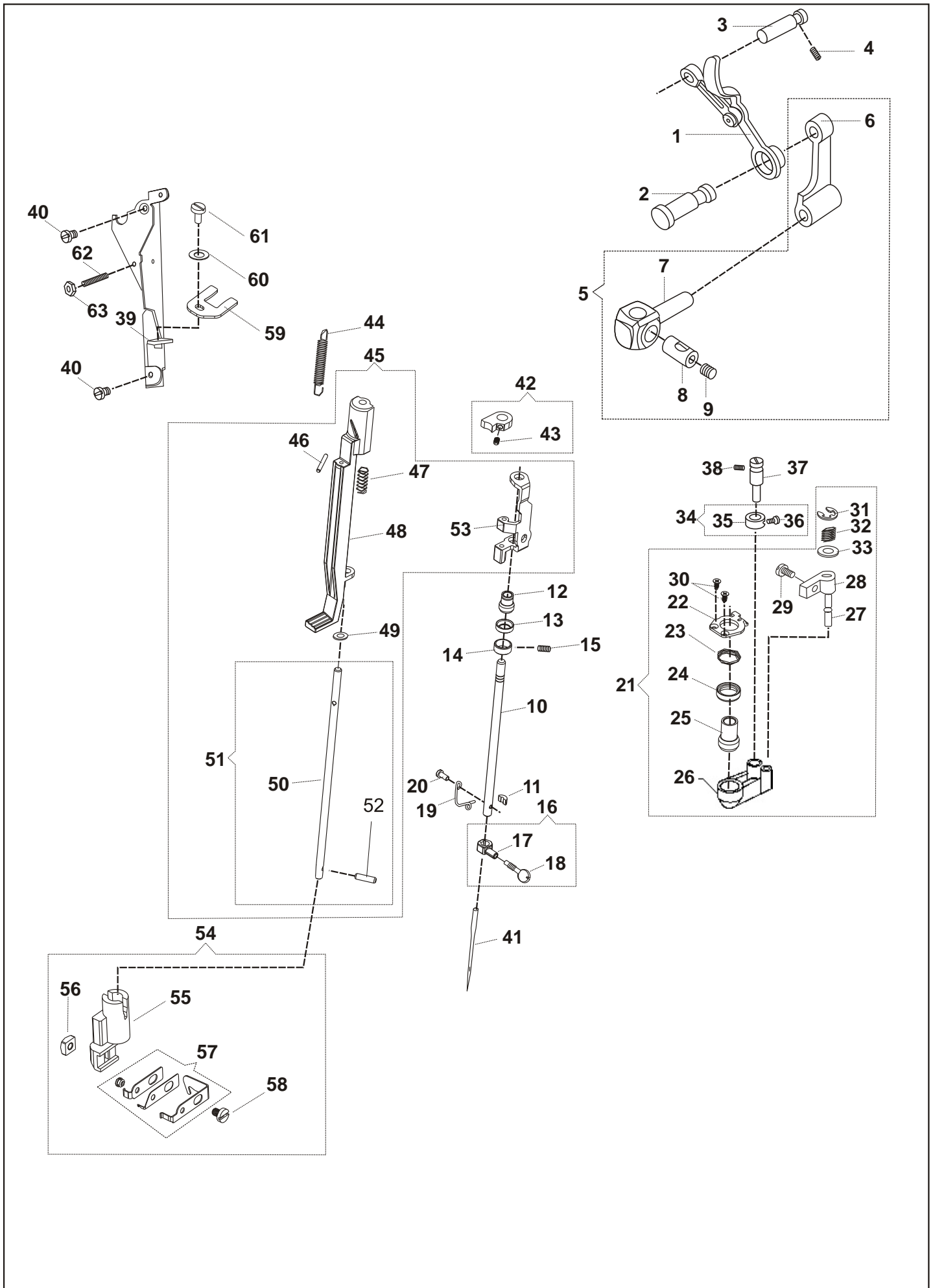
NEEDLE BAR (For models 2712 / 2718 / 2722 / 2724)



NEEDLE BAR (For models 2712 / 2718 / 2722 / 2724)

REF.	PARTS NUMBER	DESCRIPTION	2712	2722	2718	2724
1	445672	Thread take-up lever complete	●	●	●	●
2	445599	Thread take-up stud	●	●	●	●
3	446169	Thread take-up lever link hinge stud	●	●	●	●
4	141803	Thread take-up lever link hinge stud screw	●	●	●	●
5	446357-452	Needle bar link complete	●	●	●	●
6	446357-901	Needle bar link	●	●	●	●
7	445865	Needle bar connecting stud	●	●	●	●
8	37931	Needle bar connecting stud hinge pin	●	●	●	●
9	141916-833	Needle bar clamping screw	●	●	●	●
10	37926	Needle bar	●	●	●	●
11	313552	Needle bar gib	●	●	●	●
12	37927-003	Needle bar ball bushing (lower)	●	●	●	●
13	507379-001	Needle bar ball bushing (lower) socket	●	●	●	●
14	317431	Needle bar ball bushing (lower) adjusting collar	●	●	●	●
15	141938-833	Needle bar bushing adjusting collar screw	●	●	●	●
16	445790	Needle clamp complete(with screw)	●	●	●	●
17	445815	Needle clamp body	●	●	●	●
18	141942-451	Needle thumb screw	●	●	●	●
19	445756	Needle clamp thread guide	●	●	●	●
20	141808-451	Needle clamp body, thread guide and stop screw	●	●	●	●
21	353520	Needle bar vibrating bracket complete	●	●	●	●
22	353522	Needle bar ball bushing (upper) retainer	●	●	●	●
23	353424	Needle bar ball bushing (upper) socket spring washer	●	●	●	●
24	507379-000	Needle bar ball bushing (upper) socket	●	●	●	●
25	37927-003	Needle bar ball bushing (upper)	●	●	●	●
26	353521	Needle bar vibrating bracket	●	●	●	●
27	37935	Needle bar vibrating bracket hinge pin	●	●	●	●
28	37934	Needle bar driving arm hinge bracket	●	●	●	●
29	141844-819	Needle bar driving arm hinge bracket screw	●	●	●	●
30	354592-451	Needle bar vibrating bracket hinge pin collar screw	●	●	●	●
31	445405-901	Needle bar vibrating bracket hinge pin collar	●	●	●	●
32	445124	Needle bar vibrating bracket hinge pin	●	●	●	●
33	354813-451	Needle bar vibrating bracket hinge pin screw	●	●	●	●
34	359027-900	Face plate lamp mounting bracket	●	●	●	●
35	354826-451	Face plate lamp mounting bracket screw	●	●	●	●
36	CAT2045-014	Needle 2045 size No.14	●	●	●	●
37	445406	Needle bar vibrating bracket hinge pin collar complete	●	●	●	●

NEEDLE BAR & AUTOMATIC NEEDLE THREADER (For models 2730 / 2732)



NEEDLE BAR & AUTOMATIC NEEDLE THREADER (For models 2730 / 2732)

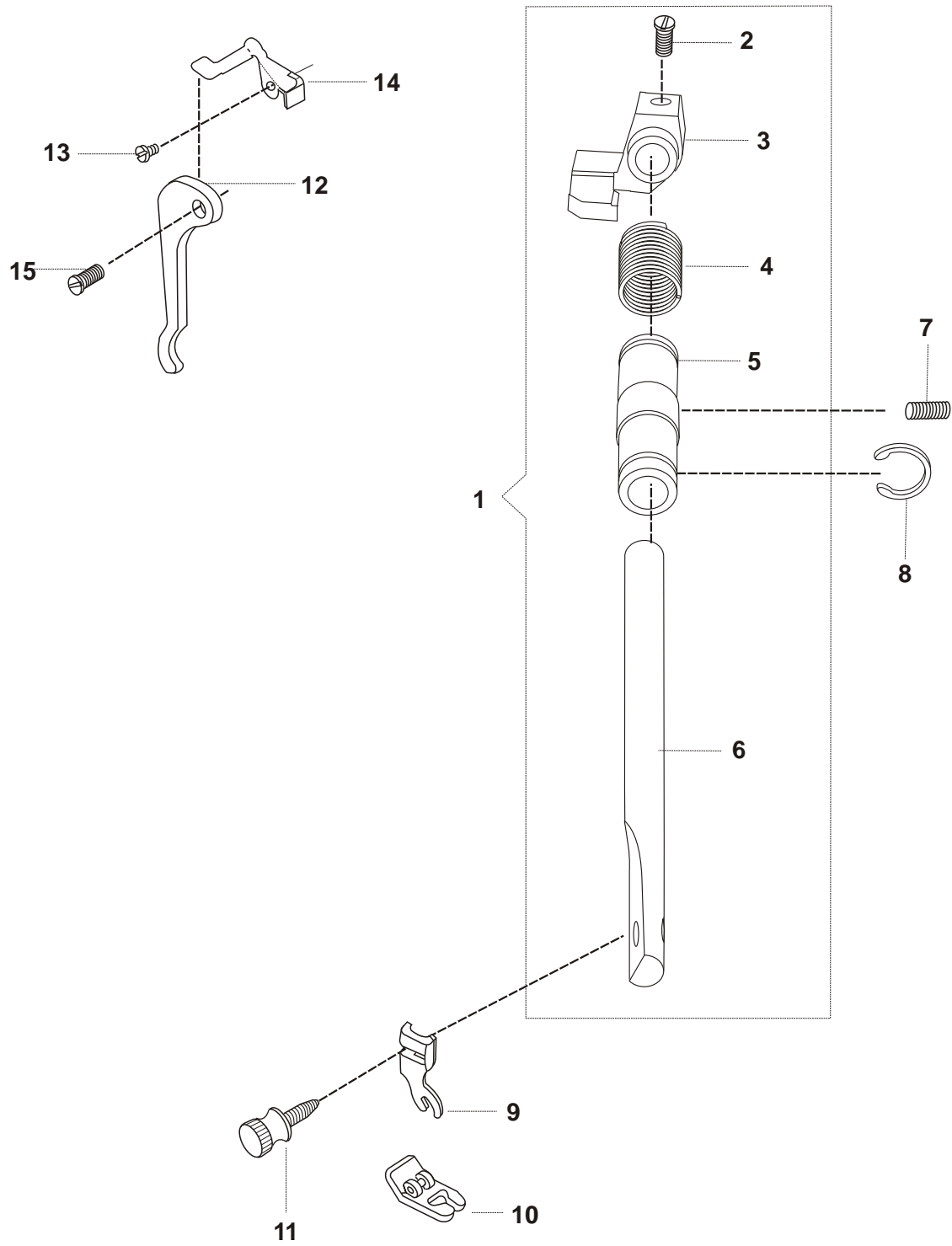
REF.	PARTS NUMBER	DESCRIPTION	2730	2732
1	445672	Thread take-up lever complete	●	●
2	445599	Thread take-up stud	●	●
3	446169	Thread take-up lever link hinge stud	●	●
4	141803	Thread take-up lever link hinge stud screw	●	●
5	446357-452	Needle bar link complete	●	●
6	446357-901	Needle bar link	●	●
7	445865	Needle bar connecting stud	●	●
8	37931	Needle bar connecting stud hinge pin	●	●
9	141916-833	Needle bar clamping screw	●	●
10	357866-900	Needle bar	●	●
11	313552	Needle bar gib	●	●
12	357899-901	Needle bar ball bushing	●	●
13	507379-001	Needle bar ball bushing socket	●	●
14	317431	Needle bar ball bushing (lower) adjusting collar	●	●
15	141938-833	Needle bar ball bushing adjusting collar screw	●	●
16	445790	Needle clamp complete with screw	●	●
17	445815	Needle clamp body	●	●
18	141942-451	Needle thumb screw	●	●
19	445756	Needle clamp thread guide	●	●
20	141808-451	Needle clamp body, thread guide and stop screw	●	●
21	358049-001	Needle bar vibrating bracket complete	●	●
22	357871-900	Vibrating bracket cover	●	●
23	357911-900	Vibrating bracket cover spring	●	●
24	357615-000	Needle bar ball bushing (upper) socket	●	●
25	357897-900	Needle bar ball bushing (upper)	●	●
26	353521-000	Needle bar vibrating bracket	●	●
27	357502-001	Needle bar driving arm hinge bracket hinge pin	●	●
28	357503-000	Needle bar driving arm hinge bracket	●	●
29	141844-819	Needle bar vibrating bracket screw	●	●
30	357925-900	Vibrating bracket cover screw	●	●
31	179926-451	Needle bar driving arm hinge bracket spring retaining ring	●	●
32	357504-000	Needle bar driving arm hinge bracket spring	●	●
33	446138-000	Needle bar driving arm hinge bracket spring washer	●	●



NEEDLE BAR & AUTOMATIC NEEDLE THREADER (For models 2730 / 2732)

REF.	PARTS NUMBER	DESCRIPTION	2730	2732
34	359035-000	Needle bar vibrating bracket hinge pin collar assembly	●	●
35	359038-901	Needle bar vibrating bracket hinge pin collar	●	●
36	354592-451	Needle bar vibrating bracket hinge pin collar screw	●	●
37	445124	Needle bar vibrating bracket hinge pin	●	●
38	354813-451	Needle bar vibrating bracket hinge pin screw	●	●
39	359027-900	Face plate and lamp mounting bracket	●	●
40	354826-451	Face plate and lamp mounting bracket screw	●	●
41	CAT2045-014	Needle 2045 size No.14	●	●
42	358053-000	Needle threader stop assembly	●	●
43	357921-900	Needle threader stop screw	●	●
44	357913-900	Needle threader actuating support spring	●	●
45	358046-001	Needle threader mechanism support assembly	●	●
46	357869-900	Needle threader actuating pin	●	●
47	357912-900	Needle threader actuating cam spring	●	●
48	357872-900	Needle threader actuating support	●	●
49	357920-900	Rubber ring	●	●
50	357865-900	Needle threader shaft	●	●
51	358047-000	Needle threader shaft assembly	●	●
52	357868-900	Needle threader mechanism support	●	●
53	357870-900	Needle threader assembly support driving pin	●	●
54	358071-000	Needle threader assembly support complete	●	●
55	357873-900	Needle threader assembly support	●	●
56	357923-900	Needle threader set screw nut	●	●
57	358070-000	Needle threader hook assembly	●	●
58	357922-900	Needle threader set screw	●	●
59	358091-900	Needle threader support guide plate	●	●
60	358162-000	Needle threader support guide plate washer	●	●
61	354826-451	Needle threader support guide plate screw	●	●
62	359040-451	Needle bar limiter stop screw	●	●
63	618638-005	Needle bar limiter stop screw nut	●	●

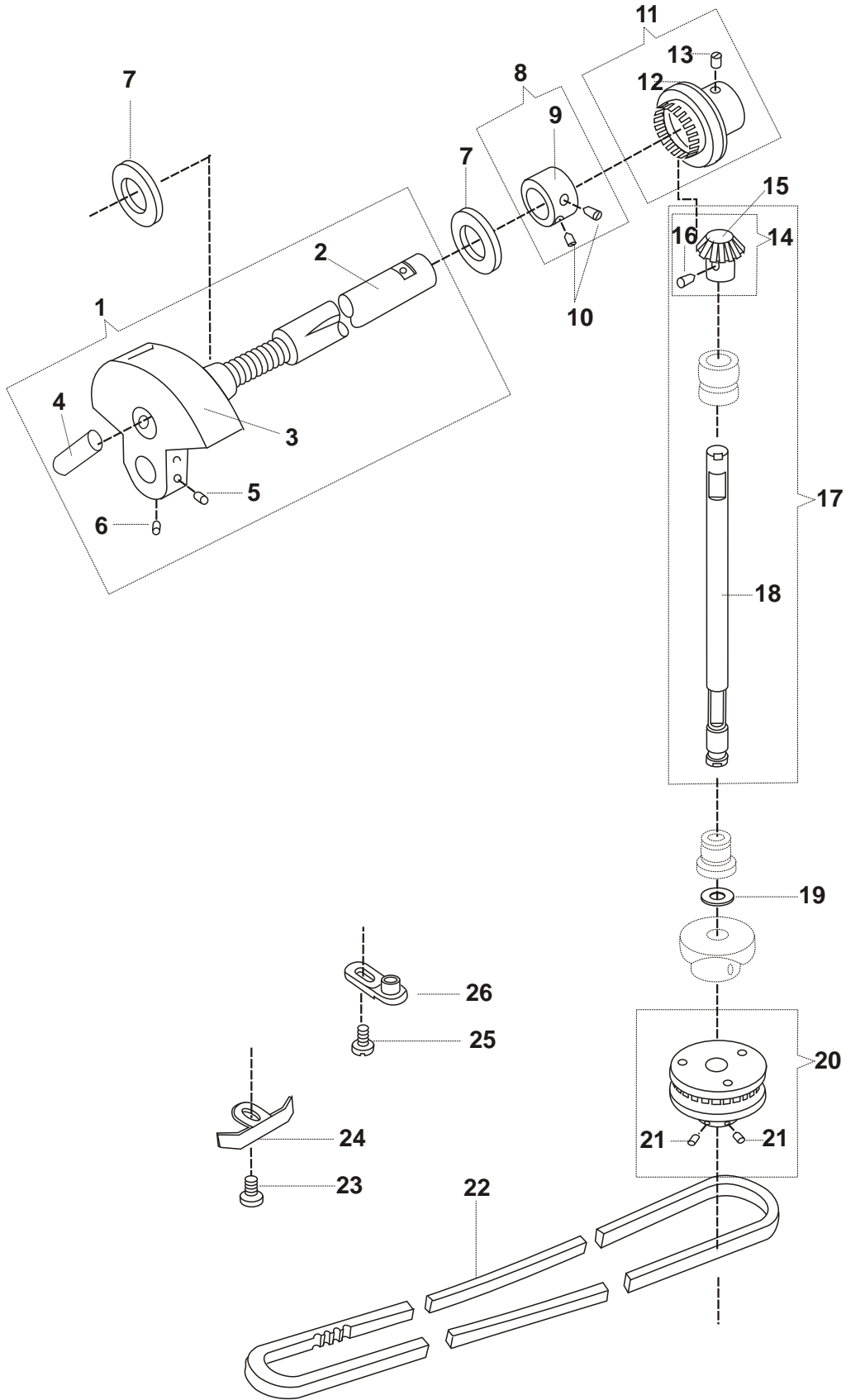
PRESSER BAR



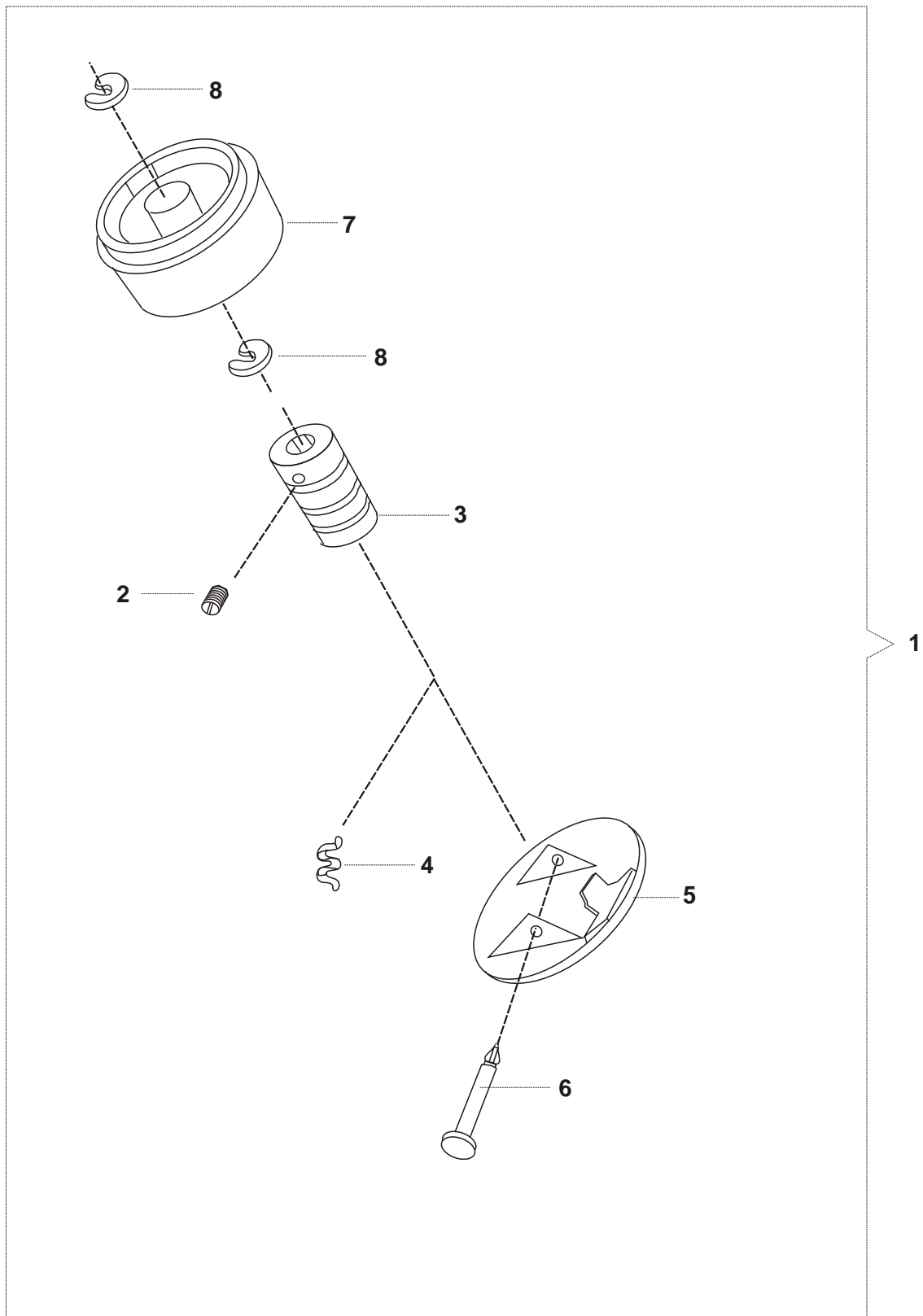
PRESSER BAR

REF.	PARTS NUMBER	DESCRIPTION	2712	2722	2732	2718	2724	2730
1	446147	Presser bar complete	●	●	●	●	●	●
2	141925-833	Presser bar guide bracket set screw	●	●	●	●	●	●
3	445949-901	Presser bar guide bracket	●	●	●	●	●	●
4	446146	Presser bar spring	●	●	●	●	●	●
5	445947	Presser bar bushing	●	●	●	●	●	●
6	445946	Presser bar	●	●	●	●	●	●
7	141803	Presser bar bushing set screw	●	●	●	●	●	●
8	445948	Presser bar bushing locating ring	●	●	●	●	●	●
9	155964	Presser foot shank (snap-on)	●	●	●	●	●	●
10	137627	Presser foot (snap-on) complete for zig-zag sewing	●	●	●	●	●	●
11	113531-451	Presser foot thumb screw	●	●	●	●	●	●
12	356170-451	Presser bar lifter	●	●	●	●	●	●
13	354543-451	Tension releasing lever screw	●	●	●	●	●	●
14	445925	Tension releasing lever	●	●	●	●	●	●
15	354860-451	Presser bar lifter screw	●	●	●	●	●	●

ARM SHAFT DRIVE

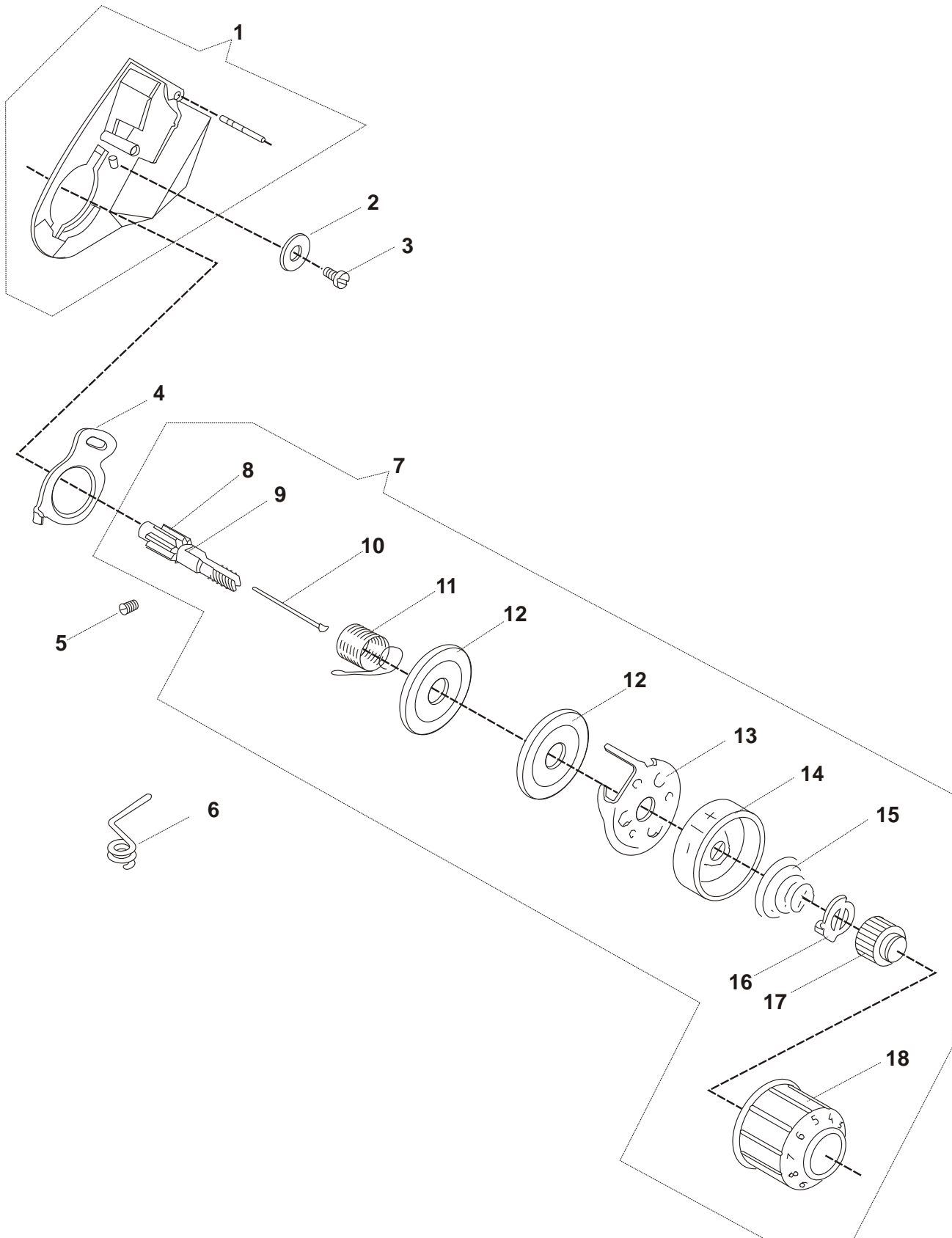


REF.	PARTS NUMBER	DESCRIPTION	2712	2722	2732	2718	2724	2730
1	359042-000	Arm shaft complete	●	●	●	●	●	●
2	359032-900	Arm shaft (horizontal)	●	●	●	●	●	●
3	353576-902	Arm shaft crank	●	●	●	●	●	●
4	445898	Arm shaft crank retaining pin	●	●	●	●	●	●
5	354105-853	Thread take-up set screw	●	●	●	●	●	●
6	141916-833	Arm shaft crank screw	●	●	●	●	●	●
7	319764-000	Needle bar crank washer	●	●	●	●	●	●
8	353580-000	Arm shaft (horizontal) retaining collar	●	●	●	●	●	●
9	9353552-901	Arm shaft collar	●	●	●	●	●	●
10	113500-451	Arm shaft (horizontal) retaining collar set screw	●	●	●	●	●	●
11	353272-000	Arm shaft (horizontal) bevel gear complete	●	●	●	●	●	●
12	353413-000	Arm shaft (horizontal) bevel gear & feed lifting eccentric washer (plastic)	●	●	●	●	●	●
13	354813-451	Arm shaft (horizontal) bevel gear & feed lifting eccentric set screw	●	●	●	●	●	●
14	353273-002	Arm shaft (upright) bevel gear (plastic) with screws	●	●	●	●	●	●
15	446223-902	Arm shaft (upright) bevel gear	●	●	●	●	●	●
16	354105-853	Arm shaft (upright) bevel gear set screw	●	●	●	●	●	●
17	359046-000	Arm shaft (upright) with bevel gear	●	●	●	●	●	●
18	446225-002	Arm shaft (upright)	●	●	●	●	●	●
19	319826-000	Arm shaft (upright) belt drive pulley washer	●	●	●	●	●	●
20	353438-001	Arm shaft (upright) Belt drive pulley retaining collar set screw	●	●	●	●	●	●
21	354906-451	Arm shaft (upright) belt drive pulley complete	●	●	●	●	●	●
22	446237-000	Rotating hook drive belt	●	●	●	●	●	●
23	139943-803	Rotating hook drive belt retainer screw	●	●	●	●	●	●
24	446376-000	Rotating hook drive belt retainer	●	●	●	●	●	●
25	358081-001	Rotating hook drive belt tension adjuster complete	●	●	●	●	●	●
26	141794-819	Rotating hook drive belt tensioner screw	●	●	●	●	●	●

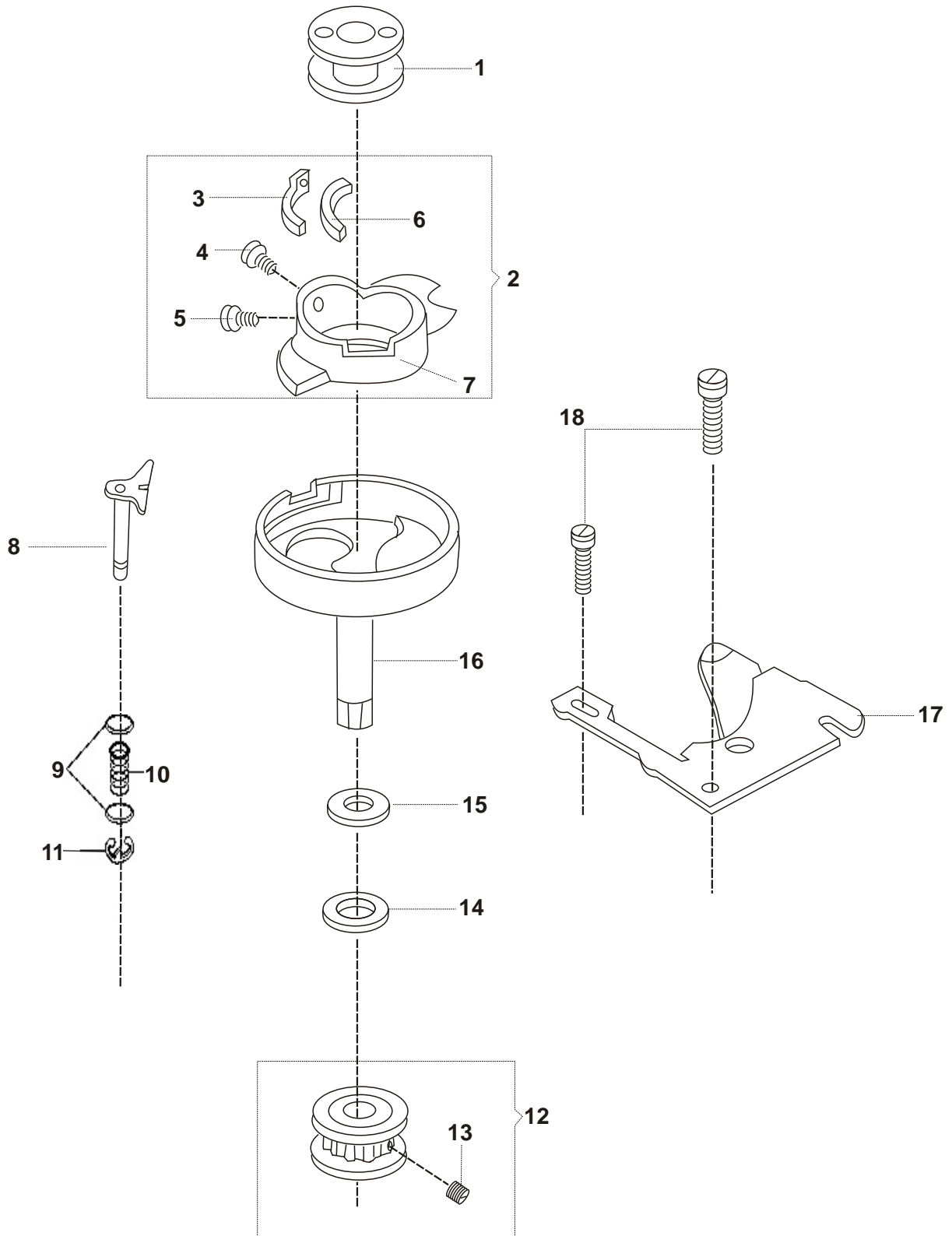


REF.	PARTS NUMBER	DESCRIPTION	2712	2722	2732	2718	2724	2730
1	359104-001	Hand wheel complete	●	●	●	●	●	●
2	354813-451	Hand wheel disengaging clutch bushing screw	●	●	●	●	●	●
3	357359-000	Hand wheel disengaging clutch bushing	●	●	●	●	●	●
4	357365	Hand wheel disengaging clutch actuating spring	●	●	●	●	●	●
5	130516-001	Hand wheel disengaging clutch engaging plate cover	●	●	●	●	●	●
6	357364	Hand wheel disengaging clutch engaging plate hinge pin (plastic)	●	●	●	●	●	●
7	356958-451	Hand wheel (plastic) molded	●	●	●	●	●	●
8	446387	Hand wheel retaining ring	●	●	●	●	●	●

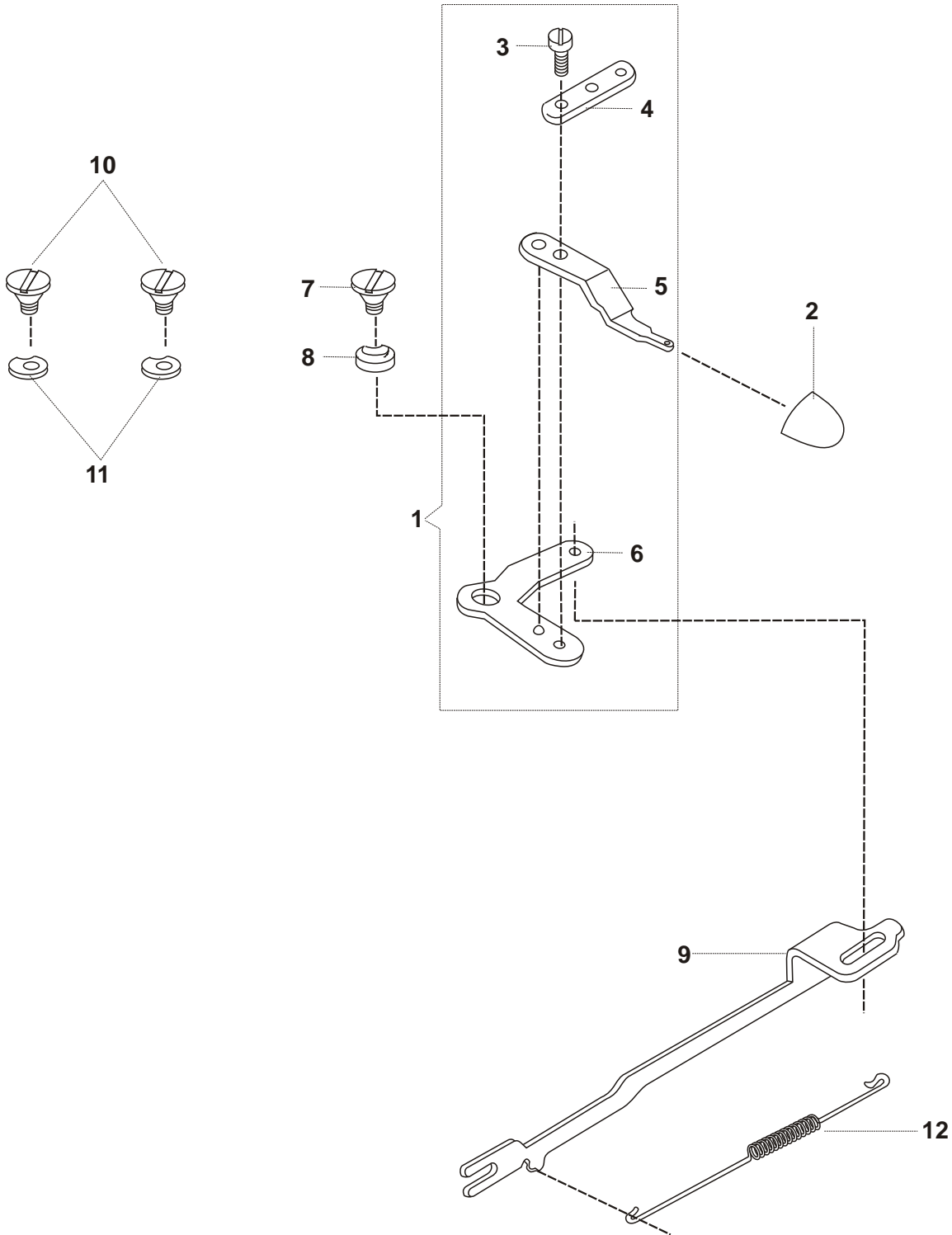
TENSION MECHANISM



REF.	PARTS NUMBER	DESCRIPTION	2712	2722	2732	2718	2724	2730
1	357748-001	Tension mechanism shrouder with pin	●	●	●	●	●	●
2	356443-000	Tension mechanism shrouder washer	●	●	●	●	●	●
3	141920-453	Tension mechanism shrouder screw	●	●	●	●	●	●
4	359028-900	Thread take-up thread guide	●	●	●	●	●	●
5	141938-833	Tension mechanism set screw	●	●	●	●	●	●
6	445784	Tension thread guide	●	●	●	●	●	●
7	359048-001	Tension mechanism complete	●	●	●	●	●	●
8	81840-900	Tension t-up s.position collar	●	●	●	●	●	●
9	44453-900	Tension stud	●	●	●	●	●	●
10	44634	Tension releasing pin	●	●	●	●	●	●
11	66774-002	Thread take-up spring	●	●	●	●	●	●
12	2102	Tension disc	●	●	●	●	●	●
13	45343	Thread take-up spring thread guide	●	●	●	●	●	●
14	37987-900	Tension indicator	●	●	●	●	●	●
15	125314	Tension spring	●	●	●	●	●	●
16	37984	Tension indicator spring washer	●	●	●	●	●	●
17	507405	Tension adaptor	●	●	●	●	●	●
18	359091-451	Tension indicator dial with graphics	●	●	●	●	●	●

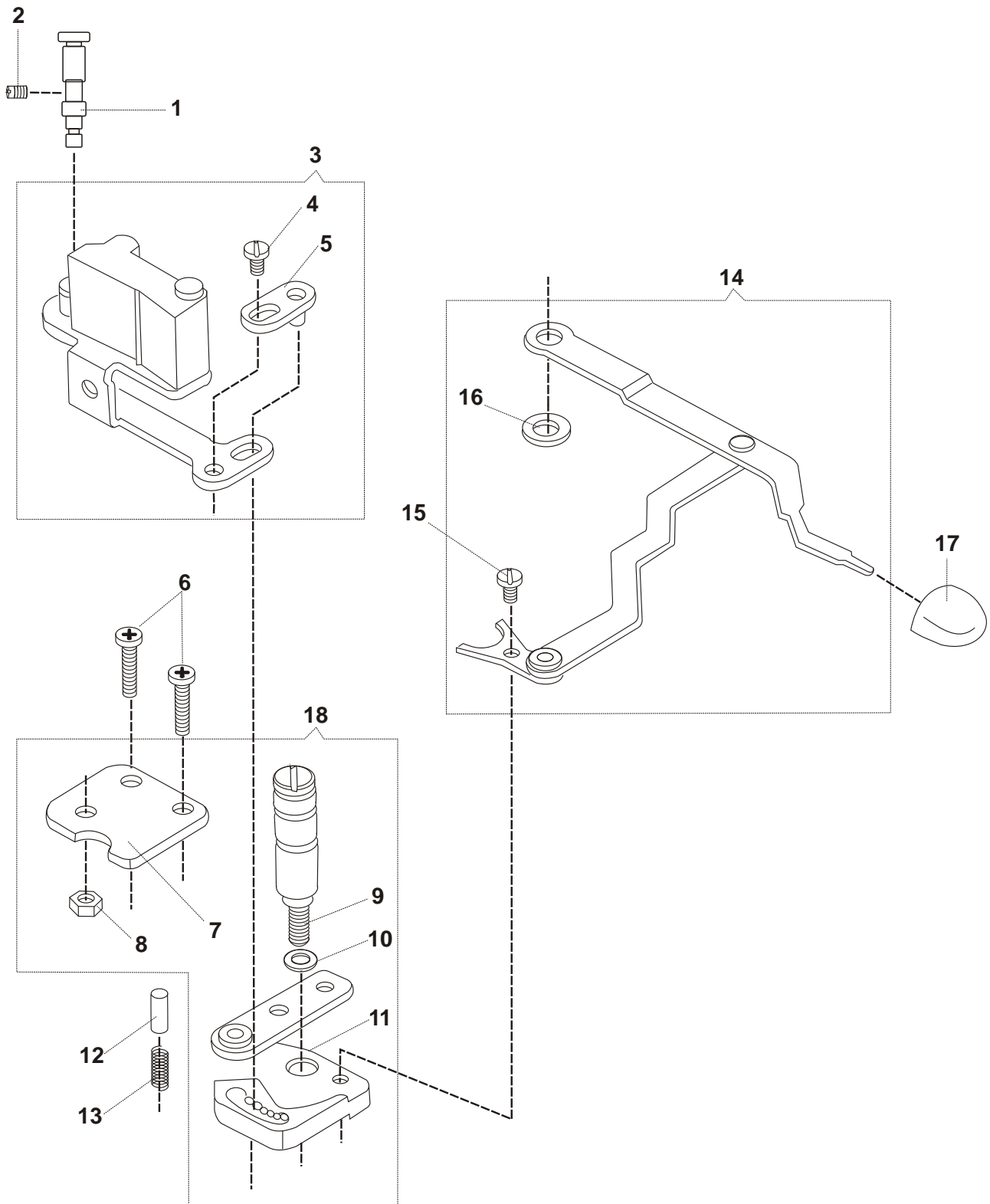


REF.	PARTS NUMBER	DESCRIPTION	2712	2722	2732	2718	2724	2730
1	172336-001	Rotating hook bobbin (plastic)	●	●	●	●	●	●
2	421325	Rotating hook bobbin case complete	●	●	●	●	●	●
3	310883	Rotating hook bobbin case tension spring	●	●	●	●	●	●
4	354183-451	Rotating hook bobbin case tension regulating screw	●	●	●	●	●	●
5	139975-803	Rotating hook bobbin case tension spring segment screw	●	●	●	●	●	●
6	310884-452	Rotating hook bobbin case tension spring segment	●	●	●	●	●	●
7	310799-902	Rotating hook bobbin case	●	●	●	●	●	●
8	130532	Rotating hook bobbin case retaining plate assembly	●	●	●	●	●	●
9	445808	Washer	●	●	●	●	●	●
10	130531	Rotating hook bobbin case retaining plate stud spring	●	●	●	●	●	●
11	130530	Rotating hook bobbin case retaining plate retaining ring	●	●	●	●	●	●
12	446235-000	Rotating hook belt drive pulley complete	●	●	●	●	●	●
13	141803	Rotating hook belt drive pulley screw	●	●	●	●	●	●
14	382861-906	Rotating hook belt drive pulley washer	●	●	●	●	●	●
15	353453-000	Rotating hook washer	●	●	●	●	●	●
16	353366-000	Rotating hook complete	●	●	●	●	●	●
17	44873-001	Rotating hook bobbin case position plate	●	●	●	●	●	●
18	354917-451	Rotating hook bobbin case position plate screw	●	●	●	●	●	●

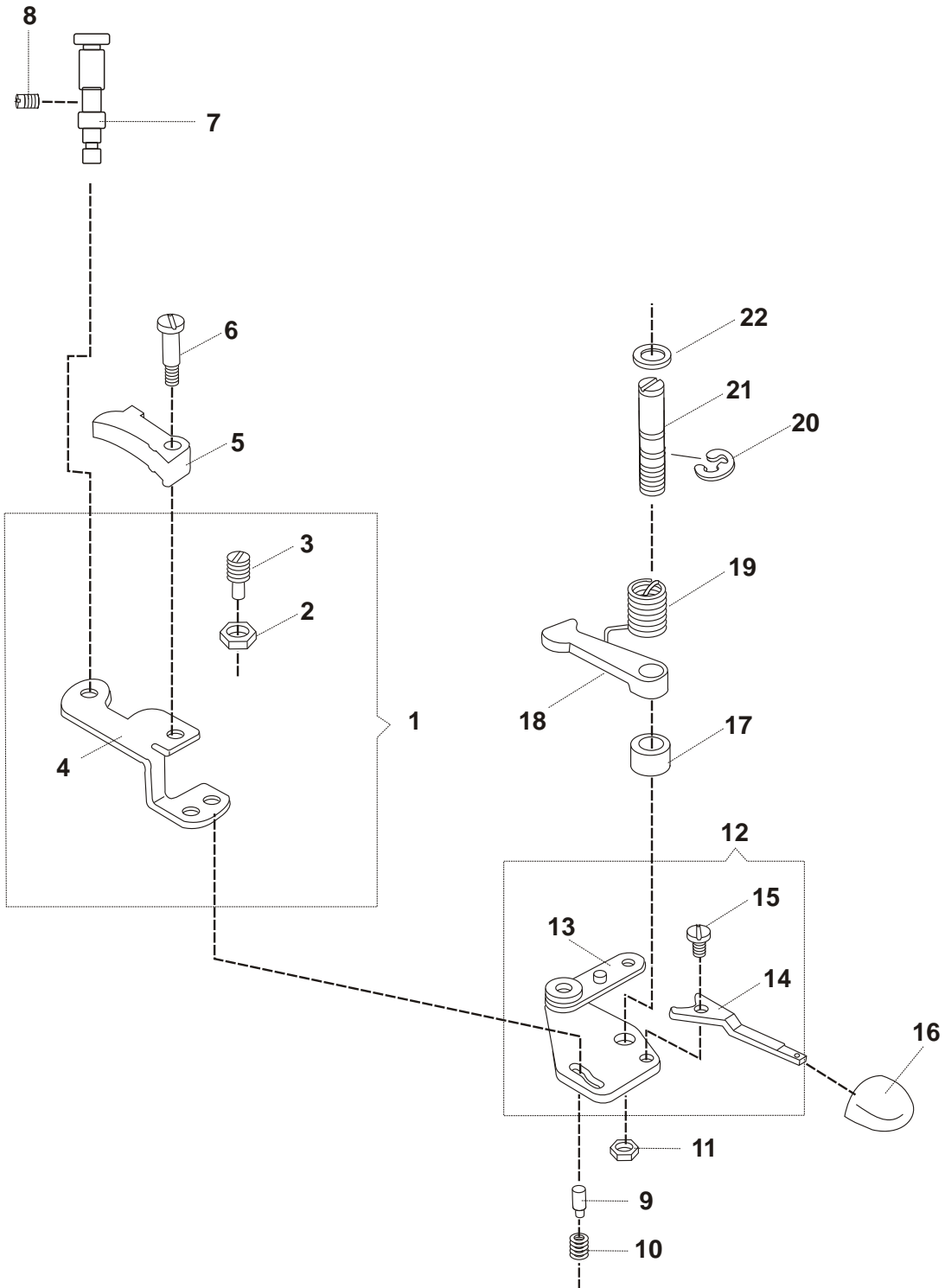


REF.	PARTS NUMBER	DESCRIPTION	2712	2722	2732	2718	2724	2730
1	359062-000	Bight amplitude control lever complete	●	●	●	●	●	●
2	359013-900	Bight amplitude control lever knob	●	●	●	●	●	●
3	139866-451	Bight amplitude control lever screw	●	●	●	●	●	●
4	44556	Buttonholer Bight control cam follower lever link	●	●	●	●	●	●
5	356061-000	Bight amplitude control lever	●	●	●	●	●	●
6	37246	Bight amplitude control lever link	●	●	●	●	●	●
7	354543-451	Bight amplitude control lever link hinge screw	●	●	●	●	●	●
8	444938	Bight amplitude control lever link hinge screw friction washer	●	●	●	●	●	●
9	37933-002	Needle bar driving arm	●	●	●	●	●	●
10	141913-451	Bight amplitude control lever link stop screw	●	●	●	●	●	●
11	446904	Bight amplitude control lever link stop	●	●	●	●	●	●
12	37942	Needle bar driving arm tension spring	●	●	●	●	●	●

NEEDLE POSITION (For models 2718 / 2724 / 2730)

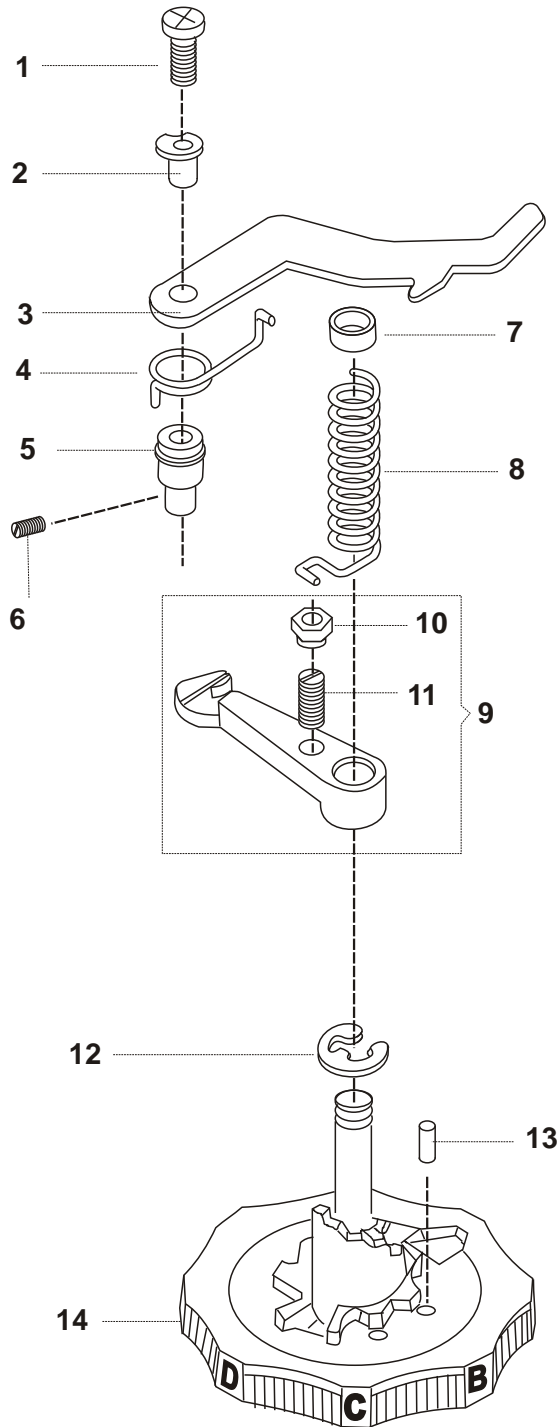


NEEDLE POSITION (For models 2712 / 2722 / 2732)



NEEDLE POSITION (For models 2712 / 2722 / 2732)

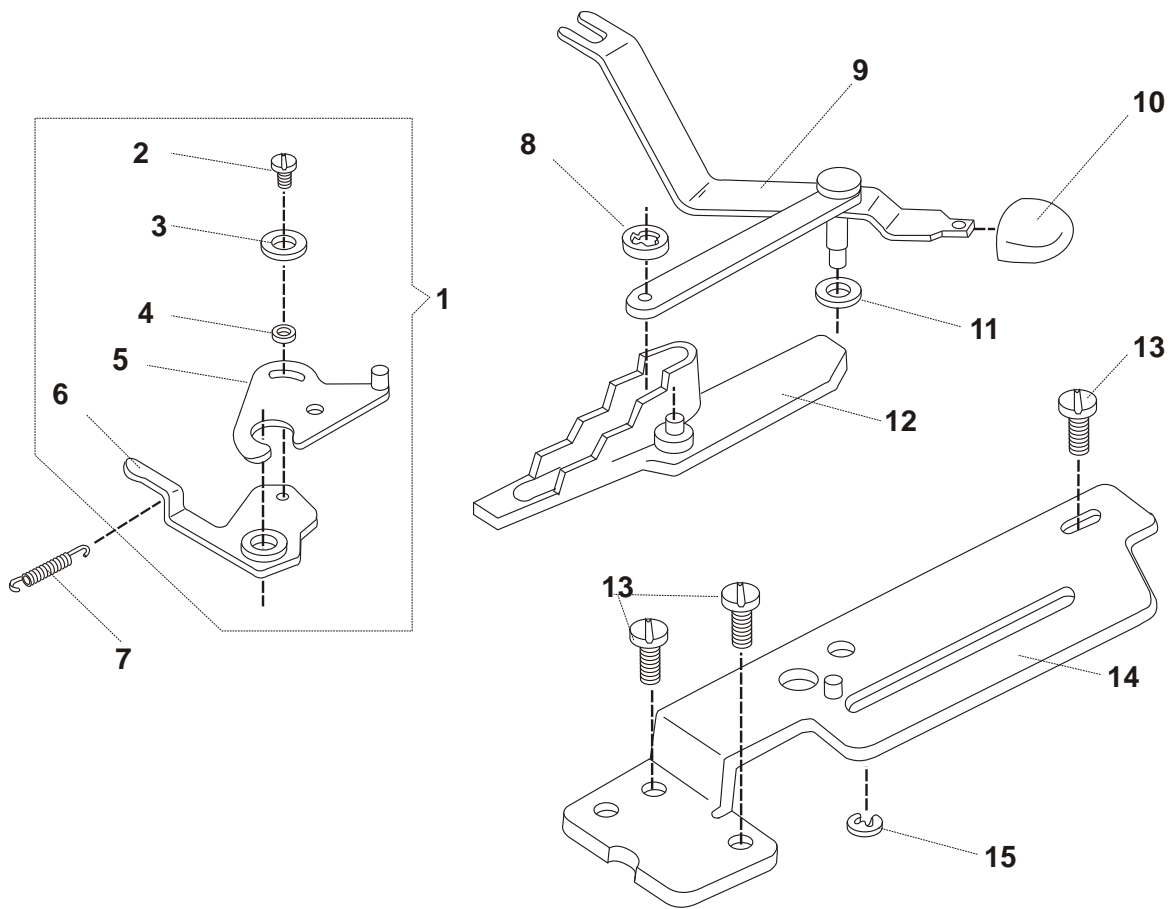
REF.	PARTS NUMBER	DESCRIPTION	2712	2722	2732
1	445348	Needle bar driving arm slide bracket complete	●	●	●
2	53641	Needle position selector lever bracket follower stud nut	●	●	●
3	445347	Needle position selector lever bracket follower stud screw	●	●	●
4	37939	Needle bar driving arm slide bracket support	●	●	●
5	445841	Needle bar driving arm slide bracket	●	●	●
6	354669-451	Needle bar driving arm slide bracket articulating screw	●	●	●
7	37941	Needle bar driving arm slide bracket hinge stud	●	●	●
8	141803	Needle bar driving arm slide bracket pin screw	●	●	●
9	319690	Needle position selector lever bracket positioning pin	●	●	●
10	444800	Needle position selector lever bracket positioning pin spring	●	●	●
11	54591-451	Disc follower stud nut	●	●	●
12	356062-000	Needle position selector lever bracket complete	●	●	●
13	44628-000	Needle position selector lever bracket assembly	●	●	●
14	356065-000	Needle position selector lever	●	●	●
15	141913-451	Needle position selector lever screw	●	●	●
16	359013-900	Needle position selector lever knob (plastic)	●	●	●
17	353585-000	Disc follower stud collar	●	●	●
18	446404-000	Disc follower (machined)	●	●	●
19	179897-000	Disc follower actuating spring	●	●	●
20	543801-002	Retaining ring	●	●	●
21	353584-000	Disc follower stud	●	●	●
22	353548-000	Disc follower actuating spring retaining ring	●	●	●



PATTERN SELECTOR (for models 2718 / 2724 / 2730)

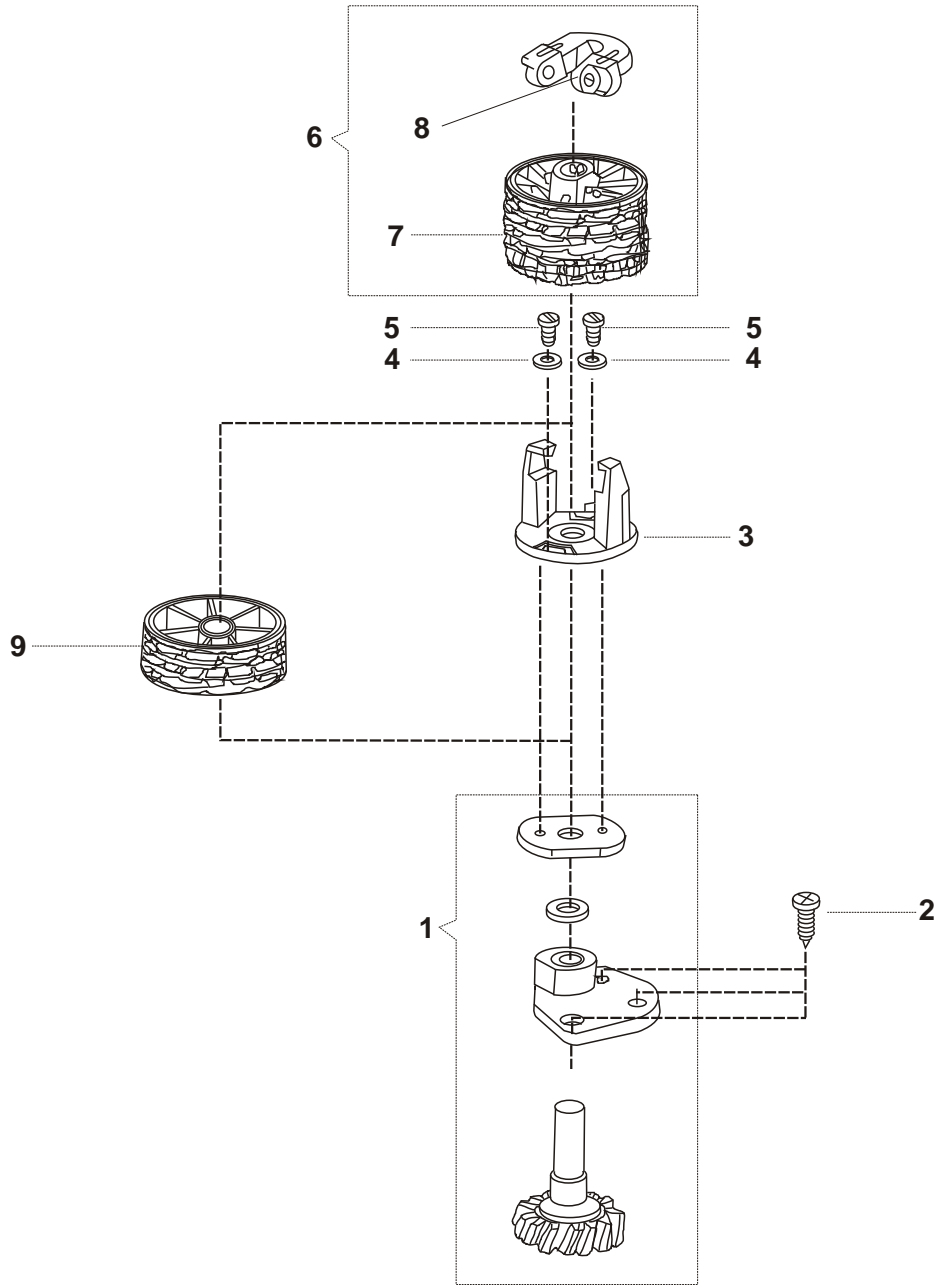
REF.	PARTS NUMBER	DESCRIPTION	2718	2724	2730
1	354826-451	Disc follower disengaging lever screw	●	●	●
2	356751-000	Disc follower disengaging lever bushing	●	●	●
3	356750-000	Disc follower disengaging lever	●	●	●
4	356752-000	Disc follower disengaging lever spring	●	●	●
5	359079-900	Disc follower disengaging lever stud	●	●	●
6	141803-000	Disc follower disengaging lever stud screw	●	●	●
7	353548-000	Disc follower actuating spring retaining ring	●	●	●
8	356768-000	Disc follower spring	●	●	●
9	356770-000	Disc follower complete	●	●	●
10	531699-451	Disc follower adjusting screw stud nut	●	●	●
11	445341-000	Disc follower adjusting screw stud	●	●	●
12	603908-001	Disc selector cam retaining ring	●	●	●
13	507840-900	Pattern selector dial stop pin	●	●	●
14	356749-454	Pattern selector cam dial with graphics			●
14	356749-457	Pattern selector cam dial with graphics		●	
14	356749-460	Pattern selector cam dial with graphics	●		

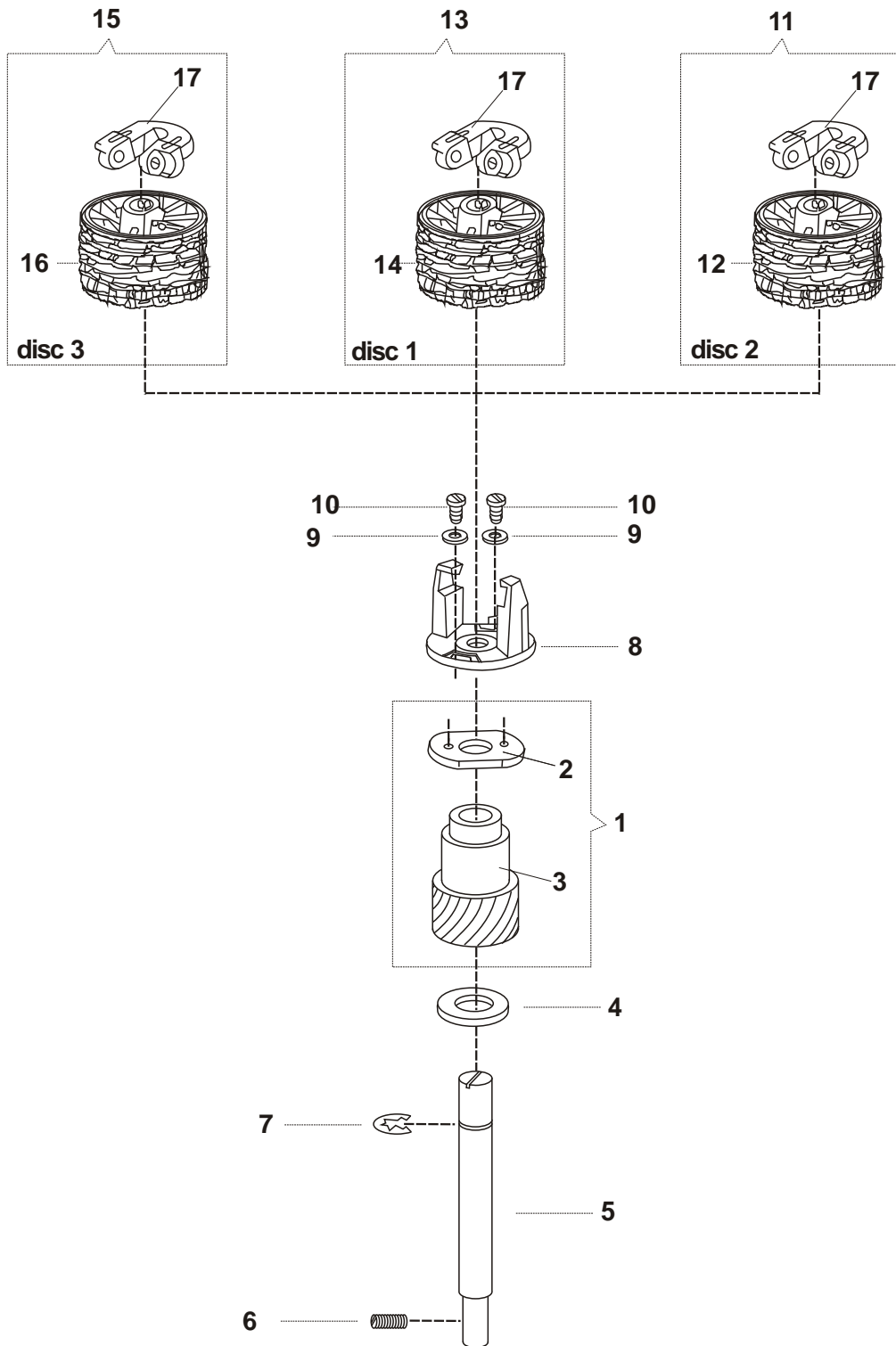
PATTERN SELECTOR (For models 2712 / 2722 / 2732)



PATTERN SELECTOR (For models 2712 / 2722 / 2732)

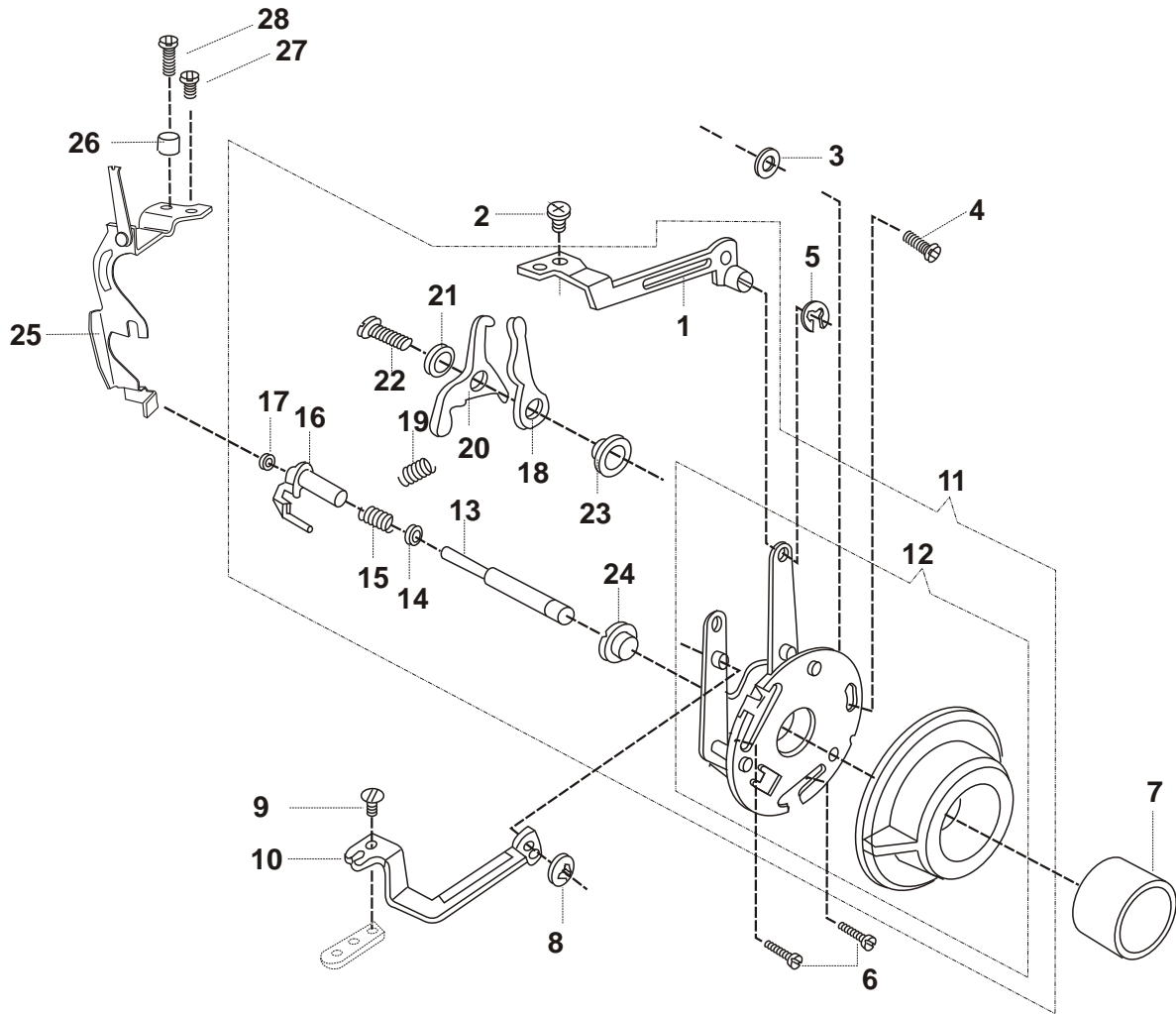
REF.	PARTS NUMBER	DESCRIPTION	2712	2722	2732
1	446410-000	Disc follower disengaging lever plate complete	●	●	●
2	141913-451	Disc follower disengaging lever plate adjusting screw	●	●	●
3	356830-001	Actuating pin washer	●	●	●
4	445808	Disc follower disengaging lever plate adjusting screw washer	●	●	●
5	446411-000	Disc follower disengaging lever plate assembly	●	●	●
6	446412-000	Disc follower disengaging lever	●	●	●
7	446415-000	Disc follower disengaging lever spring	●	●	●
8	446417-000	Pattern selector cam slide retaining ring	●	●	●
9	356069-000	Pattern selector lever complete	●	●	●
10	359013-900	Pattern selector lever knob (plastic)	●	●	●
11	446138	Pattern selector drive stud washer	●	●	●
12	359019-900	Pattern selector cam slide	●	●	●
13	113424-451	Disc selector and needle position selector lever screw	●	●	●
14	446405-000	Disc selector and needle position mounting plate complete	●	●	●
15	408030-000	Pattern selector lever retaining ring	●	●	●





REF.	PARTS NUMBER	DESCRIPTION	2712	2722	2732
1	359044-000	Cam stack driving gear complete	●	●	●
2	444914-900	Cam stack driving gear support	●	●	●
3	359043-000	Cam stack driving gear with insert	●	●	●
4	444923-000	Cam stack driving gear shaft washer	●	●	●
5	359030-900	Cam stack driving gear shaft	●	●	●
6	141803	Cam stack driving gear shaft set screw	●	●	●
7	444921-000	Cam stack driving gear shaft retaining ring	●	●	●
8	359010-900	Cam stack driving plate (plastic)	●	●	●
9	446138	Cam stack fitting screw washer	●	●	●
10	141920-451	Cam stack fitting screw	●	●	●
11	357021-000	Cam stack No.2 with handle		●	●
12	356970-451	Cam stack No. 2		●	●
13	359063-000	Cam stack No. 1 with handle	●	●	●
14	359020-900	Cam stack No. 1	●	●	●
15	358158-451	Cam stack No. 3 with handle			●
16	358157-000	Cam stack Number 3			●
17	356965-451	Cam stack handle	●	●	●

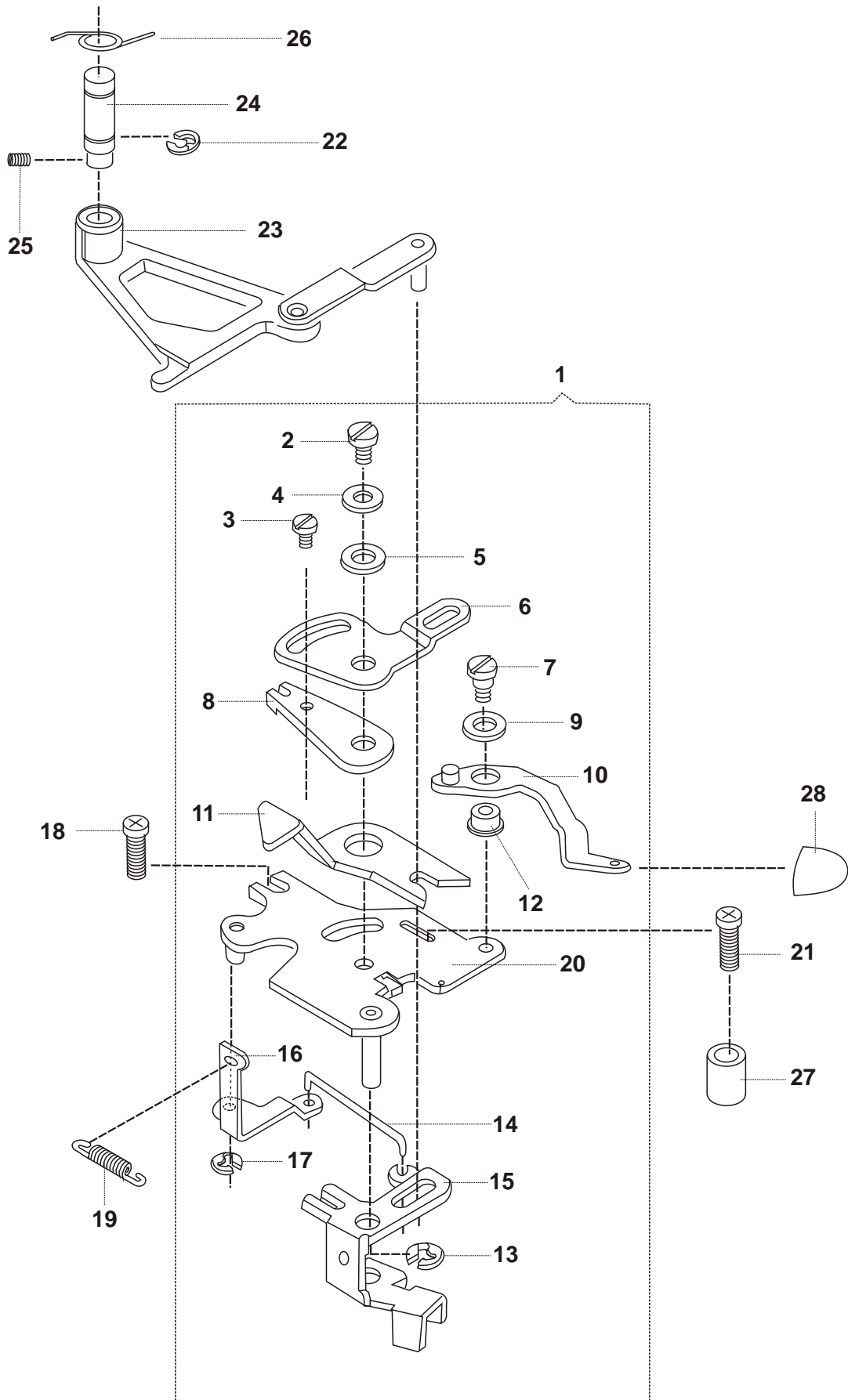
BUTTONHOLER & FEED REGULATOR CAM



BUTTONHOLER & FEED REGULATOR CAM

REF.	PARTS NUMBER	DESCRIPTION	2712	2722	2732	2718	2724	2730
1	353536-000	Buttonholer & needle position cam follower lever link (right) with stud	●	●	●	●	●	●
2	141913-451	Buttonholer& needle position cam follower lever link (right) screw	●	●	●	●	●	●
3	445765	Washer	●	●	●	●	●	●
4	130614-451	Screw	●	●	●	●	●	●
5	445486	Buttonholer bight control cam follower lever link (right) retaining ring	●	●	●	●	●	●
6	354858-451	Buttonholer & feed regulator mechanism mounting plate screw	●	●	●	●	●	●
7	359073-451	Feed regulator positioning pin knob with graphics	●	●	●	●	●	●
8	445486	Buttonholer bight control cam follower lever link retaining ring	●	●	●	●	●	●
9	141913-451	Buttonholer bight control cam follower lever link screw	●	●	●	●	●	●
10	356081-000	Buttonholer bight control cam follower lever link (right)	●	●	●			
10	356748-000	Buttonholer bight control cam follower lever link (right)				●	●	●
11	359075-001	Buttonholer & feed regulator complete	●	●	●	●	●	●
12	359106-000	Buttonholer & feed regulator cam complete	●	●	●	●	●	●
13	356650-000	Feed regulator positioning pin	●	●	●	●	●	●
14	356830-001	Feed regulator positioning pin washer	●	●	●	●	●	●
15	44892-000	Feed regulator positioning pin friction spring	●	●	●	●	●	●
16	357094-000	Feed regulator positioning pin carrier	●	●	●	●	●	●
17	618638-005	Feed regulator positioning pin carrier insert nut	●	●	●	●	●	●
18	353321-000	Cam controlled feed engaging cam follower lever	●	●	●	●	●	●
19	358102-000	Buttonholer & feed regulator control dial pawl spring	●	●	●	●	●	●
20	353320-000	Cam controlled feed engaging cam follower	●	●	●	●	●	●
21	445539-000	Cam controlled feed engaging cam follower & lever washer	●	●	●	●	●	●
22	113372-451	Cam controlled feed engaging cam follower and lever mount. screw	●	●	●	●	●	●
23	353319-000	Cam controlled feed engaging cam follower & lever bushing	●	●	●	●	●	●
24	356613-900	Cam controlled feed engaging cam	●	●	●	●	●	●
25	359026-000	Feed regulator control arm mounting bracket assembly	●	●	●	●	●	●
26	359031-900	Cam controlled feed spacer brushing	●	●	●	●	●	●
27	354552-451	Feed regulator control arm screw	●	●	●	●	●	●
28	113370-451	Feed regulator control arm bushing screw	●	●	●	●	●	●

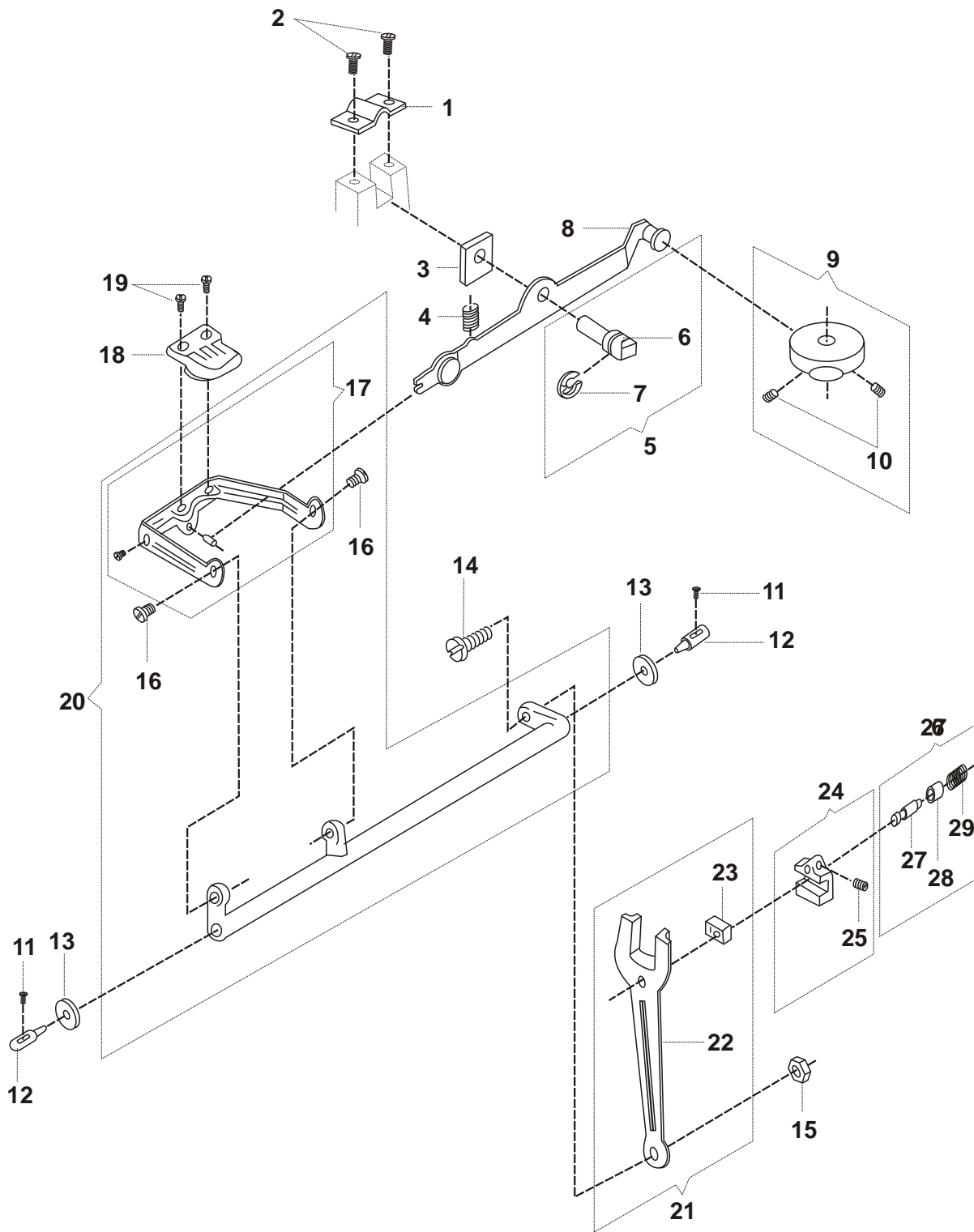
CAM CONTROLLED FEED



CAM CONTROLLED FEED

REF.	PARTS NUMBER	DESCRIPTION	2712	2722	2732	2718	2724	2730
1	356074-000	Cam controlled feed mechanism complete	●	●	●	●	●	●
2	113423-451	Cam controlled feed balance adjusting plate hinge screw	●	●	●	●	●	●
3	141913-451	Cam controlled feed balance adjusting screw	●	●	●	●	●	●
4	543531-000	Cam controlled feed balance adjusting screw spring washer	●	●	●	●	●	●
5	353492-000	Cam controlled feed balance adjusting screw washer	●	●	●	●	●	●
6	531754-000	Cam controlled feed balance adjusting plate	●	●	●	●	●	●
7	113424-451	Cam controlled feed balance adjusting lever hinge screw	●	●	●	●	●	●
8	353331-000	Cam controlled feed driving arm eccentric	●	●	●	●	●	●
9	179898-001	Cam controlled feed balance adjusting lever washer	●	●	●	●	●	●
10	356076-000	Cam controlled feed balance adjusting lever assembly	●	●	●	●	●	●
11	353330-001	Cam controlled feed driving arm	●	●	●	●	●	●
12	353334-000	Cam controlled feed balance adjusting lever mounting bushing	●	●	●	●	●	●
13	445721-000	Cam controlled feed engaging crank retaining ring	●	●	●	●	●	●
14	353473-000	Cam controlled feed engaging crank link	●	●	●	●	●	●
15	353329-000	Cam controlled feed engaging crank	●	●	●	●	●	●
16	356166-000	Cam controlled feed engaging crank lever	●	●	●	●	●	●
17	445486	Cam controlled feed follower & link retaining ring	●	●	●	●	●	●
18	113424-451	Cam controlled feed mounting bracket screw	●	●	●	●	●	●
19	356605-000	Feed regulator control arm bias link spring	●	●	●	●	●	●
20	531750-000	Cam controlled feed mounting bracket assembly	●	●	●	●	●	●
21	113370-451	Cam controlled feed mechanism mounting screw	●	●	●	●	●	●
22	445486	Cam controlled feed follower & link assembly retaining ring	●	●	●	●	●	●
23	353335-000	Cam controlled feed follower & link assembly	●	●	●			
23	356839-000	Cam controlled feed follower & link assembly				●	●	●
24	353344-000	Cam controlled feed follower pin				●	●	●
24	353344-001	Cam controlled feed follower pin	●	●	●			
25	141803	Cam controlled feed follower pin set screw	●	●	●	●	●	●
26	357003-000	Cam controlled feed follower disengaging spring	●	●	●	●	●	●
27	359031-900	Cam controlled feed spacer bushing	●	●	●	●	●	●
28	359060-900	Cam controlled feed lever knob (plastic)	●	●	●	●	●	●

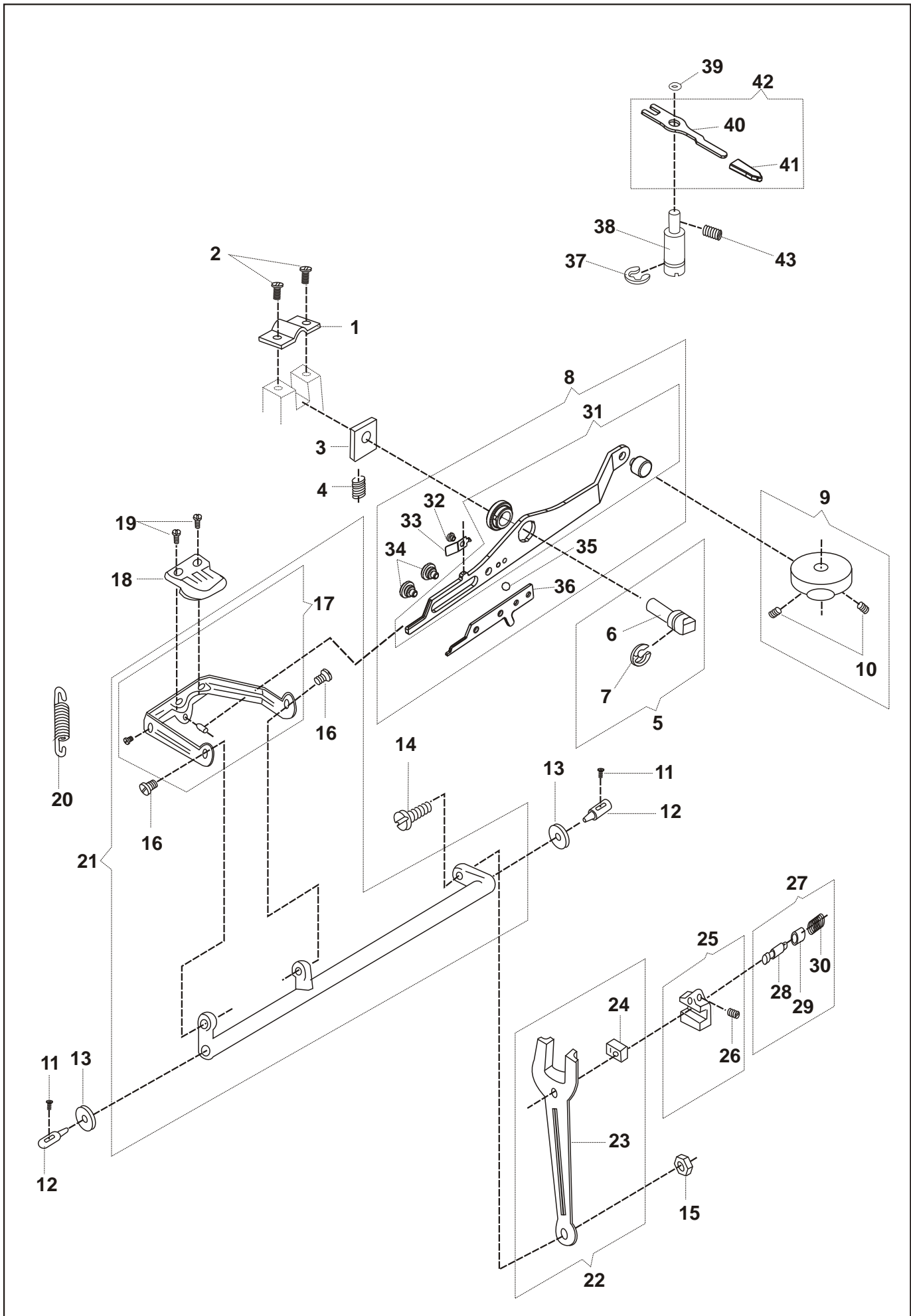
FEED SYSTEM (For models 2712 / 2718)



FEED SYSTEM (For models 2712 / 2718)

REF.	PARTS NUMBER	DESCRIPTION	2712	2718
1	446485-000	Feed lifting lever hinge stud (eccentric) clamp	●	●
2	113424-451	Feed lifting lever hinge stud (eccentric) clamp screw	●	●
3	179955-000	Feed lifting lever hinge stud (eccentric) spacer	●	●
4	446249-000	Feed lifting lever spring	●	●
5	353479-000	Feed lifting lever hinge stud (eccentric) assembly	●	●
6	353448-000	Feed lifting lever hinge stud (eccentric)	●	●
7	353428-000	Feed lifting lever hinge stud retaining ring	●	●
8	356222-001	Feed lifting lever assembly	●	●
9	359092-902	Feed lifting cam (plastic) complete	●	●
10	544118-000	Feed lifting cam setting screw	●	●
11	113372-451	Feed rock shaft center setting screw	●	●
12	359037-900	Feed rock shaft center	●	●
13	353397-000	Feed rock shaft center noise dampening washer	●	●
14	531623-451	Feed forked connection hinge screw (eccentric)	●	●
15	53458-451	Feed forked connection screw stud nut	●	●
16	354939-451	Feed bar hinge screw	●	●
17	358001-000	Feed bar assembly	●	●
18	179891-000	Feed dog	●	●
19	355235-451	Feed dog screw	●	●
20	358069-000	Feed rock shaft complete	●	●
21	356417-901	Feed forked connection with slide block	●	●
22	356417-000	Feed forked connection with stud complete	●	●
23	44437	Feed forked connection slide block	●	●
24	359047-000	Feed regulator assembly	●	●
25	141925-833	Feed regulator set screw	●	●
26	445955	Feed regulator hinge stud complete	●	●
27	445766	Feed regulator hinge stud	●	●
28	445768	Feed regulator return spacer (plastic)	●	●
29	445860	Feed regulator spring	●	●

FEED SYSTEM (For models 2722 / 2724 / 2730 / 2732)



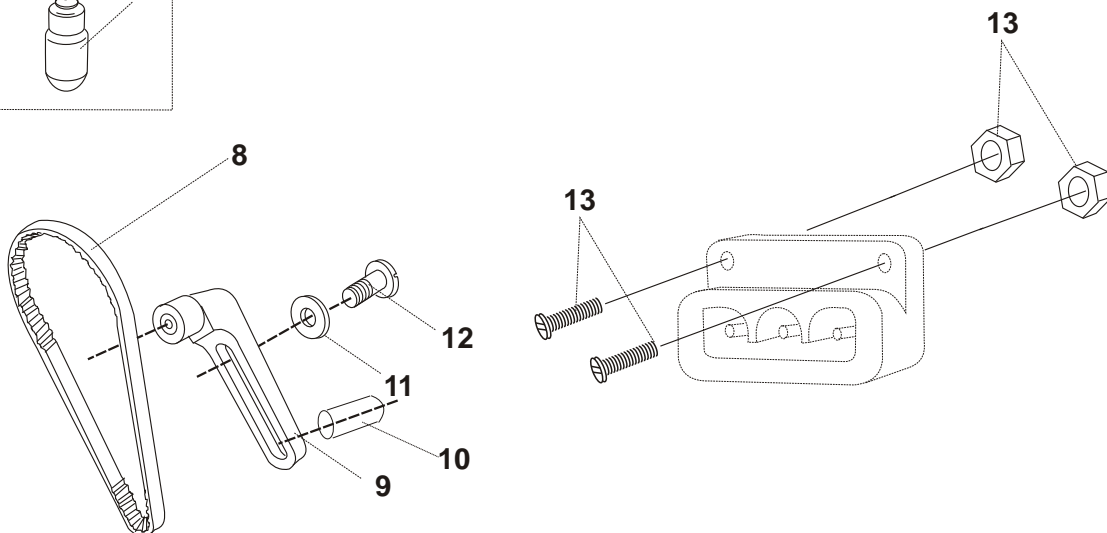
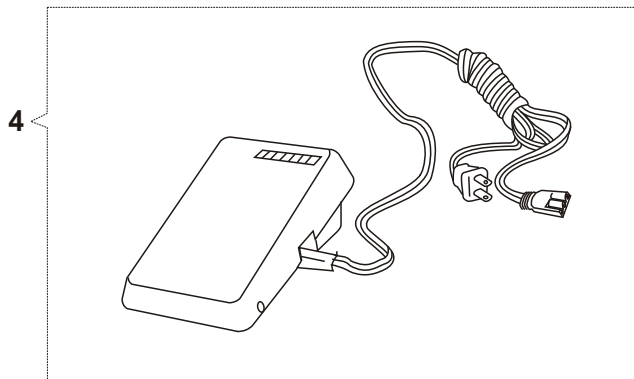
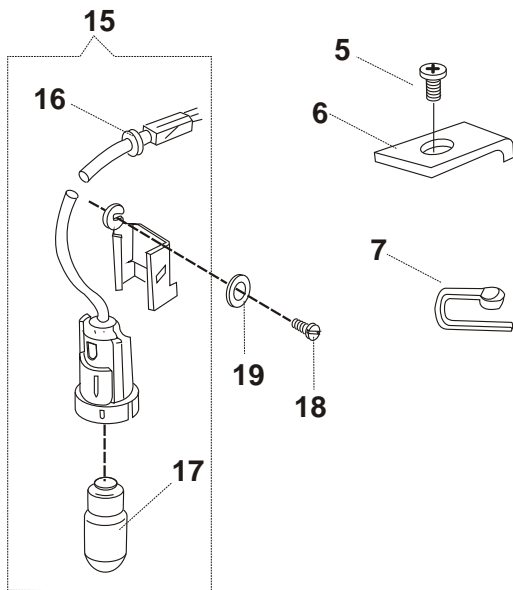
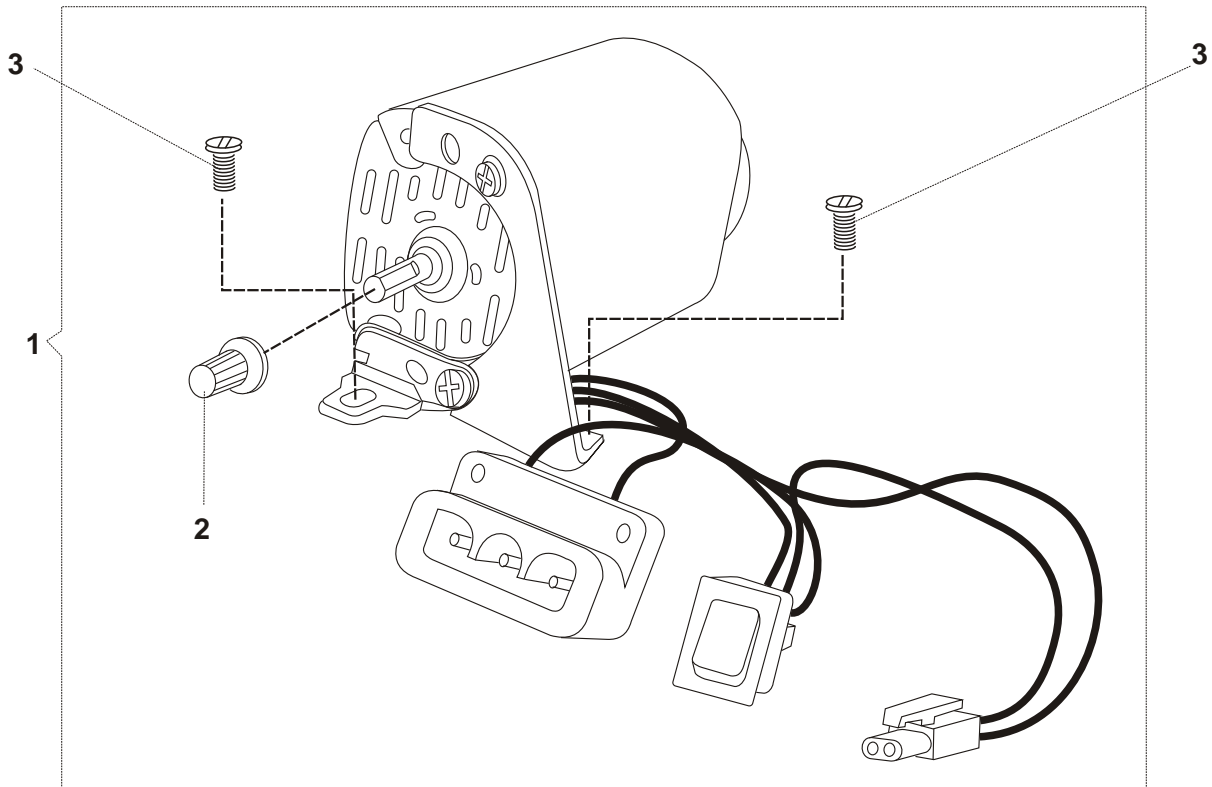
FEED SYSTEM (For models 2722 / 2724 / 2730 / 2732)

REF.	PARTS NUMBER	DESCRIPTION	2722	2732	2724	2730
1	446485-000	Feed lifting lever hinge stud (eccentric) clamp	●	●	●	●
2	113424-451	Feed lifting lever hinge stud (eccentric) clamp screw	●	●	●	●
3	179955-000	Feed lifting lever hinge stud (eccentric) spacer	●	●	●	●
4	446249-000	Feed lifting lever spring	●	●	●	●
5	353479-000	Feed lifting lever hinge stud (eccentric) assembly	●	●	●	●
6	353448-000	Feed lifting lever hinge stud (eccentric)	●	●	●	●
7	353428-000	Feed lifting lever hinge stud retaining ring	●	●	●	●
8	358003-000	Feed lifting lever complete	●	●	●	●
9	359092-902	Feed lifting cam (plastic) complete	●	●	●	●
10	544118-000	Feed lifting cam setting screw	●	●	●	●
11	113372-451	Feed rock shaft center setting screw	●	●	●	●
12	359037-900	Feed rock shaft center	●	●	●	●
13	353397-000	Feed rock shaft center noise dampening washer	●	●	●	●
14	531623-451	Feed forked connection hinge screw (eccentric)	●	●	●	●
15	53648-451	Feed forked connection screw stud nut	●	●	●	●
16	354939-451	Feed bar hinge screw	●	●	●	●
17	358001-000	Feed bar assembly	●	●	●	●
18	179891-000	Feed dog	●	●	●	●
19	355235-451	Feed dog screw	●	●	●	●
20	357983-900	Feed bar actuating spring	●	●	●	●
21	358069-000	Feed rock shaft complete	●	●	●	●
22	356417-901	Feed forked connection with slide block	●	●	●	●
23	356417-000	Feed forked connection with stud complete	●	●	●	●
24	44437	Feed forked connection slide block	●	●	●	●
25	359047-000	Feed regulator assembly	●	●	●	●
26	141925-833	Feed regulator set screw	●	●	●	●
27	445955	Feed regulator hinge stud complete	●	●	●	●
28	445766	Feed regulator hinge stud	●	●	●	●
29	445768	Feed regulator return spacer (plastic)	●	●	●	●
30	445860	Feed regulator spring	●	●	●	●
31	358002-000	Feed lifting lever assembly	●	●	●	●
32	357863-900	Stop spring fastening screw	●	●	●	●



FEED SYSTEM (For models 2722 / 2724 / 2730 / 2732)

REF.	PARTS NUMBER	DESCRIPTION	2722	2732	2724	2730
33	357807-900	Drop feed sphere spring stop	●	●	●	●
34	357862-900	Slide lever guide screw	●	●	●	●
35	357919-900	Stop sphere	●	●	●	●
36	357806-900	Drop feed sphere releasing lever	●	●	●	●
37	445486	Drop feed selector lever retaining ring	●	●	●	●
38	359081-900	Drop feed selector lever articulating pin	●	●	●	●
39	49204-000	Drop feed selector lever friction washer	●	●	●	●
40	357809-900	Drop feed selector lever	●	●	●	●
41	357877-900	Drop feed selector lever button	●	●	●	●
42	358068-001	Drop feed selector lever assembly	●	●	●	●
43	141803	Drop feed selector lever articulating pin screw	●	●	●	●



REF.	PARTS NUMBER	DESCRIPTION	2712	2722	2732	2718	2724	2730
1	359069-001	Motor (110-120 V) UL with switch complete	●	●	●	●	●	●
1	359069-002	Motor (220-2420 V) TUV with switch complete	●	●	●	●	●	●
2	359103-451	Motor pulley	●	●	●	●	●	●
3	362264-901	Motor bracket x bed mounting screw	●	●	●	●	●	●
4	359102-001	Foot controler(120V) complete (with trimpot) (plug A type) (UL)	●	●	●	●	●	●
4	359102-002	Foot controler(220V) complete (with trimpot) (plug C type) (TUV)	●	●	●	●	●	●
5	139943-803	Light lead shield plate set screw	●	●	●	●	●	●
6	359025-900	Light lead shield plate	●	●	●	●	●	●
7	5408990	Self-locking nylon cable tie rap	●	●	●	●	●	●
8	353518-005	Motor belt	●	●	●	●	●	●
9	359045-000	Motor belt tension adjuster assembly	●	●	●	●	●	●
10	546969	Motor belt tension support dowl pin	●	●	●	●	●	●
11	353488-000	Motor belt tension adjuster support screw washer	●	●	●	●	●	●
12	141794-819	Motor belt tension adjuster support screw	●	●	●	●	●	●
13	359039-451	Motor end housing x bed mounting screw	●	●	●	●	●	●
14	357932-900	Motor end housing x bed mounting screw nut	●	●	●	●	●	●
15	359105-001	Light cord complete (UL)	●	●	●	●	●	●
15	359105-002	Light cord complete (TUV)	●	●	●	●	●	●
16	179908-000	Light lead grommet	●	●	●	●	●	●
17	194120-019	Bulb (120-127 V; 15 W)	●	●	●	●	●	●
17	194120-020	Bulb (220-240 V; 15W)	●	●	●	●	●	●
18	354826-451	Light socket mounting screw	●	●	●	●	●	●
19	445765-000	Light socket mounting screw washer	●	●	●	●	●	●

SINGER®