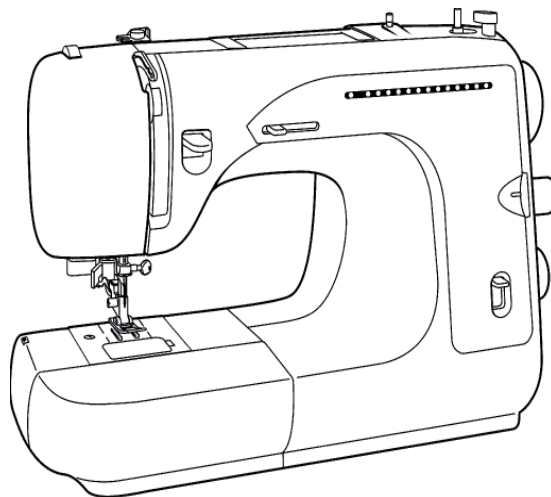


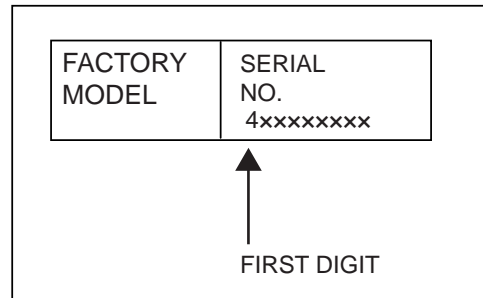


SINGER®

2662



Liste de pièces
Lista de Piezas
Parts List

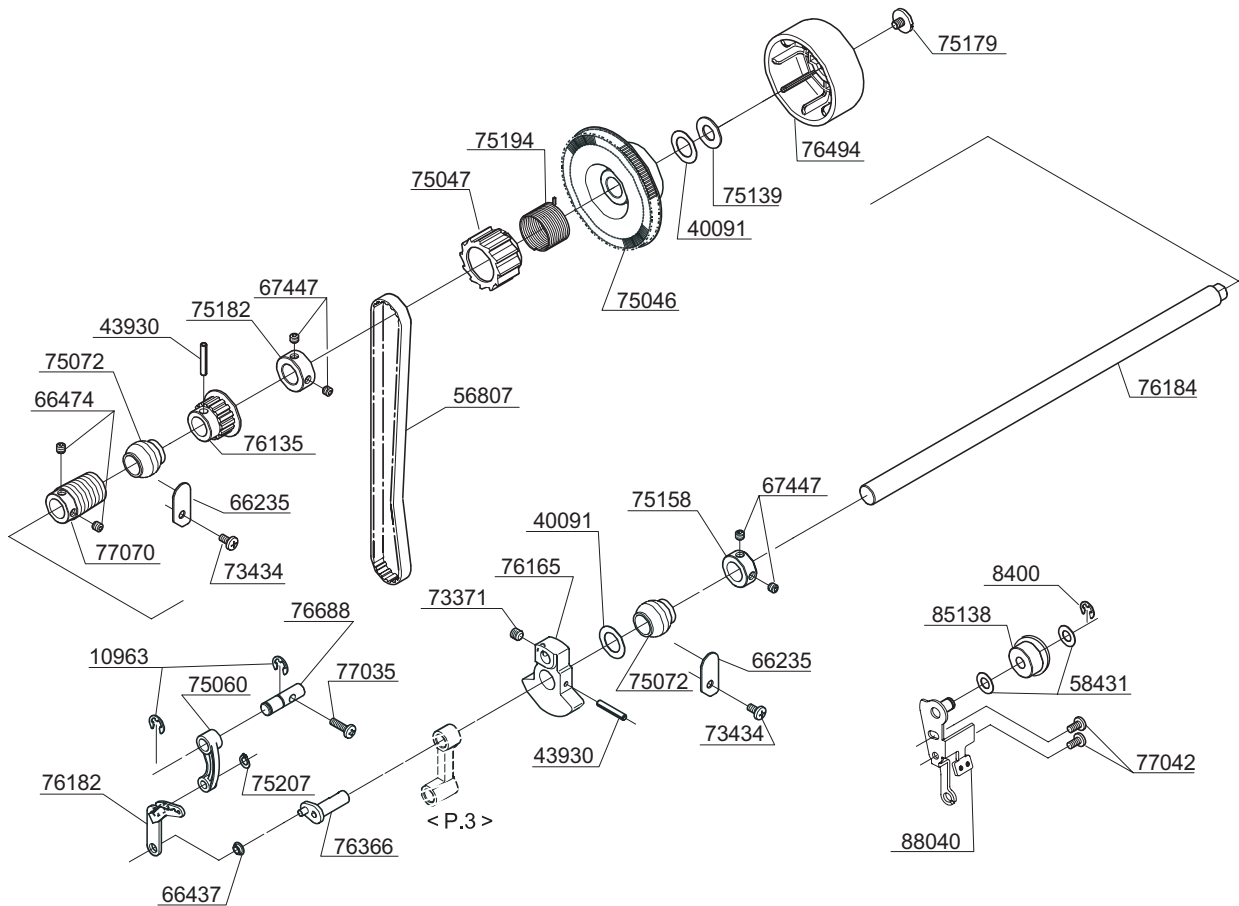
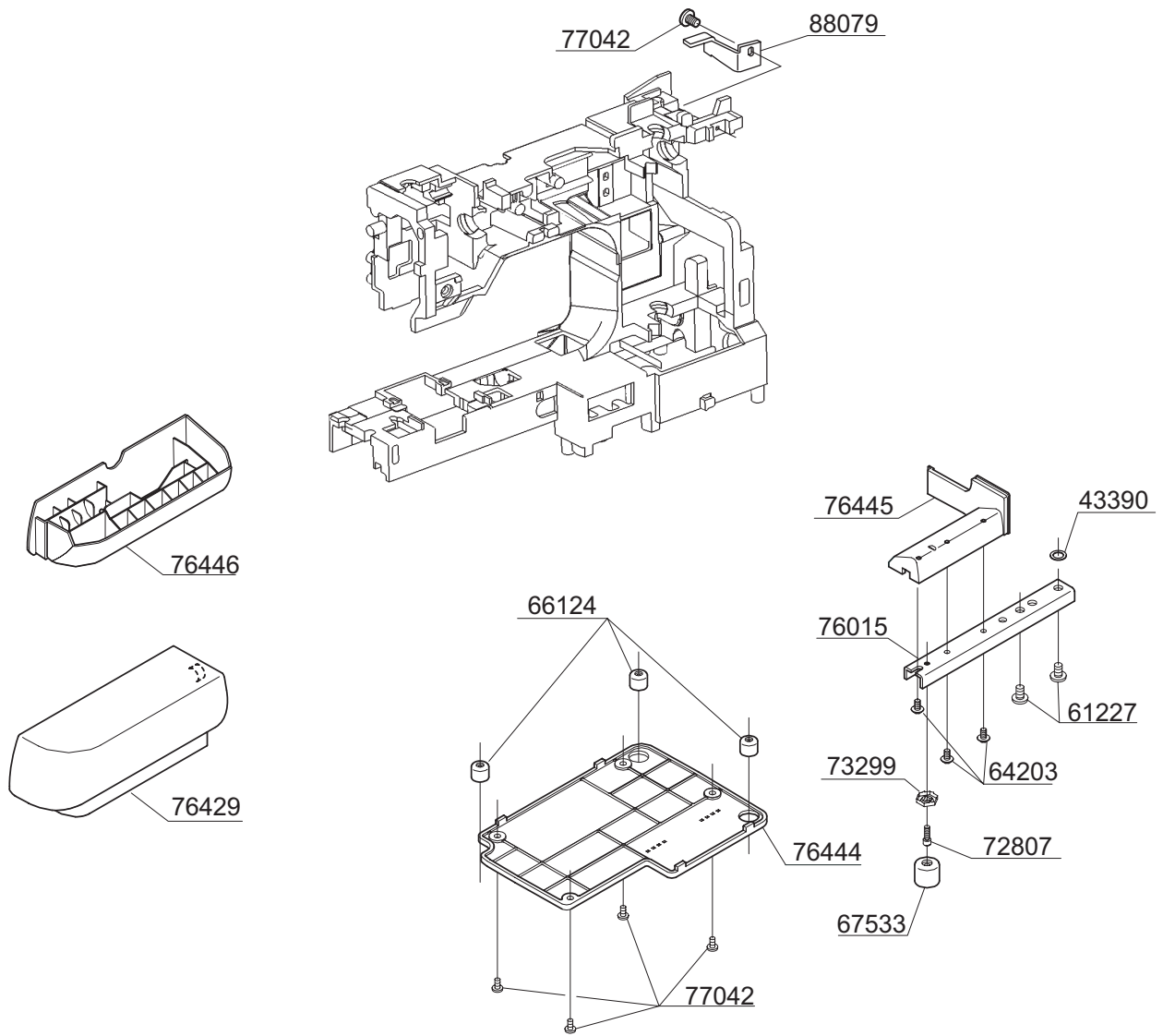


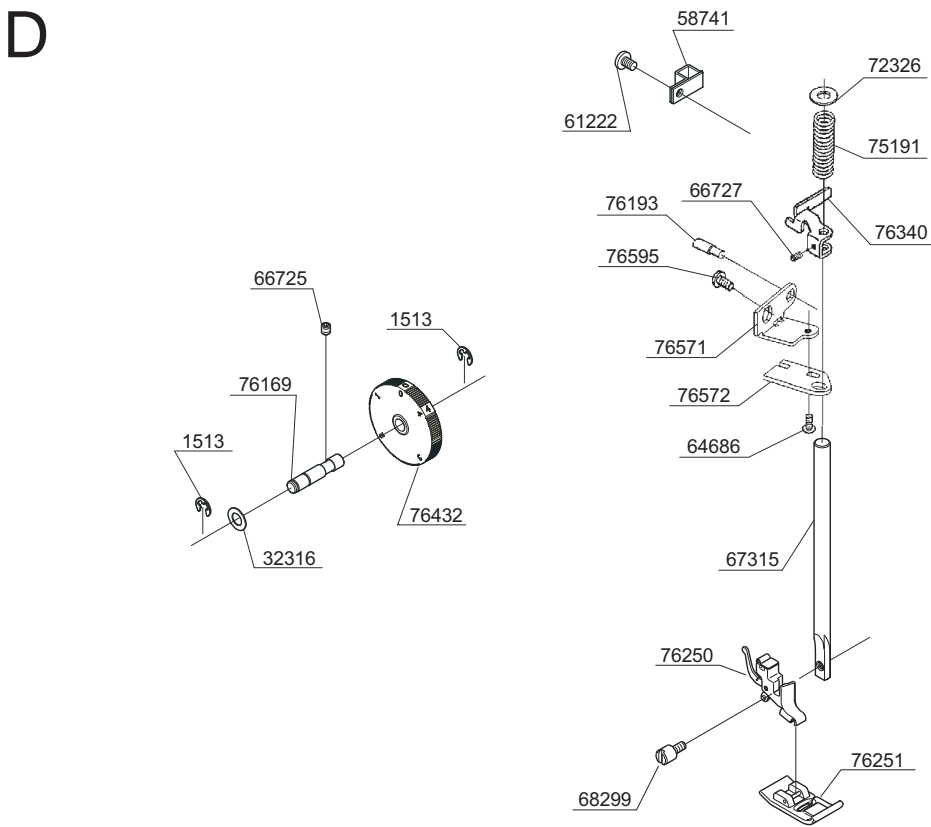
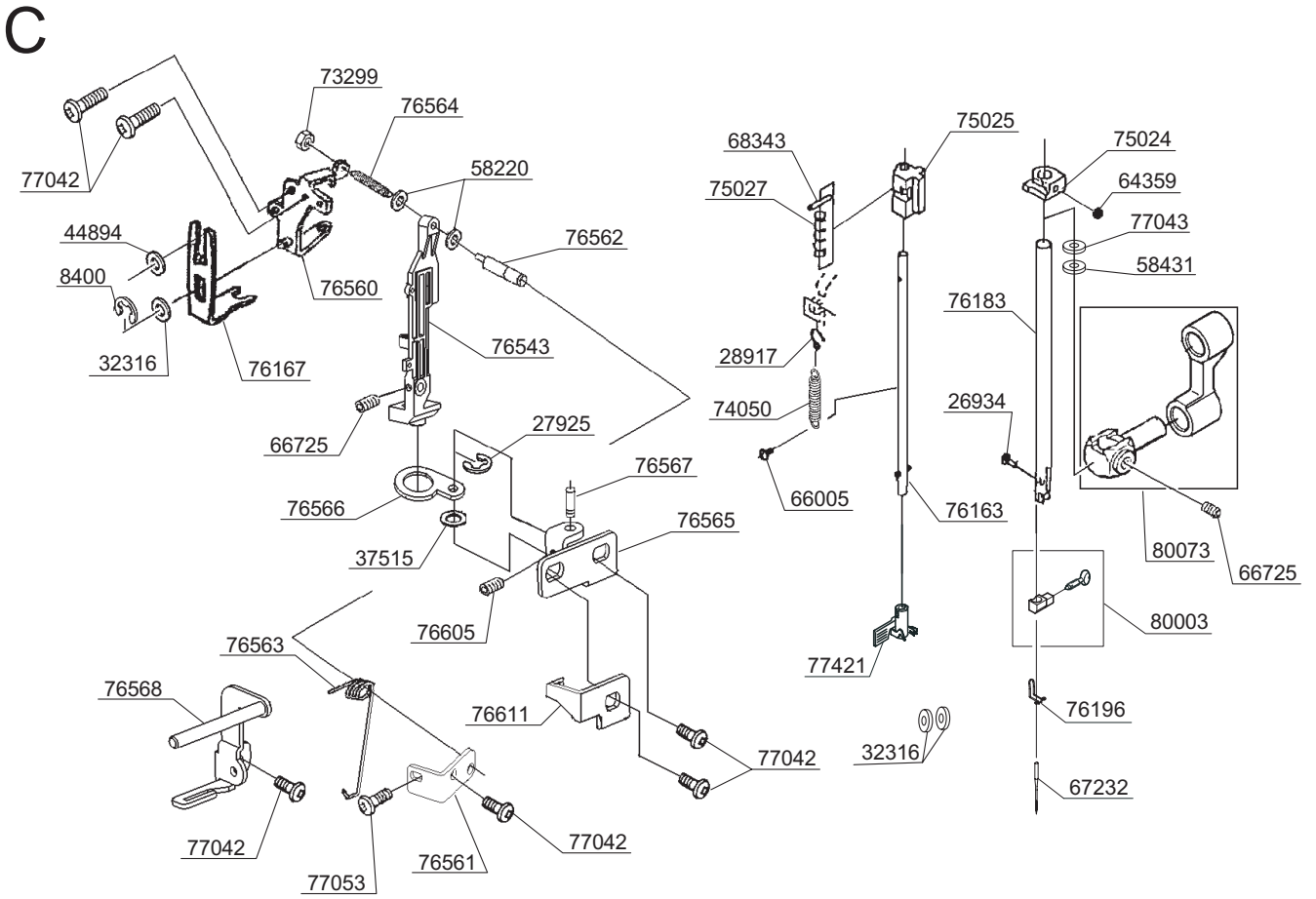
IMPORTANT:

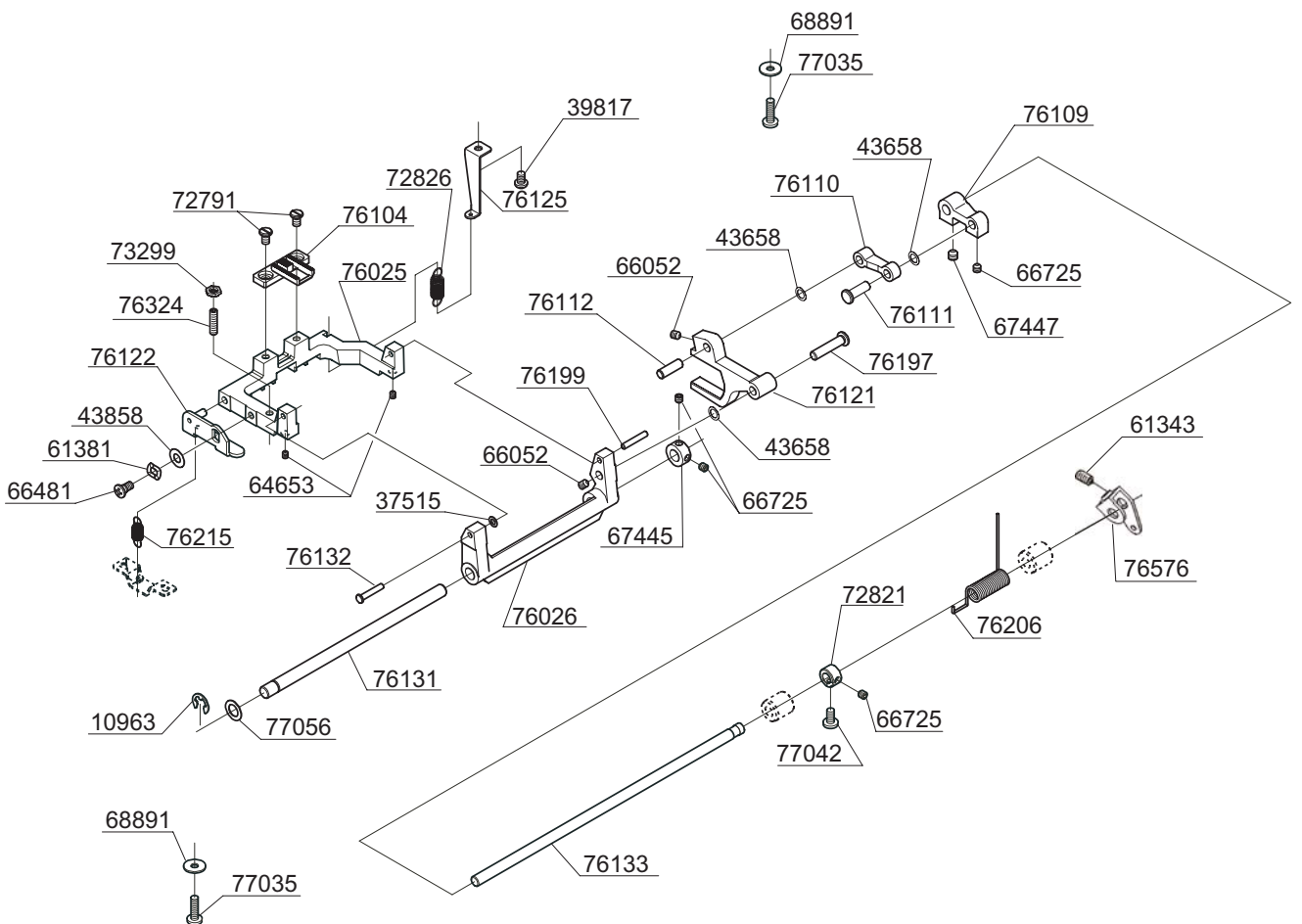
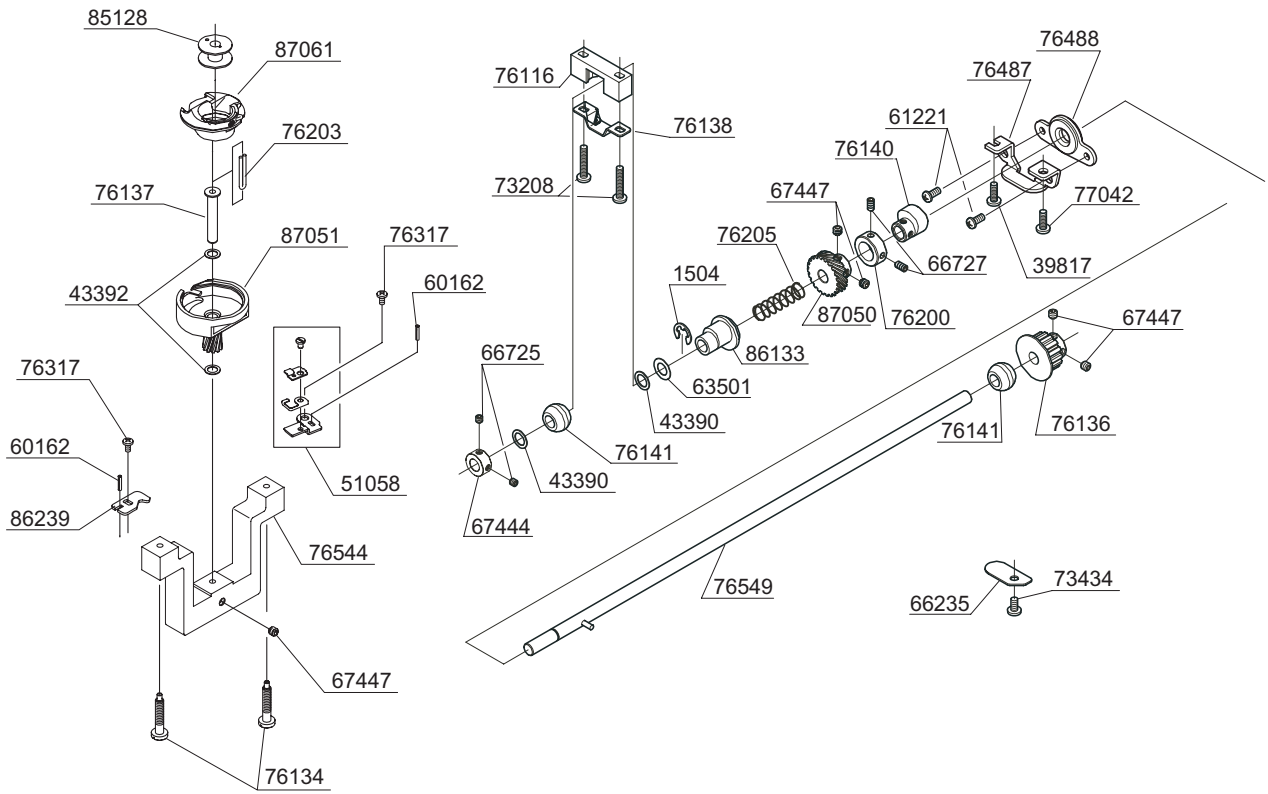
WHEN ORDERING THE PARTS ALWAYS CHECK THE SERIAL NUMBER OF THE MACHINE.

FIRST DIGIT OF THE SERIAL NUMBER MUST MATCH WITH THE LAST DIGIT OF THE FACTOR MODEL BELOW.

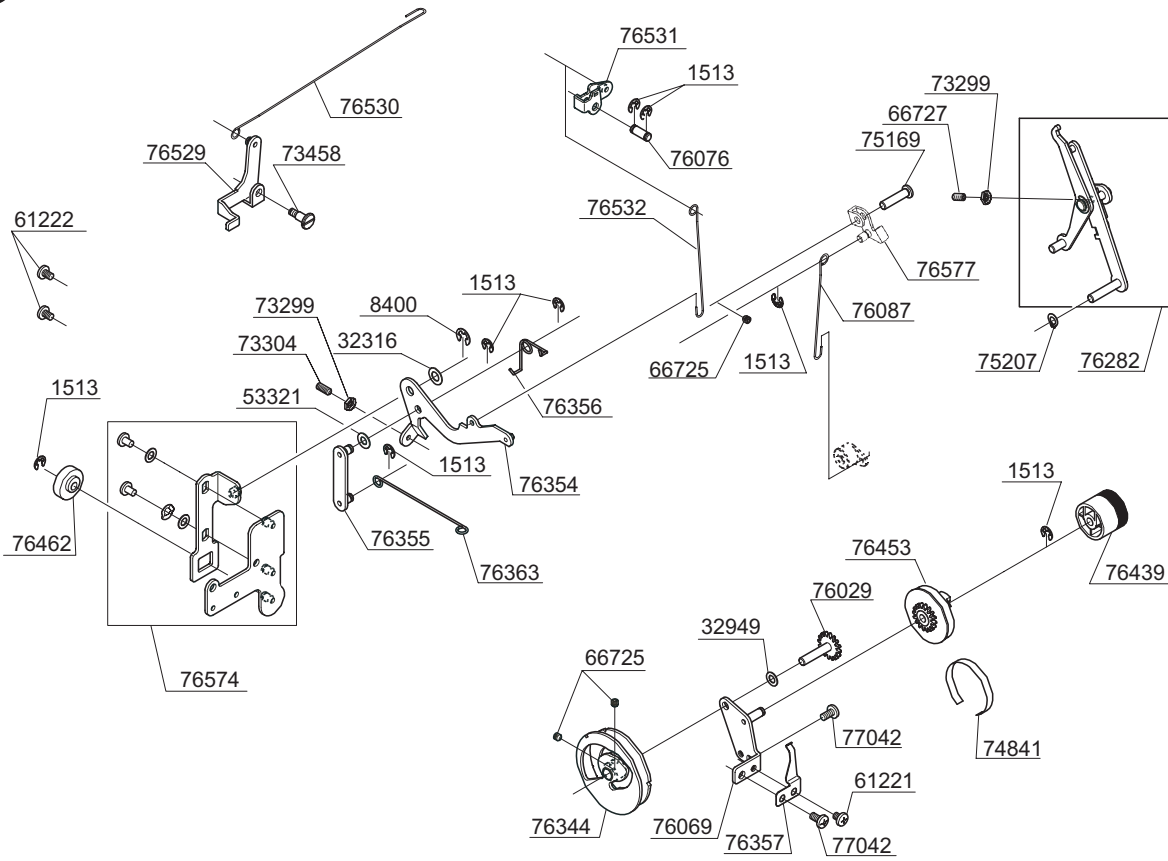
FACTORY MODEL 97864 , 978S4



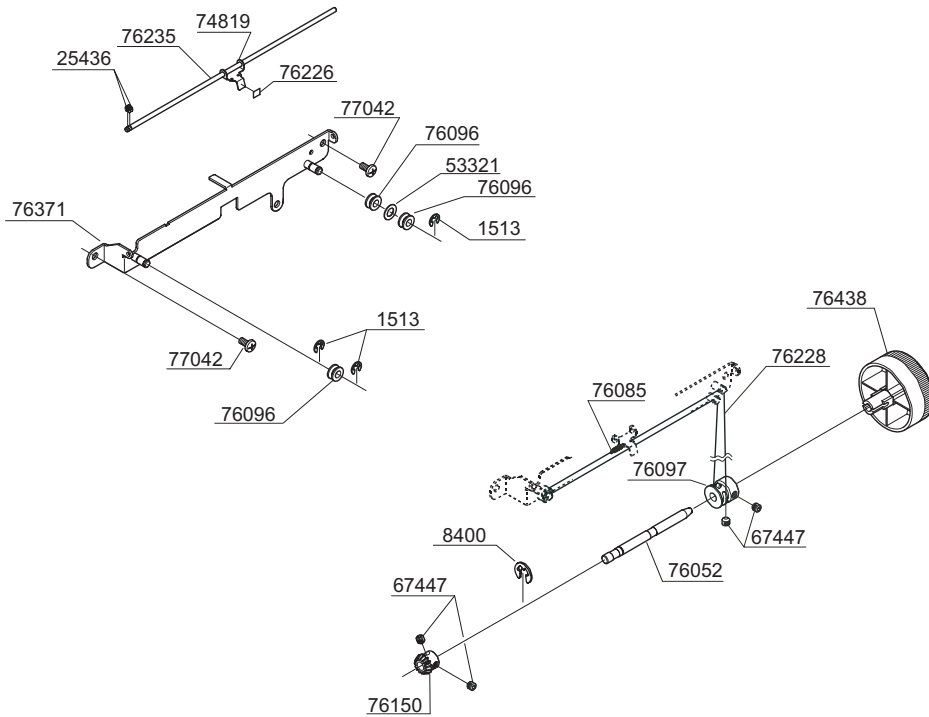


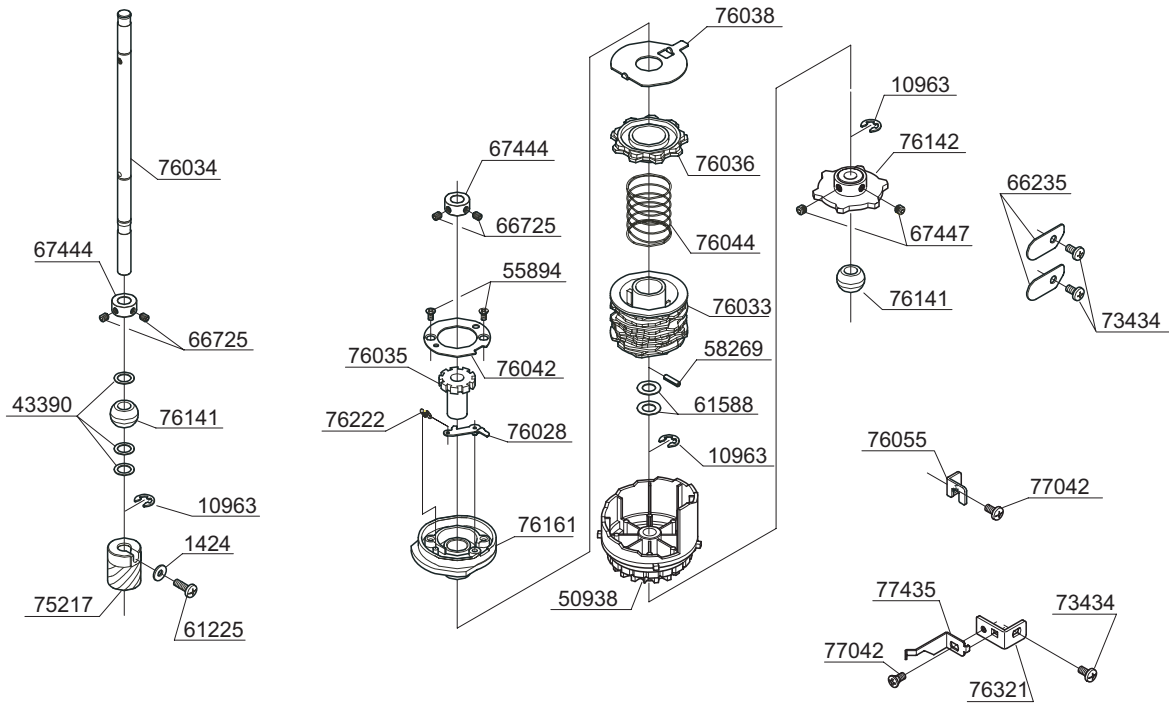


G

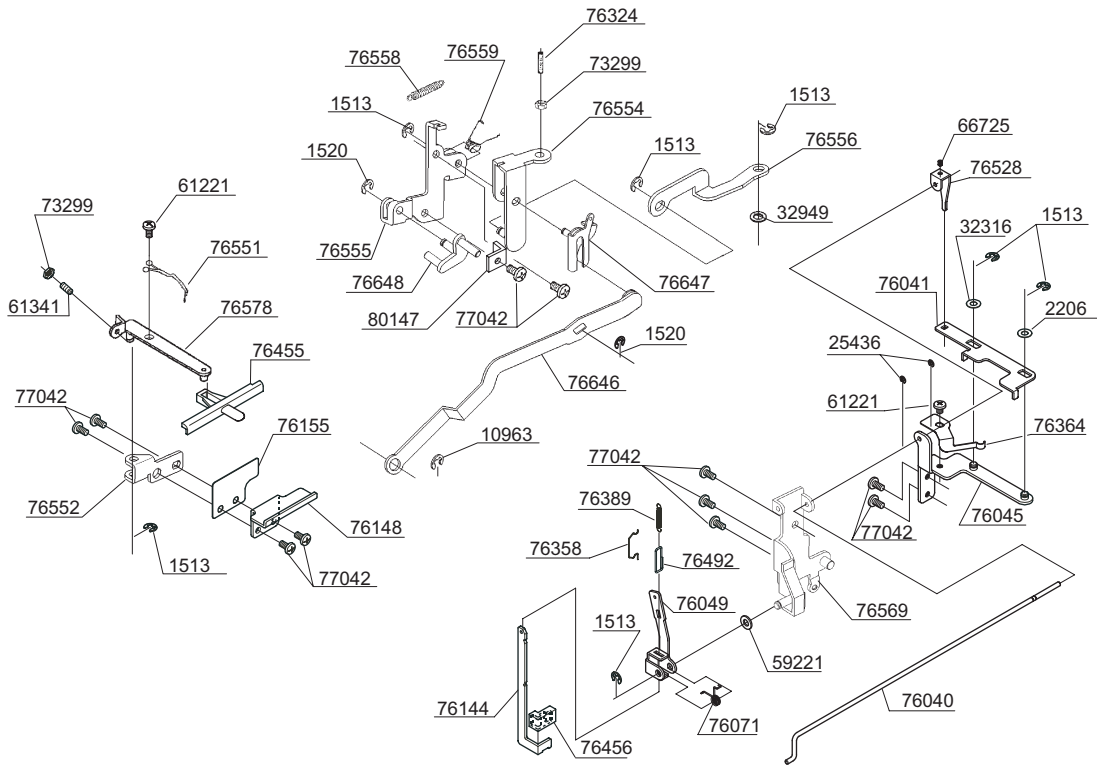


H

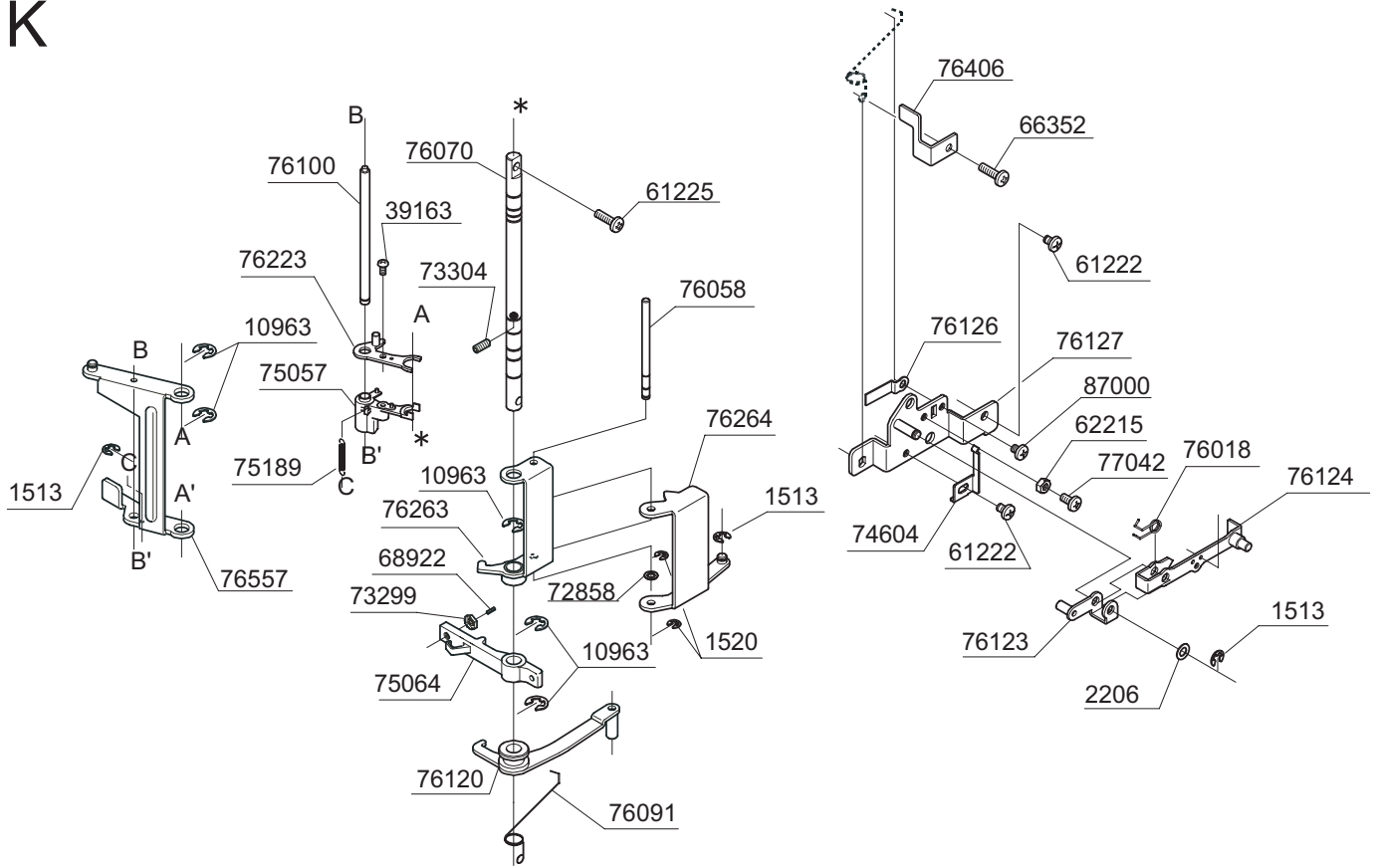




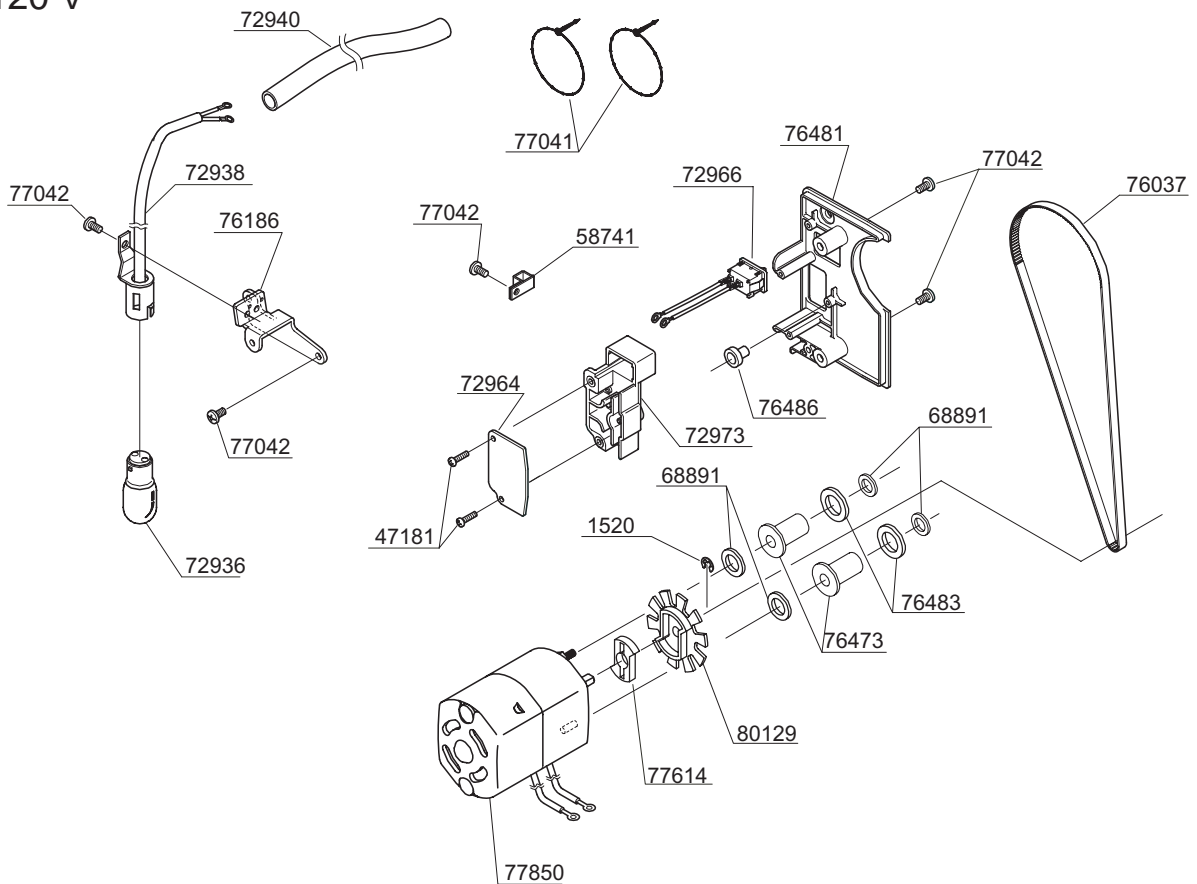
J



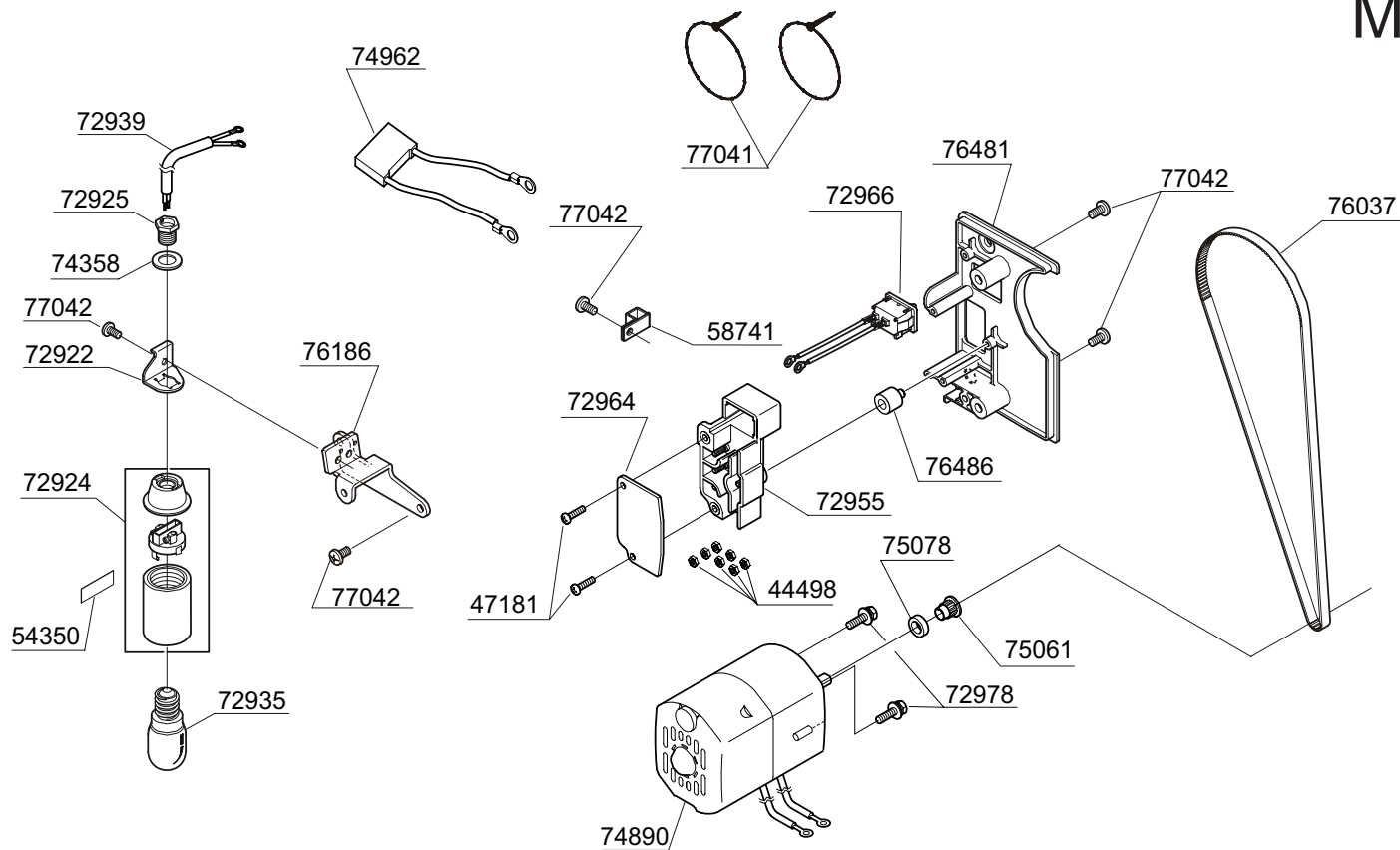
K



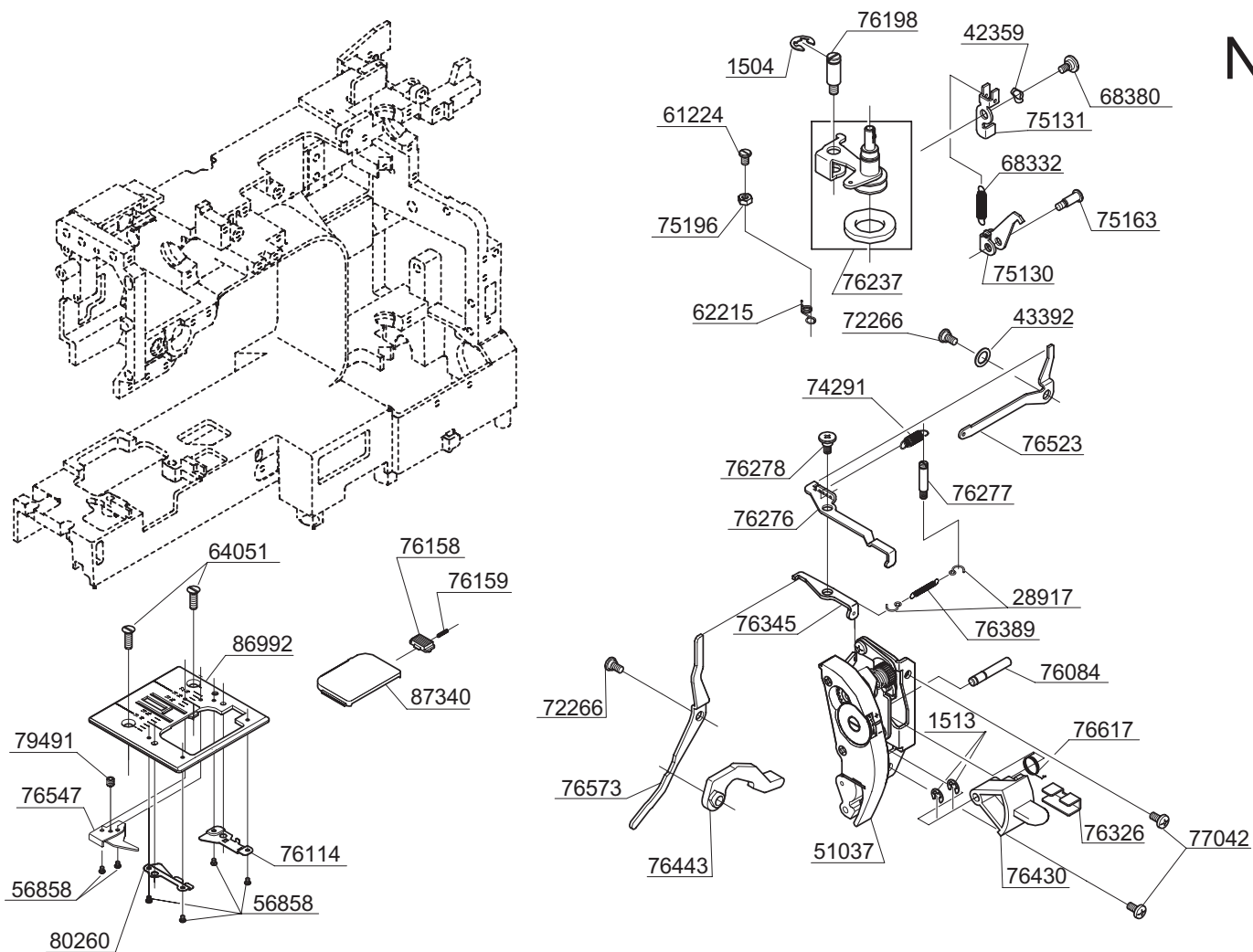
L 120 V

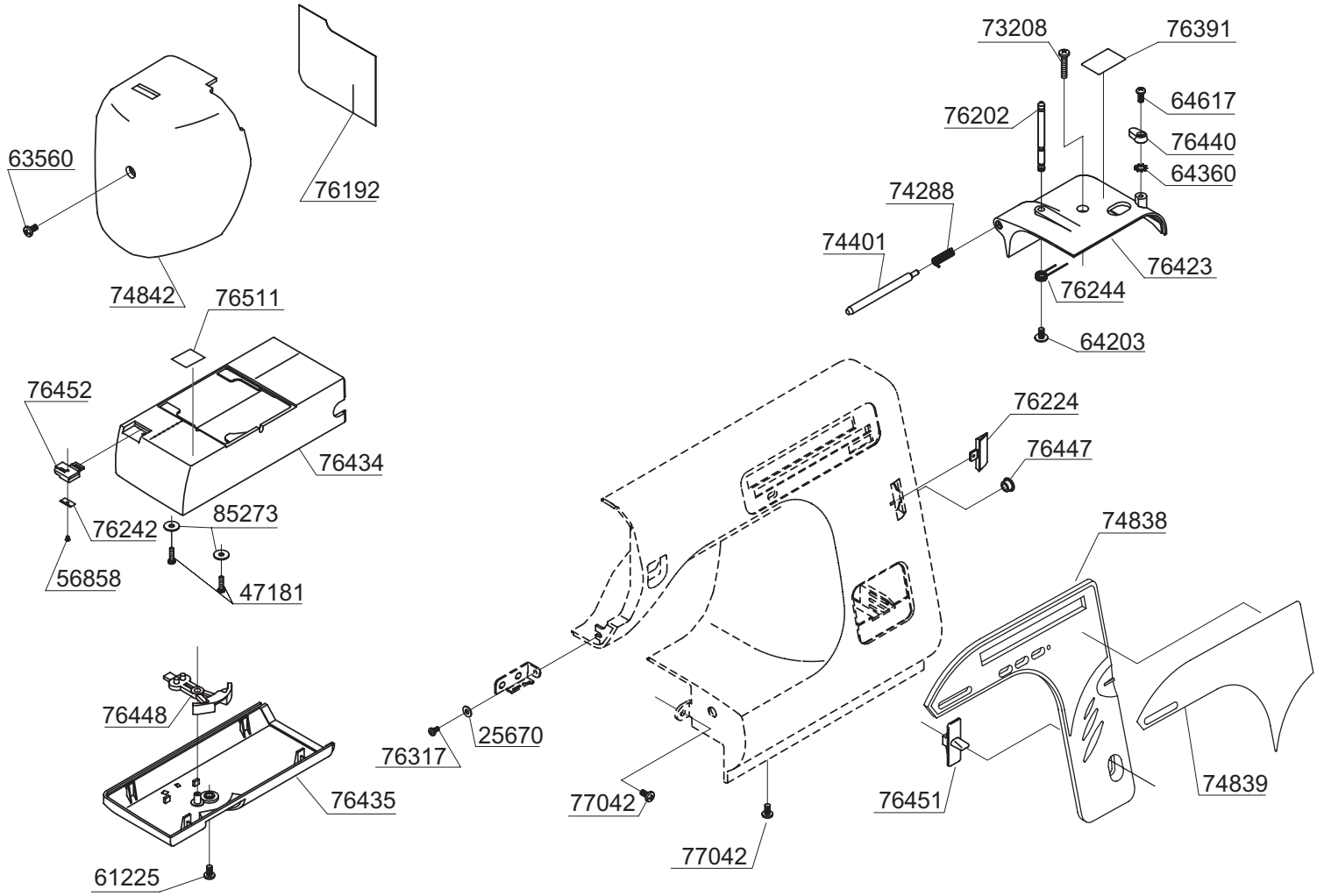


M

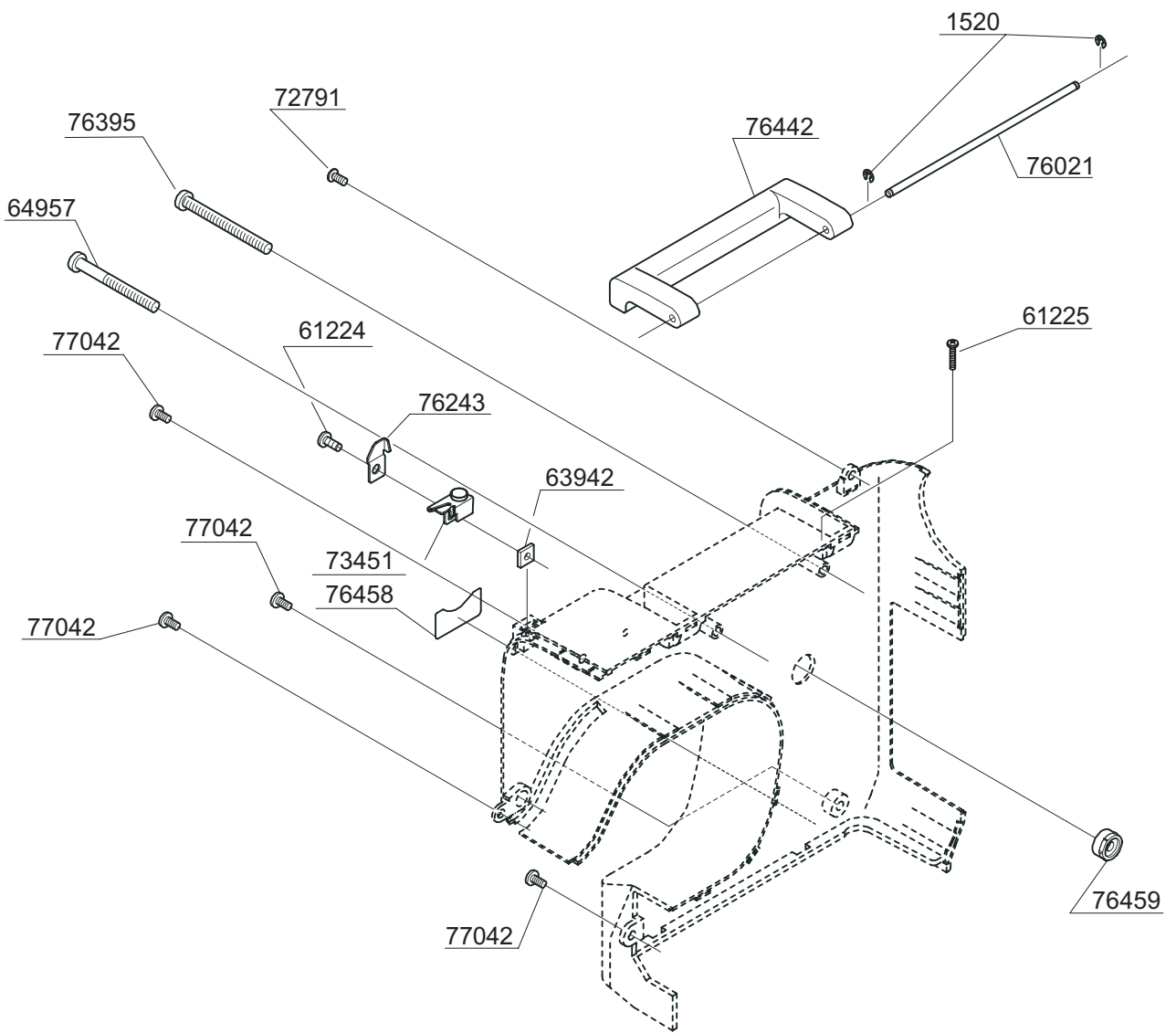


N





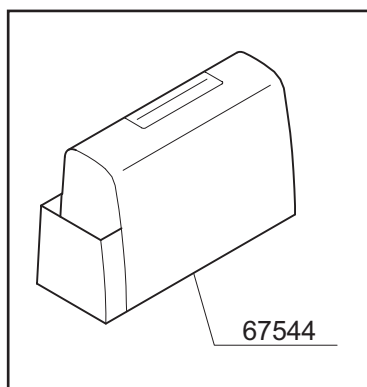
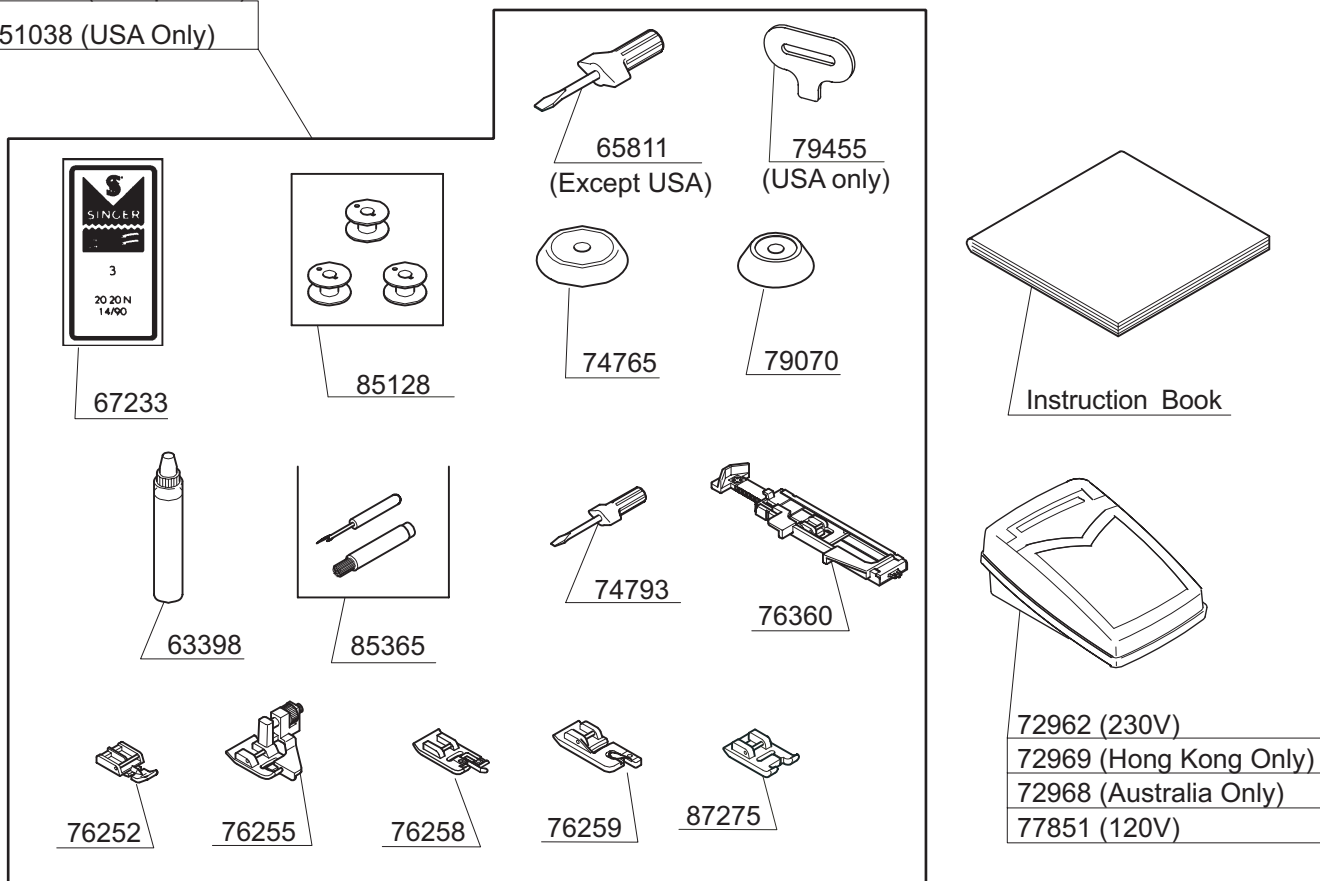
P



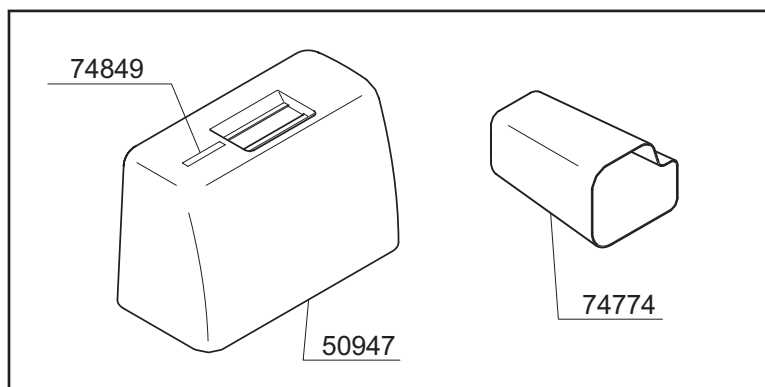
Q

50996 (Except USA)

51038 (USA Only)



USA, Czech, Australia, Russis Only



Indonesia, Hong Kong Only

Optional Accessory

PART NO.	DESCRIPTION
50947	MACHINE COVER
50996	ACCESSORY SET (Except USA)
51038	ACCESSORY SET (USA Only)
63398	SEWING MACHINE OIL
65811	LARG SCREW DRIVER (Except USA)
67233	NEEDLE
67544	MACHINE COVER
72962	FOOT CONTROL
72968	FOOT CONTROL
72969	FOOT CONTROL
74765	SPOOL PIN CAP
74774	F.C. BOX
74793	SMALL SCREW DRIVER
74849	NAME PLATE
76252	ZIPPER FOOT
76255	BLIND STITCH FOOT

PART NO.	DESCRIPTION
76258	OVERCASTING FOOT
76259	ROLLED HEMMER
76360	BUTTONHOLE FOOT
77851	FOOT CONTROL
79070	SPOOL PIN CAP
79455	LARGE SCREW DRIVER (USA Only)
82045	INSTRUCTION BOOK (Eng/Russ/Estonia)
82129	INSTRUCTION BOOK (Eng/Fre/Spa) USA Only
82169	INSTRUCTION BOOK (Eng/Fre/Spa)
85128	BOBBIN
85365	BUTTONHOLE OPENER / BRUSH
87275	SATIN FOOT

PART NO.	DESCRIPTION	PAGE	PART NO.	DESCRIPTION	PAGE
1513	E4 CLIP-ON-WASHER	A,E,J,L	66124	RUBBER FOOT	A
1424	WASHER	I,J	66235	SECURING PLATE	B,E,I
1504	E7 CLIP-ON-WASHER	E,N	66352	M4 PHILLIPS SCREW	K
1513	E4 CLIP-ON-WASHER	D,G,H,J,K,N	66437	BUSH	B
1520	E3 CLIP-ON-WASHER	J,K,L,P	66474	M5 SCREW	B
2206	WASHER	J,K	66481	M4 STUD SCREW	F
8400	E5 CLIP-ON-WASHER	B,C,G,H	66725	M4 SCREW	C,D,E,F,G,I,J
10963	E6 CLIP-ON-WASHER	B,F,I,J,K	66727	M4 SCREW	D,E,G
25436	E2 CLIP-ON-WASHER	H,J	67232	NEEDLE	C,Q
25670	WASHER	O	67268	ECCENTRIC PIN	J
26934	#8 SCREW	C	67315	PRESSER BAR	D
27925	E2.5 CLIP-ON-WASHER	C	67444	COLLAR	E,I
28917	#8 SCREW	C,N	67445	COLLAR	F
32316	WASHER	C,D,G,J	67447	M5 SCREW	B,E,F,H,I
32949	WASHER	G,J	67533	RUBBER CUSHION	A
37515	WASHER	C,F	67544	MACHINE COVER	Q
39163	TAPPING SCREW	K	68299	#7 SCREW FOR SHANK	D
39817	M4 PHILLIPS SCREW	E,F	68332	EXTENSION SPRING	N
40091	THRUST WASHER	B	68343	PIN	C
42359	CRINKLE WASHER	N	68380	M4 STUD SCREW	N
43390	THRUST WASHER	A,E,I	68891	WASHER	F,L
43392	THRUST WASHER	E,N	68922	M4 SCREW	K
43658	THRUST WASHER	F	72266	M4 STUD SCREW	N
43930	SPRING PIN	B	72326	WASHER	D
44498	M3 NUT	M	72791	M4 SCREW	F,P
44894	WASHER	C	72807	M4 STUD SCREW	A
47181	TAPPING SCREW	L,M,O	72821	COLLAR	F
50938	PATTERN SELECTING CAM	I	72826	EXTENSION SPRING	F
50947	MACHINE COVER	Q	72858	WASHER	K
50996	ACCESSORY SET (Except USA)	Q	72922	LAMP HOLDER BRACKET	M
51037	THREAD GUIDE PLATE UNIT	N	72924	LAMP HOLDER ASSEMBLY	M
51038	ACCESSORY SET (USA Only)	Q	72925	CAP BOLT	M
51058	RETAINER SET	E	72935	LIGHT BULB	M
53321	THRUST WASHER	G,H	72936	LIGHT BULB	L
54350	SEAL	M	72938	HARNESS	L
55894	TAPPING SCREW	I	72939	LAMP CORD	M
56807	TIMING BELT	B	72940	VINYL TUBE	L
56858	M2 PHILLIPS SCREW	N,O	72955	TERMINAL BLOCK	M
58220	WASHER	C	72962	FOOT CONTROL	Q
58269	SPRING PIN	I	72964	TERMINAL BLOCK COVER	L,M
58431	FIBER WASHER	B	72966	SWITCH ASSEMBLY	L,M
58431	WASHER	C	72968	FOOT CONTROL	Q
58741	CORD GUARD	D,L,M	72969	FOOT CONTROL	Q
59221	WASHER	J	72973	TERMINAL BLOCK	L
60162	KNOCK PIN	E	72978	M4 BOLT WITH WASHER	M
61221	M4 PHILLIPS SCREW	E,G,J	73208	M4 PHILLIPS SCREW	E,O
61222	M4 PHILLIPS SCREW	D,GK,N,P	73299	M4 TORQUE NUT	A,C,F,G,J,K
61225	M4 PHILLIPS SCREW	I,K,O,P	73304	M4 SCREW	G,K
61227	E6 PHILLIPS SCREW	A	73371	M6 SCREW	B
61341	M4 SCREW	J	73434	M4 PHILLIPS SCREW	B,E,I
61343	M4 SCREW	F	73451	THREAD GUIDE	P
61381	CRINKLE WASHER	F	73458	M4 STUD SCREW	G
61588	WASHER	I	74050	EXTENSION SPRING	C
62215	M4 NUT	K,N	74288	TORSION SPRING	O
63398	SEWING MACHINE OIL	Q	74291	EXTENSION SPRING	N
63501	WASHER	E	74358	WASHER	M
63560	M4 PHILLIPS SCREW	O	74389	PATTERN PANEL	O
63942	M4 SQUARE NUT	P	74401	SPOOL PIN	O
64051	M4 SCREW	N	74604	LEFT SPRING	K
64203	TAPPING SCREW	A,O	74765	SPOOL PIN CAP	Q
64359	M4 SCREW	C	74774	F.C. BOX	Q
64360	TOOTHED WASHER	O	74793	SMALL SCREW DRIVER	Q
64617	TAPPING SCREW	O	74819	INDICATOR	H
64653	M3 SCREW	F	74838	CONTROL PANEL	O
64686	M4 HEX HEADED STUD SCREW	D	74841	SEAL	G
64957	TAPPING SCREW	P	74842	FACE COVER	O
65811	LARG SCREW DRIVER (Except USA)	Q	74849	NAME PLATE	Q
66005	M2 PHILLIPS SCREW	C	74890	MOTOR	M
66052	M4 SCREW	F	74962	CONDENSER	M

PART NO.	DESCRIPTION	PAGE	PART NO.	DESCRIPTION	PAGE
75024	STOPPER	C	76124	S.S.CONTROL PLATE B	K
75025	GUIDE BLOCK	C	76125	SPRING HOOK PLATE	F
75027	COMPRESSION SPRING	C	76126	SPRING PLATE	K
75046	BELT PULLEY	B	76127	S.S.CONTROL BASE PLATE	K
75047	CLUTCH	B	76131	HORIZONTAL FEED SHAFT	F
75057	ZIGZAG GUIDE BLOCK	K	76132	SHAFT	F
75060	TAKE-UP LEVER CRANK	B	76133	FEED REGULATING SHAFT	F
75061	MOTOR PULLEY	M	76134	SCREW	E
75064	PATTERN SELECTING CAM CLAW	K	76135	BELT PULLEY	B
75072	BALL BUSHING	B	76136	BELT METAL	E
75078	MOTOR PULLEY FLANGE	M	76137	SHUTTLE RACE SHAFT	E
75130	RATCHET A	N	76138	SECURING PLATE	E
75131	RATCHET B	N	76140	FEED REGULATING	E
75139	WASHER	B	76141	BALL METAL	E,I
75158	COLLAR	B	76142	STRETCH STITCH CAM	I
75163	M4 STUD SCREW	N	76144	BH FUNCTIONING PLATE	J
75169	HEADED PIN	G	76148	ZZ LEVER BASE	J
75179	M5 SCREW	B	76150	BEVEL GEAR	H
75182	COLLAR	B	76155	TORQUE SPRING	J
75189	EXTENSION SPRING	K	76158	RELEASE LEVER	N
75191	COMPRESSION SPRING	D	76159	COMPRESSION LEVER	N
75194	TORSION SPRING	B	76161	BH CAM	I
75196	TORSION SPRING	N	76163	THREADER SHAFT SET	C
75207	CS-CLIP	B,G	76165	BALANCER	B
75217	WORM GEAR	I	76167	DARNING CONTROL PLATE	C
76015	LEG	A	76169	STRAIGHT PIN	D
76018	TORSION SPRING A	K	76182	TAKE-UP LEVER	B
76021	HANDLE STUD	P	76183	NEEDLE BAR	C
76025	FEED DOG BASE	F	76184	MAIN SHAFT	B
76026	FEED REGULATING BRACKET	F	76186	LAMP BASE PLATE	L,M
76028	BH NOTCH	I	76192	REFLECTING SHEET	O
76029	PINION SHAFT	G	76193	M4 STUD SCREW	D
76033	PATTERN CAM	I	76196	THREAD GUIDE	C
76034	CAM SHAFT	I	76197	HEADED PIN	F
76035	PINION	I	76198	SCREW WITH SHAFT	N
76036	BH WIDTH CAM	I	76199	PIN	F
76037	MOTOR BELT	L,M	76200	COLLAR	E
76038	BH RING PLATE	I	76202	SPOOL PIN	O
76040	BH CONNECTING ROD A	J	76203	OILING CORD	E
76041	BH SLIDE PLATE A	J	76205	TORSION SPRING	E
76042	BH CAP	I	76206	TORSION SPRING	F
76044	COMPRESSION SPRING	I	76215	SPRING	F
76045	BH SECURING PLATE	J	76222	SPRING	I
76049	BH CHANGEOVER LEVER	J	76223	PATTERN REGULATING PLATE	K
76052	SHAFT	H	76224	STITCH LENGTH INDICATOR	O
76055	RING STOPPER	I	76226	SEAL	H
76058	STRAIGHT SHAFT	K	76228	STRING (TETRON)	H
76069	SECURING SHAFT PLATE	G	76235	STRAIGHT PIN	H
76070	GUIDE SHAFT A	K	76237	BOBBIN WINDER COMPLETE	N
76071	TORSION SPRING	J	76242	BLADE	O
76076	PIN	G	76243	THREAD GUIDE PLATE	P
76084	STRAIGHT PIN	N	76244	TORSION SPRING	O
76085	SPRING	H	76250	PRESSER FOOT HOLDER	D
76087	R. CONNECTING ROD C	G	76251	ZIGZAG PRESSER FOOT	D
76091	TORSION SPRING	K	76252	ZIPPER FOOT	Q
76096	ROLLER	H	76255	BLIND STITCH FOOT	Q
76097	INDICATOR DRIVER PULLEY	H	76258	OVERCASTING FOOT	Q
76100	GUIDE SHAFT B	K	76259	ROLLED HEMMER	Q
76104	FEED DOGS	F	76263	BH FEED REGULATING PLATE	K
76109	FEED REGULATING LINK R.	F	76264	BH FEED PLATE	K
76110	FEED REGULATING LINK L.	F	76276	AUTO-TENSION PLATE B	N
76111	HEADED PIN	F	76277	STUD SCREW	N
76112	PIN	F	76278	STUD SCREW	N
76114	COVER GUIDE (R)	N	76282	S.S. CHANGING LINK ASSEMBLY	G
76116	BALL METAL GUIDE	E	76317	M3 PHILLIPS SCREW	E,O
76120	S.STITCH CAM FOLLOWER	K	76321	BRACKET	I
76121	FEED REGULATING ARM	F	76324	M4 SCREW	F,J
76122	FEED BASE ADJUSTMENT	F	76326	PROTECTION PLATE	N
76123	S.S.CONTROL PLATE A	K	76340	PRESSER BAR BLOCK	D

PART NO.	DESCRIPTION	PAGE	PART NO.	DESCRIPTION	PAGE
76344	STITCH LENGTH CONTROL CAM	G	76562	SHAFT	C
76345	TENSION RELEASE LEVER B	N	76563	TORSION SPRING	C
76354	FEED CONTROL LINK A	G	76564	EXTENSION SPRING	C
76355	FEED CONTROL LINK B	G	76565	LOWER SUPPORT PLATE	C
76356	TORSION SPRING	G	76566	SUPPORT RING	C
76357	LEAF SPRING	G	76567	PIN	C
76358	NOTCH SPRING	J	76568	LOWER THREAD GUIDE	C
76360	BUTTONHOLE FOOT	Q	76569	BH SECURING PLATE	J
76363	BH WIRE ROD	G	76571	PRESSER BAR GUIDE SECURING PLATE	D
76364	PLATE SPRING	J	76572	PRESSER BAR GUIDE PLATE	D
76366	CRANK SHAFT	B	76573	TENSION RELEASE LEVER A	N
76371	INDICATOR GUIDE PLATE	H	76573	TENSION RELEASE LEVER A	N
76389	EXTENSION SPRING	J,N	76574	BH CONTROL PLATE SET	G
76391	SEAL	O	76576	FEED CONTROL LINK	F
76395	TAPPING SCREW	P	76577	FEED CONTROL ARM	G
76406	LIMITING PLATE	K	76578	ZZ CONTROL PLATE	J
76423	SPOOL STAND	O	76595	M8 SCREW	D
76429	EXTENSION TABLE	A	76605	M3 SCREW	C
76430	REVERSE STITCH LEVER	N	76611	STOPPER	C
76432	PRESSER CONTROL DIAL	D	76617	TORSION SPRING	N
76434	BED COVER	O	76646	ZIGZAG GUIDE BAR ASSEMBLY	J
76435	BOTTOM COVER	O	76647	ZZ CONTROL BLOCK	J
76438	PATTERN SELECTING DIAL	H	76648	ZZ CONTROL CRANK	J
76439	STITCH LENGTH CONTROL	G	76688	SHAFT	B
76440	BOBBIN WINDER LATCH	O	77035	M4 PHILLIPS SCREW	B
76442	HANDLE	P	77035	M4 PHILLIPS SCREW	F
76443	PRESSURE BAR LIFTER	N	77041	UNITY FASTENER	L,M
76444	BOTTOM COVER	A	77042	M4 PHILLIPS SCREW	A,B,C,E,F,G,H,I,J,L,M,NO,P
76445	LEG COVER	A	77043	FELT	C
76446	ACCESSORY BOX	A	77053	M3 PHILLIPS SCREW	C
76447	ARM CAP	O	77056	WASHER	F
76448	DROP KNOB	O	77070	SPIRAL GEAR	B
76451	KNOB	O	77421	THREADER ASSEMBLY	C
76452	BLADE FIXTURE	O	77435	LEAF SPRING	I
76453	DIAL INDICATOR	G	77614	MOTOR PULLEY FLANGE	L
76455	ZZ LEVER	J	77850	MOTOR	L
76456	BH LEVER CAP	J	77851	FOOT CONTROL	Q
76458	BUTTONHOLE SEAL	P	79070	SPOOL PIN CAP	Q
76459	BH FINE TUNING DIAL	P	79455	LARGE SCREW DRIVER (USA Only)	Q
76462	ECCENTRIC CAM	G	79491	SCREW	N
76473	BUSH	L	80003	NEEDLE CLAMP SET	C
76481	TERMINAL COVER	L,M	80073	NEEDLE BAR CRANK SET	C
76483	WASHER	L	80129	MOTOR PULLEY	L
76486	PIN	L,M	80147	STOPPER	J
76487	LOWER SHAFT GUIDE BRACKET	E	80260	COVER GUIDE (L)	N
76488	LOWER SHAFT GUIDE	E	82045	INSTRUCTION BOOK (Eng/Russ/Estonia)	Q
76492	HOOK FOR SPRING	J	82129	INSTRUCTION BOOK (Eng/Fre/Spa) USA Only	Q
76494	HAND WHEEL	B	82169	INSTRUCTION BOOK (Eng/Fre/Spa)	Q
76511	SEAL	O	85128	BOBBIN	E,Q
76523	AUTO-TENSION PLATE A	N	85138	TENSION ROLLER	B
76528	BH CHANGE LEVER B	J	85273	WASHER	O
76529	R. FUNCTION PLATE	G	85365	BUTTONHOLE OPENER / BRUSH	Q
76530	CONNECTING ROD A	G	86133	FEED LIFTING CAM	E
76531	R. LINK PLATE	G	86239	BOBBIN CASE STOPPER	E
76532	R. CONNECTING ROD B	G	86992	NEEDLE PLATE	N
76543	SUPPORT BRACKET	C	87000	M4 PHILLIPS SCREW	K
76544	SHUTTLE RACE BASE	E	87050	BEVEL GEAR	E
76547	THREAD CONTROL PLATE	N	87051	SHUTTLE RACE	E
76549	LOWER SHAFT	E	87061	BOBBIN CASE	E
76551	TORSION SPRING	J	87275	SATIN FOOT	Q
76552	ZZ LEVER SECURING PLATE	J	87340	SHUTTLE RACE COVER	N
76554	ZZ ADJUSTING PLATE	J	88040	TENSIONING PULLEY BASE	B
76555	ZZ SECURING PLATER	J	88079	BLACKET	A
76556	ZZ CONTROL ARM	J			
76557	GUIDE PLATE	K			
76558	EXTENSION SPRING	J			
76559	TORSION SPRING	J			
76560	DARNING SUPPORT PLATE	C			
76561	UPPER SUPPORT PLATE	C			