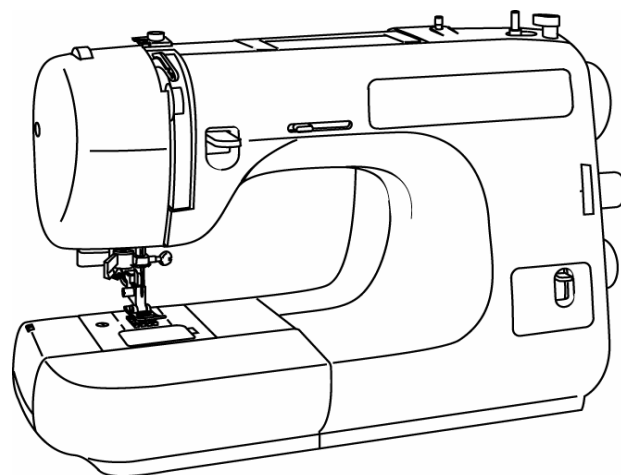


REFER TO IMPORTANT NOTICE BELOW

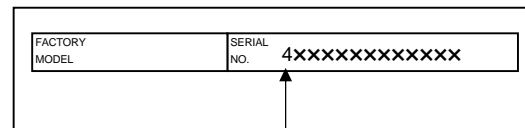
PARTS LIST FOR Model 2639



IMPORTANT:

WHEN ORDERING THE PARTS
ALWAYS CHECK THE SERIAL
NUMBER OF THE MACHINE.

FIRST DIGIT OF THE SERIAL
NUMBER MUST MATCH WITH
THE LAST DIGIT OF THE FACTOR
MODEL ABOVE.

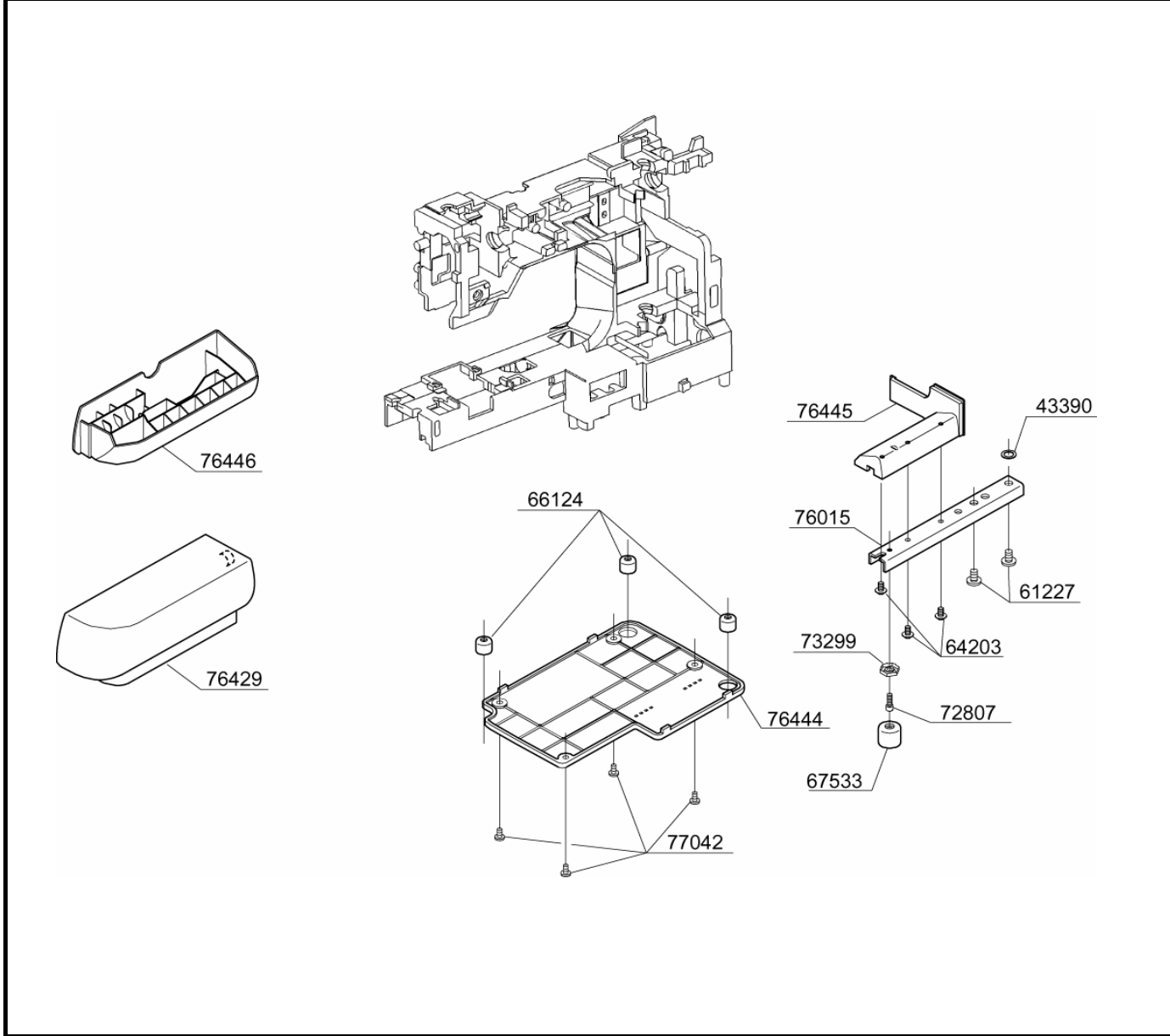


FIRST DIGIT

SINGER® | Protégé™

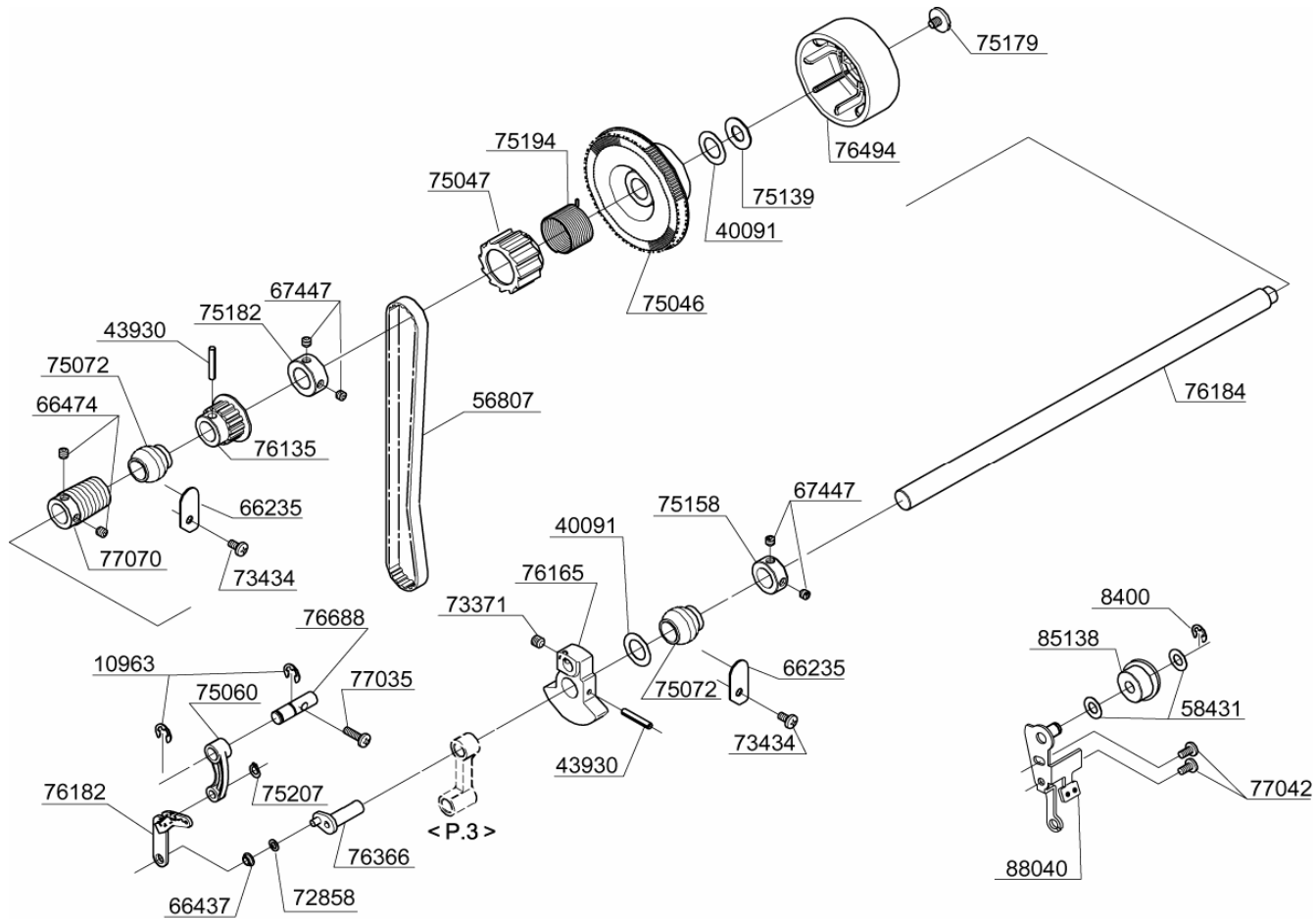
BUYER'S MODEL NO.	2639	SECTION	PAGE	REVISION	REMARKS
BUYER'S MODEL NAME			1		
FACTORY MODEL	CB97864				
ORIGINAL ISSUE	November, 200	SERIAL NO.			

PART NO.	DESCRIPTION
43390	THRUST WASHER
61227	E6 PHILLIPS SCREW
64203	TAPPING SCREW
66124	RUBBER FOOT
67533	RUBBER CUSHION
72807	M4 STUD SCREW
73299	M4 TORQUE NUT
76015	LEG
76429	EXTENSION TABLE
76444	BOTTOM COVER
76445	LEG COVER
76446	ACCESSORY BOX
77042	M4 PHILLIPS SCREW

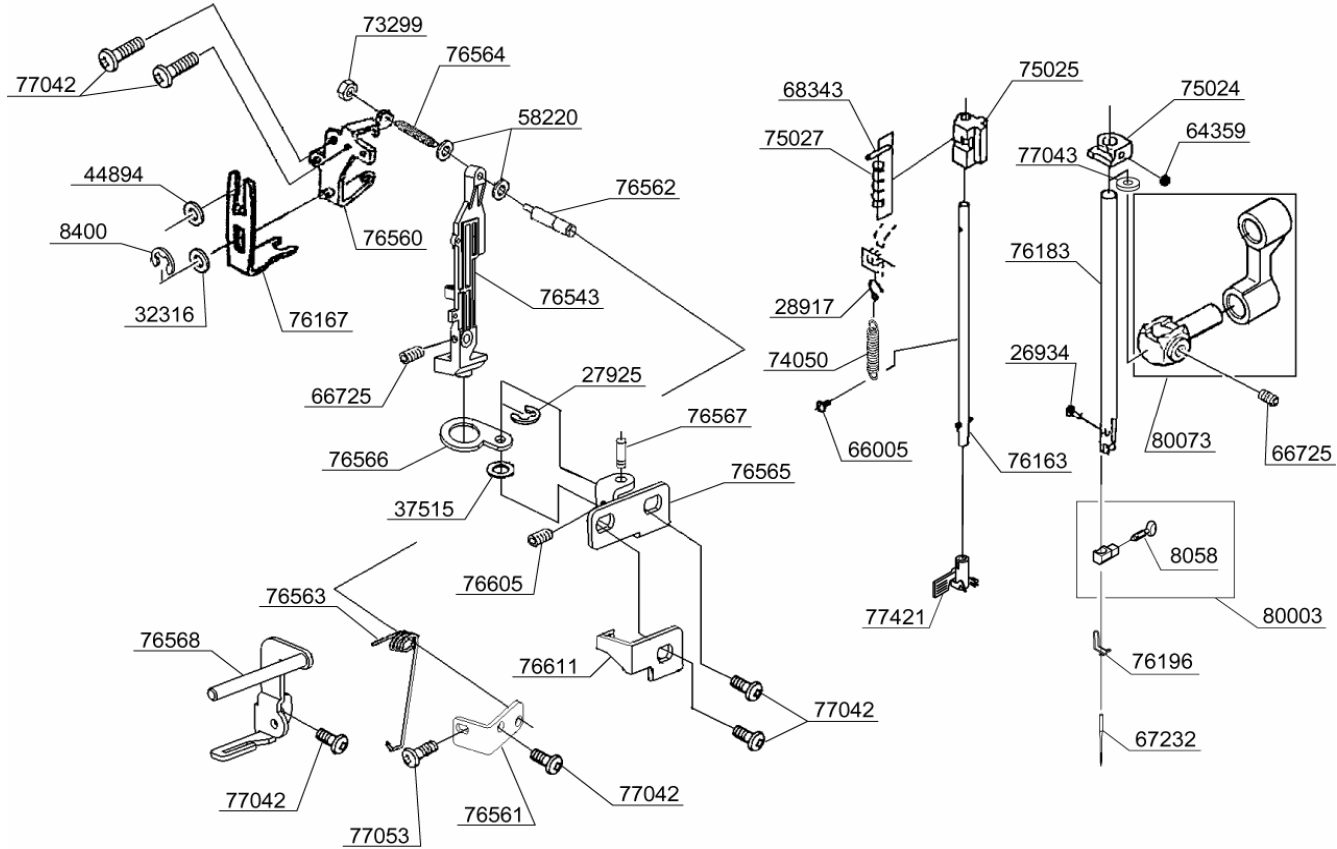


BUYER'S MODEL NO.	2639	SECTION	PAGE	REVISION	REMARKS
BUYER'S MODEL NAME			2		
FACTORY MODEL	CB97864				
ORIGINAL ISSUE	November, 200	SERIAL NO.			

PART NO.	DESCRIPTION
8400	E5 CLIP-ON-WASHER
10963	E6 CLIP-ON-WASHER
40091	THRUST WASHER
43930	SPRING PIN
56807	TIMING BELT
58431	FIBER WASHER
66235	SECURING PLATE
66437	BUSH
66474	M5 SCREW
67447	M5 SCREW
72858	WASHER
73371	M6 SCREW
73434	M4 PHILLIPS SCREW
75046	BELT PULLEY
75047	CLUTCH
75060	TAKE-UP LEVER CRANK
75072	BALL BUSHING
75139	WASHER
75158	COLLAR
75179	M5 SCREW
75182	COLLAR
75194	TORSION SPRING
75207	CS-CLIP
76135	BELT PULLEY
76165	BALANCER
76182	TAKE-UP LEVER
76184	MAIN SHAFT
76366	CRANK SHAFT
76494	HAND WHEEL
76688	SHAFT
77035	M4 PHILLIPS SCREW
77042	M4 PHILLIPS SCREW
77070	SPIRAL GEAR
85138	TENSION ROLLER
88040	TENSIONING PULLEY BASE



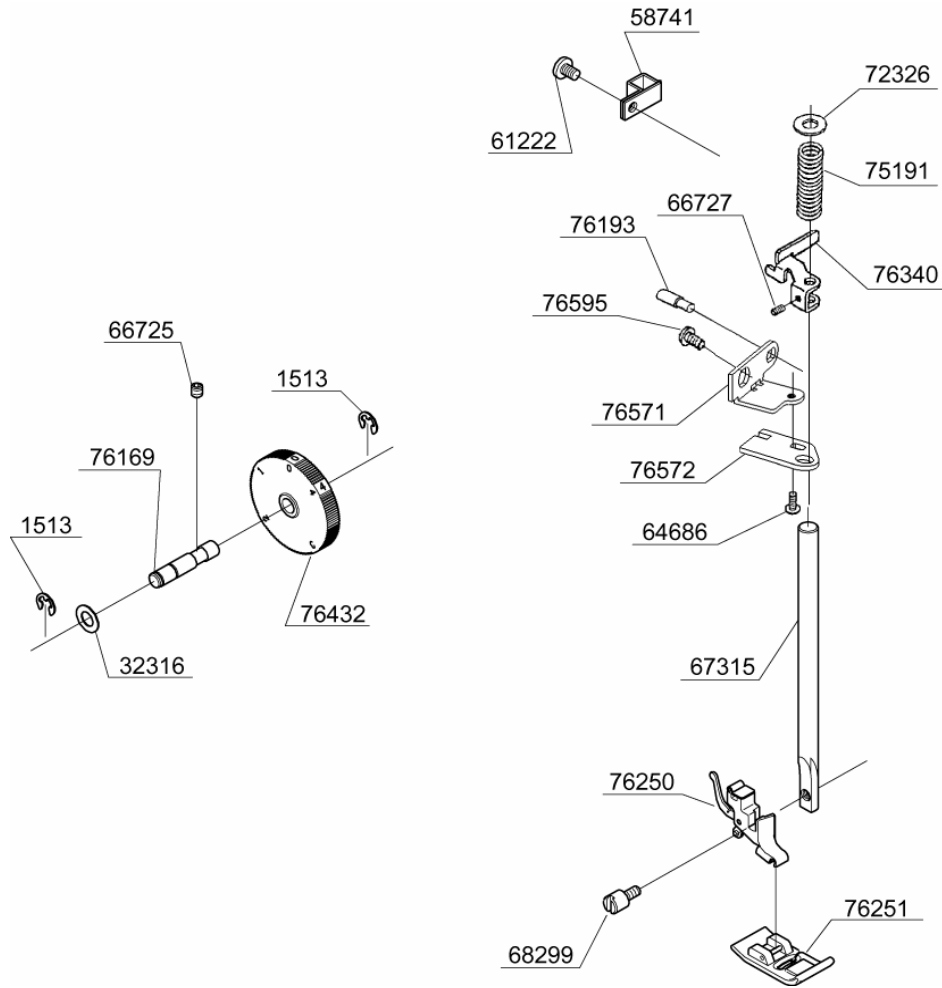
BUYER'S MODEL NO.	2639	SECTION	PAGE	REVISION	REMARKS
BUYER'S MODEL NAME			3		
FACTORY MODEL	CB97864				
ORIGINAL ISSUE	November, 200	SERIAL NO.			



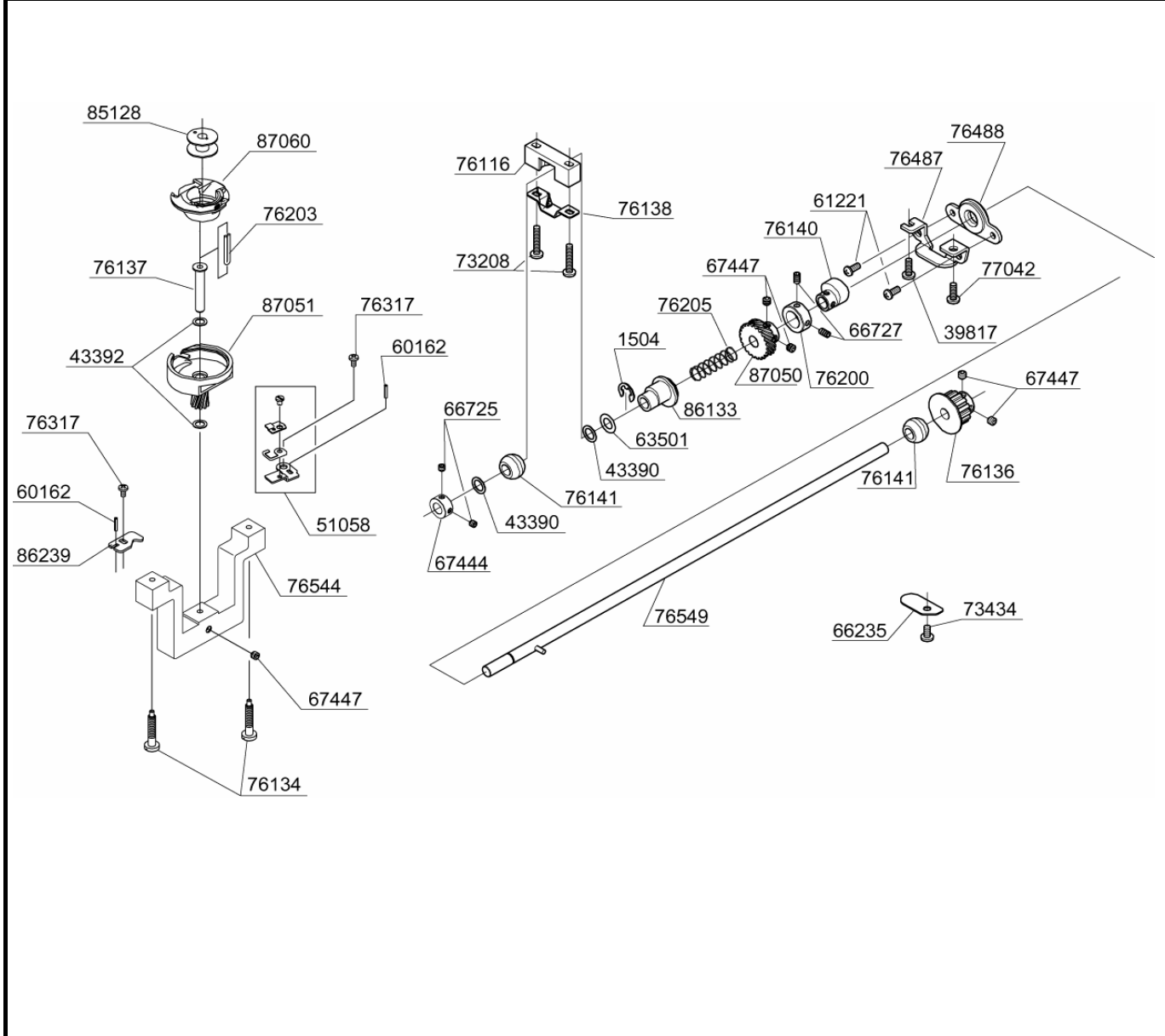
PART NO.	DESCRIPTION
8058	NEEDLE CLAMP SCREW
8400	E5 CLIP-ON-WASHER
26934	#8 SCREW
27925	E2.5 CLIP-ON-WASHER
28917	#8 SCREW
32316	WASHER
37515	WASHER
44894	WASHER
58220	WASHER
64359	M4 SCREW
66005	M2 PHILLIPS SCREW
66725	M4 SCREW
67232	NEEDLE
68343	PIN
73299	M4 TORQUE NUT
74050	EXTENSION SPRING
75024	STOPPER
75025	GUIDE BLOCK
75027	COMPRESSION SPRING
76163	THREADER SHAFT SET
76167	DARNING CONTROL PLATE
76183	NEEDLE BAR
76196	THREAD GUIDE
76543	SUPPORT BRACKET
76560	DARNING SUPPORT PLATE
76561	UPPER SUPPORT PLATE
76562	SHAFT
76563	TORSION SPRING
76564	EXTENSION SPRING
76565	LOWER SUPPORT PLATE
76566	SUPPORT RING
76567	PIN
76568	LOWER THREAD GUIDE
76605	M3 SCREW
76611	STOPPER
77042	M4 PHILLIPS SCREW
77043	FELT
77053	M3 PHILLIPS SCREW
77421	THREADER ASSEMBLY
80003	NEEDLE CLAMP SET
80073	NEEDLE BAR CRANK SET

BUYER'S MODEL NO.	2639	SECTION	PAGE	REVISION	REMARKS
BUYER'S MODEL NAME			4		
FACTORY MODEL	CB97864				
ORIGINAL ISSUE	November, 200	SERIAL NO.			

PART NO.	DESCRIPTION
1513	E4 CLIP-ON-WASHER
32316	WASHER
58741	CORD GUARD
61222	M4 PHILLIPS SCREW
64686	M4 HEX HEADED STUD SCREW
66725	M4 SCREW
66727	M4 SCREW
67315	PRESSER BAR
68299	#7 SCREW FOR SHANK
72326	WASHER
75191	COMPRESSION SPRING
76169	STRAIGHT PIN
76193	M4 STUD SCREW
76250	PRESSER FOOT HOLDER
76251	ZIGZAG PRESSER FOOT
76340	PRESSER BAR BLOCK
76432	PRESSER CONTROL DIAL
76571	PRESSER BAR GUIDE SECURING PLATE
76572	PRESSER BAR GUIDE PLATE
76595	M8 SCREW



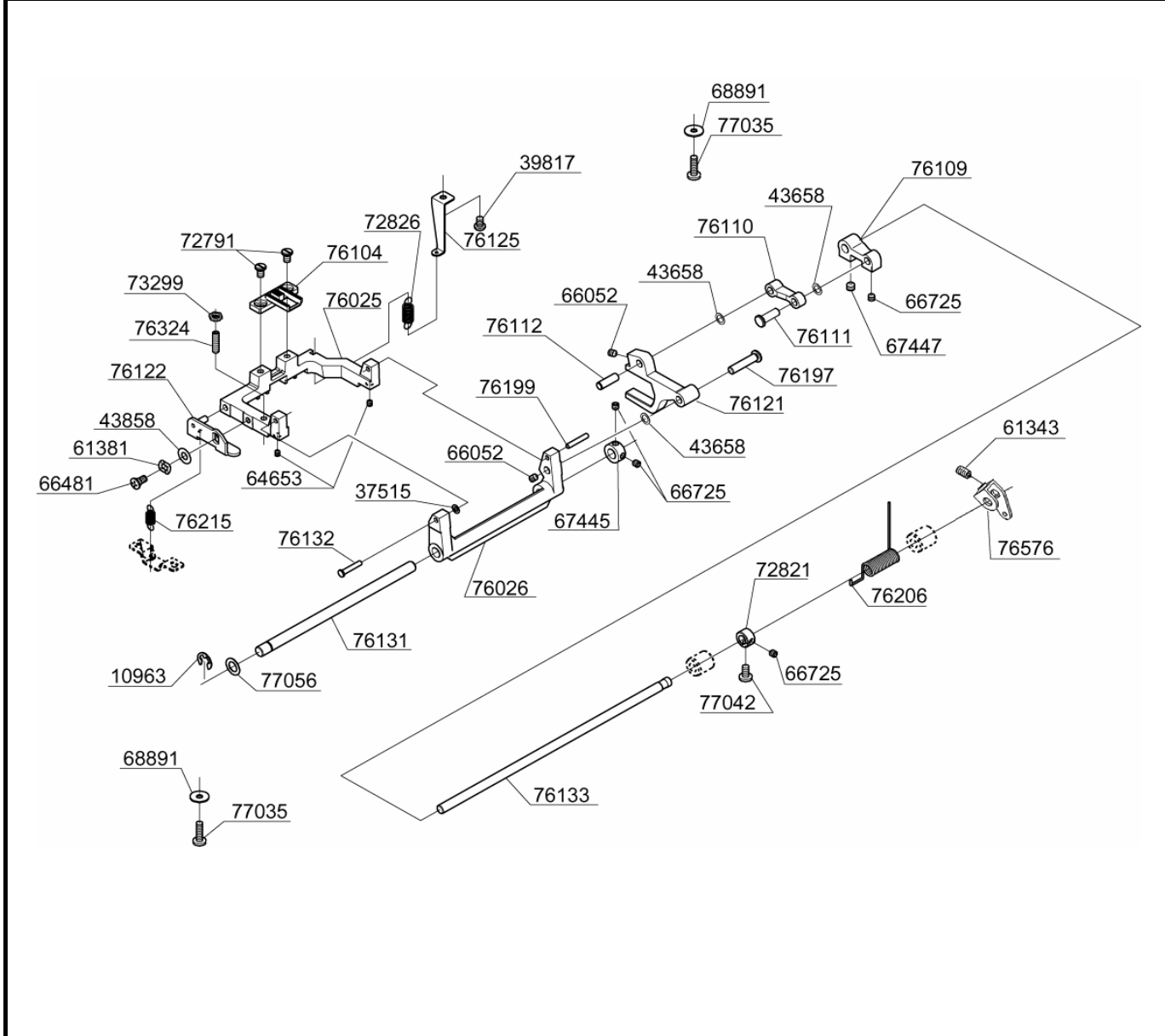
BUYER'S MODEL NO.	2639	SECTION	PAGE	REVISION	REMARKS
BUYER'S MODEL NAME			5		
FACTORY MODEL	CB97864				
ORIGINAL ISSUE	November, 200	SERIAL NO.			



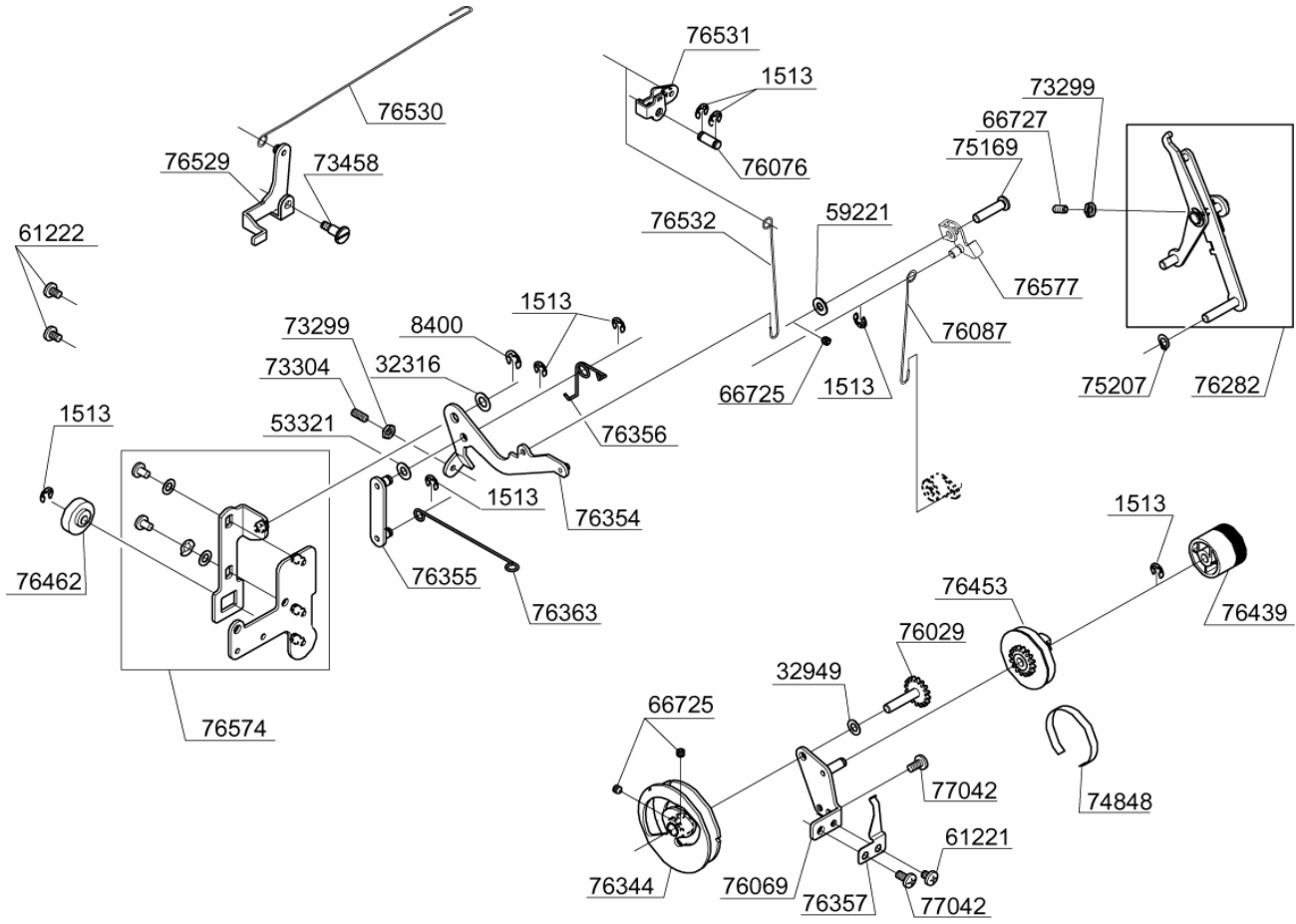
PART NO.	DESCRIPTION
1504	E7 CLIP-ON-WASHER
39817	M4 PHILLIPS SCREW
43390	THRUST WASHER
43392	THRUST WASHER
51058	RETAINER SET
60162	KNOCK PIN
61221	M4 PHILLIPS SCREW
63501	WASHER
66235	SECURING PLATE
66725	M4 SCREW
66727	M4 SCREW
67444	COLLAR
67447	M5 SCREW
73208	M4 PHILLIPS SCREW
73434	M4 PHILLIPS SCREW
76116	BALL METAL GUIDE
76134	SCREW
76136	BELT METAL
76137	SHUTTLE RACE SHAFT
76138	SECURING PLATE
76140	FEED REGULATING
76141	BALL METAL
76200	COLLAR
76203	OILING CORD
76204	PIN
76205	TORSION SPRING
76317	M3 PHILLIPS SCREW
76487	LOWER SHAFT GUIDE BRACKET
76488	LOWER SHAFT GUIDE
76544	SHUTTLE RACE BASE
76549	LOWER SHAFT
77042	M4 PHILLIPS SCREW
85128	BOBBIN
86005	SHUTTLE RACE
86133	FEED LIFTING CAM
86239	BOBBIN CASE STOPPER
87050	BEVEL GEAR
87051	SHUTTLE RACE
87060	BOBBIN CASE

BUYER'S MODEL NO.	2639	SECTION	PAGE	REVISION	REMARKS
BUYER'S MODEL NAME			6		
FACTORY MODEL	CB97864				
ORIGINAL ISSUE	November, 200	SERIAL NO.			

PART NO.	DESCRIPTION
10963	E6 CLIP-ON-WASHER
37515	WASHER
39817	M4 PHILIPS SCREW
43658	THRUST WASHER
43858	WASHER
61343	M4 SCREW
61381	CRINKLE WASHER
64653	M3 SCREW
66052	M4 SCREW
66481	M4 STUD SCREW
66725	M4 SCREW
67445	COLLAR
67447	M5 SCREW
68891	WASHER
72791	M4 SCREW
72821	COLLAR
72826	EXTENSION SPRING
73299	M4 TORQUE NUT
76025	FEED DOG BASE
76026	FEED REGULATING BRACKET
76104	FEED DOGS
76109	FEED REGULATING LINK R.
76110	FEED REGULATING LINK L.
76111	HEADED PIN
76112	PIN
76121	FEED REGULATING ARM
76122	FEED BASE ADJUSTMENT
76125	SPRING HOOK PLATE
76131	HORIZONTAL FEED SHAFT
76132	SHAFT
76133	FEED REGULATING SHAFT
76197	HEADED PIN
76199	PIN
76206	TORSION SPRING
76215	SPRING
76324	M4 SCREW
76576	FEED CONTROL LINK
77035	M4 PHILLIPS SCREW
77042	M4 PHILLIPS SCREW
77056	WASHER



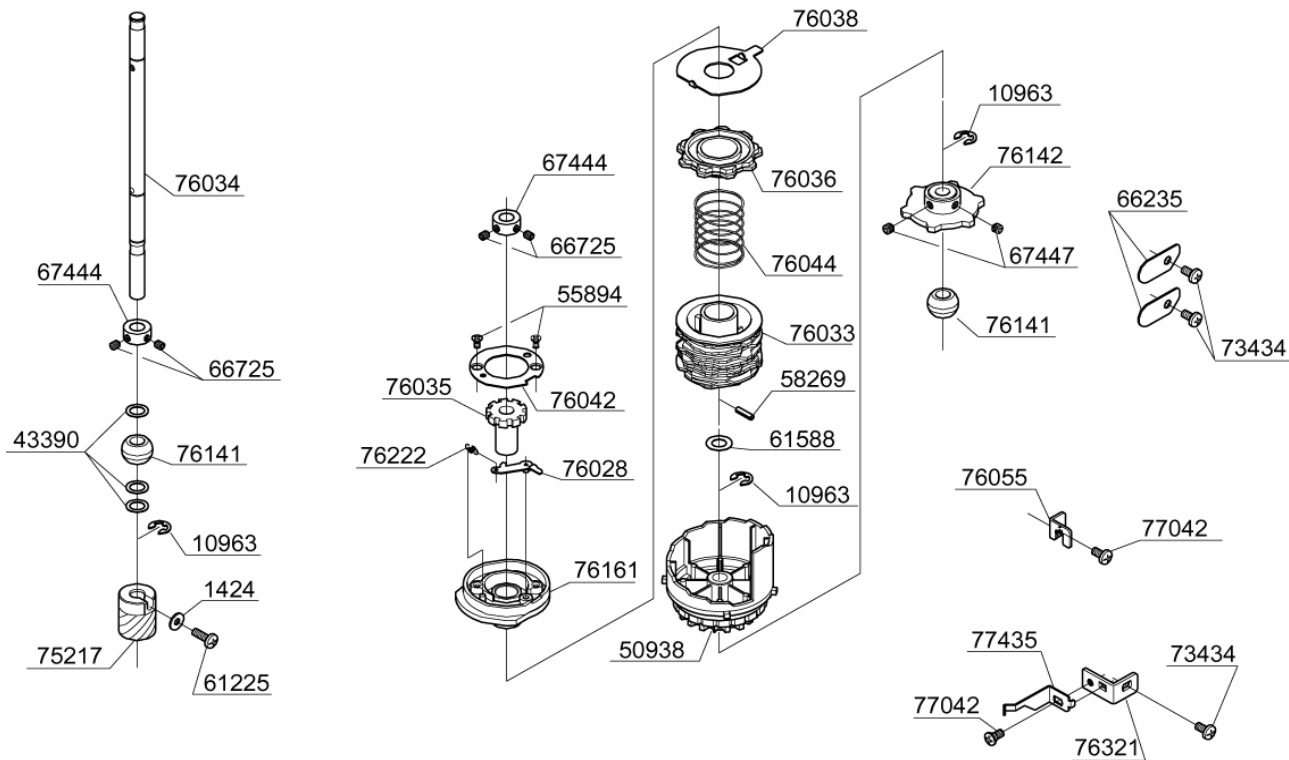
BUYER'S MODEL NO.	2639	SECTION	PAGE	REVISION	REMARKS
BUYER'S MODEL NAME			7		
FACTORY MODEL	CB97864				
ORIGINAL ISSUE	November, 200	SERIAL NO.			



PART NO.	DESCRIPTION
1513	E4 CLIP-ON-WASHER
8400	E5 CLIP-ON-WASHER
32316	WASHER
32949	WASHER
53321	THRUST WASHER
59221	WASHER
61221	M4 PHILLIPS SCREW
61222	M4 PHILLIPS SCREW
66725	M4 SCREW
66727	M4 SCREW
73299	M4 TORQUE NUT
73304	M4 SCREW
73458	M4 STUD SCREW
74848	SEAL
75169	HEADED PIN
75207	CS-CLIP
76029	PINION SHAFT
76069	SECURING SHAFT PLATE
76076	PIN
76087	R. CONNECTING ROD C
76282	S.S. CHANGING LINK ASSEMBLY
76344	STITCH LENGTH CONTROL CAM
76354	FEED CONTROL LINK A
76355	FEED CONTROL LINK B
76356	TORSION SPRING
76357	LEAF SPRING
76363	BH WIRE ROD
76439	STITCH LENGTH CONTROL
76453	DIAL INDICATOR
76462	ECCENTRIC CAM
76529	R. FUNCTION PLATE
76530	CONNECTING ROD A
76531	R. LINK PLATE
76532	R. CONNECTING ROD B
76574	BH CONTROL PLATE SET
76577	FEED CONTROL ARM
77042	M4 PHILLIPS SCREW

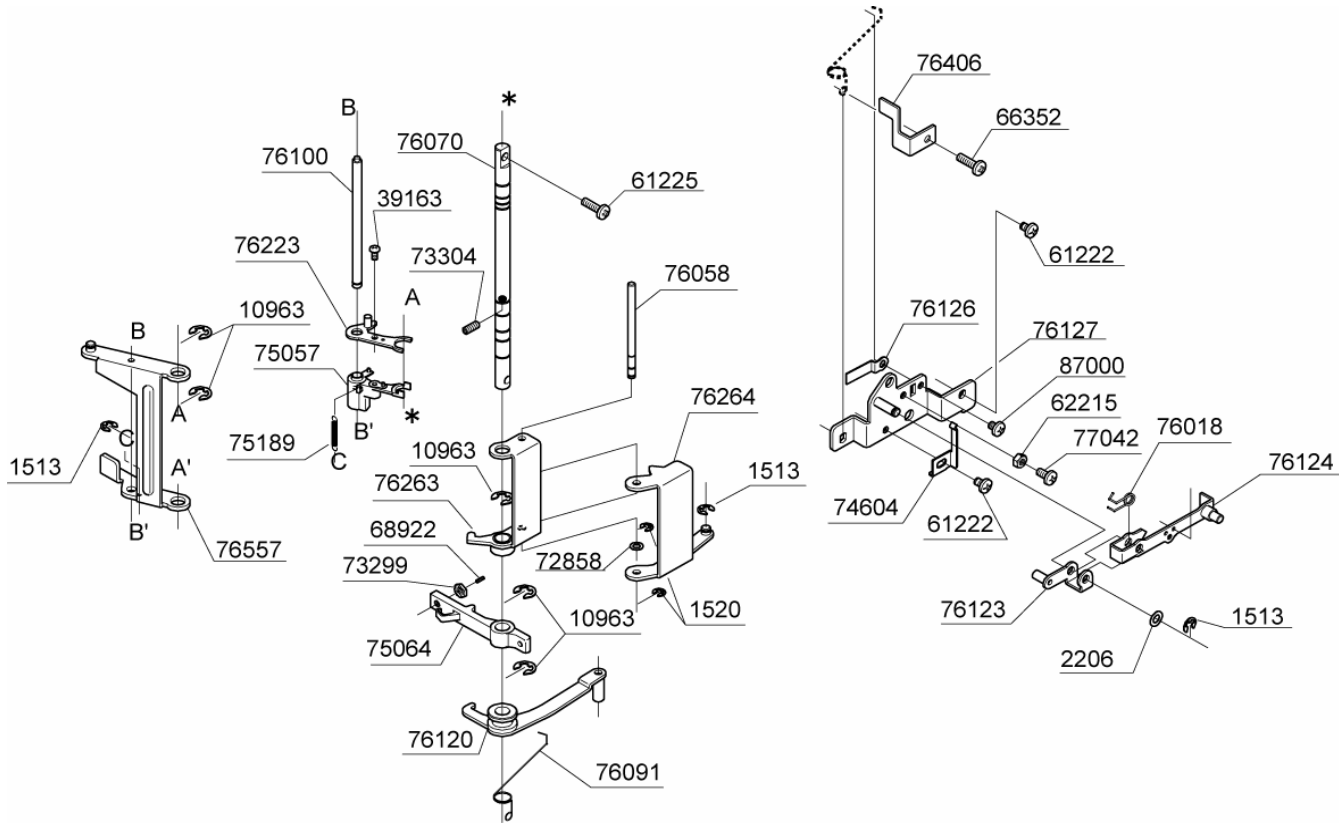
BUYER'S MODEL NO.	2639	SECTION	PAGE	REVISION	REMARKS
BUYER'S MODEL NAME			9		
FACTORY MODEL	CB97864				
ORIGINAL ISSUE	November, 200	SERIAL NO.			

PART NO.	DESCRIPTION
1424	WASHER
10963	E6 CLIP-ON-WASHER
43390	THRUST WASHER
50938	PATTERN SELECTING CAM
55894	TAPPING SCREW
58269	SPRING PIN
61225	M4 PHILLIPS SCREW
61588	WASHER
66235	SECURING PLATE
66725	M4 SCREW
67444	COLLAR
67447	M5 SCREW
73434	M4 PHILLIPS SCREW
75217	WORM GEAR
76028	BH NOTCH
76033	PATTERN CAM
76034	CAM SHAFT
76035	PINION
76036	BH WIDTH CAM
76038	BH RING PLATE
76042	BH CAP
76044	COMPRESSION SPRING
76055	RING STOPPER
76141	BALL METAL
76142	STRETCH STITCH CAM
76161	BH CAM
76222	SPRING
76321	BRACKET
77042	M4 PHILLIPS SCREW
77435	LEAF SPRING



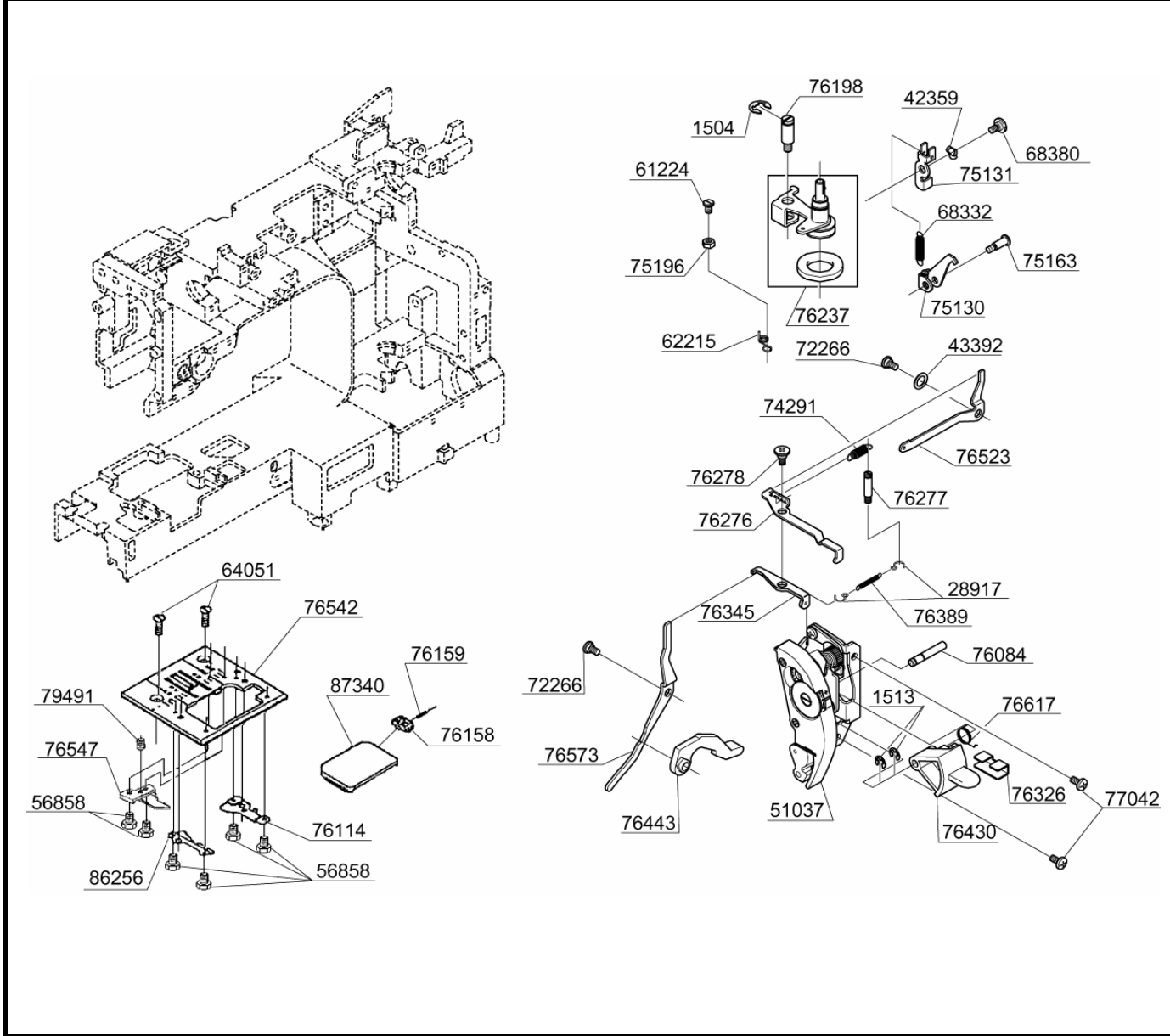
BUYER'S MODEL NO.	2639	SECTION	PAGE	REVISION	REMARKS
BUYER'S MODEL NAME			11		
FACTORY MODEL	CB97864				
ORIGINAL ISSUE	November, 200	SERIAL NO.			

PART NO.	DESCRIPTION
1513	E4 CLIP-ON-WASHER
1520	E3 CLIP-ON-WASHER
2206	WASHER
10963	E6 CLIP-ON-WASHER
39163	TAPPING SCREW
61222	M4 PHILLIPS SCREW
61225	M4 PHILLIPS SCREW
62215	M4 NUT
66352	M4 PHILLIPS SCREW
68922	M4 SCREW
72858	WASHER
73299	M4 TORQUE NUT
73304	M4 SCREW
74604	LEFT SPRING
75057	ZIGZAG GUIDE BLOCK
75064	PATTERN SELECTING CAM CLAW
75189	EXTENSION SPRING
76018	TORSION SPRING A
76058	STRAIGHT SHAFT
76070	GUIDE SHAFT A
76091	TORSION SPRING
76100	GUIDE SHAFT B
76120	S.STITCH CAM FOLLOWER
76123	S.S.CONTROL PLATE A
76124	S.S.CONTROL PLATE B
76126	SPRING PLATE
76127	S.S.CONTROL BASE PLATE
76223	PATTERN REGULATING PLATE
76263	BH FEED REGULATING PLATE
76264	BH FEED PLATE
76406	LIMITING PLATE
76557	GUIDE PLATE
77042	M4 PHILLIPS SCREW
87000	M4 PHILLIPS SCREW

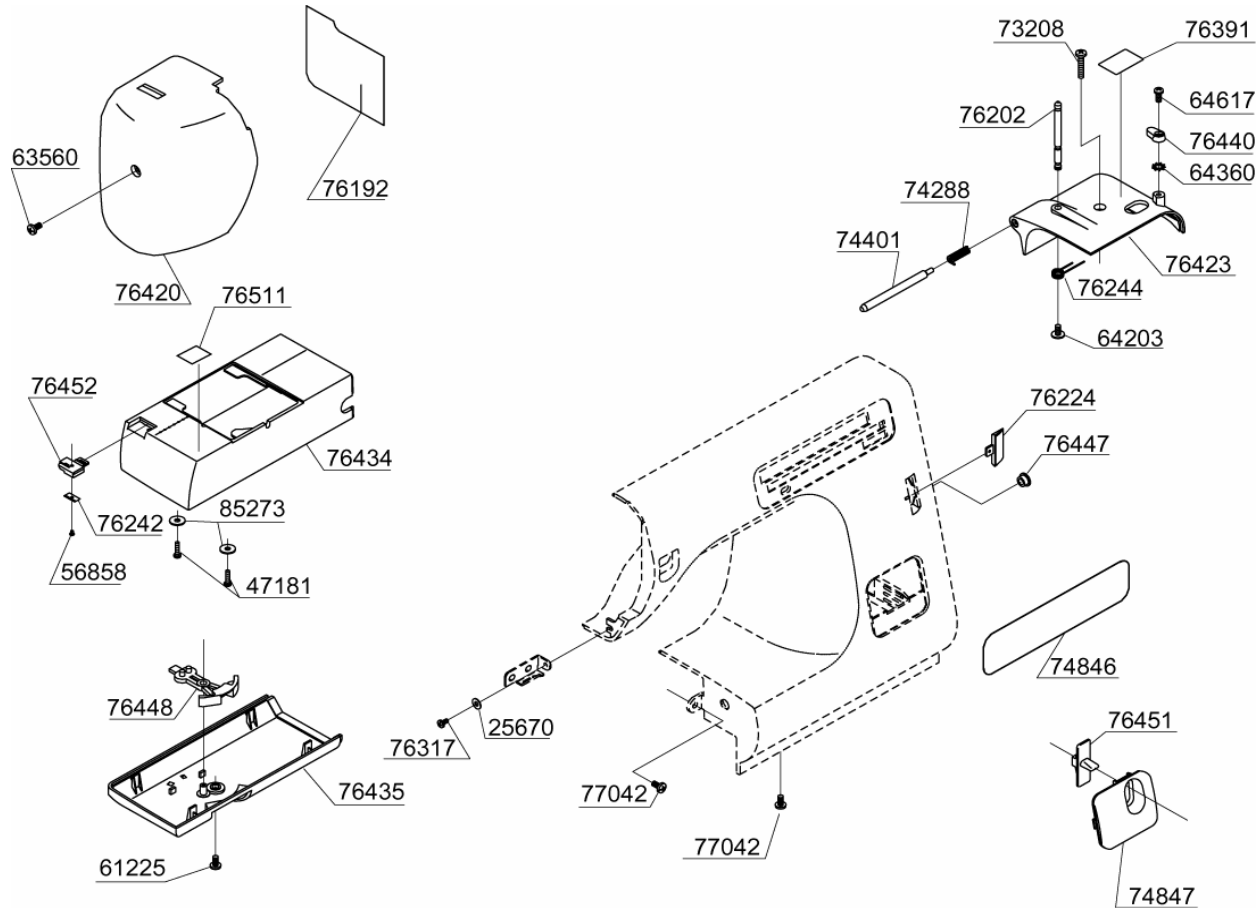


BUYER'S MODEL NO.	2639	SECTION	PAGE	REVISION	REMARKS
BUYER'S MODEL NAME			13		
FACTORY MODEL	CB97864				
ORIGINAL ISSUE	November, 200	SERIAL NO.			

PART NO.	DESCRIPTION
1504	E7 CLIP-ON-WASHER
1513	E4 CLIP-ON-WASHER
28917	#8 SCREW
42359	CRINKLE WASHER
43392	THRUST WASHER
51037	THREAD GUIDE PLATE UNIT
56858	M2 PHILLIPS SCREW
61224	M4 PHILLIPS SCREW
62215	M4 NUT
64051	M4 SCREW
68332	EXTENSION SPRING
68380	M4 STUD SCREW
72266	M4 STUD SCREW
74291	EXTENSION SPRING
75130	RATCHET A
75131	RATCHET B
75163	M4 STUD SCREW
75196	TORSION SPRING
76084	STRAIGHT PIN
76114	COVER GUIDE (R)
76158	RELEASE LEVER
76159	COMPRESSION LEVER
76198	SCREW WITH SHAFT
76237	BOBBIN WINDER COMPLETE
76276	AUTO-TENSION PLATE B
76277	STUD SCREW
76278	STUD SCREW
76326	PROTECTION PLATE
76345	TENSION RELEASE LEVER B
76389	EXTENSION SPRING
76430	REVERSE STITCH LEVER
76443	PRESSURE BAR LIFTER
76523	AUTO-TENSION PLATE A
76547	THREAD CONTROL PLATE
76573	TENSION RELEASE LEVER A
76573	TENSION RELEASE LEVER A
76617	TORSION SPRING
77042	M4 PHILLIPS SCREW
79491	SCREW
86256	COVER GUIDE (L)
86992	NEEDLE PLATE
87340	SHUTTLE RACE COVER



BUYER'S MODEL NO.	2639	SECTION	PAGE	REVISION	REMARKS
BUYER'S MODEL NAME			14		
FACTORY MODEL	CB97864				
ORIGINAL ISSUE	November, 200	SERIAL NO.			



PART NO.	DESCRIPTION
25670	WASHER
47181	TAPPING SCREW
56858	M2 PHILLIPS SCREW
61225	M4 PHILLIPS SCREW
63560	M4 PHILLIPS SCREW
64203	TAPPING SCREW
64360	TOOTHED WASHER
64617	TAPPING SCREW
73208	M4 PHILLIPS SCREW
74288	TORSION SPRING
74401	SPOOL PIN
74846	PATTERN PANEL
74847	PATTERN CHANGER COVER
76192	REFLECTING SHEET
76202	SPOOL PIN
76224	STITCH LENGTH INDICATOR
76242	BLADE
76244	TORSION SPRING
76317	M3 PHILLIPS SCREW
76391	SEAL
76420	FACE COVER
76423	SPOOL STAND
76434	BED COVER
76435	BOTTOM COVER
76440	BOBBIN WINDER LATCH
76447	ARM CAP
76448	DROP KNOB
76451	KNOB
76452	BLADE FIXTURE
76511	SEAL
77042	M4 PHILLIPS SCREW
85273	WASHER

