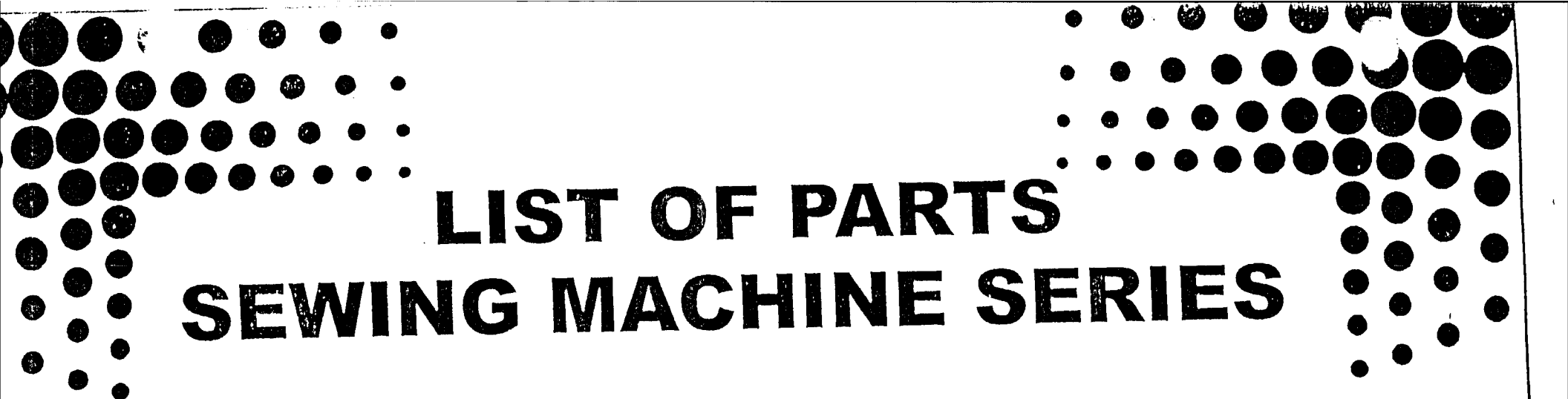


SINGER

2500/3314/3317/2440/3343/3270/DX-14



**LIST OF PARTS
SEWING MACHINE SERIES**

*2502, 2503, 2504
2515, 2518, 2530
2547, 2548*

2500/3314/3317

2440/3343/3270

DX-14

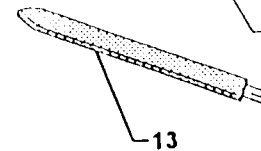
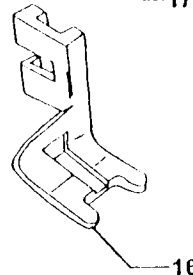
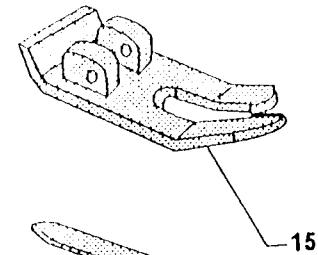
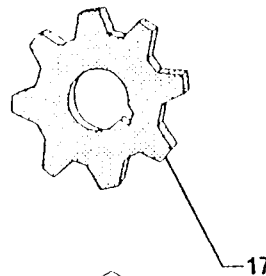
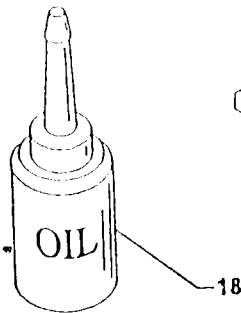
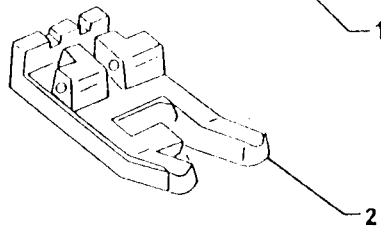
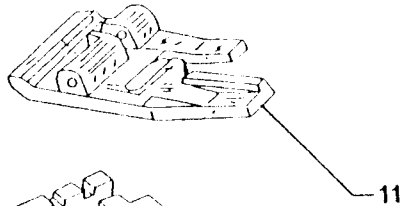
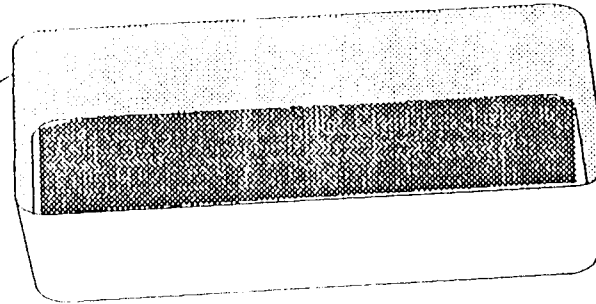
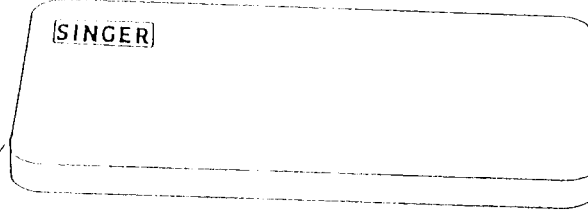
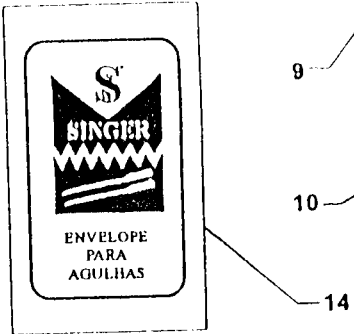
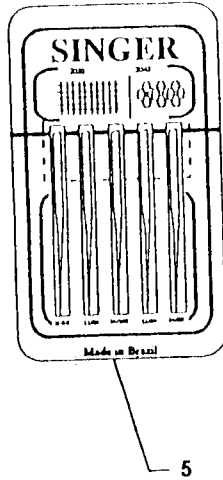
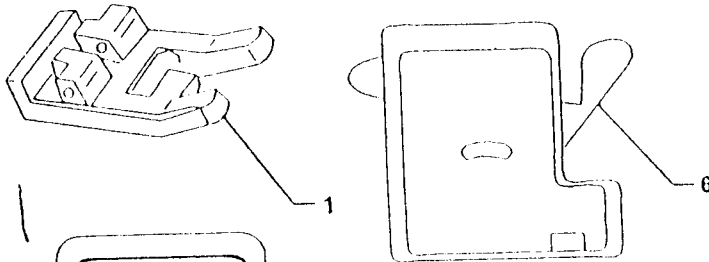
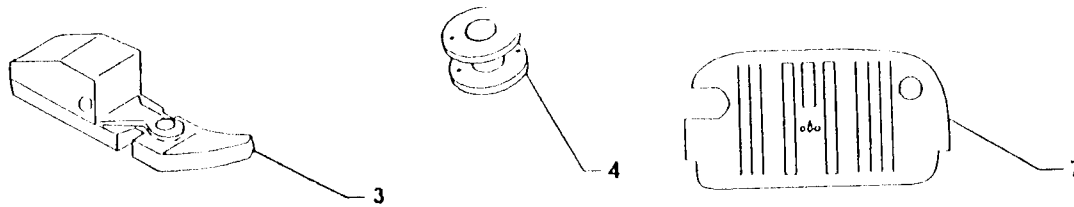


THE SINGER COMPANY
©1998 SINGER DO BRASIL
ALL RIGHTS RESERVED

PRINTED IN BRAZIL
P/N 357672-001
DEC/98

ATTACHMENT SET

At 316010 001



REV: _____
DATE: DEC/98

PAGE NBR

SUB-ASSEMBLY

01 - 04	ATTACHMENT SET
05 - 06	ARM, BED, THROAT PLATE & BED SLIDE
07 - 08	ARM TOP COVER
09 - 10	COVERS & ADD-ONS
11 - 13	NEEDLE BAR
14 - 15	PRESSER BAR
16 - 17	ARM SHAFT DRIVE
18 - 19	HAND WHEEL
20 - 21	TENSION MECHANISM
22 - 23	ROTATING HOOK
24 - 25	BIGHT AMPLITUDE
26 - 27	NEEDLE POSITION
28 - 29	CAM STACK
30 - 31	FEED REGULATOR CAM
32 - 33	BUTTONHOLER & FEED REGULATOR CAM
34 - 35	FEED SYSTEM
36 - 38	ELECTRICAL EQUIPMENT

**PART LIST
ATTACHMENTS**

2 2 2 2 2 2 2 2 2 2 D 3 3 3
5 5 5 5 5 5 5 5 4 X 3 3 3 2
0 0 0 0 1 3 1 4 4 1 1 1 4 7
2 3 4 5 5 0 7 3 0 4 4 7 3 0

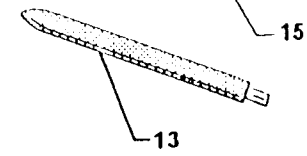
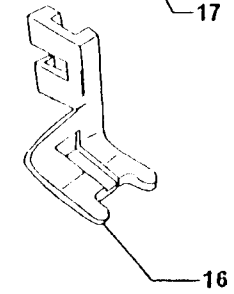
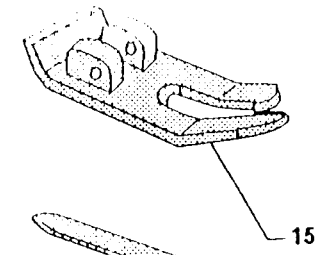
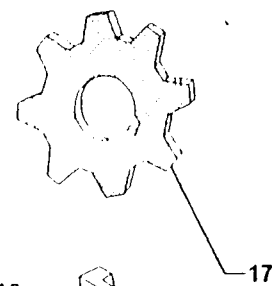
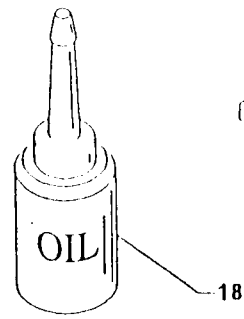
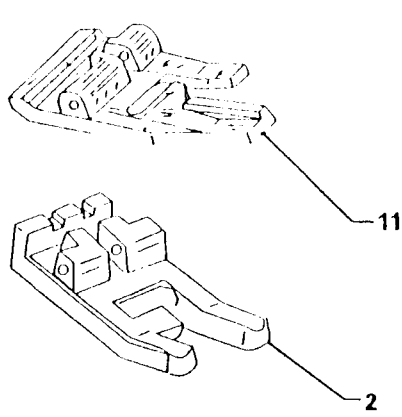
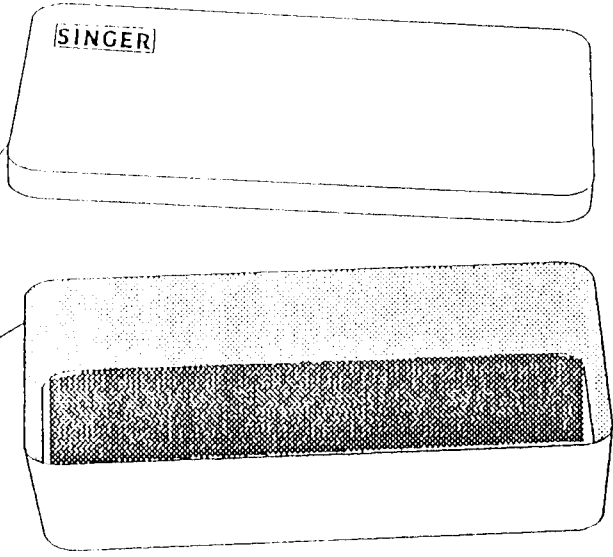
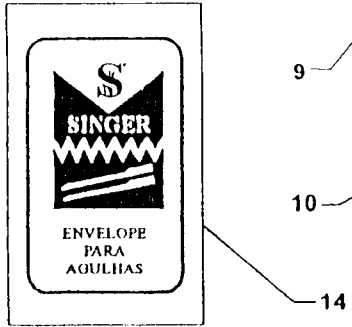
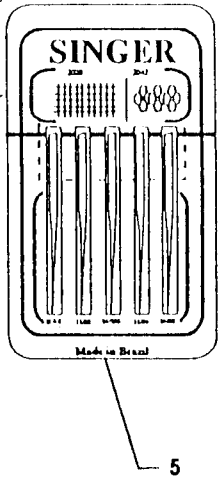
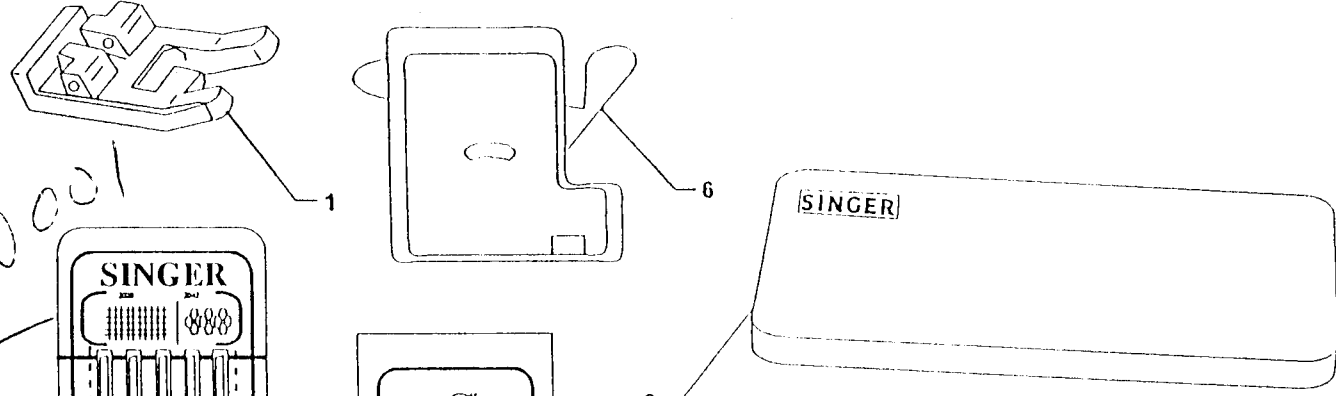
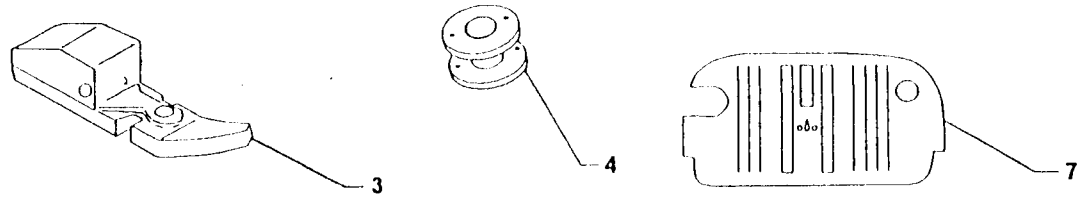
REF. PART NBR DESCRIPTION

01	446492-451	SPECIAL PURPOSE PRESSER FOOT PLATE	0	0	0	X	X	X	X	X	X	0	0	X	X	X
02	161927	BUTTONHOLER PRESSER FOOT	0	0	X	X	X	X	X	X	X	0	0	X	X	X
03	507836	ZIPPER & CORDING PRESSER FOOT	0	0	0	X	X	X	X	X	X	0	0	X	X	X
04	172336	BOBBIN (PLASTIC)	X	X	X	X	X	X	X	X	X	X	X	X	X	X
05	353364	NEEDLE PACK <i>950 353364000B</i>	X	X	X	X	X	X	X	X	X	X	X	X	X	X
06	313117	FEED COVER PLATE (PLASTIC)	X	X	X	X	X	X	X	X	X	X	X	X	X	X
07	356714-000	THROAT PLATE STRAIGHT STITCH	0	0	0	X	0	X	X	X	X	0	0	X	X	X
09	446149-461	ATTACHMENT BOX COVER (SMALL)	X	X	X	X	X	-	X	-	X	X	X	X	-	-
09	381287-455	ATTACHMENT BOX COVER (LARGE)	-	-	-	X	-	X	-	X	-	-	-	-	X	X
10	446148-456	ATTACHMENT BOX BASE (SMALL)	X	X	X	X	X	-	X	-	X	X	X	X	-	-
10	381286-455	ATTACHMENT BOX BASE (LARGE)	-	-	-	X	-	X	-	X	-	-	-	-	X	X
11	356630	BLIND STITCH PRESSER FOOT	-	X	X	X	X	X	X	X	X	-	-	X	X	X
12	8879-656	ARM SPOOL PIN WASHER (FELT)	X	X	X	X	X	X	X	X	X	X	X	X	X	X
12	8879-656	ARM SPOOL PIN WASHER (FELT) FOR TWIN NEEDLE	0	0	0	X	X	X	X	X	X	0	0	X	X	X
13	356942-453	ARM TOP COVER SPOOL PIN	X	X	X	X	X	X	X	X	X	X	X	X	X	X
13	356942-453	ARM TOP COVER SPOOL PIN FOR TWIN NEEDLE	0	0	0	X	0	0	0	0	0	0	0	0	0	0
14	531868	NEEDLE PACK WITH NEEDLE 2045 SIZE 14 <i>5045 0960144</i>	0	0	0	X	X	X	X	X	X	0	0	X	X	X
15	153267	PRESSER FOOT PLATE FOR STRAIGHT STITCH	0	0	0	X	0	X	X	X	X	0	0	X	X	X
16	179911	PRESSER FOOT PLATE FOR SEWING ON BUTTON	0	0	0	X	X	X	X	X	X	0	0	X	X	X

<u>REF.</u>	<u>NEW</u>	<u>IN REPLACE OF</u>	<u>DATE</u>
08	----	501750	11/30/1996
09	446149-461	446149-458	12/12/1997
09	381287-454	381287-455	12/12/1997
10	446148-458	446148-456	12/12/1997
10	381286-455	381286-454	12/12/1997
12	8879-656	8879-455	25/03/1998

ATTACHMENT SET

3/60/0001



REV: _____
 DATE: D. 98

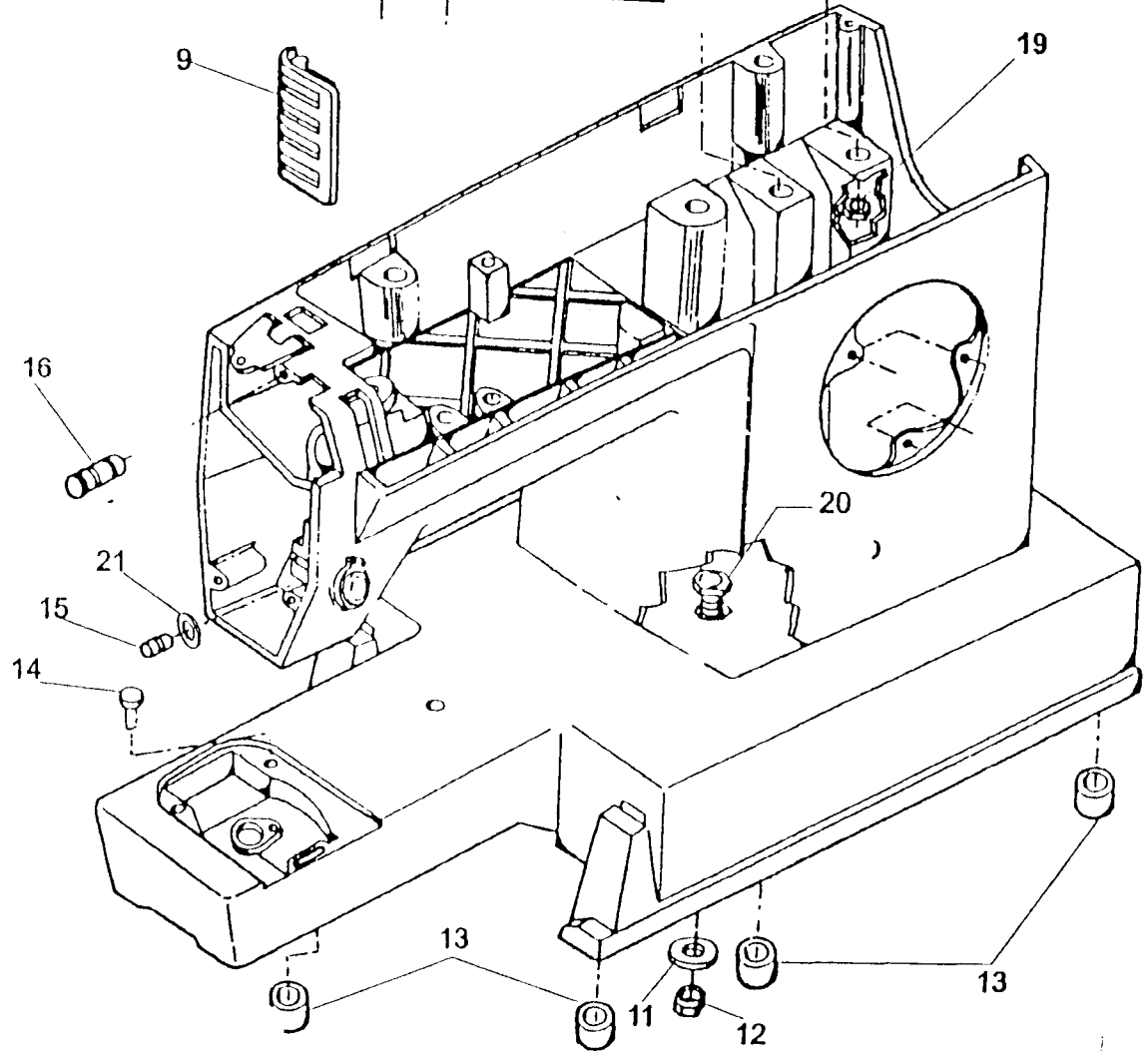
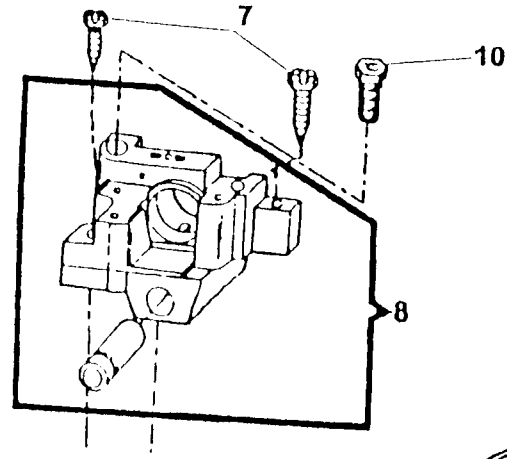
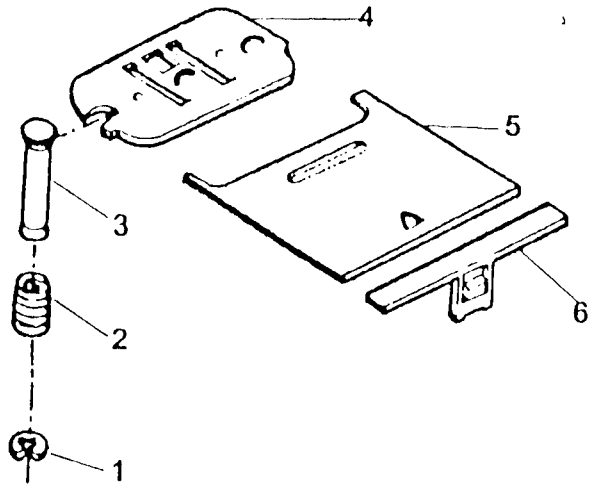
PART LIST
ATTACHMENT SET (CONI.)

2 2 2 2 2 2 2 2 2 2 D 3 3 3 3
5 5 5 5 5 5 5 5 4 X 3 3 3 2
0 0 0 0 1 3 1 4 4 1 1 1 4 7
2 3 4 5 5 0 7 3 0 4 4 7 3 0

REF. PART NBR DESCRIPTION

17	276302	DISC NBR 2 (MULTI ZIG-ZAG STITCH)	-	-	-	X	X	X	X	X	X	-	-	X	X	X
17	1276304	DISC NBR 4 (SCALLOP STITCH)	-	-	-	-	X	-	-	-	-	-	-	-	-	-
17	276305	DISC NBR 5 (ARROWHEAD STITCH)	-	-	-	X	X	-	-	-	-	-	-	-	-	-
17	276306	DISC NBR 6 (DOMINO STITCH)	-	-	-	X	X	-	-	-	-	-	-	-	-	-
17	276307	DISC NBR 7 (SHELL STITCH)	-	-	-	X	X	-	-	-	-	-	-	-	-	-
17	276309	DISC NBR 9 (ICICLE STITCH)	-	-	-	-	X	-	-	-	-	-	-	-	-	-
17	276310	DISC NBR 10 (BANNER STITCH)	-	-	-	X	X	-	-	-	-	-	-	-	-	-
17	276311	DISC NBR 11 (KEY STITCH)	-	-	-	-	X	-	-	-	-	-	-	-	-	-
17	276312	DISC NBR 12 (WALLS OF TROY STITCH)	-	-	-	X	X	-	-	-	-	-	-	-	-	-
17	276313	DISC NBR 13 (DIAMOND STITCH)	-	-	-	X	X	-	-	-	-	-	-	-	-	-
17	276314	DISC NBR 14 (ZIG-ZAG POINTS STITCH)	-	-	-	-	X	-	-	-	-	-	-	-	-	-
17	276315	DISC NBR 15 (LONG OBLIQUE STITCH)	-	-	-	-	X	-	-	-	-	-	-	-	-	-
17	276316	DISC NBR 16 (SHINGLE STITCH)	-	-	-	-	X	-	-	-	-	-	-	-	-	-
17	276317	DISC NBR 17 (PENNANT STITCH)	-	-	-	-	X	-	-	-	-	-	-	-	-	-
17	276318	DISC NBR 18 (THREE STEP STITCH)	-	-	-	-	X	-	-	-	-	-	-	-	-	-
17	276319	DISC NBR 19 (BALL STITCH)	-	-	-	-	X	-	-	-	-	-	-	-	-	-
17	276320	DISC NBR 20 (CURVE MENDING STITCH)	-	-	-	-	X	-	-	-	-	-	-	-	-	-
17	276322	DISC NBR 22 (SEMAPHORE STITCH)	-	-	-	-	X	-	-	-	-	-	-	-	-	-
17	276323	DISC NBR 23 (SOLID PYRAMID STITCH)	-	-	-	-	X	-	-	-	-	-	-	-	-	-
17	276325	DISC NBR 25 (SPINY STITCH)	-	-	-	-	X	-	-	-	-	-	-	-	-	-
17	276326	DISC NBR 26 (BLOCK STITCH)	-	-	-	X	X	-	-	-	-	-	-	-	-	-
17	276327	DISC NBR 27 (FAGOTING STITCH)	-	-	-	-	X	-	-	-	-	-	-	-	-	-
17	276328	DISC NBR 28 (COMB STITCH)	-	-	-	X	X	-	-	-	-	-	-	-	-	-
17	276329	DISC NBR 29 (PAVILLON STITCH)	-	-	-	X	X	-	-	-	-	-	-	-	-	-
17	276330	DISC NBR 30 (PLATFORM STITCH)	-	-	-	-	X	-	-	-	-	-	-	-	-	-
17	276337	DISC NBR 37 (ALPINE STITCH)	-	-	-	-	X	-	-	-	-	-	-	-	-	-
17	171340	DISC NBR 3/350 (BLIND STITCH)	-	X	X	X	X	X	X	X	X	-	-	X	X	X
17	171342	DISC NBR 8/352 (SOLID SCALLOP STITCH)	-	-	-	X	X	-	-	-	-	-	-	-	-	-
17	171341	DISC NBR 31/351 (CRESCENT STITCH)	-	-	-	X	X	-	-	-	-	-	-	-	-	-
18	357004-001	OIL CONTAINER	0	0	0	0	X	0	0	0	0	0	0	0	0	0

ARM, BED, THROAT PLATE & BED SLIDE



REV: _____
DATE: DEC/98

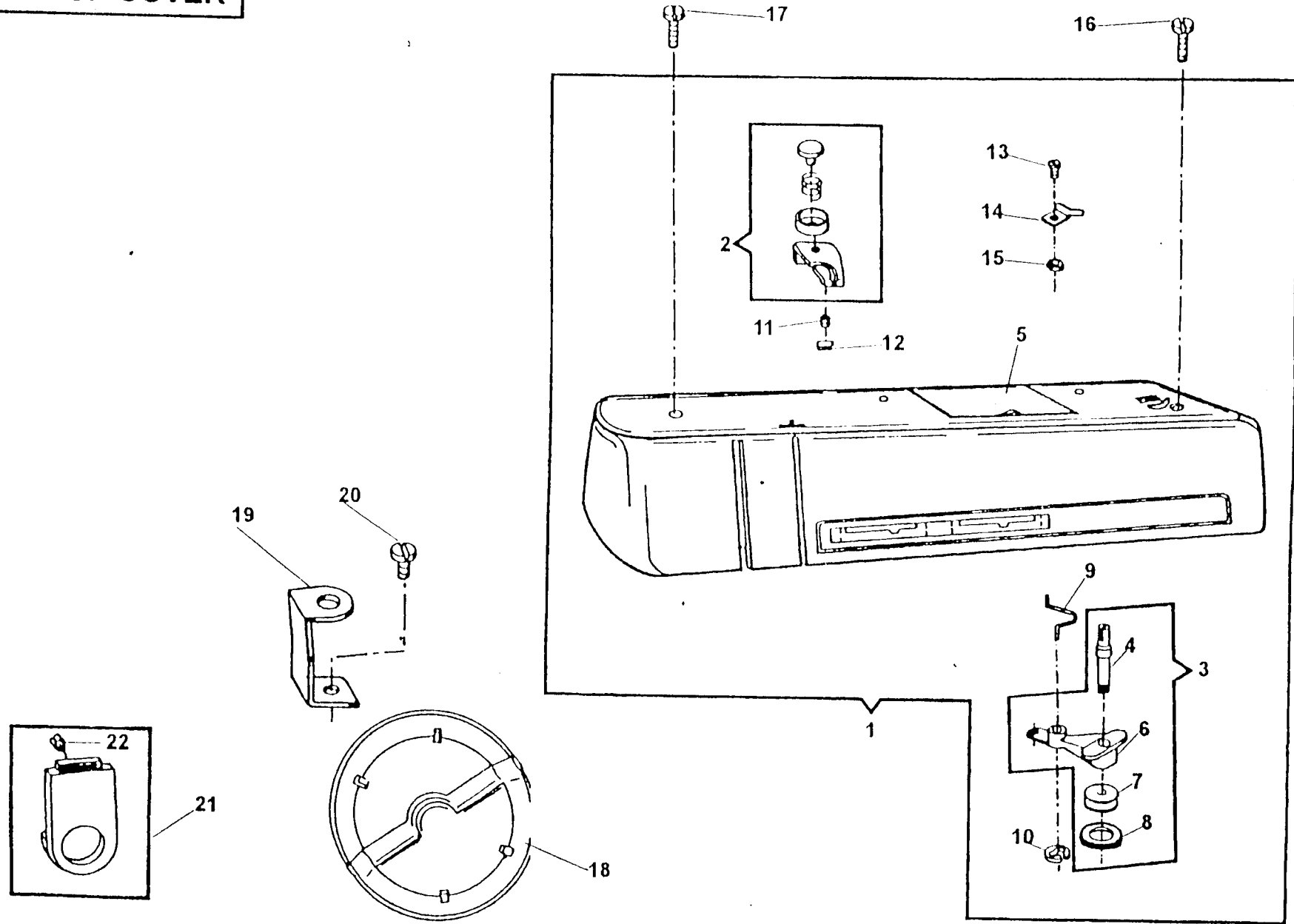
PART LIST
ARM, BED, THROAT PLATE & BED SLIDE

2 2 2 2 2 2 2 2 2 2 D 3 3 3 3
5 5 5 5 5 5 5 5 4 X 3 3 3 2
0 0 0 0 1 3 1 4 4 1 1 1 4 7
2 3 4 5 5 0 7 3 0 4 4 7 3 0

REF. PART NBR DESCRIPTION

01	179926	THROAT PLATE CLAMP SPRING RETAINING RING	X	X	X	X	X	X	X	X	X	X	X	X
02	357611	THROAT PLATE CLAMP SPRING	X	X	X	X	X	X	X	X	X	X	X	X
03	357445	THROAT PLATE CLAMP	X	X	X	X	X	X	X	X	X	X	X	X
04	356713	THROAT PLATE FOR ZIG-ZAG SEWING	X	X	X	X	X	X	X	X	X	X	X	X
05	179982	BED SLIDE	X	X	X	X	X	X	X	X	X	X	X	X
06	446482	BED SLIDE SPRING	X	X	X	X	X	X	X	X	X	X	X	X
07	113455-006	ARM SHAFT (REAR) HOUSING MOUNTING SCREW	X	X	X	X	X	X	X	X	X	X	X	X
08	357017-002	ARM SHAFT (REAR) HOUSING ASSEMBLY	X	X	X	X	X	X	X	X	X	X	X	X
09	353360-45X	ARM INSERT MOTOR VENT GRILL	X	X	X	X	X	X	X	X	X	X	X	X
10	357020-451	ARM SHAFT (REAR) HOUSING MOUNTING BOLT	X	X	X	X	X	X	X	X	X	X	X	X
11	353375-451	ARM BED BOLT LOCK WASHER	X	X	X	X	X	X	X	X	X	X	X	X
12	514608	ARM BED MOUNTING BOLT	X	X	X	X	X	X	X	X	X	X	X	X
13	353559-451	BED CUSHION (OPTIONAL)	X	X	X	X	X	X	X	X	X	X	X	X
14	353624	THROAT PLATE POSITION PIN	X	X	X	X	X	X	X	X	X	X	X	X
15	357438-001	TENSION RELEASING LEVER HINGE PIN	X	X	X	X	X	X	X	X	X	X	X	X
16	446375	THREAD TAKE-UP LEVER LINK HINGE STUD	X	X	X	X	X	X	X	X	X	X	X	X
17	514608	ARM SHAFT (REAR) HOUSING MOUNTING BOLT NUT	X	X	X	X	X	X	X	X	X	X	X	X
18	446346-451	BED (BOTTOM) COVER & CABINET BOLT	X	X	X	X	X	X	X	X	X	X	X	X
19	357464-002	TENSION RELEASING LEVER HINGE PIN WASHER	X	X	X	X	X	X	X	X	X	X	X	X

ARM TOP COVER



REV: _____
DATE: DF '98

PART LIST
ARM TOP COVER :

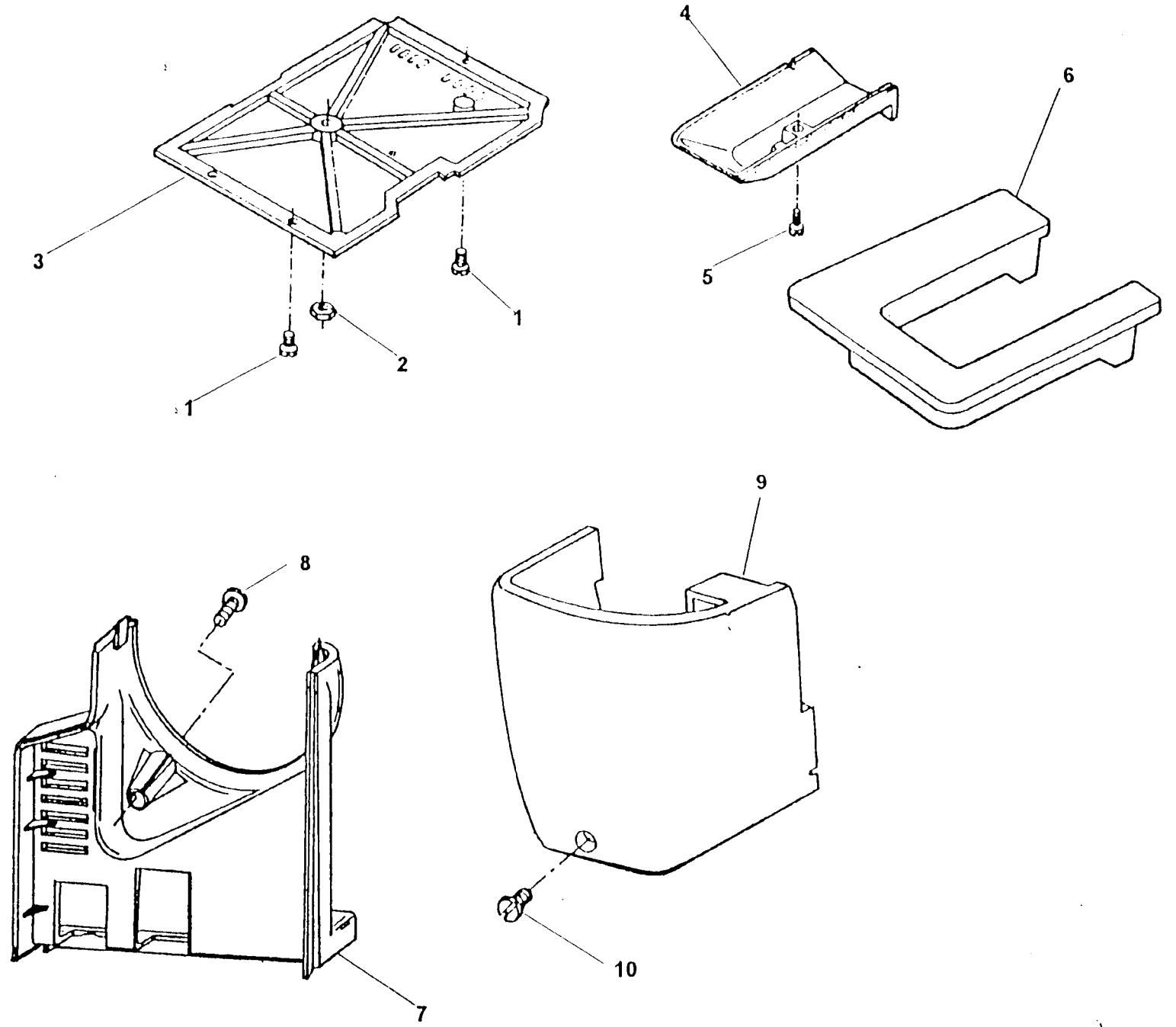
2 2 2 2 2 2 2 2 2 2 D 3 3 3 3
5 5 5 5 5 6 5 5 4 X 3 3 3 2
0 0 0 1 3 3 1 4 4 1 1 1 4 7
2 3 4 5 0 0 7 3 0 4 4 7 3 0

REF. PART NBR DESCRIPTION

REF. PART NBR	DESCRIPTION	2	3	4	5	0	0	7	3	0	4	4	7	3	0
01	356827-XXX ARM TOP COVER COMPLETE	-	-	-	-	-	-	-	-	-	-	-	-	-	-
02	356047 BOBBIN WINDER TENSION COMPLETE	X	X	X	X	X	X	X	X	X	X	X	X	X	X
03	531767-452 BOBBIN WINDER ASSEMBLY	X	X	X	X	X	X	X	X	X	X	X	X	X	X
04	357081-452 BOBBIN WINDER SPINDLE COMPLETE	X	X	X	X	X	X	X	X	X	X	X	X	X	X
05	356781-903 ARM TOP COVER LID	X	X	X	X	X	X	X	X	X	X	X	X	X	X
06	357082-452 BOBBIN WINDER FRAME	X	X	X	X	X	X	X	X	X	X	X	X	X	X
07	44440-001 BOBBIN WINDER PULLEY	X	X	X	X	X	X	X	X	X	X	X	X	X	X
08	15287-701 BOBBIN WINDER FRICTION RING	X	X	X	X	X	X	X	X	X	X	X	X	X	X
09	531766 BOBBIN WINDER SPRING	X	X	X	X	X	X	X	X	X	X	X	X	X	X
10	445486 BOBBIN WINDER RETAINING RING	X	X	X	X	X	X	X	X	X	X	X	X	X	X
11	141936-833 BOBBIN WINDER TENSION BRACKET ADJUSTING SCREW	X	X	X	X	X	X	X	X	X	X	X	X	X	X
12	44794 BOBBIN WINDER TENSION BRACKET ADJUSTING SCREW RETAINING CLIP	X	X	X	X	X	X	X	X	X	X	X	X	X	X
13	141920-455 BOBBIN WINDER STOP SCREW	X	X	X	X	X	X	X	X	X	X	X	X	X	X
14	445924 BOBBIN WINDER STOP	X	X	X	X	X	X	X	X	X	X	X	X	X	X
15	53640-819 BOBBIN WINDER STOP SCREW NUT	X	X	X	X	X	X	X	X	X	X	X	X	X	X
16	354895-453 ARM TOP COVER MOUNTING SCREW (RIGHT)	X	X	X	X	X	X	X	X	X	X	X	X	X	X
17	354895-453 ARM TOP COVER MOUNTING SCREW (LEFT)	X	X	X	X	X	X	X	X	X	X	X	X	X	X
18	356789-901 ARM TOP COVER RECEPTACLE BOTTOM COVER	X	-	-	-	-	-	-	-	-	X	X	-	-	-
19	531765 ARM TOP COVER MOUNTING BRACKET (RIGHT)	X	X	X	X	X	X	X	X	X	X	X	X	X	X
20	113455-001 ARM TOP COVER MOUNTING BRACKET SCREW	X	X	X	X	X	X	X	X	X	X	X	X	X	X
21	356843-454 ARM TOP COVER SHROUDER	X	X	X	X	X	X	X	X	X	X	X	X	X	X
22	356127 ARM TOP COVER SHROUDED RETAINING RING	X	X	X	X	X	X	X	X	X	X	X	X	X	X

NOTE: PLEASE WHEN NEED THE PART(-----XXX), INDICATE THE MACHINE MODEL WHERE WILL BE USED.

COVERS & ADD-ONS



REV: _____
DATE: DEC/9R

**PART LIST
COVERS & ADD-ON:**

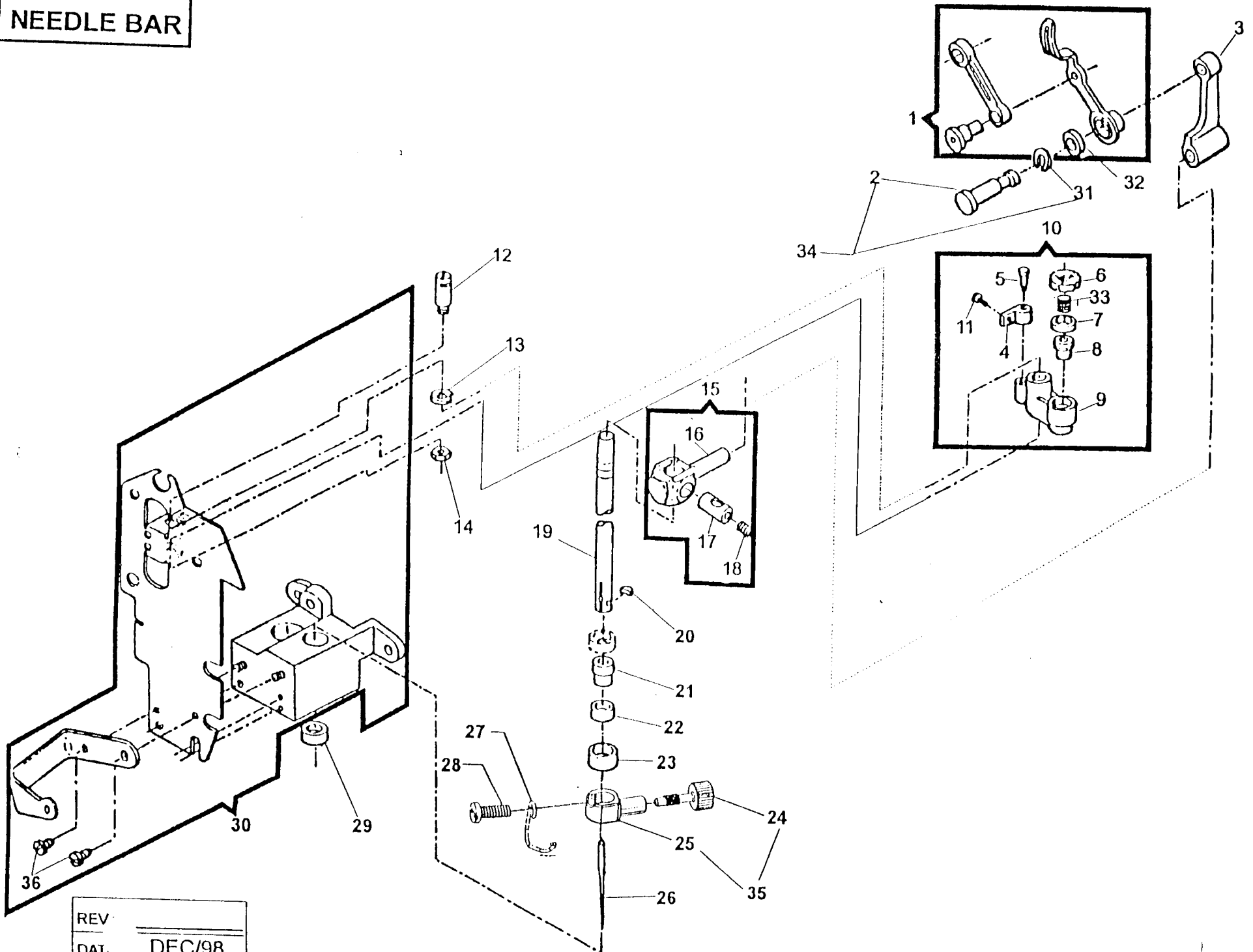
2 2 2 2 2 2 2 2 2 2 D 3 3 3 3
5 5 5 5 5 5 5 5 4 X 3 3 3 2
0 0 0 0 1 3 1 4 4 1 1 1 4 7
2 3 4 5 5 0 7 3 0 4 4 7 3 0

REF. PART NBR DESCRIPTION

01	113455-001	BED (BOTTOM) COVER FASTENING SCREW	X	X	X	X	X	X	X	X	X	X	X	X	X
02	514608	BED (BOTTOM) COVER FASTENING SCREW NUT	X	X	X	X	X	X	X	X	X	X	X	X	X
03	353587-454	BED (BOTTOM) COVER (PLASTIC)	X	X	X	X	X	X	X	X	X	X	X	X	X
04	446493-453	BED (TUBULAR) BOTTOM COVER (PLASTIC)	X	X	X	X	X	X	X	X	X	X	X	X	X
05	354895-453	BED (TUBULAR) BOTTOM COVER FASTENING SCREW	X	X	X	X	X	X	X	X	X	X	X	X	X
06	531882-XXX	BED EXTENSION	X	X	X	X	X	X	-	X	-	X	X	-	-
06	356027-XXX	BED EXTENSION	-	-	-	-	-	-	X	-	X	-	-	-	-
06	446455-XXX	BED EXTENSION	-	-	-	-	-	-	-	X	-	-	-	-	-
07	356757-XXX	ARM END COVER (USA/CANADA)	X	X	X	X	X	X	X	X	X	X	X	X	X
08	354063-451	ARM END COVER SCREW	X	X	X	X	X	X	X	X	X	X	X	X	X
09	356879-XXX	FACE PLATE COMPLETE (WITH GRILL) FOR EUROPE	X	X	X	X	X	X	X	X	X	X	X	X	X
09	356806-XXX	FACE PLATE COMPLETE	X	X	X	X	X	X	X	X	X	X	X	X	X
10	354133-453	FACE PLATE SCREW	X	X	X	X	X	X	X	X	X	X	X	X	X

NOTE: PLEASE, WHEN NEED THE PART NUMBER(-----XXX), INDICATE MACHINE MODEL WHERE WILL BE USED.

NEEDLE BAR



REV: _____
DATE: DEC/98

**PART LIST
NEEDLE BAR**

2 2 2 2 2 2 2 2 2 2 D 3 3 3 3
5 5 5 5 5 5 5 5 4 X 3 3 3 2
0 0 0 0 1 3 1 4 4 1 1 1 4 7
2 3 4 5 5 0 7 3 0 4 4 7 3 0

EF. PART NBR DESCRIPTION

1	445672	THREAD TAKE-UP LEVER COMPLETE	X	X	X	X	X	X	X	X	X	X	X	X
	446260	THREAD TAKE-UP STUD	X	X	X	X	X	X	X	X	X	X	X	X
3	446357	NEEDLE BAR CONNECTING LINK	X	X	X	X	X	X	X	X	X	X	X	X
4	446190	NEEDLE BAR DRIVING ARM HINGE BRACKET	X	X	X	X	X	X	X	X	X	X	X	X
5	37935	NEEDLE BAR DRIVING ARM HINGE BRACKET HINGE PIN	X	X	X	X	X	X	X	X	X	X	X	X
6	353522	NEEDLE BAR BALL BUSHING (UPPER) RETAINING RING	X	X	X	X	X	X	X	X	X	X	X	X
7	507379	NEEDLE BAR BALL BUSHING (UPPER) SOCKET (LOWER)	X	X	X	X	X	X	X	X	X	X	X	X
8	446355-001	NEEDLE BAR BALL BUSHING (UPPER)	X	X	X	X	X	X	X	X	X	X	X	X
9	353521	NEEDLE BAR VIVRATING BRACKET	X	X	X	X	X	X	X	X	X	X	X	X
10	353520-001	NEEDLE BAR VIBRATING BRACKET COMPLETE	X	X	X	X	X	X	X	X	X	X	X	X
11	354826-451	NEEDLE BAR DRIVING ARM HINGE BRACKET SCREW	X	X	X	X	X	X	X	X	X	X	X	X
12	446359	NEEDLE BAR VIBRATING BRACKET HINGE PIN	X	X	X	X	X	X	X	X	X	X	X	X
13	445721	NEEDLE BAR VIBRATING BRACKET HINGE PIN RETAINING RING	X	X	X	X	X	X	X	X	X	X	X	X
14	357093-451	NEEDLE BAR VIBRATING BRACKET HINGE PIN NUT	X	X	X	X	X	X	X	X	X	X	X	X
15	353549-940	NEEDLE BAR CONNECTING STUD WITH HINGE PIN	X	X	X	X	X	X	X	X	X	X	X	X
16	353549	NEEDLE BAR CONNECTING STUD	X	X	X	X	X	X	X	X	X	X	X	X
17	37931	NEEDLE BAR CONNECTING STUD HINGE PIN	X	X	X	X	X	X	X	X	X	X	X	X
18	141918-833	NEEDLE BAR CLAMPING SCREW	X	X	X	X	X	X	X	X	X	X	X	X
19	445793	NEEDLE BAR	X	X	X	X	X	X	X	X	X	X	X	X
20	37943	NEEDLE BAR GIB	X	X	X	X	X	X	X	X	X	X	X	X
21	446355-001	NEEDLE BAR BALL BUSHING (LOWER)	X	X	X	X	X	X	X	X	X	X	X	X
22	507379	NEEDLE BAR BALL BUSHING (LOWER) SOCKET	X	X	X	X	X	X	X	X	X	X	X	X
23	446361-001	NEEDLE BAR BALL BUSHING (LOWER) ADJUSTING COLLAR	X	X	X	X	X	X	X	X	X	X	X	X
24	355248-451	NEEDLE THUMB SCREW	X	X	X	X	X	X	X	X	X	X	X	X
25	357429	NEEDLE CLAMP BODY	X	X	X	X	X	X	X	X	X	X	X	X
26	204514-100	NEEDLE 2045 SIZE 14	X	X	X	X	X	X	X	X	X	X	X	X
27	357421	NEEDLE CLAMP THREAD GUIDE	X	X	X	X	X	X	X	X	X	X	X	X
28	141920-453	NEEDLE CLAMP BODY, NEEDLE. CLAMP THREAD GUIDE & NEEDLE STOP SCREW	X	X	X	X	X	X	X	X	X	X	X	X
29	44450	NEEDLE BAR BALL BUSHING (LOWER) SOCKET (UPPER)	X	X	X	X	X	X	X	X	X	X	X	X
30	357360	NEEDLE BAR, PRESSER BAR & VIBRATING BRACKET HOUSING ASSEMBLY	X	X	X	X	X	X	X	X	X	X	X	X

**PART LIST
NEEDLE BAR (CONT.)**

2 2 2 2 2 2 2 2 2 D 3 3 3 3
 5 5 5 5 5 5 5 5 4 X 3 3 3 2
 0 0 0 0 1 3 1 4 4 1 1 1 4 7
 2 3 4 5 5 0 7 3 0 4 4 7 3 0

F. PART NBR DESCRIPTION

1	445486	THREAD TAKE-UP STUD RETAINING RING	X	X	X	X	X	X	X	X	X	X	X	X
2	543531	THREAD TAKE-UP STUD THRUST WASHER	X	X	X	X	X	X	X	X	X	X	X	X
3	353424	NEEDLE BAR BALL BUSHING (UPPER) WAVED WASHER	X	X	X	X	X	X	X	X	X	X	X	X
4	446261	THREAD TAKE-UP STUD WITH RING	X	X	X	X	X	X	X	X	X	X	X	X
5	357430	NEEDLE CLAMP BODY WITH SCREW	X	X	X	X	X	X	X	X	X	X	X	X
6	113480-451	NEEDLE BAR, PRESSER BAR & VIBRATING BRACKET HOUSING PLATE MOUNTING SCREW	X	X	X	X	X	X	X	X	X	X	X	X

EF.

NEW

IN REPLACE OF

DATE

357360

356599

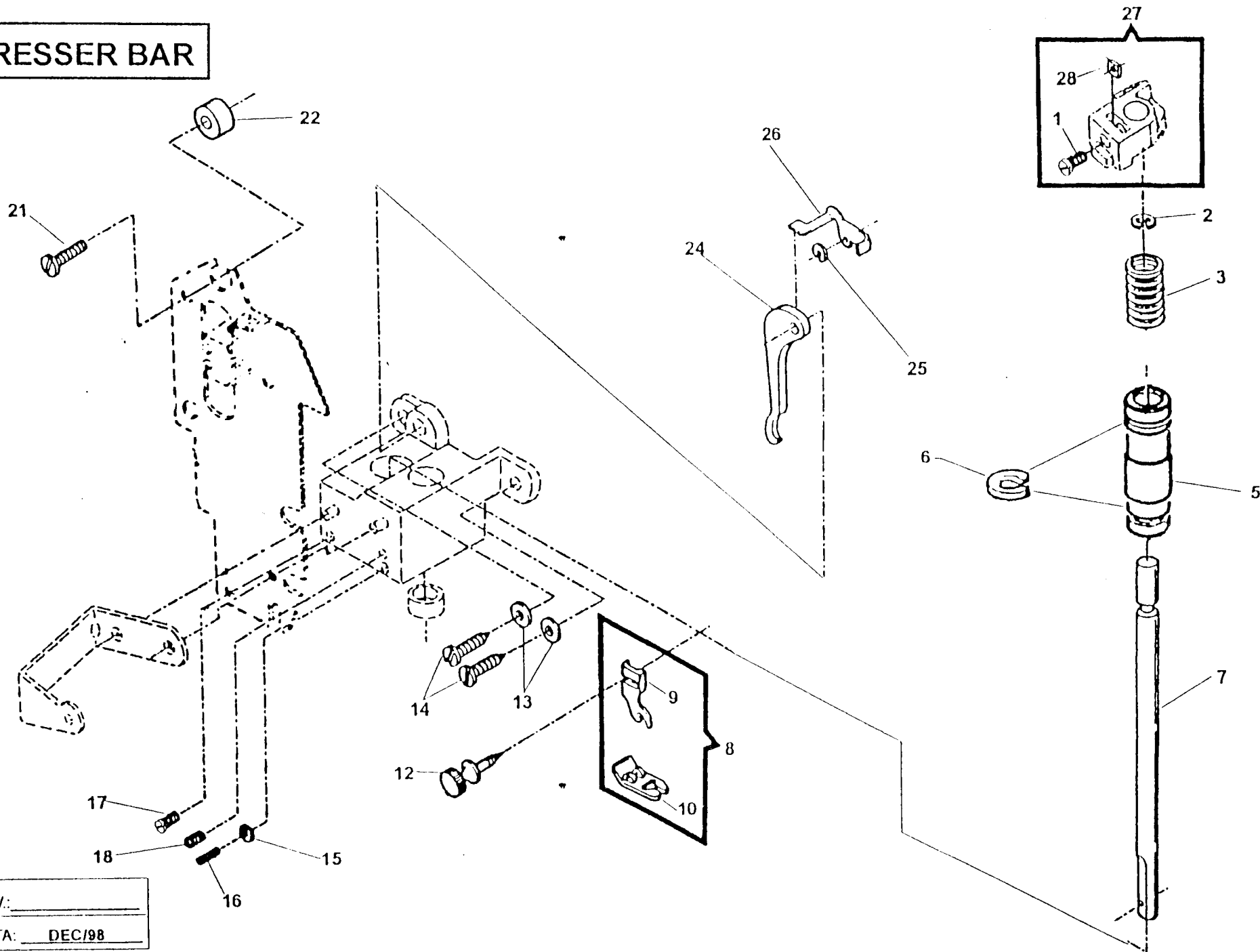
26/01/1998

PART LIST

500 series.
 .J 357672-001

Adopt.

PRESSER BAR



REV: _____
DATA: DEC/98

PART LIST
PRESSER BAR

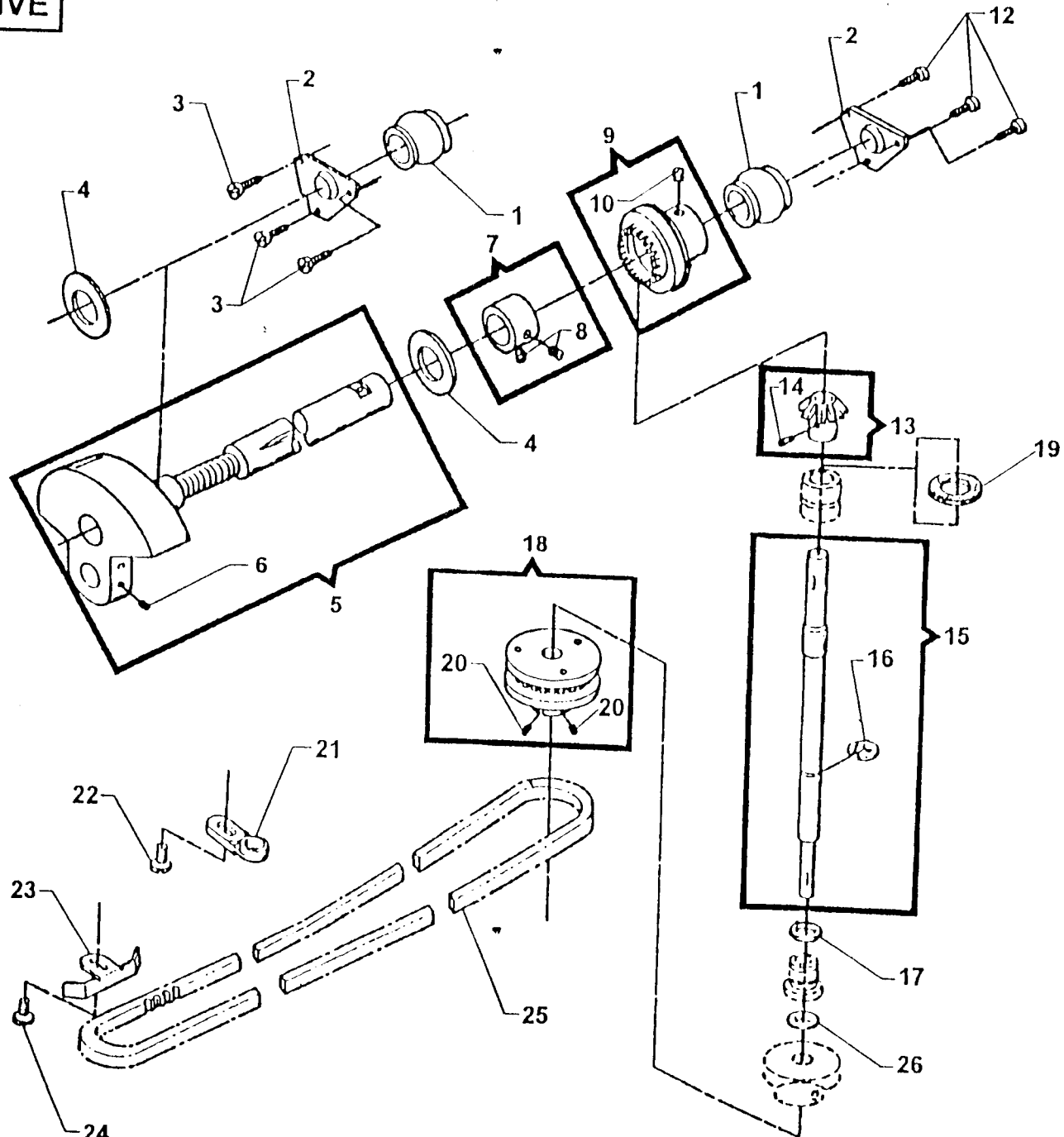
2 2 2 2 2 2 2 2 2 2 D 3 3 3 3
5 5 5 5 5 5 5 5 4 X 3 3 3 2
0 0 0 0 1 3 1 4 4 1 1 1 4 7
2 3 4 5 5 0 7 3 0 4 4 7 3 0

REF. PART NBR DESCRIPTION

01	355279-451	PRESSER BAR GUIDE BRACKET SET SCREW	X	X	X	X	X	X	X	X	X	X	X	X	X	X	X
02	353215	PRESSER BAR SPRING RETAINING RING (UPPER)	X	X	X	X	X	X	X	X	X	X	X	X	X	X	X
03	357362	PRESSER BAR SPRING	X	X	X	X	X	X	X	X	X	X	X	X	X	X	X
05	445947-001	PRESSER BAR BUSHING	X	X	X	X	X	X	X	X	X	X	X	X	X	X	X
06	357604	PRESSER BAR BUSHING LOCATING RING	X	X	X	X	X	X	X	X	X	X	X	X	X	X	X
07	357602	PRESSER BAR	X	X	X	X	X	X	X	X	X	X	X	X	X	X	X
08	446372	PRESSER FOOT (SNAP-ON) COMPLETE FOR ZIG-ZAG SEWING	X	X	X	X	X	X	X	X	X	X	X	X	X	X	X
09	155964	PRESSER FOOT SHANK (SNAP-ON)	X	X	X	X	X	X	X	X	X	X	X	X	X	X	X
10	446371	PRESSER FOOT PLATE (SNAP-ON) FOR ZIG-ZAG SEWING	X	X	X	X	X	X	X	X	X	X	X	X	X	X	X
12	354135-452	PRESSER FOOT THUMB SCREW	X	X	X	X	X	X	X	X	X	X	X	X	X	X	X
1.	353375-451	NEEDLE BAR, PRESSER BAR & VIBRATING BRACKET HOUSING	X	X	X	X	X	X	X	X	X	X	X	X	X	X	X
		MOUNTING SCREW (LOWER) WASHER	X	X	X	X	X	X	X	X	X	X	X	X	X	X	X
14	113434-451	NEEDLE BAR, PRESSER BAR & VIBRATING BRACKET HOUSING	X	X	X	X	X	X	X	X	X	X	X	X	X	X	X
		MOUNTING SCREW (LOWER)	X	X	X	X	X	X	X	X	X	X	X	X	X	X	X
15	54591-451	NEEDLE BAR OVER THROW SET SCREW NUT	X	X	X	X	X	X	X	X	X	X	X	X	X	X	X
16	354993-451	NEEDLE BAR OVER THROW SET SCREW	X	X	X	X	X	X	X	X	X	X	X	X	X	X	X
17	354906-451	PRESSER BAR BUSHING SET SCREW	X	X	X	X	X	X	X	X	X	X	X	X	X	X	X
18	355279-451	NEEDLE BAR BALL BUSHING (LOWER) ADJUSTING COLLAR SET SCREW	X	X	X	X	X	X	X	X	X	X	X	X	X	X	X
21	113455-009	NEEDLE BAR & PRESSER BAR VIBRATING BRACKET HOUSING	X	X	X	X	X	X	X	X	X	X	X	X	X	X	X
		MOUNTING SCREW (UPPER)	X	X	X	X	X	X	X	X	X	X	X	X	X	X	X
22	531627	NEEDLE BAR, PRESSER BAR & VIBR.BRAC. HOUS. MOUNTING BUSHING	X	X	X	X	X	X	X	X	X	X	X	X	X	X	X
24	356170-451	PRESSER BAR LIFTER	X	X	X	X	X	X	X	X	X	X	X	X	X	X	X
25	445486	TENSION RELEASING LEVER RETAINING RING	X	X	X	X	X	X	X	X	X	X	X	X	X	X	X
26	445925	TENSION RELEASING LEVER	X	X	X	X	X	X	X	X	X	X	X	X	X	X	X
27	357363	PRESSER BAR GUIDE BRACKET ASSEMBLY	X	X	X	X	X	X	X	X	X	X	X	X	X	X	X
28	353367-451	PRESSER BAR GUIDE BRACKET NUT	X	X	X	X	X	X	X	X	X	X	X	X	X	X	X

<u>REF.</u>	<u>NEW</u>	<u>N REPLACE OF</u>	<u>DATE</u>
01	141938-833	141925-833	01/26/1998
04	353252-000	357604	01/26/1998
03	357362	353214	01/26/1998
07	357602	314638	01/26/1998
18	355279-451	141938-833	01/26/1998
24	356170-451	446356	02/08/1998
27	357363	353212	01/26/1998

ARM SHAFT DRIVE



REV: _____
DATE: DEC/98

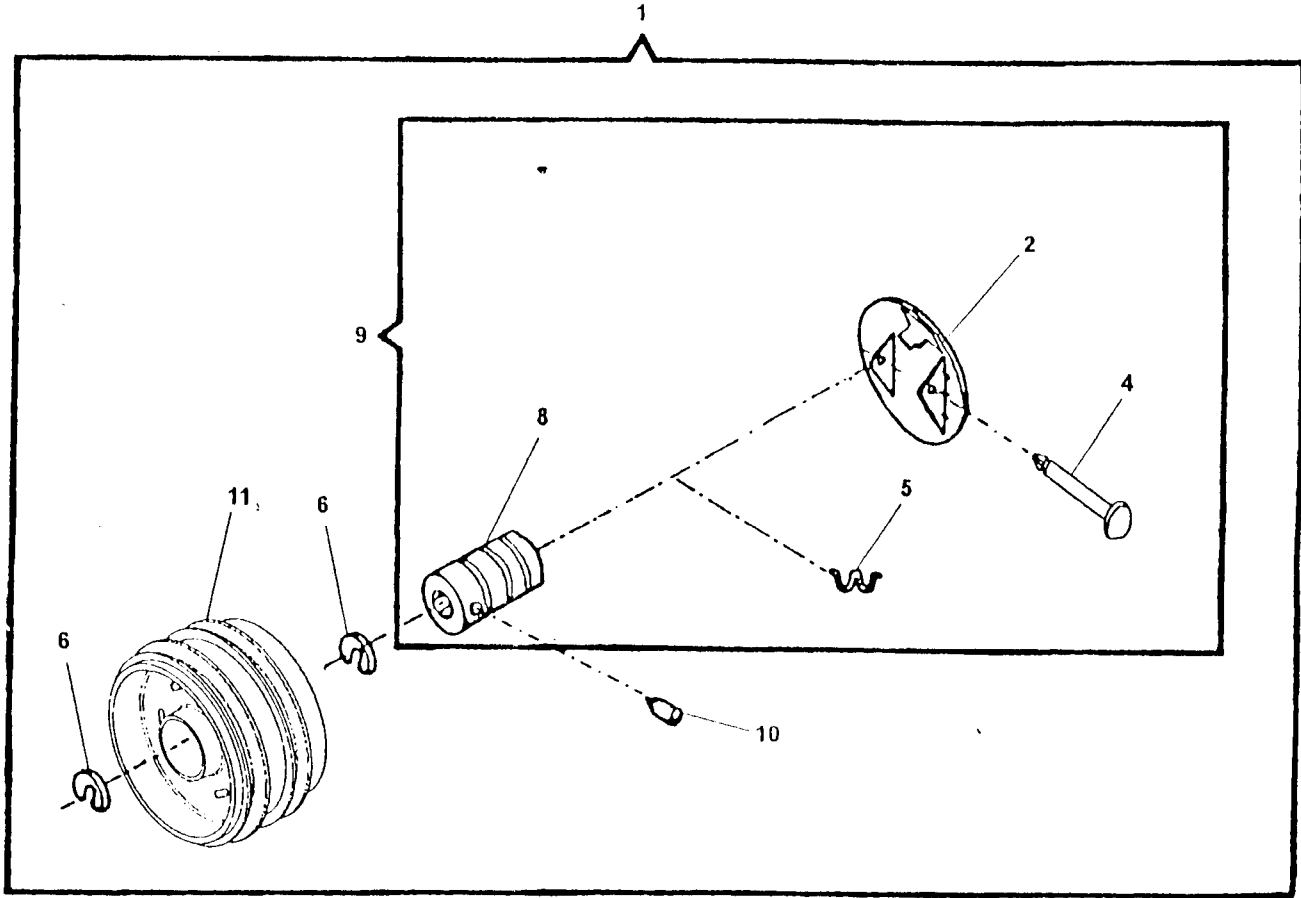
PARTS LIST
ARM SHAFT DRIVE

2 2 2 2 2 2 2 2 2 D 3 3 3 3
5 5 5 5 5 5 5 5 4 X 3 3 3 2
0 0 0 0 1 3 1 1 4 1 1 1 4 7
2 3 4 5 5 0 7 3 0 4 4 7 3 0

EF. PART NBR DESCRIPTION

446384	ARM SHAFT BUSHING (FRONT)	X	X	X	X	X	X	X	X	X	X	X	X	X
446385	ARM SHAFT BUSHING (FRONT) RETAINING BRACKET	X	X	X	X	X	X	X	X	X	X	X	X	X
113455-001	ARM SHAFT BUSHING (FRONT) RETAINING BRACKET SCREW	X	X	X	X	X	X	X	X	X	X	X	X	X
319764	ARM SHAFT (HORIZONTAL) RETAINING COLLAR WASHER	X	X	X	X	X	X	X	X	X	X	X	X	X
531684	ARM SHAFT COMPLETE	X	X	X	X	X	X	X	X	X	X	X	X	X
354105-833	NEEDLE BAR CRANK POSITION SET SCREW	X	X	X	X	X	X	X	X	X	X	X	X	X
353580	ARM SHAFT (HORIZONTAL) RETAINING COLLAR	X	X	X	X	X	X	X	X	X	X	X	X	X
113500-451	ARM SHAFT (HORIZONTAL) RETAINING COLLAR SET SCREW	X	X	X	X	X	X	X	X	X	X	X	X	X
353272	ARM SHAFT (HORIZONTAL) BEVEL GEAR & FEED LIFTING (ECCENTRIC) COMPLETE	X	X	X	X	X	X	X	X	X	X	X	X	X
354813-451	ARM SHAFT (HORIZONTAL) BEVEL GEAR & FEED LIFTING (ECCENTRIC) SET SCREW	X	X	X	X	X	X	X	X	X	X	X	X	X
353413	ARM SHAFT (HORIZONTAL) BEVEL GEAR & FEED LIFTING (ECCENTRIC) WASHER (PLASTIC)	X	X	X	X	X	X	X	X	X	X	X	X	X
113455-001	ARM SHAFT BUSHING (REAR) RETAINING BRACKET SCREW	X	X	X	X	X	X	X	X	X	X	X	X	X
353273-002	ARM SHAFT (UPRIGHT) BEVEL GEAR (PLASTIC)	X	X	X	X	X	X	X	X	X	X	X	X	X
354105-833	ARM SHAFT (UPRIGHT) BEVEL GEAR SET SCREW	X	X	X	X	X	X	X	X	X	X	X	X	X
179952-002	ARM SHAFT (UPRIGHT) ASSEMBLY	X	X	X	X	X	X	X	X	X	X	X	X	X
353215	ARM SHAFT (UPRIGHT) RETAINING RING	X	X	X	X	X	X	X	X	X	X	X	X	X
353394	ARM SHAFT (UPRIGHT) RETAINING RING WASHER	X	X	X	X	X	X	X	X	X	X	X	X	X
353438-001	ARM SHAFT (UPRIGHT) BELT DRIVE PULLEY	X	X	X	X	X	X	X	X	X	X	X	X	X
356819	ARM SHAFT (UPRIGHT) BELT WASHER	X	X	X	X	X	X	X	X	X	X	X	X	X
354906-451	ARM SHAFT (UPRIGHT) BELT DRIVE PULLEY RETAINING COLAR SET SCREW	X	X	X	X	X	X	X	X	X	X	X	X	X
531630	ROTATING HOOK DRIVE BELT TENSION ADJUSTER	X	X	X	X	X	X	X	X	X	X	X	X	X
113453-003	ROTATING HOOK DRIVE BELT TENSIONER SCREW	X	X	X	X	X	X	X	X	X	X	X	X	X
446376	BELT RETAINER (LEFT)	X	X	X	X	X	X	X	X	X	X	X	X	X
113455-001	BELT RETAINER (LEFT) SCREW	X	X	X	X	X	X	X	X	X	X	X	X	X
446237	BELT (ROTATING HOOK DRIVE)	X	X	X	X	X	X	X	X	X	X	X	X	X
319826	ARM SHAFT (UPRIGHT) BELT DRIVE PULLEY WASHER	X	X	X	X	X	X	X	X	X	X	X	X	X

HAND WHEEL



REV: _____
DATE: DEC/98

**PART LIST
HAND WHEEL**

2 2 2 2 2 2 2 2 2 2 D 3 3 3 3
5 5 5 5 5 5 5 5 4 X 3 3 3 2
0 0 0 0 1 3 1 4 4 1 1 1 4 7
2 3 4 5 5 0 7 3 0 4 4 7 3 0

REF. PART NBR DESCRIPTION

01	357395-451	HAND WHEEL (PLASTIC) COMPLETE	X	X	X	X	X	X	X	X	X	X	X	X	X	X
02	357367-901	HAND WHEEL DISENGAGING CLUTCH ENGAGING PLATE COVER	X	X	X	X	X	X	X	X	X	X	X	X	X	X
04	357364	HAND WHEEL DISENGAGING CLUTCH ENGAGING PLATE HINGE PIN	X	X	X	X	X	X	X	X	X	X	X	X	X	X
05	357365	HAND WHEEL DISENGAGING CLUTCH ACTUATING SPRING	X	X	X	X	X	X	X	X	X	X	X	X	X	X
06	446387	HAND WHEEL RETAINING RING (TREADLE/ELECTRIC)	X	X	X	X	X	X	X	X	X	X	X	X	X	X
08	357359	HAND WHEEL DISENGAGING CLUTCH BUSHING	X	X	X	X	X	X	X	X	X	X	X	X	X	X
09	357368-452	HAND WHEEL DISENGAGING CLUTCH BUSHING COMPLETE	X	X	X	X	X	X	X	X	X	X	X	X	X	X
10	354813-451	HAND WHEEL DISENGAGING CLUTCH BUSHING SCREW	X	X	X	X	X	X	X	X	X	X	X	X	X	X
11	357396-451	HAND WHEEL (PLASTIC)	X	X	X	X	X	X	X	X	X	X	X	X	X	X

REF.

NEW

IN REPLACE OF

DATE

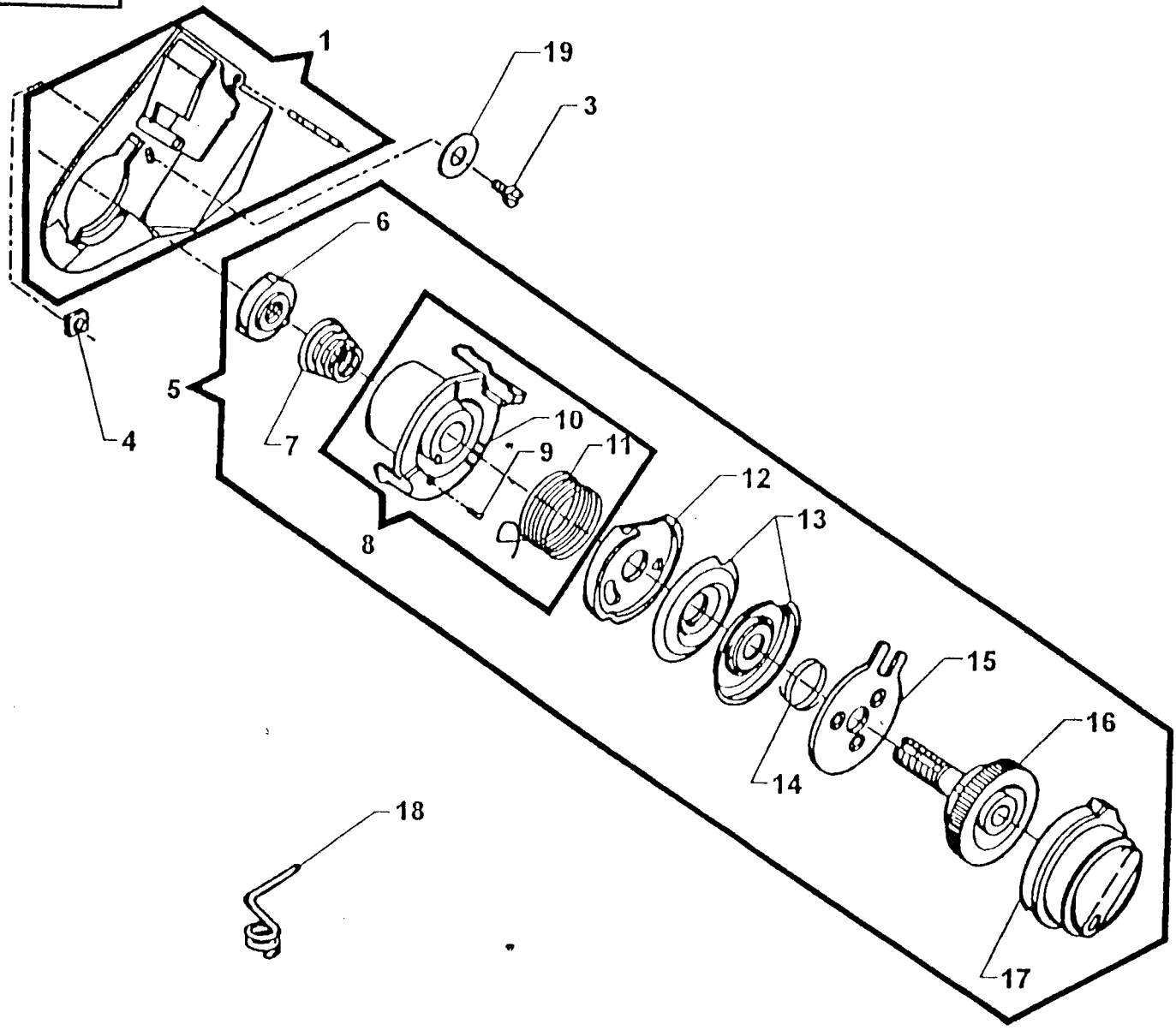
6,
11

356581-452
356582-452

357396-451
357396-451

02/05/1996
02/05/1996

TENSION MECHANISM



REV: _____
DATA: DEC/98

PART LIST
TENSION MECHANISM

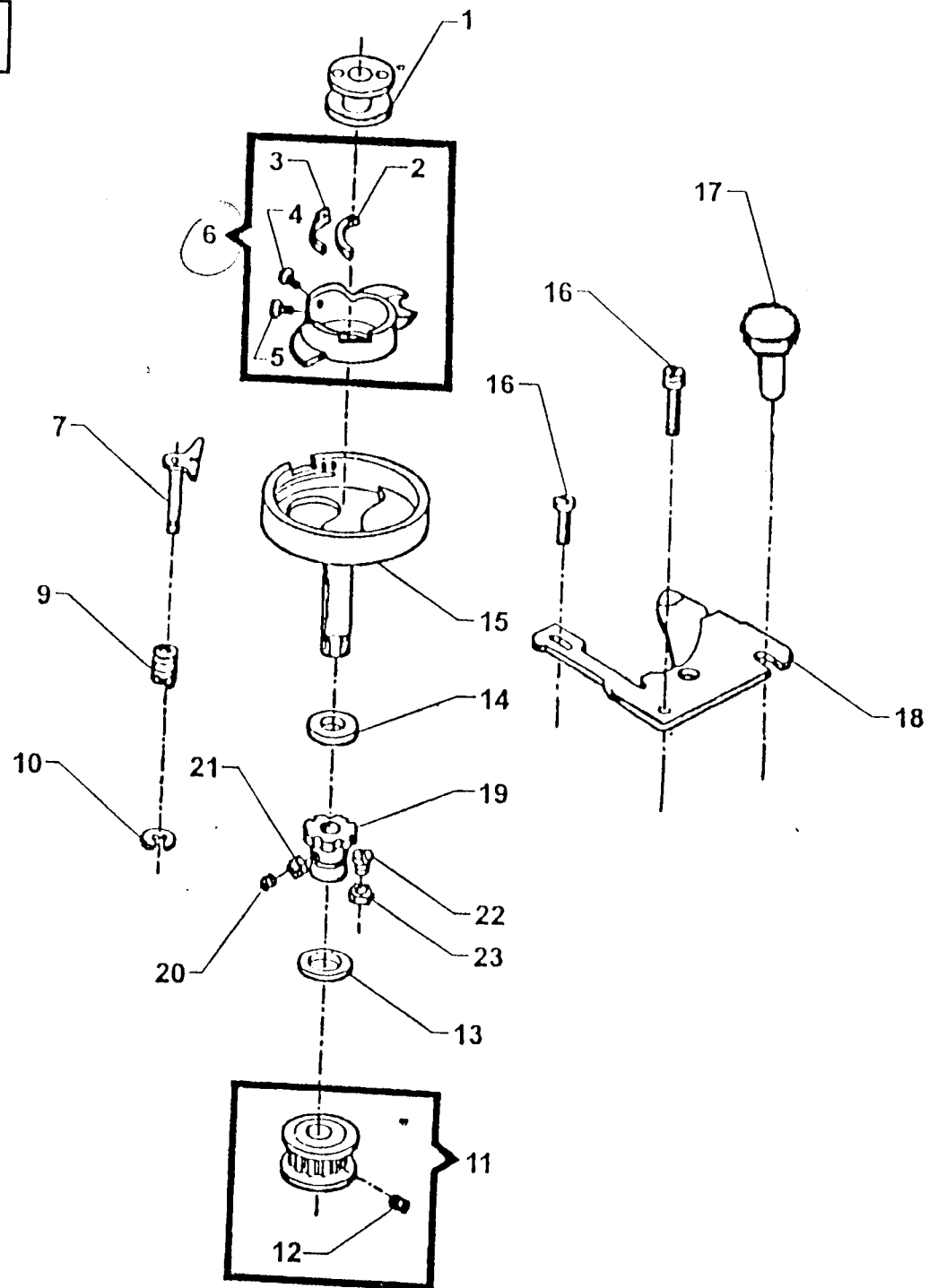
2 2 2 2 2 2 2 2 2 2 D 3 3 3 3
5 5 5 5 5 5 5 5 4 X 3 3 3 2
0 0 0 0 1 3 1 4 4 1 1 1 4 7
2 3 4 5 5 0 7 3 0 4 4 7 3 0

REF. PART NBR DESCRIPTION

01	356040-452	TENSION MECHANISM SHROUDER ASSEMBLY
03	355236-451	TENSION THREAD GUIDE SCREW
04	514698-451	TENSION THREAD GUIDE SCREW NUT
05	356088-457	TENSION MECHANISM ASSEMBLY
06	356095	TENSION STUD NUT
07	356096	TENSION SPRING
08	356245	TENSION MECHANISM SUPPORT ASSEMBLY
09	356246-900	TENSION MECHANISM SUPPORT PIN
10	356089	TENSION MECHANISM SUPPORT
11	356097	THREAD TAKE-UP SPRING
12	356091	THREAD TAKE-UP SPRING THREAD GUARD
13	356094	TENSION DISC
14	356216	TENSION DISC PRESSURE PLATE SPRING
15	356177	TENSION DISC PRESSURE PLATE
16	356092-451	TENSION INDICATOR WITH STUD
17	356090-457	TENSION INDICATOR DIAL
18	445784	THREAD GUIDE (LOWER)
19	356443	TENSION THREAD GUIDE SCREW WASHER

X	X	X	X	X	X	X	X	X	X	X	X	X	X	X
X	X	X	X	X	X	X	X	X	X	X	X	X	X	X
X	X	X	X	X	X	X	X	X	X	X	X	X	X	X
X	X	X	X	X	X	X	X	X	X	X	X	X	X	X
X	X	X	X	X	X	X	X	X	X	X	X	X	X	X
X	X	X	X	X	X	X	X	X	X	X	X	X	X	X
X	X	X	X	X	X	X	X	X	X	X	X	X	X	X
X	X	X	X	X	X	X	X	X	X	X	X	X	X	X
X	X	X	X	X	X	X	X	X	X	X	X	X	X	X
X	X	X	X	X	X	X	X	X	X	X	X	X	X	X
X	X	X	X	X	X	X	X	X	X	X	X	X	X	X
X	X	X	X	X	X	X	X	X	X	X	X	X	X	X
X	X	X	X	X	X	X	X	X	X	X	X	X	X	X
X	X	X	X	X	X	X	X	X	X	X	X	X	X	X
X	X	X	X	X	X	X	X	X	X	X	X	X	X	X
X	X	X	X	X	X	X	X	X	X	X	X	X	X	X

ROTATING HOOK



REV: _____
DATA: DEC/98

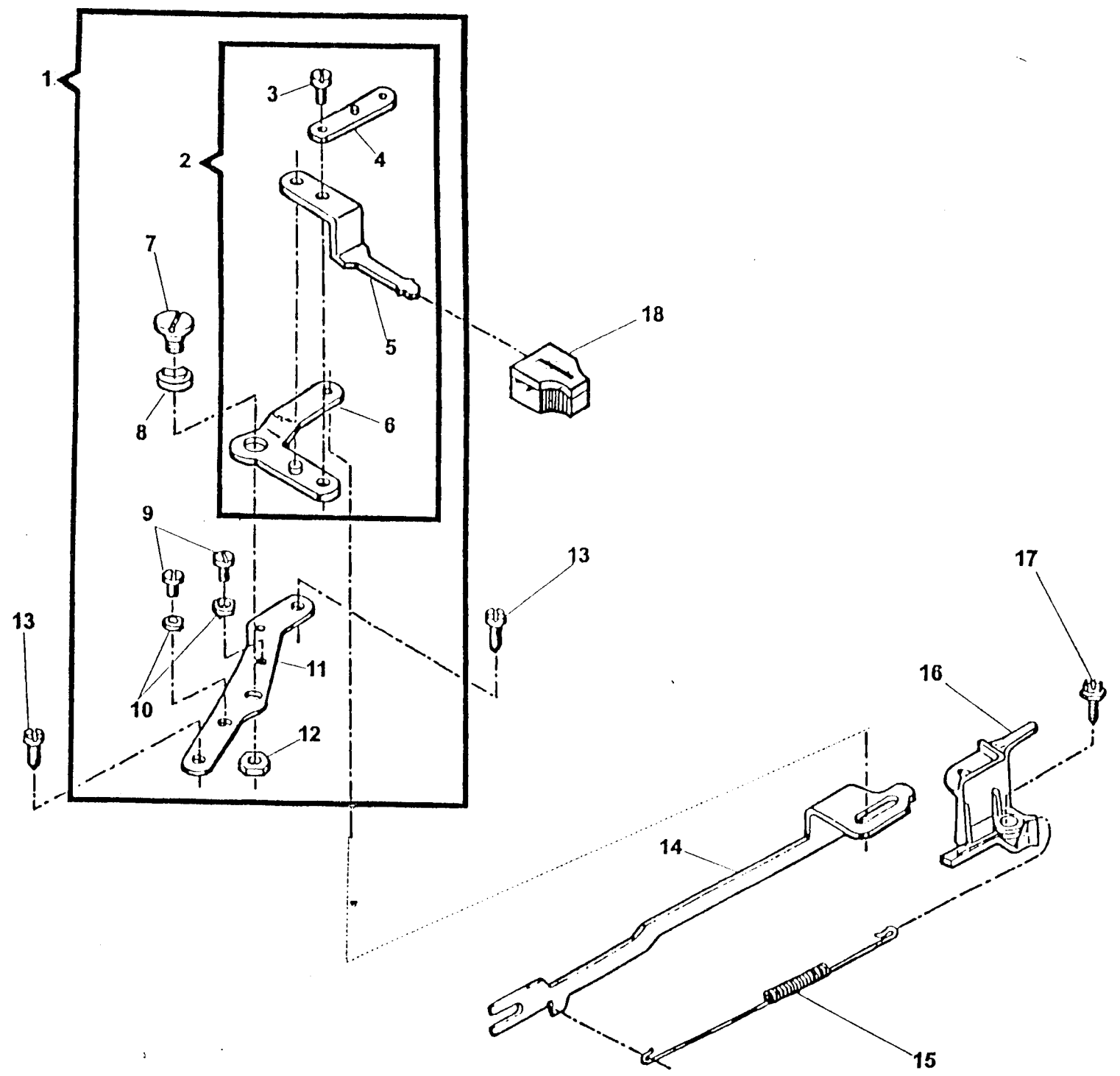
ROTATING HOOK

2 2 2 2 2 2 2 2 2 2 D 3 3 3 3
 5 5 5 5 5 5 5 5 4 X 3 3 3 2
 0 0 0 0 1 3 1 4 4 1 1 1 4 7
 2 3 4 5 5 0 7 3 0 4 4 7 3 0

REF. PART NBR DESCRIPTION

01	172336	ROTATING HOOK BOBBIN	X	X	X	X	X	X	X	X	X	X	X	X
02	356490-451	ROTATING HOOK BOBBIN CASE TENSION SPRING SEGMENT	X	X	X	X	X	X	X	X	X	X	X	X
03	314715	ROTATING HOOK BOBBIN CASE TENSION SPRING	X	X	X	X	X	X	X	X	X	X	X	X
04	355254-451	ROTATING HOOK BOBBIN CASE TENSION REGULATING SCREW	X	X	X	X	X	X	X	X	X	X	X	X
05	139975-452	ROTATING HOOK BOBBIN CASE TENSION SPRING SEGMENT SCREW	X	X	X	X	X	X	X	X	X	X	X	X
06	421325	ROTATING HOOK BOBBIN CASE	X	X	X	X	X	X	X	X	X	X	X	X
07	353511	ROTATING HOOK BOBBIN CASE RETAINING PLATE ASSEMBLY	X	X	X	X	X	X	X	X	X	X	X	X
08	445808	ROTATING HOOK BOBBIN CASE RETAINING PLATE STUD WASHER	X	X	X	X	X	X	X	X	X	X	X	X
09	44892	ROTATING HOOK BOBBIN CASE RETAINING PLATE STUD SPRING	X	X	X	X	X	X	X	X	X	X	X	X
10	446417	ROTATING HOOK BOBBIN CASE RETAINING PLATE RETAINING RING	X	X	X	X	X	X	X	X	X	X	X	X
11	446235	ROTATING HOOK BELT DRIVE PULLEY	X	X	X	X	X	X	X	X	X	X	X	X
12	141803-451	ROTATING HOOK BELT DRIVE PULLEY SCREW	X	X	X	X	X	X	X	X	X	X	X	X
13	382861-906	ROTATING HOOK BELT DRIVE PULLEY WASHER	X	X	X	X	X	X	X	X	X	X	X	X
14	353453	ROTATING HOOK WEAR WASHER	X	X	X	X	X	X	X	X	X	X	X	X
15	353366	ROTATING HOOK COMPLETE	X	X	X	X	X	X	X	X	X	X	X	X
16	354917-451	ROTATING HOOK BOBBIN CASE POSITION PLATE SCREW	X	X	X	X	X	X	X	X	X	X	X	X
17	357349-451	ROTATING HOOK BOBBIN CASE POSITION PLATE PIN (PLASTIC)	X	X	X	X	X	X	X	X	X	X	X	X
18	44873-001	ROTATING HOOK BOBBIN CASE POSITION PLATE	X	X	X	X	X	X	X	X	X	X	X	X
19	353410-900	ROTATING HOOK BUSHING	X	X	X	X	X	X	X	X	X	X	X	X
20	141938-833	ROTATING HOOK BUSHING SET SCREW	X	X	X	X	X	X	X	X	X	X	X	X
21	353367-451	ROTATING HOOK BUSHING SET SCREW NUT	X	X	X	X	X	X	X	X	X	X	X	X
22	141844-451	ROTATING HOOK BUSHING ADJUSTING SCREW	X	X	X	X	X	X	X	X	X	X	X	X
23	618638-005	ROTATING HOOK BUSHING ADJUSTING SCREW NUT	X	X	X	X	X	X	X	X	X	X	X	X

BIGHT AMPLITUDE



REV: _____
DATA: DEC/98

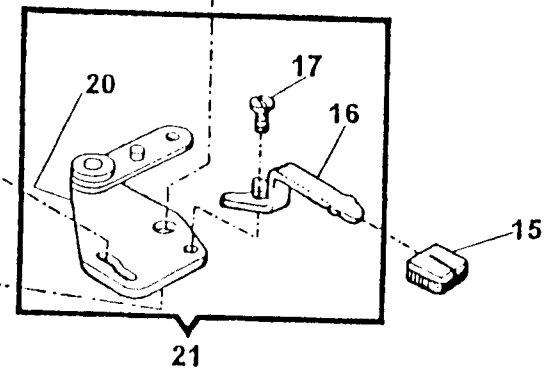
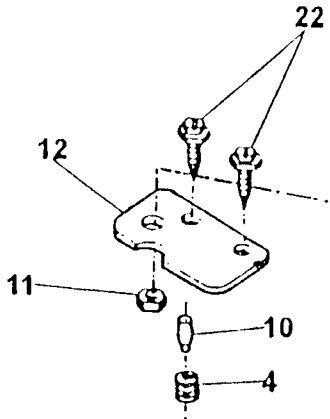
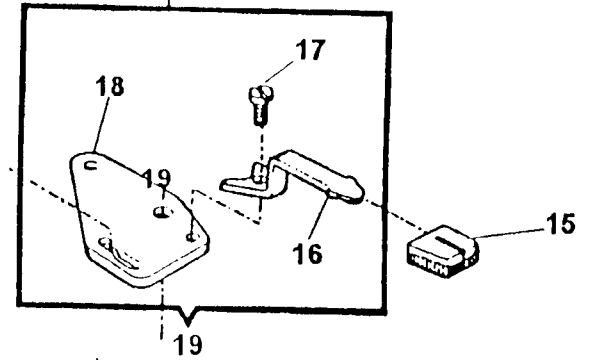
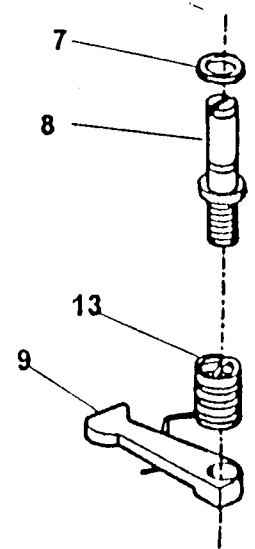
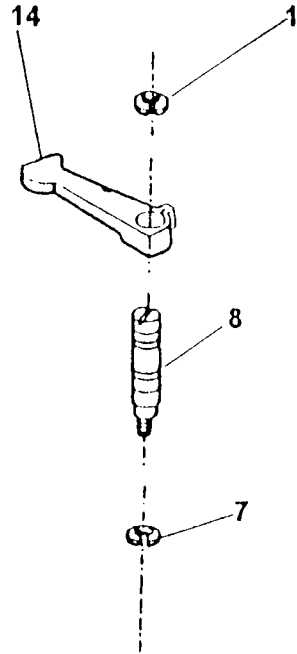
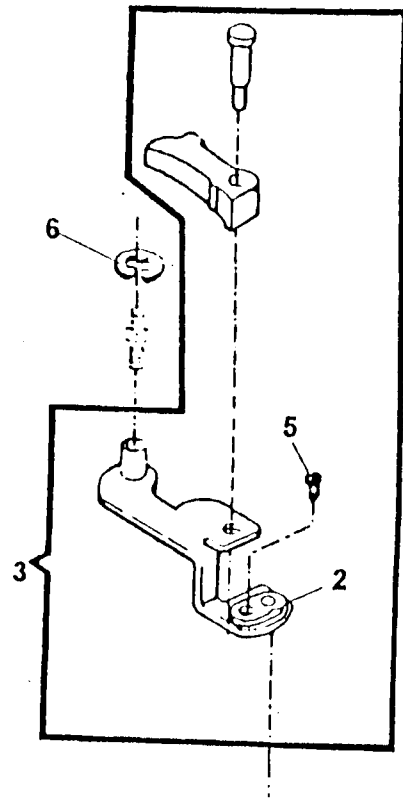
**PART LIST
BIGHT AMPLITUDE**

2 2 2 2 2 2 2 2 2 2 D 3 3 3 3
5 5 5 5 5 5 5 5 4 X 3 3 3 2
0 0 0 0 1 3 1 4 4 1 1 1 4 7
2 3 4 5 5 0 7 3 0 4 4 7 3 0

REF. PART NBR DESCRIPTION

446398	BIGHT AMPLITUDE CONTROL LEVER MOUNTING BRACKET COMPLETE	X	X	-	X	-	-	X	-	X	X	X	X	-	-
179893	BIGHT AMPLITUDE CONTROL LEVER MOUNTING BRACKET COMPLETE	-	-	X	-	X	X	-	X	-	-	-	-	X	X
446395	BIGHT AMPLITUDE CONTROL LEVER SUB-ASSEMBLY	X	X	-	X	-	-	X	-	X	X	X	X	-	-
446342	BIGHT AMPLITUDE CONTROL LEVER SUB-ASSEMBLY	-	-	X	-	X	X	-	X	-	-	-	-	X	X
141913-451	BIGHT AMPLITUDE CONTROL LEVER SCREW	X	X	-	X	-	-	X	-	X	X	X	X	-	-
139866-451	BIGHT AMPLITUDE CONTROL LEVER SCREW	-	-	X	-	X	X	-	X	-	-	-	-	X	X
44556	BUTTONHOLER BIGHT CONTROL CAM FOLLOWER LEVER LINK (LEFT)	-	-	X	-	X	X	-	X	-	-	-	-	X	X
446394	BIGHT AMPLITUDE CONTROL LEVER	X	X	X	X	X	X	X	X	X	X	X	X	X	X
37246	BIGHT AMPLITUDE CONTROL LEVER LINK	X	X	X	X	X	X	X	X	X	X	X	X	X	X
354825-451	BIGHT AMPLITUDE CONTROL LEVER LINK HINGE SCREW	X	X	X	X	X	X	X	X	X	X	X	X	X	X
49204	BIGHT AMPLITUDE CONTROL LEVER LINK HINGE SCREW FRICTION WASHER	X	X	X	X	X	X	X	X	X	X	X	X	X	X
141913-451	BIGHT AMPLITUDE CONTROL LEVER LINK STOP SCREW	X	X	X	X	X	X	X	X	X	X	X	X	X	X
446904	BIGHT AMPLITUDE CONTROL LEVER LINK STOP	X	X	X	X	X	X	X	X	X	X	X	X	X	X
531793	BIGHT AMPLITUDE CONTROL LEVER MOUNTING BRACKET	X	X	X	X	X	X	X	X	X	X	X	X	X	X
54591-451	BIGHT AMPLITUDE CONTROL LEVER LINK HINGE SCREW NUT	X	X	X	X	X	X	X	X	X	X	X	X	X	X
113455-001	BIGHT AMPLITUDE CONTROL LEVER MOUNTING BRACKET SCREW	X	X	X	X	X	X	X	X	X	X	X	X	X	X
37933-002	NEEDLE BAR DRIVING ARM	X	X	X	X	X	X	X	X	X	X	X	X	X	X
37942	NEEDLE BAR DRIVING ARM TENSION SPRING	X	X	X	X	X	X	X	X	X	X	X	X	X	X
445780	LIGHT LEAD SHIELD & NEEDLE BAR DRIVING ARM TENSION SPRING MOUNTING PLATE	X	X	X	X	X	X	X	X	X	X	X	X	X	X
113455-009	LIGHT LEAD SHIELD & NEEDLE BAR DRIVING ARM TENSION SPRING MOUNTING PLATE SCREW	X	X	X	X	X	X	X	X	X	X	X	X	X	X
356981-452	BIGHT AMPLITUDE CONTROL LEVER KNOB (PLASTIC) (GRAY)	X	X	X	X	X	X	X	X	X	X	X	X	X	X

NEEDLE POSITION



REV: _____
DATE: DEC/98

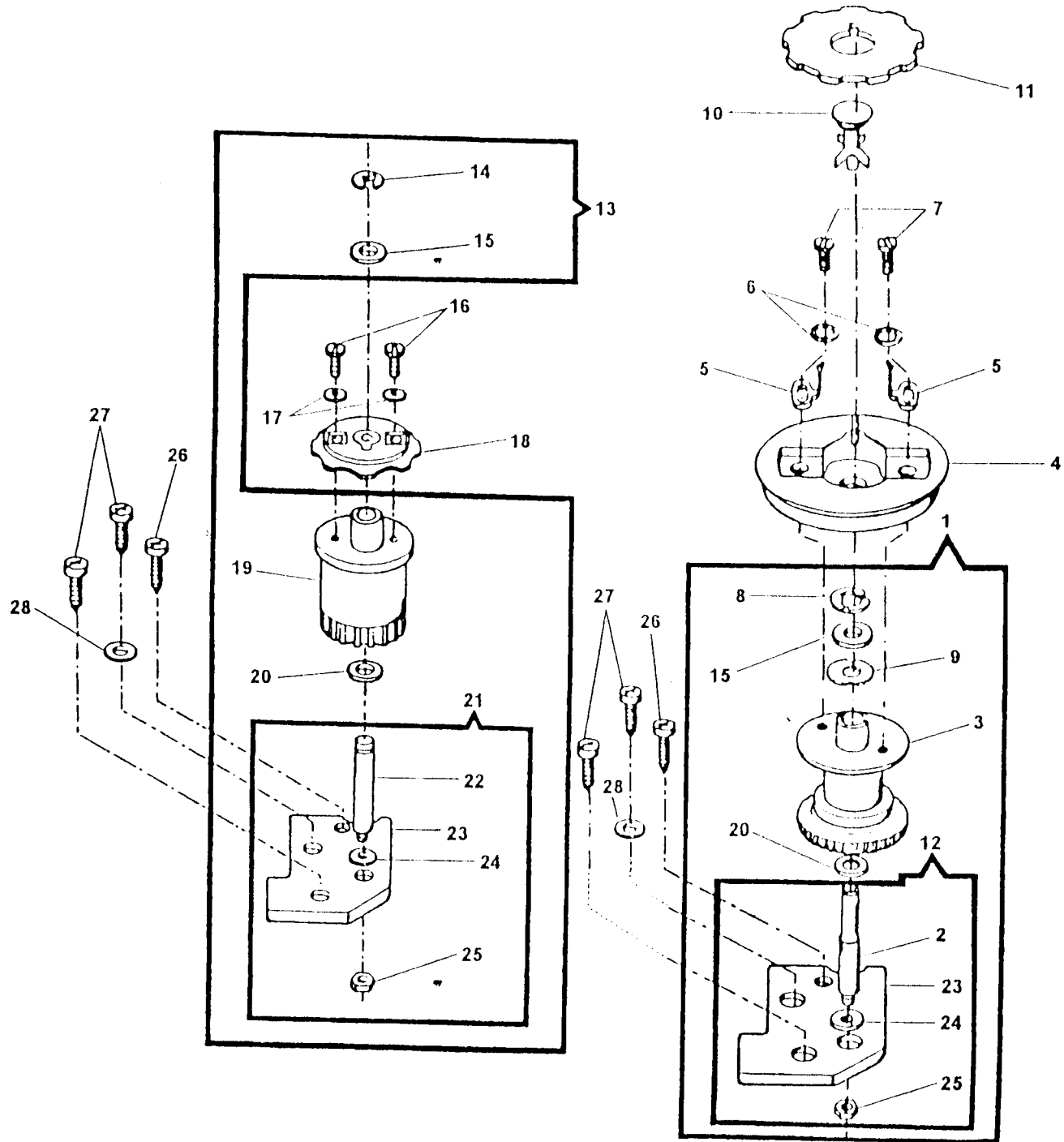
**PART LIST *
NEEDLE POSITION**

2 2 2 2 2 2 2 2 2 2 D 3 3 3 3
5 5 5 5 5 5 5 5 4 X 3 3 3 2
0 0 0 0 1 3 1 4 4 1 1 1 4 7
2 3 4 5 5 0 7 3 0 4 4 7 3 0

REF. PART NBR DESCRIPTION

01	44371	DISC FOLLOWER STUD RETAINING RING (UPPER)	X	-	-	-	-	-	-	-	-	X	X	-	-	-
02	531736	NEEDLE POSITION SELECTOR BRACKET FOLLOWER STUD ARM ASSEMBLY	X	X	X	X	X	X	X	X	X	X	X	X	X	X
03	356636	NEEDLE BAR DRIVING ARM SLIDE BRACKET COMPLETE	X	X	X	X	X	X	X	X	X	X	X	X	X	X
04	444800	NEEDLE POSITION SELECTOR LEVER BRACKET POSITIONING PIN SPRING	X	X	X	X	X	X	X	X	X	X	X	X	X	X
05	141913-451	NEEDLE POSITION LEVER BRACKET STUD ARM SET SCREW	X	X	X	X	X	X	X	X	X	X	X	X	X	X
06	445721	NEEDLE BAR DRIVING ARM SLIDE BRACKET RETAINING RING	X	X	X	X	X	X	X	X	X	X	X	X	X	X
07	44371	DISC FOLLOWER STUD RETAINING RING (LOWER)	X	X	X	X	X	X	X	X	X	X	X	X	X	X
08	446023	DISC FOLLOWER STUD	X	X	X	X	X	X	X	X	X	X	X	X	X	X
09	445646	DISC FOLLOWER	X	X	X	X	X	X	X	X	X	X	X	X	X	X
10	356228	NEEDLE POSITION SELECTOR LEVER BRACKET POSITIONING PIN	X	X	X	X	X	X	X	X	X	X	X	X	X	X
11	54591-451	DISC FOLLOWER STUD NUT	X	X	X	X	X	X	X	X	X	X	X	X	X	X
12	446401	NEEDLE POSITION SELECTOR LEVER MOUNTING PLATE	-	X	X	X	X	X	X	X	-	-	X	X	X	X
13	356904	DISC FOLLOWER SPRING	X	-	-	-	-	-	-	-	-	X	X	-	-	-
14	445646	DISC FOLLOWER	X	X	X	X	X	X	X	X	X	X	X	X	X	X
15	356961-452	NEEDLE POSITION SELECTOR LEVER KNOB (PLASTIC) (GRAY)	X	X	X	X	X	X	X	X	X	X	X	X	X	X
16	446397	NEEDLE POSITION SELECTOR LEVER	X	X	X	X	X	X	X	X	X	X	X	X	X	X
17	141913-451	NEEDLE POSITION SELECTOR LEVER SCREW	X	X	X	X	X	X	X	X	X	X	X	X	X	X
18	353547	NEEDLE POSITION SELECTOR LEVER BRACKET	X	X	-	-	-	-	-	-	-	X	X	-	-	-
19	446399	NEEDLE POSITION SELECTOR LEVER ASSEMBLY	X	X	-	-	-	-	-	-	-	X	X	-	-	-
20	44628	NEEDLE POSITION SELECTOR LEVER BRACKET ASSEMBLY	-	-	X	X	X	X	X	X	-	-	X	X	X	X
21	446400	NEEDLE POSITION SELECTOR LEVER BRACKET COMPLETE	-	-	X	X	X	X	X	X	-	-	X	X	X	X
22	113455-001	NEEDLE POSITION SELECTOR LEVER MOUNTING PLATE SCREW	X	X	X	X	X	X	X	X	X	X	X	X	X	X

CAM STACK



REV.: _____
DATE: DEC/98

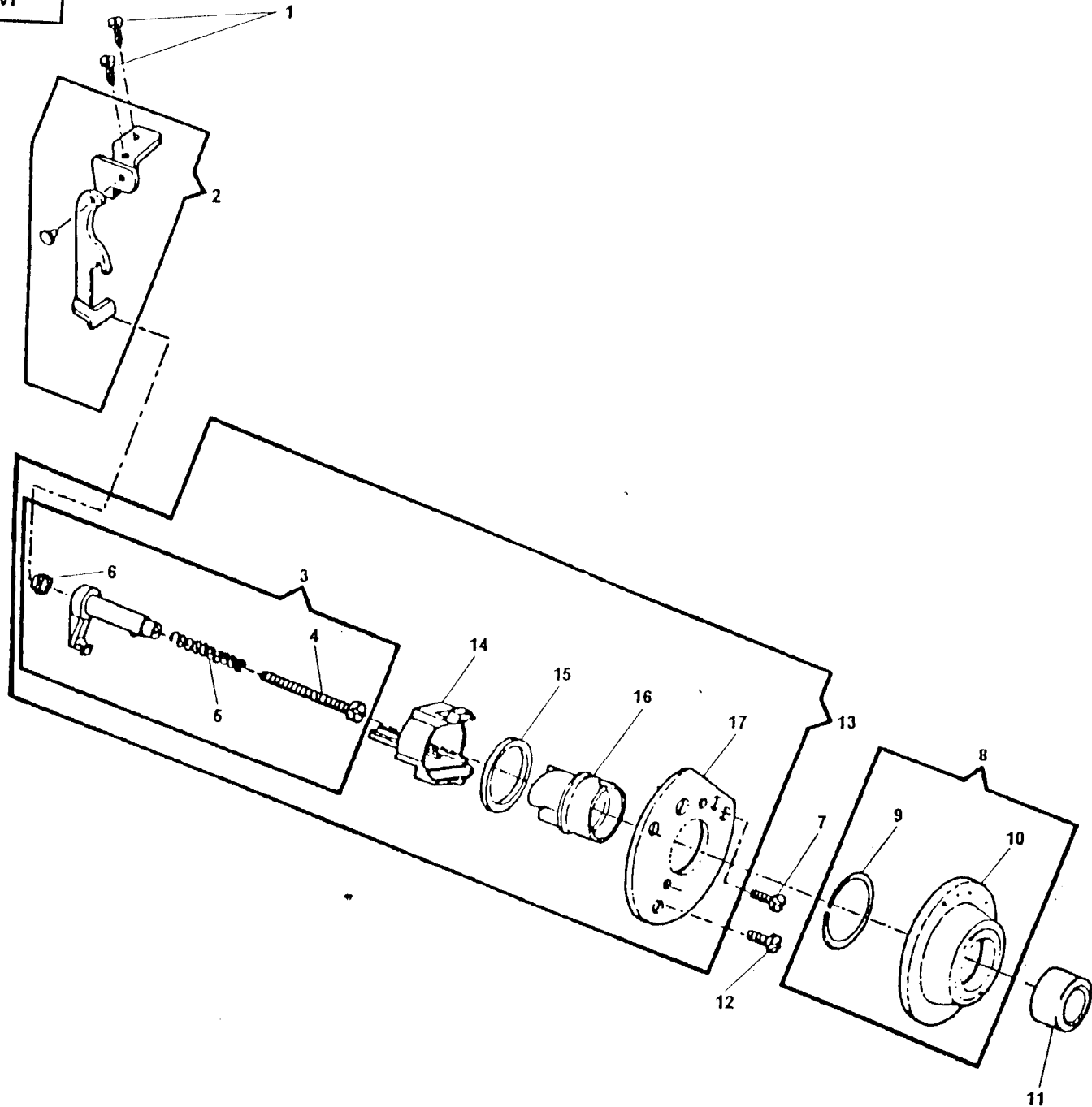
PART LIST
CAM STACK

2 2 2 2 2 2 2 2 2 2 D 3 3 3 3
5 5 5 5 5 5 5 5 4 X 3 3 3 2
0 0 0 0 1 3 1 4 4 1 1 1 4 7
2 3 4 5 5 0 7 3 0 4 4 7 3 0

REF. PART NBR DESCRIPTION

356763-930	DISC DRIVING GEAR COMPLETE	-	X	X	X	X	X	X	X	X	-	-	X	X	X
356765-900	DISC DRIVING GEAR SHAFT	-	X	X	X	X	X	X	X	X	-	-	X	X	X
444911	DISC DRIVING GEAR SHAFT ASSEMBLY	-	X	X	X	X	X	X	X	X	-	-	X	X	X
446176	DISC DRIVING GEAR POSITIONING ADJUSTING SPACER	-	X	X	X	X	X	X	X	X	-	-	X	X	X
444908	DISC DRIVING GEAR RETAINING SPRING	-	X	X	X	X	X	X	X	X	-	-	X	X	X
446138	DISC DRIVING GEAR POSITIONING ADJUSTING SPACER SCREW	-	X	X	X	X	X	X	X	X	-	-	X	X	X
	WASHER	-	X	X	X	X	X	X	X	X	-	-	X	X	X
141920-451	DISC DRIVING GEAR POSITIONING ADJUSTING SPACER SCREW	-	X	X	X	X	X	X	X	X	-	-	X	X	X
603908-001	DISC DRIVING GEAR RETAINING RING	-	X	X	X	X	X	X	X	X	-	-	X	X	X
444903-453	DISC DRIVING GEAR RELEASING BRACKET RETAINING WASHER	-	X	X	X	X	X	X	X	X	-	-	X	X	X
444906	DISC DRIVING GEAR RELEASING BRACKET STUD COMPLETE	-	X	X	X	X	X	X	X	X	-	-	X	X	X
276301	DISC NBR 1 (FOR ZIG-ZAG STITCH)	-	X	X	X	X	X	X	X	X	-	-	X	X	X
356764	DISC DRIVING GEAR SHAFT MOUNTING PLATE ASSEMBLY	X	-	-	-	-	-	-	-	-	-	-	X	X	-
446421-930	DISC DRIVING GEAR COMPLETE	X	-	-	-	-	-	-	-	-	-	-	X	X	-
444921	DISC DRIVING GEAR RETANING RING	X	X	X	X	X	X	X	X	X	X	X	X	X	X
444923-453	DISC DRIVING GEAR SHAFT FRICTION WASHER	X	-	-	-	-	-	-	-	-	-	-	X	X	-
113375-451	DISC STACK POSITIONING SCREW	X	-	-	-	-	-	-	-	-	-	-	X	X	-
446138	DISC STACK POSITIONING WASHER	X	-	-	-	-	-	-	-	-	-	-	X	X	-
445762	DISC STACK (PLASTIC)	X	X	X	X	X	X	X	X	X	X	X	X	X	X
353424	DISC DRIVING GEAR SHAFT SPACER	X	-	-	-	-	-	-	-	-	-	-	X	X	-
446420	DISC DRIVING GEAR SHAFT MOUNTING PLATE ASSEMBLY	X	-	-	-	-	-	-	-	-	-	-	X	X	-
446418	DISC DRIVING GEAR SHAFT	X	X	X	X	X	X	X	X	X	X	X	X	X	X
353575	DISC DRIVING GEAR SHAFT MOUNTING PLATE	X	X	X	X	X	X	X	X	X	X	X	X	X	X
353488	DISC DRIVING GEAR SHAFT WASHER	X	X	X	X	X	X	X	X	X	X	X	X	X	X
53648-451	DISC DRIVING GEAR SHAFT NUT	X	X	X	X	X	X	X	X	X	X	X	X	X	X
113455-001	DISC DRIVING GEAR SHAFT MOUNTING PLATE SCREW	X	X	X	X	X	X	X	X	X	X	X	X	X	X
113435-451	DISC DRIVING GEAR SHAFT MOUNTING PLATE SCREW	X	X	X	X	X	X	X	X	X	X	X	X	X	X
353375-451	DISC DRIVING GEAR SHAFT MOUNTING PLATE SCREW WASHER	X	X	X	X	X	X	X	X	X	X	X	X	X	X

FEED REGULATOR CAM



REV: _____
DATE: DEC/98

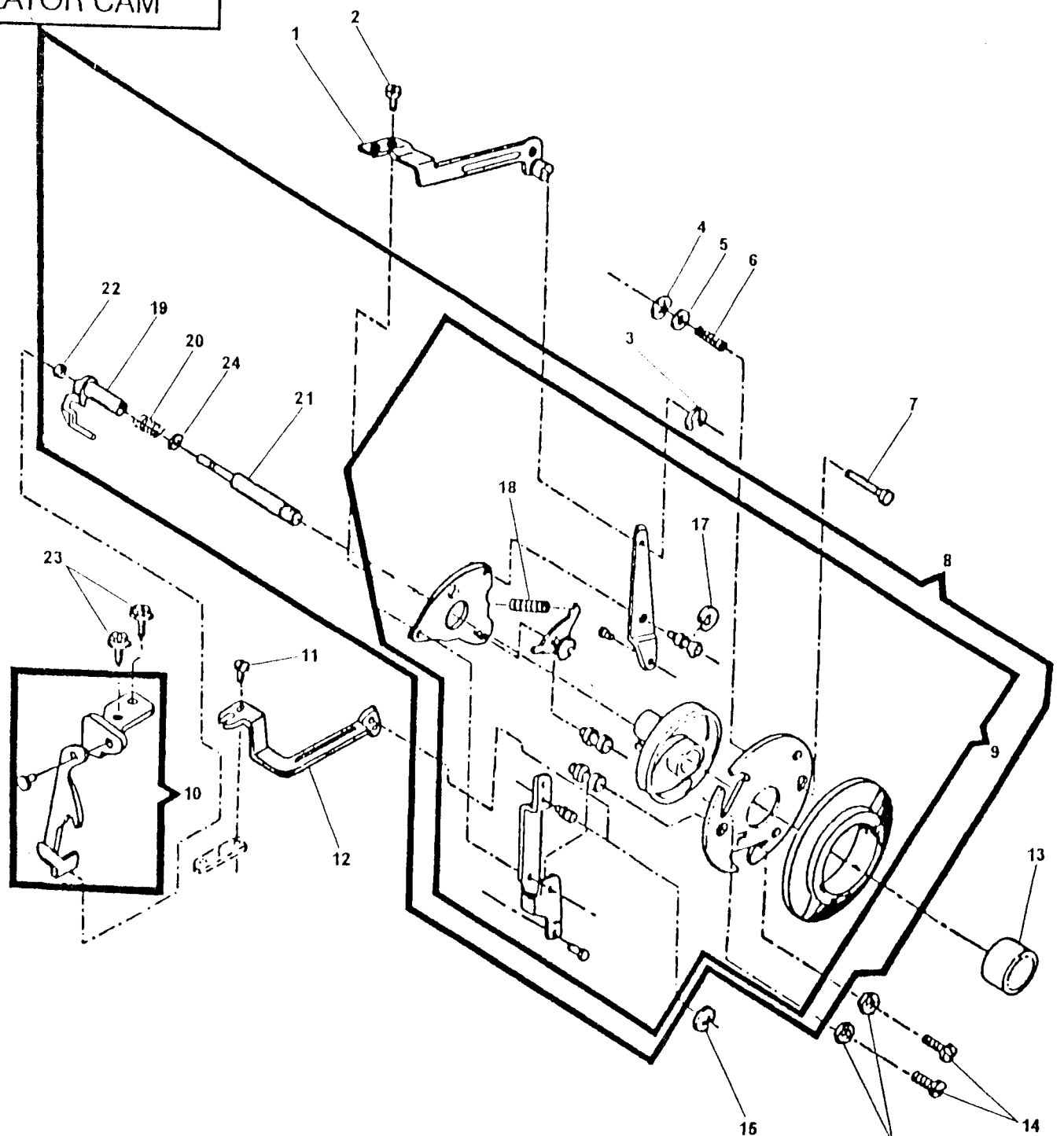
PART LIST
FEED REGULATOR CAM

2 2 2 2 2 2 2 2 2 2 D 3 3 3 3
5 5 5 5 5 5 5 5 4 X 3 3 3 2
0 0 0 0 1 3 1 4 4 1 1 1 4 7
2 3 4 5 5 0 7 3 0 4 4 7 3 0

REF. PART NBR DESCRIPTION

REF.	PART NBR	DESCRIPTION	2	2	2	2	2	2	2	2	D	3	3	3	3	
01	113455-001	FEED REGULATOR CONTROL ARM MOUNTING BRACKET SCREW	X	X	-	-	-	-	-	-	-	X	X	-	-	-
02	353304	FEED REGULATOR CONTROL ARM ASSEMBLY	X	X	-	-	-	-	-	-	-	X	X	-	-	-
03	356397	FEED REGULATOR CAM FOLLOWER	X	X	-	-	-	-	-	-	-	X	X	-	-	-
04	354975-451	FEED REGULATOR CAM FOLLOWER POSITIONING SCREW	X	X	-	-	-	-	-	-	-	X	X	-	-	-
05	44892	FEED REGULATOR CAM FOLLOWER POSITIONING SPRING	X	X	-	-	-	-	-	-	-	X	X	-	-	-
06	618638-005	FEED REGULATOR CAM FOLLOWER POSITIONING SPRING NUT	X	X	-	-	-	-	-	-	-	X	X	-	-	-
07	531806-451	FEED REGULATOR MOUNTING PLATE SCREW (RIGHT)	X	X	-	-	-	-	-	-	-	X	X	-	-	-
08	356998-451	FEED REGULATOR CONTROL DIAL ASSEMBLY	X	X	-	-	-	-	-	-	-	X	X	-	-	-
09	445461	FEED REGULATOR CONTROL DIAL RETAINING RING	X	X	-	-	-	-	-	-	-	X	X	-	-	-
10	356997-451	FEED REGULATOR CONTROL DIAL	X	X	-	-	-	-	-	-	-	X	X	-	-	-
11	356115-452	FEED REGULATOR POSITIONING PIN KNOB <i>Reverse Button</i>	X	X	-	-	-	-	-	-	-	X	X	-	-	-
12	531807-451	FEED REGULATOR MOUNTING PLATE SCREW (LEFT)	X	X	-	-	-	-	-	-	-	X	X	-	-	-
13	353478	FEED REGULATOR CAM COMPLETE	X	X	-	-	-	-	-	-	-	X	X	-	-	-
14	446284	FEED REGULATOR MOUNTING PLATE	X	X	-	-	-	-	-	-	-	X	X	-	-	-
15	446282	FEED REGULATOR FRICTION WASHER	X	X	-	-	-	-	-	-	-	X	X	-	-	-
16	353477	FEED REGULATOR CAM (PLASTIC)	X	X	-	-	-	-	-	-	-	X	X	-	-	-
17	446283	FEED REGULATOR MECHANISM MOUNTING PLATE	X	X	-	-	-	-	-	-	-	X	X	-	-	-

BUTTONHOLER & FEED REGULATOR CAM



REV: _____
DATE: DEC/98

PART LIST
BUTTONHOLER & FEED REGULATOR CAM

2 2 2 2 2 2 2 2 2 2 D 3 3 3 3
5 5 5 5 5 5 5 5 4 X 3 3 3 2
0 0 0 0 1 3 1 4 4 1 1 1 4 7
2 3 4 5 5 0 7 3 0 4 4 7 3 0

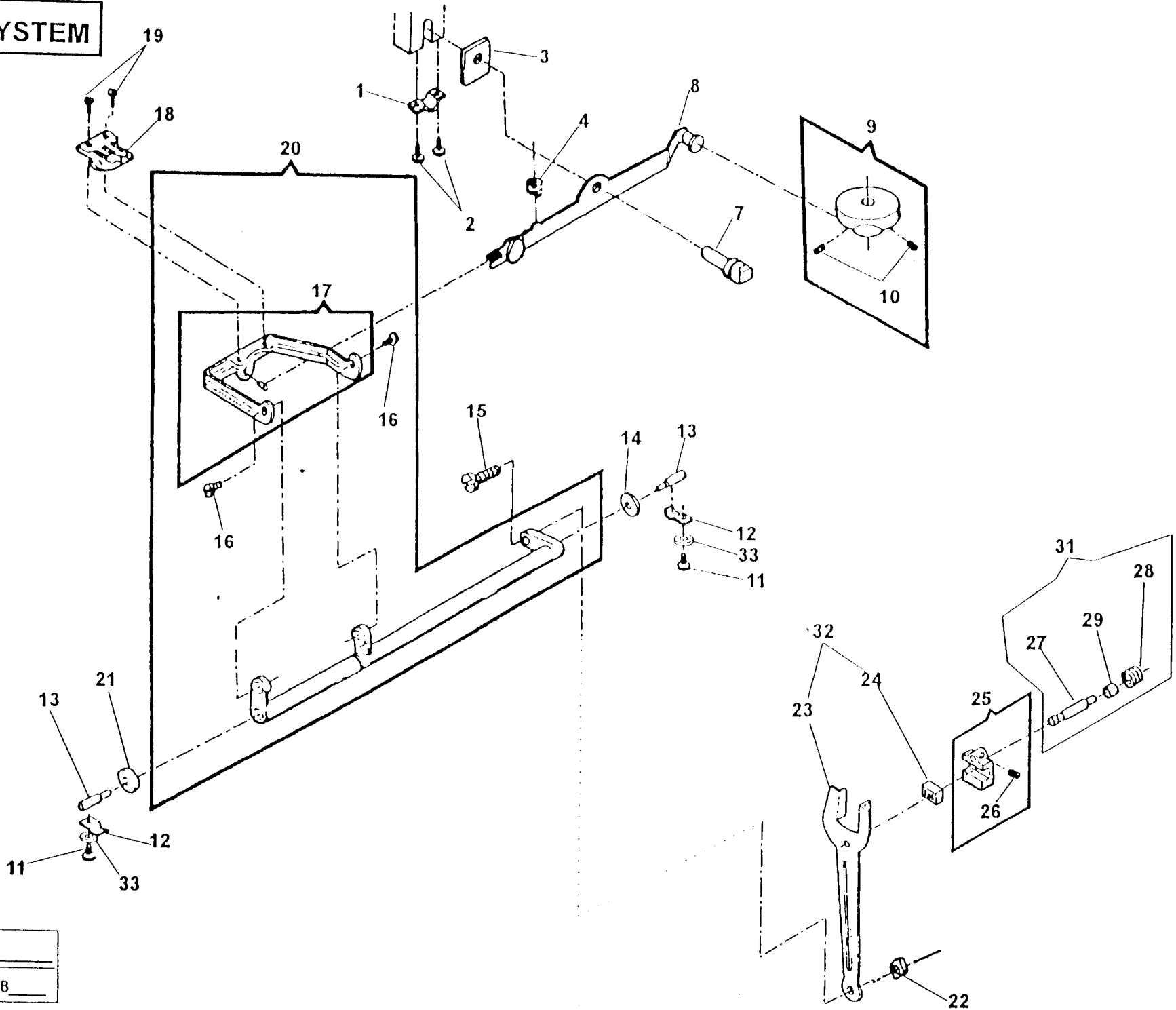
EF. PART NBR DESCRIPTION

353536	BUTTONHOLER NEEDLE POSITION CAM FOLLOWER LEVER LINK (RIGHT)	-	-	X	X	X	X	X	X	X	-	-	X	X	X
141913-451	BUTTONHOLER NEEDLE POSITION CAM FOLLOWER LEVER LINK (LEFT & RIGHT) SCREW	-	-	X	X	X	X	X	X	X	-	-	X	X	X
445486	BUTTONHOLER NEEDLE POSITION CAM FOLLOWER LEVER LINK (RIGHT) RETAINING RING	-	-	X	X	X	X	X	X	X	-	-	X	X	X
408030	BUTTONHOLER & FEED REGULATOR MECHANISM MOUNTING PLATE STUD RETAINING RING	-	-	X	X	X	X	X	X	X	-	-	X	X	X
445808	BUTTONHOLER & FEED REGULATOR MECHANISM MOUNTING PLATE STUD SPRING WASHER	-	-	X	X	X	X	X	X	X	-	-	X	X	X
179949	BUTTONHOLER & FEED REGULATOR MECHANISM MOUNTING PLATE STUD SPRING	-	-	X	X	X	X	X	X	X	-	-	X	X	X
356230	BUTTONHOLER & FEED REGULATOR MECHANISM MOUNTING PLATE STUD	-	-	X	X	X	X	X	X	X	-	-	X	X	X
357012-452	BUTTONHOLER & FEED REGULATOR CAM COMPLETE	-	-	X	X	X	X	X	X	X	-	-	X	X	X
357013-452	BUTTONHOLER & FEED REGULATOR CAM ASSEMBLY	-	-	X	X	X	X	X	X	X	-	-	X	X	X
353304	FEED REGULATOR CONTROL ARM ASSEMBLY	-	-	X	X	X	X	X	X	X	-	-	X	X	X
141913-451	BUTTONHOLER BIGHT CONTROL ARM FOLLOWER LEVER LINK (LEFT & RIGHT) SCREW	-	-	X	X	X	X	X	X	X	-	-	X	X	X
353551	BUTTONHOLER BIGHT CONTROL ARM FOLLOWER LEVER LINK (RIGHT)	-	-	X	X	X	X	X	X	X	-	-	X	X	X
356653-456	FEED REGULATOR POSITIONING PIN KNOB	-	-	X	X	X	X	X	X	X	-	-	X	X	X
113513-451	BUTTONHOLER & FEED REGULATOR MECHANISM MOUNTING PLATE SCREW	-	-	X	X	X	X	X	X	X	-	-	X	X	X
445486	BUTTONHOLER BIGHT CONTROL CAM FOLLOWER LEVER LINK (RIGHT) RETAINING RING	-	-	X	X	X	X	X	X	X	-	-	X	X	X
53640-819	BUTTONHOLER & FEED REGULATOR MECHANISM MOUNTING PLATE SCREW NUT	-	-	X	X	X	X	X	X	X	-	-	X	X	X
353215	BUTTONHOLER NEEDLE POSITION CAM FOLLOWER LEVER RETAINING RING	-	-	X	X	X	X	X	X	X	-	-	X	X	X
353495	BUTTONHOLER & FEED REGULATOR CONTROL DIAL PAWL SPRING	-	-	X	X	X	X	X	X	X	-	-	X	X	X
357094	FEED REGULATOR POSITIONING PIN CARRIER	-	-	X	X	X	X	X	X	X	-	-	X	X	X
44892	FEED REGULATOR POSITIONING PIN FRICTION SPRING	-	-	X	X	X	X	X	X	X	-	-	X	X	X
356650	FEED REGULATOR POSITIONING PIN	-	-	X	X	X	X	X	X	X	-	-	X	X	X
618638-005	FEED REGULATOR POSITIONING PIN CARRIER INSERT NUT	-	-	X	X	X	X	X	X	X	-	-	X	X	X
113455-001	FEED REGULATOR CONTROL ARM MOUNTING BRACKET SCREW	-	-	X	X	X	X	X	X	X	-	-	X	X	X
356830-001	FEED REGULATOR POSITIONING PIN WASHER	-	-	X	X	X	X	X	X	X	-	-	X	X	X

2500 series.
P/N 357672-

Adopt.

FEED SYSTEM



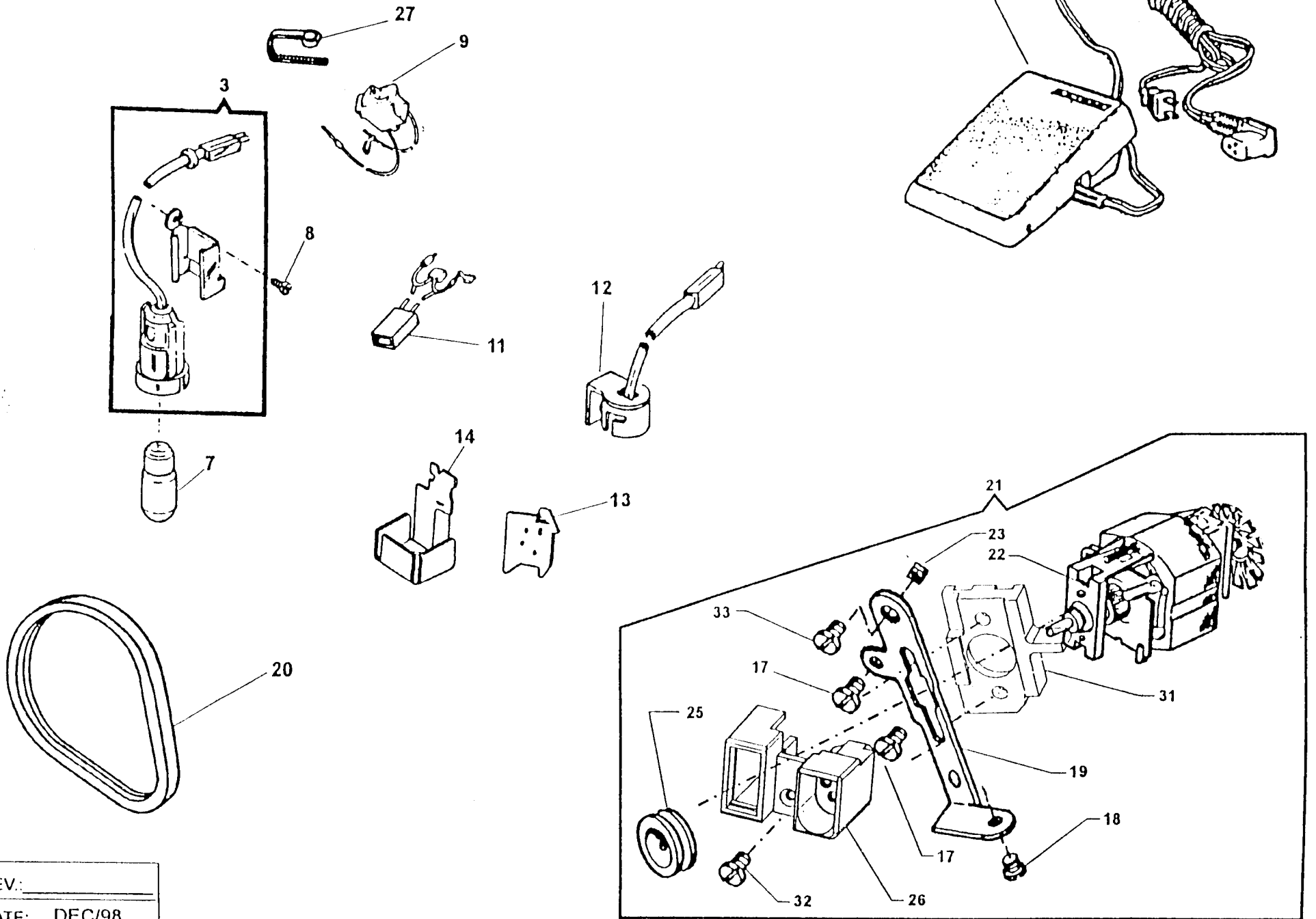
REV.: _____
DATA: __DEC/98__

2 2 2 2 2 2 2 2 2 D 3 3 3 3
5 5 5 5 5 5 5 5 4 X 3 3 3 2
0 0 0 0 1 3 1 4 4 1 1 1 4 7
2 3 4 5 5 0 7 3 0 4 4 7 3 0

REF. PART NBR DESCRIPTION

1	446485	FEED LIFTING LEVER HINGE STUD (ECCENTRIC) CLAMP	X	X	X	X	X	X	X	X	X	X	X	X
2	113455-001	FEED LIFTING LEVER HINGE STUD (ECCENTRIC) CLAMP	X	X	X	X	X	X	X	X	X	X	X	X
3	179955	FEED LIFTING LEVER HINGE STUD (ECCENTRIC) SPACER	X	X	X	X	X	X	X	X	X	X	X	X
4	446249	FEED LIFTING LEVER SPRING	X	X	X	X	X	X	X	X	X	X	X	X
7	357122	FEED LIFTING LEVER HINGE STUD (ECCENTRIC)*	X	X	X	X	X	X	X	X	X	X	X	X
8	356222-001	FEED LIFTING LEVER ASSEMBLY	X	X	X	X	X	X	X	X	X	X	X	X
9	446228	FEED LIFTING CAM	X	X	X	X	X	X	X	X	X	X	X	X
10	544118	FEED LIFTING CAM SCREW	X	X	X	X	X	X	X	X	X	X	X	X
11	113455-001	FEED ROCK SHAFT CENTER SUPPORTING BRACKET SCREW	X	X	X	X	X	X	X	X	X	X	X	X
12	446484	FEED ROCK SHAFT CENTER CLAMP (LEFT & RIGHT)	X	X	X	X	X	X	X	X	X	X	X	X
13	446487-001	FEED ROCK SHAFT CENTER	X	X	X	X	X	X	X	X	X	X	X	X
14	353397	FEED ROCK SHAFT CENTER (RIGHT) NOISE DAMPENING WASHER	X	X	X	X	X	X	X	X	X	X	X	X
15	53648-451	FEED FORKED CONNECTING SCREW STUD NUT	X	X	X	X	X	X	X	X	X	X	X	X
16	354939-451	FEED BAR HINGE SCREW	X	X	X	X	X	X	X	X	X	X	X	X
17	446205	FEED BAR ASSEMBLY	X	X	X	X	X	X	X	X	X	X	X	X
18	179891	FEED DOG	X	X	X	X	X	X	X	X	X	X	X	X
19	355235-451	FEED DOG SCREW	X	X	X	X	X	X	X	X	X	X	X	X
20	446216	FEED ROCK SHAFT COMPLETE	X	X	X	X	X	X	X	X	X	X	X	X
21	353397	FEED ROCK SHAFT CENTER (LEFT) NOISE DAMPENING WASHER	X	X	X	X	X	X	X	X	X	X	X	X
22	531623-451	FEED FORKED CONNECTING HINGE SCREW (ECCENTRIC)	X	X	X	X	X	X	X	X	X	X	X	X
23	531926	FEED FORKED CONNECTING	X	X	X	X	X	X	X	X	X	X	X	X
24	44437	FEED FORKED CONNECTING SLIDE BLOCK	X	X	X	X	X	X	X	X	X	X	X	X
25	446244	FEED REGULATOR ASSEMBLY	X	X	X	X	X	X	X	X	X	X	X	X
26	141925-833	FEED REGULATOR SET SCREW	X	X	X	X	X	X	X	X	X	X	X	X
27	446483	FEED REGULATOR HINGE STUD	X	X	X	X	X	X	X	X	X	X	X	X
28	179890	FEED REGULATOR RETURN SPRING	X	X	X	X	X	X	X	X	X	X	X	X
29	445768	FEED REGULATOR RETURN SPRING BUSHING (PLASTIC)	X	X	X	X	X	X	X	X	X	X	X	X
30	353600	FEED REGULATOR HINGE STUD ASSEMBLY	X	X	X	X	X	X	X	X	X	X	X	X
31	531927	FEED FORKED CONNECTION ASSEMBLY WITH BLACK	X	X	X	X	X	X	X	X	X	X	X	X

ELECTRICAL EQUIPMENT



REV: _____
DATE: DEC/98

PART LIST
ELECTRICAL EQUIPMENT

2 2 2 2 2 2 2 2 2 2 D 3 3 3 3
5 5 5 5 5 5 5 5 4 X 3 3 3 2
0 0 0 0 1 3 1 4 4 1 1 1 4 7
2 3 4 5 5 0 7 3 0 4 4 7 3 0

REF. PART NBR DESCRIPTION

REF. PART NBR	DESCRIPTION	2	2	2	2	2	2	2	2	2	D	3	3	3	3
03	605488-025														
04	179908														
07	988076-001														
07	988076-003														
08	354592-451														
09	362250-904														
09	362307-001														
09	362307-003														
09	988763-004														
10	362095-001														
10	362095-002														
10	362095-005														
10	362095-006														
10	362095-007														
10	362095-008														
10	362095-010														
10	362095-014														
10	362095-015														
10	362095-016														
10	362095-022														
10	362095-023														
11	988764-003														
11	988764-005														
11	988768-003														
12	362001-007														
12	362160-002														
13	179901														
13	179910-451														
14	605087-001														
17	362264-901														
18	113370-451														
20	196388-003														

PART LIST
ELECTRICAL EQUIPMENT (CONT.)

2 2 2 2 2 2 2 2 2 2 D 3 3 3 3
5 5 5 5 5 5 5 5 4 X 3 3 3 2
0 0 0 0 1 3 1 4 4 1 1 1 4 7
2 3 4 5 5 0 7 3 0 4 4 7 3 0

REF. PART NBR DESCRIPTION

REF. PART NBR	DESCRIPTION	2	2	2	2	2	2	2	2	2	D	3	3	3	3
21	362180-001	GAC15 - MOTOR COMPLETE (UL/CSA)	X	X	X	X	X	X	X	X	X	X	X	X	X
21	362180-008	GAC15 - MOTOR COMPLETE (120V - NON REG.)	X	X	X	X	X	X	X	X	X	X	X	X	X
21	362180-009	GAC15 - MOTOR COMPLETE (220V - NON REG.)	X	X	X	X	X	X	X	X	X	X	X	X	X
21	362180-010	GAC15 - MOTOR COMPLETE (220/240V - RUSSIA)	X	X	X	X	X	X	X	X	X	X	X	X	X
21	362180-011	GAC15 - MOTOR COMPLETE (220/240V - IEC/EUROPE)	X	X	X	X	X	X	X	X	X	X	X	X	X
21	362180-018	GAC15 - MOTOR COMPLETE (220/240V - NON REG.)	X	X	X	X	X	X	X	X	X	X	X	X	X
22	362207-005	SERIES MOTOR MODULE (120V - NON REG.)	X	X	X	X	X	X	X	X	X	X	X	X	X
22	362207-006	SERIES MOTOR MODULE (220V - NON REG.)	X	X	X	X	X	X	X	X	X	X	X	X	X
22	988752-010	SERIES MOTOR MODULE (120V - UL/CSA)	X	X	X	X	X	X	X	X	X	X	X	X	X
22	988752-011	SERIES MOTOR MODULE (220/240V - IEC/SAA)	X	X	X	X	X	X	X	X	X	X	X	X	X
21	988752-013	SERIES MOTOR MODULE (220/240V - NON REG.)	X	X	X	X	X	X	X	X	X	X	X	X	X
23	313470-452	MOTOR MOUNTING PLATE SCREW NUT	X	X	X	X	X	X	X	X	X	X	X	X	X
25	988176-001	MOTOR PULLEY	X	X	X	X	X	X	X	X	X	X	X	X	X
26	362239-001	COMMUTATOR END (120V - UL/CSA)	X	X	X	X	X	X	X	X	X	X	X	X	X
26	362239-008	COMMUTATOR END (120V - NON REG.)	X	X	X	X	X	X	X	X	X	X	X	X	X
26	362239-009	COMMUTATOR END (220V - NON REG.)	X	X	X	X	X	X	X	X	X	X	X	X	X
26	362239-010	COMMUTATOR END (220/240V - RUSSIA)	X	X	X	X	X	X	X	X	X	X	X	X	X
26	362239-011	COMMUTATOR END (220/240V - IEC/SAA)	X	X	X	X	X	X	X	X	X	X	X	X	X
27	605600-004	TYE RAP	X	X	X	X	X	X	X	X	X	X	X	X	X
31	362237-901	MOTOR MOUNTING PLATE SPACER	X	X	X	X	X	X	X	X	X	X	X	X	X
32	362263-901	MOTOR MOUNTING PLATE SPACER SCREW	X	X	X	X	X	X	X	X	X	X	X	X	X
33	113372-451	MOTOR MOUNTING PLATE SCREW (UPPER)	X	X	X	X	X	X	X	X	X	X	X	X	X