

SINGER

2300/2500/2440/3314/3317/3343

LIST OF PARTS

SEWING MACHINE SERIES

2300

Same as:
2440

&

2500

→ Same as:
3314
3317
3343

by SINGER*

© THE SINGER COMPANY
1991 SINGER DO BRASIL
ALL RIGHTS RESERVED

* REGISTERED TRADEMARK

PRINTED IN BRAZIL

356887-001

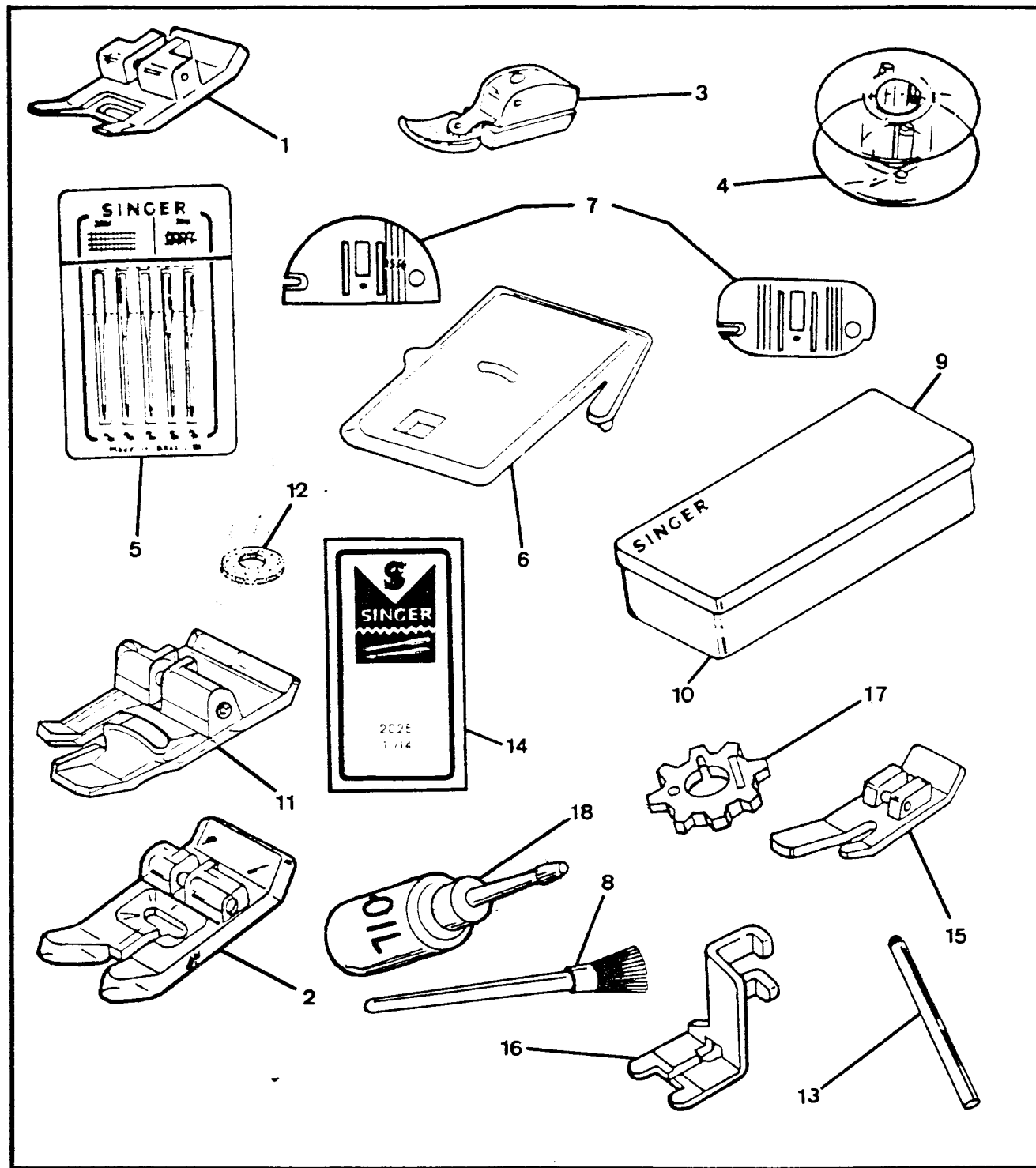
2300 & 2500 SERIES
REVISION RECORD

REV.	DESCRIPTION	APPROVAL AND DATE
1	NUMEROUS CHANGES	11/17/92
2	COLLOR CHANGING FROM LIGHT BUFF TO SNOW WHITE EFFECTIVE DATE: FEB. 1993	

INDEX

PAGE NBR	SUB-ASSEMBLY
01 - 04	ATTACHMENT SET
05 - 08	ARM, BED, THROAT PLATE & BED SLIDE
09 - 10	ARM TOP COVER
11 - 14	COVERS & ADD-ONS
15 - 16	NEEDLE BAR
17 - 18	PRESSER BAR
19 - 22	ARM SHAFT DRIVE
23 - 24	HAND WHEEL
25 - 26	TENSION
27 - 28	ROTATING HOOK
29 - 30	BIGHT AMPLITUDE
31 - 32	NEEDLE POSITION
33 - 34	CAM STACK
35 - 36	FEED REGULATOR CAM
37 - 38	BUTTONHOLER & FEED REGULATOR CAM
39 - 42	FEED SYSTEM
43 - 47	ELECTRICAL EQUIPMENT

ATTACHMENT SET



PART LIST
ATTACHMENT SET

REF.	PART NBR	DESCRIPTION	2	2	2	2	2	2	2	2	2	2
			3	5	3	5	3	5	3	5	3	5
			0	0	0	0	0	0	1	1	3	3
			2	2	3	3	4	4	5	5	0	0
01	446492-451	SPECIAL PURPOSE PRESSER FOOT PLATE	0	0	0	0	0	0	X	X	X	X
02	161927	BUTTONHOLER PRESSER FOOT	0	0	0	0	X	X	X	X	X	X
03	507836	ZIPPER & CORDING PRESSER FOOT	0	0	0	0	0	0	X	X	X	X
04	172336	BOBBIN (PLASTIC)	X	X	X	X	X	X	X	X	X	X
05	353364	NEEDLE PACK	X	X	X	X	X	X	X	X	X	X
06	313117	FEED COVER PLATE (PLASTIC)		X		X		X		X		X
06	381495	FEED COVER PLATE (PLASTIC)	X		X		X		X		X	
07	313066	THROAT PLATE STRAIGHT STITCH		0		0		0		0		X
07	531664	THROAT PLATE STRAIGHT STITCH	0		0		0		0		X	
08	501750	LINT BRUSH	0	0	0	0	0	0	0	0	0	0
09	446149-458	ATTACHMENT BOX COVER (PLASTIC)	X	X	X	X	X	X	X	X		
09	381287-454	ATTACHMENT BOX COVER (PLASTIC)									X	X
10	446148-456	ATTACHMENT BOX BASE (PLASTIC)	X	X	X	X	X	X	X	X		
10	381286-454	ATTACHMENT BOX BASE (PLASTIC)									X	X
11	356630	BLIND STITCH PRESSER FOOT			X	X	X	X	X	X	X	X
12	8879-455	ARM SPOOL PIN WASHER (FELT)	X	X	X	X	X	X	X	X	X	X
12	8879-455	ARM SPOOL PIN WASHER (FELT) FOR TWIN NEEDLE	0	0	0	0	0	0	X	X	X	X
13	356942	ARM TOP COVER SPOOL PIN (PLASTIC)	X	X	X	X	X	X	X	X	X	X
13	356942	ARM TOP COVER SPOOL PIN (PLASTIC) FOR TWIN NEEDLE	0	0	0	0	0	0	0	0	0	0
14	531868	NEEDLE PACK WITH 1 NEEDLE 2025-14	0	0	0	0	0	0	X	X	X	X
15	153267	PRESSER FOOT PLATE FOR STRAIGHT STITCH	0	0	0	0	0	0	0	0	X	X
16	179911	PRESSER FOOT FOR SEWING ON BUTTON	0	0	0	0	0	0	X	X	X	X

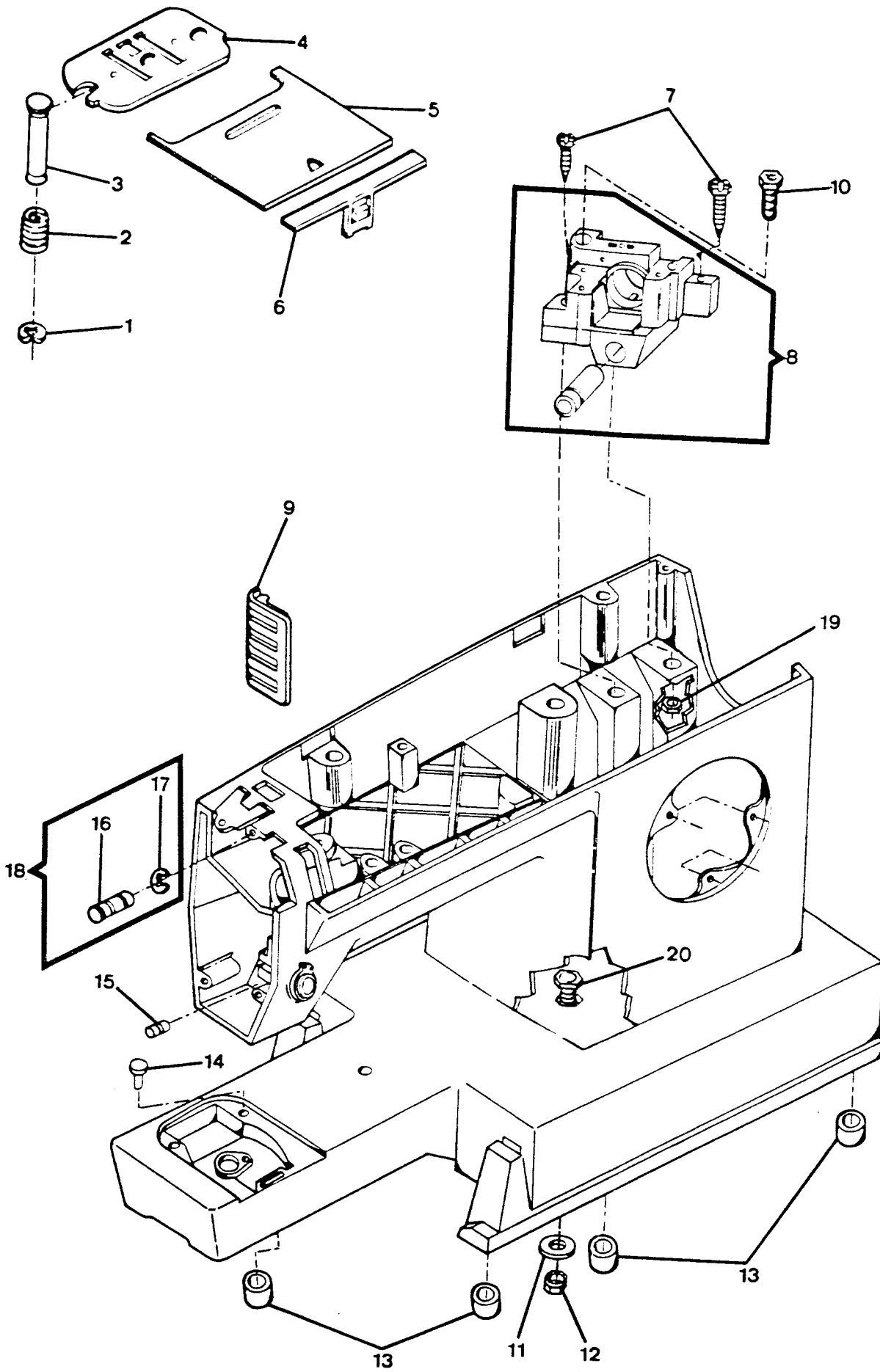
O = OPTIONAL PARTS

PART LIST
ATTACHMENT SET (CONT.)

REF.	PART NBR	DESCRIPTION	2	2	2	2	2	2	2	2	2	2	
			3	5	3	5	3	5	3	5	3	5	
			0	0	0	0	0	0	1	1	3	3	
			2	2	3	3	4	4	5	5	0	0	
17	276302	DISC NBR 2 (MULTI ZIG-ZAG STITCH)								X	X	X	X
17	276304	DISC NBR 4 (SCALLOP STITCH)										X	X
17	276305	DISC NBR 5 (ARROWHEAD STITCH)								X	X	X	X
17	276306	DISC NBR 6 (DOMINO STITCH)								X	X	X	X
17	276307	DISC NBR 7 (SHELL STITCH)								X	X	X	X
17	276309	DISC NBR 9 (ICICLE STITCH)										X	X
17	276310	DISC NBR 10 (BANNER STITCH)								X	X	X	X
17	276311	DISC NBR 11 (KEY STITCH)										X	X
17	276312	DISC NBR 12 (WALLS OF TROY STITCH)								X	X	X	X
17	276313	DISC NBR 13 (DIAMOND STITCH)								X	X	X	X
17	276314	DISC NBR 14 (ZIG-ZAG POINTS STITCH)										X	X
17	276315	DISC NBR 15 (LONG OBLIQUE STITCH)										X	X
17	276316	DISC NBR 16 (SHINGLE STITCH)										X	X
17	276317	DISC NBR 17 (PENNYANT STITCH)										X	X
17	276318	DISC NBR 18 (THREE STEP STITCH)										X	X
17	276319	DISC NBR 19 (BALL STITCH)										X	X
17	276320	DISC NBR 20 (CURVE MENDING STITCH)										X	X
17	276322	DISC NBR 22 (SEMAPHORE STITCH)										X	X
17	276323	DISC NBR 23 (SOLID PYRAMID STITCH)										X	X
17	276325	DISC NBR 25 (SPINY STITCH)										X	X
17	276326	DISC NBR 26 (BLOCK STITCH)								X	X	X	X
17	276327	DISC NBR 27 (FAGOTING STITCH)										X	X
17	276328	DISC NBR 28 (COMB STITCH)								X	X	X	X
17	276329	DISC NBR 29 (PAVILLON STITCH)										X	X
17	276330	DISC NBR 30 (PLATFORM STITCH)										X	X
17	276337	DISC NBR 37 (ALPINE STITCH)										X	X
17	171340	DISC NBR 3/350 (BLIND STITCH)								X	X	X	X
17	171342	DISC NBR 8/352 (SOLID SCALLOP STITCH)				X	X	X	X	X	X	X	X
17	171341	DISC NBR 31/351 (CRESCENT STITCH)								X	X	X	X
18	357004-001	OIL CONTAINER	0	0	0	0	0	0	0	0	0	X	X

O = OPTIONAL PARTS

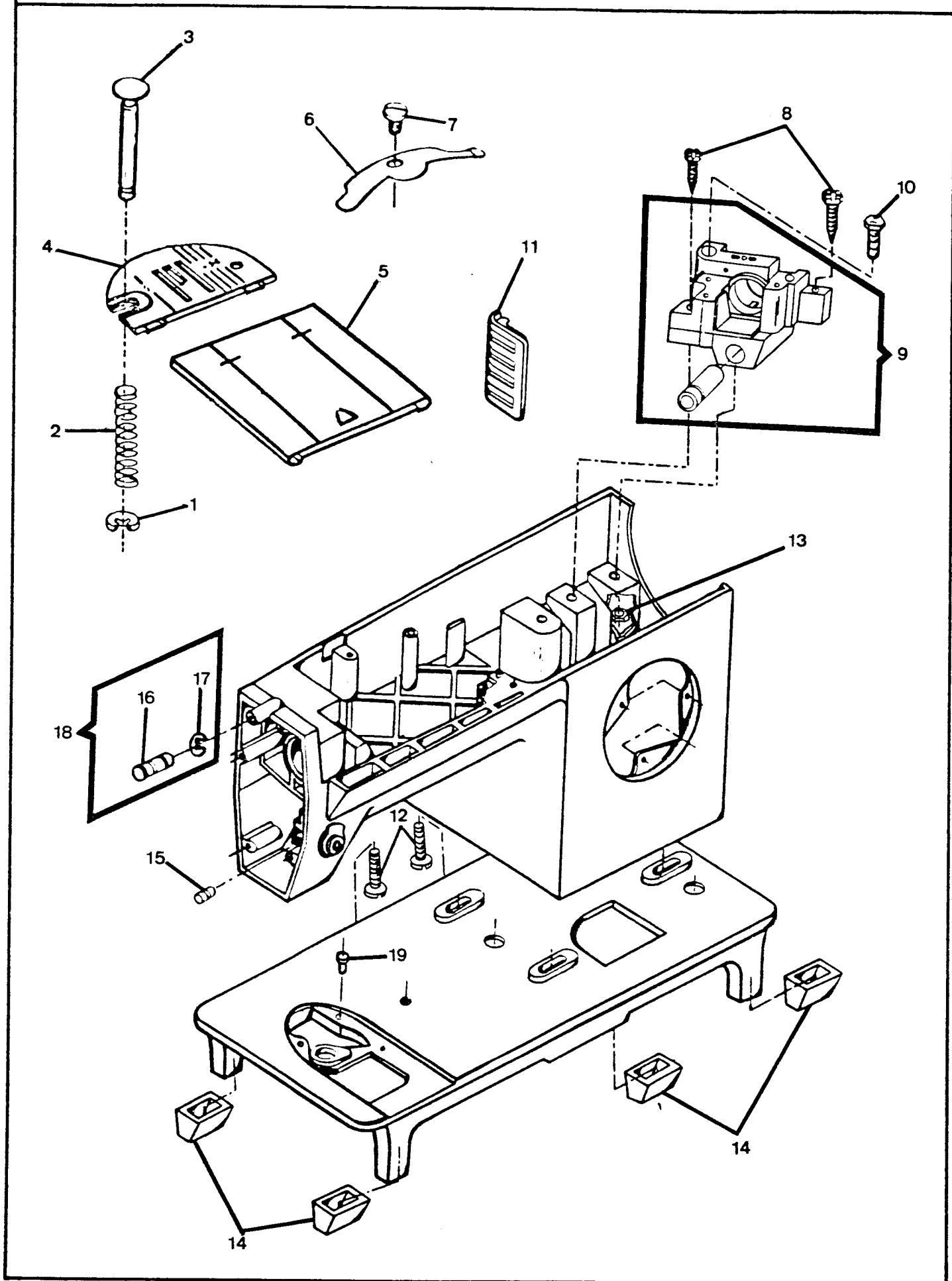
ARM, BED, THROAT PLATE & BED SLIDE



PART LIST
ARM, BED, THROAT PLATE & BED SLIDE

REF.	PART NBR	DESCRIPTION	2	2	2	2	2	2	2	2	2
			3	5	3	5	3	5	3	5	3
			0	0	0	0	0	0	1	1	3
			2	2	3	3	4	4	5	5	0
01	179926	THROAT PLATE CLAMP SPRING RETAINING RING	X	X			X		X		X
02	353494	THROAT PLATE CLAMP SPRING	X	X			X		X		X
03	353597	THROAT PLATE CLAMP	X	X			X		X		X
04	312777	THROAT PLATE FOR ZIG-ZAG SEWING	X	X			X		X		X
05	446481	BED SLIDE	X	X			X		X		X
06	446482	BED SLIDE SPRING (SNAP-ON)	X	X			X		X		X
07	113455-006	ARM SHAFT (REAR) HOUSING MOUNTING SCREW	X	X			X		X		X
08	446347-002	ARM SHAFT (REAR) HOUSING ASSEMBLY	X	X			X		X		X
09	353360-45X	ARM INSERT MOTOR VENT GRILL	X	X			X		X		X
10	446349-451	ARM SHAFT (REAR) HOUSING MOUNTING BOLT	X	X			X		X		X
11	353375-451	ARM BED BOLT LOCK WASHER	X	X			X		X		X
12	514608	ARM BED MOUNTING BOLT	X	X			X		X		X
13	353559-451	BED CUSHION	X	X			X		X		X
14	353624	THROAT PLATE POSITION PIN	X	X			X		X		X
15	446358	TENSION RELEASING LEVER HINGE PIN	X	X			X		X		X
16	446375	THREAD TAKE-UP LEVER LINK HINGE STUD	X	X			X		X		X
17	353215	THREAD TAKE-UP LEVER LINK HINGE STUD RETAINING RING	X	X			X		X		X
18	353623	THREAD TAKE-UP LEVER LINK HINGE STUD WITH RING	X	X			X		X		X
19	514608	ARM SHAFT (REAR) HOUSING MOUNTING BOLT NUT	X	X			X		X		X
20	446346-451	BED (BOTTOM) COVER & CABINET BOLT	X	X			X		X		X

ARM, BED, THROAT PLATE & BED SLIDE

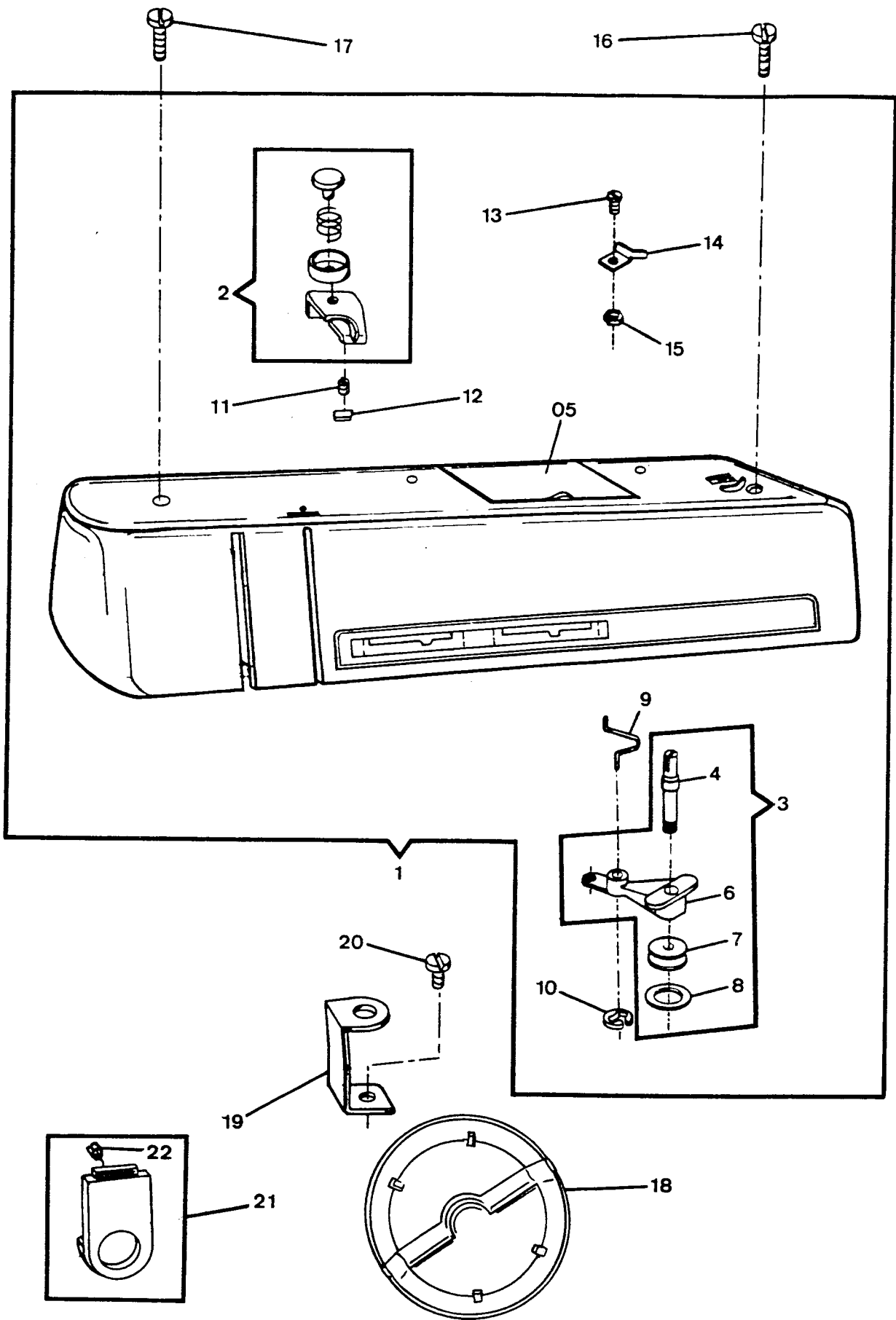


PART LIST
ARM, BED, THROAT PLATE & BED SLIDE

REF.	PART NBR	DESCRIPTION	2	2	2	2	2	2	2	2	2
			3	5	3	5	3	5	3	5	3
			0	0	0	0	0	0	1	1	3
			2	2	3	3	4	4	5	5	0
01	445721	THROAT PLATE CLAMP SPRING RETAINING RING	X		X		X		X		X
02	444889	THROAT PLATE CLAMP SPRING	X		X		X		X		X
03	444888	THROAT PLATE CLAMP	X		X		X		X		X
04	531663	THROAT PLATE	X		X		X		X		X
05	446151	BED SLIDE	X		X		X		X		X
06	37239	BED SLIDE SPRING	X		X		X		X		X
07	354552-451	BED SLIDE SPRING SCREW	X		X		X		X		X
08	113455-006	ARM SHAFT (REAR) HOUSING MOUNTING SCREW	X		X		X		X		X
09	446347-001	ARM SHAFT (REAR) HOUSING ASSEMBLY	X		X		X		X		X
10	446349-451	ARM SHAFT (REAR) HOUSING MOUNTING BOLT	X		X		X		X		X
11	353360-45X	ARM INSERT (MOTOR VENT GRILL)	X		X		X		X		X
12	354833-451	BED CONNECTION HINGE SCREW	X		X		X		X		X
13	514608	ARM SHAFT (REAR) HOUSING MOUNTING BOLT NUT	X		X		X		X		X
14	446154-451	UNDER BED COVER CUSHION	O		O		O		O		O
15	446358	TENSION RELEASING LEVER HINGE PIN	X		X		X		X		X
16	446375	THREAD TAKE-UP LEVER LINK HINGE STUD	X		X		X		X		X
17	353215	THREAD TAKE-UP LEVER LINK HINGE STUD RETAINING RING	X		X		X		X		X
18	353623	THREAD TAKE-UP LEVER LINK HINGE STUD WITH RING	X		X		X		X		X
19	179943	THROAT PLATE POSITION PIN (PLASTIC)	X		X		X		X		X

O = OPTIONAL PARTS

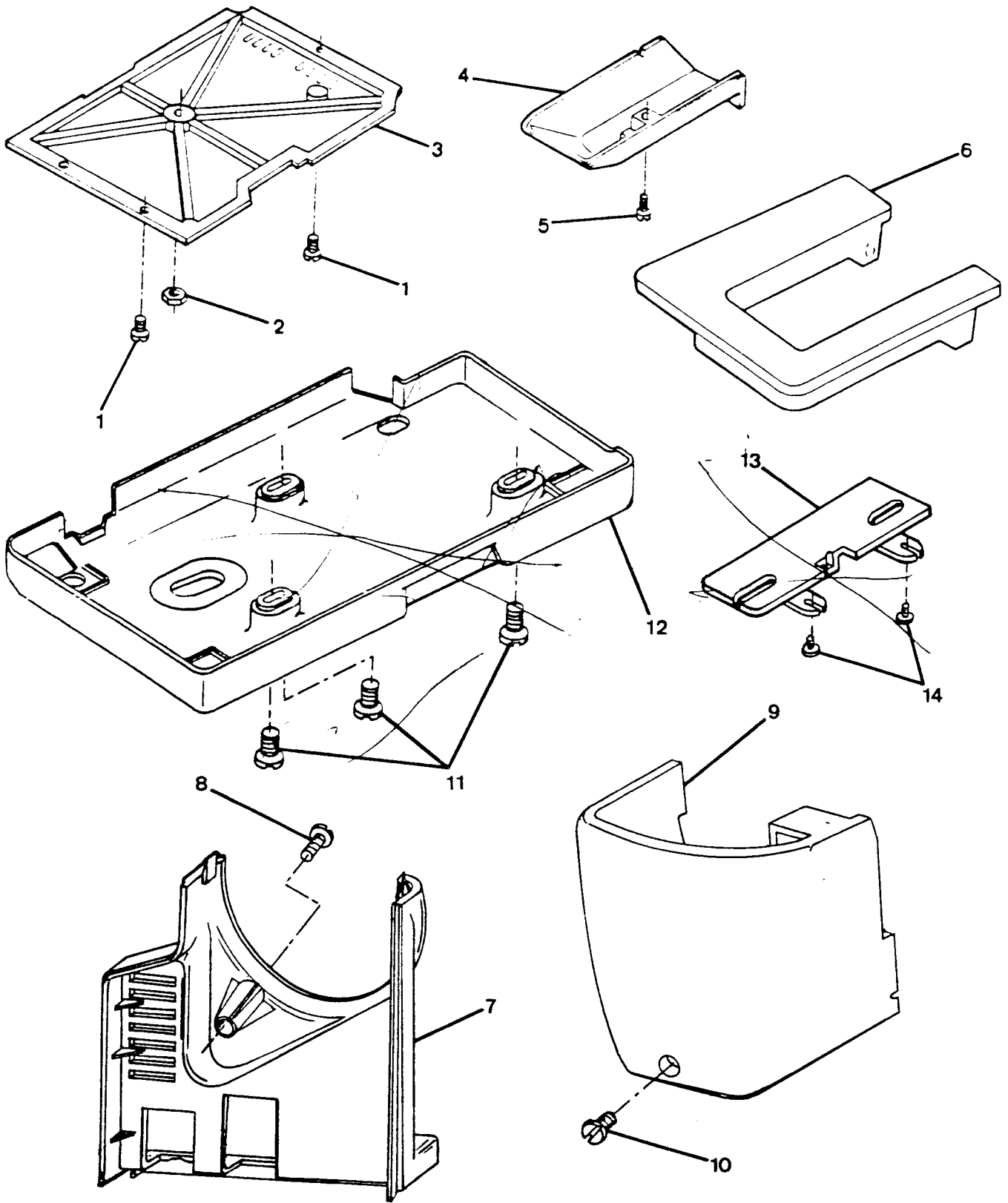
ARM TOP COVER



PART LIST
ARM TOP COVER

REF.	PART NBR	DESCRIPTION	2	2	2	2	2	2	2	2	2	2
			2	2	2	2	2	2	2	2	2	2
			3	5	3	5	3	5	3	5	3	5
			0	0	0	0	0	0	1	1	3	3
			2	2	3	3	4	4	5	5	0	0
01	356827-024	ARM TOP COVER COMPLETE										
01	356827-025	ARM TOP COVER COMPLETE	X	X								
01	356827-026	ARM TOP COVER COMPLETE			X	X	X	X				
01	356827-027	ARM TOP COVER COMPLETE							X	X		
02	356047	BOBBIN WINDER TENSION COMPLETE									X	X
03	531767-452	BOBBIN WINDER ASSEMBLY	X	X	X	X	X	X	X	X	X	X
04	356913	BOBBIN WINDER SPINDLE COMPLETE	X	X	X	X	X	X	X	X	X	X
05	356781-902	ARM TOP COVER LID	X	X	X	X	X	X	X	X	X	X
06	531770-452	BOBBIN WINDER FRAME	X	X	X	X	X	X	X	X	X	X
07	44440	BOBBIN WINDER PULLEY	X	X	X	X	X	X	X	X	X	X
08	15287-701	BOBBIN WINDER FRICTION RING	X	X	X	X	X	X	X	X	X	X
09	531766	BOBBIN WINDER HINGE STUD SPRING	X	X	X	X	X	X	X	X	X	X
10	445486	BOBBIN WINDER RETAINING RING	X	X	X	X	X	X	X	X	X	X
11	141936-833	BOBBIN WINDER TENSION BRACKET ADJUSTING SCREW	X	X	X	X	X	X	X	X	X	X
12	44794	BOBBIN WINDER TENSION BRACKET ADJUSTING SCREW	X	X	X	X	X	X	X	X	X	X
		RETAINING CLIP										
13	141920-453	BOBBIN WINDER STOP SCREW	X	X	X	X	X	X	X	X	X	X
14	445924	BOBBIN WINDER STOP	X	X	X	X	X	X	X	X	X	X
15	53640-819	BOBBIN WINDER STOP SCREW NUT	X	X	X	X	X	X	X	X	X	X
16	354895-453	ARM TOP COVER MOUNTING SCREW (RIGHT)	X	X	X	X	X	X	X	X	X	X
17	354895-453	ARM TOP COVER MOUNTING SCREW (LEFT)	X	X	X	X	X	X	X	X	X	X
18	356789-901	ARM TOP COVER RECEPTACLE BOTTOM COVER	X	X								
19	531765	ARM TOP COVER MOUNTING BRACKET (RIGHT)	X	X	X	X	X	X	X	X	X	X
20	113455-001	ARM TOP COVER MOUNTING BRACKET SCREW	X	X	X	X	X	X	X	X	X	X
21	356843-454	ARM TOP COVER SHROUDER	X	X	X	X	X	X	X	X	X	X
22	356127	ARM TOP COVER SHROUDED RETAINING RING	X	X	X	X	X	X	X	X	X	X

COVERS & ADD-ONS



PART LIST
COVERS & ADD-ONS

REF.	PART NBR	DESCRIPTION	2	2	2	2	2	2	2	2	2
			3	5	3	5	3	5	3	5	3
			0	0	0	0	0	0	1	1	3
			2	2	3	3	4	4	5	5	0
01	113455-001	BED (BOTTOM) COVER FASTENING SCREW		X		X		X		X	
02	514608	BED (BOTTOM) COVER FASTENING SCREW NUT		X		X		X		X	
03	353587-453	BED (BOTTOM) COVER (PLASTIC)		X		X		X		X	
04	446493-453	BED (TUBULAR) BOTTOM COVER (PLASTIC)		X		X		X		X	
05	354895-453	BED (TUBULAR) BOTTOM COVER FASTENING SCREW		X		X		X		X	
06	531882-452	BED EXTENSION		X		X		X		X	
07	356757-451	REFER TO CHARTS ON FOLLOWING PAGES	X	X	X	X	X	X	X	X	X
08	364063-451	ARM END COVER SCREW	X	X	X	X	X	X	X	X	X
09	356879-452	FACE PLATE COMPLETE (W/ GRILLE) FOR EUROPE	X	X	X	X	X	X	X	X	X
09	356806-452	FACE PLATE COMPLETE (W/O GRILLE)	X	X	X	X	X	X	X	X	X
10	354133-453	FACE PLATE SCREW	X	X	X	X	X	X	X	X	X
11	354833-451	UNDER BED COVER SCREW	X		X		X		X		X
12	531671-453	UNDER BED COVER (PLASTIC)	X		X		X		X		X
13	446263-455	BED EXTENSION PLATE	X		X		X		X		X
14	354966-451	BED EXTENSION PLATE SCREW	X		X		X		X		X

ARM END COVER

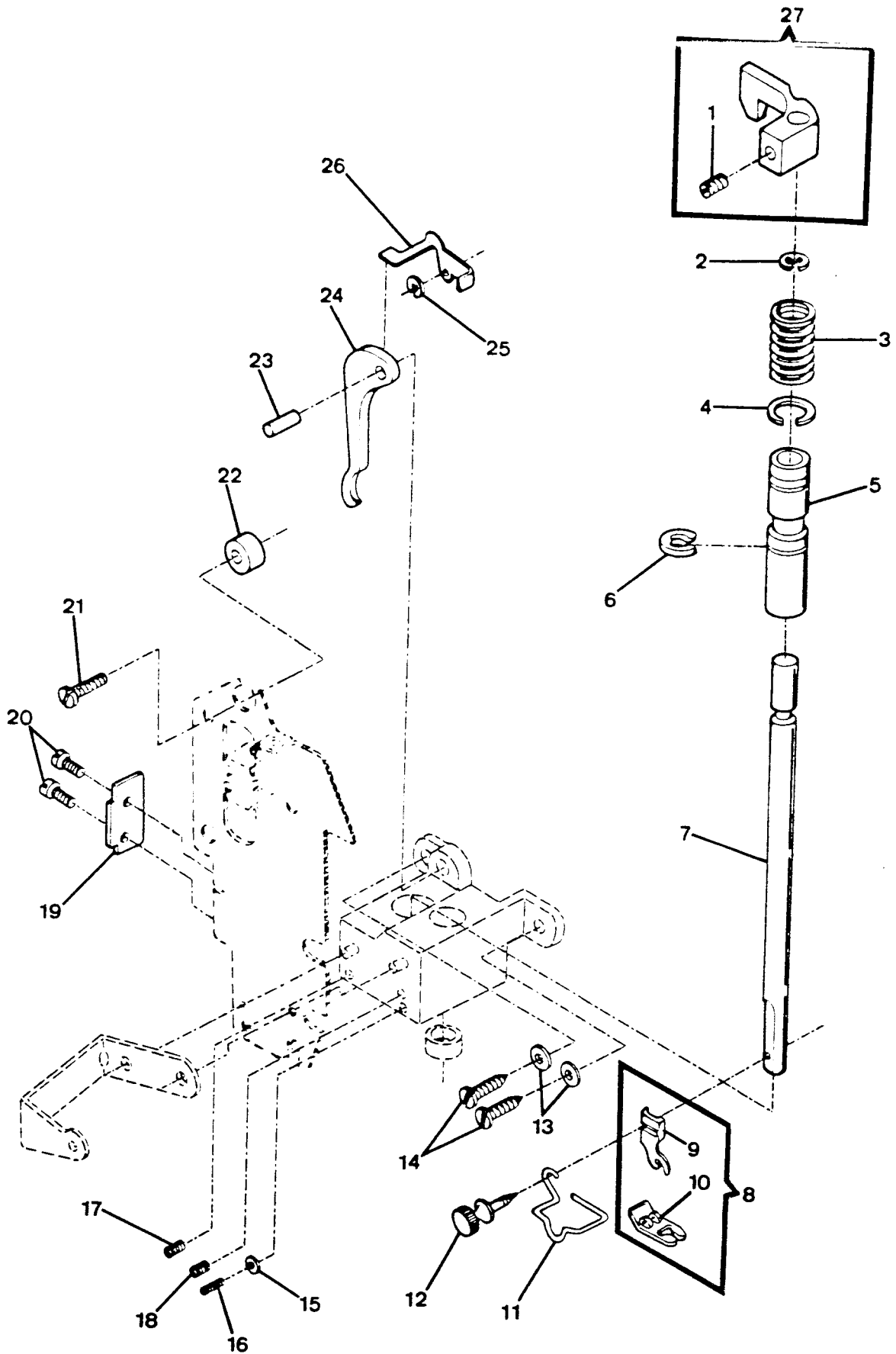
PART NBR	EUROPE W/o VDE	EUROPE	UK W/o BEAB	AUSTRALIA	NON REG EUROPE	UL/CSA	IG-SINGER 120V	IG-SINGER 220V	IG-MCPK 120V	IG-MCPK 220V	M/C
356757-001							X				2302
-002								X			2302
-003							X				2305
-004								X			2305
-005							X				2315
-006								X			2315
-007							X				2330
-008								X			2330
-009	X										2502
-010	X										2504
-011	X										2515
-012	X										2530
-013						X					2502
-014						X					2503
-015						X					2515
-016						X					2530
-017							X				2530
-018								X			2530

13

PART LIST
NEEDLE BAR

REF.	PART NBR	DESCRIPTION	2	2	3	3	4	4	5	5	0	0
			2	2	2	2	2	2	2	2	2	2
			3	5	3	5	3	5	3	5	3	5
			0	0	0	0	0	0	1	1	3	3
			2	2	3	3	4	4	5	5	0	0
01	445672	THREAD TAKE-UP LEVER COMPLETE	X	X	X	X	X	X	X	X	X	X
02	446260	THREAD TAKE-UP STUD	X	X	X	X	X	X	X	X	X	X
03	446357	NEEDLE BAR CONNECTING LINK	X	X	X	X	X	X	X	X	X	X
04	446190	NEEDLE BAR DRIVING ARM HINGE BRACKET	X	X	X	X	X	X	X	X	X	X
05	37935	NEEDLE BAR DRIVING ARM HINGE BRACKET HINGE PIN	X	X	X	X	X	X	X	X	X	X
06	353522	NEEDLE BAR BALL BUSHING (UPPER) RETAINING RING	X	X	X	X	X	X	X	X	X	X
07	507379	NEEDLE BAR BALL BUSHING (UPPER) SOCKET (LOWER)	X	X	X	X	X	X	X	X	X	X
08	446355-001	NEEDLE BAR BALL BUSHING (UPPER)	X	X	X	X	X	X	X	X	X	X
09	353521	NEEDLE BAR VIBRATING BRACKET	X	X	X	X	X	X	X	X	X	X
10	353520	NEEDLE BAR VIBRATING BRACKET COMPLETE	X	X	X	X	X	X	X	X	X	X
11	141844-819	NEEDLE BAR DRIVING ARM HINGE BRACKET SCREW	X	X	X	X	X	X	X	X	X	X
12	446359	NEEDLE BAR VIBRATING BRACKET HINGE PIN	X	X	X	X	X	X	X	X	X	X
13	445721	NEEDLE BAR VIBRATING BRACKET HINGE PIN RETAINING RING	X	X	X	X	X	X	X	X	X	X
14	353402-451	NEEDLE BAR VIBRATING BRACKET HINGE PIN NUT	X	X	X	X	X	X	X	X	X	X
15	353549-940	NEEDLE BAR CONNECTING STUD WITH HINGE PIN	X	X	X	X	X	X	X	X	X	X
16	353549	NEEDLE BAR CONNECTING STUD	X	X	X	X	X	X	X	X	X	X
17	37931	NEEDLE BAR CONNECTING STUD HINGE PIN	X	X	X	X	X	X	X	X	X	X
18	141916-833	NEEDLE BAR CLAMPING SCREW	X	X	X	X	X	X	X	X	X	X
19	445793	NEEDLE BAR	X	X	X	X	X	X	X	X	X	X
20	37943	NEEDLE BAR GIB	X	X	X	X	X	X	X	X	X	X
21	446355-001	NEEDLE BAR BALL BUSHING (LOWER)	X	X	X	X	X	X	X	X	X	X
22	507379	NEEDLE BAR BALL BUSHING (LOWER) SOCKET	X	X	X	X	X	X	X	X	X	X
23	446361-001	NEEDLE BAR BALL BUSHING (LOWER) ADJUSTING COLLAR	X	X	X	X	X	X	X	X	X	X
24	355248-451	NEEDLE THUMB SCREW	X	X	X	X	X	X	X	X	X	X
25	353630	NEEDLE CLAMP BODY	X	X	X	X	X	X	X	X	X	X
26	204514-100	NEEDLE 2045 SIZE NBR 14	X	X	X	X	X	X	X	X	X	X
27	353629	NEEDLE CLAMP THREAD GUIDE	X	X	X	X	X	X	X	X	X	X
28	141808-451	NEEDLE CLAMP BODY, NEEDLE CLAMP THREAD GUIDE & NEEDLE STOP SCREW	X	X	X	X	X	X	X	X	X	X
29	44450	NEEDLE BAR BALL BUSHING (LOWER) SOCKET (UPPER)	X	X	X	X	X	X	X	X	X	X
30	356599-001	NEEDLE BAR, PRESSER BAR & VIBRATING BRACKET HOUSING ASSEMBLY	X	X	X	X	X	X	X	X	X	X
31	445486	THREAD TAKE-UP STUD RETAINING RING	X	X	X	X	X	X	X	X	X	X
32	543531	THREAD TAKE-UP STUD THRUST WASHER	X	X	X	X	X	X	X	X	X	X
33	353424	NEEDLE BAR BALL BUSHING (UPPER) WAVED WASHER	X	X	X	X	X	X	X	X	X	X
34	446261	THREAD TAKE-UP STUD WITH RING	X	X	X	X	X	X	X	X	X	X
35	353631	NEEDLE CLAMP BODY WITH SCREW	X	X	X	X	X	X	X	X	X	X
36	113480-451	NEEDLE BAR, PRESSER BAR & VIBRATING BRACKET HOUSING PLATE MOUNTING SCREW	X	X	X	X	X	X	X	X	X	X

PRESSER BAR

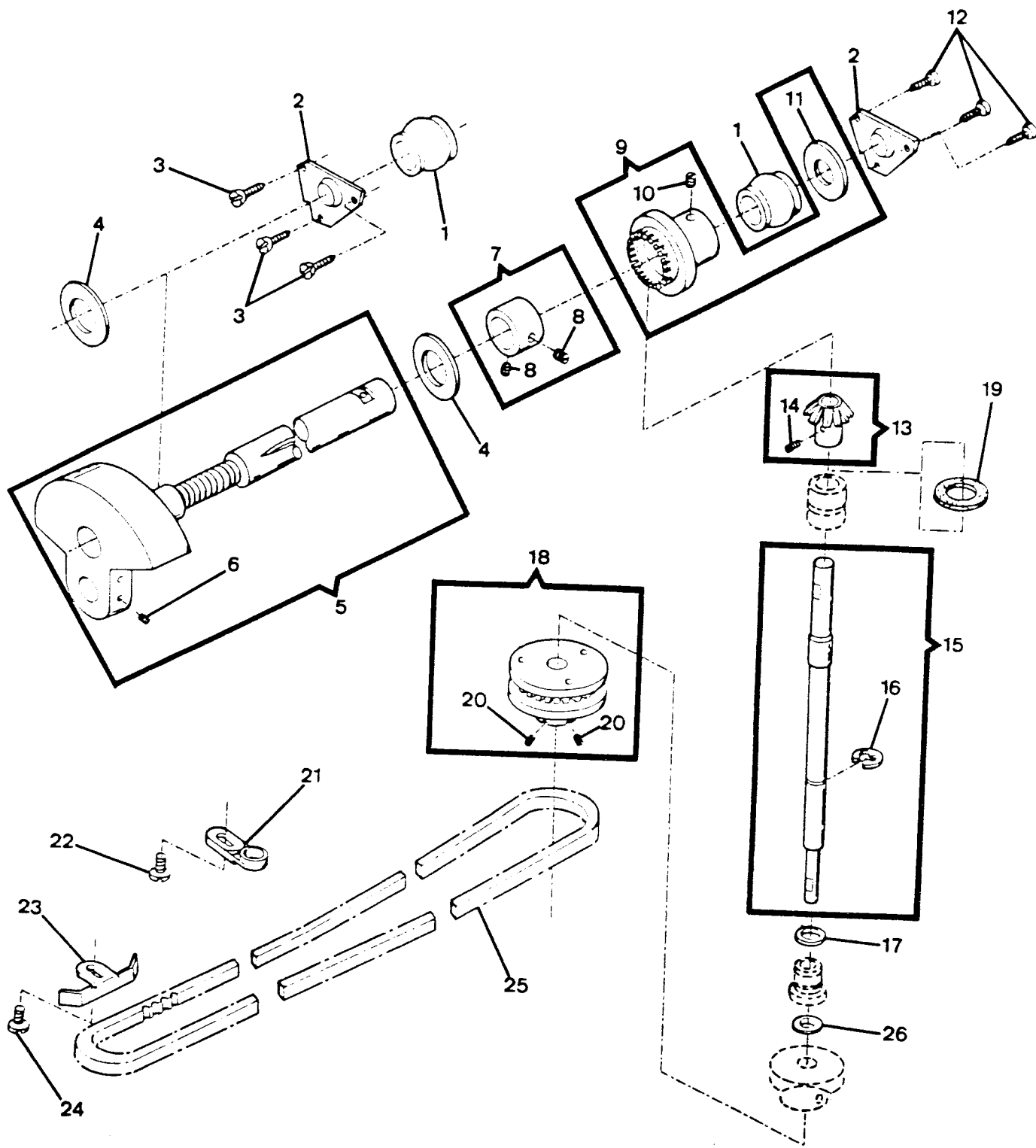


PART LIST
PRESSER BAR

2 2 2 2 2 2 2 2 2
3 5 3 5 3 5 3 5 3 5
0 0 0 0 0 0 1 1 3 3
2 2 3 3 4 4 5 5 0 0

REF.	PART NBR	DESCRIPTION								
01	141925-833	PRESSER BAR GUIDE BRACKET SET SCREW	X	X	X	X	X	X	X	X
02	353215	PRESSER BAR SPRING RETAINING RING (UPPER)	X	X	X	X	X	X	X	X
03	353214	PRESSER BAR SPRING	X	X	X	X	X	X	X	X
04	353252	PRESSER BAR SPRING RETAINING RING	X	X	X	X	X	X	X	X
05	445947-001	PRESSER BAR BUSHING	X	X	X	X	X	X	X	X
06	353252	PRESSER BAR BUSHING LOCATING RING	X	X	X	X	X	X	X	X
07	314638	PRESSER BAR	X	X	X	X	X	X	X	X
08	446372	PRESSER FOOT (SNAP-ON) COMPLETE FOR ZIG-ZAG SEWING	X	X	X	X	X	X	X	X
09	155964	PRESSER FOOT SHANK (SNAP-ON)	X	X	X	X	X	X	X	X
10	446371	PRESSER FOOT PLATE (SNAP-ON) FOR ZIG-ZAG SEWING	X	X	X	X	X	X	X	X
11	116863	FINGER GUARD (EUROPE)	X	X	X	X	X	X	X	X
12	354135-452	PRESSER FOOT THUMB SCREW	X	X	X	X	X	X	X	X
13	353375-451	NEEDLE BAR, PRESSER BAR & VIBRATING BRACKET HOUSING MOUNTING SCREW (LOWER) WASHER	X	X	X	X	X	X	X	X
14	113434-451	NEEDLE BAR, PRESSER BAR & VIBRATING BRACKET HOUSING MOUNTING SCREW (LOWER)	X	X	X	X	X	X	X	X
15	54591-451	NEEDLE BAR OVER THROW SET SCREW NUT	X	X	X	X	X	X	X	X
16	354993-451	NEEDLE BAR OVER THROW SET SCREW	X	X	X	X	X	X	X	X
17	354906-451	PRESSER BAR BUSHING SET SCREW	X	X	X	X	X	X	X	X
18	141938-833	NEEDLE BAR BALL BUSHING (LOWER) ADJUSTING COLLAR SET SCREW	X	X	X	X	X	X	X	X
19	446353	PRESSER BAR GUIDE BRACKET POSITIONER	X	X	X	X	X	X	X	X
20	141913-451	PRESSER BAR GUIDE BRACKET POSITIONER SCREW	X	X	X	X	X	X	X	X
21	113455-009	NEEDLE BAR & PRESSER BAR VIBRATING BRACKET HOUSING MOUNTING SCREW (UPPER)	X	X	X	X	X	X	X	X
22	531627	NEEDLE BAR, PRESSER BAR & VIBRATING BRACKET HOUSING MOUNTING BUSHING	X	X	X	X	X	X	X	X
23	446354-451	PRESSER BAR LIFTER HINGE PIN	X	X	X	X	X	X	X	X
24	446356	PRESSER BAR LIFTER	X	X	X	X	X	X	X	X
25	445486	TENSION RELEASING LEVER RETAINING RING	X	X	X	X	X	X	X	X
26	445925	TENSION RELEASING LEVER	X	X	X	X	X	X	X	X
27	353212	PRESSER BAR GUIDE BRACKET ASSEMBLY	X	X	X	X	X	X	X	X

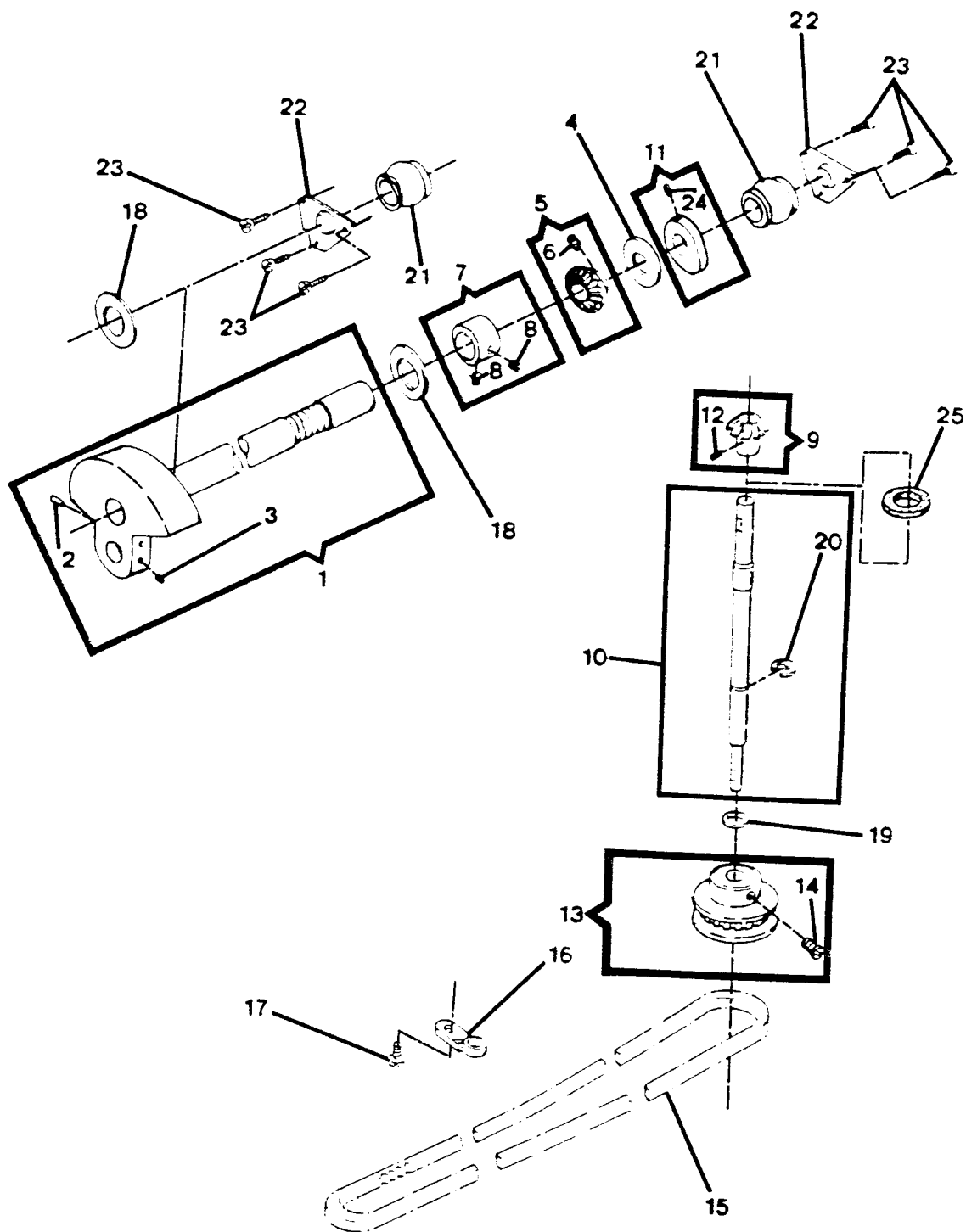
ARM SHAFT DRIVE



PART LIST
ARM SHAFT DRIVE

REF.	PART NBR	DESCRIPTION	2	2	2	2	2	2	2	2	2
			2	2	2	2	2	2	2	2	2
			3	5	3	5	3	5	3	5	3
			0	0	0	0	0	0	1	1	3
			2	2	3	3	4	4	5	5	0
01	446384	ARM SHAFT BUSHING (FRONT)	X	X	X	X	X	X	X	X	X
02	446385	ARM SHAFT BUSHING (FRONT) RETAINING BRACKET	X	X	X	X	X	X	X	X	X
03	113455-001	ARM SHAFT BUSHING (FRONT) RETAINING BRACKET SCREW	X	X	X	X	X	X	X	X	X
04	319764	ARM SHAFT (HORIZONTAL) RETAINING COLLAR WASHER	X	X	X	X	X	X	X	X	X
05	531684	ARM SHAFT COMPLETE	X	X	X	X	X	X	X	X	X
06	354105-833	NEEDLE BAR CRANK POSITION SET SCREW	X	X	X	X	X	X	X	X	X
07	353580	ARM SHAFT (HORIZONTAL) RETAINING COLLAR	X	X	X	X	X	X	X	X	X
08	113500-451	ARM SHAFT (HORIZONTAL) RETAINING COLLAR SET SCREW	X	X	X	X	X	X	X	X	X
09	353272	ARM SHAFT (HORIZONTAL) BEVEL GEAR & FEED LIFTING (ECCENTRIC) COMPLETE	X	X	X	X	X	X	X	X	X
10	354813-451	ARM SHAFT (HORIZONTAL) BEVEL GEAR & FEED LIFTING (ECCENTRIC) SET SCREW	X	X	X	X	X	X	X	X	X
11	353413	ARM SHAFT (HORIZONTAL) BEVEL GEAR & FEED LIFTING (ECCENTRIC) WASHER (PLASTIC)	X	X	X	X	X	X	X	X	X
12	113455-001	ARM SHAFT BUSHING (REAR) RETAINING BRACKET SCREW	X	X	X	X	X	X	X	X	X
13	353273-002	ARM SHAFT (UPRIGHT) BEVEL GEAR (PLASTIC)	X	X	X	X	X	X	X	X	X
14	354105-833	ARM SHAFT (UPRIGHT) BEVEL GEAR SET SCREW	X	X	X	X	X	X	X	X	X
15	179952-002	ARM SHAFT (UPRIGHT) ASSEMBLY	X	X	X	X	X	X	X	X	X
16	353215	ARM SHAFT (UPRIGHT) RETAINING RING	X	X	X	X	X	X	X	X	X
17	353394	ARM SHAFT (UPRIGHT) RETAINING RING WASHER	X	X	X	X	X	X	X	X	X
18	353438-001	ARM SHAFT (UPRIGHT) BELT DRIVE PULLEY ASSEMBLY COMPLETE	X	X	X	X	X	X	X	X	X
19	356819	ARM SHAFT (UPRIGHT) BELT WASHER	X	X	X	X	X	X	X	X	X
20	354906-451	ARM SHAFT (UPRIGHT) BELT DRIVE PULLEY RETAINING COLLAR SET SCREW	X	X	X	X	X	X	X	X	X
21	531630	ROTATING HOOK DRIVE BELT TENSION ADJUSTER	X	X	X	X	X	X	X	X	X
22	113453-003	ROTATING HOOK DRIVE BELT TENSIONER SCREW	X	X	X	X	X	X	X	X	X
23	446376	BELT RETAINER (LEFT)	X	X	X	X	X	X	X	X	X
24	113455-001	BELT RETAINER (LEFT) SCREW	X	X	X	X	X	X	X	X	X
25	446237	BELT (ROTATING HOOK DRIVE)	X	X	X	X	X	X	X	X	X
26	319826	ARM SHAFT (UPRIGHT) BELT DRIVE PULLEY WASHER	X	X	X	X	X	X	X	X	X

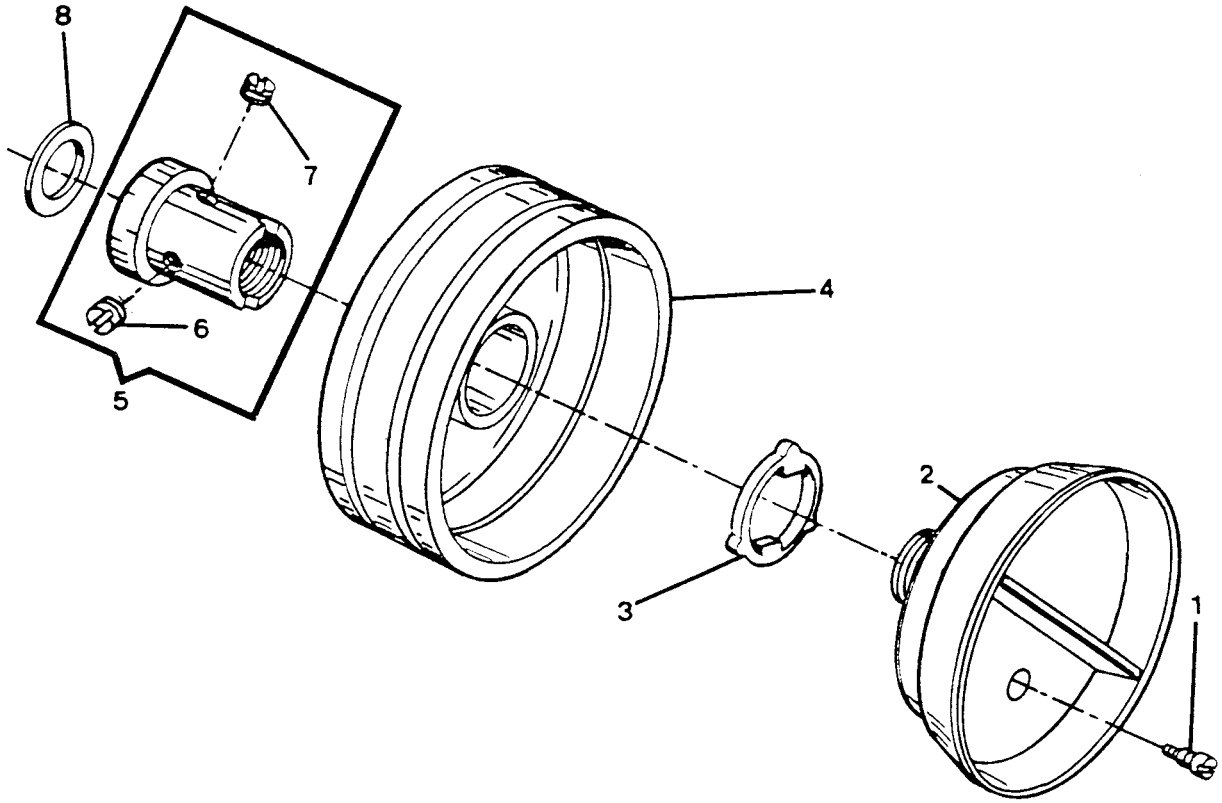
ARM SHAFT DRIVE



PART LIST
ARM SHAFT DRIVE

REF.	PART NBR	DESCRIPTION	2	2	2	2	2	2	2	2
			2	2	2	2	2	2	2	2
			3	5	3	5	3	5	3	5
			0	0	0	0	0	0	1	1
			2	2	3	3	4	4	5	5
01	531657	ARM SHAFT (HORIZONTAL) COMPLETE	X	X	X	X	X	X	X	X
02	445898	NEEDLE BAR CRANK PIN	X	X	X	X	X	X	X	X
03	354105-833	NEEDLE BAR CRANK POSITION SET SCREW	X	X	X	X	X	X	X	X
04	37284-001	FEED FORKED CONNECTING RETAINING WASHER (PLASTIC)	X	X	X	X	X	X	X	X
05	319695	ARM SHAFT (HORIZONTAL) BEVEL GEAR (PLASTIC)	X	X	X	X	X	X	X	X
06	354813-451	ARM SHAFT (HORIZONTAL) BEVEL GEAR & FEED LIFTING (ECCENTRIC) SET SCREW	X	X	X	X	X	X	X	X
07	353580	ARM SHAFT (HORIZONTAL) RETAINING COLLAR COMPLETE	X	X	X	X	X	X	X	X
08	113500-451	ARM SHAFT (HORIZONTAL) RETAINING COLLAR SET SCREW	X	X	X	X	X	X	X	X
09	531658	ARM SHAFT BEVEL GEAR (UPRIGHT) COMPLETE	X	X	X	X	X	X	X	X
10	531659	ARM SHAFT (UPRIGHT)	X	X	X	X	X	X	X	X
11	357039	FEED CAM WITH SCREW	X	X	X	X	X	X	X	X
12	354105-833	ARM SHAFT (UPRIGHT) BEVEL GEAR (PLASTIC) SET SCREW	X	X	X	X	X	X	X	X
13	445543	ARM SHAFT (UPRIGHT) BELT DRIVE PULLEY COMPLETE	X	X	X	X	X	X	X	X
14	354906-451	ROTATING HOOK BELT DRIVE PULLEY SET SCREW	X	X	X	X	X	X	X	X
15	37977	BELT (ROTATING HOOK DRIVE)	X	X	X	X	X	X	X	X
16	531630	ROTATING HOOK DRIVE BELT TENSION ADJUSTED	X	X	X	X	X	X	X	X
17	354833-451	ROTATING HOOK DRIVE BELT TENSIONER SCREW	X	X	X	X	X	X	X	X
18	319764	NEEDLE BAR CRANK WASHER (PLASTIC)	X	X	X	X	X	X	X	X
19	353394	ARM SHAFT (UPRIGHT) RETAINING RING WASHER	X	X	X	X	X	X	X	X
20	353215	ARM SHAFT (UPRIGHT) RETAINING RING	X	X	X	X	X	X	X	X
21	446384	ARM SHAFT BUSHING (LEFT & RIGHT)	X	X	X	X	X	X	X	X
22	446385	ARM SHAFT BUSHING RETAINING PLATE	X	X	X	X	X	X	X	X
23	113455-001	ARM SHAFT BUSHING RETAINING BRACKET SCREW	X	X	X	X	X	X	X	X
24	354813-451	FEED CAM SET SCREW	X	X	X	X	X	X	X	X
25	356819	ARM SHAFT (UPRIGHT) FELT WASHER	X	X	X	X	X	X	X	X

HAND WHEEL

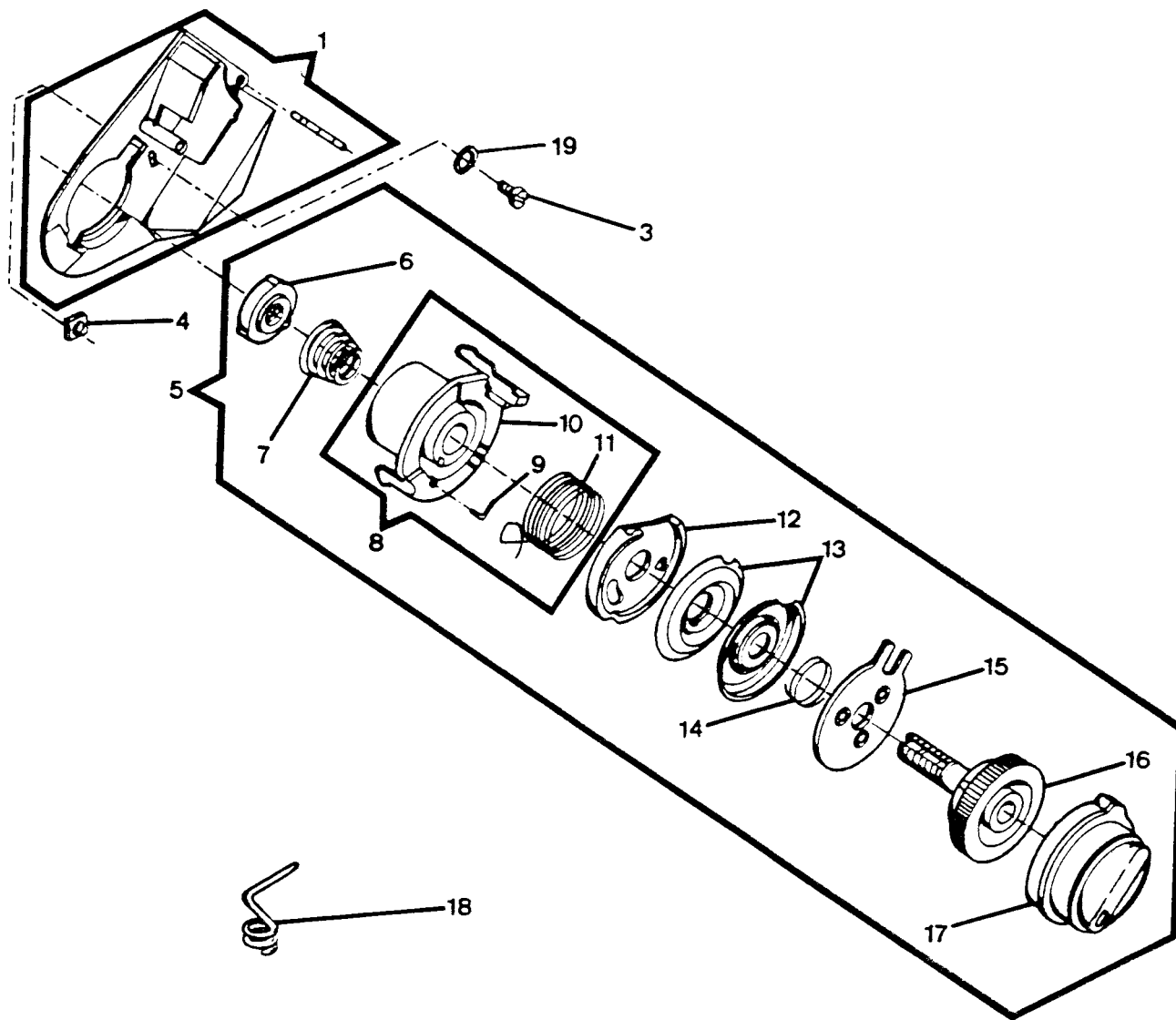


PART LIST
HAND WHEEL

2 2 2 2 2 2 2 2 2 2
3 5 3 5 3 5 3 5 3 5
0 0 0 0 0 0 1 1 3 3
2 2 3 3 4 4 5 5 0 0

REF.	PART NBR	DESCRIPTION									
01	141914-453	CLAMP STOP MOTION STOP SCREW	X	X	X	X	X	X	X	X	X
02	356755-452	CLAMP STOP MOTION SCREW	X	X	X	X	X	X	X	X	X
03	44464	HAND WHEEL CLAMPING WASHER	X	X	X	X	X	X	X	X	X
04	356754-452	HAND WHEEL (CAST IRON)	X	X	X	X	X	X	X	X	X
05	356886	CLAMP STOP MOTION FLANGED BUSHING COMPLETE	X	X	X	X	X	X	X	X	X
06	141916-833	CLAMP STOP MOTION FLANGED BUSHING SET SCREW	X	X	X	X	X	X	X	X	X
07	141916-833	CLAMP STOP MOTION FLANGED BUSHING SET SCREW	X	X	X	X	X	X	X	X	X
08	319764	CLAMP STOP MOTION BUSHING SPACER	X	X	X	X	X	X	X	X	X

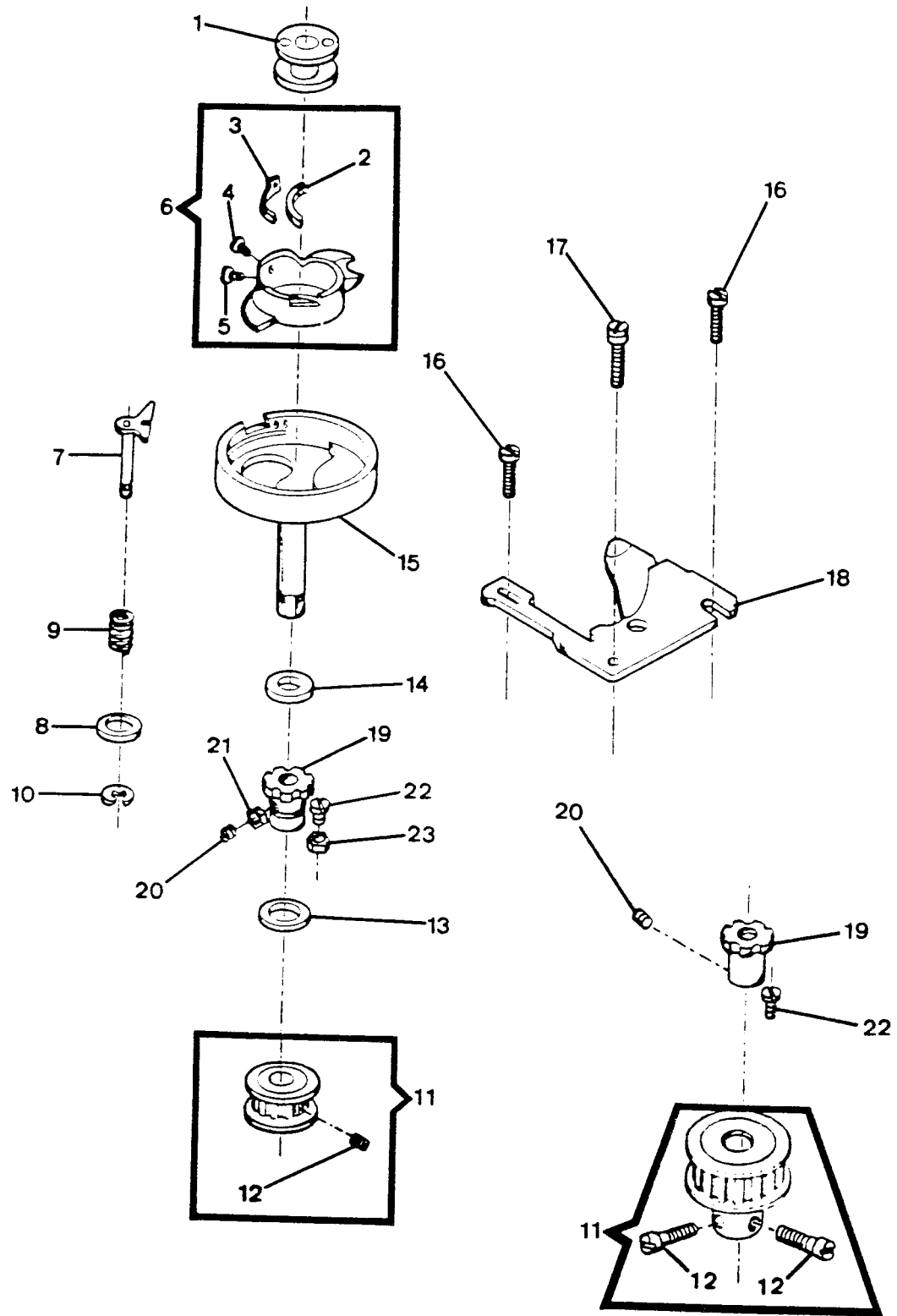
TENSION



PART LIST
TENSION

REF.	PART NBR	DESCRIPTION	2	2	2	2	2	2	2	2	2
			3	5	3	5	3	5	3	5	3
			0	0	0	0	0	0	1	1	3
			2	2	3	3	4	4	5	5	0
01	356040-452	TENSION MECHANISM SHROUDER ASSEMBLY	X	X	X	X	X	X	X	X	X
03	355236-451	TENSION THREAD GUIDE SCREW	X	X	X	X	X	X	X	X	X
04	514698-451	TENSION THREAD GUIDE SCREW NUT	X	X	X	X	X	X	X	X	X
05	356088-457	TENSION MECHANISM ASSEMBLY	X	X	X	X	X	X	X	X	X
06	356095	TENSION STUD NUT	X	X	X	X	X	X	X	X	X
07	356096	TENSION SPRING	X	X	X	X	X	X	X	X	X
08	356245	TENSION MECHANISM SUPPORT ASSEMBLY	X	X	X	X	X	X	X	X	X
09	356246-900	TENSION MECHANISM SUPPORT PIN	X	X	X	X	X	X	X	X	X
0	356089	TENSION MECHANISM SUPPORT	X	X	X	X	X	X	X	X	X
1	356097	THREAD TAKE-UP SPRING	X	X	X	X	X	X	X	X	X
2	356091	THREAD TAKE-UP SPRING THREAD GUARD	X	X	X	X	X	X	X	X	X
3	356094	TENSION DISC	X	X	X	X	X	X	X	X	X
4	356216	TENSION DISC PRESSURE PLATE SPRING	X	X	X	X	X	X	X	X	X
5	356177	TENSION DISC PRESSURE PLATE	X	X	X	X	X	X	X	X	X
6	356092-451	TENSION INDICATOR WITH STUD	X	X	X	X	X	X	X	X	X
7	356090-457	TENSION INDICATOR DIAL	X	X	X	X	X	X	X	X	X
8	445784	THREAD GUIDE (LOWER)	X	X	X	X	X	X	X	X	X
9	356443	TENSION THREAD GUIDE SCREW WASHER	X	X	X	X	X	X	X	X	X

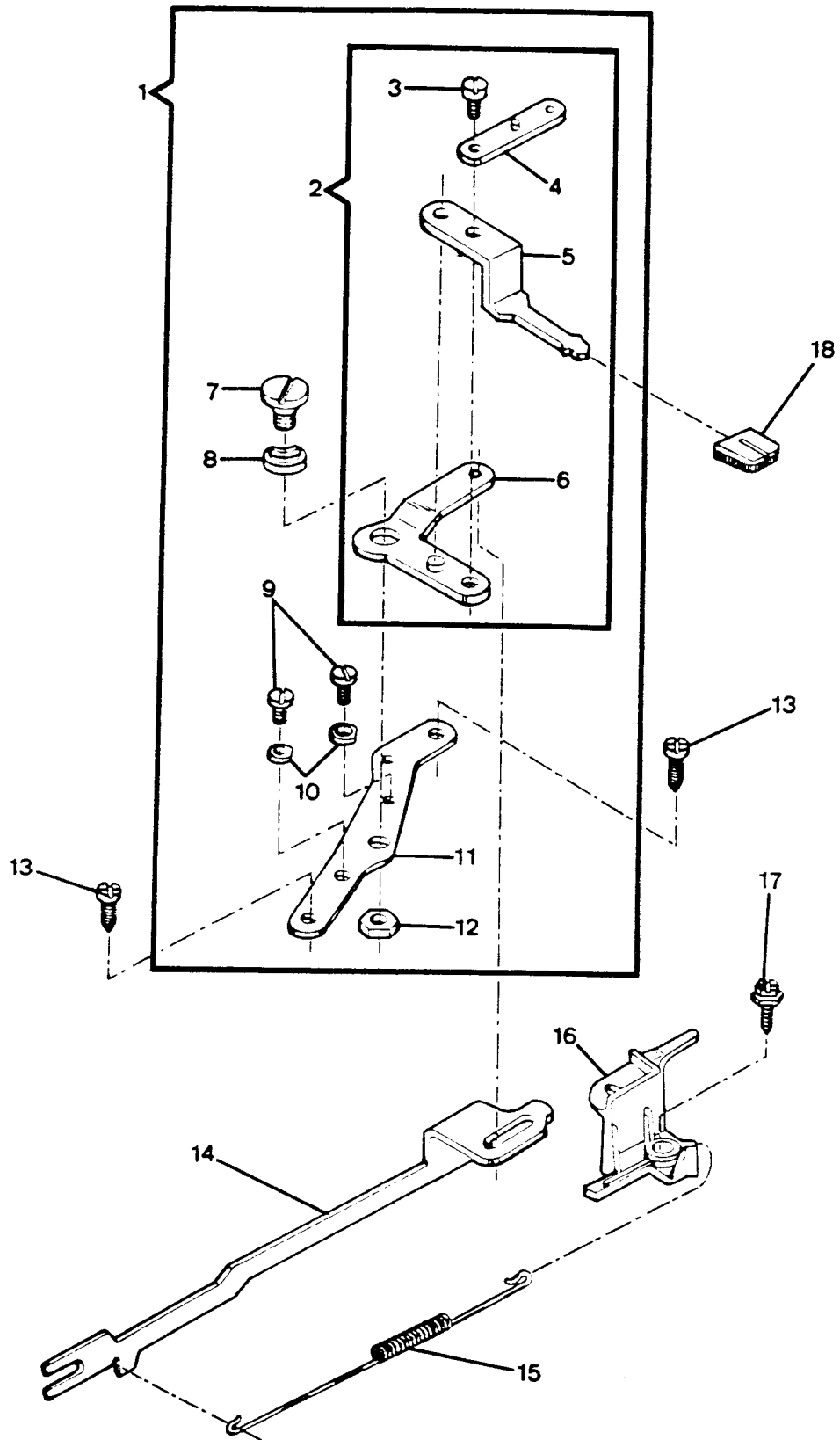
ROTATING HOOK



PART LIST
ROTATING HOOK

REF.	PART NBR	DESCRIPTION	2	2	2	2	2	2	2	2
			3	5	3	5	3	5	3	5
			0	0	0	0	0	0	1	1
			2	2	3	3	4	4	5	5
									0	0
01	172336	ROTATING HOOK BOBBIN (PLASTIC)	X	X	X	X	X	X	X	X
02	356490-451	ROTATING HOOK BOBBIN CASE TENSION SPRING SEGMENT	X	X	X	X	X	X	X	X
03	314715	ROTATING HOOK BOBBIN CASE TENSION SPRING	X	X	X	X	X	X	X	X
04	354183-452	ROTATING HOOK BOBBIN CASE TENSION REGULATING SCREW	X	X	X	X	X	X	X	X
05	139975-452	ROTATING HOOK BOBBIN CASE TENSION SPRING SEGMENT SCREW	X	X	X	X	X	X	X	X
06	421325	ROTATING HOOK BOBBIN CASE	X	X	X	X	X	X	X	X
07	353511	ROTATING HOOK BOBBIN CASE RETAINING PLATE ASSEMBLY	X	X	X	X	X	X	X	X
08	445808	ROTATING HOOK BOBBIN CASE RETAINING PLATE STUD WASHER	X	X	X	X	X	X	X	X
09	44892	ROTATING HOOK BOBBIN CASE RETAINING PLATE STUD SPRING	X	X	X	X	X	X	X	X
10	353509	ROTATING HOOK BOBBIN CASE RETAINING PLATE RETAINING RING	X	X	X	X	X	X	X	X
11	446235	ROTATING HOOK BELT DRIVE PULLEY		X		X		X		X
11	445559	ROTATING HOOK BELT DRIVE PULLEY	X		X		X		X	
12	141803-451	ROTATING HOOK BELT DRIVE PULLEY SCREW		X		X		X		X
12	354906-451	ROTATING HOOK BELT DRIVE PULLEY SCREW	X		X		X		X	
13	382861-906	ROTATING HOOK BELT DRIVE PULLEY WASHER		X		X		X		X
14	353453	ROTATING HOOK WEAR WASHER		X		X		X		X
15	353366	ROTATING HOOK COMPLETE		X		X		X		X
15	356720	ROTATING HOOK	X		X		X		X	
16	113430-451	ROTATING HOOK BOBBIN CASE POSITION PLATE SCREW		X		X		X		X
16	354917-451	ROTATING HOOK BOBBIN CASE POSITION PLATE SCREW	X		X		X		X	
17	113430-451	ROTATING HOOK BOBBIN CASE RETAINING PLATE (ADJUSTABLE & POSITION PLATE) SCREW		X		X		X		X
17	354917-451	ROTATING HOOK BOBBIN CASE RETAINING PLATE (ADJUSTABLE & POSITION PLATE) SCREW	X		X		X		X	
18	44873-001	ROTATING HOOK BOBBIN CASE POSITION PLATE	X	X	X	X	X	X	X	X
19	353410-900	ROTATING HOOK BUSHING	X	X	X	X	X	X	X	X
20	141938-833	ROTATING HOOK BUSHING SET SCREW		X		X		X		X
20	141925-833	ROTATING HOOK BUSHING SET SCREW	X		X		X		X	
21	353367-451	ROTATING HOOK BUSHING SET SCREW NUT		X		X		X		X
22	141844-451	ROTATING HOOK BUSHING ADJUSTING SCREW		X		X		X		X
22	139943-803	ROTATING HOOK FLANGED BUSHING POSITIONING	X		X		X		X	
23	618638-005	ROTATING HOOK BUSHING ADJUSTING SCREW NUT		X		X		X		X

BIGHT AMPLITUDE



PART LIST
BIGHT AMPLITUDE

2 2 2 2 2 2 2 2 2 2
3 5 3 5 3 5 3 5 3 5
0 0 0 0 0 0 1 1 3 3
2 2 3 3 4 4 5 5 0 0

REF. PART NBR

DESCRIPTION

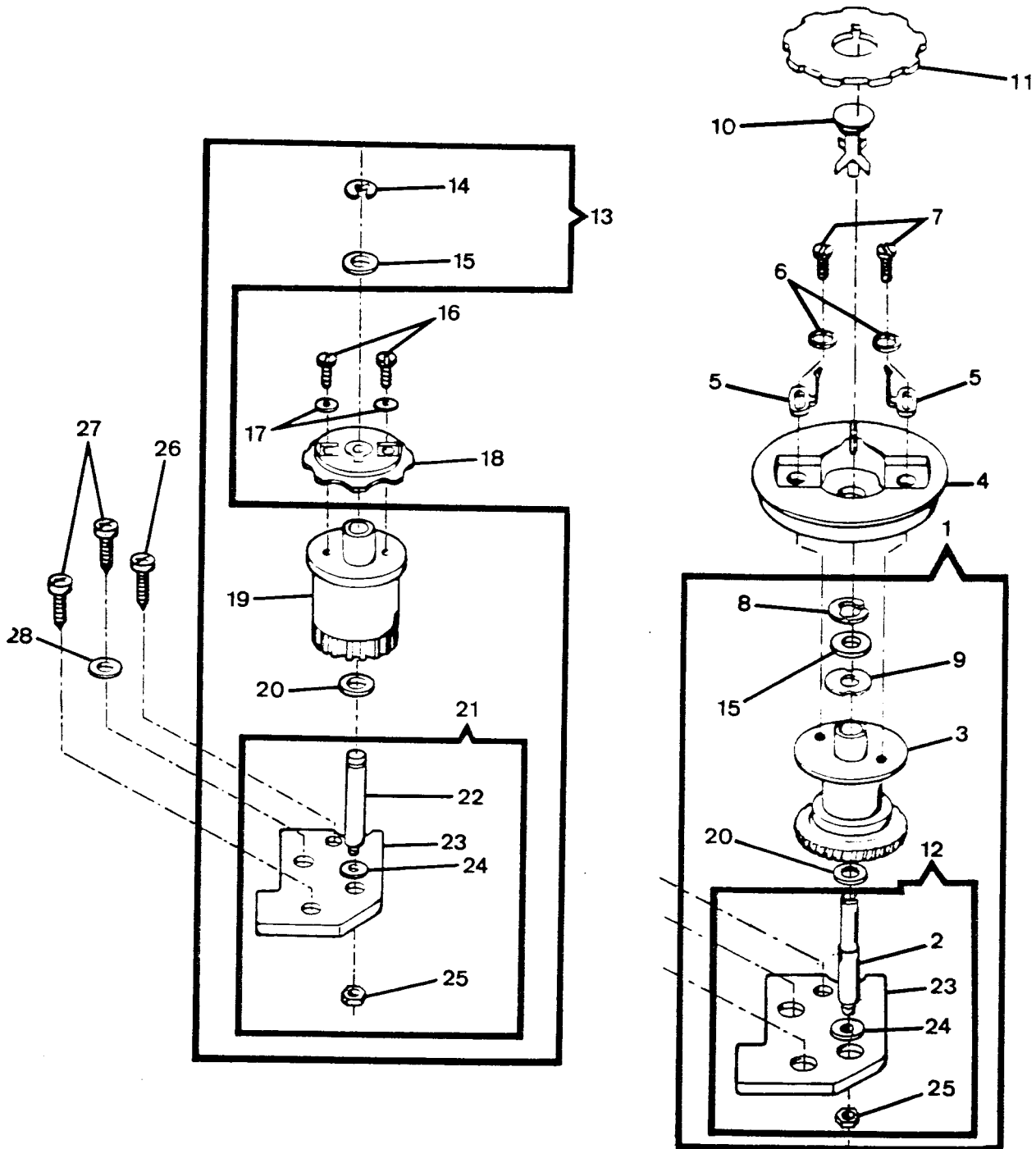
REF.	PART NBR	DESCRIPTION	2	2	3	3	4	4	5	5	0	0
1	446396	BIGHT AMPLITUDE CONTROL LEVER MOUNTING BRACKET COMPLETE	X	X	X	X						
1	179893	BIGHT AMPLITUDE CONTROL LEVER MOUNTING BRACKET COMPLETE							X	X	X	X
2	446395	BIGHT AMPLITUDE CONTROL LEVER SUB-ASSEMBLY	X	X	X	X			X	X	X	X
2	446342	BIGHT AMPLITUDE CONTROL LEVER SUB-ASSEMBLY							X	X	X	X
3	141913-451	BIGHT AMPLITUDE CONTROL LEVER SCREW	X	X	X	X						
3	139866-451	BIGHT AMPLITUDE CONTROL LEVER SCREW							X	X	X	X
4	44556	BUTTONHOLER BIGHT CONTROL CAM FOLLOWER LEVER LINK (LEFT)							X	X	X	X
5	446394	BIGHT AMPLITUDE CONTROL LEVER	X	X	X	X	X	X	X	X	X	X
6	37246	BIGHT AMPLITUDE CONTROL LEVER LINK	X	X	X	X	X	X	X	X	X	X
7	354825-451	BIGHT AMPLITUDE CONTROL LEVER LINK HINGE SCREW	X	X	X	X	X	X	X	X	X	X
8	49204	BIGHT AMPLITUDE CONTROL LEVER LINK HINGE SCREW FRICTION WASHER	X	X	X	X	X	X	X	X	X	X
9	141913-451	BIGHT AMPLITUDE CONTROL LEVER LINK STOP SCREW	X	X	X	X	X	X	X	X	X	X
0	446904	BIGHT AMPLITUDE CONTROL LEVER LINK STOP	X	X	X	X	X	X	X	X	X	X
1	531793	BIGHT AMPLITUDE CONTROL LEVER MOUNTING BRACKET	X	X	X	X	X	X	X	X	X	X
2	54591-451	BIGHT AMPLITUDE CONTROL LEVER LINK HINGE SCREW NUT	X	X	X	X	X	X	X	X	X	X
3	113455-001	BIGHT AMPLITUDE CONTROL LEVER MOUNTING BRACKET SCREW	X	X	X	X	X	X	X	X	X	X
4	37933-002	NEEDLE BAR DRIVING ARM	X	X	X	X	X	X	X	X	X	X
5	37942	NEEDLE BAR DRIVING ARM TENSION SPRING	X	X	X	X	X	X	X	X	X	X
6	445780	LIGHT LEAD SHIELD & NEEDLE BAR DRIVING ARM TENSION SPRING MOUNTING PLATE	X	X	X	X	X	X	X	X	X	X
7	113455-009	LIGHT LEAD SHIELD & NEEDLE BAR DRIVING ARM TENSION SPRING MOUNTING PLATE SCREW	X	X	X	X	X	X	X	X	X	X
8	356961-452	BIGHT AMPLITUDE CONTROL LEVER KNOB (PLASTIC) (GRAY)	X	X	X	X	X	X	X	X	X	X

PART LIST
NEEDLE POSITION

2 2 2 2 2 2 2 2 2 2
3 5 3 5 3 5 3 5 3 5
0 0 0 0 0 0 1 1 3 3
2 2 3 3 4 4 5 5 0 0

REF.	PART NBR	DESCRIPTION								
01	44371	DISC FOLLOWER STUD RETAINING RING (UPPER)	X	X						
02	531736	NEEDLE POSITION SELECTOR BRACKET FOLLOWER STUD ARM ASSEMBLY	X	X	X	X	X	X	X	X
03	356636	NEEDLE BAR DRIVING ARM SLIDE BRACKET COMPLETE	X	X	X	X	X	X	X	X
04	444800	NEEDLE POSITION SELECTOR LEVER BRACKET POSITIONING PIN SPRING	X	X	X	X	X	X	X	X
05	141913-451	NEEDLE POSITION LEVER BRACKET STUD ARM SET SCREW	X	X	X	X	X	X	X	X
06	445721	NEEDLE BAR DRIVING ARM SLIDE BRACKET RETAINING RING	X	X	X	X	X	X	X	X
07	44371	DISC FOLLOWER STUD RETAINING RING (LOWER)	X	X	X	X	X	X	X	X
08	446023	DISC FOLLOWER STUD	X	X	X	X	X	X	X	X
09	445646	DISC FOLLOWER			X	X	X	X	X	X
0	356228	NEEDLE POSITION SELECTOR LEVER BRACKET POSITIONING PIN	X	X	X	X	X	X	X	X
1	54591-451	DISC FOLLOWER STUD NUT	X	X	X	X	X	X	X	X
2	446401	NEEDLE POSITION SELECTOR LEVER MOUNTING PLATE	X	X	X	X	X	X	X	X
3	446604	DISC FOLLOWER SPRING			X	X	X	X	X	X
4	445646	DISC FOLLOWER	X	X						
5	356961-452	NEEDLE POSITION SELECTOR LEVER KNOB (PLASTIC) (GRAY)	X	X	X	X	X	X	X	X
6	446397	NEEDLE POSITION SELECTOR LEVER	X	X	X	X	X	X	X	X
7	141913-451	NEEDLE POSITION SELECTOR LEVER SCREW	X	X	X	X	X	X	X	X
8	353547	NEEDLE POSITION SELECTOR LEVER BRACKET	X	X	X	X				
9	446399	NEEDLE POSITION SELECTOR LEVER ASSEMBLY	X	X	X	X				
0	44628	NEEDLE POSITION SELECTOR LEVER BRACKET ASSEMBLY								
1	446400	NEEDLE POSITION SELECTOR LEVER BRACKET COMPLETE					X	X	X	X
2	113455-001	NEEDLE POSITION SELECTOR LEVER MOUNTING PLATE SCREW					X	X	X	X
			X	X	X	X	X	X	X	X

CAM STACK

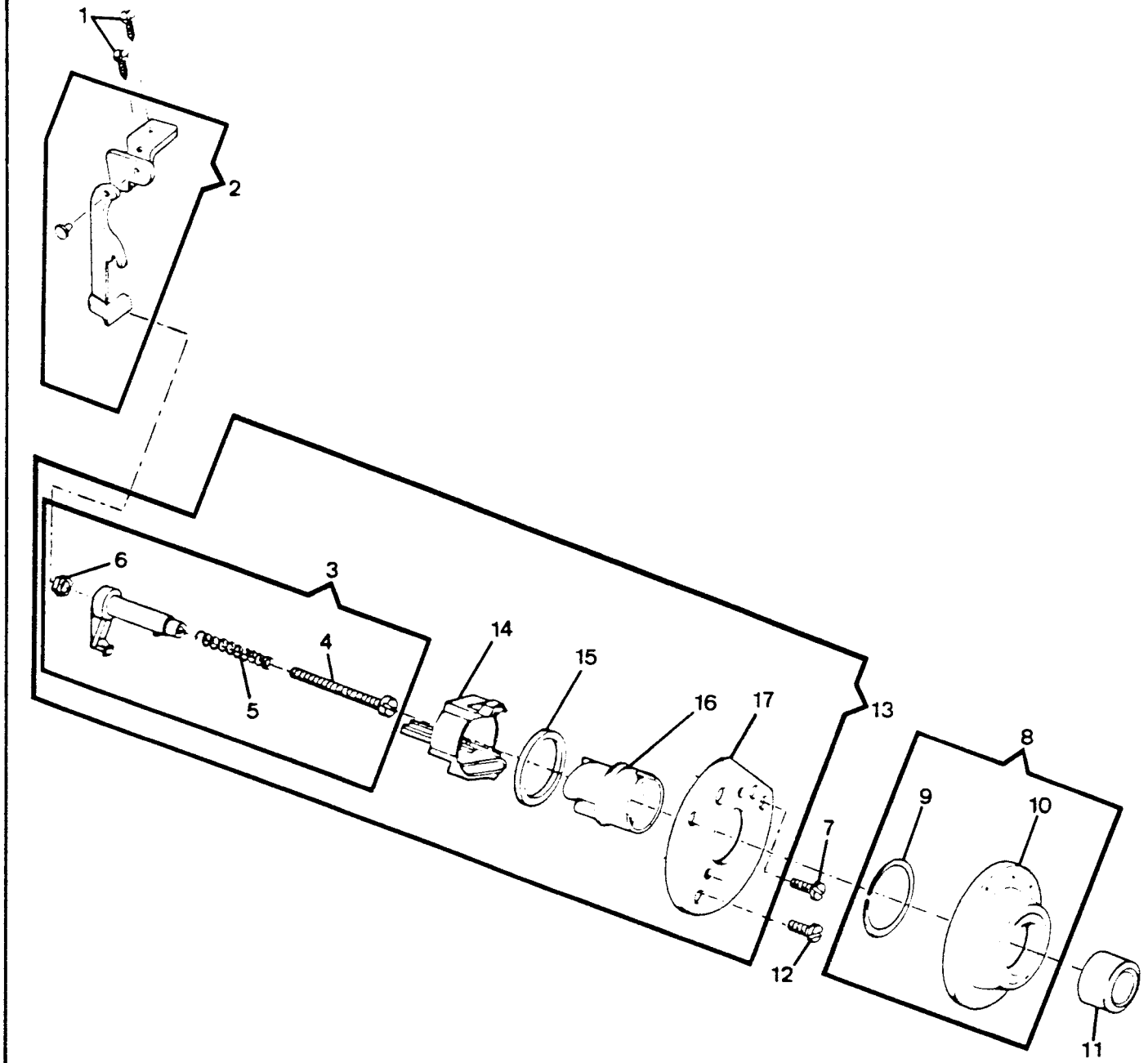


PART LIST
CAM STACK

2 2 2 2 2 2 2 2 2 2
3 5 3 5 3 5 3 5 3 5
0 0 0 0 0 0 1 1 3 3
2 2 3 3 4 4 5 5 0 0

REF.	PART NBR	DESCRIPTION								
01	356763-930	DISC DRIVING GEAR COMPLETE								
02	356765-900	DISC DRIVING GEAR SHAFT								
03	444911	DISC DRIVING GEAR SHAFT ASSEMBLY								
04	446176	DISC DRIVING GEAR POSITIONING ADJUSTING SPACER								
05	444908	DISC DRIVING GEAR RETAINING SPRING								
06	446138	DISC DRIVING GEAR POSITIONING ADJUSTING SPACER SCREW WASHER								
07	141920-452	DISC DRIVING GEAR POSITIONING ADJUSTING SPACER SCREW								
08	603908-001	DISC DRIVING GEAR RETAINING RING								
09	444903-453	DISC DRIVING GEAR RELEASING BRACKET RETAINING WASHER								
10	444906	DISC DRIVING GEAR RELEASING BRACKET STUD COMPLETE								
11	276301	DISC NBR 1 (FOR ZIG-ZAG STITCH)								
12	356764	DISC DRIVING GEAR SHAFT MOUNTING PLATE ASSEMBLY								
13	446421-930	DISC DRIVING GEAR COMPLETE	X	X						
14	444921	DISC DRIVING GEAR RETAINING RING	X	X						
15	444923-453	DISC DRIVING GEAR SHAFT FRICTION WASHER	X	X	X	X	X	X	X	X
16	113375-451	DISC STACK POSITIONING SCREW	X	X						
17	446138	DISC STACK POSITIONING SCREW WASHER	X	X						
18	445762	DISC STACK (PLASTIC)	X	X						
19	179958	DISC DRIVING GEAR	X	X						
20	353424	DISC DRIVING GEAR SHAFT SPACER	X	X	X	X	X	X	X	X
21	446420	DISC DRIVING GEAR SHAFT MOUNTING PLATE ASSEMBLY	X	X						
22	446418	DISC DRIVING GEAR SHAFT	X	X						
23	353575	DISC DRIVING GEAR SHAFT MOUNTING PLATE	X	X	X	X	X	X	X	X
24	353488	DISC DRIVING GEAR SHAFT WASHER	X	X	X	X	X	X	X	X
25	53648-451	DISC DRIVING GEAR SHAFT NUT	X	X	X	X	X	X	X	X
26	113455-001	DISC DRIVING GEAR SHAFT MOUNTING PLATE SCREW	X	X	X	X	X	X	X	X
27	113435-451	DISC DRIVING GEAR SHAFT MOUNTING PLATE SCREW	X	X	X	X	X	X	X	X
28	353375-451	DISC DRIVING GEAR SHAFT MOUNTING PLATE SCREW WASHER	X	X	X	X	X	X	X	X

FEED REGULATOR CAM

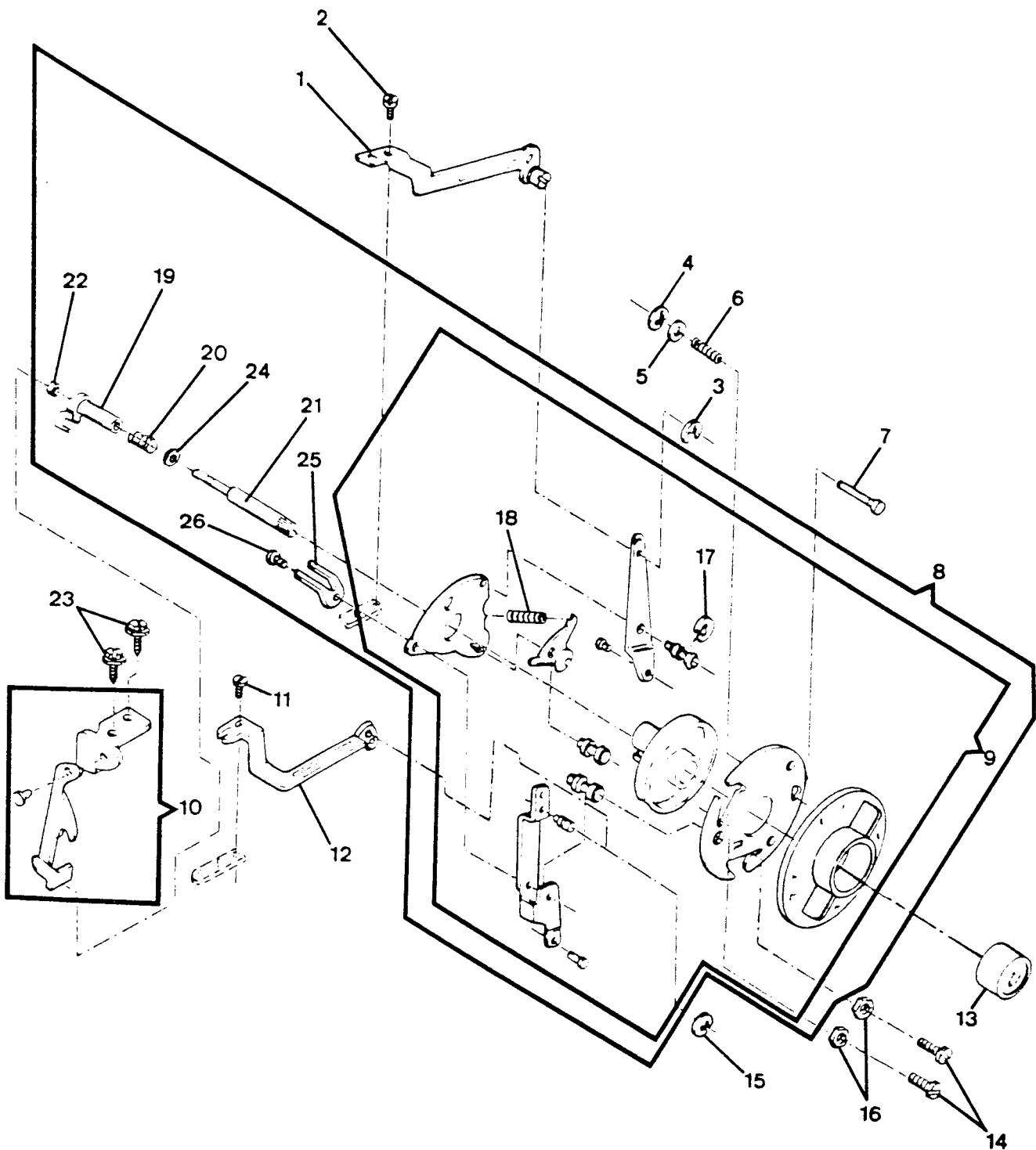


PART LIST
FEED REGULATOR CAM

2 2 2 2 2 2 2 2 2 2
3 5 3 5 3 5 3 5 3 5
0 0 0 0 0 0 1 1 3 3
2 2 3 3 4 4 5 5 0 0

REF.	PART NBR	DESCRIPTION								
01	113455-001	FEED REGULATOR CONTROL ARM MOUNTING BRACKET SCREW	X	X	X	X				
02	353304	FEED REGULATOR CONTROL ARM ASSEMBLY		X		X				
02	531650	FEED REGULATOR CONTROL ARM ASSEMBLY	X		X					
03	356397	FEED REGULATOR CAM FOLLOWER	X	X	X	X				
04	354975-451	FEED REGULATOR CAM FOLLOWER POSITIONING SCREW	X	X	X	X				
05	44892	FEED REGULATOR CAM FOLLOWER POSITIONING SPRING	X	X	X	X				
06	618638-005	FEED REGULATOR CAM FOLLOWER POSITIONING SPRING NUT	X	X	X	X				
07	531806-451	FEED REGULATOR MOUNTING PLATE SCREW (RIGHT)	X	X	X	X				
08	446428-456	FEED REGULATOR CONTROL DIAL ASSEMBLY	X	X	X	X				
09	445461	FEED REGULATOR CONTROL DIAL RETAINING RING	X	X	X	X				
10	446427-456	FEED REGULATOR CONTROL DIAL	X	X	X	X				
11	179904-457	FEED REGULATOR POSITIONING PIN KNOB	X	X	X	X				
12	531807-451	FEED REGULATOR MOUNTING PLATE SCREW (LEFT)	X	X	X	X				
13	353478	FEED REGULATOR CAM COMPLETE	X	X	X	X				
14	446284	FEED REGULATOR MOUNTING PLATE	X	X	X	X				
15	446282	FEED REGULATOR FRICTION WASGER	X	X	X	X				
16	353477	FEED REGULATOR CAM (PLASTIC)	X	X	X	X				
17	446283	FEED REGULATOR MECHANISM MOUNTING PLATE	X	X	X	X				

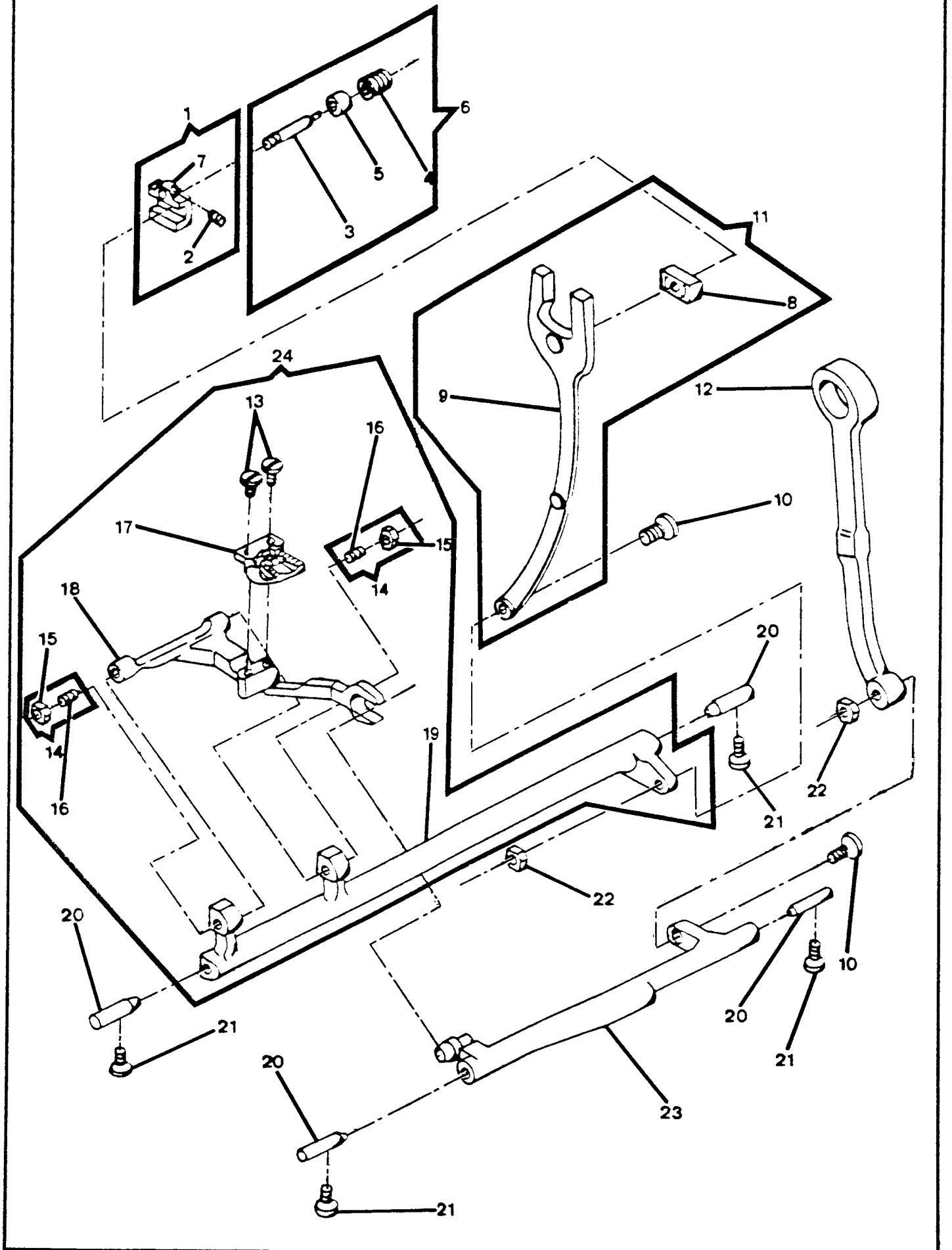
BUTTONHOLER & FEED REGULATOR (



PART LIST
FEED SYSTEM

REF.	PART NBR	DESCRIPTION	2	2	2	2	2	2	2	2	2
			3	5	3	5	3	5	3	5	3
			0	0	0	0	0	0	1	1	3
			2	2	3	3	4	4	5	5	0
01	446485	FEED LIFTING LEVER HINGE STUD (ECCENTRIC) CLAMP	X	X	X	X	X	X	X	X	X
02	113455-001	FEED LIFTING LEVER HINGE STUD (ECCENTRIC) CLAMP	X	X	X	X	X	X	X	X	X
03	179955	FEED LIFTING LEVER HINGE STUD (ECCENTRIC) SPACER	X	X	X	X	X	X	X	X	X
04	446249	FEED LIFTING LEVER SPRING	X	X	X	X	X	X	X	X	X
05	353427	FEED LIFTING LEVER HINGE STUD (ECCENTRIC) SPACER	X	X	X	X	X	X	X	X	X
06	353428	FEED LIFTING LEVER HINGE STUD (ECCENTRIC) RETAINING PLATE	X	X	X	X	X	X	X	X	X
07	353448	FEED LIFTING LEVER HINGE STUD (ECCENTRIC)	X	X	X	X	X	X	X	X	X
08	356222	FEED LIFTING LEVER ASSEMBLY	X	X	X	X	X	X	X	X	X
09	446228	FEED LIFTING CAM	X	X	X	X	X	X	X	X	X
10	544118	FEED LIFTING CAM SCREW	X	X	X	X	X	X	X	X	X
11	113455-001	FEED ROCK SHAFT CENTER SUPPORTING BRACKET SCREW	X	X	X	X	X	X	X	X	X
12	446484	FEED ROCK SHAFT CENTER CLAMP (LEFT & RIGHT)	X	X	X	X	X	X	X	X	X
13	446487-001	FEED ROCK SHAFT CENTER	X	X	X	X	X	X	X	X	X
14	353397	FEED ROCK SHAFT CENTER (RIGHT) NOISE DAMPENING WASHER	X	X	X	X	X	X	X	X	X
15	53648-451	FEED FORKED CONNECTING SCREW STUD NUT	X	X	X	X	X	X	X	X	X
16	354939-451	FEED BAR HINGE SCREW	X	X	X	X	X	X	X	X	X
17	446205	FEED BAR ASSEMBLY	X	X	X	X	X	X	X	X	X
18	179891	FEED DOG	X	X	X	X	X	X	X	X	X
19	355235-451	FEED DOG SCREW	X	X	X	X	X	X	X	X	X
20	446216	FEED ROCK SHAFT COMPLETE	X	X	X	X	X	X	X	X	X
21	353397	FEED ROCK SHAFT CENTER (LEFT) NOISE DAMPENING WASHER	X	X	X	X	X	X	X	X	X
22	531623-451	FEED FORKED CONNECTING HINGE SCREW (ECCENTRIC)	X	X	X	X	X	X	X	X	X
23	531926	FEED FORKED CONNECTING	X	X	X	X	X	X	X	X	X
24	44437	FEED FORKED CONNECTING SLIDE BLOCK	X	X	X	X	X	X	X	X	X
25	446244	FEED REGULATOR ASSEMBLY	X	X	X	X	X	X	X	X	X
26	141925-833	FEED REGULATOR SET SCREW	X	X	X	X	X	X	X	X	X
27	446483	FEED REGULATOR HINGE STUD	X	X	X	X	X	X	X	X	X
28	179890	FEED REGULATOR RETURN SPRING	X	X	X	X	X	X	X	X	X
29	445768	FEED REGULATOR RETURN SPRING BUSHING (PLASTIC)	X	X	X	X	X	X	X	X	X
30	353479	FEED LIFTING LEVER HINGE STUD (ECCENTRIC) WITH RETAINING RING	X	X	X	X	X	X	X	X	X
31	353600	FEED REGULATOR HINGE STUD ASSEMBLY	X	X	X	X	X	X	X	X	X
32	531927	FEED FORKED CONNECTION ASSEMBLY WITH BLACK	X	X	X	X	X	X	X	X	X

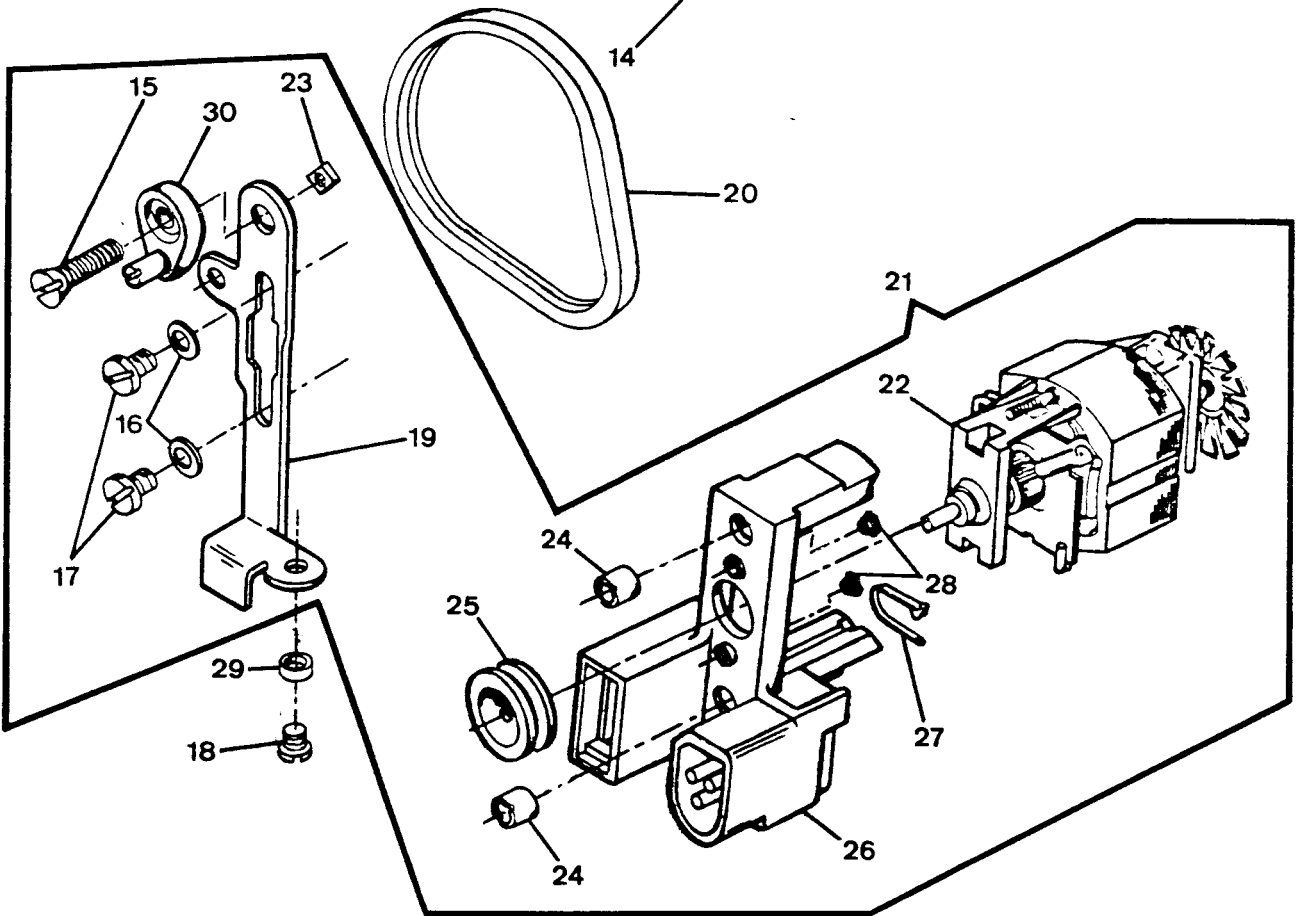
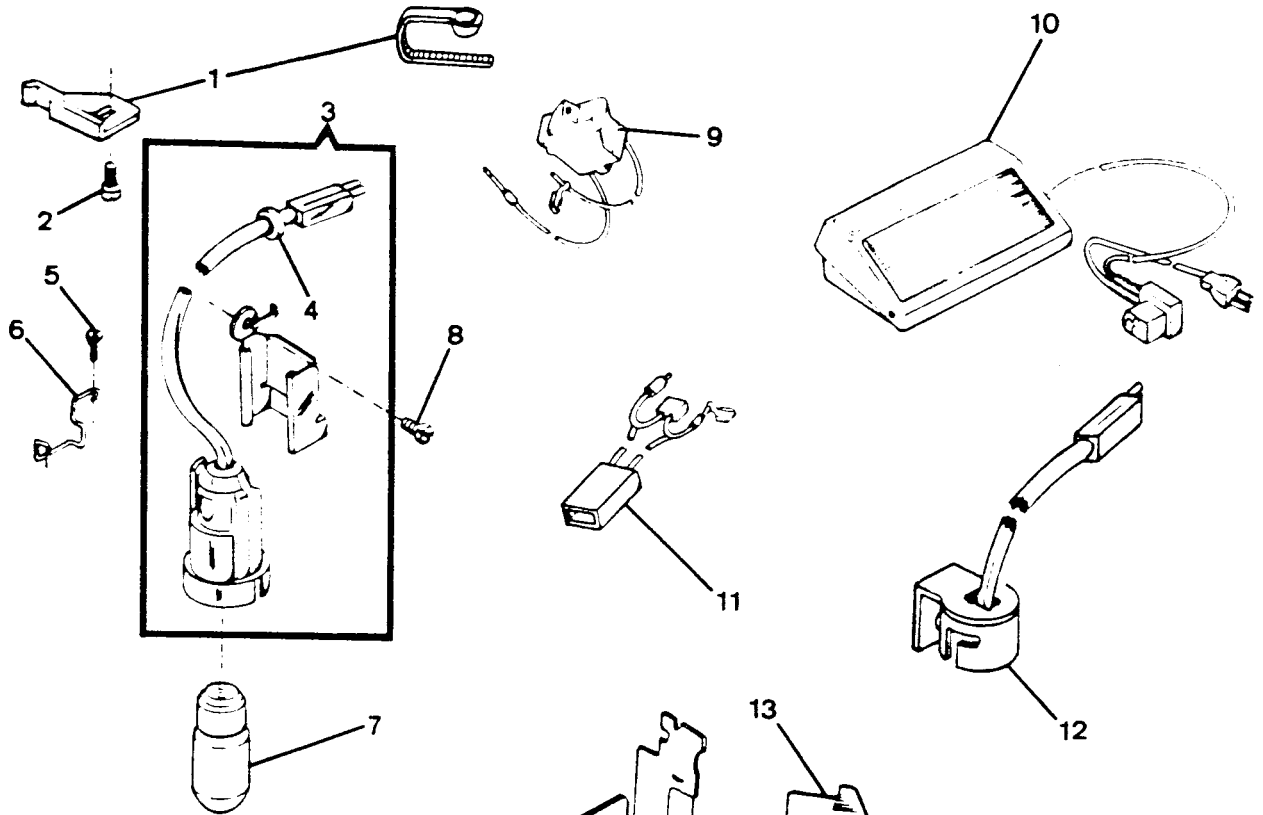
FEED SYSTEM



PART LIST
FEED SYSTEM

REF.	PART NBR	DESCRIPTION	2	2	2	2	2	2	2	2
			3	5	3	5	3	5	3	5
			0	0	0	0	0	0	1	1
			2	2	3	3	4	4	5	5
									0	3
01	531652	FEED REGULATOR COMPLETE	X	X	X	X	X	X	X	X
02	141925-833	FEED REGULATOR SET SCREW	X	X	X	X	X	X	X	X
03	531818	FEED REGULATOR HINGE STUD	X	X	X	X	X	X	X	X
04	445860	FEED REGULATOR RETURN SPRING	X	X	X	X	X	X	X	X
05	531819	FEED REGULATOR RETURN SPRING	X	X	X	X	X	X	X	X
06	531656	FEED REGULATOR HINGE STUD ASSEMBLY	X	X	X	X	X	X	X	X
07	531653	FEED REGULATOR ASSEMBLY	X	X	X	X	X	X	X	X
08	44437	FEED FORKED CONNECTING SLIDE BLOCK	X	X	X	X	X	X	X	X
09	531669	FEED FORKED CONNECTING WITH STUD	X	X	X	X	X	X	X	X
10	141805-850	FEED LIFTING ROCK SHAFT CONNECTING ROD HINGE SCREW (ECCENTRIC)	X	X	X	X	X	X	X	X
11	531668	FEED FORKED CONNECTING ASSEMBLY WITH SLIDE BLOCK	X	X	X	X	X	X	X	X
12	37288	FEED LIFTING ROCK SHAFT CONNECTING ROD (MACHINED)	X	X	X	X	X	X	X	X
13	141808-452	FEED DOG SCREW	X	X	X	X	X	X	X	X
14	44505	FEED BAR SCREW CENTER	X	X	X	X	X	X	X	X
15	53647-819	FEED BAR SCREW CENTER NUT	X	X	X	X	X	X	X	X
16	141921-850	FEED BAR SCREW CENTER	X	X	X	X	X	X	X	X
17	531667	FEED DOG (MACHINED)	X	X	X	X	X	X	X	X
18	44601	FEED BAR (MACHINED)	X	X	X	X	X	X	X	X
19	531666-900	FEED SHAFT	X	X	X	X	X	X	X	X
20	179880-001	FEED LIFTING ROCK SHAFT CENTER (PLASTIC)	X	X	X	X	X	X	X	X
21	141925-833	FEED LIFTING ROCK SHAFT CENTER SET SCREW	X	X	X	X	X	X	X	X
22	53648-451	FEED FORKED CONNECTING HINGE SCREW (ECCENTRIC) NUT	X	X	X	X	X	X	X	X
23	446153	FEED LIFTING ROCK SHAFT COMPLETE	X	X	X	X	X	X	X	X
24	531665	FEED ROCK SHAFT COMPLETE	X	X	X	X	X	X	X	X

ELECTRICAL EQUIPMENT



PART LIST
ELECTRICAL EQUIPMENT

REF.	PART NBR	DESCRIPTION	2	2	2	2	2	2	2	2	2
			2	2	3	3	4	4	5	5	0
01	605600-001	LIGHT LEAD RETAINING SELF-LOCKING TY-RAP	X	X		X		X		X	
01	✓353411	LIGHT LEAD RETAINING CLIP		X		X		X		X	X
02	✓113504-451	LIGHT LEAD RETAINING CLIP MOUNTING SCREW		X		X		X		X	X
03		REFER TO CHARTS ON FOLLOWING PAGES	X	X	X	X	X	X	X	X	X
04	✓179908	LIGHT LEAD GROMMET	X	X	X	X	X	X	X	X	X
05	113455-001	LIGHT LEAD WIRE RETAINER MOUNTING SCREW	X	X	X	X	X	X	X	X	X
06	353247	LIGHT LEAD WIRE RETAINER	X	X	X	X	X	X	X	X	X
07	✓988076-001	LAMP (120V)	X	X	X	X	X	X	X	X	X
07	✓988076-003	LAMP (220V/250V)	X	X	X	X	X	X	X	X	X
07	988076-005	LAMP (250V)	X	X	X	X	X	X	X	X	X
08	✓354592-451	LIGHT SOCKET MOUNTING SCREW	X	X	X	X	X	X	X	X	X
09		REFER TO CHARTS ON FOLLOWING PAGES	X	X	X	X	X	X	X	X	X
10		REFER TO CHARTS ON FOLLOWING PAGES	X	X	X	X	X	X	X	X	X
11		REFER TO CHARTS ON FOLLOWING PAGES	X	X	X	X	X	X	X	X	X
12		REFER TO CHARTS ON FOLLOWING PAGES	X	X	X	X	X	X	X	X	X
13	✓179901	HEAT SHIELD (WITHOUT GRAPHICS)	X	X	X	X	X	X	X	X	X
13	✓179910-451	LIGHT SHIELD (WITH GRAPHICS) (FOR US/CANADA)	X	X	X	X	X	X	X	X	X
14	✓605087-001	HEAT SHIELD (FOR EUROPE)	X	X	X	X	X	X	X	X	X
15	354792-452	MOTOR MOUNTING PLATE SCREW	X	X	X	X	X	X	X	X	X
16	445765	MOTOR MOUNTING PLATE CLAMP WASHER	X	X	X	X	X	X	X	X	X
17	✓ 354657 -454	MOTOR MOUNTING PLATE CLAMP WASHER SCREW	X	X	X	X	X	X	X	X	X
18	✓113370-451	MOTOR MOUNTING PLATE SCREW (lower)	X	X	X	X	X	X	X	X	X
19	✓356803-901	MOTOR MOUNTING PLATE	X	X	X	X	X	X	X	X	X
20	✓196388-003	MOTOR BELT (V)	X	X	X	X	X	X	X	X	X
21		REFER TO CHARTS ON FOLLOWING PAGES	X	X	X	X	X	X	X	X	X
22		REFER TO CHARTS ON FOLLOWING PAGES	X	X	X	X	X	X	X	X	X
23	✓313470-452	MOTOR MOUNTING PLATE SCREW NUT	X	X	X	X	X	X	X	X	X
24	603907-001	MOTOR MODULE NUT	X	X	X	X	X	X	X	X	X
25	✓988176-001	MOTOR PULLEY	X	X	X	X	X	X	X	X	X
26		REFER TO CHARTS ON FOLLOWING PAGES	X	X	X	X	X	X	X	X	X
27	605600-004	TYE RAP	X	X	X	X	X	X	X	X	X
28	446424	MOTOR MODULE INSERT	X	X	X	X	X	X	X	X	X
29	531627	MOTOR MOUNTING PLATE SCREW BUSHING	X	X	X	X	X	X	X	X	X
30	356980	MOTOR BELT ADJUSTER	X	X	X	X	X	X	X	X	X

31 362237-901 Motor mounting plate spacer
 32 531110457 u 4 4 4 4 4 screw.
 33 113372457 MOTOR mounting plate screw (upper)

ELECTRICAL EQUIPMENT

		U.S CANADA	AUSTRALIA	SOUTH AFRICA & EUROPE	GREAT BRITAIN
REF.	1 SPEED UNSUPRESSED -----	(120V) -----	(250V) -----	(220V) -----	(240V) -----
03	LIGHT COMPLETE	----			
12	LIGHT SOCKET	605488-023			
21	MOTOR COMPLETE	362090-001			
22	SERIES MOTOR MODULE	988752-001			
26	COMMUTATOR END	362091-001			
10	CONTROLLER	979314-031			
09	SWITCH	988763-P01			
11	LIGHT RECEPT. HARNESS	988764-002			
	1 SPEED SUPRESSED -----				
03	LIGHT COMPLETE		605488-021	605488-021	605488-021
12	LIGHT SOCKET		----	----	----
21	MOTOR COMPLETE		362090-003	362090-002	362090-003
22	SERIES MOTOR MODULE		988752-003	988752-002	988752-003
26	COMMUTATOR END		362091-003	362091-002	362091-003
10	CONTROLLER		931314-028	931314-026	931314-027
09	SWITCH		988763-001	988763-P03	988763-001
11	LIGHT RECEPT. HARNESS		988768-002	988768-002	988768-002

ELECTRICAL EQUIPMENT

		ASIA & AFRICA & SOUTH AMERICA	ASIA & AFRICA & SOUTH AMERICA	AMEDO	AMEDO
REF.	1 SPEED UNSURPRESSED	FLAT BLADE (120V)	FLAT BLADE (220V)	ROUND PIN (220V)	ROUND PIN (120V)
-----	-----	-----	-----	-----	-----
03	LIGHT COMPLETE	----	----	----	----
12	LIGHT SOCKET	362001-007	362001-007	362001-007	362001-007
21	MOTOR COMPLETE	362090-004	362090-005	362090-008	362090-007
22	SERIES MOTOR MODULE	988752-P03	988752-004	988752-P05	988752-P04
26	COMMUTATOR END	632091-004	632091-005	632091-008	632091-007
10	CONTROLLER	979314-023	979314-024	979314-022	979314-021
09	SWITCH	988763-001	988763-001	988763-001	988763-001
11	LIGHT RECEPT. HARNESS	988764-003	988764-003	988764-003	988764-003
	1 SPEED SURPRESSED				

03	LIGHT COMPLETE				
12	LIGHT SOCKET				
21	MOTOR COMPLETE				
22	SERIES MOTOR MODULE				
26	COMMUTATOR END				
10	CONTROLLER				
09	SWITCH				
11	LIGHT RECEPT. HARNESS				

ELECTRICAL EQUIPMENT

		ASIA & AFRICA & SOUTH AMERICA	ASIA & AFRICA & SOUTH AMERICA	AMEDO	AMEDO
REF.	1 SPEED UNSURPRESSED	ROUND PIN (220V)	ROUND PIN (120V)	ROUND PIN (220V)	(120V)
	-----	-----	-----	-----	-----
03	LIGHT COMPLETE	----	----	----	----
12	LIGHT SOCKET	362001-007	362001-007	362001-007	362001-007
21	MOTOR COMPLETE	362090-005	362090-004	362090-008	362090-007
22	SERIES MOTOR MODULE	988752-004	988752-P03	988752-P05	988752-P03
26	COMMUTATOR END	362091-005	362091-004	362091-008	362091-007
10	CONTROLLER	979314-022	979314-021	979314-024	979314-023
09	SWITCH	988763-001	988763-001	988763-001	988763-001
11	LIGHT RECEPT. HARNESS	988764-003	988764-003	988764-003	988764-003
	1 SPEED SURPRESSED				

03	LIGHT COMPLETE				
12	LIGHT SOCKET				
21	MOTOR COMPLETE				
22	SERIES MOTOR MODULE				
26	COMMUTATOR END				
10	CONTROLLER				
09	SWITCH				
11	LIGHT RECEPT. HARNESS				