

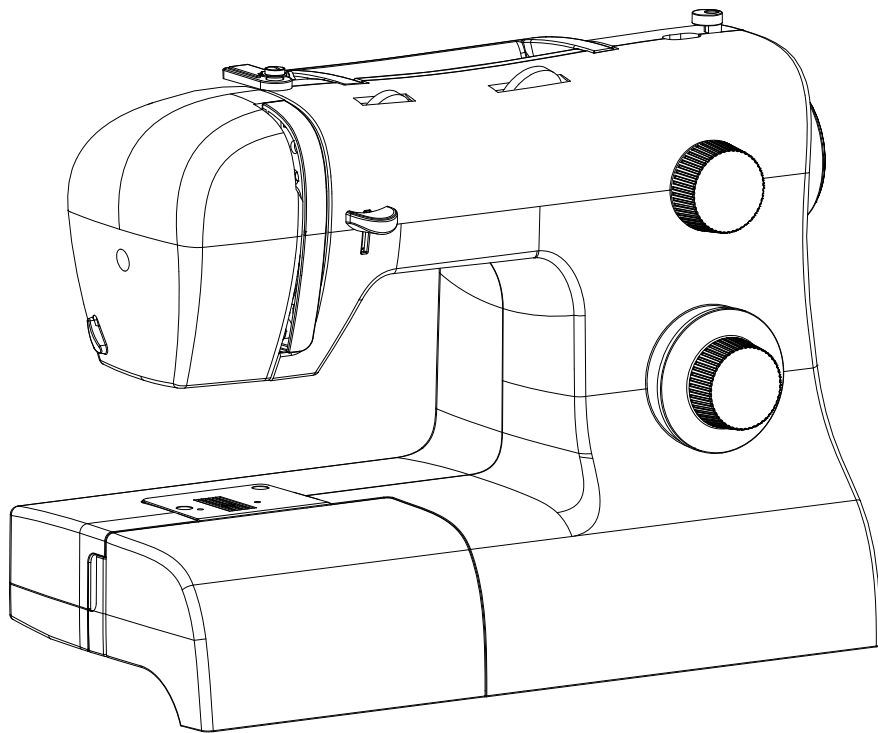


SINGER®

2273

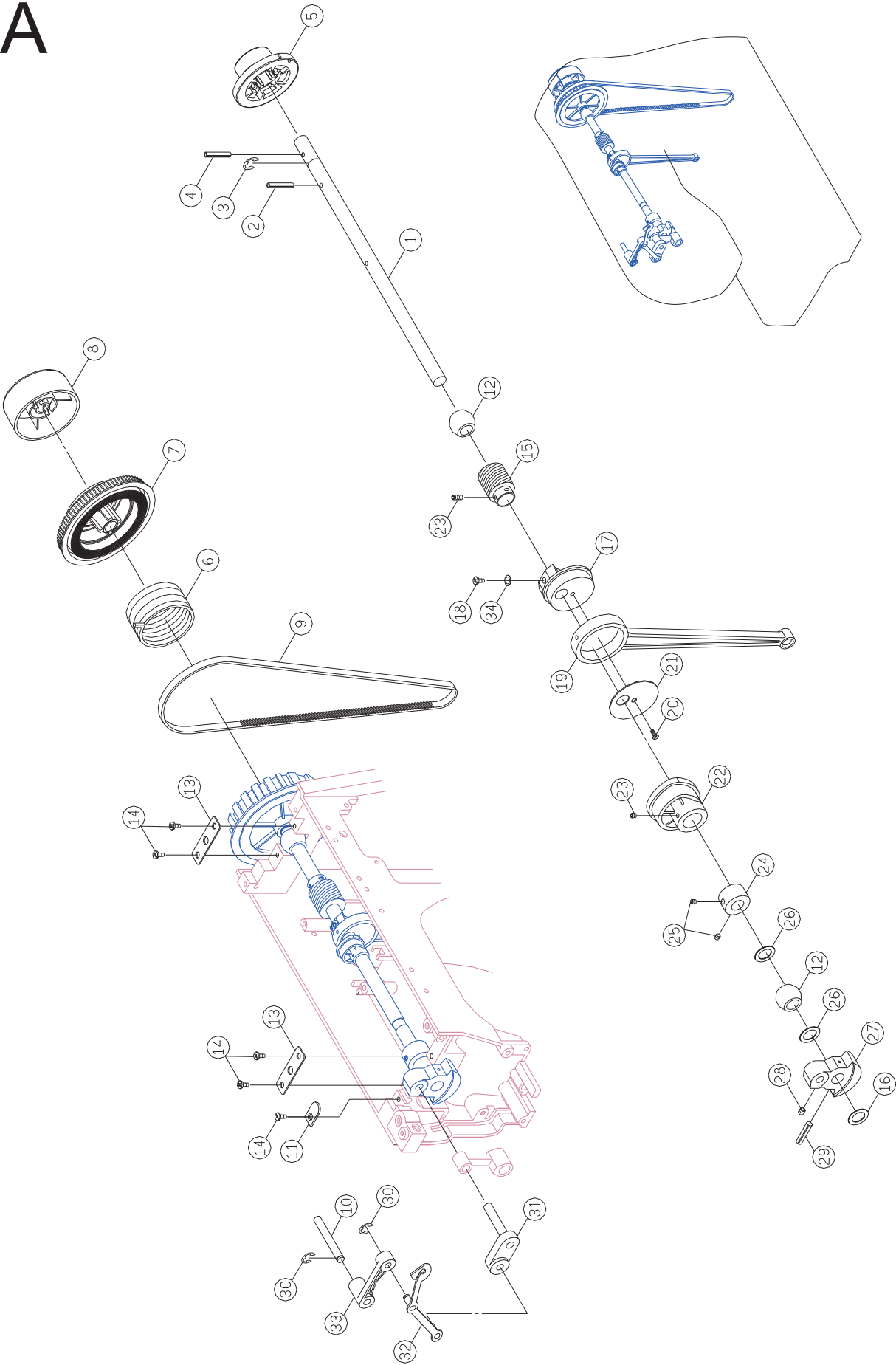
2277

2282



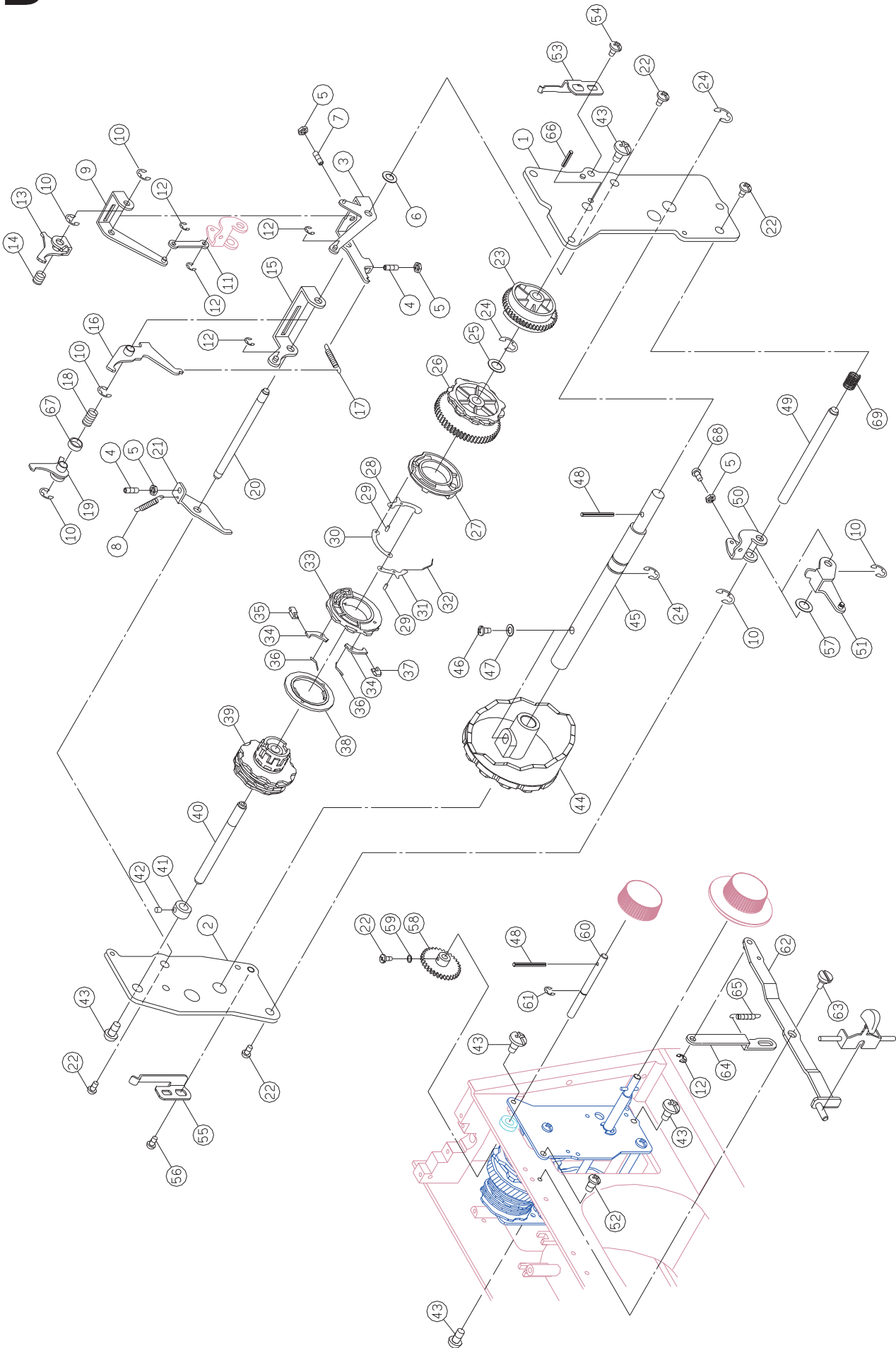
Liste de pièces Lista de Piezas Parts List

A



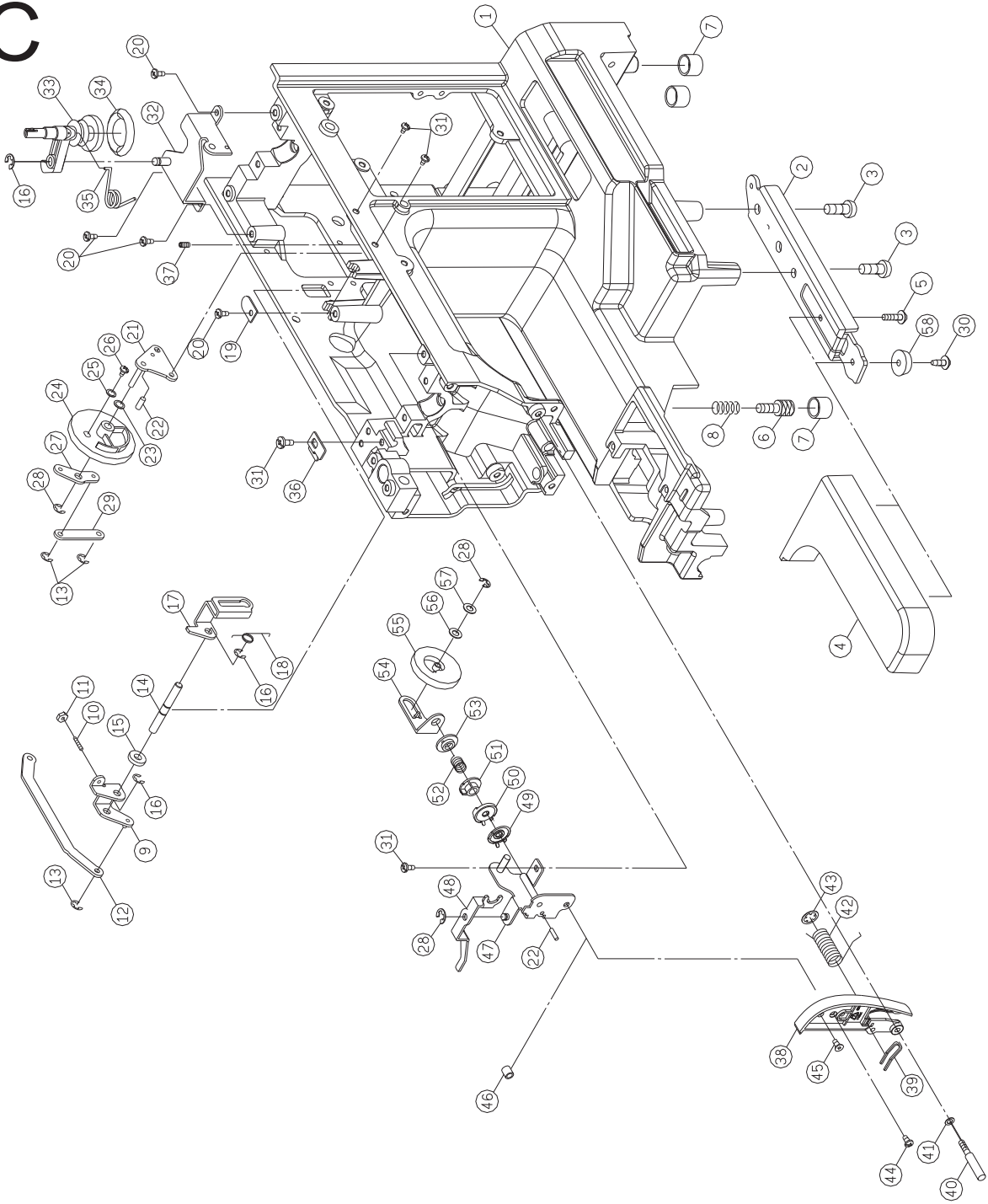
| Pos | Part No. | Description |
|-----|----------------|---------------------------------------|
| 1 | | Arm shaft |
| 2 | 270 003043028 | Spring pin 3×28□ |
| 3 | 416542901 | E-Ring□ETW-8□ |
| 4 | 270 003043030 | Spring pin□□3×30□ |
| 5 | 416307201 | Arm shaft collar |
| 6 | 270 D5A0573003 | Arm shaft clutch annulus spring |
| 7 | 270 D5A0563000 | Arm shaft drive belt pulley |
| 8 | 270 K6B0273210 | Hand wheel |
| 9 | 270 007158XXL5 | Motor drive belt |
| 10 | 270 V60223003 | Thread take up lever supporter shaft |
| 11 | 416152201 | Set washer |
| 12 | 416156301 | Arm shaft busing |
| 13 | 416161701 | Arm shaft bushing holder plate |
| 14 | 416121501 | Set screw□M4×8A□ |
| 15 | 416542601 | Arm shaft worm |
| 16 | 270 0044000020 | Endure attrition washer(6.2*12*0.25) |
| 17 | 270 V60053000 | Crank connecting rod cam |
| 18 | 270 004107063 | Set screw□11/64×40×12□ |
| 19 | 416161301 | Crank connecting rod |
| 20 | 416121201 | Set screw (M4x6B) |
| 21 | 416237401 | Crank connecting rod cover |
| 22 | 270 G4A0533000 | Feed cam |
| 23 | 416122401 | Set screw□M4×4□ |
| 24 | 416156501 | Arm shaft collar |
| 25 | 270 004250203 | Set screw□M5×5□ |
| 26 | 270 0044000080 | Endure attrition washer (10.2×15×0.5) |
| 27 | 270 V61473000 | Arm shaft balance |
| 28 | 270 004240223 | Set screw□M4×6□ |
| 29 | 270 003043524 | Arm shaft balance pin (□3.5×24) |
| 30 | 416116101 | E-Ring□ETW-4□ |
| 31 | 416158001 | Arm shaft balance pin |
| 32 | 270 E1A2513001 | Thread take up lever |
| 33 | 416157901 | Thread take up lever supporter |
| 34 | 270 004600026 | Washer(4.2*7.2*1.2) |

B



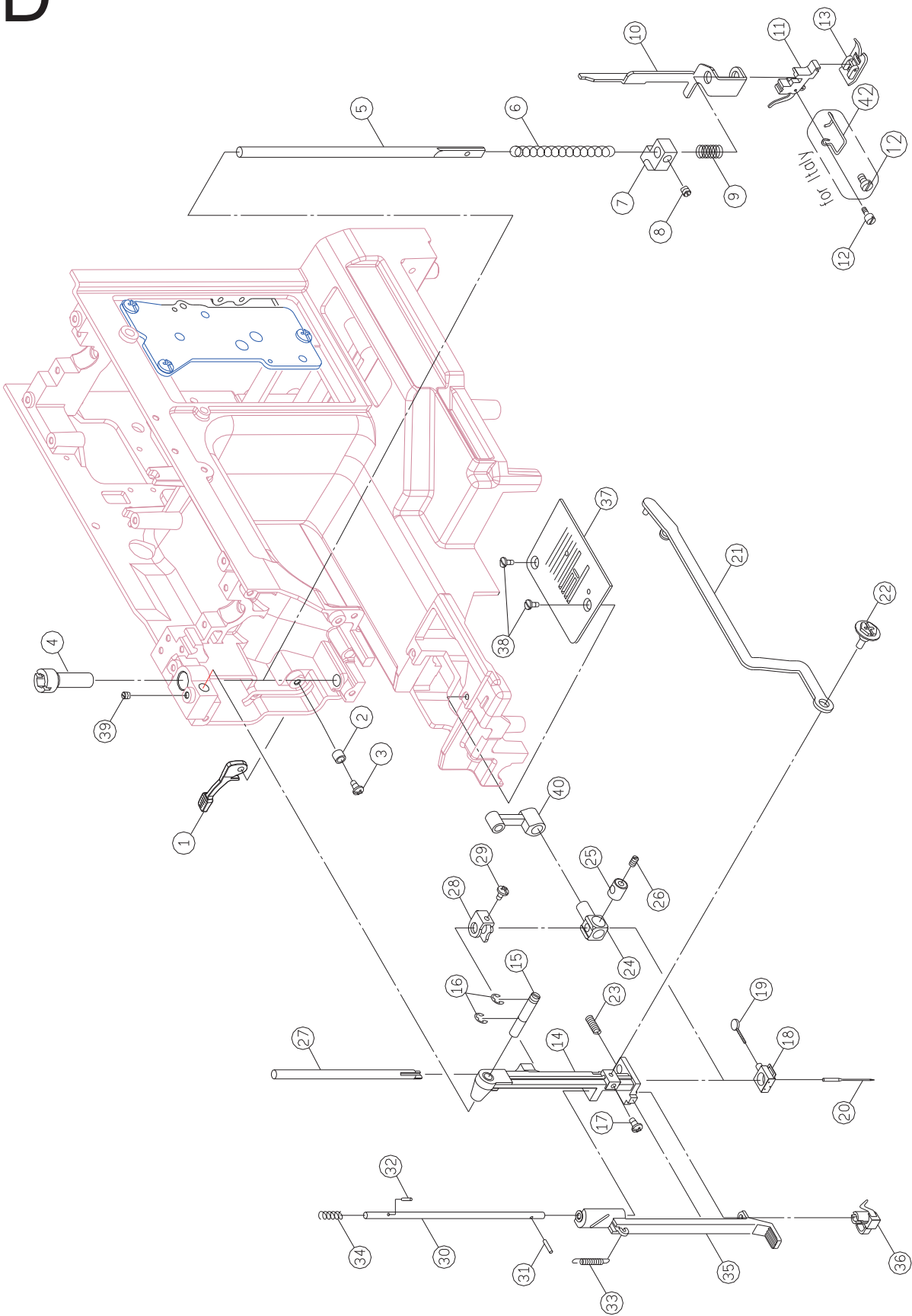
| Pos | Part No. | Description |
|-----|----------------|-------------------------------------|
| 1 | 416596801 | Pattern cam contact plate (front) |
| 2 | 416543701 | Pattern cam contact plate (back) |
| 3 | 416545601 | BH adjusting crank |
| 4 | 416185501 | Set screw (M4×0.7 L9) |
| 5 | 416126801 | Nut □ALN-4 □ |
| 6 | 416604901 | Washer |
| 7 | 416122701 | Set screw (M4×0.7 L12) |
| 8 | 416545001 | Zig zag release plate spring |
| 9 | 416605001 | SS cam contact supporter |
| 10 | 270 003010056 | E-Ring □ETW-5 □ |
| 11 | 416605101 | Feed rock shaft |
| 12 | 416116001 | E-Ring (ETW-3) |
| 13 | 416597501 | SS cam contact |
| 14 | 416166401 | SS cam contact spring |
| 15 | 416604801 | Zig zag cam contact supporter |
| 16 | 416545201 | BH Feed crank |
| 17 | 416187301 | BH Feed crank spring |
| 18 | 416517801 | Zig zag cam contact spring |
| 19 | 416545501 | Zig zag cam contact |
| 20 | 416598001 | Zig zag cam contact supporter shaft |
| 21 | 416544901 | Zig zag release plate |
| 22 | 416119701 | Set screw |
| 23 | 270 K6B0033000 | Feed regulator cam |
| 24 | 416116401 | E-Ring □ETW-6 □ |
| 25 | 416228101 | Washer |
| 26 | 416427901 | SS cam |
| 27 | 416543901 | BH feed regulator cam |
| 28 | 416544001 | BH clutch contact A |
| 29 | 416229201 | BH clutch shaft |
| 30 | 416544101 | BH clutch lever |
| 31 | 416544201 | BH clutch contact B |
| 32 | 416229601 | BH clutch spring plate |
| 33 | 416544301 | BH cam |
| 34 | 416544401 | BH contact |
| 35 | 416544501 | BH slide block R |
| 36 | 416544601 | BH contact spring plate |
| 37 | 416544701 | BH slide block L |
| 38 | 416544801 | Straight stitch cam |
| 39 | 270 K6A0263000 | Pattern cam |
| 40 | 416543801 | Pattern cam shaft |
| 41 | 416527701 | Pattern cam shaft collar |
| 42 | 416122401 | Set screw |
| 43 | 416121501 | Set screw |
| 44 | 416546201 | Pattern selector cam |
| 45 | 416716001 | Pattern selector cam shaft |
| 46 | 416185201 | Set screw (M3×10) |
| 47 | 416185901 | Washer |
| 48 | 270 003042516 | Spring pin (ø2.5×16) |
| 49 | 416605401 | Feed crank shaft |
| 50 | 416605501 | Feed adjusting crank |
| 51 | 416605601 | Crank shaft |
| 52 | 416121301 | Set screw (M4×8) |
| 53 | 416546501 | Feed regulator fix plate |
| 54 | 416524501 | Set screw (M4×4) |
| 55 | 416195301 | Pattern fix spring plate |
| 56 | 416226601 | Set screw (M4×5) |
| 57 | 270 004300113 | Washer |
| 58 | 416195501 | Feed regulator gear |
| 59 | 416186101 | Washer (3.2×8×0.8) |
| 60 | 416716101 | Feed regulator dial shaft |
| 61 | 416116301 | E-Ring (ETW-5) |
| 62 | 416716201 | Reverse lever |
| 63 | 270 004240883 | Set screw |
| 64 | 416551401 | Reverse rod |
| 65 | 416155001 | Auto threaded lever spring |
| 66 | 416547101 | Spring pin |
| 67 | 416545301 | Spring pedestal |
| 68 | 416121101 | Set screw (M4×10) |
| 69 | 270 H10723003 | Tension lever lifter spring |
| #1 | 270 H11935000 | Pattern cam shaft collar complete |
| #2 | K6A0205000 | BH cam complete |

C

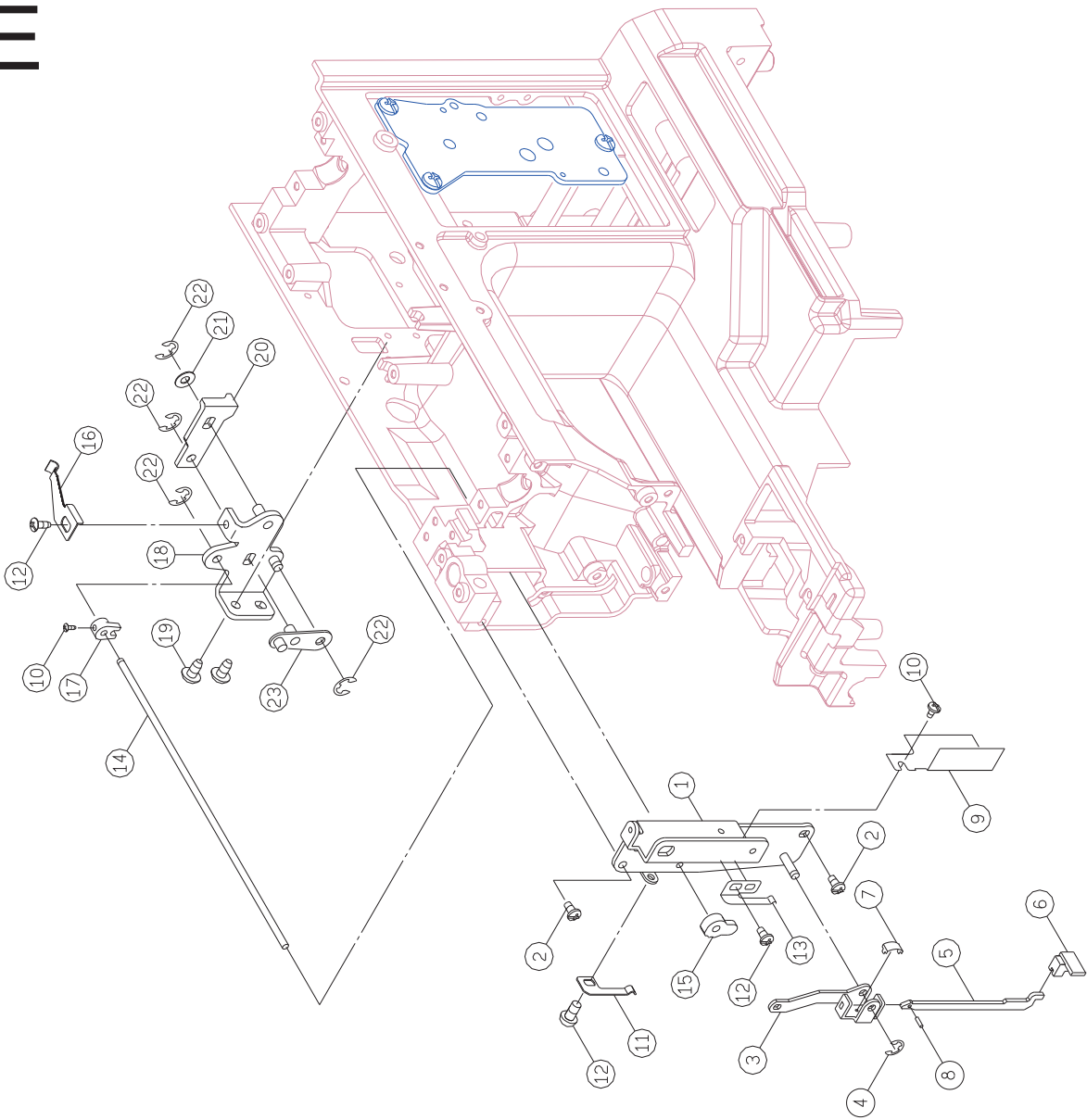


| Pos | Part No. | Description |
|-----|----------------|-------------------------------------|
| 1 | | Arm |
| 2 | 416596401 | Free arm foot |
| 3 | 416185701 | Set screw (M6×10 B) |
| 4 | 270 K6B0483210 | Free arm foot base |
| 5 | 270 004230216 | Set screw □M3×8.5□ |
| 6 | 416154601 | Base plate adjustment screw |
| 7 | 270 K6A0063000 | Free arm base cushion rubber |
| 8 | 416154401 | Spring |
| 9 | 416639901 | Zig zag regulator crank |
| 10 | 416185501 | Set screw |
| 11 | 416126801 | Nut |
| 12 | 416640001 | Rod |
| 13 | 416116001 | E-ring |
| 14 | 416639501 | Zig zag cam contact supporter shaft |
| 15 | 270 004300493 | Washer (□14*□6.2*3) |
| 16 | 416116301 | E-Ring (ETW-5) |
| 17 | 416639601 | Zig zag width regulating cam box |
| 18 | 416639701 | Zig zag width spring |
| 19 | 416152201 | Set washer |
| 20 | 416121501 | Set screw |
| 21 | 416602701 | Zig zag width dial plate |
| 22 | 416117501 | Hand wheel bushing pin (3*10) |
| 23 | 416186901 | Washer |
| 24 | 416704501 | Zig zag width dial 2273 |
| 25 | 416185901 | Washer (4.2*10*0.5) |
| 26 | 416121101 | Set screw (M4*10) |
| 27 | 416602901 | Zig zag width crank |
| 28 | 416116101 | E-ring |
| 29 | 416603001 | Zig zag width crank rod |
| 30 | 416716601 | Set screw □M3×12□ |
| 31 | 416121201 | Set screw |
| 32 | 416640201 | Bobbin winder frame plate |
| 33 | 270 K6A0555000 | Bobbin winder crank complete |
| 34 | 416149201 | Bobbin winder rubber pulley |
| 35 | 270 K6A0573003 | Bobbin winder crank spring |
| 36 | 416161901 | Tension lever regulating plate |
| 37 | 270 004240223 | Set screw (M4*6) |
| 38 | 270 K5BA003210 | Dial tension supporter plate cover |
| 39 | 416198701 | Thread guide |
| 40 | 270 004241412 | Set screw |
| 41 | 416124101 | Washer |
| 42 | 270 V60303000 | Dial tension spring |
| 43 | 416116701 | Thread guide spring washer (C-5) |
| 44 | 416121701 | Set screw (M4*15) |
| 45 | 416121901 | Set screw (M4*6) |
| 46 | 416151701 | Dial tension guide spring tube |
| 47 | 270 K6B0183002 | Dial tension supporter plate |
| 48 | 270 K6B0573003 | Dial tension waft plate |
| 49 | 416153601 | Dial tension disc (1) |
| 50 | 416146301 | Dial tension disc |
| 51 | 416412001 | Dial tension spring regulator |
| 52 | 416155901 | Dial tension spring |
| 53 | 416153801 | Dial tension regulator |
| 54 | 270 K6B0193006 | Dial tension spring plate |
| 55 | 416703901 | Dial tension knob 2273 |
| 56 | 416126001 | Washer (WW-5) |
| 57 | 270 004300713 | Washer (5.2*10*0.5) |
| 58 | 270 F31103000 | Free arm vase cushion rubber |

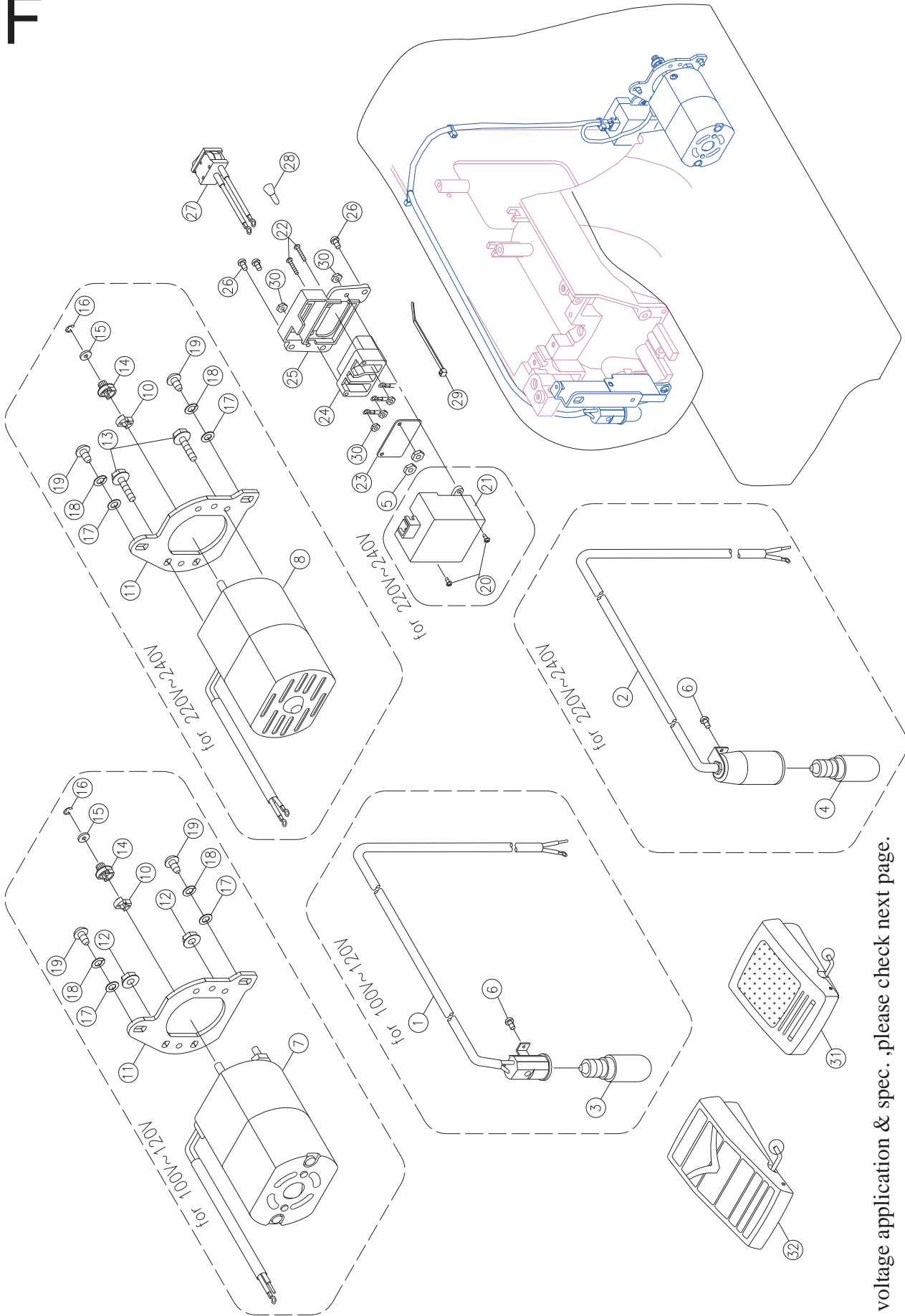
D



| Pos | Part No. | Description |
|-----|---------------|---------------------------------------|
| 1 | 416466901 | Presser bar lifter lever |
| 2 | 416162101 | Presser bar lifter lever screw washer |
| 3 | 416121101 | Set screw |
| 4 | 270 Z11993211 | Presser bar regulating screw |
| 5 | 270 V70153002 | Presser bar |
| 6 | 416173501 | Presser bar spring |
| 7 | 416151501 | Presser bar bracket |
| 8 | 416123801 | Set screw □M6×5□ |
| 9 | 270 H10723003 | Tension lever lifter spring |
| 10 | 270 V60153003 | Tension lever lifter |
| 11 | 416128201 | Shank complete |
| 12 | 416118401 | Set screw (9/64×40×7.5) |
| 13 | 416128401 | Zig zag presser foot complete |
| 14 | 270 V61753002 | Needle bar supporter |
| 15 | 270 R12723003 | Needle bar supporter pin |
| 16 | 270 003010056 | E-Ring □ETW-5□ |
| 17 | 270 004106202 | Set screw □9/64×40×6□ |
| 18 | 416245301 | Needle clamp |
| 19 | 416245301 | Needle clamp screw |
| 20 | 270 006176008 | Needle (for Singer) |
| 21 | 270 V60175003 | Needle bar driving rod |
| 22 | 416408701 | Needle bar driving rod pin |
| 23 | 416152701 | Needle bar supporter spring |
| 24 | 416150801 | Needle bar bracket (1) |
| 25 | 416150801 | Needle bar bracket (2) |
| 26 | 416122401 | Set screw □M4×0.7×4 C□ |
| 27 | 416173601 | Needle bar |
| 28 | 416154901 | Auto threader stopper |
| 29 | 416119201 | Set screw (M3×6) |
| 30 | 270 V61843002 | Auto threader shaft |
| 31 | 270 M70043000 | shaft pin (□2×6) |
| 32 | 416117201 | Auto threader shaft pin (□2×14) |
| 33 | 416155001 | Auto threader lever spring |
| 34 | 416157401 | Auto threader shaft spring |
| 35 | 270 R10083000 | Auto thread lever |
| 36 | 416145801 | Auto threader |
| 37 | 416171501 | Needle plate |
| 38 | 416122901 | Set screw (M4×6) |
| 39 | 416121001 | Set screw |
| 40 | 416245501 | Needle bar crank rod |
| #1 | 416150801 | Needle bar bracket complete |
| #2 | 416245301 | Needle clamp complete |



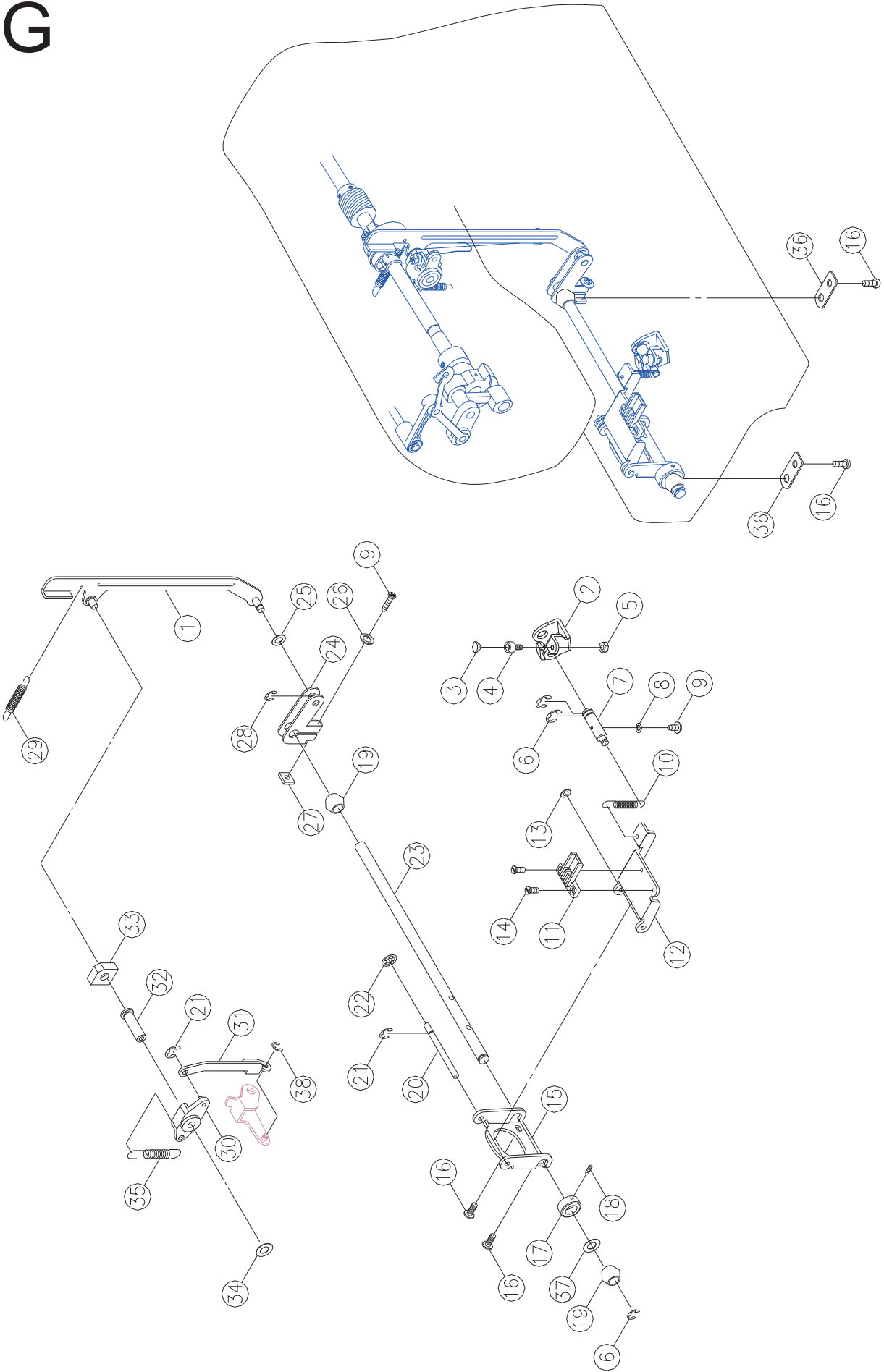
| Pos | Part No. | Description |
|-----|----------------|-----------------------|
| 1 | 416638801 | BH lever plate |
| 2 | 416121201 | Set screw □M4×6 B□ |
| 3 | 416547901 | BH lever crank |
| 4 | 270 003010033 | E-Ring □ETW-3□ |
| 5 | 416495301 | BH lever |
| 6 | 416413301 | BH lever button |
| 7 | 416548201 | BH lever spring plate |
| 8 | 270 003041605 | PIN (□1.6X5X0.3) |
| 9 | 416232501 | Shield |
| 10 | 270 004230056 | Set screw |
| 11 | 270 E1A1523003 | BH positioned plate |
| 12 | 416226601 | Set screw |
| 13 | 416232001 | BH positioned plate |
| 14 | 416717401 | BH select crank shaft |
| 15 | 416717501 | BH movement crank |
| 16 | 416547701 | BH cam plate |
| 17 | 416547801 | BH select crank |
| 18 | 416547401 | BH selector plate |
| 19 | 416121501 | Set screw (M4*8A) |
| 20 | 416600901 | BH slide plate |
| 21 | 416185901 | Washer □4.2×9×0.5□ |
| 22 | 416116001 | E-Ring □ETW-3□ |
| 23 | 416547601 | BH selector plate |



All voltage application & spec. ,please check next page.

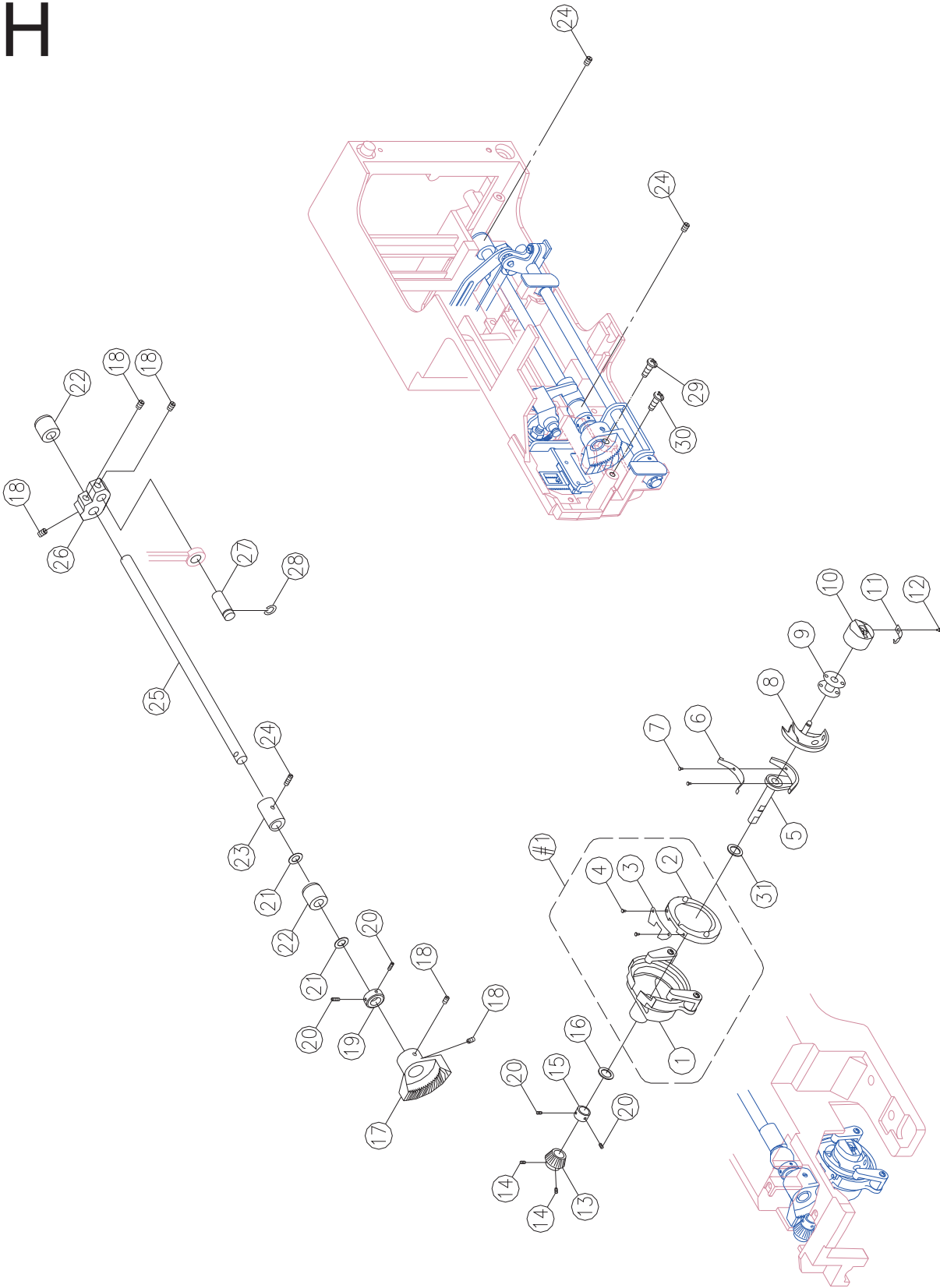
| Pos | Part No. | Description |
|-----|----------------|--|
| 1 | 416428401 | Lamp holder complete (only for 120V) |
| 2 | 416428501 | Lamp holder complete (only for 220V-240V) |
| 3 | 416126901 | Lamp (120V 10W) |
| 4 | 416127001 | Lamp (240V 15W E-12) |
| 5 | 416302901 | Nut (M3 t=2.3) |
| 6 | 270 004230056 | Set screw (M3*5 B) |
| 7 | 270 001351109 | Motor complete HF-07150 for 110~120V / US |
| 7 | 416717601 | Motor complete HF-07150 for 110V / TAIWAN |
| 8 | 416430001 | Motor complete HF-07250 for 230V / E.U.R |
| 8 | 270 001V881005 | Motor complete HF-07250 for 240V /AUS |
| 8 | 270 001V881001 | Motor complete HF-07250 FOR 220V /KOREA |
| 8 | 270 001V881003 | Motor complete HF-07250 FOR 240V /U.K |
| 9 | 416114501 | Belt wheel complete |
| 10 | 416129401 | Cushion rubber |
| 11 | 416521415 | Motor bracket |
| 12 | 270 004840131 | Nut (M4 t=5.5) |
| 13 | 416521501 | Set screw (M4*10.2) |
| 14 | 416114601 | Belt wheel |
| 15 | 416114001 | Motor feed regulator collar |
| 16 | 416116001 | E-Ring (ETW-3) |
| 17 | 416124301 | Washer (5.4*10*0.9) |
| 18 | 416126201 | Spring washer (5.2*9*1) |
| 19 | 416224801 | Set screw (M5*12) |
| 20 | 416119701 | Set screw (M3*8 B) |
| 21 | 416114101 | Receptacle holder cover |
| 22 | 416184901 | Set screw (M3*20) |
| 23 | 416183601 | Concert insulation plate |
| 24 | 416184701 | Receptacle |
| 25 | 416717701 | Receptacle holder |
| 26 | 416121301 | Set screw (M4*8) |
| 27 | 416115001 | Switch ass'y |
| 28 | 416133001 | End termed |
| 29 | 416113901 | Cord clip |
| 30 | 416528701 | Nut (M3*4) |
| 31 | 416183101 | Foot controller (KD-2902) for 230V / E.U.R |
| 31 | 416183701 | Foot controller (KD-2902) for 240V /AUS |
| 31 | 416717801 | Foot controller (KD-2902) for 230V / ARGENTINA |
| 31 | 416112701 | Foot controller (KD-2902) for 240V / U.K |
| 31 | 270 002V881004 | Foot controller (KD-2902) for 220V / KOREA |
| 32 | 416183301 | Foot controller (KD-1902) for 100~120V / US |
| 32 | 416640901 | Foot controller (KD-1902) for 100V / BRAZIL |

G

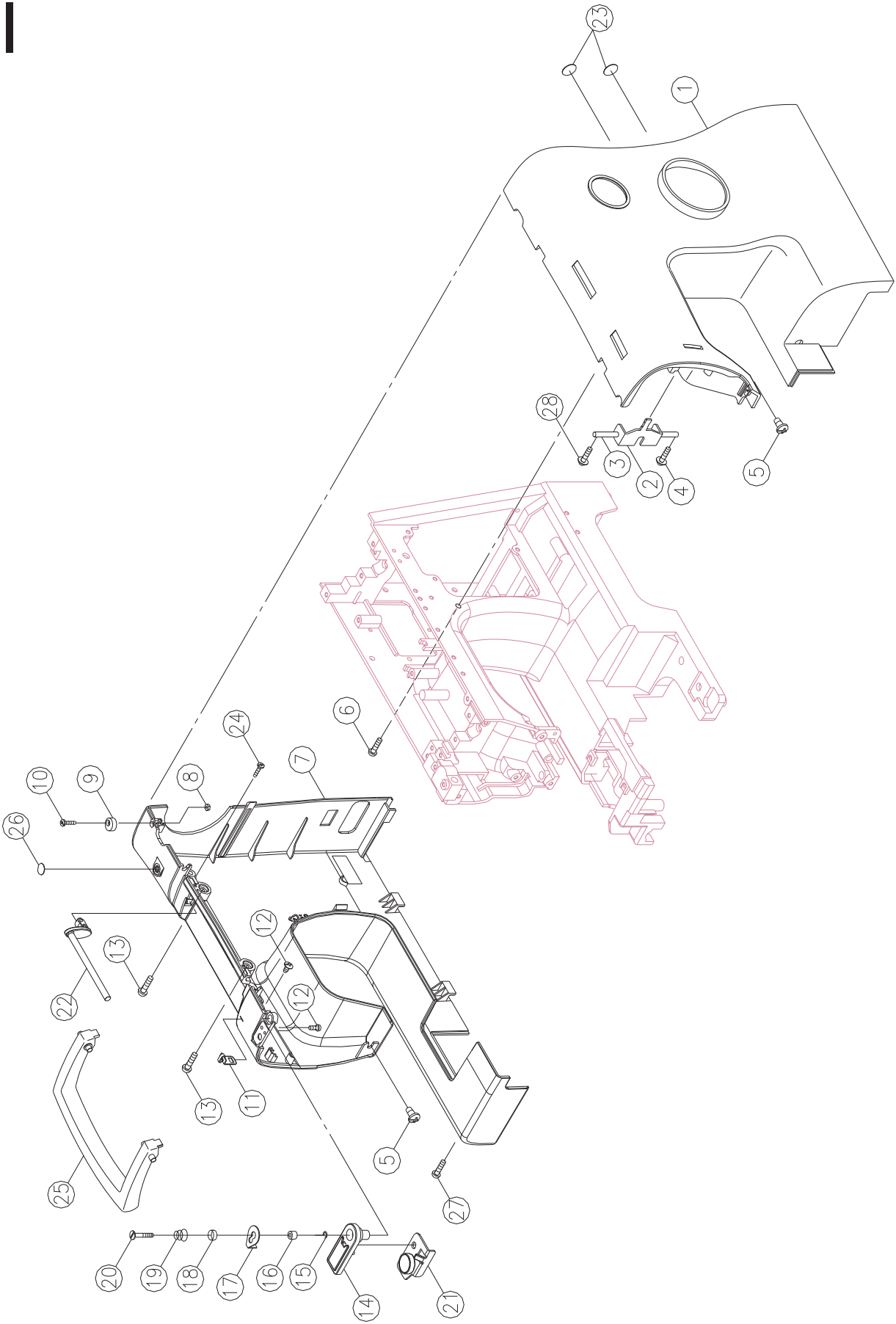


| Pos | Part No. | Description |
|-----|---------------|--|
| 1 | 416163501 | Fork rod |
| 2 | 416164801 | Feed lifting rock crank |
| 3 | 416154301 | Sew screw knob |
| 4 | 416123701 | Sew screw |
| 5 | 416126501 | Nut (M4 t=3) |
| 6 | 416116401 | E-Ring□ETW-6□ |
| 7 | 416164901 | Feed lifting rock shaft |
| 8 | 416126101 | Spring washer (4.2×7.2×1.2) |
| 9 | 416121701 | Set screw (M4x15B) |
| 10 | 270 V60533003 | Feed dog frame spring |
| 11 | 416171601 | Feed dog |
| 12 | 416164101 | Feed dog frame |
| 13 | 416124101 | Washer□4.2×8×0.8□ |
| 14 | 270 004230056 | Set screw (M3x5B) |
| 15 | 270 V60493003 | Feed rock frame |
| 16 | 416121501 | Set screw□M4×8A□ |
| 17 | 416527701 | Pattern cam shaft collar |
| 18 | 416122401 | Set screw□M4×4□ |
| 19 | 270 V60343000 | Lower shaft bushing |
| 20 | 270 V60513003 | Feed dog frame shaft |
| 21 | 416116001 | E-Ring□ETW-3) |
| 22 | 270 003090043 | Nut (SPN-4) |
| 23 | 270 V60483000 | Feed rock shaft |
| 24 | 270 V60553003 | Feed rock crank |
| 25 | 270 004400180 | Endure attrition washer (5.7*10.5*0.5) |
| 26 | 270 004300093 | Washer□4×8×0.5□ |
| 27 | 270 004840073 | Feed rock crank Nut (M4) |
| 28 | 416116101 | E-Ring□ETW-4□ |
| 29 | 270 V60463003 | Fork rod spring |
| 30 | 416640501 | Feed regulating |
| 31 | 416640601 | Feed rod |
| 32 | 416640401 | Feed regulating shaft |
| 33 | 270 V11533000 | Feed regulating block |
| 34 | 270 004400450 | Endure attrition washer (5.5*12*0.25) |
| 35 | 416640701 | Feed regulating spring |
| 36 | 270 V60563003 | Bushing holder plate |
| 37 | 270 004400410 | Endure attrition washer (8.2*12*0.25) |
| 38 | 270 003010046 | E-Ring□ETW-4□ |

H

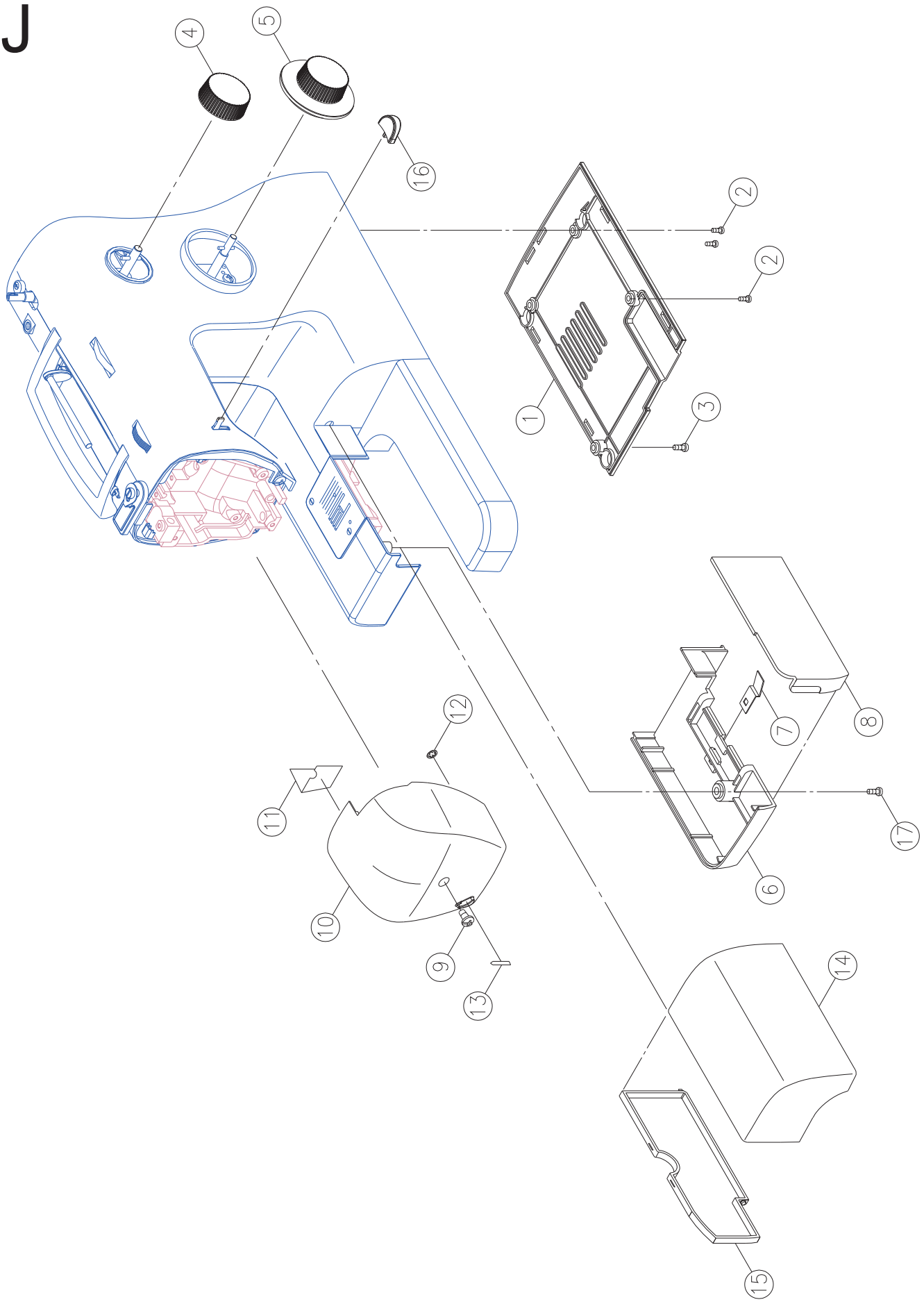


| Pos | Part No. | Description |
|-----|----------------|---------------------------------------|
| 1 | 270 V10995000 | Open shuttle race |
| 2 | 416158901 | Shuttle hook holder |
| 3 | 270 V10995000 | Shuttle hook holder spring |
| 4 | 416153001 | Shuttle hook holder spring screw |
| 5 | 270 K81125000 | Shuttle driver |
| 6 | 270 K81125000 | Shuttle driver spring |
| 7 | 416224301 | Shuttle driver spring screw |
| 8 | 416392101 | Shuttle hook (4.6mm) |
| 9 | 270 006084009 | Bobbin |
| 10 | 416153501 | Bobbin case |
| 11 | 416152501 | Bobbin case spring |
| 12 | 416152601 | Bobbin case spring set screw |
| 13 | 270 G4A1583000 | Shuttle driver shaft gear |
| 14 | 270 004107293 | Set screw (11/64×40×4) |
| 15 | 416520901 | Shuttle driver shaft collar |
| 16 | 270 004400210 | Endure attrition washer (8.6x12x0.5) |
| 17 | 270 G4A1573000 | Lower shaft gear |
| 18 | 270 004250203 | Set screw (M5*5) |
| 19 | 416520801 | Lower shaft collar |
| 20 | 416122401 | Set screw□M4×4□ |
| 21 | 270 004400410 | Endure attrition washer (8.2×12×0.25) |
| 22 | 416141701 | Lower shaft bushing |
| 23 | 270 V6E1123000 | Feed lifting rock cam |
| 24 | 270 004240223 | Set screw□M4×6□ |
| 25 | 270 V620223000 | Lower shaft |
| 26 | 270 V60363000 | Crank connecting rod crank |
| 27 | 270 V10833003 | Crank connecting rod crank pin |
| 28 | 416116301 | E-Ring□ETW-5□ |
| 29 | 270 004250151 | Set screw(M5*10 B) |
| 30 | 416121101 | Set screw(M4*10B) |
| 31 | 270 004400800 | Endure attrition washer (7.6×12×0.13) |
| #1 | 270 V10995000 | Open shuttle race complete |



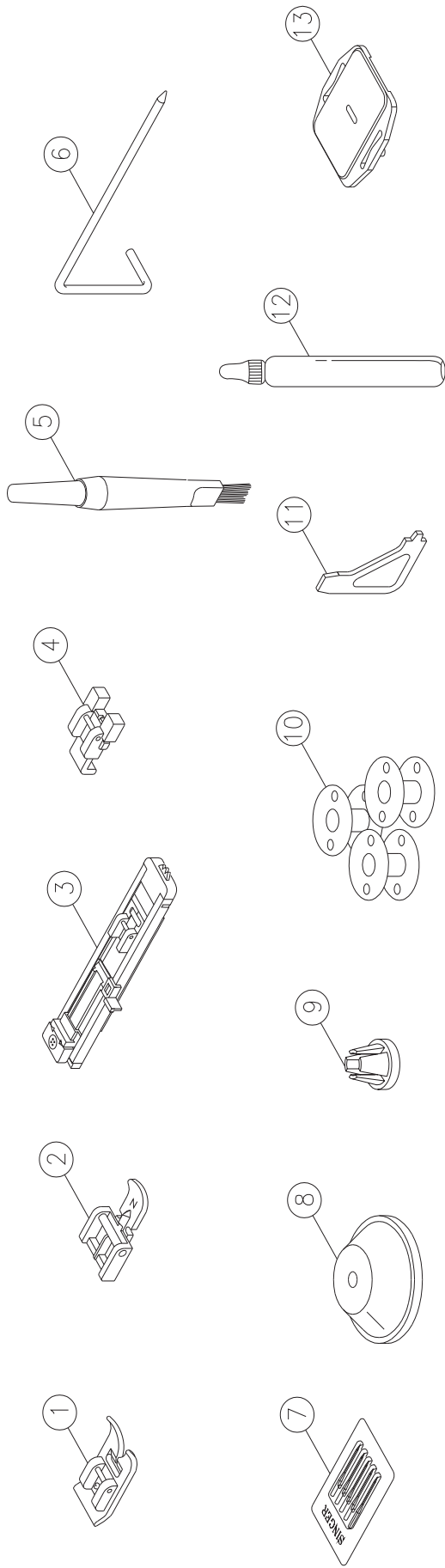
| Pos | Part No. | Description |
|-----|----------------|--------------------------------------|
| 1 | 270 K5BC003210 | Front cover 2273-2277-2282 |
| 2 | 416718001 | Reverse Dial Support Plate |
| 3 | 270 K6B0343001 | Reverse Dial Support Shaft |
| 4 | 416718201 | Set screw |
| 5 | 416121501 | Set screw |
| 6 | 270 004240186 | Set screw |
| 7 | 270 K5BB003210 | Back cover |
| 8 | 416126301 | Nut |
| 9 | 270 K6B0393000 | Bobbin winder |
| 10 | 416174001 | Set screw |
| 11 | 270 P3A1663001 | Thread guide |
| 12 | 270 004230216 | Set screw |
| 13 | 416122201 | Set screw |
| 14 | 270 P3A1483210 | Bobbin winder thread guide disc |
| 15 | 416116001 | E-Ring□ETW-3□ |
| 16 | 270 P3A1523006 | Spacer |
| 17 | 270 P3A1513001 | Bobbin winder thread guide |
| 18 | 270 P3A1463001 | Bobbin winder spring disc |
| 19 | 270 P3A1533001 | Bobbin winder thread guide spring |
| 20 | 416199401 | Bobbin winder thread guide adjusting |
| 21 | 416718301 | Thread guide complete |
| 22 | 270 K6B0383210 | Spool pin base |
| 23 | 270 V61503210 | Front cover plate (1) |
| 24 | 416718401 | Set screw |
| 25 | 416429101 | Handle |
| 26 | 270 V410123210 | Plate |
| 27 | 416121601 | Set screw |
| 28 | 270 004230796 | Set screw |

J

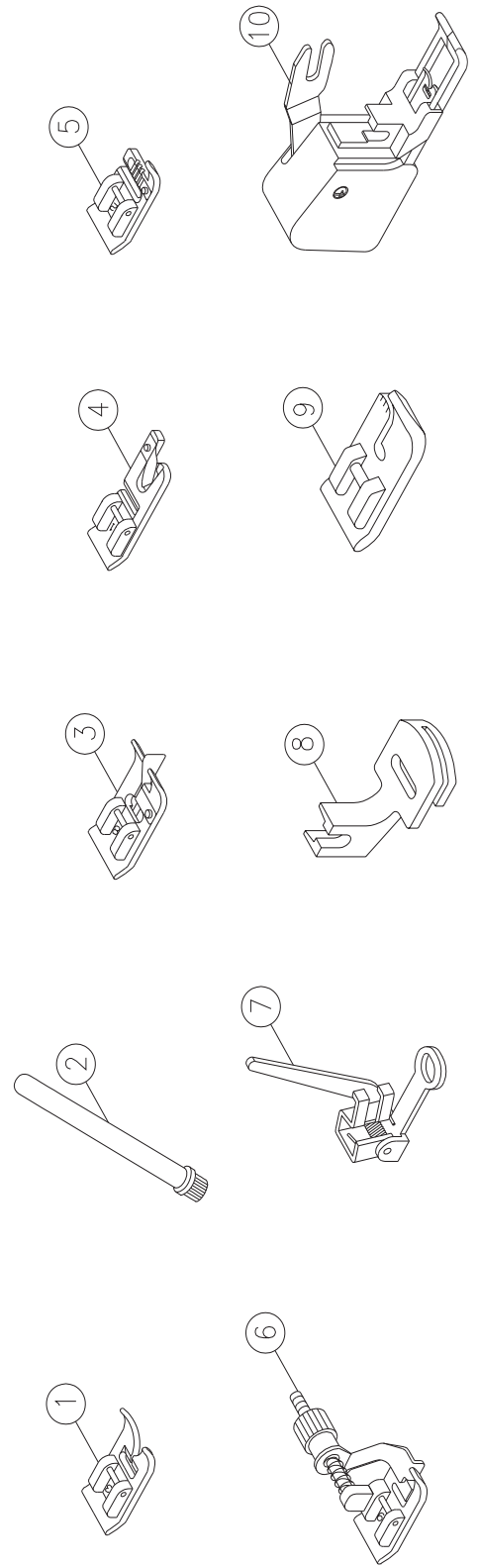


| Pos | Part No. | Description |
|-----|----------------|------------------------------|
| 1 | 270 K6B0493210 | Plate |
| 2 | 416121501 | Set screw |
| 3 | 416121601 | Set screw |
| 4 | 270 K5BR003210 | Feed regulator dial 2273 |
| 5 | 270 K5BD003210 | Selector dial 2273 |
| 6 | 270 K6B0463210 | Bed cover |
| 7 | 270 R12453002 | Hook cover spring |
| 8 | 270 K6B0473210 | Hook cover |
| 9 | 416185401 | Set screw (M4*10A) |
| 10 | 270 K5BF003210 | Face plate |
| 11 | 270 K6B0223000 | Heat resistant plate |
| 12 | 416116701 | Washer |
| 13 | 416172501 | Cutter |
| 14 | 416704201 | Sewing table body |
| 15 | 416718701 | Sewing table body cover 2273 |
| 16 | 270 K6B0323210 | Reverse button 2273 |
| 17 | 416121101 | Set screw (M4*10B) |

Standard accessories



Optional accessories



| Pos | Part No. | Description |
|-----|----------------|----------------------------------|
| 1 | 416128401 | Zigzag presser foot complete (J) |
| 2 | 416128701 | Zipper foot (I) |
| 3 | 270 006Q6A0150 | Buttonhole foot |
| 4 | 416284501 | Button sewing foot |
| 5 | 416127701 | Brush & Seam ripper complete |
| 6 | 416127101 | Seam guide |
| 7 | 416718801 | Pack needles (for Singer) |
| 8 | 270 R12373210 | Spool holder (large) |
| 9 | 416500801 | Spool holder (small) |
| 10 | 270 006084009 | Bobbin |
| 11 | 270 006093009 | Screwdriver |
| 12 | 416718901 | Oil bottle |
| 13 | 416127901 | Embroidery plate |

Optional accessories

| No. | Part No. | Description |
|-----|---------------|-------------------|
| 1 | 270 006804008 | Satin stitch foot |
| 2 | 270 R60033210 | Second spool pin |
| 3 | 270 006803008 | Over casting foot |
| 4 | 270 006800008 | Hemmer foot |
| 5 | 270 006810008 | Cording foot |
| 6 | 416128501 | Blind hem foot |
| 7 | 416127401 | Embroidery foot |
| 8 | 270 006917008 | Gathering foot |
| 9 | 416129101 | Quilting foot |
| 10 | 270 006185008 | Walking foot |
| 11 | 416127301 | Spool pin felt |