

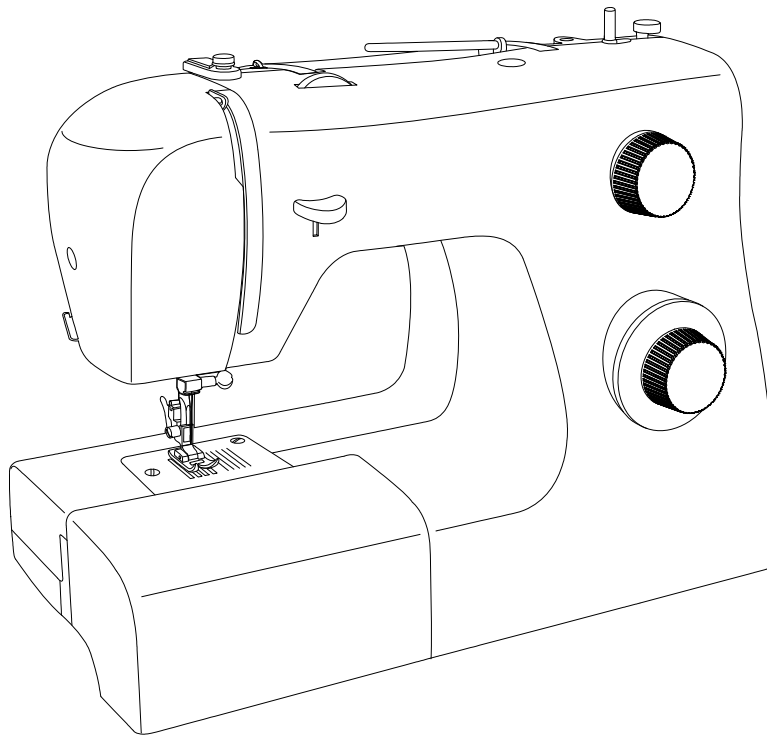


**SINGER** | Tradition™

2250

2259

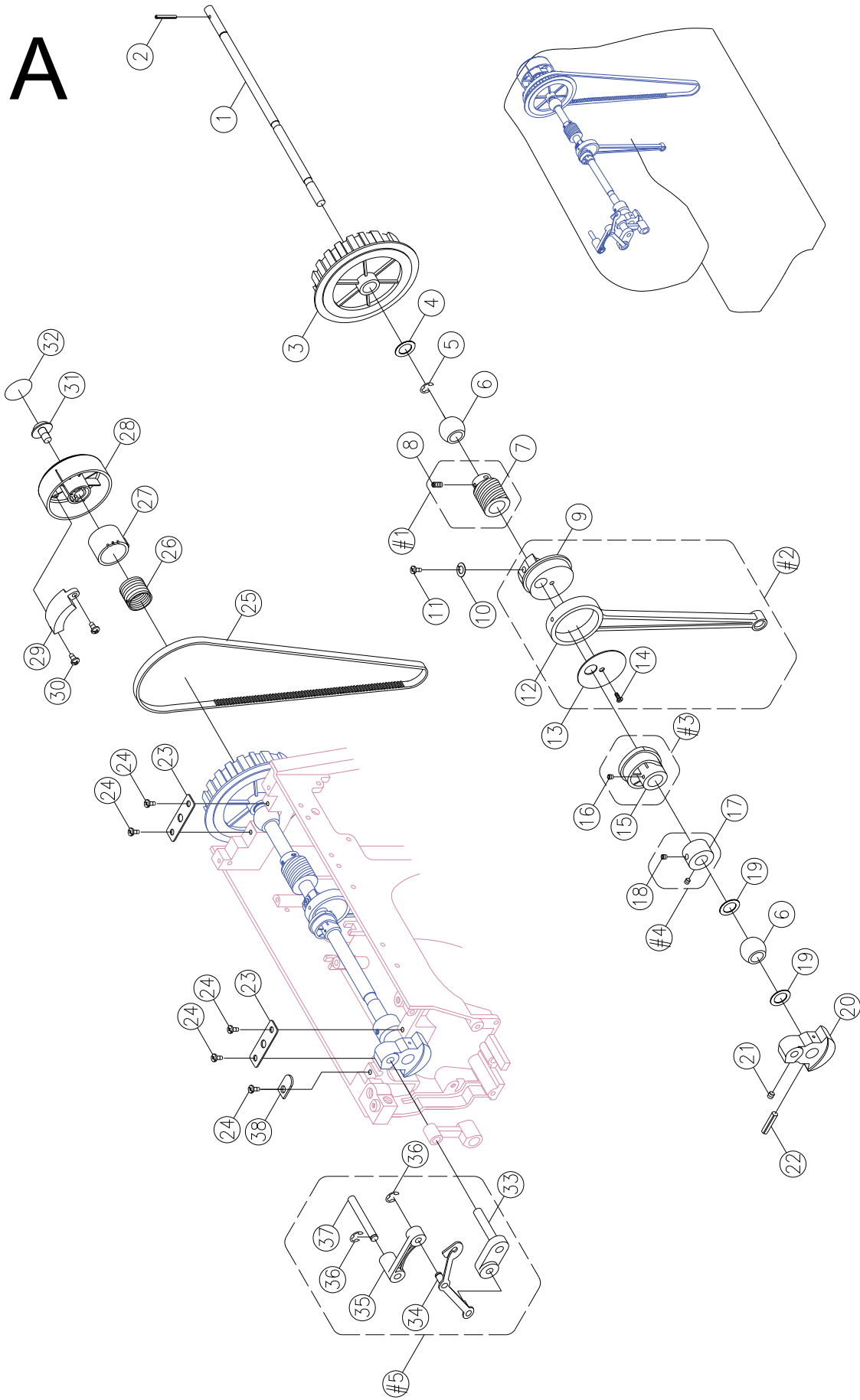
2263



Liste de pièces  
Lista de Piezas  
Parts List

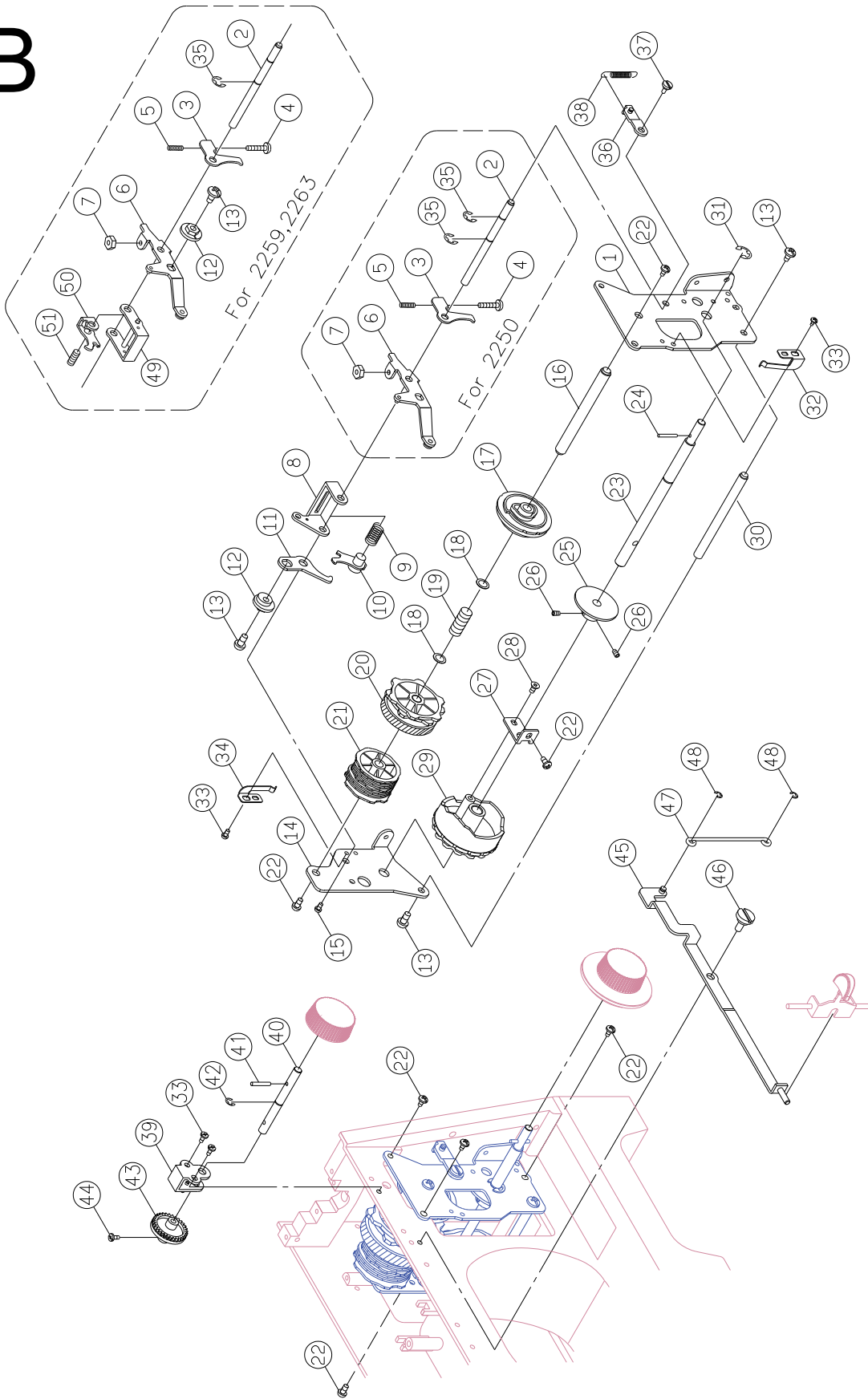
® A registered trademark of The Singer Company Ltd. or its affiliates.  
® *Una marca registrada de The Singer Company Ltd. o sus afiliados.*  
® *Une marca déposée de The Singer Company Ltd. ou ses filiales.*

# A



1	270 V60033000	Arm shaft
2	416117601	Spring pin□□3*18□
3	416148501	Arm shaft driver belt pulley
4	416124701	Washer□10.2×15×0.5□
5	416116501	E-Ring□ETW-9□
6	416156301	Arm shaft busing
7	270 V880423000	Arm shaft worm
8	416121001	Set screw□M4×5□
9	416161201	Crank connecting rod cam
10	270 004600026	Washer□4.2×7.2×1.2□
11	270 004107063	Set screw□11/64×40×12□
12	270 V60045000	Crank connecting rod
13	416161401	Crank connecting rod cover
14	416121201	Set screw (M4x6B)
15	270 G4A0533000	Feed cam
16	0042405030*	Set screw□M4×4□
17	416156501	Arm shaft collar
18	270 004250203	Set screw□M5×5□
19	270 004400080	Endure attrition washer (10.2×15×0.5)
20	270 V61473000	Arm shaft balance
21	416122101	Set screw□M4×6□
22	270 003043524	Arm shaft balance pin (□3.5×24)
23	416161701	Arm shaft bushing holder plate
24	416121501	Set screw□M4×8A□
25	416524801	Motor drive belt(156XXL)4.8mm
26	416156601	Arm shaft clutch annulus spring
27	270 R10403000	Arm shaft collar
28	270 V6E0233210	Hand wheel
29	270 V61893000	Hand Wheel Balance Plate
30	270 004230336	Set screw (M3*10)
31	270 0042500016	Set screw (M5x10)
32		Hand wheel decorated plate
33	416158001	Arm shaft balance pin
34	270 E1A2513001	Thread take up lever
35	416157901	Thread take up lever supporter
36	416116101	E-Ring□ETW-4□
37	270 V60223003	Thread take up lever supporter shaft
38	416152201	Set washer
#1	270 V880424000	Arm shaft worm complete
#2	416161101	Crank connecting rod complete
#3	270 G4A0535000	Feed cam complete
#4	416156401	Arm shaft collar complete
#5	270 E1A2534000	Thread take up lever complete

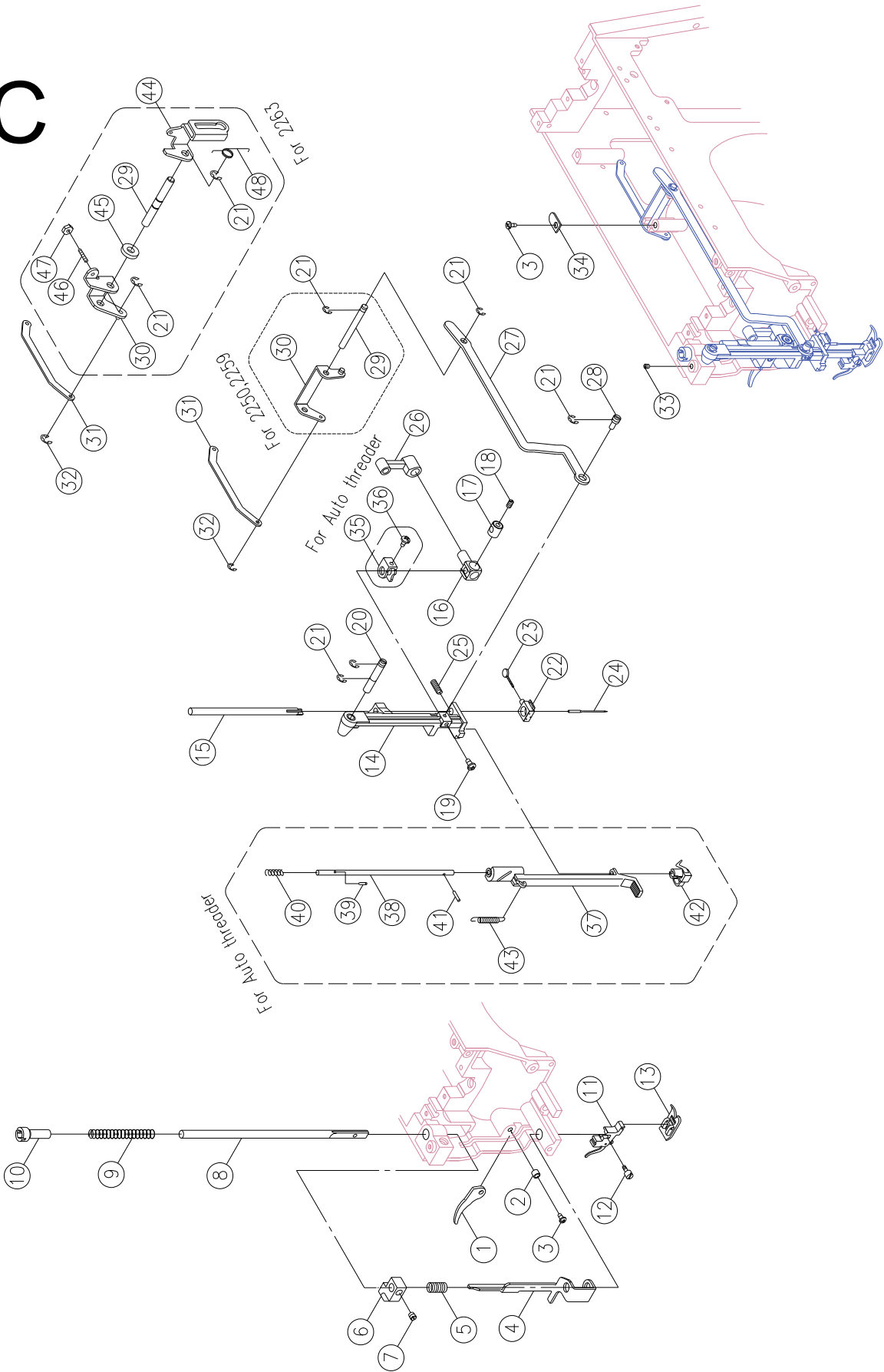
# B



Take care the circled parts for the model you need.

Pos	Part No.	Description
1	270 V610053003	Pattern cam contact plate (front)
2	270 V60693000	Zig zag cam contact supporter shaft
3	270 V810153003	BH regulator plate
4	270 004240706	Set screw
5	270 V60813003	BH spring
6	270 V60783003	Feed regulator crank complete
7	416126801	Regulate Set Nut (ALN-4)
8		Zig zag cam contact supporter
9	270 V10693003	Zig zag cam contact spring
10	270 V60713003	Zig zag cam contact
11	270 V60723003	Zig zag regulator plate
12	270 V60733000	Zig zag regulator nut
13	270 004230316	Set screw (M3*10 B)
14	416525501	Pattern cam contact plate (back)
15	416119201	Set screw (M3*6 A)
16	270 V60643003	Pattern cam shaft
17	270 V60683000	Stitch length cam
18	270 004300823	Washer (8.2*12*0.25)
19	270 V60673003	Pattern cam shaft spring
20	270 V60663000	SS cam
21	270 V60653000	Pattern cam For 2250,2259, 2263
	270 VG0053000	Pattern cam
22	416121501	Set screw (M4*8 A)
23	270 V6E0063003	Pattern selector cam shaft
24	416183901	Hand Wheel bushing pin( $\phi$ 2.5*16)
25	270 V60863000	BH pattern selector cam
26	416122401	Set screw (M4*4 C)
27	270 V60853003	Pattern selector cam plate
28	270 004240166	Set screw (M4*8)
29	270 V70053000	Pattern selector cam For 2250,2259
	270 V60843000	Pattern selector cam For 2263
30	270 V60823003	Pattern cam contact supporter shaft
31	416116401	E-Ring (ETW-6)
32	270 V60883003	Stitch length position plate
33	416121201	Set screw (M4*6 B)
34	270 V60873003	Pattern plate
35	416116301	E-Ring (ETW-5)
36	270 V610063003	Reverse plate
37	270 004230583	Set screw
38	416155001	Spring
39	270 V8E0015000	Stitch length dial support plate complete For 2250 Stitch length dial support plate complete For 2259,2263 Stitch length dial support plate complete
40	270 V6E0043003	Stitch length dial shaft
41	416183901	Hand Wheel bushing pin( $\phi$ 2.5*16)
42	416116301	E-ring (ETW-5)
43	270 V6E0033000	Stitch length gear
44	270 004235016	Set screw (M3.5*6)
45	270 V6E0113006	Reverse lever
46	270 004240883	Reverse lever set screw (M4)
47	270 V610093003	Reverse rod
48	416116001	E-Ring (ETW-3)
49	270 V60743003	SS cam contact supporter For 2259,2263
50	270 V60763003	SS cam contact For 2259,2263
51	416166401	SS cam contact spring For 2259,2263
#	270 V8E0024000	Pattern cam contact complete For 2250
#	270 V7E0024000	Pattern cam contact complete For 2259
#	270 V5E0024000	Pattern cam contact complete For 2263
#		Pattern cam contact complete

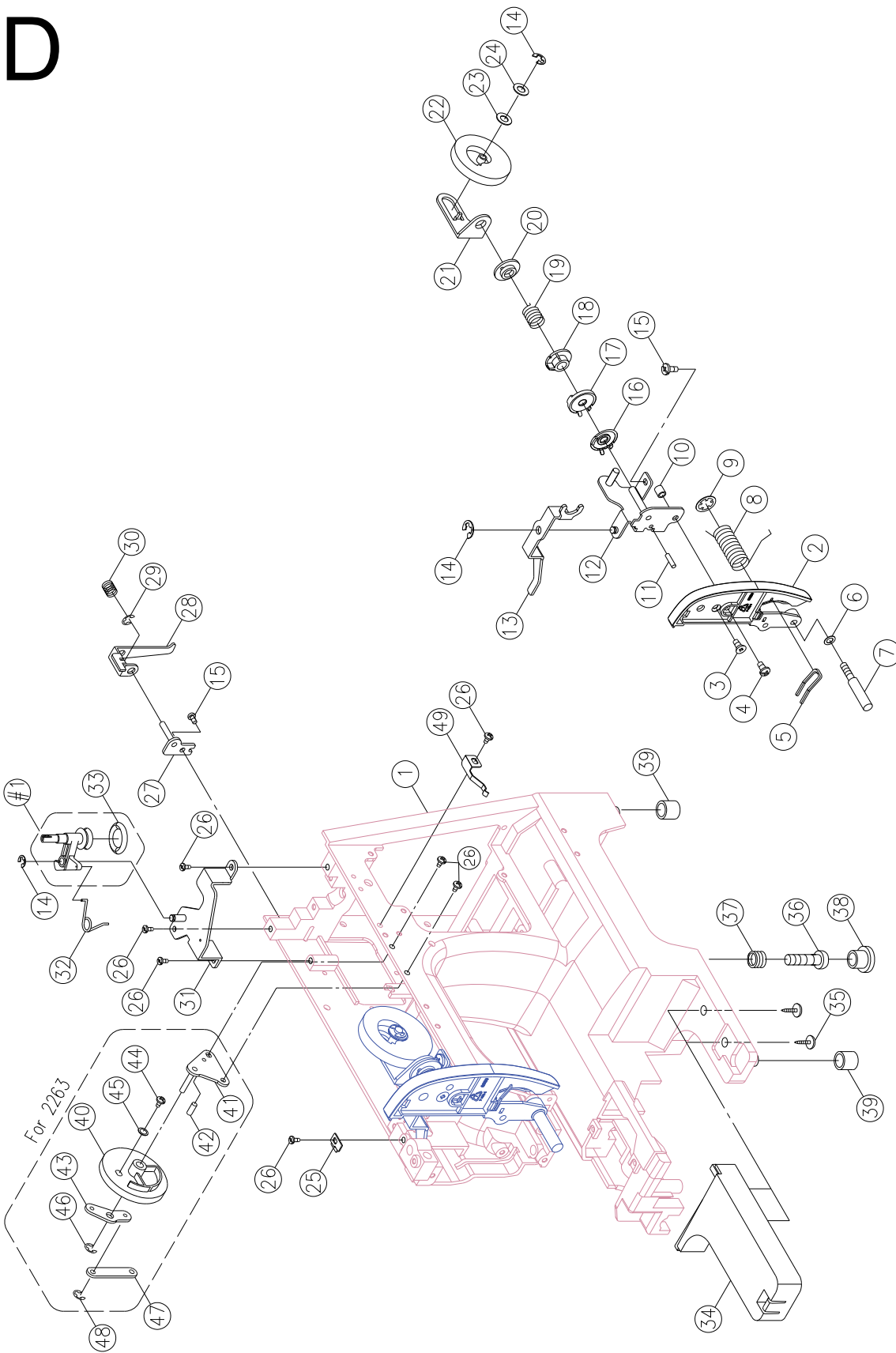
C



Take care the circled parts for the model you need.

Pos	Part No.	Description
1	270 V880153000	Presser bar lifter lever
2	416162101	Presser bar lifter lever screw washer
3	416121101	Set screw (M4x10B)
4	416162001	Tension lever lifter
5	270 H10723003	Tension lever lifter spring
6	416151501	Presser bar bracket
7	416123801	Set screw □M6×5□
8	416173401	Presser bar
9	416173501	Presser bar spring
10	K6B0563000	Presser bar regulating screw
11	416128201	Shank complete
12	416118401	Shank screw (9/64×40×8)
13	416128401	Zigzag presser foot complete (J)
14	270 V61973002	Needle bar supporter
15	416173601	Needle bar
16	416150801	Needle bar bracket (1)
17	416150801	Needle bar bracket (2)
18	416122401*	Set screw □M4×0.7×4 C□
19	270 004106202	Set screw □9/64×40×6□
20	270 N80223003	Needle bar supporter pin
21	416116301	E-Ring □ETW-5□
22	416245301	Needle clamp
23	416245301	Needle clamp screw
24	270 006176008	Needle (14#) For SINGER
25	416152701	Needle bar supporter spring
26	416150101	Needle bar crank rod
27	270 V70023003	Needle bar driving rod
28	270 E1A2433001	Needle bar driving rod pin
29	270 V70103003	Zig zag cam contact supporter shaft For 2250,2259
	270 V60993003	Zig zag cam contact supporter shaft For 2263
30	270 V70093003	Zig zag regulator crank For 2250,2259
30	270 V61013003	Zig zag regulator crank For 2263
31	270 V61043003	Rod
32	416116101	E-ring (ETW-4)
33	416121001	Set screw □M4×5□
34	416152201	Set washer
35	416154901	Auto threader stopper
36	416119201	Set screw (M3×6)
37	270 R10083000	Auto thread lever
38	270 V61843002	Auto threader shaft
39	416117201	Auto threader shaft pin (□2×14)
40	416157401	Auto threader shaft spring
41	416717301	shaft pin (□2×6)
42	416145801	Auto threader
43	416155001	Auto threader lever spring
44	270 V61003003	Zig zag width regulating cam box
45	270 004300493	Washer(□14*□6.2*3)
46	270 004106053	Set screw (9/64×40×11)
47	416126301	Nut (9/64×40 t=3)
48	270 V61033003	Zig zag width spring

# D

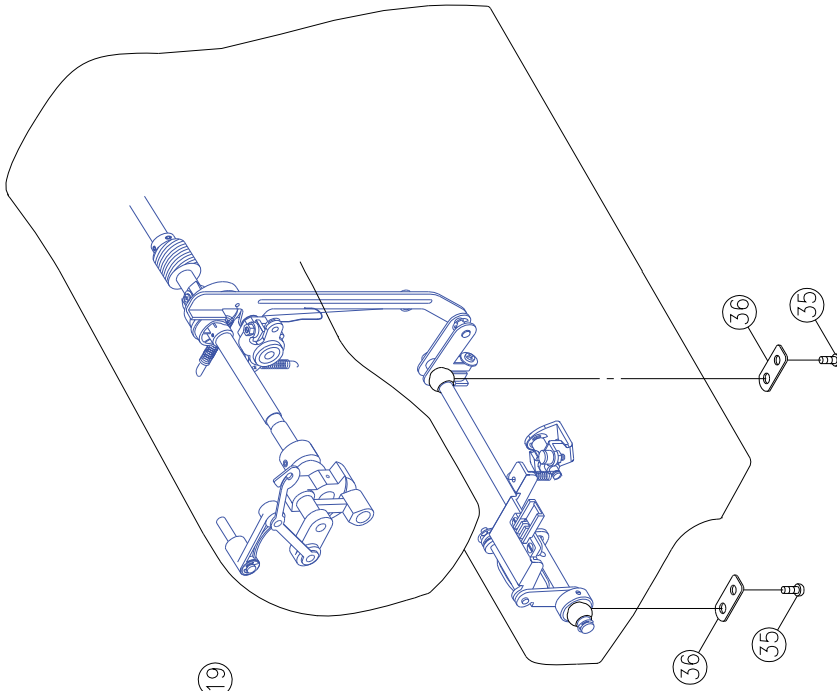
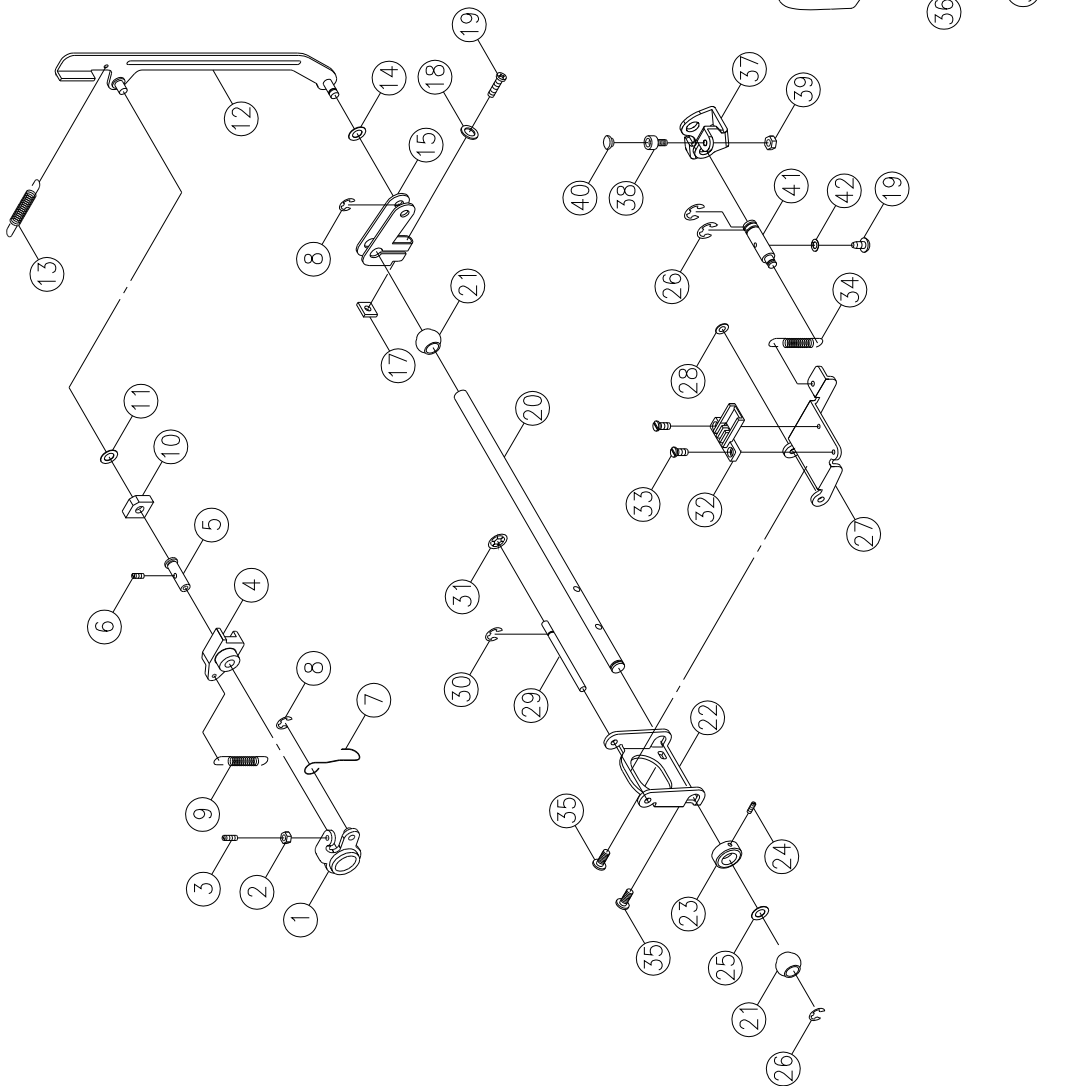


Take care the circled parts for the model you need.



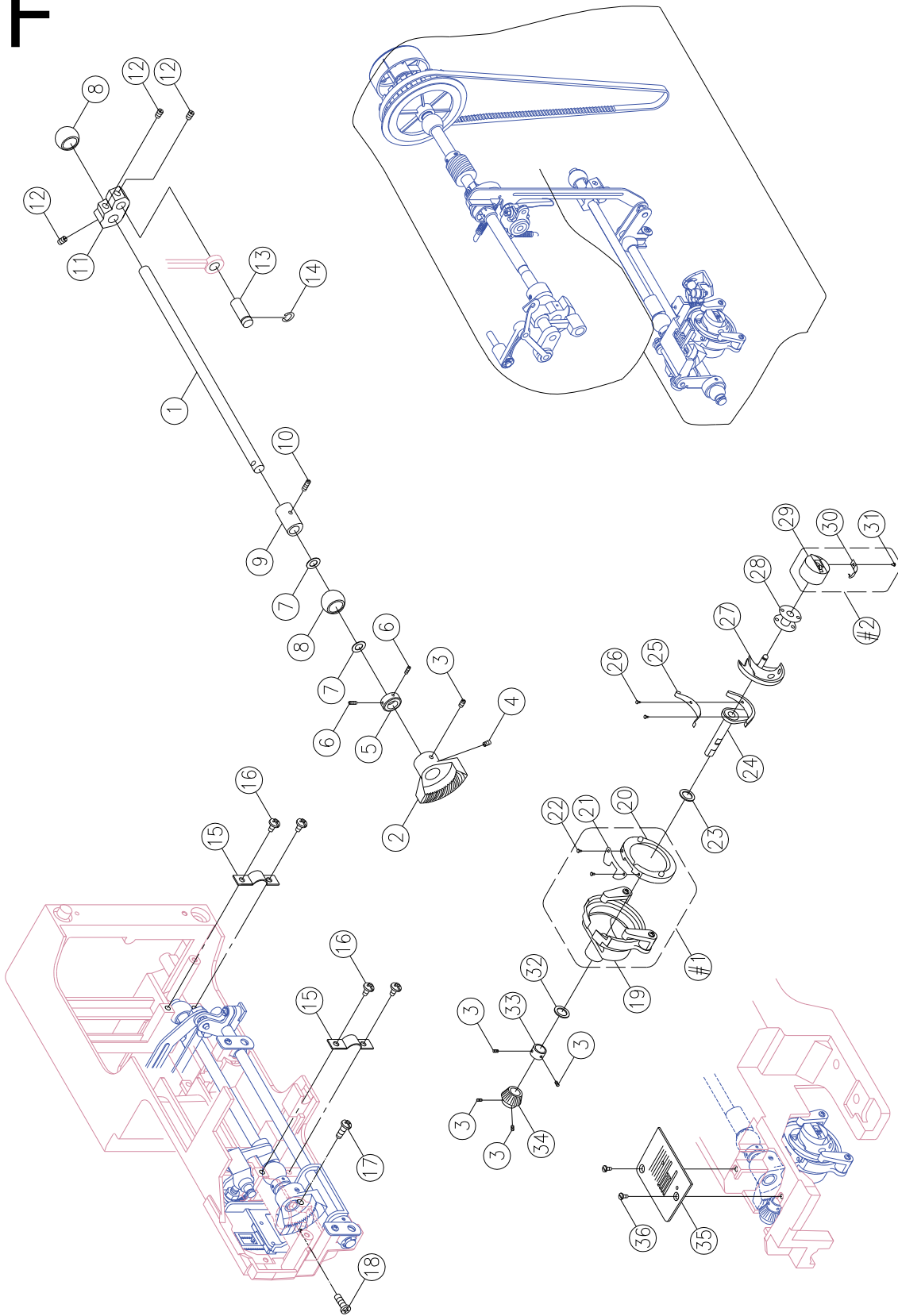
Pos	Part No.	Description
1		Arm
2	270 V8EA003210	Dial tension supporter plate cover
3	416121901	Set screw (M4*6)
4	416121701	Set screw (M4*15)
5	416171301	Thread guide
6	416124101	Washer (4.2*8*0.8)
7	270 004240982	Set screw (M4)
8	270 V60303000	Thread guide spring
9	416116701	Thread guide spring washer (C-5)
10	416151701	Dial tension guide spring tube
11	416117501	Hand wheel bushing pin (3*10)
12	270 V60243002	Dial tension supporter plate
13	270 V880203003	Dial tension waft plate
14	416116301	E-ring (ETW-5)
15	416121201	Set screw (M4*6)
16	416153601	Dial tension disc (1)
17	416146301	Dial tension disc
18	416412001	Dial tension spring regulator
19	416155901	Dial tension spring
20	416153801	Dial tension regulator
21	270 V60273006	Dial tension spring plate
22	270 V8ED003210	Dial tension knob
23	416126001	Washer (WW-5)
24	416124501	Washer (5.2*10*0.5)
25	416161901	Tension lever regulating plate
26	416121501	Set screw (M4*8)
27	416169901	Clutch rod plate
28	416169901	Clutch rod
29	416116301	E-Ring (E-5)
30	270 V61205003	Clutch rod spring
31	416586701	Bobbin winder frame plate
32	416171201	Bobbin winder crank spring
33	416149201	Bobbin winder rubber pulley
34	270 V610293210	Free arm foot base
35	270 004230796	Set screw (M3*8)
36	416154501	Base plate adjustment screw
37	416154401	Base plate adjustment screw spring
38	416147001	Free arm base cushion rubber
39	416152901	Free arm base cushion rubber
40		Zig zag width dial For 2263
41	270 V6E0093006	Zig zag width dial plate For 2263
42	416117501	Hand wheel bushing pin (3*10)
43	270 V6E0073006	Zig zag width crank For 2263
44	416121101	Set screw(M4*10B)
45	416124501	Washer (5.2*10*0.5)
46	416116101	E-Ring (E-4)
47		Zig zag width crank rod For 2263
48	416116001	E-Ring (E-3)
49	270 V61443003	Needle position plate For 2263
#1	416169701	Bobbin winder crank complete

FF



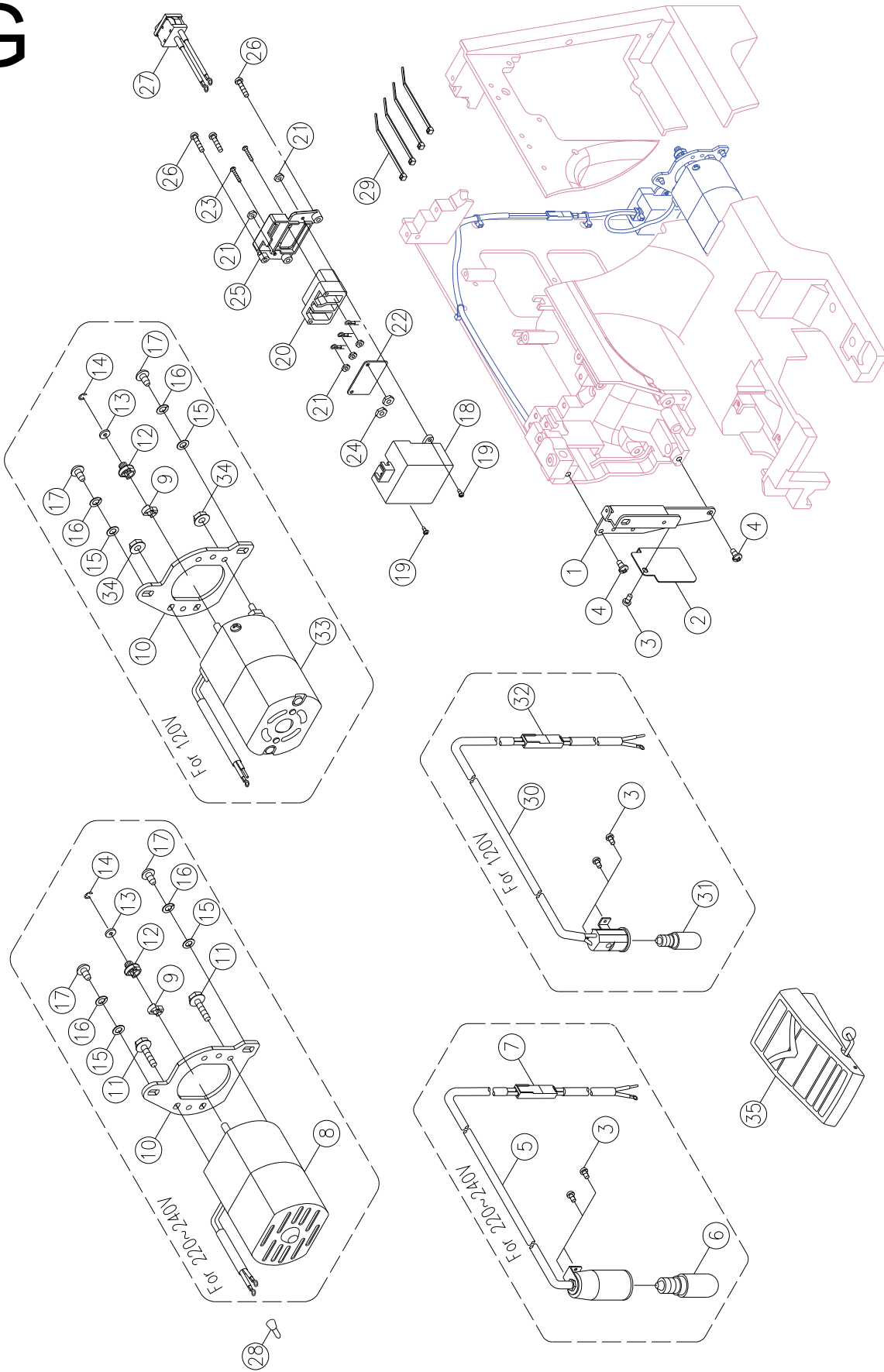
Pos	Part No.	Description
1	270 V60393003	Feed regulating plate
2	416126301	Nut (9/64*40 t=3)
3	270 004106053	Set screw (9/64*40*11)
4	270 V60433000	Feed regulating
5	270 V60443000	Feed regulating shaft
6	416122101	Set screw (M4*6)
7	270 V60423003	Feed rod
8	270 003010046	E-Ring (E-4)
9	270 V70063003	Feed regulating spring
10	270 V11533000	Feed regulating block
11	270 004400180	Endure attrition washer
12	270 V60453003	Fork rod
13	270 V60463003	Fork rod spring
14	270 004400450	Endure attrition washer
15	270 V60553003	Feed rock crank
16	416116101	E-Ring (ETW-4)
17	270 004840073	Feed rock crank Nut (M4)
18	416123901	Washer (4*8*0.5)
19	416121701	Set screw (M4*15)
20	270 V60483000	Feed rock shaft
21	270 V60343000	Feed rock bushing
22	270 V60493003	Feet rock frame
23	416151901	Pattern cam shaft collar
24	416122401	Set screw (M4*4)
25	270 004400410	Endure attrition washer
26	416116401	E-Ring (ETW-6)
27	270 V60503003	Feed dog frame
28	416124101	Washer (4.2*8*0.8)
29	270 V60513003	Feed dog frame shaft
30	416116001	E-Ring (ETW-3)
31	270 003090043	Nut (SPN-4)
32	416171601	Feet dog
33	270 004230056	Set screw (M3*5 B)
34	270 V60533003	Feed dog frame spring
35	416121501	Set screw (M4*8)
36	270 V60563003	Bushing holder plate
37	270 V60583003	Feed lifting rock crank
38	270 004250323	Sew screw
39	270 004840022	Nut (M4 t=3)
40	416154401	Sew screw knob
41	270 V60593003	Feed lifting rock shaft
42	270 004600026	Washer (4.2*7.2*1.2)

**T**



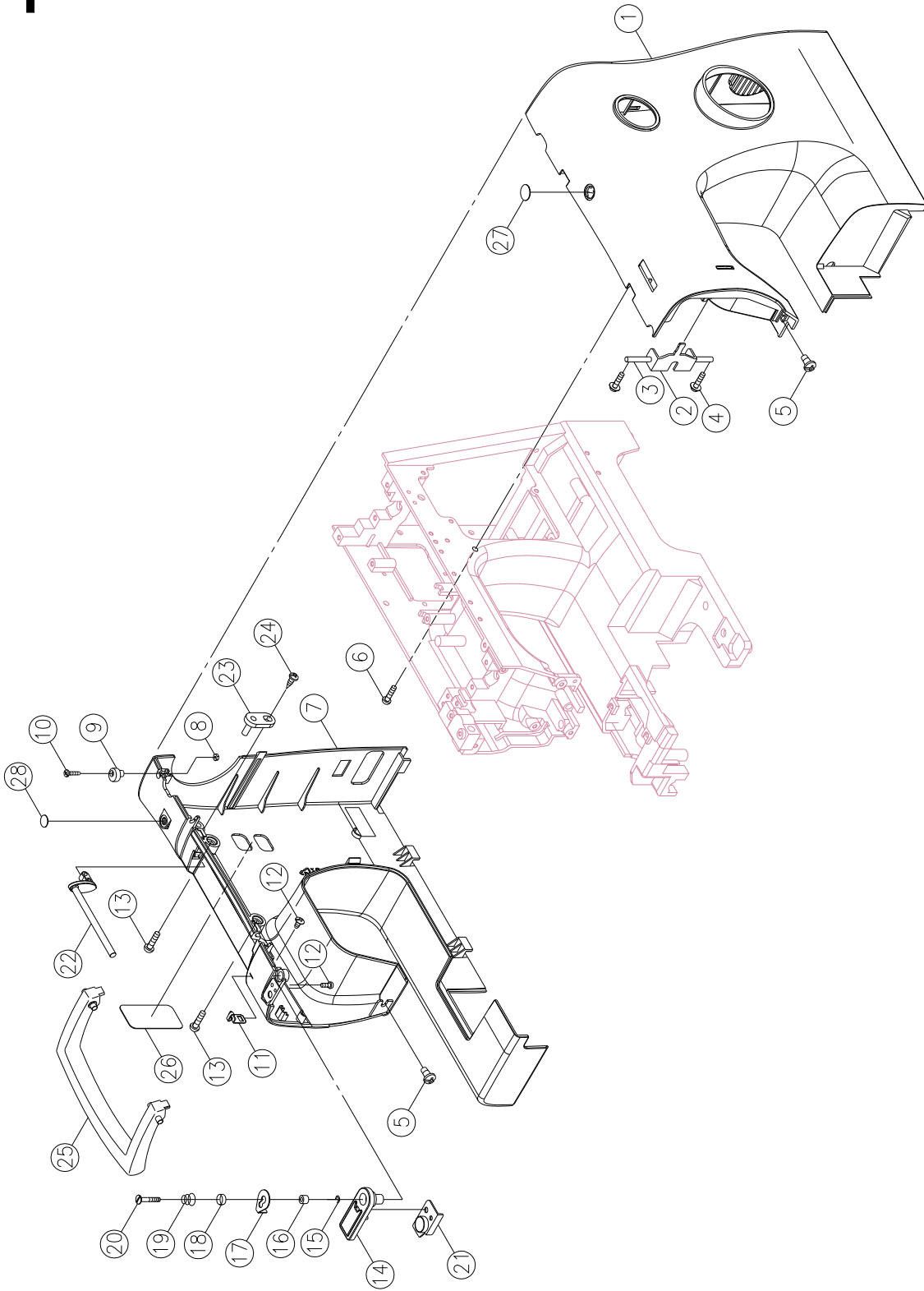
Pos	Part No.	Description
1	270 V620223000	Lower shaft
2	270 V620473000*	Lower shaft gear
3	270 004111043	Lower shaft gear set screw
4	270 004111033	Lower shaft gear set screw
5	270 V11553003	Lower shaft collar
6	416122401	Set screw (M4*4)
7	270 004400410	Endure attrition washer
8	270 V60343000	Feed rock bushing
9	416154401	Feed lifting rock cam
10	416122101	Set screw (M4*6)
11	270 V60363000	Crank connecting rod crank
12	270 004250203	Set screw (M5*5)
13	270 V10833003	Crank connecting rod crank pin
14	416116301	E-Ring (ETW-5)
15	416157001	Feed rock bushing holder plate
16	416121501	Set screw (M4*8)
17	270 004107293	Set screw 11/64×40×4
18	416121101	Set screw (M4*10B)
19	270 V10995000	Open shuttle race
20	270 V10995000	Shuttle hook holder
21	270 V10995000	Shuttle hook holder spring
22	270 V10995000	Shuttle hook holder spring screw
23	270 004400800	Endure attrition washer (7.6×12×0.13)
24	270 K81125000	Shuttle driver
25	270 K81125000	Shuttle driver spring
26	270 K81125000	Shuttle driver spring screw
27	416392101	Shuttle hook (4.6mm)
28	270 006084009	Bobbin
29	416153401	Bobbin case
30	416153401	Bobbin case spring
31	416152601	Bobbin case spring set screw
32	270 004400210	Endure attrition washer (8.2×16×0.5)
33	416153101	Shuttle driver shaft collar
34	V620483000	Shuttle driver shaft gear
35	416171501	Needle plate
36	416122901	Needle plate complete set screw
#1	270 V10995000	Open shuttle race complete
#2	416153401	Bobbin case complete

# G



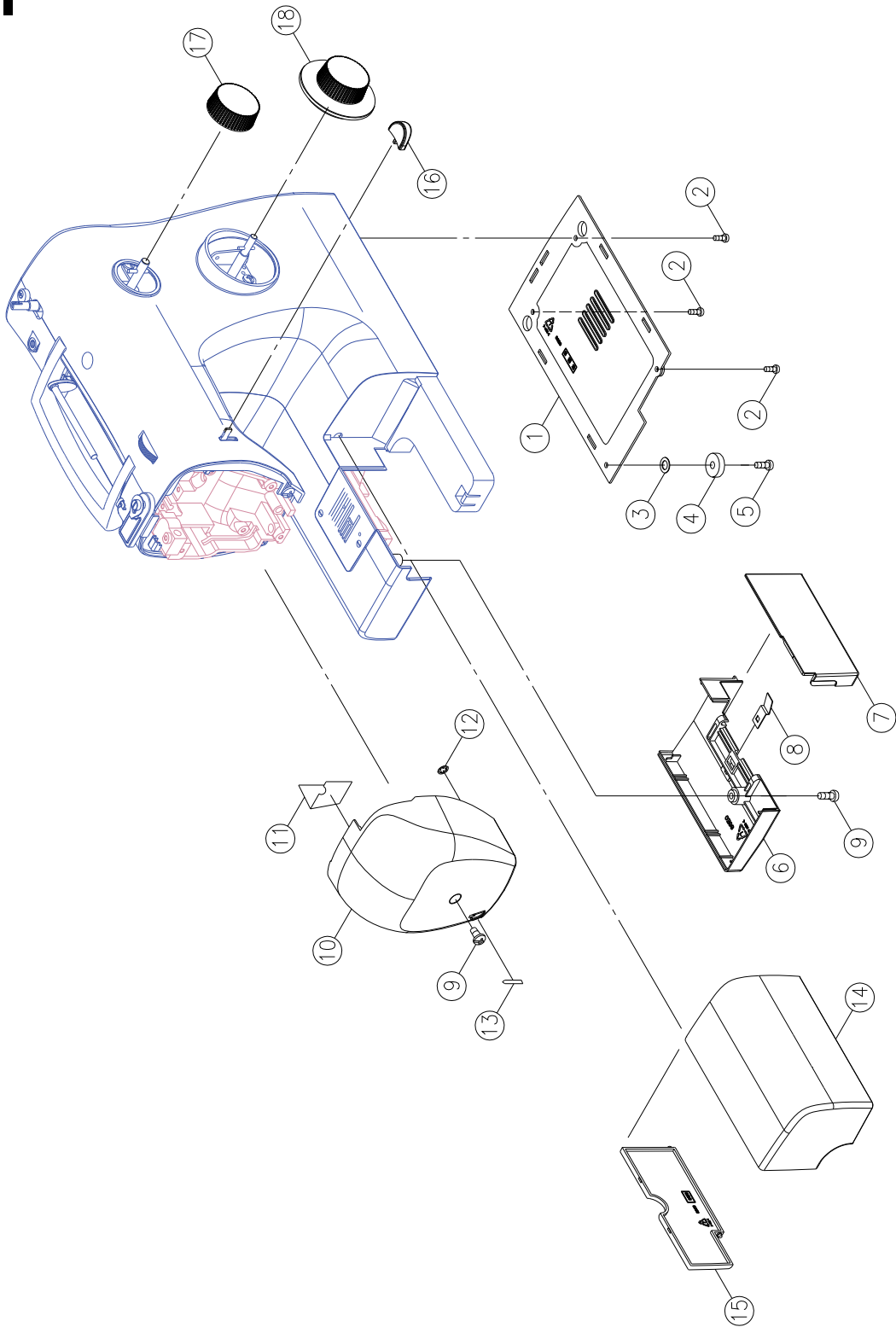
All voltage application & spec, please check next page.

Pos	Part No.	Description
1	270 V61283006	Lamp bracket
2	270 VG40123000	Shield
3	270 004230056	Set screw (M3*5 B)
4	416121501	Set screw(M4*8)
5	270 002423118	Lamp holder complete ( for 220V-240V)
6	416127001	Lamp (15W E-12)(for 240V)
7	416114901	Lead wire ass'y (for 220V-240V)
8	416430001	Motor complete (HF(S)-07250) (for 230V)
8	270 001V881001	Motor complete (for 220V) KR
9	416129401	Cushion rubber
10	270 002397025	Motor bracket
11	416521501	Set screw (M4*10.2) (for 220-240V)
12	270 002396028	Belt wheel
13	416114001	Motor feed regulator collar
14	416116001	E-Ring (ETW-3)
15	416124301	Washer (5.4*10*0.9)
16	416126201	Spring washer (5.2*9*1)
17	416224801	Set screw (M5*12)
18	270 002248129	Receptacle holder cover
19	416119701	Set screw (M3*8 B)
20	416184701	Receptacle
21	270 004840120	Nut (M3*4)
22	416183601	Concert insulation plate
23	416184901	Set screw (M3*20)
24	416302901	Nut (M3 t=2.3)
25	V6E0243210	Receptacle holder
26	416121701	Set screw (M4*15)
27	416115001	Switch ass'y
28	416133001	End termed
29	416113901	Cord clip
30	270 002433418	Lamp holder complete (for 120V)
31	416126901	Lamp (10W) (for 120V)
32	270 002433418	Lead wire ass'y (for 120V)
33	270 001351109	Motor complete (HF-07150) (for 120V)
34	270 004840131	Nut (M4 t=5.5)(for 120V)
35	416183101	Foot controller (KD-2902) (for 230V)
35	416183301	Foot controller (KD-1902) (for 120V)
35	270 002V881004	Foot controller (KD-2902) (for 220V) KR





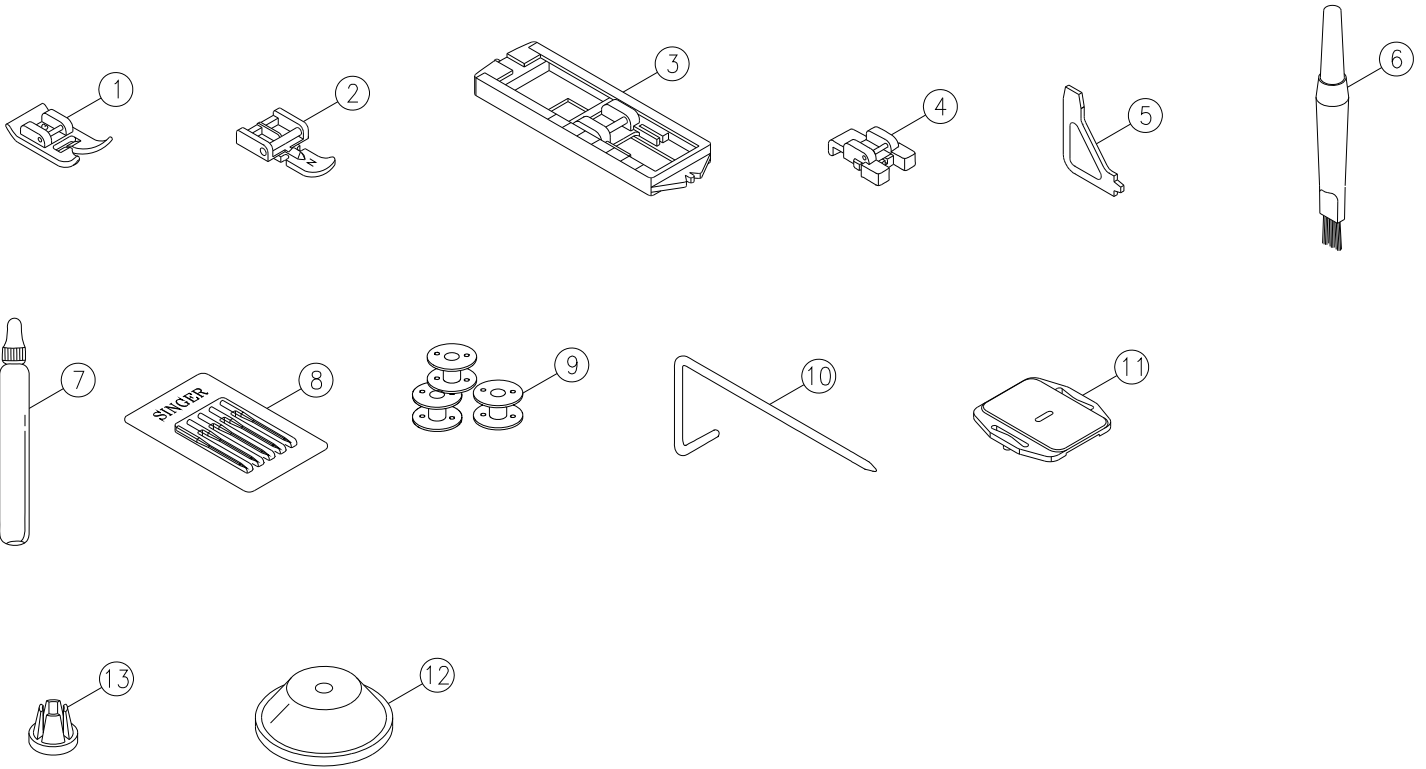
Pos	Part No.	Description
1		Front cover For 2250 Front cover For 2259 Front cover For 2263
2	270 V6E0253006	Reverse Dial Support Plate
3	270 K6B0343001	Reverse Dial Support Shaft
4	416686701	Set screw (M3*5 B)
5	416121501	Set screw (M4*8)
6	270 004240186	Set screw(M4*15)
7		Back cover
8	416126301	Nut (9/64*40 t=3)
9	416146601	Bobbin winder stopper
10	416174001	Set screw (9/64*40*16 B)
11	270 P3A1663001	Thread guide
12	270 004230216	Set screw
13	416122201	Set screw (M4*10 B)
14	416199201	Bobbin winder thread guide disc
15	416116001	E-Ring □ETW-3 □
16	270 P3A1523006	Spacer
17	270 P3A1513001	Bobbin winder thread guide
18	416199301	Bobbin winder spring disc
19	270 P3A1533001	Bobbin winder thread guide spring
20	416199401	Bobbin winder thread guide adjusting
21	416199001	Thread guide complete
22	270 V6E0323210	Spool pin base
23		Spool Pin Plate Complete
24	270 004230796	Set screw(M3*8)
25	270 V6E0283210	Handle
26	270 V61523210	Back cover Plate
27	270 V61503210	Front cover Plate (1)
28	270 V410123210	Spool Pin Plate



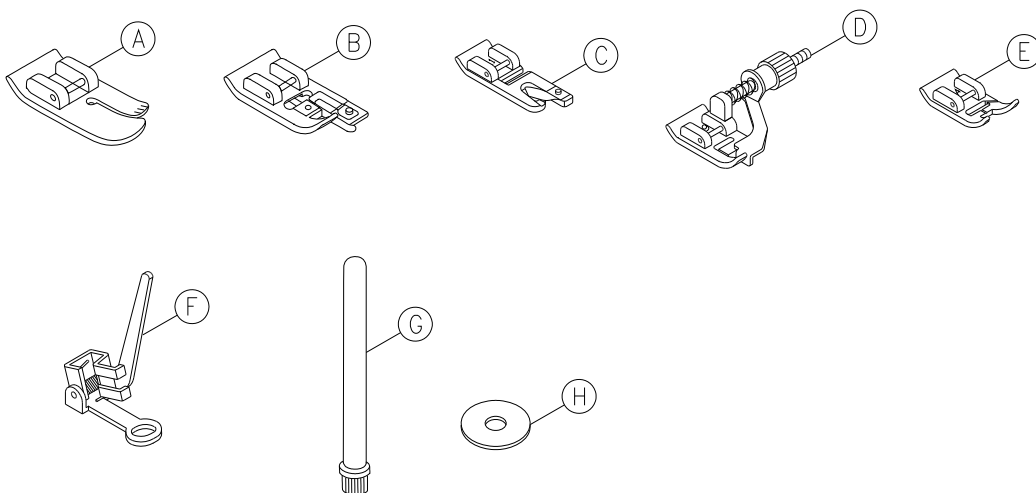
Pos	Part No.	Description
1	270 V6E0223210	Bottom plate
2	416121501	Set screw (M4*8)
3	416124401	Washer (5.2*16*1.0)
4	270 J31413000	Free arm base felt
5	416121701	Set screw (M4*15)
6	V6E0153210	Free arm base
7	270 R12453002	Hook cover spring
8	V6E0173210	Hook cover
9	416185401	Set screw (M4*10A)
10	V8EF003210	Face plate For SINGER
11	270 V6E0163000	Heat resistant plate
12	416116701	Washer (CSTW-5)
13	416172501	Thread cutter
14	270 V6E0204210	Sewing table
15		Sewing table cover
16	270 V6E0133210	Reverse button
17	270 V8ER003210	Stitch length dial For SINGER
18	270 V8ED013210	Selector dial For 2250
		Selector dial For 2259
		Selector dial For 2263

# J

## Standard accessories



## Optional accessories



Pos	Part No.	Description
1	416128401	Zigzag presser foot complete (J)
2	416128701	Zipper foot(l)
3	416128901	Buttonhole foot
4	416284501	Button sewing foot
5	270 006093009	Screw drive (L)
6	416127701	Brush & Seam ripper complete
7	416718901	Oil bottle
8	006175008	Pack of Needle (14#.16#.11#)
9	270 006084009	Bobbin
10	416127101	Seam guide
11	006117009	Darning plate
12	270 R12373210B	Spool set plate (big)
13	416500801	Spool set plate (small)

Optional accessories

A	416129101	Quilting foot
B	416284101	Over casting foot
C	270 006800008	Hemmer foot
D	416128501	Blind hem foot
E	270 006804008	Satin stitch foot
F	416127401	Embroidery