

SINGER
2100 Series

SINGER*

SINGER FACTORY

MONZA

* Copyright © 1987 SINGER
All Rights Reserved Throughout the World

* A Trademark of THE SINGER COMPANY

List of parts

Sewing Machines Series

2100

Stabilimento Industriale SINGER S.r.l.
Viale Sicilia, 75
20052 MONZA (Italy)

Phone: (039) 839001-9
Telex: Pyecom 333301
Fax: (039) 839008

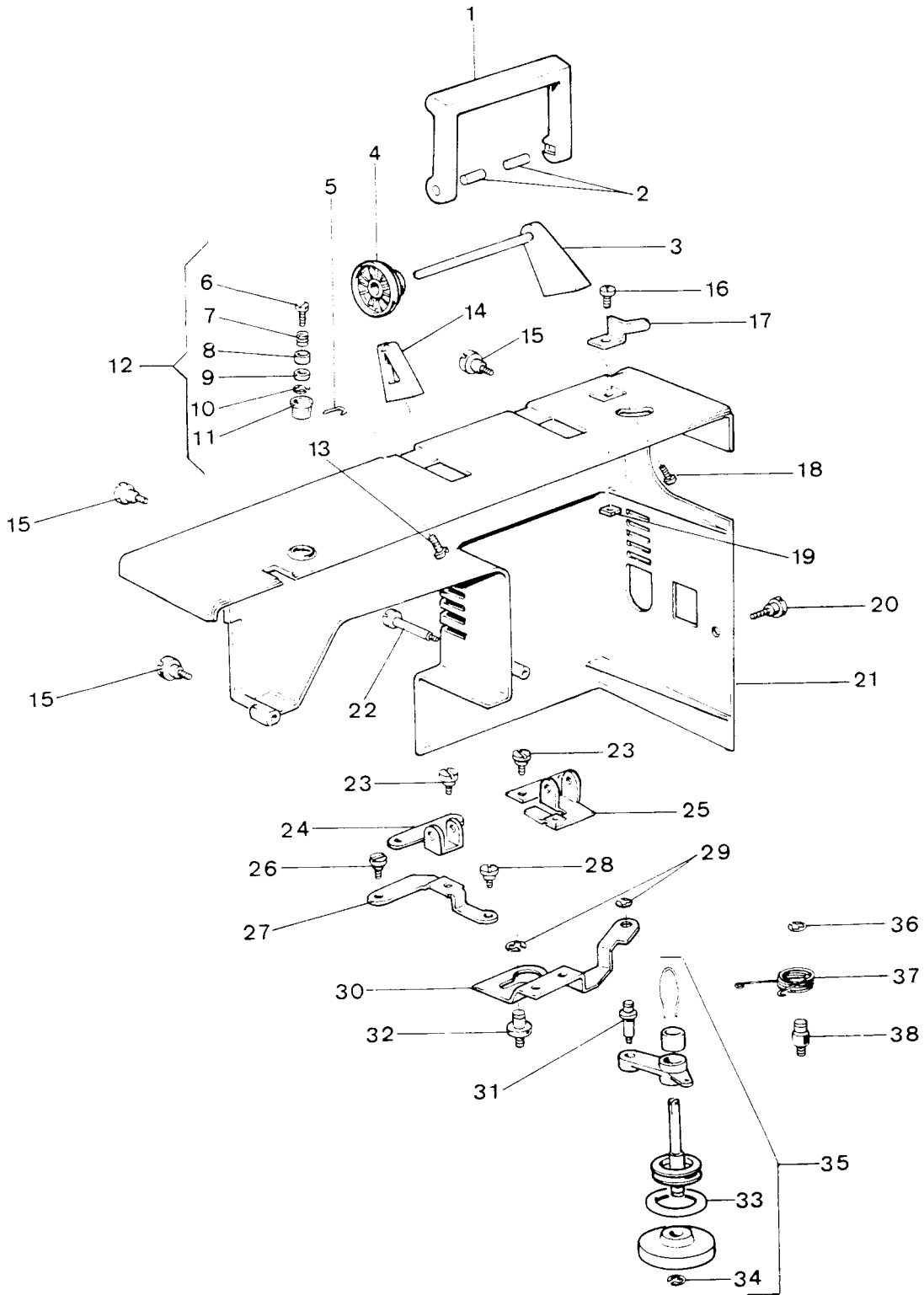
contents

Page

1) ARM TOP COVER	3
2) FRONT COVERS and FACE PLATE	5
3) CLOTH PLATE	7
4) NEEDLE BAR and DRIVE MECHANISM	9
5) NEEDLE HOOK and PLATE	11
6) PRESSER BAR and TENSION	13
7) ALPHA FEED and DRIVE MECHANISM	15
8) STITCH LENGTH and REVERSE MECHANISM	17
9) BUTTONHOLER and FEED REGULATOR	19
10) CAM CONTROL FEED and STITCH BALANCING MECHANISM	21
11) BIGHT AMPLITUDE and NEEDLE POSITION	23
12) CAM STACKS	25
13) PATTERN SELECTOR	27
14) ATTACHMENT SET	29
15) ADDITIONAL ACCESSORIES and SOFT COVER	31
16) ELECTRICAL EQUIPMENT	33
17) ADDENDUM FOR 1400 SERIES and 2100 MERRITT VERSION MACHINES ..	35,41

<p>2100 series includes the following tubular bed models:</p>	<p>IMPORTANT: For 1400 Series machines, the indications listed below must be applied throughout this manual as follows</p>
2102	Model 1482 is equivalent to 2102
2105	Model 1485 is equivalent to 2105
2106	Model 1486 is equivalent to 2106
2108	Model 1488 is equivalent to 2108
2110	Model 1490 is equivalent to 2110
2112	Model 1492 is equivalent to 2112
2114	
2118	

ARM TOP COVER

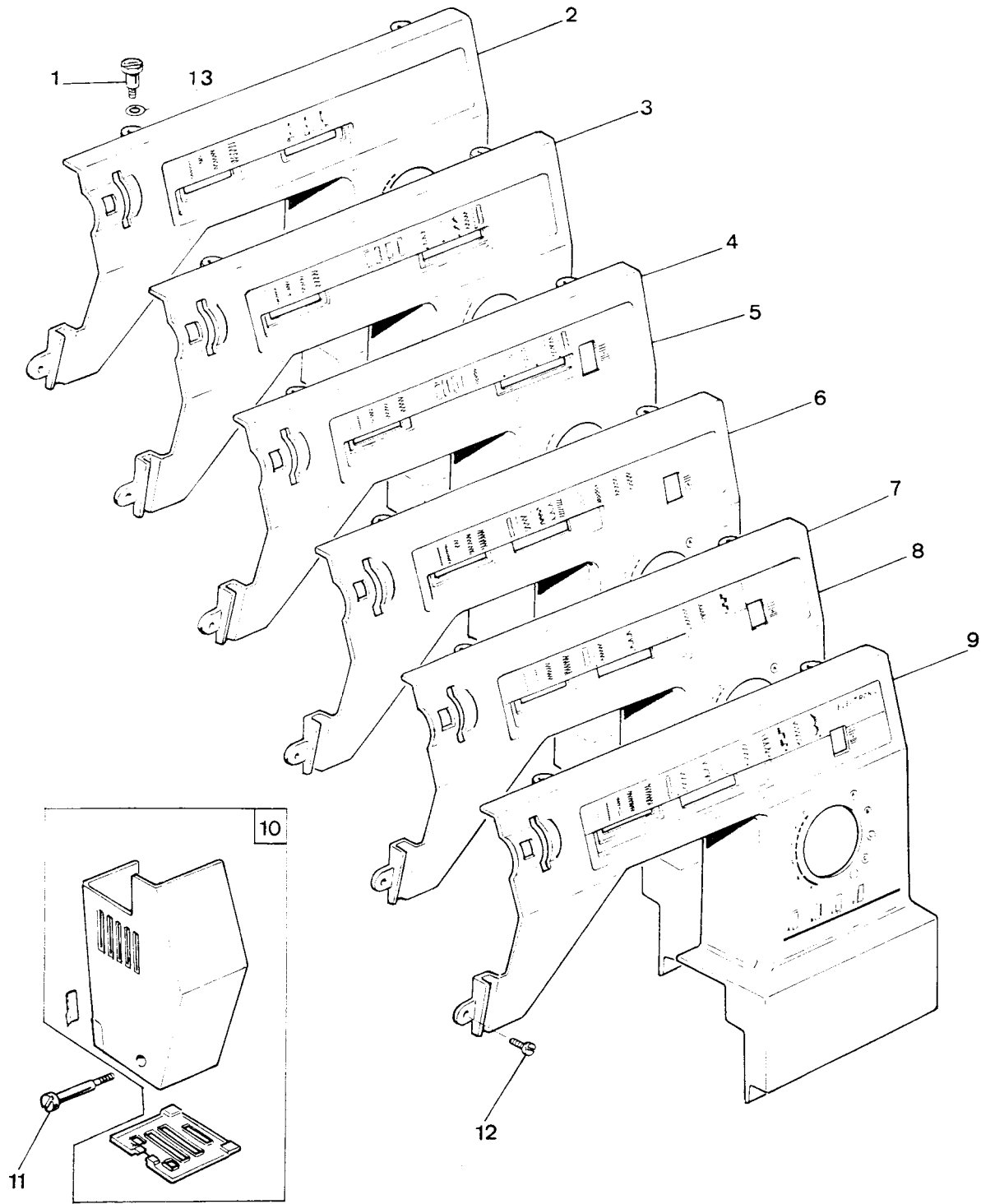


LIST OF PARTS FOR MACHINES 2100 SERIES

1

REF. N.	PART. N°	PART DESCRIPTION	2105	2118	2114	2112	2110	2108	2106	2102
1	423091-451	Machine handle	•	•	•	•	•	•	•	•
2	352931	Machine handle hinge pin	•	•	•	•	•	•	•	•
3	423090-451	Horizontal spool pin	•	•	•	•	•	•	•	•
4	179967-451	Thread spool cap	•	•	•	•	•	•	•	•
5	423087-451	Arm top cover wear bar	•	•	•	•	•	•	•	•
6	179812	Bobbin winder tension stud	•	•	•	•	•	•	•	•
7	45847	Tension disc spring	•	•	•	•	•	•	•	•
6	45915	Tension disc	•	•	•	•	•	•	•	•
9	319606	Bobbin winder tension stud collar	•	•	•	•	•	•	•	•
10	319663-452	Bobbin winder tension retaining ring	•	•	•	•	•	•	•	•
11	423086-900	Arm top cover insert	•	•	•	•	•	•	•	•
12	423110-451	Bobbin winder tension cpl.	•	•	•	•	•	•	•	•
13	447807-001	Screw	•	•	•	•	•	•	•	•
14	423093-451	Snap-in thread guide	•	•	•	•	•	•	•	•
15	139910	Arm cover (back) screw (3)	•	•	•	•	•	•	•	•
16	141808	Bobbin winder stop screw	•	•	•	•	•	•	•	•
17	423133-451	Bobbin winder stop	•	•	•	•	•	•	•	•
18	447807-002	Screw	•	•	•	•	•	•	•	•
19	53640	Bobbin winder stop screw nut	•	•	•	•	•	•	•	•
20	139910	Arm cover (side) screw	•	•	•	•	•	•	•	•
21	423074-451	Arm cover back	•	•	•	•	•	•	•	•
22	354252	Arm cover (back) screw	•	•	•	•	•	•	•	•
23	354657-451	Screw	•	•	•	•	•	•	•	•
24	352927	Machine handle mounting bracket (left)	•	•	•	•	•	•	•	•
25	352929	Machine handle mounting bracket (right)	•	•	•	•	•	•	•	•
26	354670	Screw	•	•	•	•	•	•	•	•
27	352932	Machine handle mounting plate (left)	•	•	•	•	•	•	•	•
	422218	Machine handle mounting plate (left)	•	•	•	•	•	•	•	•
28	422223	Screw	•	•	•	•	•	•	•	•
	354670-451	Screw	•	•	•	•	•	•	•	•
29	507063	Retaining ring (2)	•	•	•	•	•	•	•	•
30	422219	Machine handle mounting plate (right)	•	•	•	•	•	•	•	•
31	423034-451	Bobbin winder lever hinge screw	•	•	•	•	•	•	•	•
32	423031-451	Machine handle mounting plate screw	•	•	•	•	•	•	•	•
33	15287	Friction ring	•	•	•	•	•	•	•	•
34	511213	Washer	•	•	•	•	•	•	•	•
35	423038-451	Bobbin winder cpl.	•	•	•	•	•	•	•	•
36	507063	Retaining ring	•	•	•	•	•	•	•	•
37	423039-451	Bobbin winder lever spring	•	•	•	•	•	•	•	•
38	423035-451	Bobbin winder retaining spring screw	•	•	•	•	•	•	•	•

ARM FRONT COVER and FACE PLATE



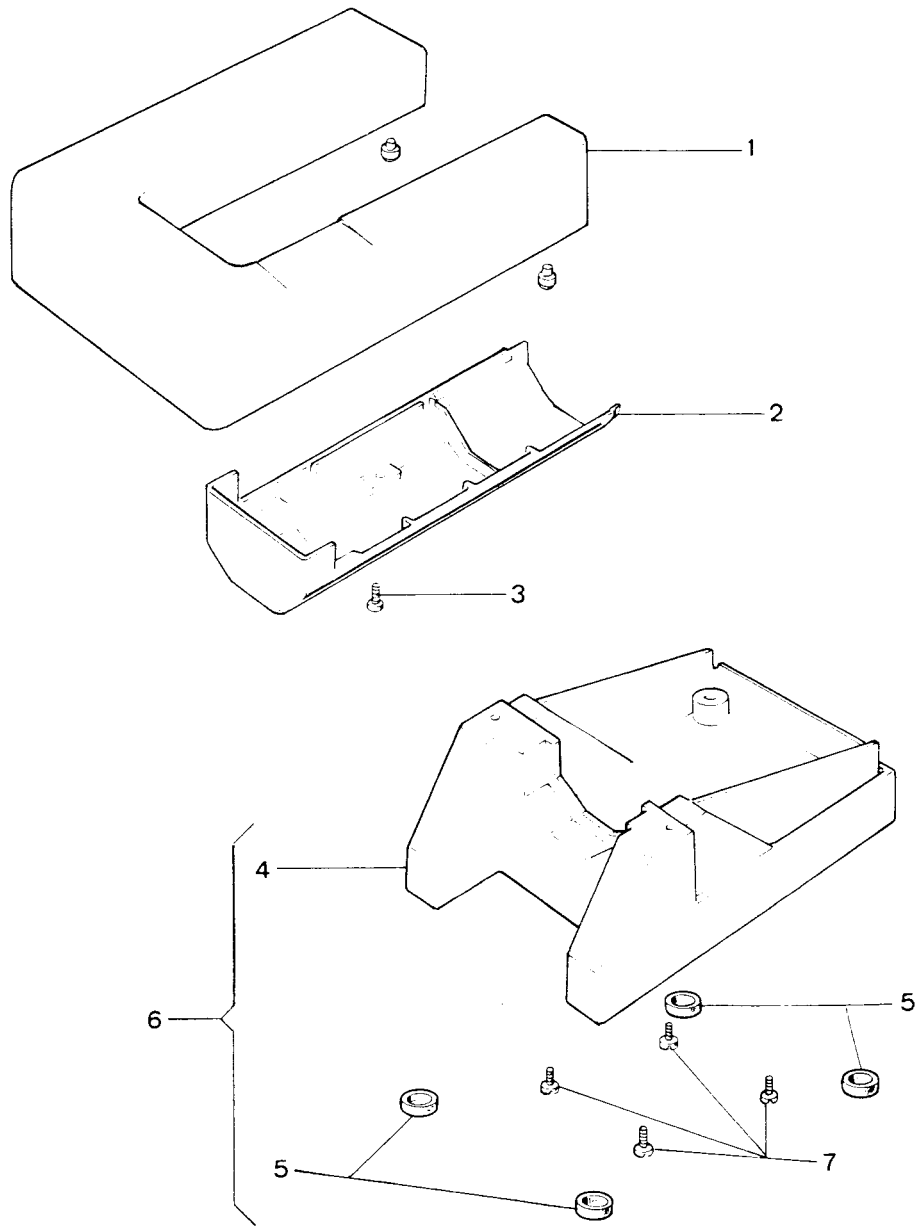
LIST OF PARTS FOR MACHINES 2100 SERIES

2

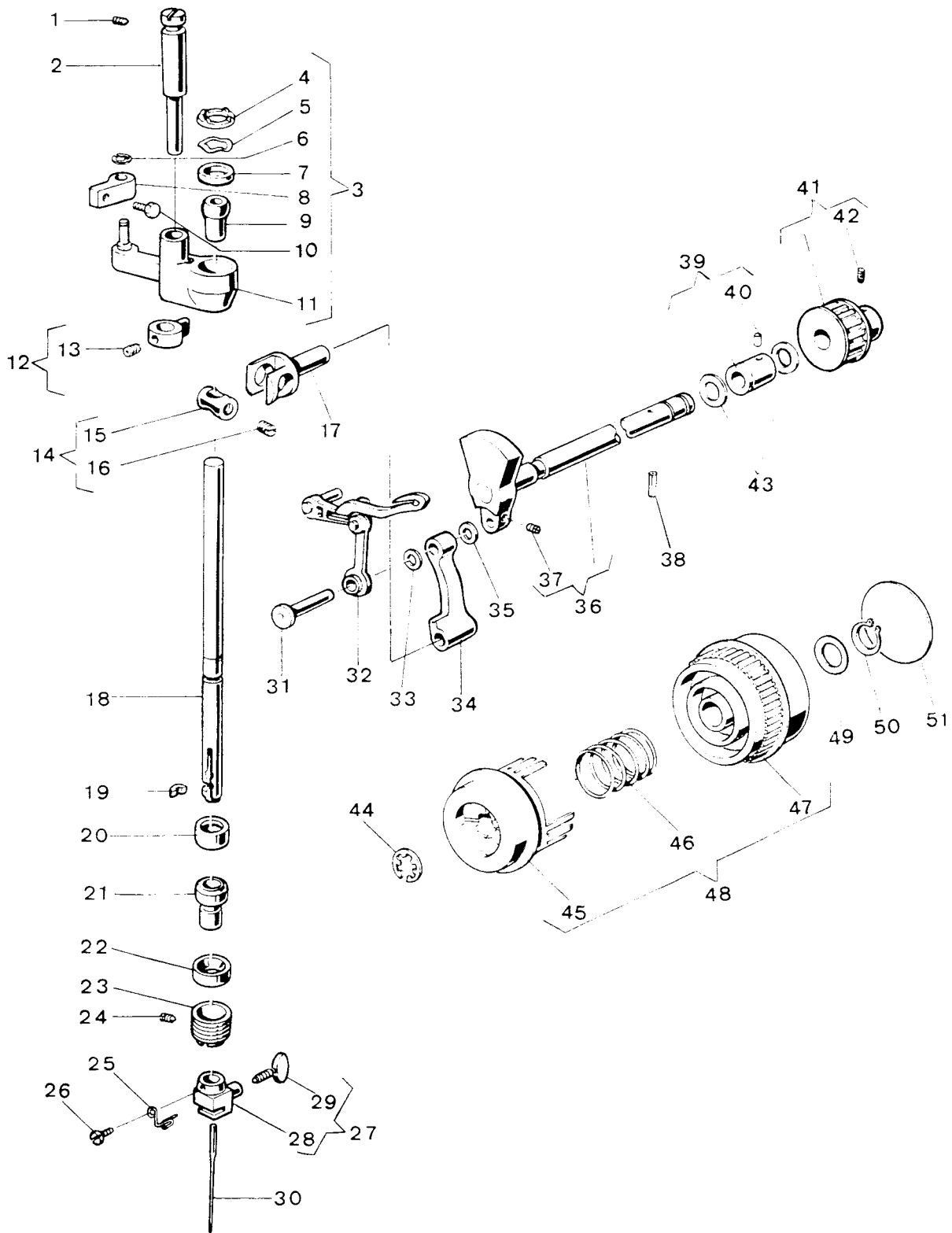
REF. N.	PART. N°	PART DESCRIPTION	2105	2118	2114	2112	2110	2108	2106	2102
1	139910	Arm front cover screw (upper left)	•	•	•	•	•	•	•	•
2	423173-451 •	Arm front cover cap (USA/Canada)	•	•	•	•	•	•	•	•
	423173-452 *	Arm front cover cap (Europe-UK/Scandinavia/Australia/Japan)								•
3	423174-451 •	Arm front cover cap	•							
	423174-452 *	Arm front cover cap	•							
4	423175-451 •	Arm front cover cap							•	
	423175-452 *	Arm front cover cap							•	
5	423176-451 •	Arm front cover cap						•		
	423176-452 *	Arm front cover cap						•		
6	423177-451 •	Arm front cover cap					•			
	423177-452 *	Arm front cover cap					•			
7	423178-451 •	Arm front cover cap				•				
	423178-452 *	Arm front cover cap				•				
8	423179-451 •	Arm front cover cap			•					
	423179-452 *	Arm front cover cap			•					
9	423180-451 •	Arm front cover cap		•						
	423180-452 *	Arm front cover cap		•						
10	423164-451	Face plate cap	•	•	•	•	•	•	•	•
11	514727-451	Face plate screw	•	•	•	•	•	•	•	•
12	139910	Arm front cover screw	•	•	•	•	•	•	•	•
13	37969	Arm front cover screw washer (upper left)	•	•	•	•	•	•	•	•

• Suffix 451 (USA/Canada)
 * Suffix 452 (Europe-UK/Scandinavia/Australia/Japan)

CLOTH PLATE



NEEDLE BAR and DRIVE MECHANISM

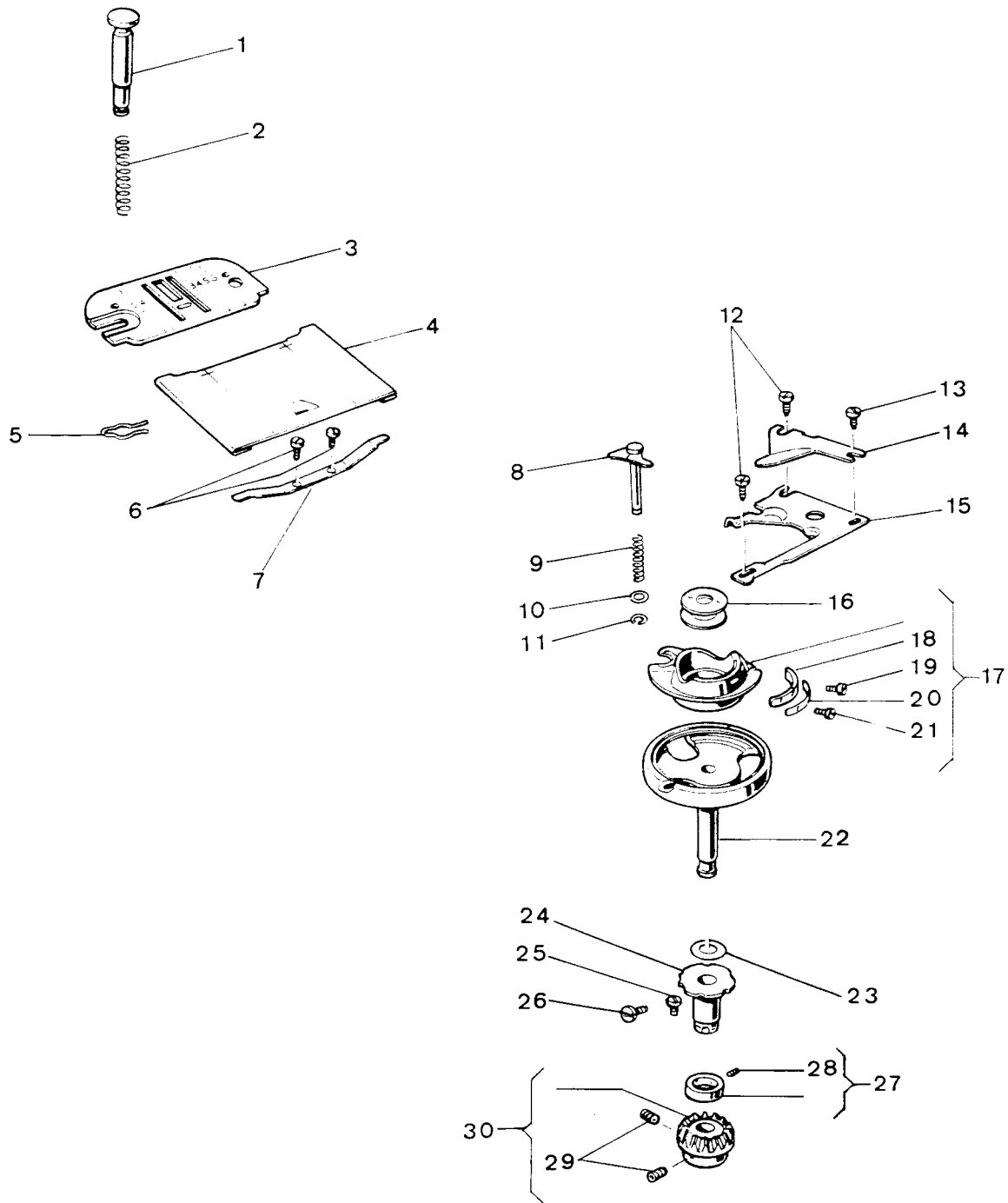


LIST OF PARTS FOR MACHINES 2100 SERIES

4

REF. N.	PART. N°	PART DESCRIPTION	2105	2118	2114	2112	2110	2108	2106	2102
1	141916	Screw	•	•	•	•	•	•	•	•
2	447863	Hinge pin eccentric	•	•	•	•	•	•	•	•
3	447872	Needle bar vibrating bracket cpl.	•	•	•	•	•	•	•	•
4	422320-000	Retaining ring	•	•	•	•	•	•	•	•
5	502354-000	Washer	•	•	•	•	•	•	•	•
6	507343	Retaining ring	•	•	•	•	•	•	•	•
7	507379-001	Ball bushing (upper) socket	•	•	•	•	•	•	•	•
8	37934-000	Bracket	•	•	•	•	•	•	•	•
9	37927-002	Ball bushing (upper)	•	•	•	•	•	•	•	•
10	354621-451	Screw	•	•	•	•	•	•	•	•
11	447780	Vibrating bracket with hinge pin	•	•	•	•	•	•	•	•
12	44673	Hinge pin (eccentric) collar	•	•	•	•	•	•	•	•
13	141940	Set screw	•	•	•	•	•	•	•	•
14	37932	Needle bar connecting stud hinge pin cpl.	•	•	•	•	•	•	•	•
15	37931	Needle bar connecting stud hinge pin	•	•	•	•	•	•	•	•
16	141916	Set screw	•	•	•	•	•	•	•	•
17	37930	Needle bar connecting stud	•	•	•	•	•	•	•	•
18	352912	Needle bar	•	•	•	•	•	•	•	•
19	37943	Needle bar gib	•	•	•	•	•	•	•	•
20	44450	Ball bushing (lower) socket (upper)	•	•	•	•	•	•	•	•
21	37927-002	Ball bushing (lower)	•	•	•	•	•	•	•	•
22	507379-001	Ball bushing (lower) socket (lower)	•	•	•	•	•	•	•	•
23	44473	Ball bushing (lower) adjusting screw	•	•	•	•	•	•	•	•
24	141803	Set screw	•	•	•	•	•	•	•	•
25	319721	Needle clamp thread guide	•	•	•	•	•	•	•	•
26	141808	Screw	•	•	•	•	•	•	•	•
27	319729	Needle clamp cpl.	•	•	•	•	•	•	•	•
28	447869	Needle clamp body	•	•	•	•	•	•	•	•
29	354896-451	Needle thumb screw	•	•	•	•	•	•	•	•
30	Cat. 2045	Needle size 14 (fitted on machine)	•	•	•	•	•	•	•	•
31	422310	Thread take-up stud	•	•	•	•	•	•	•	•
32	423072	Thread take-up lever assembly	•	•	•	•	•	•	•	•
33	506164	Washer	•	•	•	•	•	•	•	•
34	352753	Needle bar connecting link	•	•	•	•	•	•	•	•
35	352754	Washer	•	•	•	•	•	•	•	•
36	423029	Arm shaft	•	•	•	•	•	•	•	•
37	354105	Thread take-up crank set screw	•	•	•	•	•	•	•	•
38	423028-451	Hand wheel clutch pin	•	•	•	•	•	•	•	•
39	353357-900	Arm shaft retaining collar cpl.	•	•	•	•	•	•	•	•
40	141916	Set screw	•	•	•	•	•	•	•	•
41	353239	Arm shaft belt drive pulley cpl.	•	•	•	•	•	•	•	•
42	141918	Arm Shaft belt drive pulley set screw	•	•	•	•	•	•	•	•
43	319764	Washer (2)	•	•	•	•	•	•	•	•
44	423032-451	Retaining ring arm shaft	•	•	•	•	•	•	•	•
45	423022-900	Hand wheel clutch (plastic)	•	•	•	•	•	•	•	•
46	423025-900	Hand wheel spring	•	•	•	•	•	•	•	•
47	423023-901	Hand wheel plastic	•	•	•	•	•	•	•	•
48	423024-452	Hand wheel assembly	•	•	•	•	•	•	•	•
49	423027-451	Hand wheel washer	•	•	•	•	•	•	•	•
50	423033-451	Retaining ring (hand wheel)	•	•	•	•	•	•	•	•
51	423217-900	Hand wheel cover plate	•	•	•	•	•	•	•	•

NEEDLE HOOK and PLATE

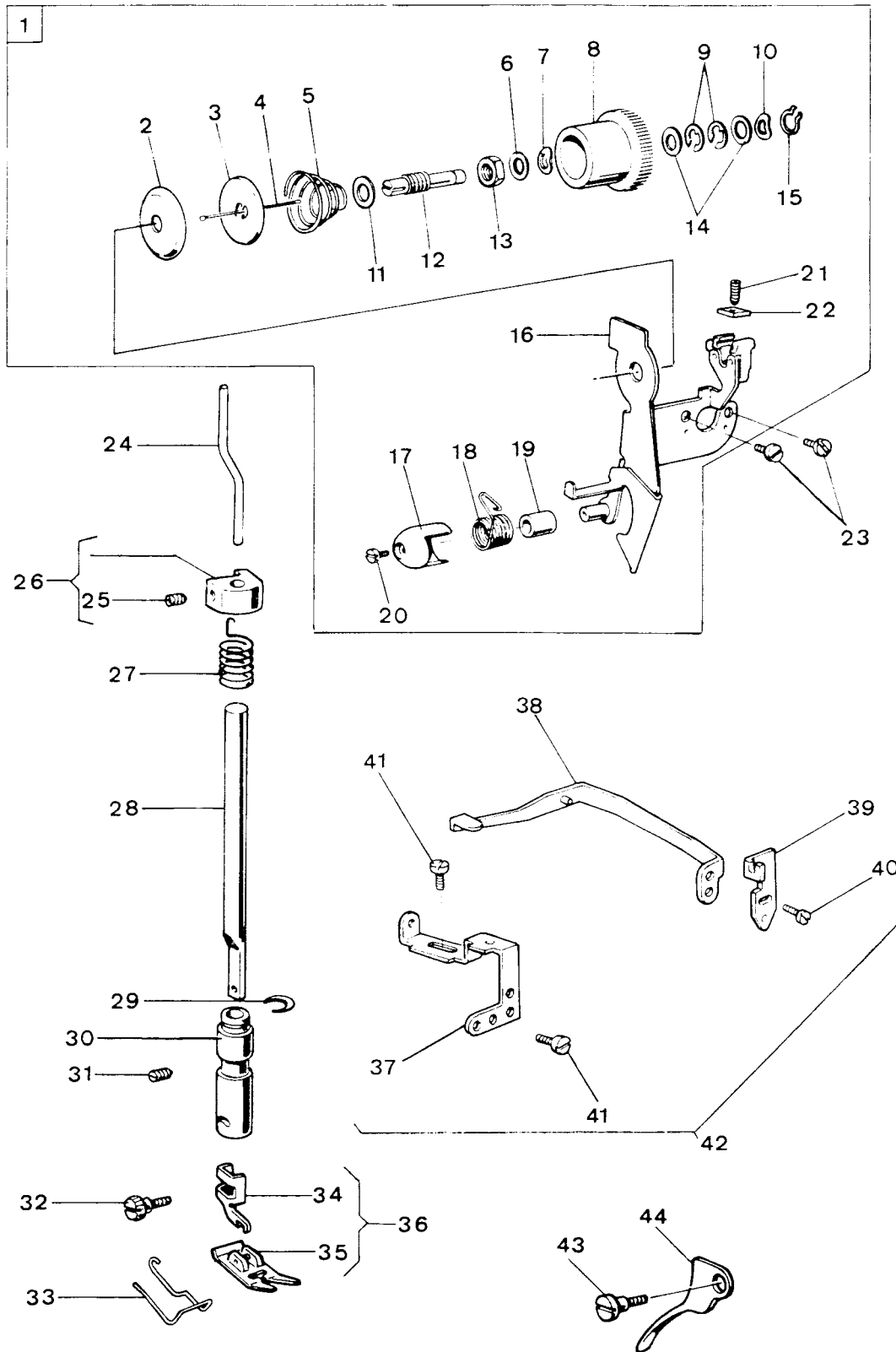


LIST OF PARTS FOR MACHINES 2100 SERIES

5

REF. N.	PART. N°	PART DESCRIPTION	2105	2118	2114	2112	2110	2108	2106	2102
1	447572	Needle plate clamp	•	•	•	•	•	•	•	•
2	153930	Needle plate clamp spring	•	•	•	•	•	•	•	•
3	447580	Needle plate	•	•	•	•	•	•	•	•
4	422229	Bed slide	•	•	•	•	•	•	•	•
5	179658	Clip	•	•	•	•	•	•	•	•
6	354134	Bed slide spring screw (2)	•	•	•	•	•	•	•	•
7	103344	Bed slide spring	•	•	•	•	•	•	•	•
8	422129	Retaining plate	•	•	•	•	•	•	•	•
9	319735	Spring	•	•	•	•	•	•	•	•
10	319737—451	Washer	•	•	•	•	•	•	•	•
11	319736	Clip	•	•	•	•	•	•	•	•
12	354229—451	Position plate screw (2)	•	•	•	•	•	•	•	•
13	354227—451	Position plate screw	•	•	•	•	•	•	•	•
14	381903	Retaining plate (adjustable)	•	•	•	•	•	•	•	•
15	44873	Position plate	•	•	•	•	•	•	•	•
16	172336	Bobbin (plastic)	•	•	•	•	•	•	•	•
17	421325	Bobbin case cpl.	•	•	•	•	•	•	•	•
18	310884—452	Tension spring segment	•	•	•	•	•	•	•	•
19	139975	Tension spring segment screw	•	•	•	•	•	•	•	•
20	310883	Tension spring	•	•	•	•	•	•	•	•
21	354183—451	Tension regulating screw	•	•	•	•	•	•	•	•
22	353200	Rotating hook	•	•	•	•	•	•	•	•
23	506164	Washer	•	•	•	•	•	•	•	•
24	353237	Flanged bushing (Eccentric)	•	•	•	•	•	•	•	•
25	354133—451	Position screw	•	•	•	•	•	•	•	•
26	514689—451	Bushing set screw	•	•	•	•	•	•	•	•
27	116084	Rotating hook collar	•	•	•	•	•	•	•	•
28	114312	Collar set screw	•	•	•	•	•	•	•	•
29	514556—451	Bevel gear set screw (2)	•	•	•	•	•	•	•	•
30	103361—002	Bevel gear cpl.	•	•	•	•	•	•	•	•

PRESSER BAR and TENSION

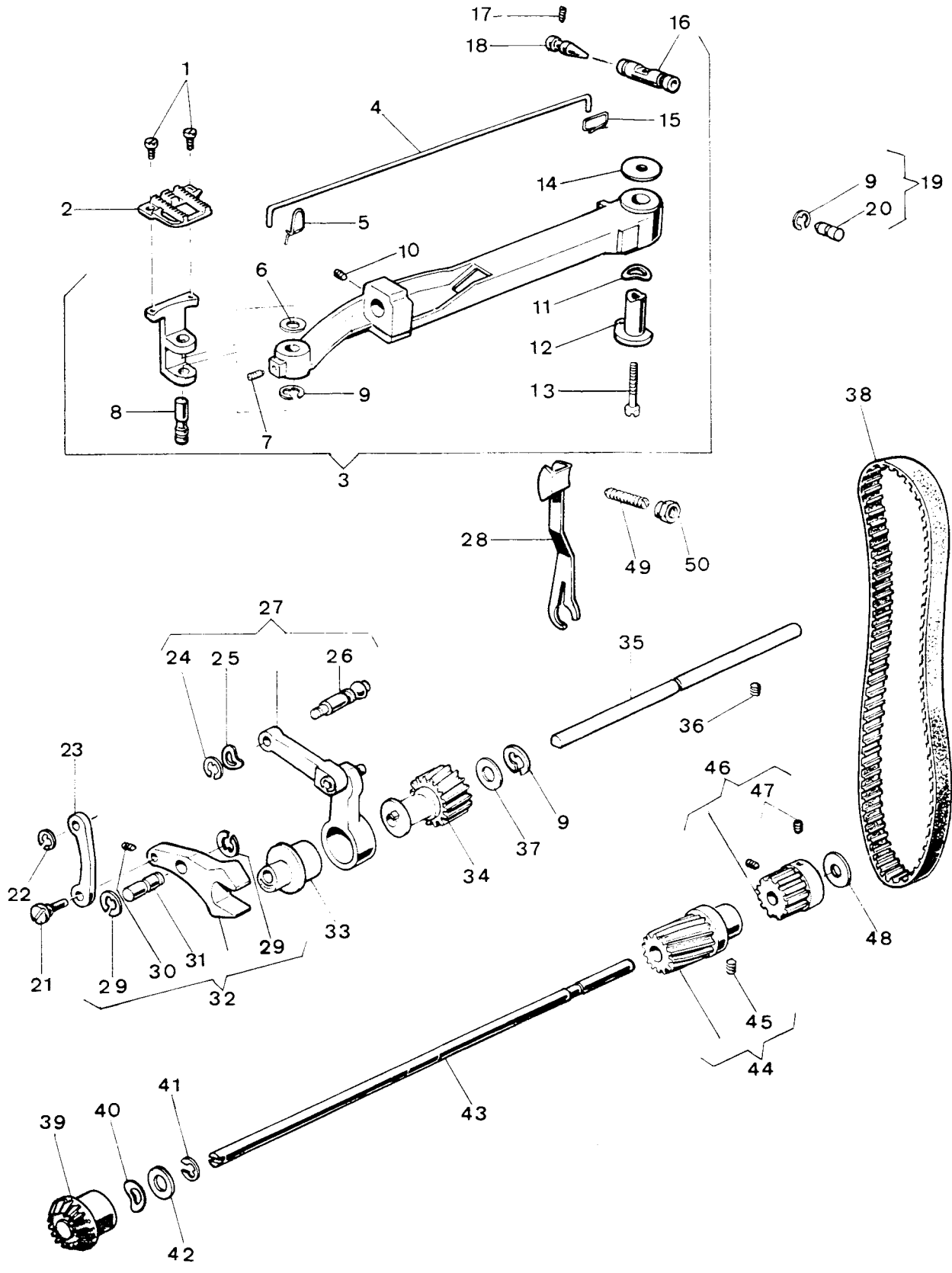


LIST OF PARTS FOR MACHINES 2100 SERIES

6

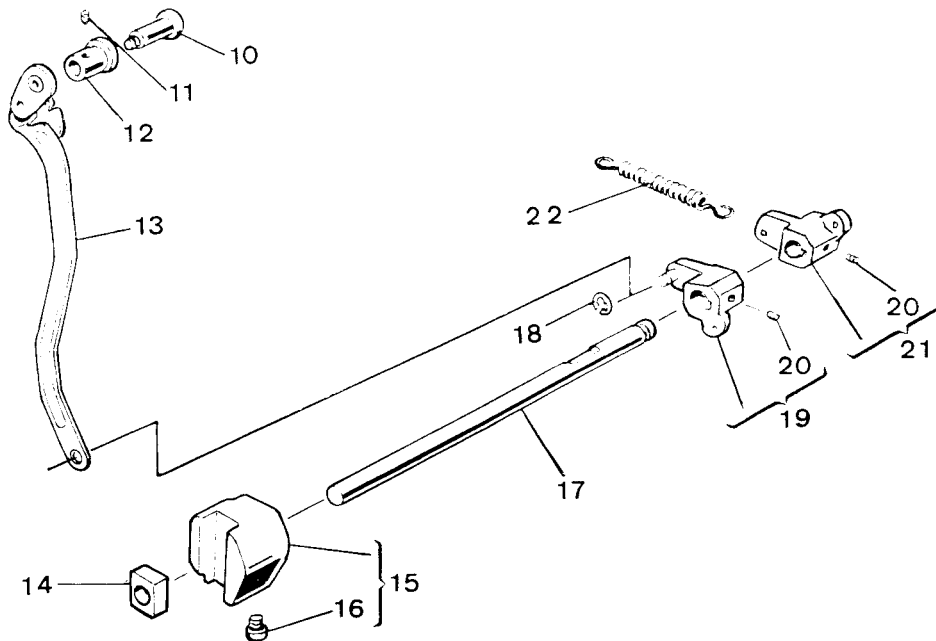
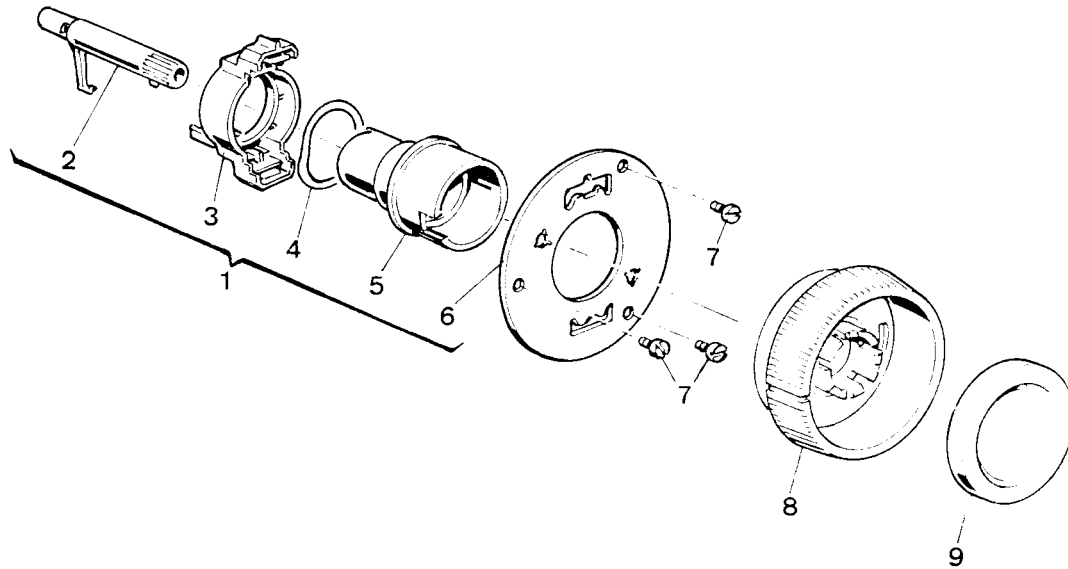
REF. N.	PART. N°	PART DESCRIPTION	2105	2118	2114	2112	2110	2108	2106	2102
1	423084	Tension cpl.	•	•	•	•	•	•	•	•
2	2102	Tension disc	•	•	•	•	•	•	•	•
3	413554	Tension spring cup	•	•	•	•	•	•	•	•
4	413561	Tension releasing pin	•	•	•	•	•	•	•	•
5	423225	Tension spring	•	•	•	•	•	•	•	•
6	421988	Tension dial retaining washer	•	•	•	•	•	•	•	•
7	543837—001	Tension dial wave washer	•	•	•	•	•	•	•	•
8	423081—451	Tension dial hot stamped	•	•	•	•	•	•	•	•
9	313487	Tension dial retaining ring	•	•	•	•	•	•	•	•
10	543837—001	Tension dial wave washer	•	•	•	•	•	•	•	•
11	543531	Thread take-up stud thrust washer	•	•	•	•	•	•	•	•
12	423082—900	Tension stud	•	•	•	•	•	•	•	•
13	541194	Tension indicator adaptor nut	•	•	•	•	•	•	•	•
14	421988	Tension dial retaining washer	•	•	•	•	•	•	•	•
15	423125—451	Tension dial wave washer retaining ring	•	•	•	•	•	•	•	•
16	423006—900	Tension disc thread guide fork	•	•	•	•	•	•	•	•
17	181861	Thread take-up spring regulator	•	•	•	•	•	•	•	•
18	181872	Thread take-up tension spring	•	•	•	•	•	•	•	•
19	182077—900	Tension spring positioning collar	•	•	•	•	•	•	•	•
20	544004	Thread take-up spring regulator set screw	•	•	•	•	•	•	•	•
21	113431—451	Tension stud set screw	•	•	•	•	•	•	•	•
22	53640	Tension stud set screw nut	•	•	•	•	•	•	•	•
23	113367—451	Tension thread guide set screw	•	•	•	•	•	•	•	•
24	423009—900	Tension releasing pin	•	•	•	•	•	•	•	•
25	354420—451	Set screw	•	•	•	•	•	•	•	•
26	44444—001	Presser bar guide bracket cpl.	•	•	•	•	•	•	•	•
27	447583	Presser bar spring	•	•	•	•	•	•	•	•
28	447582	Presser bar	•	•	•	•	•	•	•	•
29	447585	Retaining ring	•	•	•	•	•	•	•	•
30	447584	Presser bar bushing	•	•	•	•	•	•	•	•
31	141803	Bushing set screw	•	•	•	•	•	•	•	•
32	354135—451	Presser foot thumb screw	•	•	•	•	•	•	•	•
33	116863	Finger guard (Europe only)	•	•	•	•	•	•	•	•
34	155964—892	Presser bar shank	•	•	•	•	•	•	•	•
35	447806—451	Presser foot zig-zag	•	•	•	•	•	•	•	•
36	447608	Presser foot cpl.	•	•	•	•	•	•	•	•
37	423050—900	Tension bracket	•	•	•	•	•	•	•	•
38	423012—900	Tension releasing lever assembly	•	•	•	•	•	•	•	•
39	423013—900	Tension releasing adjustment assembly	•	•	•	•	•	•	•	•
40	113348—451	Tension releasing adjustment bracket set screw	•	•	•	•	•	•	•	•
41	354799—451	Tension bracket set screw	•	•	•	•	•	•	•	•
42	423051—451	Tension bracket with tension releasing adjustment	•	•	•	•	•	•	•	•
43	141846	Hinge screw	•	•	•	•	•	•	•	•
44	423049—451	Presser bar lifter	•	•	•	•	•	•	•	•

ALPHA FEED and DRIVE MECHANISM



LIST OF PARTS FOR MACHINES 2100 SERIES

REF. N.	PART. N°	PART DESCRIPTION	2105	2118	2114	2112	2110	2108	2106	2102
1	141920-451	Feed dog screw (2)	●	●	●	●	●	●	●	●
2	447581	Feed dog	●	●	●	●	●	●	●	●
3	422385	Feed bar cpl.	●	●	●	●	●	●	●	●
4	422335-001	Compensating link	●	●	●	●	●	●	●	●
5	422561-000	Retaining spring	●	●	●	●	●	●	●	●
6	511210	Washer	●	●	●	●	●	●	●	●
7	544100	Screw	●	●	●	●	●	●	●	●
8	511052	Stud	●	●	●	●	●	●	●	●
9	511213	Retaining ring	●	●	●	●	●	●	●	●
10	354983-451	Set screw	●	●	●	●	●	●	●	●
11	511211	Washer	●	●	●	●	●	●	●	●
12	422340-001	Bushing	●	●	●	●	●	●	●	●
13	514744-451	Feed bar guide pin screw	●	●	●	●	●	●	●	●
14	422338	Washer	●	●	●	●	●	●	●	●
15	422337-000	Retaining spring	●	●	●	●	●	●	●	●
16	422383	Feed bar guide pin	●	●	●	●	●	●	●	●
17	514556-451	Set screw	●	●	●	●	●	●	●	●
18	507917	Feed bar guide pin centre (black)	●	●	●	●	●	●	●	●
19	502310	Feed bar guide pin centre cpl. (front)	●	●	●	●	●	●	●	●
20	502309	Feed bar guide pin centre (front)	●	●	●	●	●	●	●	●
21	511056	Hinge stud (eccentric)	●	●	●	●	●	●	●	●
22	507063	Retaining ring	●	●	●	●	●	●	●	●
23	511016	Feed lifting fork connection	●	●	●	●	●	●	●	●
24	44472	Retaining ring	●	●	●	●	●	●	●	●
25	422388	Washer	●	●	●	●	●	●	●	●
26	422345	Hinge stud (eccentric)	●	●	●	●	●	●	●	●
27	422347	Drive connection	●	●	●	●	●	●	●	●
28	421875	Belt tension adjuster lever	●	●	●	●	●	●	●	●
29	511213	Retaining ring	●	●	●	●	●	●	●	●
30	514685-451	Set screw	●	●	●	●	●	●	●	●
31	511057	Hinge stud	●	●	●	●	●	●	●	●
32	103775	Feed lifting fork cpl.	●	●	●	●	●	●	●	●
33	447899	Feed eccentric	●	●	●	●	●	●	●	●
34	422325	Feed drive shaft gear cpl.	●	●	●	●	●	●	●	●
35	422324	Feed drive shaft	●	●	●	●	●	●	●	●
36	514556-451	Set screw	●	●	●	●	●	●	●	●
37	116073	Drive shaft washer	●	●	●	●	●	●	●	●
38	423107-001	Drive shaft belt	●	●	●	●	●	●	●	●
39	422395	Drive shaft bevel gear	●	●	●	●	●	●	●	●
40	507722	Rotating hook drive shaft spring washer	●	●	●	●	●	●	●	●
41	511213	Retaining ring	●	●	●	●	●	●	●	●
42	116073	Drive shaft washer	●	●	●	●	●	●	●	●
43	422394	Rotating hook drive shaft	●	●	●	●	●	●	●	●
44	422408	Drive shaft gear cpl.	●	●	●	●	●	●	●	●
45	514556-451	Set screw	●	●	●	●	●	●	●	●
46	352871	Drive shaft gear	●	●	●	●	●	●	●	●
47	354774-451	Set screw (2)	●	●	●	●	●	●	●	●
48	421356	Damping washer	●	●	●	●	●	●	●	●
49	514731	Belt tension adjustment lever screw	●	●	●	●	●	●	●	●
50	514732-451	Belt tension adjustment lever lock nut	●	●	●	●	●	●	●	●

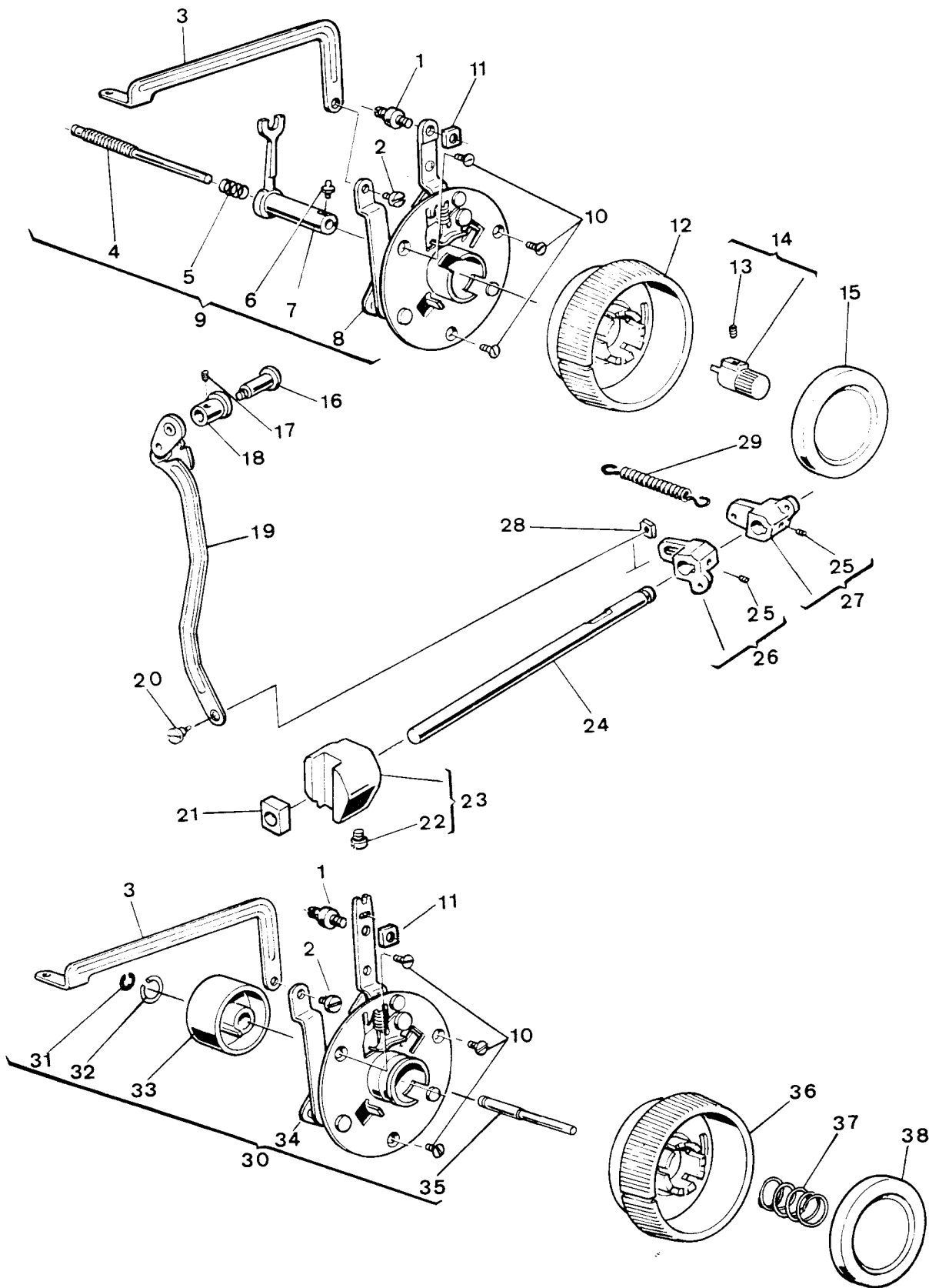


LIST OF PARTS FOR MACHINES 2100 SERIES

8

REF. N.	PART. N°	PART DESCRIPTION	2105	2118	2114	2112	2110	2108	2106	2102
1	447892	Feed regulator cpl.	●
2	447777	Positioning pin	●
3	422237	Feed regulator cam	●
4	422238	Friction spring	●
5	447792-901	Feed regulator cam	●
6	446932	Mounting plate	●
7	354799	Mounting plate screw (3)	●
8	423140-451	Control dial	●
9	423142-451	Reverse feed push button	●
10	354733-451	Hinge screw	●
11	141803	Set screw	●
12	352801	Hinge screw bushing	●
13	422217	Feed regulator control arm	●
14	511030	Slide block	●
15	511484-901	Feed regulator cpl.	●
16	353126-451	Feed regulator set screw	●
17	422214	Feed regulator shaft	●
18	507063	Retaining ring	●
19	422210	Feed regulator	●
20	514509	Set screw	●
21	422209	Feed regulator	●
22	353188	Tension spring	●

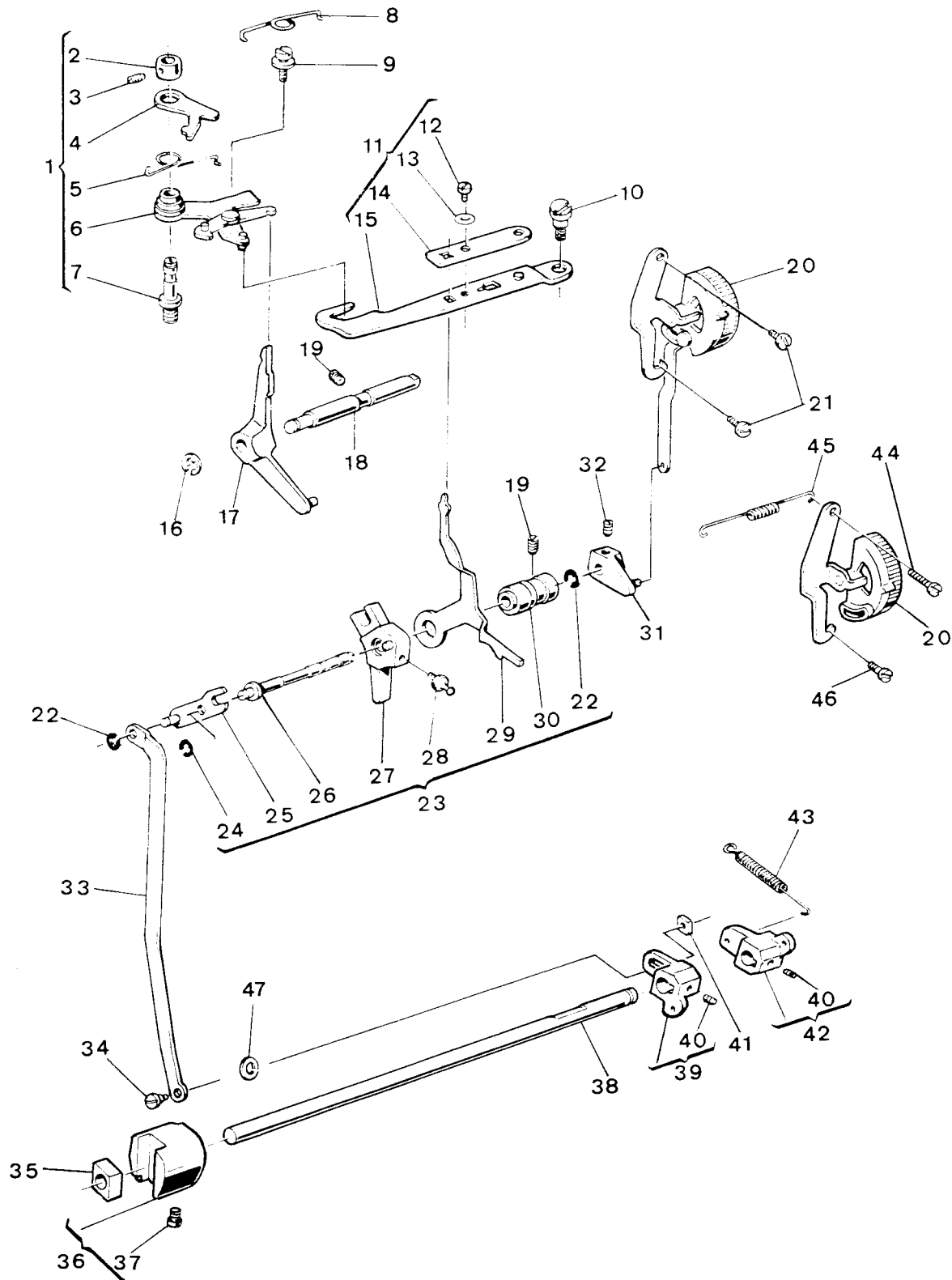
BUTTONHOLER and FEED REGULATOR



LIST OF PARTS FOR MACHINES 2100 SERIES

9

REF. N.	PART. N°	PART DESCRIPTION	2105	2118	2114	2112	2110	2108	2106	2102
1	514745-451	Bearing screw	•	•	•	•	•	•	•	•
2	139866	Hinge screw	•	•	•	•	•	•	•	•
3	421926	Right control lever pin	•	•	•	•	•	•	•	•
4	447781	Feed regulator positioning pin	•							
5	446896	Friction spring	•							
6	352583	Reverse feed cam follower	•							
7	446916-901	Feed regulator positioning pin carrier	•							
8	423160	Buttonholer and feed control mechanism bracket	•							
9	423155	Buttonholer and feed regulator cpl.	•							
10	139868	Screw (3)	•	•	•	•	•	•	•	•
11	514698-451	Nut	•	•	•	•	•	•	•	•
12	423140-452	Control dial	•							
13	514645-451	Screw	•							
14	447767-451	Feed regulator positioning pin knob	•							
15	423207-451	Reverse feed push button (For USA)	•							
	423208-451	Reverse feed push button (For Europe)	•							
16	354733-451	Hinge screw	•							
17	141803	Set screw	•							
18	352801	Hinge screw bushing	•							
19	422217	Feed regulator control arm	•							
20	353190	Screw	•							
21	511030	Slide block	•							
22	353126-451	Feed regulator set screw	•							
23	511484-901	Feed regulator cpl.	•							
24	422214	Feed regulator shaft	•							
25	514509	Set screw	•							
26	422212	Feed regulator	•							
27	422209	Feed regulator	•							
28	514698-451	Nut	•							
29	353188	Tension spring	•							
30	423156	Buttonholer and feed regulator cpl.		•	•	•	•	•	•	•
31	507063	Retaining ring		•	•	•	•	•	•	•
32	421925	Retaining ring		•	•	•	•	•	•	•
33	447939	Feed regulator cam		•	•	•	•	•	•	•
34	423159-900	Buttonholer and feed control mechanism bracket cpl.		•	•	•	•	•	•	•
35	421935	Reverse feed pin		•	•	•	•	•	•	•
36	423140-451	Control dial				•	•			
	423140-452	Control dial		•	•			•	•	
37	421934	Pressure spring		•	•	•	•	•	•	•
38	423209-451	Reverse feed push button (For USA)						•	•	•
	423141-451	Reverse feed push button (For Europe)						•	•	•
	423210-451	Reverse feed push button (For USA and Europe)				•	•			
	423141-451	Reverse feed push button (For USA and Europe)		•	•					

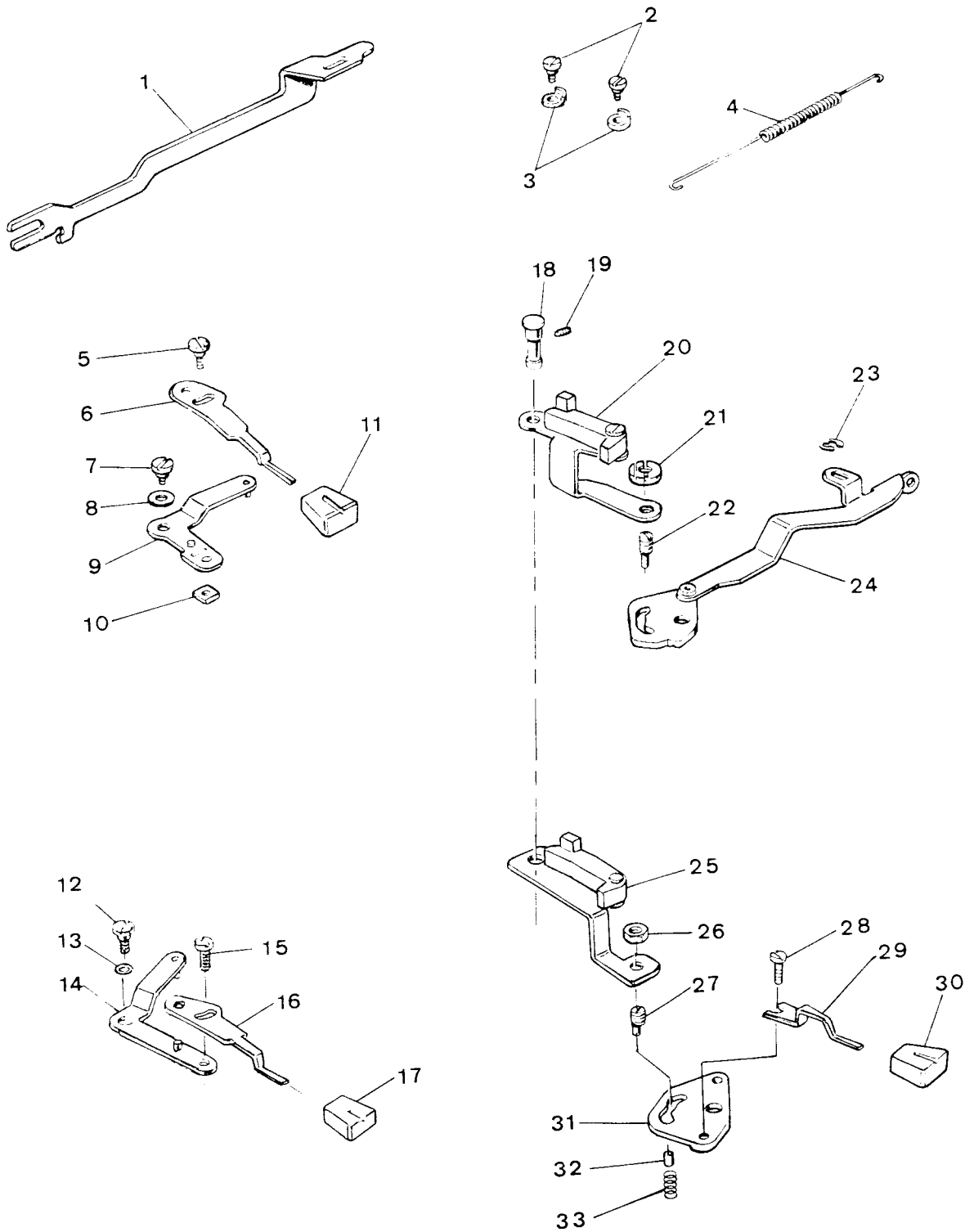


LIST OF PARTS FOR MACHINES 2100 SERIES

10

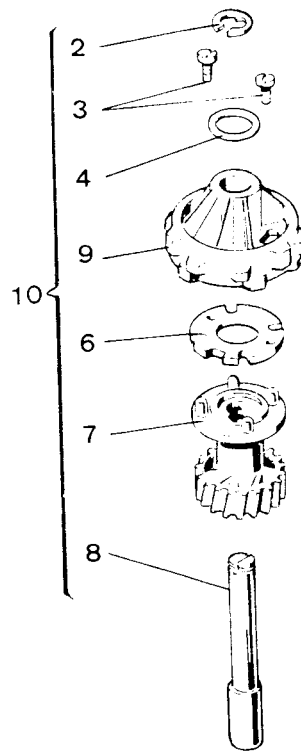
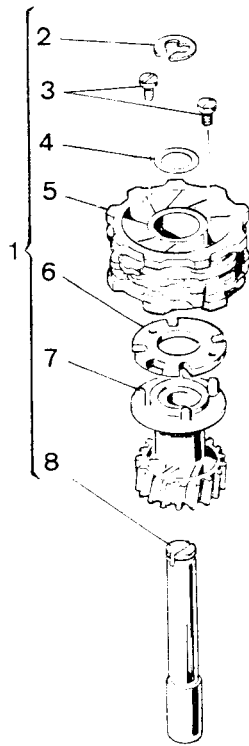
REF. N.	PART. N°	PART DESCRIPTION	2105	2118	2114	2112	2110	2108	2106	2102
1	421997	Cam feed disc drive lever	•	•	•	•	•	•	•	•
2	353033	Feed shaft drive collar	•	•	•	•	•	•	•	•
3	141940—451	Set screw	•	•	•	•	•	•	•	•
4	421130	Cam feed disc follower	•	•	•	•	•	•	•	•
5	421138	Torsion spring	•	•	•	•	•	•	•	•
6	421133	Cam feed disc drive lever cpl.	•	•	•	•	•	•	•	•
7	421131	Bearing stud	•	•	•	•	•	•	•	•
8	423184—900	Tension spring	•	•	•	•	•	•	•	•
9	421136—900	Torsion spring	•	•	•	•	•	•	•	•
10	423188—451	Hinge screw	•	•	•	•	•	•	•	•
11	423187	Clutch lever cpl.	•	•	•	•	•	•	•	•
12	514554—451	Screw	•	•	•	•	•	•	•	•
13	319775—850	Washer	•	•	•	•	•	•	•	•
14	423185—900	Adjusting lever	•	•	•	•	•	•	•	•
15	423186—900	Clutch lever	•	•	•	•	•	•	•	•
16	511213	Retaining ring	•	•	•	•	•	•	•	•
17	421941	Transmission lever cpl.	•	•	•	•	•	•	•	•
18	421129	Transmission lever shaft (eccentric)	•	•	•	•	•	•	•	•
19	141803	Set screw	•	•	•	•	•	•	•	•
20	447563—453	Feed balancing bracket cpl.	•	•	•	•	•	•	•	•
	447563—454	Feed balancing bracket cpl.	•	•	•	•	•	•	•	•
21	354084	Screw (2)	•	•	•	•	•	•	•	•
22	507309	Retaining ring	•	•	•	•	•	•	•	•
23	423153	Bearing stud cpl.	•	•	•	•	•	•	•	•
24	507343	Retaining ring	•	•	•	•	•	•	•	•
25	423139	Adjusting lever cpl.	•	•	•	•	•	•	•	•
26	421863	Bearing stud	•	•	•	•	•	•	•	•
27	421856	Feed regulator control arm	•	•	•	•	•	•	•	•
28	421857	Feed regulator control arm (ball)	•	•	•	•	•	•	•	•
29	421929	Actuating lever	•	•	•	•	•	•	•	•
30	421978	Eccentric bushing	•	•	•	•	•	•	•	•
31	421956	Driving arm eccentric	•	•	•	•	•	•	•	•
32	354085—451	Set screw	•	•	•	•	•	•	•	•
33	421931	Connection link	•	•	•	•	•	•	•	•
34	422244	Screw	•	•	•	•	•	•	•	•
35	511030	Slide block	•	•	•	•	•	•	•	•
36	511484—901	Feed regulator cpl.	•	•	•	•	•	•	•	•
37	353126—451	Feed regulator set screw	•	•	•	•	•	•	•	•
38	422214	Feed regulator shaft	•	•	•	•	•	•	•	•
39	422212	Feed regulator	•	•	•	•	•	•	•	•
40	514509	Set screw	•	•	•	•	•	•	•	•
41	514698—451	Nut	•	•	•	•	•	•	•	•
42	422209	Feed regulator	•	•	•	•	•	•	•	•
43	421959	Tension spring	•	•	•	•	•	•	•	•
44	139938	Screw	•	•	•	•	•	•	•	•
45	37942	Tension spring	•	•	•	•	•	•	•	•
46	354084	Screw (1)	•	•	•	•	•	•	•	•
47	313190—451	Connection link set screw washer	•	•	•	•	•	•	•	•

BIGHT AMPLITUDE and NEEDLE POSITION



LIST OF PARTS FOR MACHINES 2100 SERIES

REF. N.	PART. N°	PART DESCRIPTION	2105	2118	2114	2112	2110	2108	2106	2102
1	37933	Needle bar driving arm	•	•	•	•	•	•	•	•
2	141787	Stop screw (2)	•	•	•	•	•	•	•	•
3	37248	Control lever link stop (2)	•	•	•	•	•	•	•	•
4	447874	Tension spring	•	•	•	•	•	•	•	•
5	514730—451	Screw	•	•	•	•	•	•	•	•
6	423144—900	Bight amplitude control lever	•	•	•	•	•	•	•	•
7	141786	Hinge screw	•	•	•	•	•	•	•	•
8	49204—452	Friction washer	•	•	•	•	•	•	•	•
9	421984	Control lever link	•	•	•	•	•	•	•	•
10	514707	Nut	•	•	•	•	•	•	•	•
11	423143—452	Control lever knob				•	•			
	423143—453	Control lever knob	•	•	•					
	423215—451	Control lever knob						•	•	
12	141786	Hinge screw								•
13	446737	Friction washer								•
14	37246	Control lever link								•
15	139943—803	Screw								•
16	423144—900	Bight amplitude control lever								•
17	423143—452	Control lever knob								•
18	179792	Hinge stud	•	•	•	•	•	•	•	•
19	354196—451	Set screw	•	•	•	•	•	•	•	•
20	319798	Slide bracket	•					•	•	
	421886	Slide bracket		•	•	•	•			
21	53641	Eccentric screw stud nut	•					•	•	
	179739—451	Eccentric screw stud nut		•	•	•	•			
22	44471	Eccentric screw stud	•	•	•	•	•	•	•	
23	507063	Retaining ring	•	•	•	•	•	•	•	
24	447559	Needle position selector lever	•	•	•	•	•	•	•	
25	319798	Slide bracket								•
26	53641	Eccentric screw stud nut								•
27	44471	Eccentric screw stud								•
28	141913	Screw								•
29	423145—900	Needle position selector lever								•
30	423143—452	Control lever knob								•
31	447558	Bracket								•
32	37955	Positioning pin	•	•	•	•	•	•	•	•
33	37956	Positioning pin spring	•	•	•	•	•	•	•	•

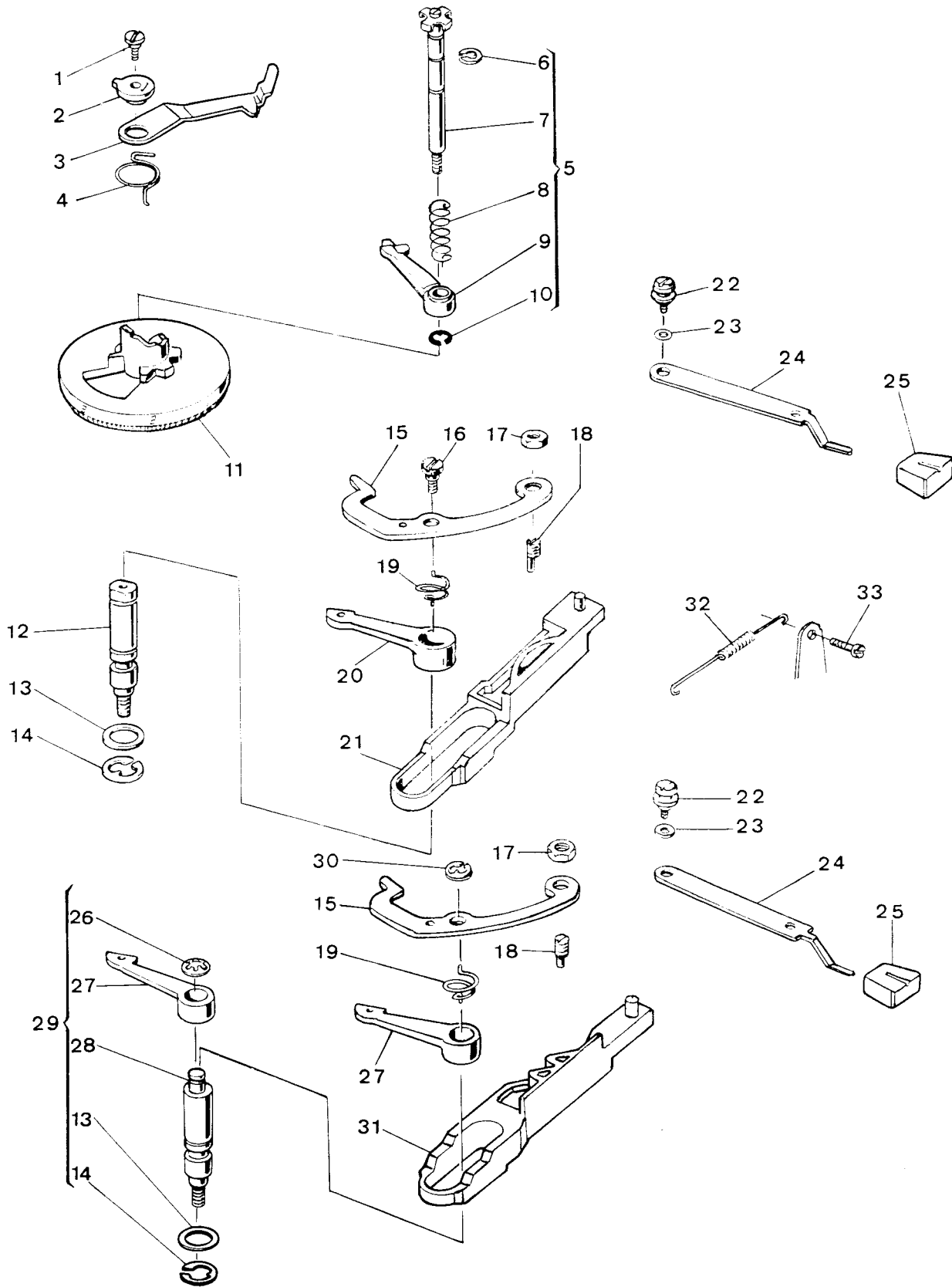


LIST OF PARTS FOR MACHINES 2100 SERIES

12

REF. N.	PART. N°	PART DESCRIPTION	2105	2118	2114	2112	2110	2108	2106	2102
1	447864	Disc driving gear cpl.			•	•	•	•		
	447865	Disc driving gear cpl.		•						
2	422441	Retaining ring	•	•	•	•	•	•	•	•
3	422440	Disc Positioning screw (2)	•	•	•	•	•	•	•	•
4	422074	Washer	•	•	•	•	•	•	•	•
5	447859—900	Disc stack			•	•	•	•		
	447860—900	Disc stack		•						
6	422260	Disc mounting plate	•	•	•	•	•	•	•	•
7	422202	Disc driving gear	•	•	•	•	•	•	•	•
8	447546	Disc driving gear shaft	•	•	•	•	•	•	•	•
9	353174	Disc stack	•							
	422288	Disc stack							•	•
10	422080	Disc driving gear cpl.							•	•
	353175	Disc driving gear cpl.	•							

PATTERN SELECTOR

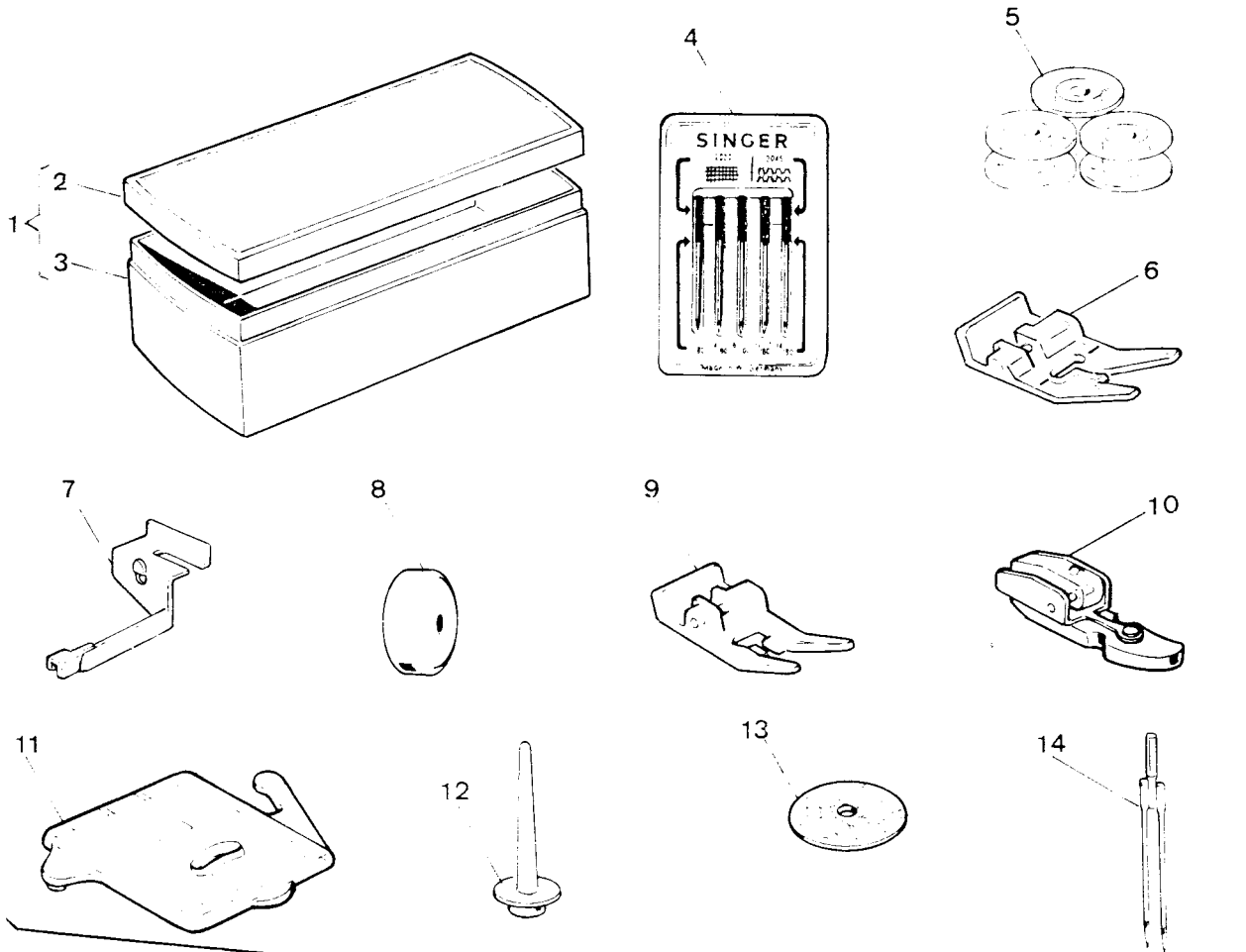


LIST OF PARTS FOR MACHINES 2100 SERIES

13

REF. N.	PART. N°	PART DESCRIPTION	2105	2118	2114	2112	2110	2108	2106	2102
1	514733-451	Bushing screw	•	•	•	•				
2	422230	Disengaging lever bushing	•	•	•	•				
3	421901	Disengaging lever	•	•	•	•				
4	421902	Disengaging lever spring	•	•	•	•				
5	447866-451	Disc follower cpl.	•	•						
	447861-451	Disc follower cpl.					•			
	421732-451	Disc follower cpl.				•				
6	421912	Crescent ring				•	•			
7	421898-000	Hinge stud				•				
	447862-451	Hinge stud	•	•						
	447862-452	Hinge stud					•			
8	421897	Disc follower spring	•	•	•	•				
9	421896	Disc follower	•	•	•	•				
10	511213	Retaining ring	•	•	•	•				
11	447831-454	Disc selector dial					•			
	447831-455	Disc selector dial				•				
	447831-456	Disc selector dial		•						
	447832-452	Disc selector dial	•							
12	37268	Disc follower stud							•	
13	37276	Disc follower washer	•					•	•	•
14	44371	Retaining ring	•					•	•	•
15	422081	Disc follower disengaging lever	•					•	•	
16	141787	Screw						•	•	
17	53641	Nut	•					•	•	
18	44471	Screw stud (eccentric)	•					•	•	
19	44419	Disc follower positioning spring	•					•	•	
20	37262	Disc follower							•	
21	422086	Disc selector cam slide							•	
22	141786	Hinge washer	•					•	•	
23	49204-452	Friction washer	•					•	•	
24	423146	Disc selector lever	•					•	•	
25	423143-453	Selector lever knob	•							
	423215-451	Selector lever knob						•	•	
26	44735	Retaining ring								•
27	37262	Disc follower	•					•	•	•
28	422426	Disc follower stud	•					•	•	•
29	422434	Disc follower stud cpl.								•
30	507063	Retaining ring	•					•		
31	423147	Disc selector cam slide						•		
	353183	Disc selector cam slide	•							
32	37942	Tension spring	•					•	•	
33	139938	Screw	•					•	•	

ATTACHMENT SET

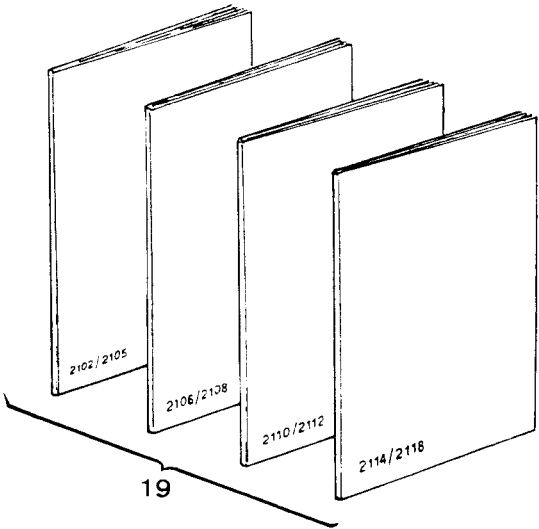


1-4-5-8 } 15
11

1-4-5-6-7 } 16
8-9-10
11

1-4-5-8 } 17
11-12-13
14

1-4-5-6-7 } 18
8-9-10-11
12-13-14

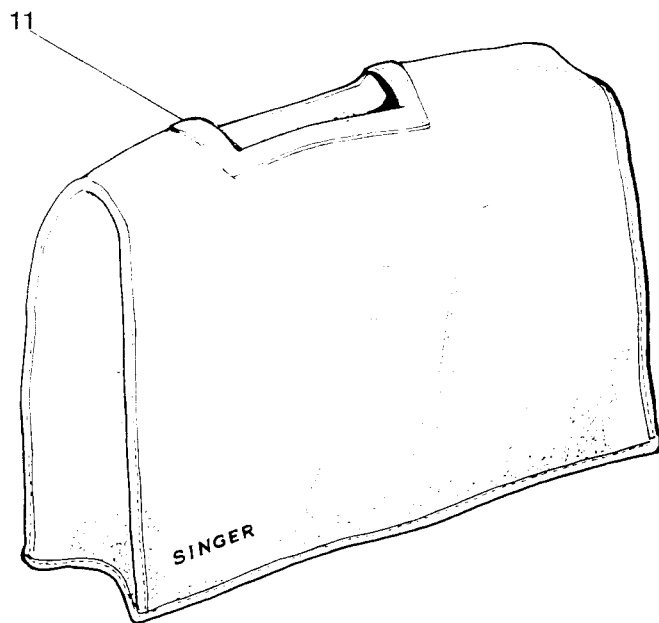
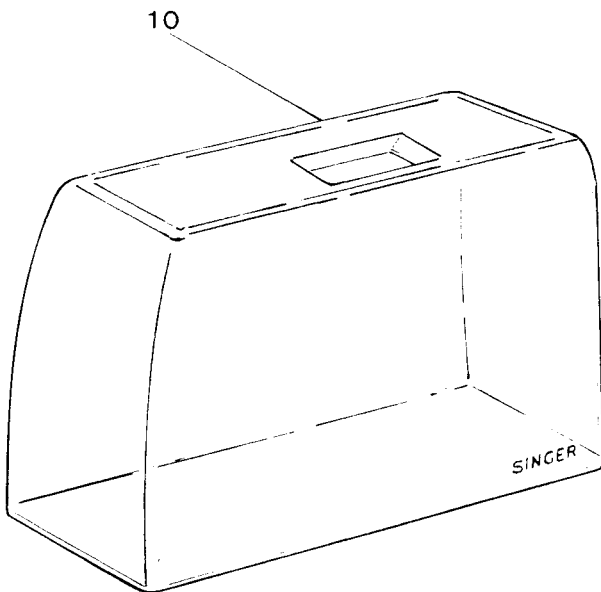
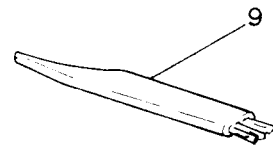
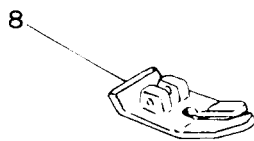
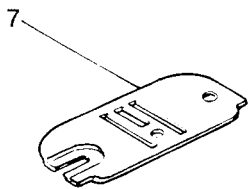
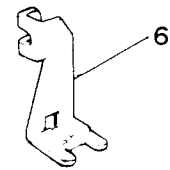
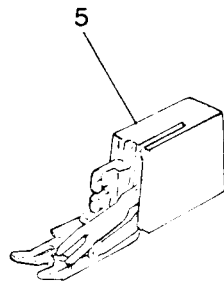
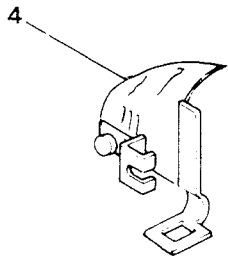
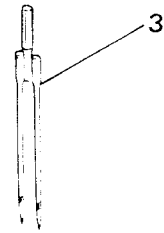
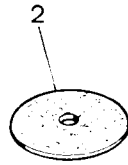
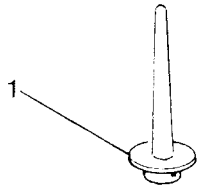


19

LIST OF PARTS FOR MACHINES 2100 SERIES

14

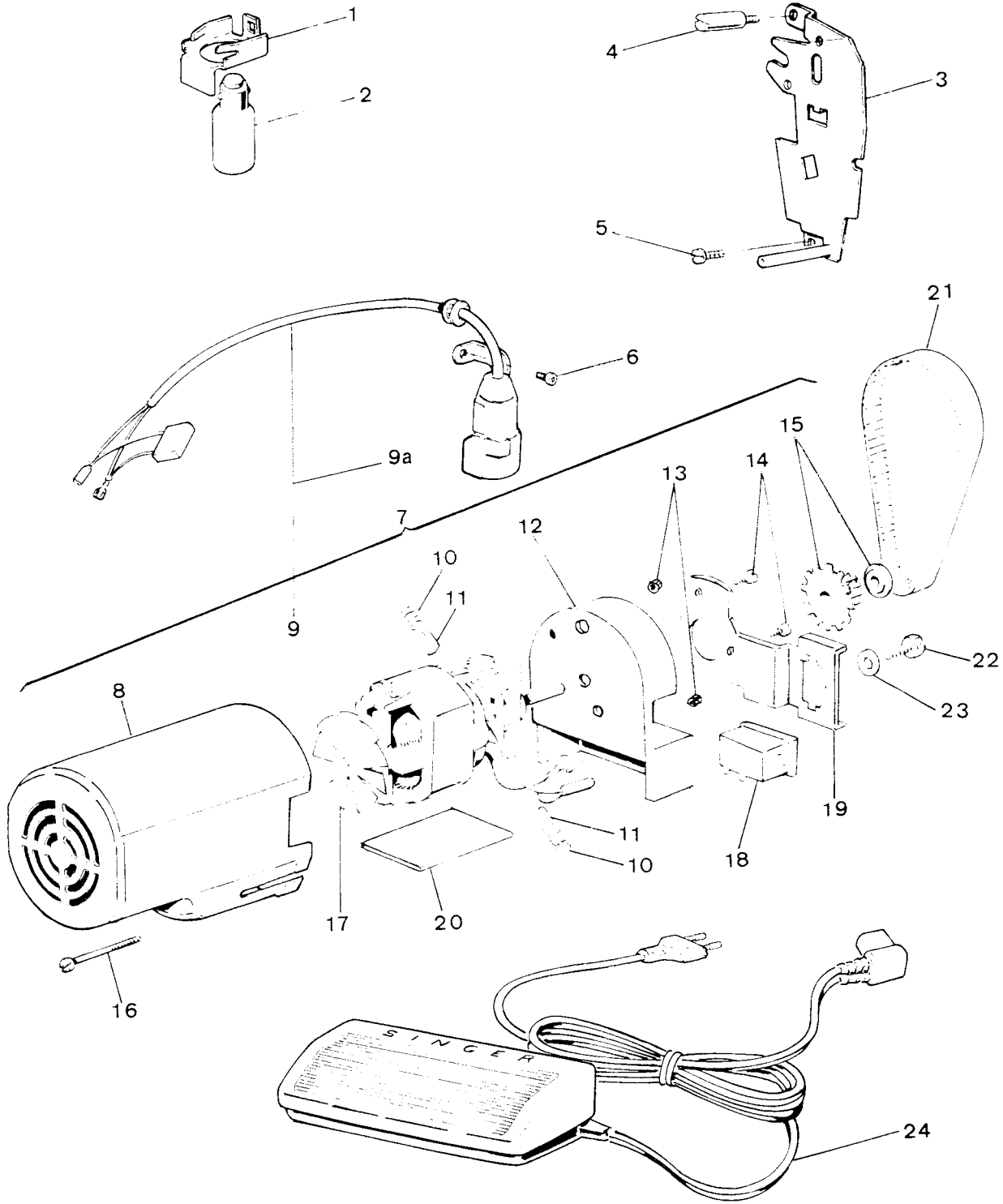
REF. N.	PART. N°	PART DESCRIPTION	2105	2118	2114	2112	2110	2108	2106	2102
1	421742—451	Attachment box	•	•	•	•	•	•	•	•
2	421743—451	Attachment box cover	•	•	•	•	•	•	•	•
3	421744—451	Attachment box case	•	•	•	•	•	•	•	•
4	353364	Needle pack (plastic) containing: cat. 2020 and cat. 2045	•	•	•	•	•	•	•	•
5	172336	Bobbins (Transparent plastic) (3)	•	•	•	•	•	•	•	•
6	161927—001	Snap-on buttonhole foot	•	•	•	•	•	•	•	•
7	381213	Blindstitch guide (For 2102 Model only as optional)	•	•	•	•	•	•	•	•
8	507664—459	Large thread spool cap	•	•	•	•	•	•	•	•
9	446492—451	Special purpose foot (For 2102 Model only as optional)	•	•	•	•	•	•	•	•
10	507836	Snap-on zipper foot (For 2102 Model only as optional)	•	•	•	•	•	•	•	•
11	381459—001	Snap-in feed cover plate	•	•	•	•	•	•	•	•
12	422250—451	Spool pin (For twin needle sewing) (Only for USA)	•	•	•	•	•	•	•	•
13	8879—454	Spool pin felt (Only for USA)	•	•	•	•	•	•	•	•
14	Cat. 2025	Twin needle (size 14/90) (Only for USA)	•	•	•	•	•	•	•	•
15	423111	Attachment set cpl.	•	•	•	•	•	•	•	•
16	423112	Attachment set cpl.	•	•	•	•	•	•	•	•
17	423226	Attachment set cpl. (Only for USA)	•	•	•	•	•	•	•	•
18	423227	Attachment set cpl. (Only for USA)	•	•	•	•	•	•	•	•
19	119726•••	Instruction books (For suffix see table below)	•	•	•	•	•	•	•	•
	119721•••	Instruction books								
	119722•••	Instruction books								
	119723•••	Instruction books								
		••• 001 English								
		003 Dutch - German - Italian								
		004 Danish								
		005 Norwegian - Swedish - Finnish								
		006 Japanese								
		008 English - French - Spanish								



LIST OF PARTS FOR MACHINES 2100 SERIES

15

REF. N.	PART. N°	PART DESCRIPTION	2105	2118	2114	2112	2110	2108	2106	2102
1	422250—451	Spool pin (For twin needle sewing)	•	•	•	•	•	•	•	
2	8679—454	Spool pin felt	•	•	•	•	•	•	•	
3	Cat. 2025	Twin needle (size 14/90)	•	•	•	•	•	•	•	
4	423239	Darning and embroidery presser foot	•	•	•	•	•	•	•	
5	423242—451	Even feed foot	•	•	•	•	•	•	•	
6	179911	Button sewing presser foot	•	•	•	•	•	•	•	
7	423134	Straight stitch throat plate	•	•	•	•	•	•	•	
8	153267	Straight stitch presser foot	•	•	•	•	•	•	•	
9	546358	Lint brush	•	•	•	•	•	•	•	
10	423102—451	Hard plastic dust cover	•	•	•	•	•	•	•	•
	423102—452	Acrylic dust cover (SEE THRU)	•	•	•	•	•	•	•	•
11	423106—451	Soft cover	•	•	•	•	•	•	•	•



LIST OF PARTS FOR MACHINES 2100 SERIES

16

REF. N.	PART. N°	PART DESCRIPTION	2105	2118	2114	2112	2110	2108	2106	2102
1	421967	Heat sink	•	•	•	•	•	•	•	•
2	194120-019	Bulb 120V-15W	•	•	•	•	•	•	•	•
	194120-020	Bulb 220V-15W	•	•	•	•	•	•	•	•
	194120-021	Bulb 240V-15W	•	•	•	•	•	•	•	•
	549887-003	Bulb 110V-15W	•	•	•	•	•	•	•	•
3	422313	Pressure regulating knob bracket	•	•	•	•	•	•	•	•
4	423206-900	Rear cover and bracket stud	•	•	•	•	•	•	•	•
5	141913	Bracket screw	•	•	•	•	•	•	•	•
6	421712-451	Light screw	•	•	•	•	•	•	•	•
7•	979395-001	Motor cpl. (For Europe)	•	•	•	•	•	•	•	•
	979395-002	Motor cpl. (For U.K. -Australia)	•	•	•	•	•	•	•	•
	979395-003	Motor cpl. (For USA-Canada)	•	•	•	•	•	•	•	•
	979395-006	Motor cpl. (Japan)	•	•	•	•	•	•	•	•
	979406-001	Motor cpl. (Europe)	•	•	•	•	•	•	•	•
	979406-002	Motor cpl. (UK-Australia)	•	•	•	•	•	•	•	•
	979406-003	Motor cpl. (USA-Canada)	•	•	•	•	•	•	•	•
	979406-006	Motor cpl.	•	•	•	•	•	•	•	•
8•	979380-001	Dust cover motor	•	•	•	•	•	•	•	•
9	605209-011	Motor light cpl. 120V (USA-Canada)	•	•	•	•	•	•	•	•
	605209-012	Motor light cpl. 220/240V (Europe-UK-Australia)	•	•	•	•	•	•	•	•
	605209-036	Motor light cpl. 100V (Japan)	•	•	•	•	•	•	•	•
9a	979345-902	Motor light cpl. 120V (USA-Canada)	•	•	•	•	•	•	•	•
9a	979345-901	Motor light cpl. 220/240V (Europe-UK)	•	•	•	•	•	•	•	•
9a	979345-903	Motor light cpl. 105V (Japan)	•	•	•	•	•	•	•	•
9a	979345-904	Motor light cpl. 240V (Australia)	•	•	•	•	•	•	•	•
10•	619436-001	Brush spring (2)	•	•	•	•	•	•	•	•
11•	619435-004	Brush (2)	•	•	•	•	•	•	•	•
12•	979398-001	Commutator end housing	•	•	•	•	•	•	•	•
	979398-003	Commutator end housing	•	•	•	•	•	•	•	•
13•	603907-001	Nut (2)	•	•	•	•	•	•	•	•
14•	618634-004	Motor bracket set screw (2)	•	•	•	•	•	•	•	•
15•	979378-001	Motor belt pulley assembly	•	•	•	•	•	•	•	•
16•	604016-001	Dust cover screw	•	•	•	•	•	•	•	•
17•	979396-001	Motor module 220V (For Europe)	•	•	•	•	•	•	•	•
	979396-002	Motor module 240V (UK and Australia)	•	•	•	•	•	•	•	•
	979396-003	Motor module 120V (USA and Canada)	•	•	•	•	•	•	•	•
	979396-005	Motor module 100V (Japan)	•	•	•	•	•	•	•	•
	979407-001	Motor module 220V (For Europe)	•	•	•	•	•	•	•	•
	979407-002	Motor module 240V (UK and Australia)	•	•	•	•	•	•	•	•
	979407-003	Motor module 120V (USA and Canada)	•	•	•	•	•	•	•	•
	979407-005	Motor module 105V (Japan)	•	•	•	•	•	•	•	•
18•	979408-011	Motor switch cpl. 220V/240V (Europe-UK-Australia)	•	•	•	•	•	•	•	•
	979408-012	Motor switch cpl. 120V (USA-Canada)	•	•	•	•	•	•	•	•
	979408-012	Motor switch cpl. 100V (Japan)	•	•	•	•	•	•	•	•
	979408-001	Motor switch cpl. 220V/240V (Europe-UK-Australia)	•	•	•	•	•	•	•	•
	979408-002	Motor switch cpl. 120V (USA-Canada)	•	•	•	•	•	•	•	•
	979408-002	Motor switch cpl. 105V (Japan)	•	•	•	•	•	•	•	•
19•	979379-001	Motor mounting bracket	•	•	•	•	•	•	•	•
20•	979441-001	Motor PC board cpl. (Europe-UK-Australia)	•	•	•	•	•	•	•	•
	979440-001	Motor PC board cpl. (USA-Canada)	•	•	•	•	•	•	•	•
	988145-001	Motor PC board cpl. (Japan)	•	•	•	•	•	•	•	•
21	353518-001	Motor belt	•	•	•	•	•	•	•	•
22	604020-002	Screw	•	•	•	•	•	•	•	•
23	604018-002	Washer	•	•	•	•	•	•	•	•
24•	988274-051	Foot controller cpl. 220V (Europe)	•	•	•	•	•	•	•	•
	988274-055	Foot controller cpl. 240V (UK)	•	•	•	•	•	•	•	•
	988274-057	Foot controller cpl. 240V (Australia)	•	•	•	•	•	•	•	•
	988274-063	Foot controller cpl. 100V (Japan)	•	•	•	•	•	•	•	•
	988274-090	Foot controller cpl. 120V (USA and Canada)	•	•	•	•	•	•	•	•
	988275-021	Foot controller cpl. 220V (Europe)	•	•	•	•	•	•	•	•
	988275-024	Foot controller cpl. 240V (UK)	•	•	•	•	•	•	•	•
	988275-026	Foot controller cpl. 240V (Australia)	•	•	•	•	•	•	•	•
	988275-028	Foot controller cpl. 100V (Japan)	•	•	•	•	•	•	•	•
	988275-031	Foot controller cpl. 120V (USA and Canada)	•	•	•	•	•	•	•	•

• Parts to be ordered directly from Bonnières

Addendum *

LIST OF PARTS FOR 1400 SERIES AND 2100 MERRITT VERSION SEWING MACHINES

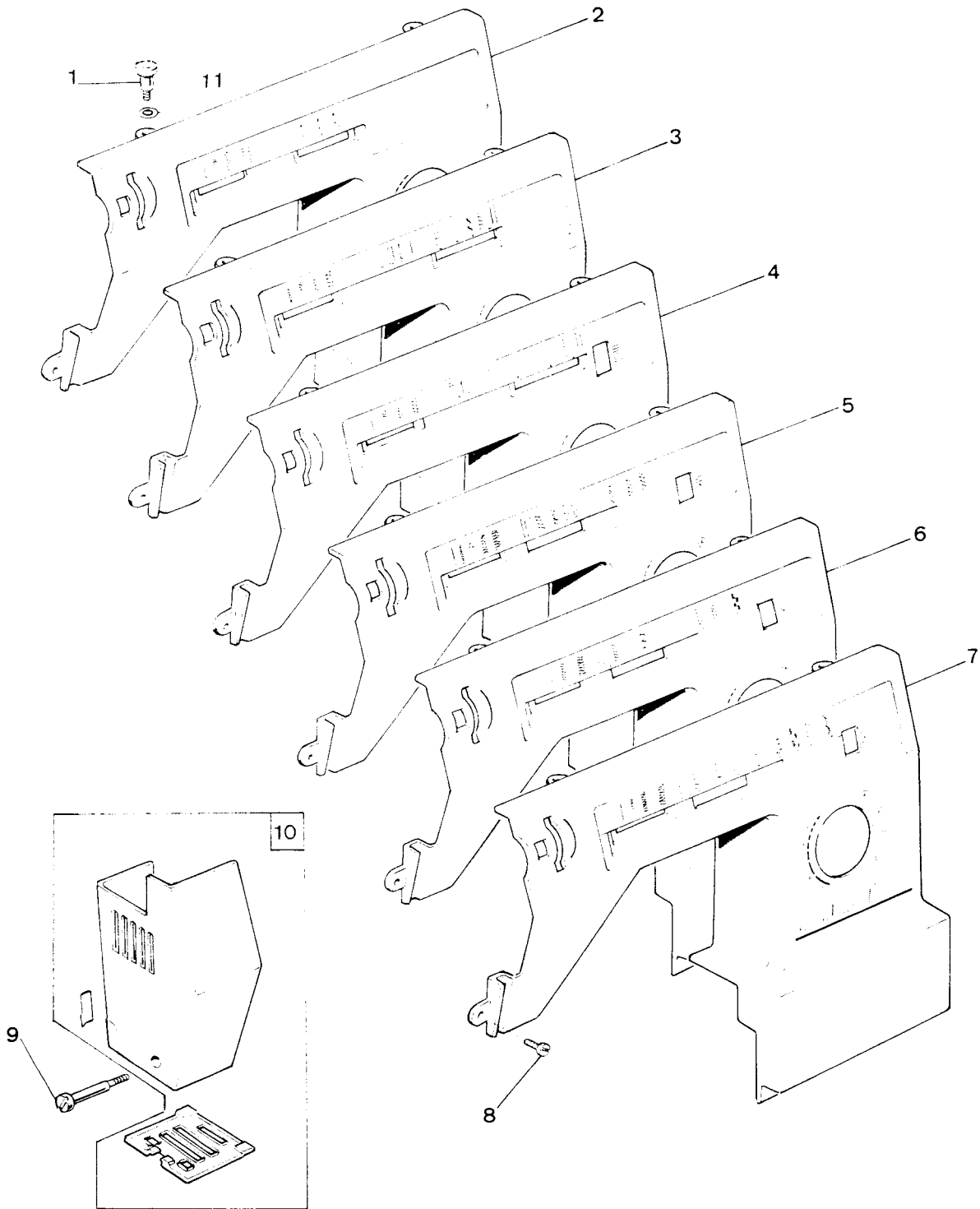
- 1400 series includes the following tubular bed models:

- 1482
- 1485
- 1486
- 1488
- 1490
- 1492

- 2100 Merritt version includes the following tubular bed models:

- 2105
- 2110
- 2114
- 2118

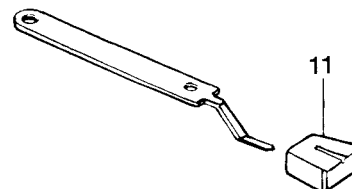
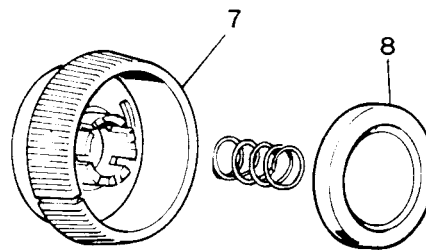
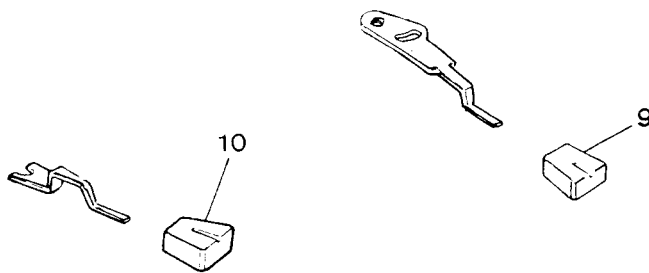
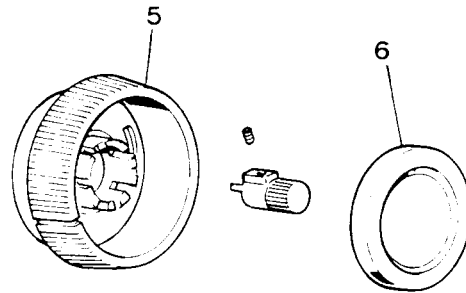
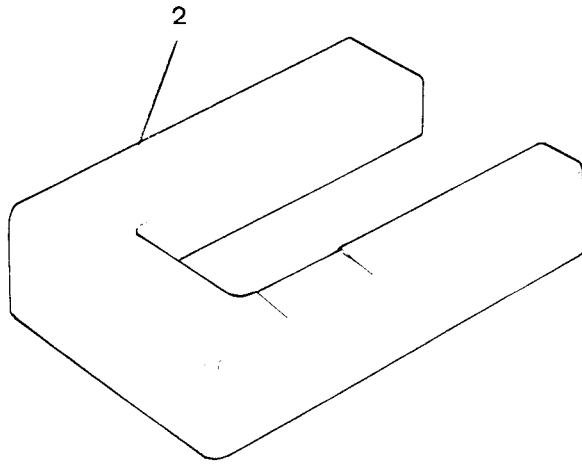
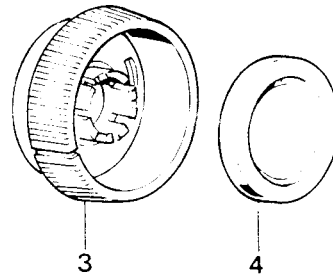
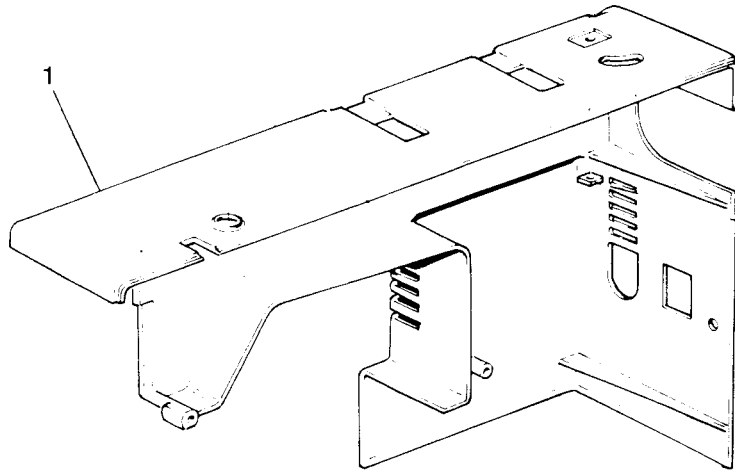
* Only Part Numbers differing from the 2100 Parts List are listed in this addendum.



LIST OF PARTS FOR MACHINES 1400 SERIES and 2100 MERRITT VERSION

17

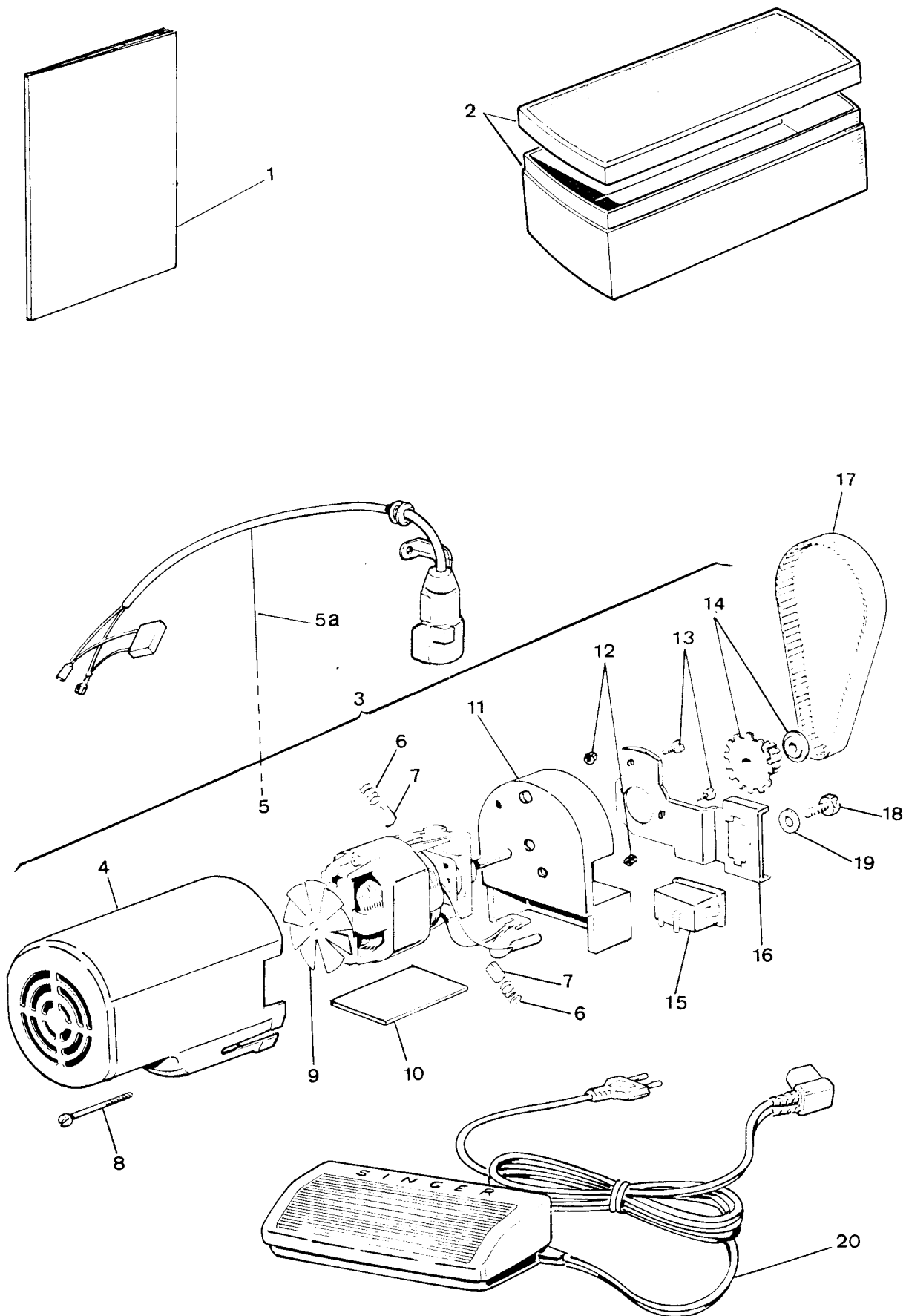
REF. N.	PART. N°	PART DESCRIPTION	1482	1485	1486	1488	1490	1492	2105	2110	2114	2118
1	139910	Arm front cover screw (upper, left)	•	•	•	•	•	•	•	•	•	•
2	423173-453	Arm front cover cpl.	•									
3	423174-453	Arm front cover cpl.		•								
	423174-454	Arm front cover cpl.							•			
4	423175-453	Arm front cover cpl.			•							
	423176-453	Arm front cover cpl.				•						
5	423177-453	Arm front cover cpl.					•					
	423177-454	Arm front cover cpl.								•		
6	423178-453	Arm front cover cpl.						•				
	423179-453	Arm front cover cpl.									•	
7	423180-453	Arm front cover cpl.										•
8	139910	Arm front cover screw	•	•	•	•	•	•	•	•	•	•
9	514727-451	Face plate screw	•	•	•	•	•	•	•	•	•	•
10	423164-452	Face plate cpl.	•									
	423164-453	Face plate cpl.		•	•	•						
	423164-454	Face plate cpl.					•					
	423164-455	Face plate cpl.						•				
	423164-456	Face plate cpl.							•			
	423164-457	Face plate cpl.								•	•	•
11	37969	Arm front cover screw washer (upper left)	•	•	•	•	•	•	•	•	•	•



LIST OF PARTS FOR MACHINES 1400 SERIES and 2100 MERRITT VERSION

17

REF. N.	PART. N°	PART DESCRIPTION	1482	1485	1486	1488	1490	1492	2105	2110	2114	2118
1	423074-452	Arm cover back	•	•	•	•	•	•	•	•	•	•
2	423213-451	Cloth plate cpl. (Half skirt)	•	•	•	•	•	•	•	•	•	•
	423214-451	Cloth plate cpl. (Full skirt)						•				
3	423140-453	Control dial	•									
4	423142-452	Reverse feed push button	•									
5	423140-451	Control dial							•			
	423140-453	Control dial		•								
6	425208-452	Reverse feed push button		•					•			
7	423140-451	Control dial										•
	423140-452	Control dial								•	•	
	423140-453	Control dial				•						
	423140-454	Control dial			•							
	423140-455	Control dial					•	•				
8	423141-451	Reverse feed push button			•	•	•	•		•	•	•
9	423215-453	Control lever knob bight amplitude	•	•	•	•						
	423215-452	Control lever knob bight amplitude					•	•				
	423143-452	Control lever knob bight amplitude							•	•		
	423143-453	Control lever knob bight amplitude									•	•
10	423215-453	Control lever knob needle position selector	•									
11	423143-452	Selector lever knob							•			
	423215-453	Selector lever knob		•	•	•						



LIST OF PARTS FOR MACHINES 1400 SERIES and 2100 MERRITT VERSION

REF. N.	PART. N°	PART DESCRIPTION	1482	1485	1486	1488	1490	1492	2105	2110	2114	2118
1	119726-002	Instruction book (French Language)	•	•					•			
	119721-002	Instruction book (French Language)			•	•						
	119722-002	Instruction book (French Language)					•	•		•		
	119723-002	Instruction book (French Language)									•	•
2	423111-451	Attachment box set complete	•									
	423112-451	Attachment box set complete		•	•	•	•	•	•	•	•	•
3•	979395-001	Motor cpl.	•	•	•	•	•		•			
	979406-001	Motor cpl.						•		•	•	•
4•	979380-001	Dust cover motor	•	•	•	•	•	•	•	•	•	•
5	605209-012	Motor light cpl.	•	•	•	•	•		•			
5a	979345-901	Motor light cpl.						•		•	•	•
6•	619436-001	Brush spring (2)	•	•	•	•	•	•	•	•	•	•
7•	619435-004	Brush (2)	•	•	•	•	•	•	•	•	•	•
8•	604016-001	Dust cover screw	•	•	•	•	•	•	•	•	•	•
9•	979396-001	Motor module	•	•	•	•	•		•		•	•
	979407-001	Motor module						•		•	•	•
10•	979441-001	Motor PC board cpl.						•		•	•	•
11•	979398-001	Commutator end housing	•	•	•	•	•		•		•	•
	979398-003	Commutator end housing						•		•	•	•
12•	603907-001	Nut (3)	•	•	•	•	•	•	•	•	•	•
13•	618634-004	Motor bracket set screw (2)	•	•	•	•	•	•	•	•	•	•
14•	979378-001	Motor belt pulley assembly	•	•	•	•	•	•	•	•	•	•
15•	979408-011	Motor switch cpl.	•	•	•	•	•		•		•	•
	979408-001	Motor switch cpl.						•		•	•	•
16•	979379-001	Motor mounting bracket	•	•	•	•	•	•	•	•	•	•
17	353518-001	Motor belt	•	•	•	•	•	•	•	•	•	•
18	604020-002	Screw	•	•	•	•	•	•	•	•	•	•
19	604018-002	Washer	•	•	•	•	•	•	•	•	•	•
20•	988274-051	Foot controller cpl.	•	•	•	•	•		•		•	•
	988275-021	Foot controller cpl.						•		•	•	•

• Parts to be ordered directly from Bonnieres