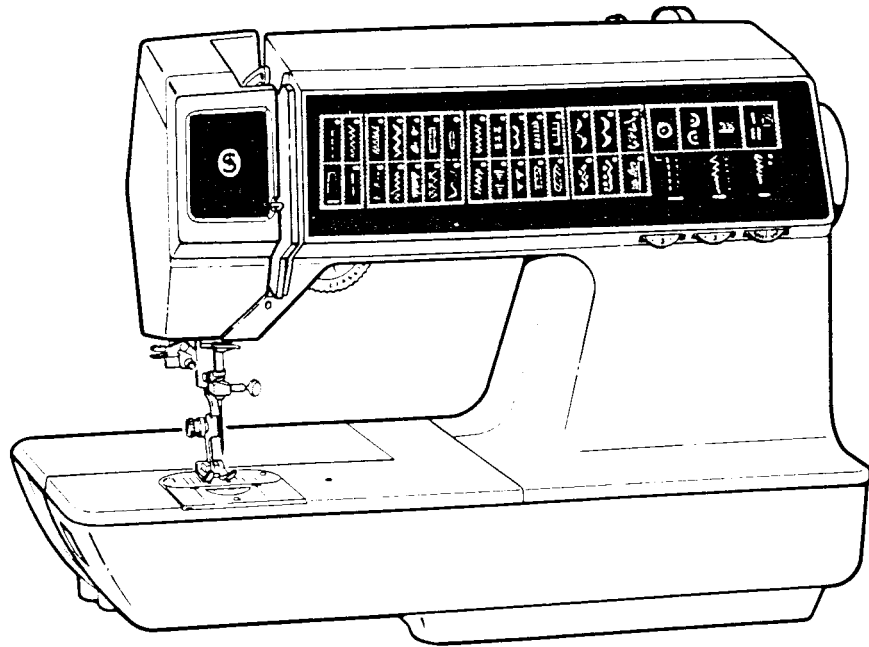


SINGER
2010

MCA
173745-991

SINGER*

LIST OF PARTS FOR 2010 MACHINE



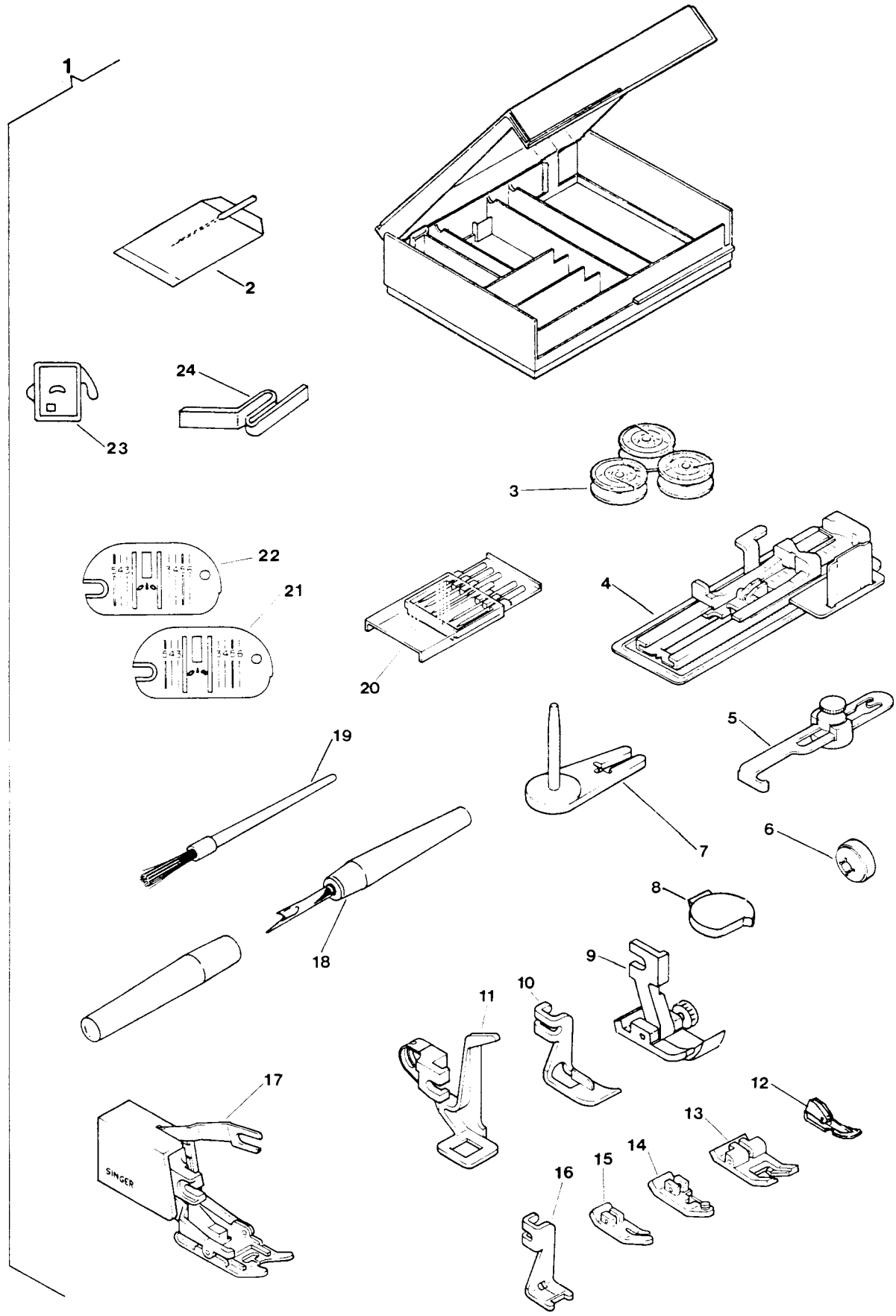
Copyright © 1980 THE SINGER COMPANY
All Rights Reserved Throughout the World

*A Trademark of THE SINGER COMPANY
Printed in U.S.A. Form 730-2010 (9/80)



PAGE NO.	SUBASSEMBLY
1, 2	ATTACHMENT SET
3, 4	COVERS AND ADD-ONS
5, 6	HOOK AND HOOK DRIVE
7 - 10	HEAD END MODULE
11, 12	TENSION MODULE
13, 14	TRANSFORMER, BIGHT AND FEED MOTORS
15, 16	NEEDLE BAR DRIVE AND HAND WHEEL
17 - 20	FEED DRIVE MECHANISM
21, 22	ELECTRICAL EQUIPMENT
23, 24	LOGIC AND CONTROL ELECTRONICS

ATTACHMENT SET



ATTACHMENT SET

2010A PARTS LIST

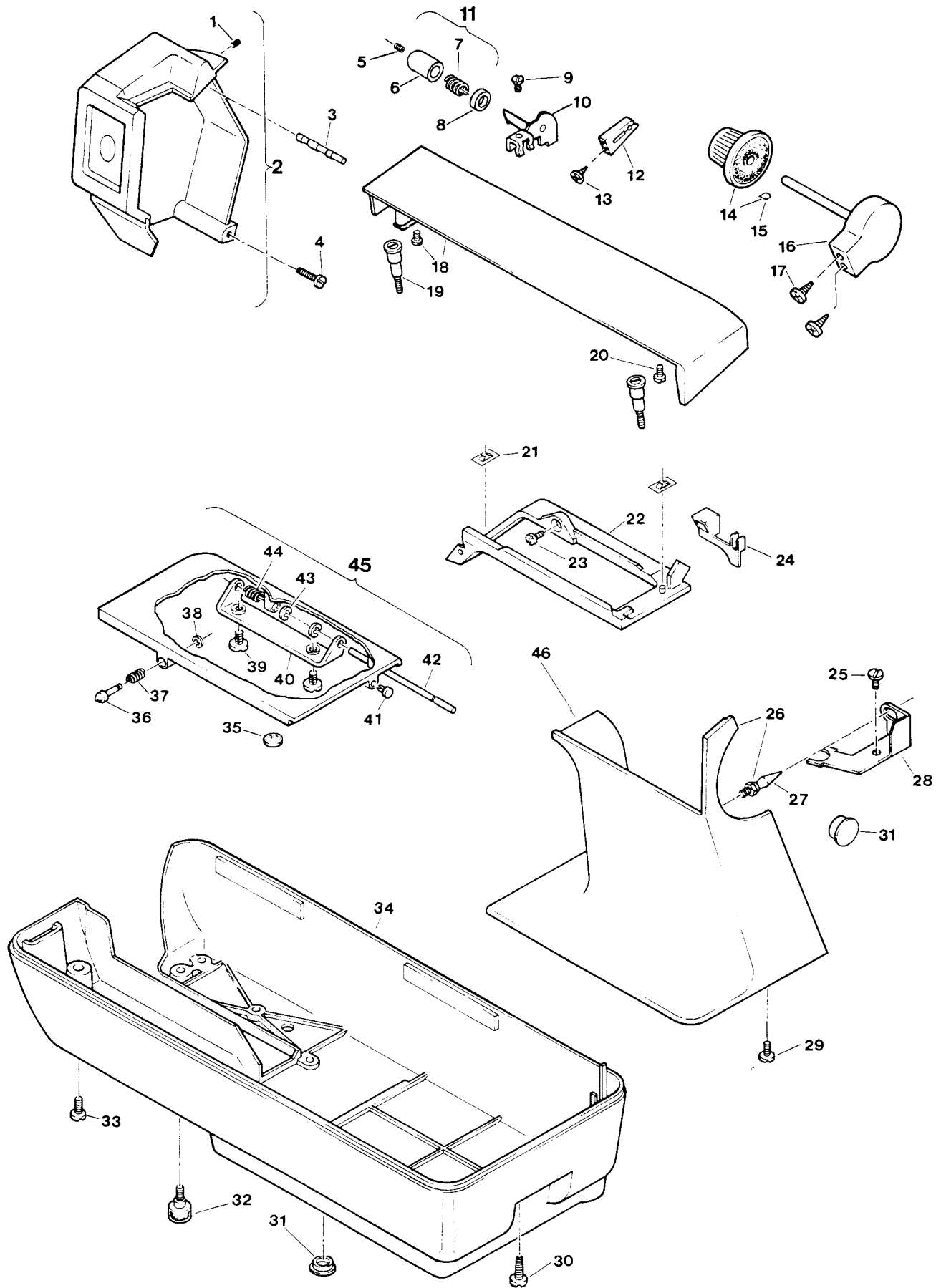
REF.	PART NO.	DESCRIPTION
01	381492	ATTACHMENT SET COMPL., PACKED IN ATTACHMENT BOX NO. 171434-900.
02	381458	WINGED NEEDLE M2040-14. PACKED IN PAPER ENVELOPE NO. 276742-900.
03	383931	BOBBIN (PLASTIC).
04	421284-451	BUTTONHOLER (ONE-STEP) PRESSER FOOT PLATE (SNAP-ON) COMPL. (1 3/8).
05	161172	SEAM & BLINDSTITCH HEM GUIDE COMPL..
06	507664-454	ARM SPOOL PIN THREAD LEAD-OFF (SMALL, PLASTIC).
07	381114-451	SPOOL PIN FOR TWIN NEEDLE SEWING (PLASTIC).
08	383711	CHAINSTITCH ATTACHMENT LOOP RETAINER INSERT.
09	381491	BLIND HEM PRESSER FOOT.
10	381497	PRESSER FOOT FOR TAILOR TACK.
11	384037	DARNING & EMBROIDERY FOOT (PLASTIC).
12	171480	PRESSER FOOT PLATE (SNAP-ON). FOR CORDING & SLIDE FASTENERS COMPL..
13	171463	SPECIAL PURPOSE PRESSER FOOT PLATE (SNAP-ON).
14	171460	PRESSER FOOT PLATE (SNAP-ON, SLOTTED) FOR SLANT OVEREDGE & OVEREDGE STRETCH STITCH (6 MM BIGHT).
15	502277	PRESSER FOOT PLATE (SNAP-ON) FOR STRAIGHT SEWING (502277-900 PLATED).
16	381066	PRESSER FOOT FOR BUTTON SEWING (6 MM BIGHT).
17	171466-451	EVEN FEED FOOT (COMPL.) (6 MM BIGHT).
18	543135	BUTTONHOLE CUTTER & SEAM RIPPER.
19	501750	LINT BRUSH.
20	381275	NEEDLE PACK.
21	381488	CHAIN STITCH ATTACHMENT THROAT PLATE COMPLETE (6 MM).
22	381486	THROAT PLATE FOR STRAIGHT SEWING (6 MM) (STEEL).
23	383685	FEED COVER PLATE, FOR DARNING, EMBROIDERY.
24	381485	CHAIN STITCH THREAD GUIDE.

COVERS AND ADD ONS

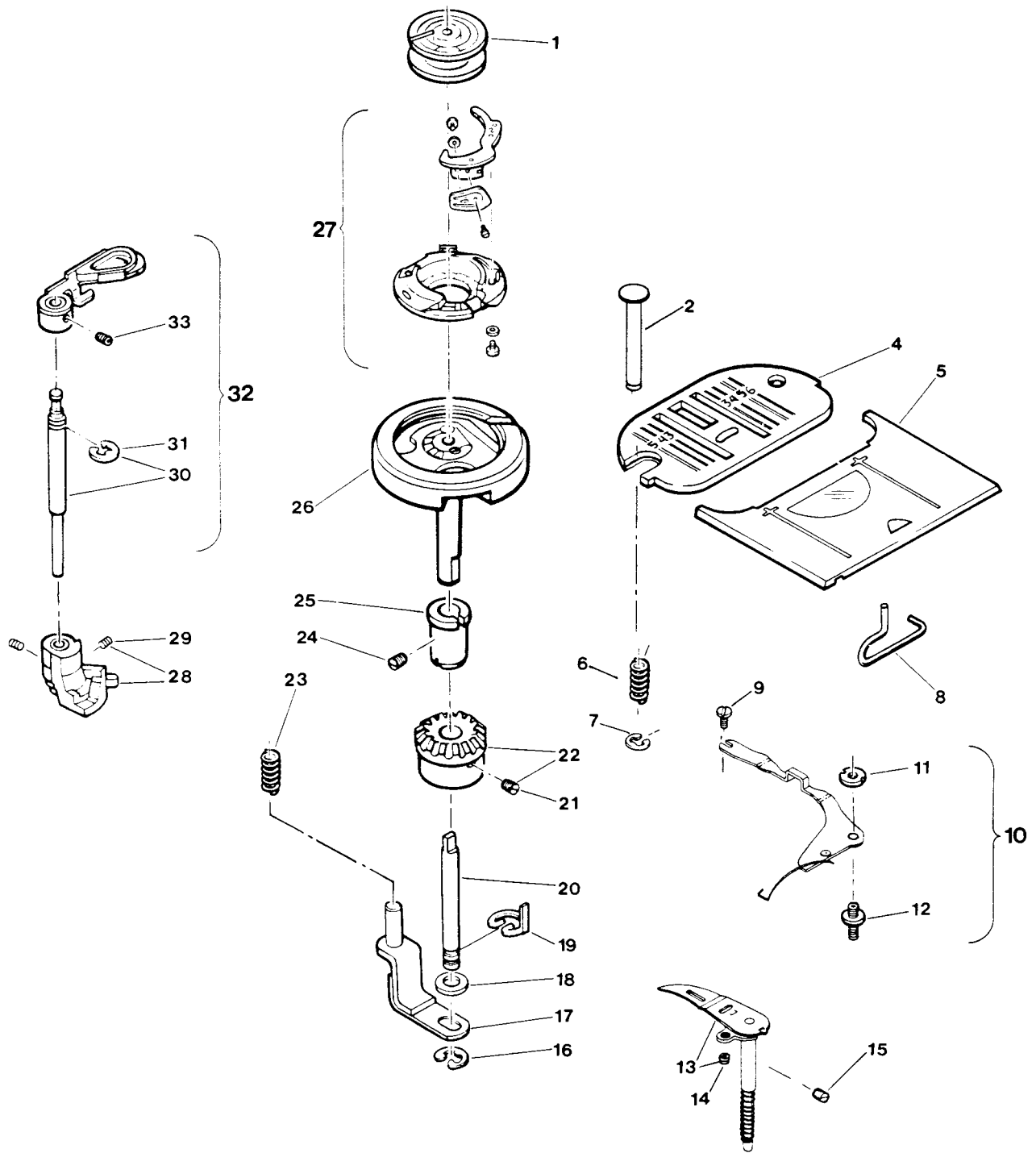
2010A PARTS LIST

REF.	PART NO.	DESCRIPTION
01	354203-451	FACE PLATE SCREW (UPPER).
02	383969-451	FACE PLATE COMPL..
03	382162	FACE PLATE POSITIONING STUD.
04	354741-451	FACE PLATE SCREW (LOWER).
05	139878-869	PRE-TENSION STUD NUT SET SCREW.
06	383763-451	PRE-TENSION STUD NUT (PLASTIC).
07	174418	PRE-TENSION DISC SPRING.
08	45915	PRE-TENSION DISC.
09	354030-451	PRE-TENSION MOUNTING SCREW.
10	383150	PRE-TENSION BRACKET (383150-900 PLATED).
11	383151-451	PRE-TENSION COMPL..
12	182238-451	THREAD GUIDE (OUTSIDE, BACK OF ARM) (PLASTIC) (182238-900 MACHINED).
13	139935-451	THREAD GUIDE (OUTSIDE, BACK OF ARM) SCREW.
14	163149-004	ARM SPOOL PIN THREAD LEAD-OFF COMPL..
15	163150	ARM SPOOL PIN THREAD LEAD-OFF SPRING CLIP.
16	382485-451	ARM SPOOL PIN.
17	354491-451	ARM SPOOL PIN HOLDER SCREW.
18	383403-451	ARM TOP COVER (PAINTED).
19	382681-001	ARM TOP COVER GUIDE SCREW STUD.
20	354814-451	ARM TOP COVER LATCH SCREW.
21	618718-001	L.E.D. HARNESS RETAINING CLIP.
22	383326-451	ARM FRONT COVER SEGMENT (MACHINED & PAINTED.)
23	141854-809	ARM FRONT COVER SEGMENT SCREW.
24	383402	ARM FRONT COVER & SEGMENT BUMPER (RUBBER).
25	141824-814	ARM FRONT COVER RETAINING BRACKET SCREW.
26	383988-452	ARM FRONT COVER. (EUR).
26	383988-451	ARM FRONT COVER.
27	383369	ARM FRONT COVER LOCKING STUD.
28	383370	ARM FRONT COVER RETAINING BRACKET.
29	354020-451	ARM FRONT COVER SCREW (BOTTOM).
30	354678-451	BED (CONVERTIBLE) COVER (BOTTOM) SCREW.
31	383529-451	BED (CONVERTIBLE) COVER (BOTTOM) ACCESS HOLE PLUG (PLASTIC).
31	383529-451	ARM ACCESS HOLE PLUG (PLASTIC).
32	148509-452	BED (CONVERTIBLE) COVER (BOTTOM) CUSHION.
33	141860-814	BED (CONVERTIBLE) COVER (BOTTOM) FASTENING SCREW.
34	383895-457	BED (CONVERTIBLE) COVER (BOTTOM).
35	619491-002	BED (CONVERTIBLE) LID PAD (SELF-ADHESIVE).
36	381874-451	BED (CONVERTIBLE) LID LATCH (PLASTIC).
37	381877	BED (CONVERTIBLE) LID LATCH SPRING.
38	182195	BED (CONVERTIBLE) LID LATCH RETAINING RING.
39	141860-814	BED (CONVERTIBLE) LID HINGE BRACKET SCREW.
40	382740	BED (CONVERTIBLE) LID HINGE BRACKET.
41	381878	BED (CONVERTIBLE) LID POSITIONING BUTTON (PLASTIC).
42	382741	BED (CONVERTIBLE) LID HINGE PIN.
43	507563	BED (CONVERTIBLE) LID HINGE PIN RETAINING RING.
44	381876	BED (CONVERTIBLE) LID HINGE SPRING.
45	382739-451	BED (CONVERTIBLE) LID.
46	383987-451	ARM FRONT COVER

COVERS AND ADD ONS



HOOK AND HOOK DRIVE



HOOK AND HOOK DRIVE

2010A PARTS LIST

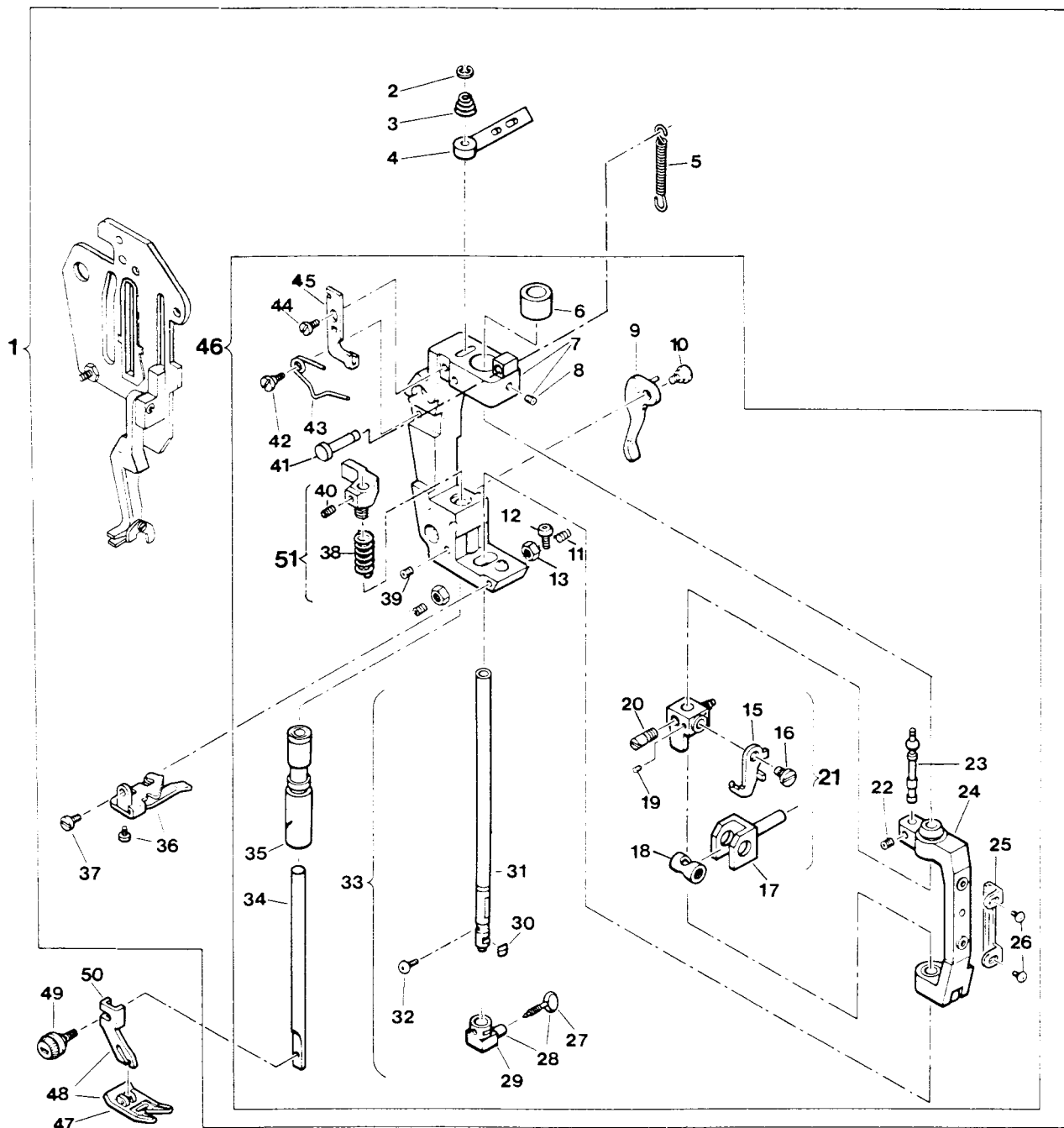
REF.	PART NO.	DESCRIPTION
01	383931	ROTATING HOOK BOBBIN (PLASTIC).
02	409285	THROAT PLATE PLUNGER.
04	383952	THROAT PLATE FOR ZIG-ZAG SEWING (6 MM BIGHT).
05	382801	BED SLIDE WITH MOLDED PLASTIC WINDOW.
06	444889	THROAT PLATE PLUNGER SPRING.
07	549886	THROAT PLATE PLUNGER RETAINING RING.
08	383121	BED SLIDE STOP.
09	354835-452	ROTATING HOOK BOBBIN CASE POSITION PLATE ADJUSTING SCREW (354835-451 WITH FUSED PLASTIC MATERIAL).
10	383912	ROTATING HOOK BOBBIN CASE POSITION PLATE.
11	54594-451	ROTATING HOOK BOBBIN CASE POSITION PLATE SCREW NUT.
12	354150-452	ROTATING HOOK BOBBIN CASE POSITION PLATE SCREW (354150-451 WITH FUSED PLASTIC MATERIAL).
13	383910	ROTATING HOOK BOBBIN CASE RETAINING PLATE COMPLETE.
14	354834-452	ROTATING HOOK BOBBIN CASE RETAINING PLATE ADJUSTING SCREW (354834-451 WITH FUSED PLASTIC MATERIAL).
15	141338-869	ROTATING HOOK BOBBIN CASE RETAINING PLATE BUSHING SET SCREW.
16	153884	ROTATING HOOK BOBBIN DRIVING SHAFT RETAINING RING.
17	181576	ROTATING HOOK BOBBIN WINDER LIFTING BRACKET.
18	181565	ROTATING HOOK BOBBIN DRIVING SHAFT SPACER (PLASTIC).
19	181564	ROTATING HOOK BOBBIN DRIVING SHAFT CLUTCH SPRING (181564-900 TUMLED).
20	181562	ROTATING HOOK BOBBIN DRIVING SHAFT.
21	141338-869	ROTATING HOOK BEVEL GEAR (PLASTIC) SET SCREW.
22	382879	ROTATING HOOK BEVEL GEAR (PLASTIC).
23	163791	ROTATING HOOK BOBBIN WINDER ACTUATING LEVER SHAFT CAM FOLLOWER SPRING.
24	354725-451	ROTATING HOOK FLANGED BUSHING (ECCENTRIC) SET SCREW.
25	383598	ROTATING HOOK FLANGED BUSHING (ECCENTRIC) (383598-900 MACHINED).
26	383703	ROTATING HOOK.
27	383913	ROTATING HOOK BOBBIN CASE COMPL..
28	381958	ROTATING HOOK BOBBIN WINDER ACTUATING LEVER SHAFT CAM.
29	354247-451	ROTATING HOOK BOBBIN WINDER ACTUATING LEVER SHAFT CAM SET SCREW.
30	381959	ROTATING HOOK BOBBIN WINDER ACTUATING LEVER SHAFT.
31	165472	ROTATING HOOK BOBBIN WINDER ACTUATING LEVER SHAFT RETAINING RING.
32	382326	ROTATING HOOK BOBBIN WINDER ACTUATING LEVER.
33	354247-451	ROTATING HOOK BOBBIN WINDER ACTUATING LEVER HUB SET SCREW.

HEAD END MODULE

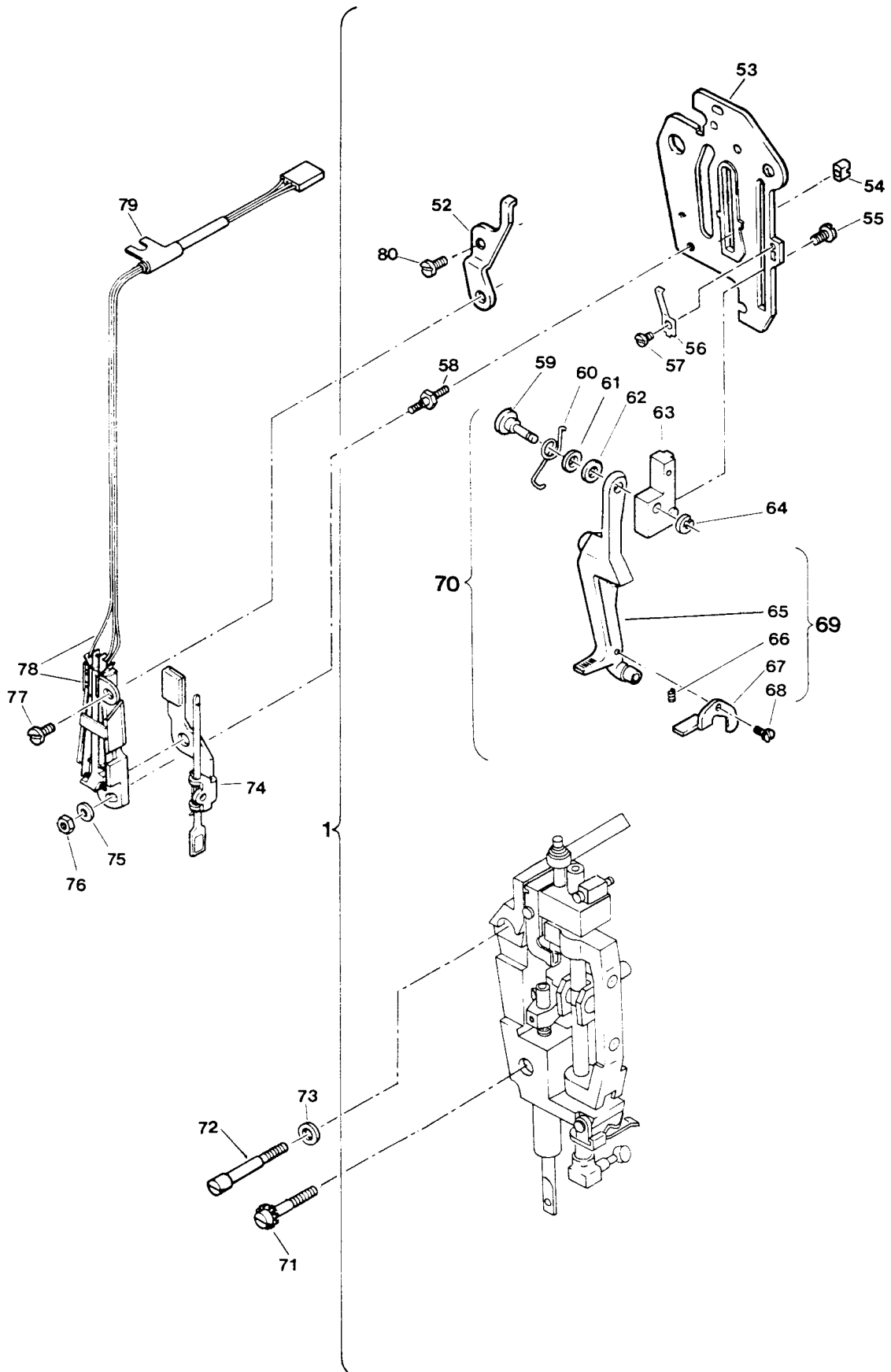
2010A PARTS LIST

REF.	PART NO.	DESCRIPTION
01	383966	HEAD END MODULE.
02	381726	NEEDLE BAR DRIVING ARM BALL JOINT RETAINING RING.
03	382602	NEEDLE BAR DRIVING ARM BALL JOINT SPRING.
04	382600	NEEDLE BAR DRIVING ARM BALL JOINT (PLASTIC).
05	381586	NEEDLE BAR LIFTING SPRING.
06	382374	NEEDLE BAR VIBRATING BRACKET BUSHING (UPPER) (181666-900 MACHINED).
07	383982	NEEDLE BAR VIBRATING BRACKET FRAME.
08	141891-830	NEEDLE BAR VIBRATING BRACKET BUSHING (UPPER) SET SCREW.
09	383265	PRESSER BAR LIFTER.
10	354010-451	PRESSER BAR LIFTER HINGE SCREW.
11	354851-451	NEEDLE BAR SAFETY ADJUSTING SCREW.
12	181670	NEEDLE BAR VIBRATING BRACKET PIVOT STUD.
13	706404-017	NEEDLE BAR SAFETY ADJUSTING SCREW NUT.
15	383948	NEEDLE BAR LATCH.
16	381816	NEEDLE BAR LATCH ADJUSTING STUD (ECCENTRIC).
17	384051	NEEDLE BAR CONNECTING STUD.
18	172043	NEEDLE BAR CONNECTING STUD HINGE PIN.
19	354443-451	NEEDLE BAR LATCH ADJUSTING STUD (ECCENTRIC) SET SCREW.
20	354705-451	NEEDLE BAR CLAMPING & GUIDE SCREW.
21	383968	NEEDLE BAR LATCH CARRIER COMPL..
22	354063-451	NEEDLE BAR VIBRATING BRACKET BALL STUD SET SCREW.
23	382601	NEEDLE BAR VIBRATING BRACKET BALL STUD (382601-900 MACHINED).
24	181664	NEEDLE BAR VIBRATING BRACKET.
25	182236	NEEDLE BAR LATCH KICKOUT PLATE (ADJUSTABLE).
26	354166-451	NEEDLE BAR LATCH KICKOUT PLATE (ADJUSTABLE) SCREW.
27	140751-453	NEEDLE THUMB SCREW.
28	163123	NEEDLE CLAMP.
29	163122	NEEDLE CLAMP BODY.
30	163822	NEEDLE BAR GIB.
31	383983	NEEDLE BAR.
32	354708-451	NEEDLE CLAMP BODY, NEEDLE CLAMP THREAD GUIDE & NEEDLE STOP SCREW.
33	383973	NEEDLE BAR.
34	383945	PRESSER BAR.
35	383976	PRESSER BAR BUSHING.
36	382769	THREAD SNUBBER.
37	354160-451	THREAD SNUBBER MOUNTING SCREW.
38	383944	PRESSER BAR SPRING.
39	354186-451	PRESSER BAR BUSHING SET SCREW.
40	354846-451	PRESSER BAR GUIDE BRACKET SET SCREW.
41	383985	NEEDLE BAR LIFTING SPRING STUD.
42	354119-451	NEEDLE BAR RECOIL SPRING SCREW.
43	383366	NEEDLE BAR RECOIL SPRING.
44	354121-451	NEEDLE BAR RECOIL SPRING BRACKET (ADJUSTABLE) SCREW.
45	383367	NEEDLE BAR RECOIL SPRING BRACKET (ADJUSTABLE).
46	383965	NEEDLE BAR VIBRATING BRACKET FRAME.
47	384049	PRESSER FOOT PLATE (SNAP-ON) FOR ZIG-ZAG SEWING (6 MM.).
48	382347	PRESSER FOOT (SNAP-ON) COMPL. FOR ZIG-ZAG SEWING (6 MM.).
49	181919	PRESSER FOOT THUMB SCREW & BOBBIN WINDER THREAD HOLDER.
50	163706	PRESSER FOOT SHANK (SNAP-ON) (163706-902 MACHINED).
51	383998	PRESSER BAR GUIDE BRACKET ASSEMBLY.

HEAD END MODULE



HEAD END MODULE



HEAD END MODULE

2010A PARTS LIST

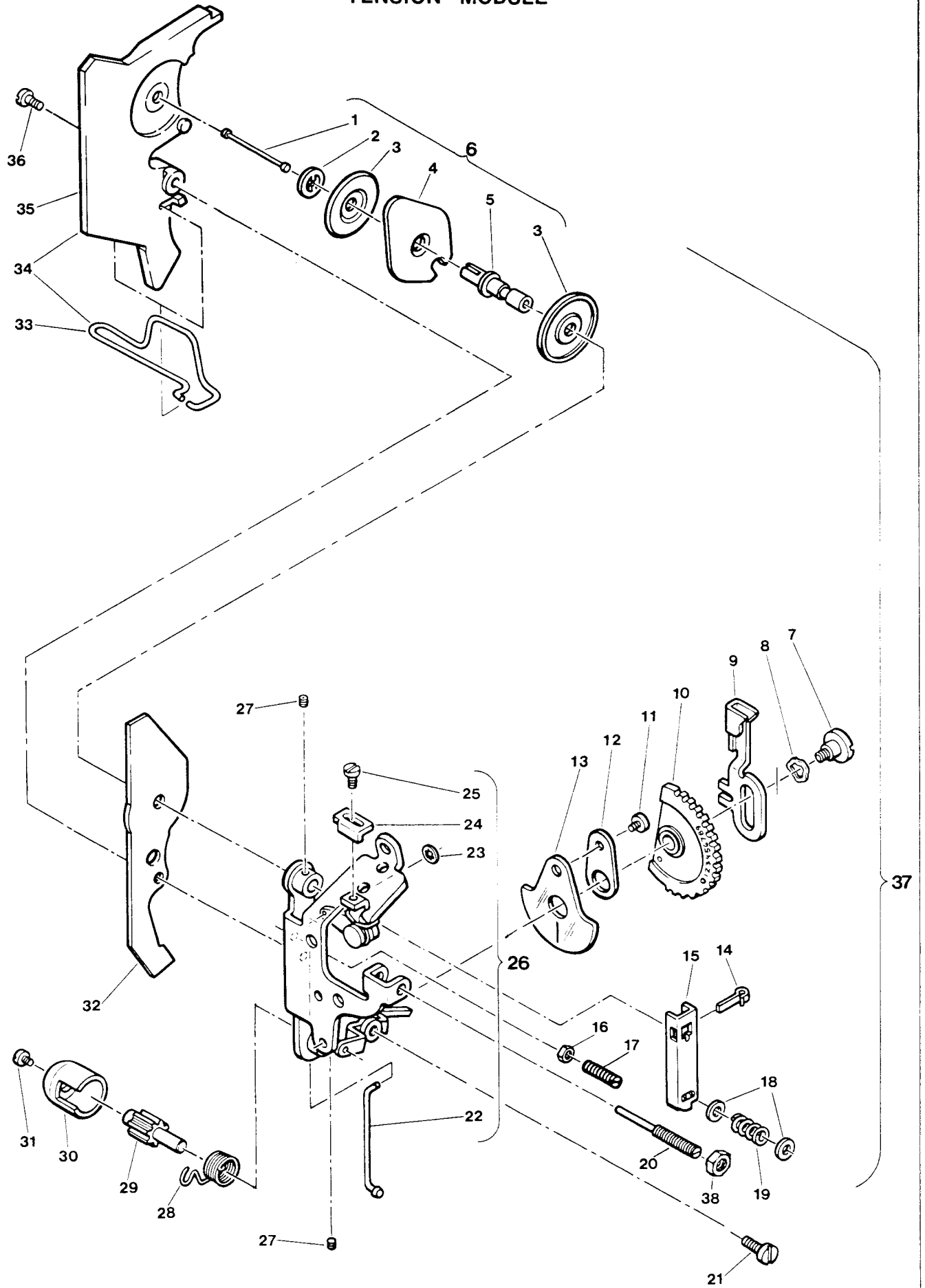
REF.	PART NO.	DESCRIPTION
52	383410	BUTTONHOLER SWITCH MOUNTING BRACKET.
53	383967	PRESSER BAR PRESSURE REGULATING DIAL MOUNTING PLATE.
54	383363	NEEDLE BAR CLAMPING & GUIDE SCREW SLEEVE (PLASTIC).
55	354728-451	NEEDLE THREADER STEM LOCATING BRACKET SLIDE BLOCK SCREW.
56	383444	NEEDLE THREADER STEM LOCATING BRACKET SLIDE BLOCK POSITIONING SPRING.
57	354717-451	NEEDLE THREADER STEM LOCATING BRACKET SLIDE BLOCK POSITIONING SPRING SCREW.
58	354585-451	BUTTONHOLER SWITCH SCREW STUD.
59	383455	NEEDLE THREADER STEM LOCATING BRACKET HINGE STUD.
60	383456	NEEDLE THREADER STEM LOCATING BRACKET SPRING.
61	383751-451	NEEDLE THREADER STEM LOCATING BRACKET SPRING RETAINING WASHER.
62	383431	NEEDLE THREADER STEM LOCATING BRACKET HINGE STUD SPRING WASHER.
63	383458	NEEDLE THREADER STEM LOCATING BRACKET SLIDE BLOCK (PLASTIC).
64	507563	NEEDLE THREADER STEM LOCATING BRACKET HINGE STUD RETAINING RING.
65	383941	NEEDLE THREADER STEM (383941-900 MACHINED).
66	383440	NEEDLE THREADER STEM THREAD CLAMP SPRING.
67	383408	NEEDLE THREADER STEM THREAD CLAMP.
68	354709-451	NEEDLE THREADER STEM THREAD CLAMP SCREW.
69	383991	NEEDLE THREADER STEM.
70	383994	NEEDLE THREADER STEM LOCATING BRACKET SLIDE BLOCK.
71	354842-451	NEEDLE BAR VIBRATING BRACKET FRAME SCREW (LOWER) WITH WASHER.
72	354025-451	NEEDLE BAR VIBRATING BRACKET FRAME POSITIONING & HINGE SCREW (UPPER).
73	181860-451	NEEDLE BAR VIBRATING BRACKET FRAME POSITIONING & HINGE SCREW (UPPER) WASHER.
74	383602	BUTTONHOLER KICK-OUT TRIPPING ROD LEVER.
75	382947	BUTTONHOLER SWITCH SCREW STUD WASHER.
76	53654-814	BUTTONHOLER SWITCH SCREW STUD NUT.
77	354762-451	BUTTONHOLER SWITCH LOCKING SCREW.
78	988427-001	BUTTONHOLER SWITCH & LEADS ASSEMBLY.
79	383849	HARNES GROMMET & BRACKET.
80	141854-809	BUTTONHOLER SWITCH MOUNTING BRACKET RETAINING SCREW.

TENSION MODULE

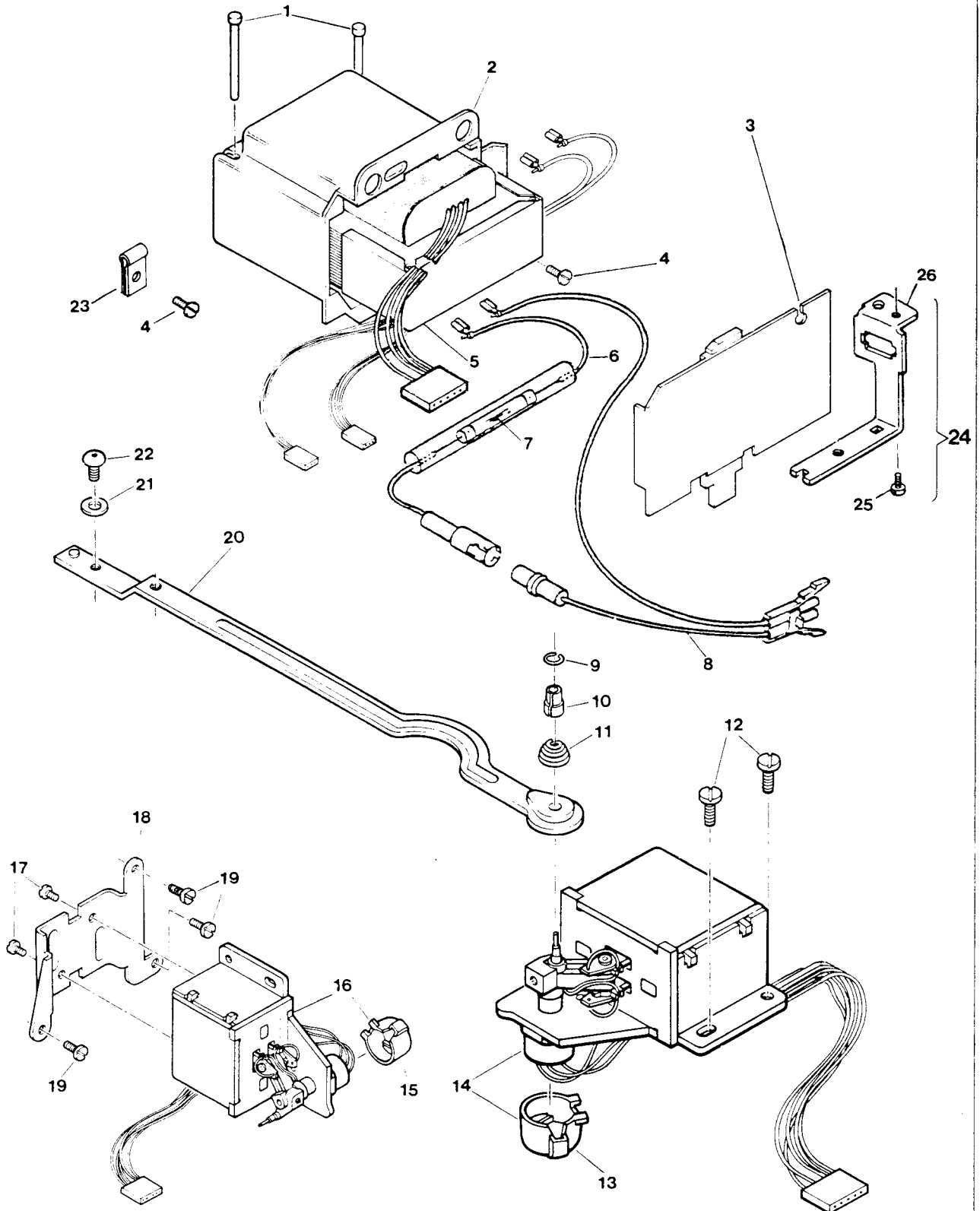
2010A PARTS LIST

REF.	PART NO.	DESCRIPTION
01	181857	TENSION DISC PRESSURE PIN (181857-900 PLATED).
02	174398	TENSION DISC PRESSURE PLATE.
03	382586	TENSION DISC (SMALL).
04	382603	TENSION DISC (LARGE).
05	382587	TENSION STUD.
06	382211	TENSION STUD COMPL..
07	354622-451	TENSION INDICATOR DIAL HINGE SCREW.
08	506479	TENSION INDICATOR DIAL HINGE SCREW FRICTION WASHER.
09	181854	TENSION REGULATING SLIDE.
10	383343-452	TENSION INDICATOR DIAL (PLASTIC) (383343-900 WITH GRAPHICS).
11	141697-814	TENSION INDICATOR SCREW.
12	381933	TENSION INDICATOR SPACER.
13	182222	TENSION INDICATOR (PLASTIC).
14	172906	TENSION REGULATING SLIDE PLATE SPRING CLIP.
15	181855	TENSION REGULATING SLIDE PLATE.
16	53637-803	TENSION REGULATING SLIDE POSITIONING SCREW NUT.
17	354167-451	TENSION REGULATING SLIDE POSITIONING SCREW.
18	172731-451	TENSION ADJUSTING SCREW WASHER.
19	181877	TENSION SPRING.
20	181873-454	TENSION ADJUSTING SCREW.
21	354419-451	TENSION RELEASE LEVER ACTUATOR HINGE BUSHING SUPPORT SCREW.
22	381582	TENSION RELEASE LEVER CONNECTION (381582-900 HARDENED).
23	171272	TENSION RELEASE LEVER CONNECTION RETAINING RING.
24	381719	TENSION RELEASE LEVER ADJUSTING PLATE.
25	141862-814	TENSION RELEASE LEVER ADJUSTING PLATE SCREW.
26	382079	TENSION MOUNTING BRACKET ASSEMBLY.
27	354048-451	TENSION STUD SET SCREW.
27	354048-451	THREAD TAKE-UP SPRING STUD SET SCREW.
28	181872	THREAD TAKE-UP SPRING.
29	181875	THREAD TAKE-UP SPRING STUD & POSITION COLLAR.
30	181861-451	THREAD TAKE-UP SPRING CAP & SLACK THREAD REGULATOR (PLASTIC).
31	354049-451	THREAD TAKE-UP SPRING ADJUSTING SCREW.
32	383281-451	TENSION THREAD GUARD (383281-900 PAINTED).
33	381883	THREAD TAKE-UP SPRING THREAD GUARD BAR.
34	383283-452	THREAD TAKE-UP SPRING THREAD GUARD.
35	383282-451	THREAD TAKE-UP SPRING THREAD GUARD (PLASTIC).
36	354236-452	THREAD TAKE-UP SPRING THREAD GUARD SCREW.
37	383279-452	TENSION MODULE COMPL..
38	54593-451	TENSION ADJUSTING SCREW NUT.

TENSION MODULE



TRANSFORMER, BIGHT AND FEED LINEAR MOTORS AND BIGHT DRIVE MECHANISM



TRANSFORMER, BIGHT AND FEED LINEAR MOTORS AND BIGHT DRIVE MECHANISM

2010A PARTS LIST

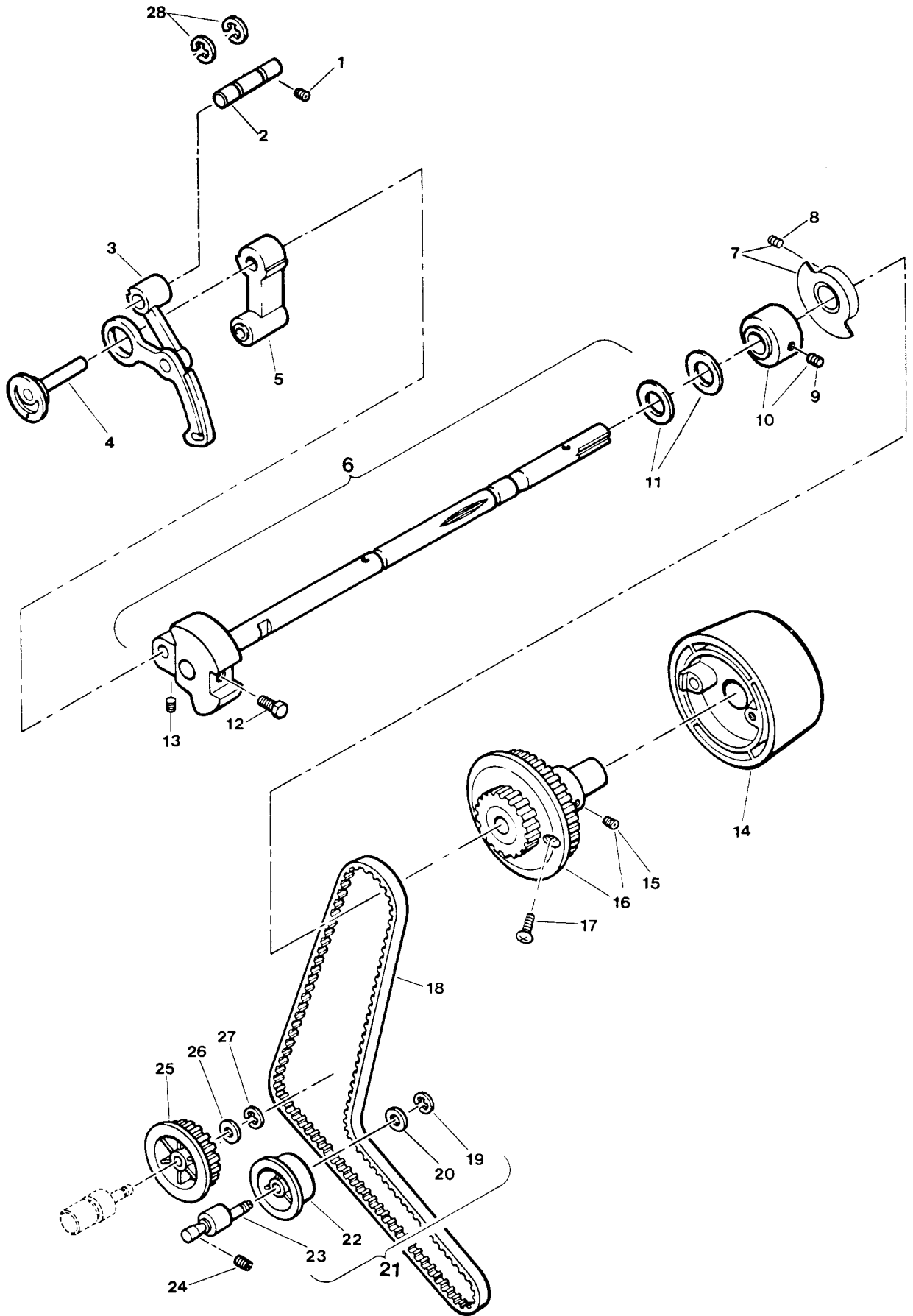
REF.	PART NO.	DESCRIPTION
01	382896	TRANSFORMER RETAINING PIN (PLASTIC).
02	383294	TRANSFORMER HOUSING (PLASTIC).
03	383295	TRANSFORMER RETAINER (PLASTIC).
04	354090-451	TRANSFORMER MOUNTING SCREW. INDEX NO. 3-4011-C SPEC. NO. 1014. CADMIUM PLATED.
05	988429-001	TRANSFORMER ASSEMBLY WITH CONNECTOR..
06	988416-001	FUSE ASSEMBLY.
07	988417-001	FUSE WITH PIG TAILS.
08	988420-001	HARNESS.
09	383526	NEEDLE BAR DRIVING ARM RETAINING SLEEVE CLAMPING RING.
10	383525	NEEDLE BAR DRIVING ARM RETAINING SLEEVE (PLASTIC).
11	382602	NEEDLE BAR DRIVING ARM FRICTION SPRING.
12	354090-451	BIGHT DRIVE LINEAR MOTOR MOUNTING SCREW.
13	382909	BIGHT DRIVE LINEAR MOTOR POTENTIOMETER CAP (PLASTIC).
14	383981	BIGHT DRIVE LINEAR MOTOR WITH HARNESS.
15	382909	FEED DRIVE LINEAR MOTOR POTENTIOMETER CAP (PLASTIC).
16	988409-001	FEED DRIVE LINEAR MOTOR COMPL..
17	354538-451	FEED DRIVE LINEAR MOTOR MOUNTING SCREW.
18	382285	FEED DRIVE LINEAR MOTOR MOUNTING BRACKET.
19	354090-451	FEED DRIVE LINEAR MOTOR MOUNTING BRACKET SCREW.
20	383308	NEEDLE BAR DRIVING ARM WITH MOLDED PLASTIC SOCKET.
21	931929-004	NEEDLE BAR DRIVING ARM BALL JOINT SCREW WASHER.
22	354232-451	NEEDLE BAR DRIVING ARM BALL JOINT SCREW.
23	977611-011	LIGHT & LOW BOBBIN DETECTOR HARNESS ASSEMBLY.
24	988470-001	MOUNTING BRACKET ASSEMBLY.
25	354529-451	BRACKET MOUNTING SCREW.
26	604494-001	MOUNTING BRACKET.

NEEDLE BAR DRIVE & HAND WHEEL

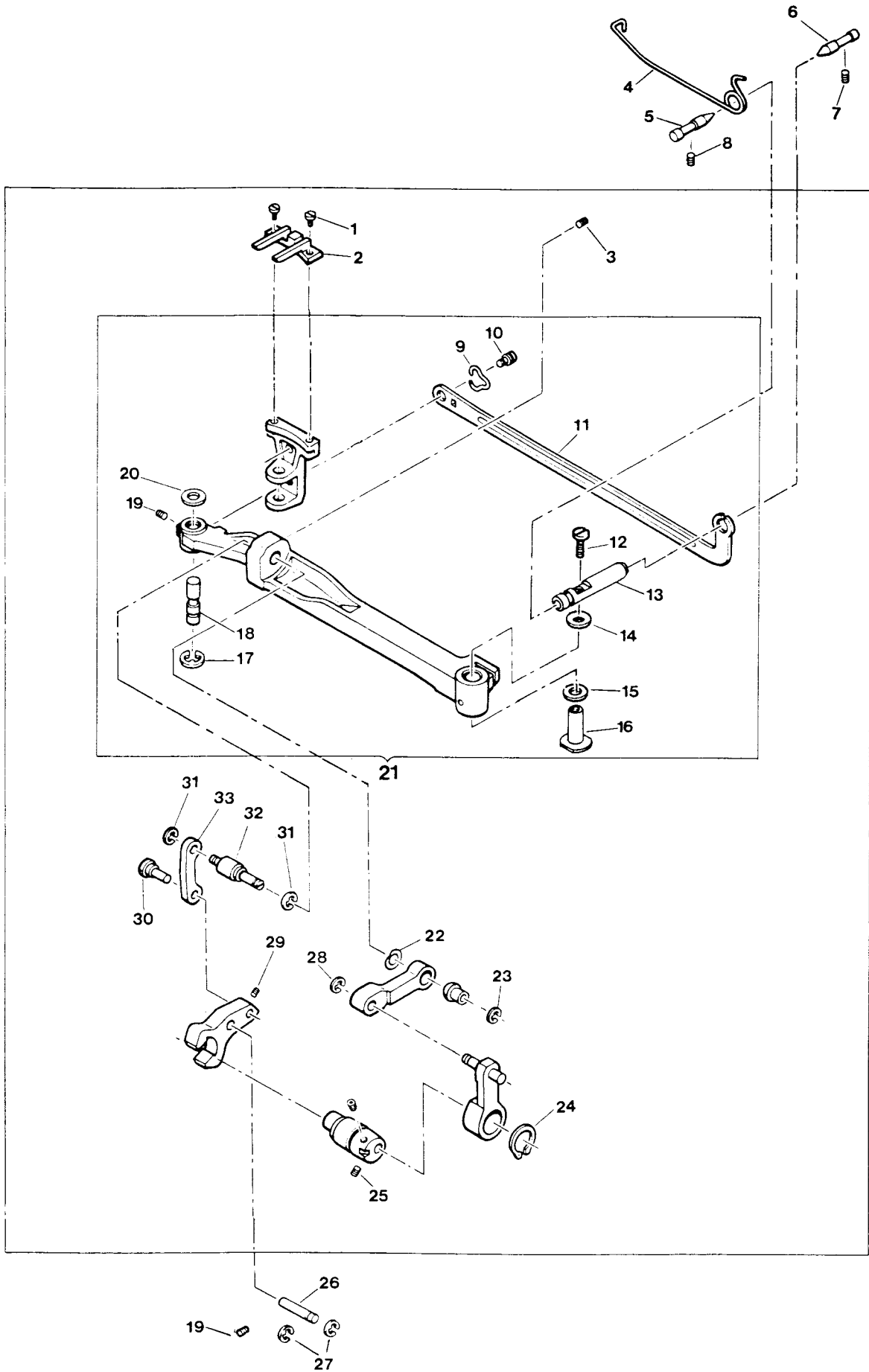
2010A PARTS LIST

REF.	PART NO.	DESCRIPTION
01	354328-451	THREAD TAKE-UP LEVER LINK HINGE STUD SET SCREW.
02	181625	THREAD TAKE-UP LEVER LINK HINGE STUD.
03	384008	THREAD TAKE-UP LEVER ASSEMBLY.
04	383286	THREAD TAKE-UP CRANK (PLASTIC).
05	383267	NEEDLE BAR CONNECTING LINK (383267-900 MACHINED).
06	383234	ARM SHAFT (HORIZONTAL).
07	383958	SHUNT ASSEMBLY.
08	354506-452	SHUNT HOLDER SET SCREW.
09	354565-451	ARM SHAFT (HORIZONTAL) COLLAR SET SCREW.
10	383252	ARM SHAFT (HORIZONTAL) COLLAR.
11	181620	NEEDLE BAR CRANK WASHER (PLASTIC).
11	181620	ARM SHAFT (HORIZONTAL) COLLAR THRUST WASHER (PLASTIC).
12	139999-451	NEEDLE BAR CRANK POSITION SCREW.
13	354565-451	THREAD TAKE-UP CRANK SET SCREW.
14	382319-457	HAND WHEEL.
15	354201-451	HAND WHEEL PULLEY SET SCREW.
16	382320	HAND WHEEL PULLEY.
17	354317-451	HAND WHEEL SCREW.
18	181732	BELT (ROTATING HOOK DRIVE).
19	151576	BELT IDLER PULLEY (SMALL) RETAINING RING.
20	382787	BELT IDLER PULLEY (SMALL) THRUST WASHER.
21	382632	BELT IDLER PULLEY (SMALL) STUD (ECCENTRIC).
22	382255	BELT IDLER PULLEY (SMALL, PLASTIC).
23	382256	BELT IDLER PULLEY (SMALL) STUD (ECCENTRIC).
24	354505-451	BELT IDLER PULLEY (SMALL) STUD (ECCENTRIC) SET SCREW.
25	382254	BELT IDLER PULLEY (LARGE, PLASTIC).
26	382787	BELT IDLER PULLEY (LARGE) THRUST WASHER.
27	151576	BELT IDLER PULLEY (LARGE) RETAINING RING.
28	151525	THREAD TAKE-UP LEVER LINK HINGE RETAINING RING.

NEEDLE BAR DRIVE & HAND WHEEL



FEED DRIVE MECHANISM



FEED DRIVE MECHANISM

2010A PARTS LIST

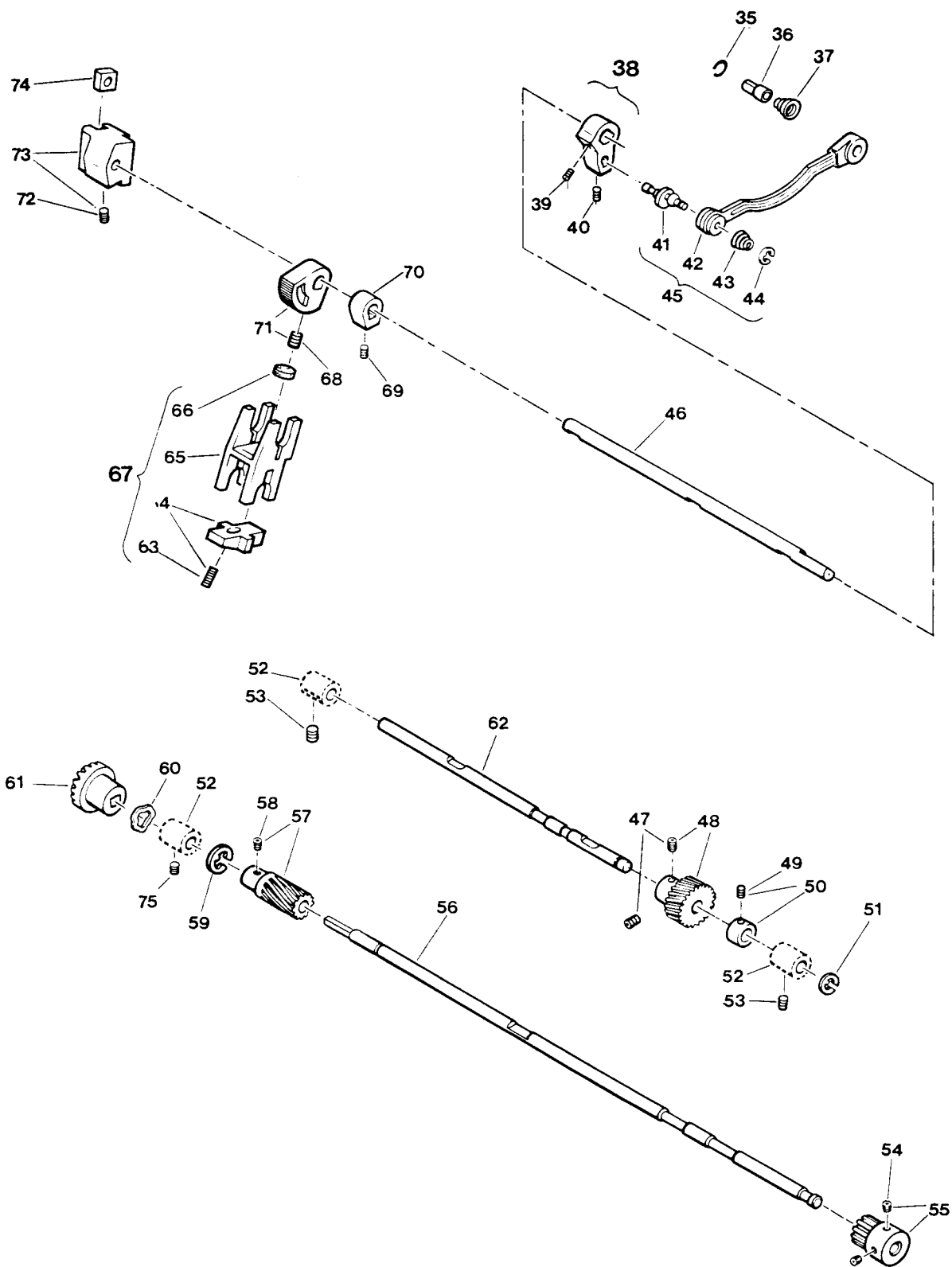
REF.	PART NO.	DESCRIPTION
01	141896-451	FEED DOG SCREW.
02	383334	FEED DOG (383334-900 WITH URETHANE COATING).
03	141812-451	FEED BAR CONNECTION & FEED LIFTING FORK CONNECTION HINGE STUD (ECCENTRIC) SET SCREW.
04	182239	FEED BAR SPRING.
05	182199	FEED BAR PIVOT HINGE STUD ADJUSTING PIN (ECCENTRIC) CENTER (FRONT).
06	383899	FEED BAR HINGE PIN CENTER (BACK).
07	354163-451	FEED BAR PIVOT HINGE STUD ADJUSTING PIN (ECCENTRIC) CENTER (BACK) SET SCREW.
08	139878-869	FEED BAR PIVOT HINGE STUD ADJUSTING PIN (ECCENTRIC) CENTER (FRONT) SET SCREW.
09	511075	FEED DOG HOLDER COMPENSATING LINK RETAINING SPRING.
10	141827-803	FEED DOG HOLDER COMPENSATING LINK SCREW STUD.
11	174216	FEED DOG HOLDER COMPENSATING LINK.
12	514692-451	FEED BAR PIVOT HINGE STUD LOCK SCREW.
13	507823	FEED BAR GUIDE PIN.
14	507824	FEED BAR HINGE PIN WASHER.
15	511211	FEED BAR PIVOT HINGE STUD SPRING WASHER.
16	507822	FEED BAR PIVOT HINGE BEARING.
17	163562	FEED DOG HOLDER STUD RETAINING RING.
18	174217	FEED DOG HOLDER STUD.
19	139878-869	FEED DOG HOLDER STUD SET SCREW.
19	139878-869	FEED LIFTING FORK HINGE STUD SET SCREW.
20	174251	FEED DOG HOLDER WASHER.
21	384058	FEED BAR ASSEMBLY (MACHINED).
22	172947	FEED BAR CONNECTION & FEED LIFTING FORK CONNECTION HINGE STUD (ECCENTRIC) SPRING WASHER.
23	151576	FEED BAR CONNECTION RETAINING RING (LEFT).
24	174277	FEED REGULATOR SLIDE BLOCK DRIVE CONNECTION RETAINING RING.
25	141802-869	FEED LIFTING CAM & FEED ECCENTRIC SET SCREW.
26	511057	FEED LIFTING FORK HINGE STUD.
27	163562	FEED LIFTING FORK HINGE STUD RETAINING RING (LEFT).
28	163562	FEED BAR CONNECTION RETAINING RING (RIGHT).
29	141802-869	FEED LIFTING FORK CONNECTION HINGE STUD (ECCENTRIC) SET SCREW.
30	174220	FEED LIFTING FORK CONNECTION HINGE STUD (ECCENTRIC).
31	163562	FEED LIFTING FORK CONNECTION RETAINING RING.
31	163562	FEED BAR CONNECTION & FEED LIFTING FORK CONNECTION HINGE STUD (ECCENTRIC) RETAINING RING.
32	174247	FEED BAR CONNECTION & FEED LIFTING FORK CONNECTION HINGE STUD (ECCENTRIC).
33	511016	FEED LIFTING FORK CONNECTION.
34	383974	FEED BAR COMPLETE.

FEED DRIVE MECHANISM

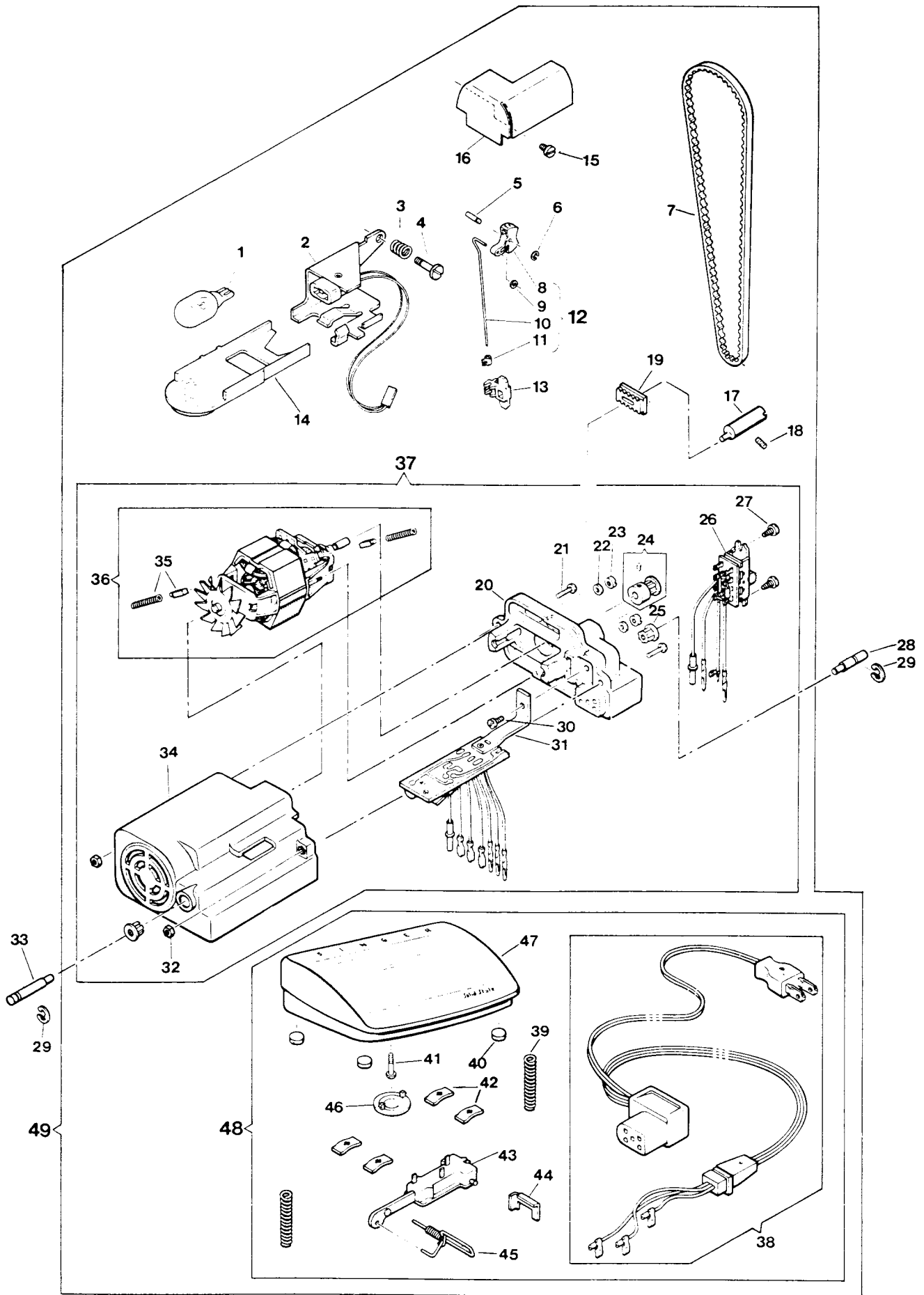
2010A PARTS LIST

REF.	PART NO.	DESCRIPTION
35	383526	FEED REGULATOR SHAFT CRANK CONNECTING LINK RETAINING SLEEVE (BACK) CLAMPING RING.
36	383525	FEED REGULATOR SHAFT CRANK CONNECTING LINK RETAINING SLEEVE (BACK) (PLASTIC).
37	382604	FEED REGULATOR SHAFT CRANK CONNECTING LINK FRICTION SPRING (REAR).
38	382296-001	FEED REGULATOR SHAFT CRANK.
39	139878-869	FEED REGULATOR SHAFT CRANK SET SCREW.
40	354575-451	FEED REGULATOR SHAFT CRANK HINGE STUD (ECCENTRIC) SET SCREW.
41	382894	FEED REGULATOR SHAFT CRANK HINGE STUD (ECCENTRIC).
42	383277	FEED REGULATOR SHAFT CRANK CONNECTING LINK WITH MOLDED PLASTIC SOCKET.
43	382602	FEED REGULATOR SHAFT CRANK CONNECTING LINK FRICTION SPRING (FRONT).
44	381726	FEED REGULATOR SHAFT CRANK CONNECTING LINK RETAINING RING (FRONT).
45	383278	FEED REGULATOR SHAFT CRANK CONNECTING LINK.
46	383014	FEED REGULATOR SHAFT.
47	141338-869	FEED DRIVE SHAFT GEAR (HELICAL, PLASTIC) SET SCREW.
48	383273	FEED DRIVE SHAFT GEAR (HELICAL, PLASTIC).
49	141802-869	FEED DRIVE SHAFT RETAINING COLLAR SET SCREW.
50	174235	FEED DRIVE SHAFT RETAINING COLLAR.
51	163562	FEED DRIVE SHAFT RETAINING RING.
52	383011	FEED DRIVE SHAFT BUSHING (LEFT & RIGHT).
53	139878-869	FEED DRIVE SHAFT BUSHING (LEFT & RIGHT) SET SCREW.
54	141338-869	ROTATING HOOK DRIVE SHAFT BELT PULLEY SET SCREW.
55	174282-001	ROTATING HOOK DRIVE SHAFT BELT PULLEY.
56	383960	ROTATING HOOK DRIVE SHAFT.
57	174488	FEED DRIVE SHAFT DRIVING GEAR (HELICAL, PLASTIC).
58	141772-869	FEED DRIVE SHAFT DRIVING GEAR (HELICAL, PLASTIC) SET SCREW.
59	163562	ROTATING HOOK DRIVE SHAFT RETAINING RING.
60	384000	ROTATING HOOK DRIVE SHAFT SPRING WASHER.
61	383961	ROTATING HOOK DRIVE SHAFT BEVEL GEAR (PLASTIC).
62	383028	FEED DRIVE SHAFT.
63	354643-451	FEED REGULATOR SHAFT BRAKE ADJUSTING BLOCK SET SCREW.
64	383130	FEED REGULATOR SHAFT BRAKE ADJUSTING BLOCK.
65	383082	FEED REGULATOR SHAFT BRAKE GUIDE (PLASTIC).
66	383084-001	FEED REGULATOR SHAFT BRAKE GUIDE FRICTION PAD.
67	383594	FEED REGULATOR SHAFT BRAKE GUIDE COMPLETE.
68	354660-451	FEED REGULATOR SHAFT BRAKE SET SCREW.
69	141802-869	FEED REGULATOR SHAFT COLLAR SET SCREW.
70	181900	FEED REGULATOR SHAFT COLLAR.
71	383079	FEED REGULATOR SHAFT BRAKE.
72	141818-869	FEED REGULATOR SET SCREW.
73	382918	FEED REGULATOR.
74	511030	FEED REGULATOR SLIDE BLOCK.
75	354063	ROTATING HOOK DRIVE SHAFT BUSHING (LEFT) SET SCREW.

FEED DRIVE MECHANISM



ELECTRICAL EQUIPMENT



ELECTRICAL EQUIPMENT

2010A PARTS LIST

REF.	PART NO.	DESCRIPTION
01	605282-002	LAMP.
02	988436-001	LIGHT COMPL..
03	603987-001	LIGHT BRACKET SPRING.
04	988292-001	LIGHT BRACKET MOUNTING SCREW.
05	182046	LIGHT SWITCH ACTUATING ROCKER BUTTON PIN.
06	14494	LIGHT SWITCH ACTUATING ROCKER BUTTON RETAINING RING.
07	603975-002	BELT (MOTOR).
08	182048-007	LIGHT SWITCH ACTUATING ROCKER BUTTON (PLASTIC) (182048-900 WITH GRAPHICS).
09	381513	LIGHT SWITCH ACTUATING ROD RETAINING RING.
10	383940	LIGHT SWITCH ACTUATING ROD.
11	382330	LIGHT SWITCH ACTUATING BRACKET SPRING CLIP.
12	383934-003	LIGHT SWITCH ACTUATING ROCKER BUTTON COMPLETE.
13	382382	LIGHT SWITCH ACTUATING BRACKET (PLASTIC).
14	605283-001	LIGHT LENS.
15	354090-451	LIGHT SHIELD SCREW.
16	605279-001	LIGHT SHIELD.
17	383738	MOTOR ADJUSTING STUD (ECCENTRIC).
18	140455-869	MOTOR ADJUSTING STUD (ECCENTRIC) SET SCREW.
19	604228-001	MOTOR ADJUSTING BLOCK.
20	604035-007	COMMUTATOR END HOUSING W/NAME PLATE.
21	140677-003	ROUND HEAD SCREW NO. 4-40.
22	604018-001	WASHER.
23	603907-002	NUT.
24	604431-002	PULLEY COMPL. W/SET SCREW.
25	604229-001	BUSHING.
26	604783-001	SWITCH COMPLETE.
28	382367	MOTOR HINGE PIN (RIGHT).
29	151527	MOTOR HINGE PIN (LEFT) RETAINING RING.
29	151527	MOTOR HINGE PIN (RIGHT) RETAINING RING.
30	618634-004	SELF TAPPING SCREW.
31	604787-001	CIRCUIT BOARD ASSEMBLY.
32	706404-017	HEX NUT NO. 4-40.
33	383761	MOTOR HINGE PIN (LEFT).
34	604034-003	COVER.
35	619434-002	BRUSH WITH SPRING.
36	604299-002	MOTOR MODULE.
37	6040788-003	MOTOR COMPLETE (U.S.). 988349-001 (EUR.).
38	604278-001	CORD COMPL. (LINE) (U.S.). 604654-001 (EUR.).
39	618542-001	PEDAL RETURN SPRING.
40	619491-002	RUBBER FEET.
41	619192-001	SHOULDER SCREW.
42	618538-002	PUSH-ON NUT.
43	604173-002	STRAIGHT LINE POTENTIOMETER.
44	618813-001	STRAIN RELIEF CLIP.
45	619184-001	ACTUATING LEVER WITH TORSION SPRING.
46	619492-001	SNAP-ON PLUG.
47	619489-003	BASE & PEDAL ASSEMBLED.
48	604280-001	CONTROLLER COMPLETE (U.S.). 988275-001 (EUR.).
49	604789-001	ELECTRICAL EQUIPMENT (110-120 VOLTS). (U.S.). 988348-001 (110-230 VOLTS). (EUR.).

LOGIC AND CONTROL ELECTRONICS

2010A PARTS LIST

REF.	PART NO.	DESCRIPTION
01	383953-451	PATTERN SELECTION CARRIER.
01	383953-452	PATTERN SELECTION CARRIER.
02	988444-001	CONTROL PANEL ASSEMBLY COMPLETE.
02	988444-002	CONTROL PANEL ASSEMBLY COMPLETE. (SUR).
05	354852-451	PATTERN SELECTOR CARRIER SCREW (LEFT).
06	354853-451	PATTERN SELECTION CARRIER MOUNTING BRACKET SCREW.
07	354854-451	PATTERN SELECTION CARRIER SCREW (CENTER).
08	354850-451	PATTERN SELECTOR CARRIER SCREW (RIGHT).
09	988396-006	CONTROL P.C. BOARD ASSEMBLY.
10	988338-001	SENSOR MOUNTING BRACKET.
11	988424-001	PHOTON COUPLED INTERRUPTER HARNESS ASSEMBLY.
12	354856-451	SENSOR MOUNTING BRACKET SCREW.
14	354293-451	LOW BOBBIN LIGHT HARNESS SCREW.
15	618634-004	LOW BOBBIN LIGHT HARNESS SCREW.
16	977611-011	CABLE CLIP.
17	382869	LOW BOBBIN HARNESS CLIP.
18	988432-001	LOW BOBBIN DETECTOR BOARD HARNESS ASSEMBLY.
19	988105-001	LOW BOBBIN DETECTOR LIGHT HOLDER.
20	605749-004	LOW BOBBIN DETECTOR BOARD ASSEMBLY.
21	605346-001	HARNESS COMPL. INTERCONNECT W/L.E.D..
22	605600-001	TY-RAP.
23	354756-451	SENSOR MOUNTING BRACKET MOUNTING SCREW.
24	354734-451	LOW BOBBIN DETECTOR BOARD LIGHT HOLDER MOUNTING SCREW.
25	354090-451	LOW BOBBIN DETECTOR BOARD MOUNTING SCREW.
26	383986	SHUNT SHIELD
27	605289-002	L.E.D..

LOGIC AND CONTROL ELECTRONICS

