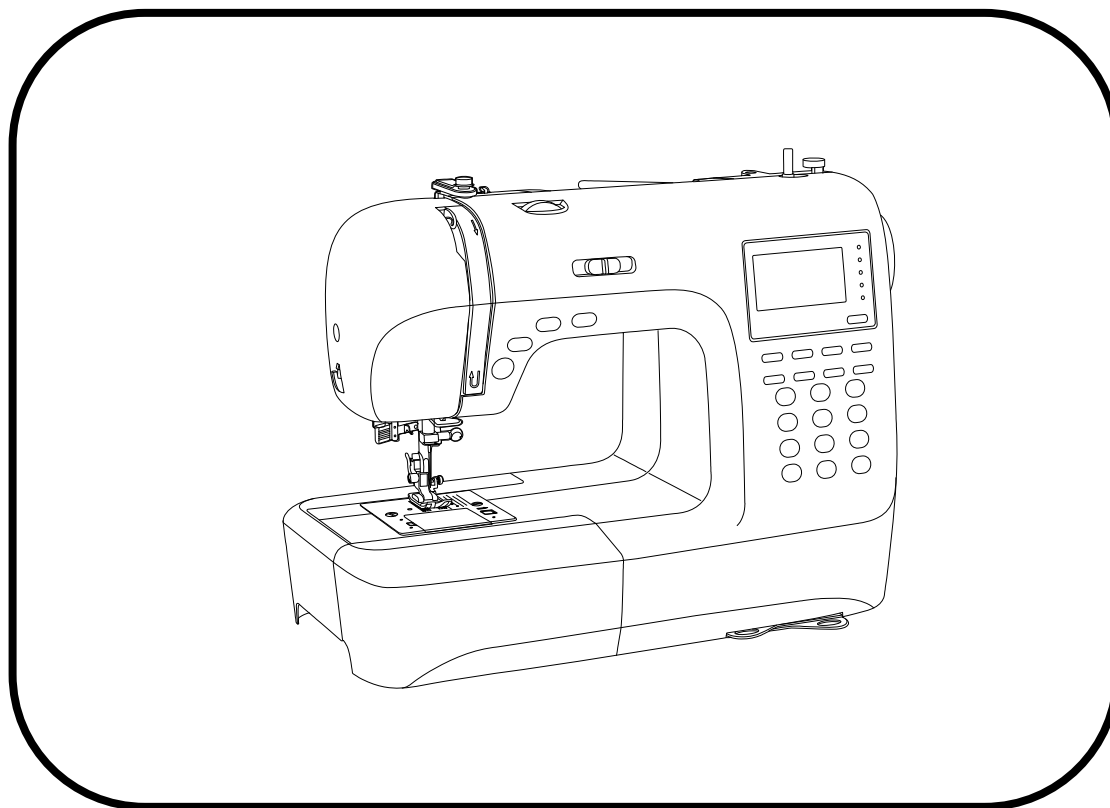


# Parts list



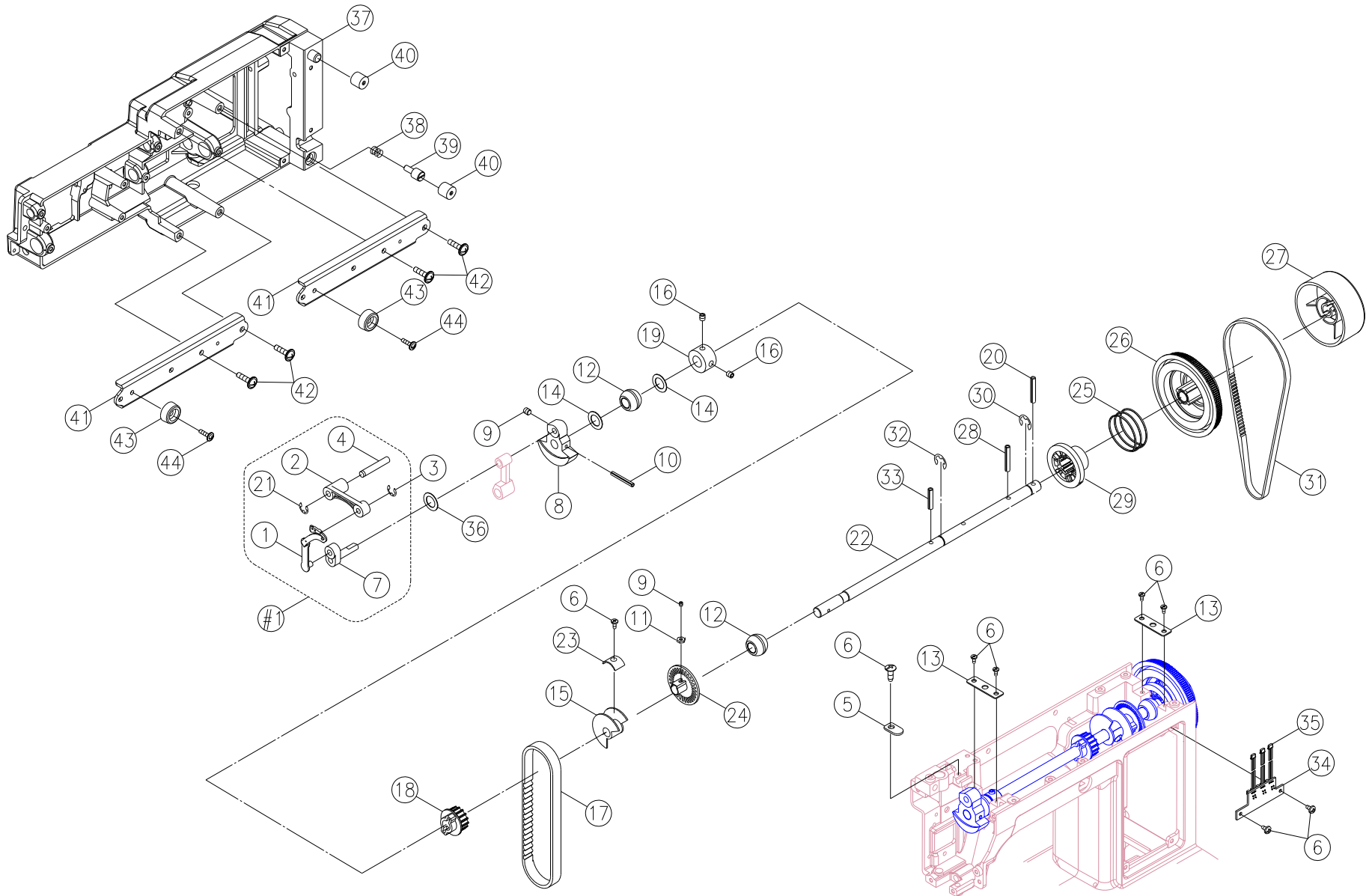
**SINGER®**

**Model 2010**

## ~ List of contents ~

A. Arm shaft .....	1
B. Needle bar supporter, Zigzag pulse motor plate .....	3
C. Needle plate, Dial tension supporter plate cover .....	5
D. Pulse support plate, Feed rock shaft .....	7
E. Rotary hook holder, Feed regulating .....	9
F. DC Motor complete, Main circuit board .....	11
G. Free arm foot bush , Back cover .....	13
H. Face plate , Front cover .....	15
I. Sewing table body.....	17
J. Accessories .....	19

A. Arm shaft

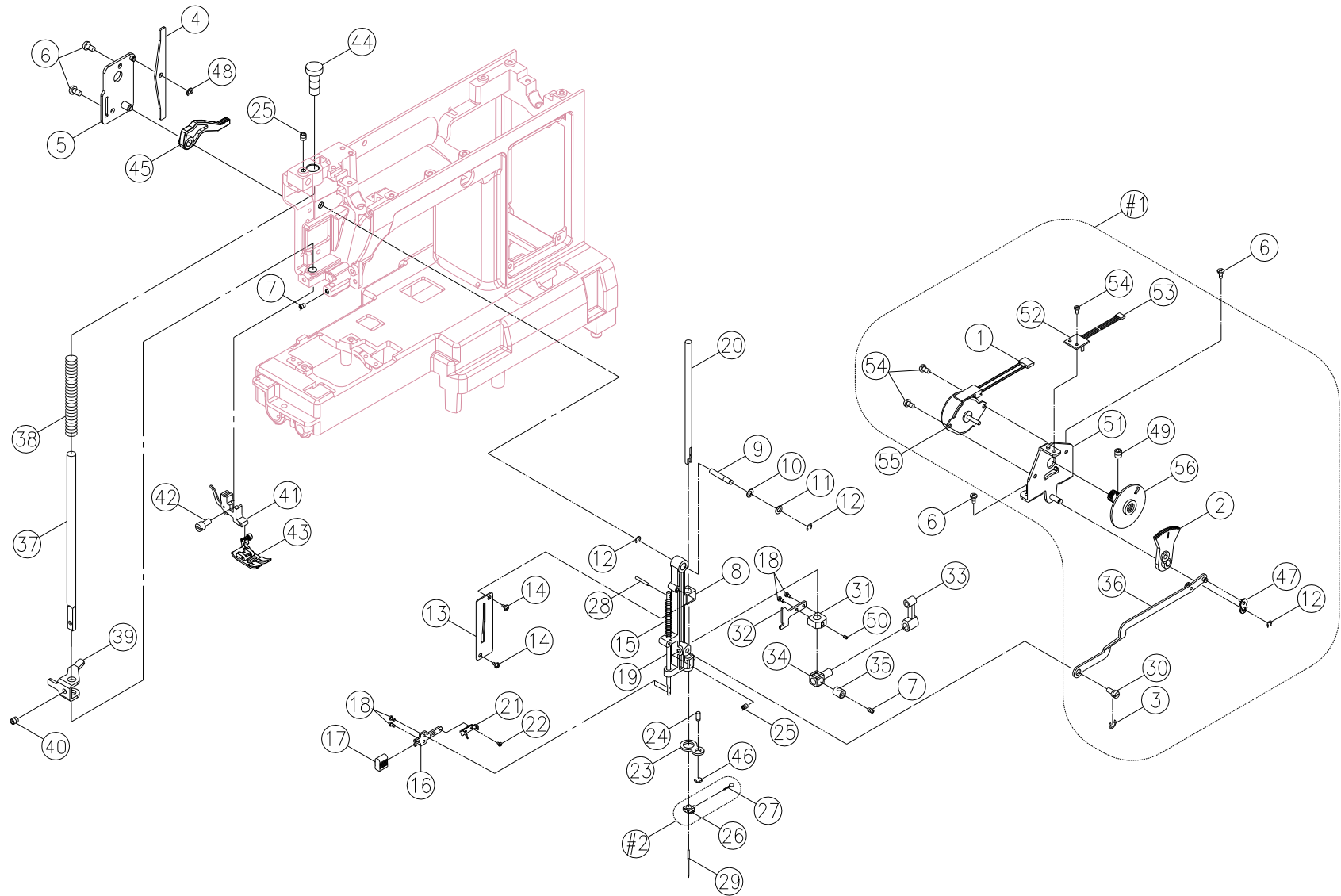


## A. Arm shaft

No.	Part No.	Description	Remark
1	E1A2685000	Thread take up lever complete	
2	E1A2653000	Thread take up lever supporter	
3	003010036	E-Ring ( ETW-3 )	
4	V60223003	Thread take up lever supporter shaft	
5	H13093003	Set washer	
6	004240106	Set screw ( M4×8A )	
7	E1A2663000	Arm shaft balance pin complete	
8	E1A2213000	Arm shaft balance	
9	004240223	Set screw (M4×6)	
10	003043524	Arm shaft balance pin ( $\phi$ 3.5×24 )	
11	004840022	Nut (M4 t=3)	
12	R10293000	Arm shaft bushing	
13	E1A2623003	Arm shaft bushing holder plate	
14	004400080	Endure attrition washer	
15	D3A0033000	Rotary sensor collar	
16	004250203	Set screw ( M5×5 )	
17	00742505M6	Motor drive belt	
18	H1A0403000	Arm shaft sprocket	
19	R10313000	Arm shaft collar	
20	003043030	Spring pin ( $\phi$ 3×30 )	
21	003010043	E-Ring ( ETW-4 )	
22	H1A0033000	Arm shaft	
23	D3A0043002	Arc washer	
24	008410000	Revolution control panel	
25	D5A0573003	Arm shaft clutch annulus spring	
26	H1A0103000	Arm shaft drive belt pulley	
27	H1A1403209	Hand wheel	
28	003043028	Spring pin ( $\phi$ 3×28 )	
29	D5A0583000	Arm shaft collar	
30	003010083	E-Ring ( ETW-8 )	
31	00749402M5	Motor drive belt ( 2M )	
32	003010093	E-Ring ( ETW-9 )	

No.	Part No.	Description	Remark
33	003043018	Spring pin ( $\phi$ 3×18 )	
34	008H1A0003	Photo sensor plate	
35	008H1A0004	Photo sensor thread	
36	0044000020	Endure attrition washer	
37	H1A0013000	Arm	
38	E1A2573006	Base plate adjustment screw spring	
39	K82133006	Base plate adjustment screw	
40	K6A0063000	Free arm base cushion rubber	
41	H1A0413006	Free arm base cushion	
42	004250426	Set screw ( M5×10 )	
43	F31103000	Free arm base cushion rubber	
44	004240586	Set screw ( M4×8 )	
#1	D3A0974000	Thread take up lever complete	

**B. Needle bar supporter, Zigzag pulse motor plate**

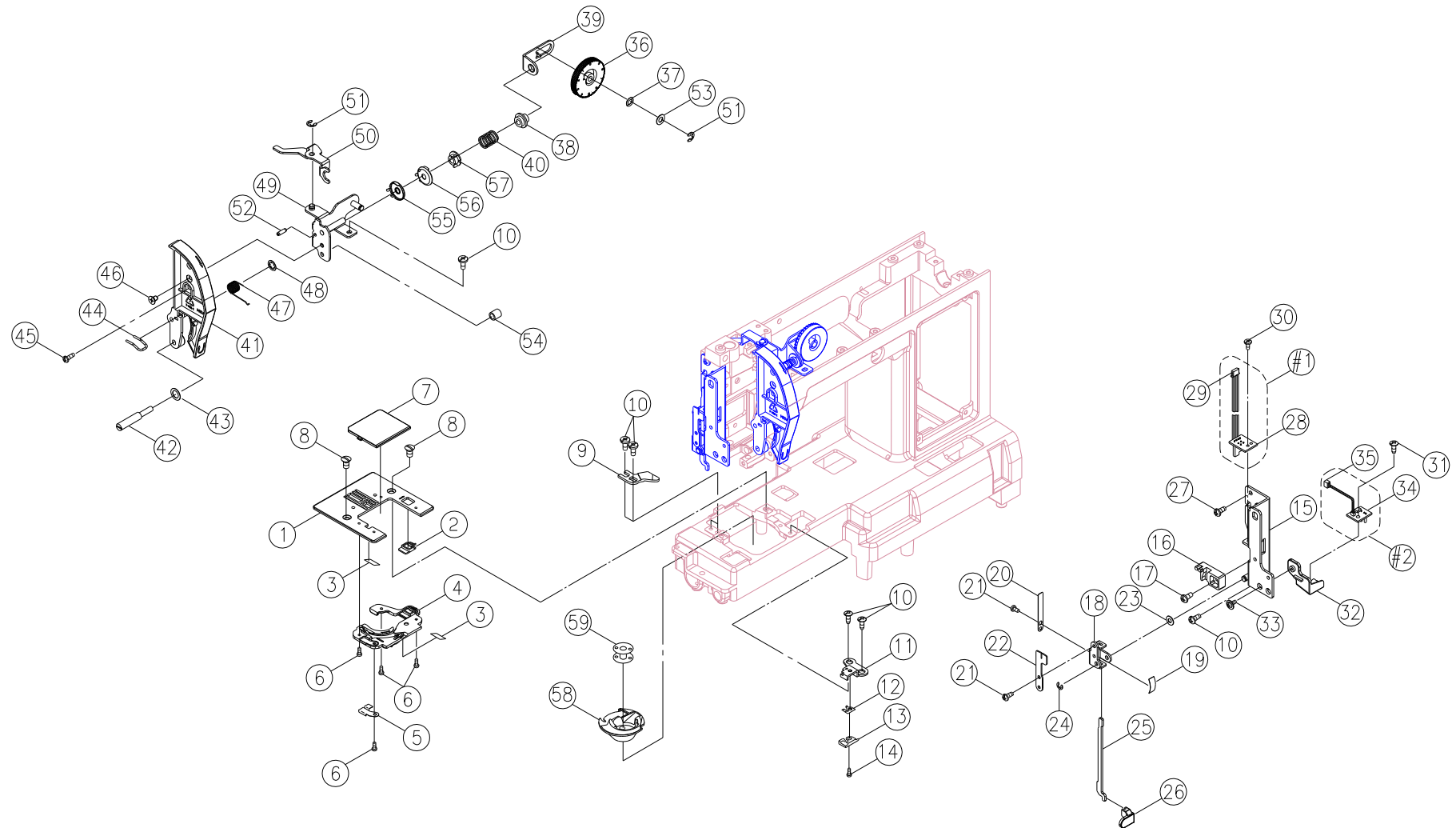


## B. Needle bar supporter, Zigzag pulse motor plate

No.	Part No.	Description	Remark
1	002P4C0006	Zigzag pulse motor lead cord	
2	H1A0183000	Zigzag crank gear	
3	003010053	E-Ring (ETW-5)	
4	H1A0063003	Tension lever lifter	
5	H1A0053003	Clamp plate	
6	004240106	Set screw (M4×8 A)	
7	004240503	Set screw (M4×4)	
8	Q6A0053000	Needle bar supporter	
9	P3A0183000	Needle bar supporter pin	
10	004500670	Washer (WW-6)	
11	004300043	Washer (6.5×13×1)	
12	003010046	E-Ring (ETW-4)	
13	H2A0093003	Threading guide	
14	004230016	Set screw (M3×6 A)	
15	P3A0253003	Threading shaft spring	
16	P3A0273001	Threading plate	
17	P3A0283000	Threading button	
18	004220203	Set screw (M2×4)	
19	G4A1543003	Threading shaft	
20	V70273000	Needle bar	
21	P3A0295000	Threading shaft complete	
22	004216022	Set screw (M1.6×3)	
23	Q6A0063003	Needle bar supporter	
24	E1A0203003	Needle bar supporter plate pin	
25	004240033	Set screw (M4×5)	
26	TA11033002	Needle clamp	
27	G10176002	Needle clamp set screw	
28	003045014	Pin (ø2×14)	
29	006176008	Needle (#14)	
30	V6E0413000	Needle bar driving rod pin	
31	P3A0213000	Threading stopper	
32	H2A0083003	Threading stop holder	

No.	Part No.	Description	Remark
33	F4A3343000	Needle bar crank rod	
34	H10253000	Needle bar bracket (1)	
35	H10263000	Needle bar bracket (2)	
36	H1A0143003	Needle bar driving rod	
37	V70153002	Presser bar	
38	E1A2493003	Presser bar spring	
39	H1A0093003	Presser bar bracket	
40	004240223	Set screw (M4×6)	
41	006187008	Shank complete	
42	004106021	Set screw (9/64×40×7.5)	
43	006186008	Zigzag presser foot	
44	K6B0563209	Presser bar regulating screw complete	
45	H1A0073000	Presser bar lifter lever	
46	003010043	E-Ring (ETW-4)	
47	P3C0123002	Needle bar driving rod plate	
48	003010036	E-Ring ( ETW-3 )	
49	004230433	Set screw ( M3×3 )	
50	004230203	Set screw (M3×4 C)	
51	H1A0163002	Zigzag pulse motor plate	
52	008P4C0007	Zigzag photo sensor plate	
53	002D5A0005	Zigzag photo sensor wire	
54	004230702	Set screw ( M3×5A )	
55	001D5A0001	Pulse motor	
56	R1A1394000	Pulse motor gear complete	
#1	H1A0154000	Zigzag pulse motor plate complete	
#2	TA11034000	Needle clamp complete	

C. Needle plate, Dial tension supporter plate cover



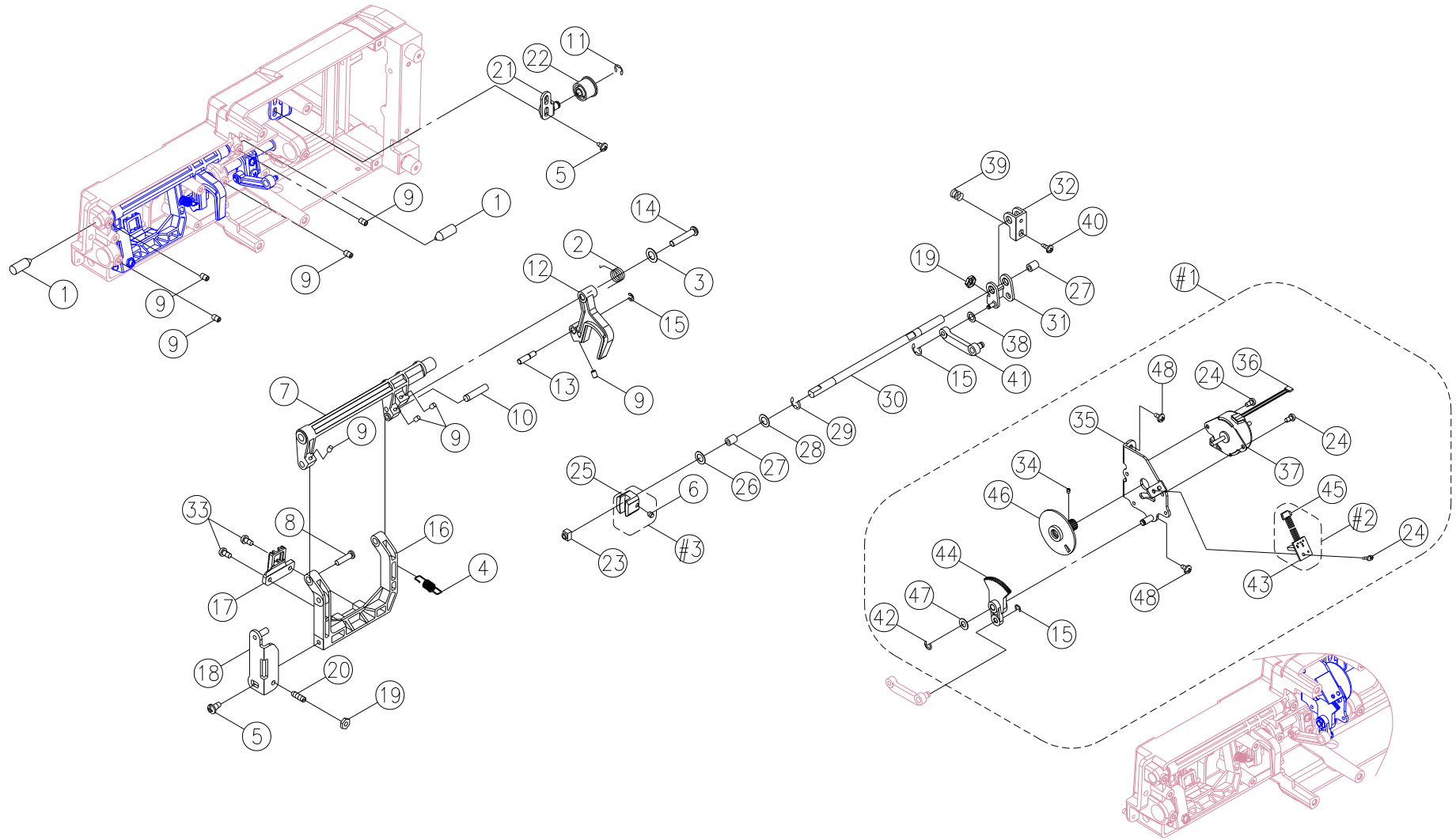
## C. Needle plate, Dial tension supporter plate cover

No.	Part No.	Description	Remark
1	H2A0033004	Needle plate	
2	NB0233000	Needle plate cover open	
3	V630593000	Thread cutter	
4	H2AA013000	Needle plate supporter	
5	E1A2603000	Needle plate spring	
6	0042200016	Set screw (M2X3)	
7	H2A0053000	Needle plate cover	
8	004240851	Set screw (M4×6)	
9	E1A0593002	Rotary hook plate	
10	004240056	Set screw (M4×6 B)	
11	E1A0603002	Rotary hook plate (2)	
12	F30893000	Rotary hook plate spring (2)	
13	F30883000	Rotary hook plate spring (1)	
14	004220056	Set screw (M2×2.5)	
15	H1A0273006	BH lever plate	
16	P3C0203209	BH movement crank	
17	004230016	Set screw (M3×6A)	
18	P3C0173003	BH lever crank	
19	E1A1483003	BH spring plate	
20	D3A0473000	BH lever crank spring	
21	004230056	Set screw ( M3×5B )	
22	P3C0193003	Photo plate	
23	004300713	Washer (5.2×10×0.2)	
24	003010036	E-Ring ( ETW-3 )	
25	P3C0183002	BH lever	
26	H1AA023209	BH lever button	
27	004240106	Set screw (M4×8A)	
28		Photo sensor plate (for H10A/20A/H30A/H40A)	
	008H5A0006	Photo sensor plate (2010)	
29		Photo sensor wire (for H10A/20A/H30A/H40A)	
	008H5A0007	Photo sensor wire (2010)	
30	004230702	Set screw (M3×5A)	
31	004230082	Set screw (M3×6B)	

No.	Part No.	Description	Remark
32	H1A0553209	LED holder	
33	004231016	Set screw ( M3×5 )	
34	008H1A0018	LED light lamp	
35	008H1A0019	LED lamp line	
36	K5BD013209	Dial tension knob	
37	004500360	Washer (ww-5)	
38	K50193000	Dial tension regulator	
39	K6B0193006	Dial tension spring plate	
40	NB1083000	Dial tension spring	
41	H1A1373209	Dial tension supporter plate cover	
42	004240982	Set screw (M4)	
43	004300926	Washer (4.1*8*1)	
44	P3A1353001	Thread guide	
45	004240146	Set screw ( M4×15B )	
46	004240176	Set screw ( M4×6 )	
47	V60303000	Thread guide spring	
48	003020053	CS ring (CS-5)	
49	K6B0183002	Dial tension supporter plate	
50	H1A1383003	Dial tension waft plate	
51	003010043	E-Ring (ETW-4)	
52	003043010	Pin	
53	004300643	Washer(5.2×10×0.5)	
54	H11103001	Dial tension guide spring tube	
55	J30423001	Dial tension disc (1)	
56	E1A2333001	Dial tension disc	
57	R10593000	Dial tension spring regulator	
58	Q6A0764000	Shuttle hook complete	
59	006084009	Bobbin	
#1		Photo sensor complete(for H10A/20A/H30A/H40A)	
	008H5A0005	Photo sensor complete (2010)	
#2	008H1A0017	LED light lamp complete	



D. Pulse support plate, Feed rock shaft

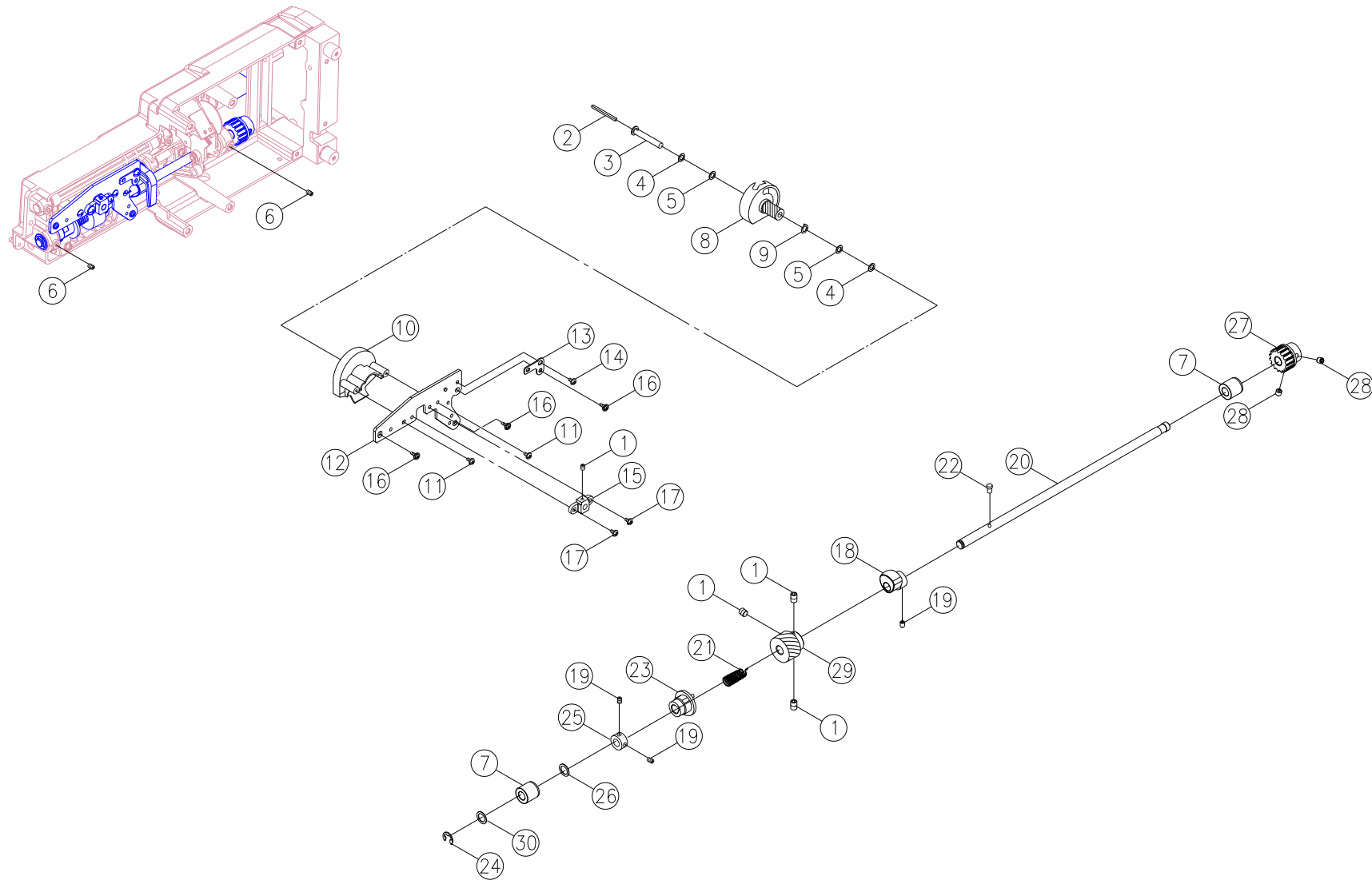


## D. Pulse support plate, Feed rock shaft

No.	Part No.	Description	Remark
1	P3A0613000	Feed crank shaft	
2	P3A0933003	Feed rock crank spring	
3	004300733	Washer (5.2×12×1)	
4	P3A0603003	Feed dog spring	
5	004240106	Set screw ( M4×8 A )	
6	004240503	Set screw (M4×4)	
7	P3A0513000	Feed rock shaft	
8	P3A0533003	Feed dog shaft	
9	004240223	Set screw ( M4×6 )	
10	E1A0403003	Feed rock frame shaft (2)	
11	003010043	E-Ring (ETW-4)	
12	P3A0573000	Feed rock crank	
13	P3A0593000	Regulating block shaft	
14	P3A0583003	Feed rock shaft	
15	003010036	E-Ring ( ETW-3 )	
16	P3A0523000	Feed dog supporter	
17	H1A0363000	Feed dog	
18	P3A0553002	Feed lifting rock crank	
19	004840106	Adjusting nut (ALN-4)	
20	004241093	Set screw (M4×0.7 L9)	
21	H1A0433003	Belt adjusting plate	
22	H1A0453000	Belt adjusting plate pulley	
23	F31403000	Feed regulating block	
24	004230702	Set screw (M3×5A)	
25	F31393000	Feed regulating	
26	004400570	Endure attrition washer	
27	R11443000	Feed rock bushing	
28	004300123	Washer ( 6.7×12×1 )	
29	003011052	E-Ring ( ETW-5 )	
30	H1A0203000	Feed regulating shaft	
31	D3A0273003	Feed regulating crank	
32	D3A0263003	Feed crank	

No.	Part No.	Description	Remark
33	004235016	Set screw (M3.5×0.6 L8)	
34	004230433	Set screw (M3×3)	
35	H1A0223002	Pulse support plate	
36		Pulse motor lead cord (H10A/H20A/H30A/H40A)	
37		Pulse motor complete (H10A/H20A/H30A/H40A)	
	008D8A0006	Pulse motor complete (2010)	
38	004300136	Washer (4.2×8×0.8)	
39	D3A0293003	Feed regulating crank spring	
40	004241202	Feed regulating crank set screw	
41	D3A0943000	Feed rock rod	
42	003010046	E-Ring ( ETW-4 )	
43	008D5A0026	Photo sensor plate	
44	P3C0243000	Feed rock crank gear	
45	002D5A0006	Feed wire	
46	R1A1394000	Pulse motor gear complete	
47	004300643	Washer (5.2×10×0.5)	
48	004230016	Set screw (M3×6A )	
#1		Pulse support plate complete (for H10A/H20A/H30A/H40A)	
	H5A0094000	Pulse support plate complete (2010)	
#2	008D5A0016	Photo sensor complete	
#3	D3A1674000	Feed regulating complete	

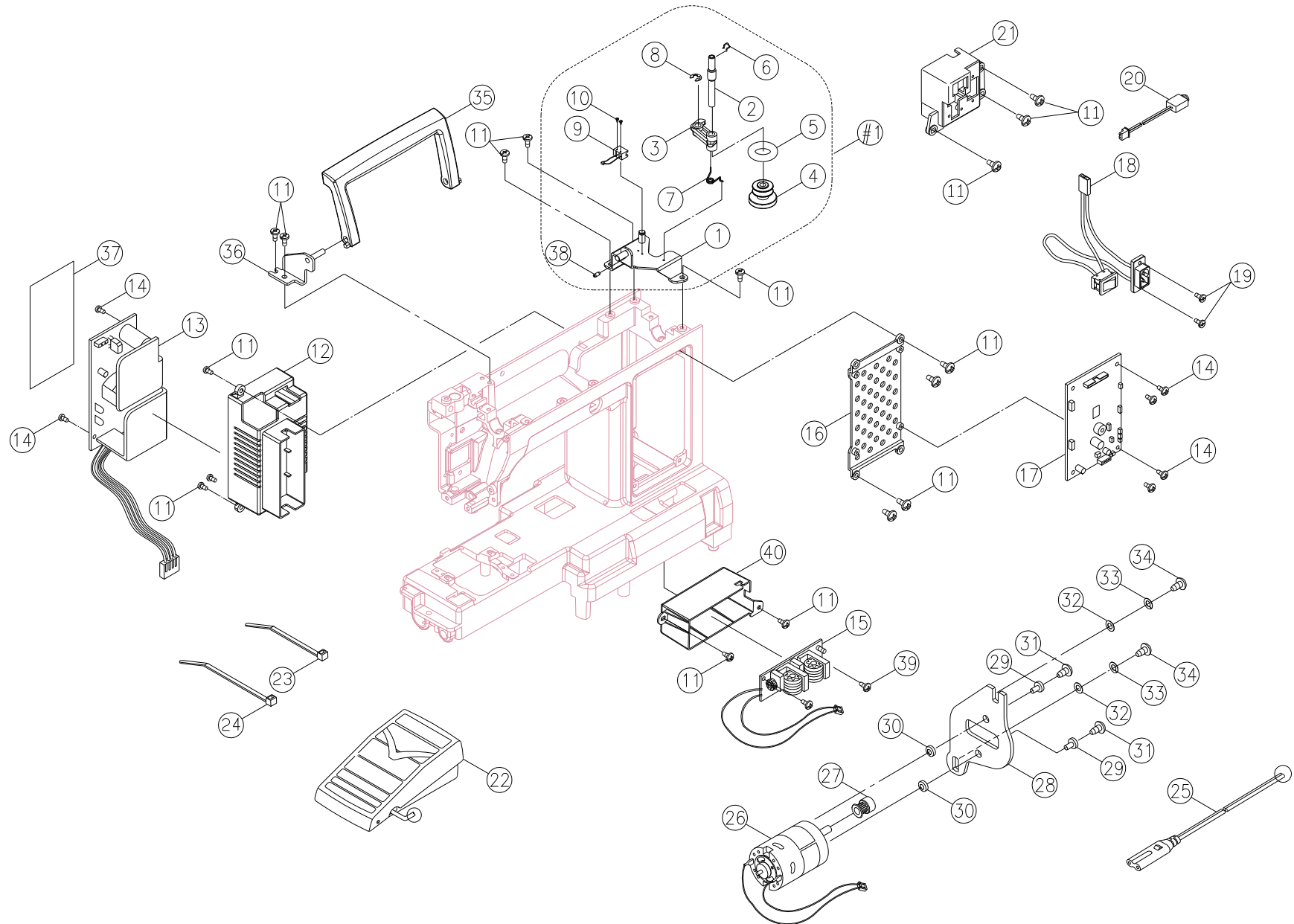
E. Rotary hook holder, Feed regulating



## E. Rotary hook holder, Feed regulating

No.	Part No.	Description	Remark
1	004240033	Set screw ( M4×5 )	
2	NB0693000	Bobbin shaft oil cloth	
3	E1A2033000	Bobbin shaft	
4	NB0673000	Bobbin shaft washer (2)	
5	004400840	Endure attrition washer	
6	004240223	Set screw ( M4×6 )	
7	E1A0283000	Lower shaft bushing	
8	Q6A0704000	Shuttle hook holder	
9	NB0683000	Bobbin shaft washer (3)	
10	E1A0563000	Shuttle hook cover	
11	004230066	Set screw ( M3×12 )	
12	H1A0383006	Rotary hook holder	
13	P3A0493003	Rotary hook holder positioned plate	
14	004240056	Set screw ( M4×6 B )	
15	E1A0543000	Rotary hook supporter	
16	004240586	Set screw ( M4×8 )	
17	004240106	Set screw ( M4×8 A )	
18	H1A1503000	Feed rock cam	
19	004240503	Set screw (M4×4)	
20	H1A0133000	Lower shaft	
21	P3A0443003	Lower shaft spring	
22	P3A0433003	Feed lifting rock com pin	
23	P3A0423000	Feed lifting rock cam	
24	003010063	E-Ring ( ETW-6 )	
25	V11553003	Lower shaft collar	
26	004400830	Endure attrition washer	
27	H1A0463000	Lower shaft belt pulley	
28	004250203	Set screw ( M5×5 )	
29	P3A1133000	Lower shaft gear	
30	004300936	Washer ( 8.2×12×0.5 )	

F. Free arm foot, Free arm base, Dial tension supporter

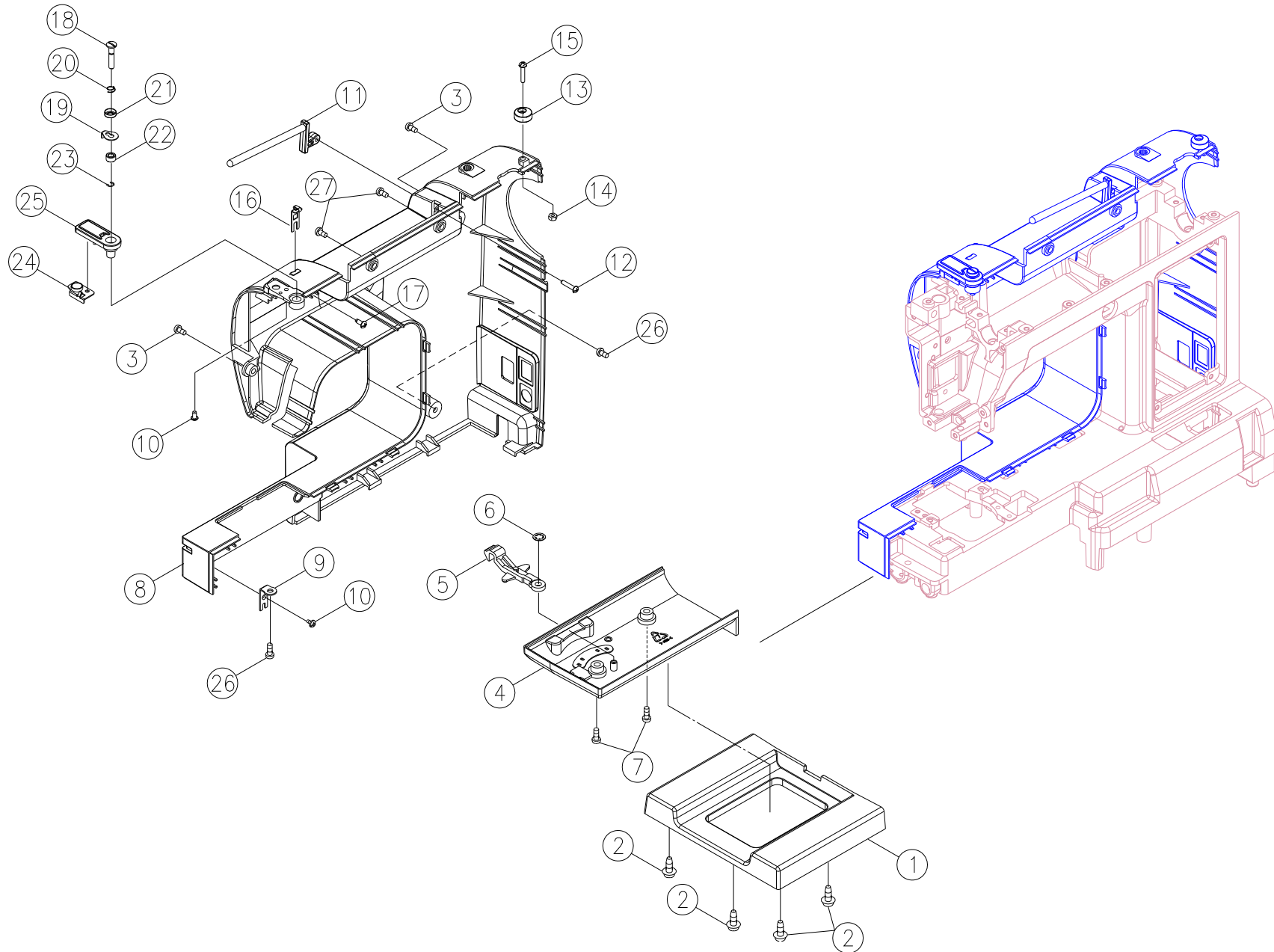


## F. Free arm foot, Free arm base, Dial tension supporter

No.	Part No.	Description	Remark
1	H1A0245006	Bobbin winder plate	
2	K6B0603001	Bobbin winder crank	
3	K6A0563000	Bobbin winder crank	
4	D5A0633000	Bobbin winder pulley	
5	F20213000	Bobbin winder rubber pulley	
6	F20193000	Bobbin winder crank spring	
7	K6A0573003	Bobbin winder crank spring	
8	003010053	E-Ring ( ETW-5 )	
9	008P4C0016	Micro switch	
10	004220112	Set screw (M2*0.4*7.5)	
11	004240106	Set screw (M4*8A)	
12	H1A0533209	HF transformer box	
13		HF transformer complete (for 230V) EU.	
	008H1A0031	HF transformer complete (for 120V) UL	
14	004230216	Set screw ( M3*8.5 )	
15	008H1A0022	EMC circuit board	
16	H1A0543209	Frame of main circuit board	
17		Main circuit board (H10A)	
		Main circuit board (H20A)	
		Main circuit board (H30A)	
		Main circuit board (H40A)	
	008H5A0001	Main circuit board (2010)	
18	008H1A0028	Switch receptacle ass'y	
19	004230326	Set screw (M3*12B)	
20	008D5A0030	Controller receptacle	
21	H1A0513209	Receptacle holder	
22	001496409	Foot controller (C-9000)	
23	002030129	Cord clip(L=12)	
24	002549129	Cord clip(L=20)	
25	002D6B0001	Power cord (for 120V) UL	
		Power cord (for 230V) EU.	
		Power cord (for 240V) U.K	

No.	Part No.	Description	Remark
26	001D5A0002	DC Motor complete	
27	D5A0663000	Motor wheel	
28	H1A0303006	Motor bracket	
29	P3C0443000	Insulation spacer	
30	P3C0453000	Insulation spacer	
31	004230536	Set screw (M3*10)	
32	004300306	Washer(5.4*10*0.9)	
33	004600296	Spring washer (5.1*9.2*1.3)	
34	004250086	Set screw (M5*12)	
35	H1A1413209	Handle	
36	V62033006	Arm top cover plate complete	
37	008H1A0027	SMPS Insulating slice	
38	003043008	Spring pin	
39	004230082	Set screw (M3*6B)	
40	H1A0523209	EMC circuit board cover	
#1	H1A0564000	Bobbin winder complete	

G. Free arm foot bush , Back cover

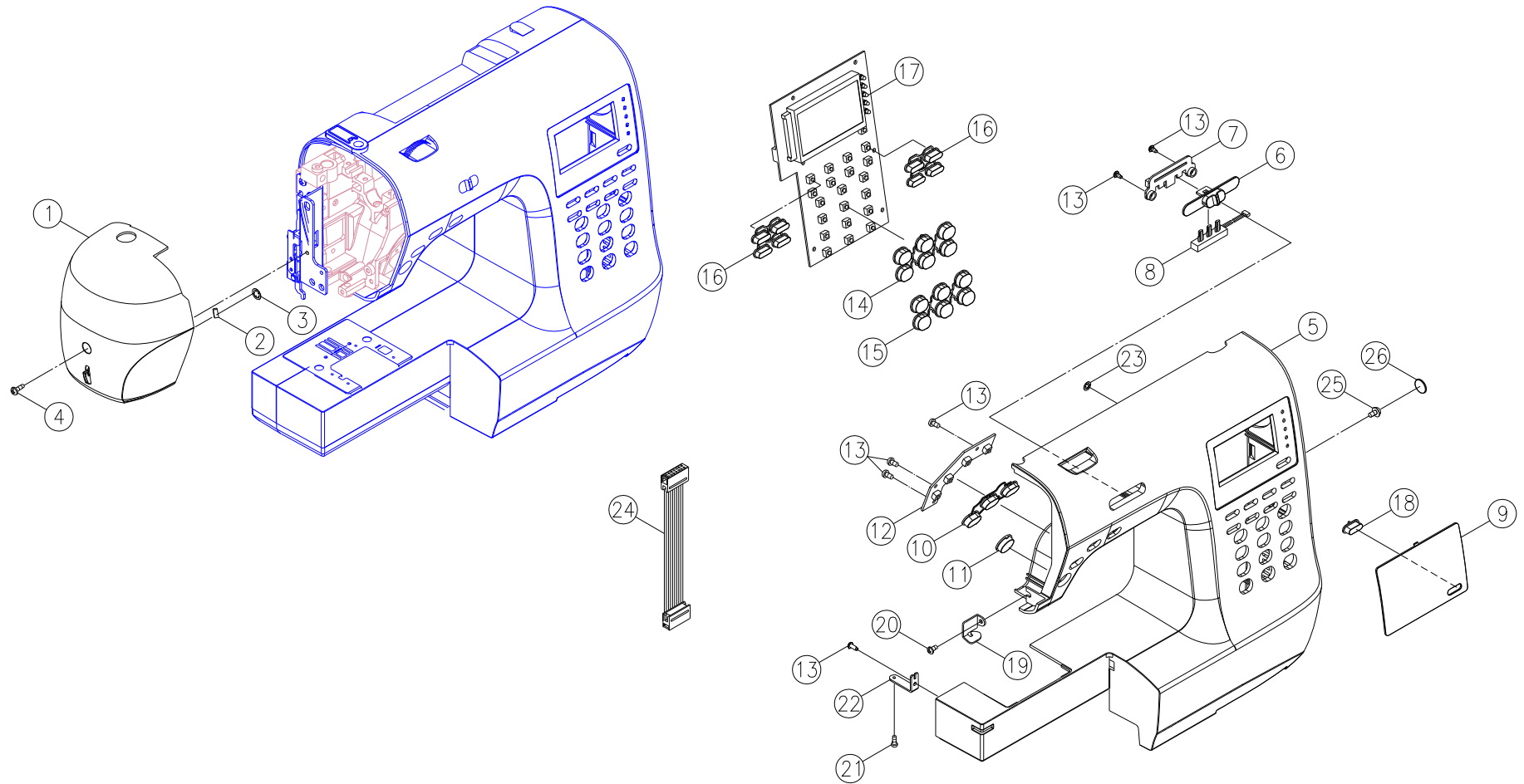


## G. Free arm foot bush , Back cover

No.	Part No.	Description	Remark
1	H1A1393209	Free arm foot bush	
2	004230216	Set screw ( M3×8.5 )	
3	004240106	Set screw ( M4×8A )	
4	H1AA013209	Free arm base	
5	P3C0483209	Tooth lever arm	
6	003020053	CS-ring (CS-5)	
7	004240136	Set screw ( M4×12B )	
8	H5AB013209	Back cover	
9	E1A1673002	Arm back cover set plate	
10	004230086	Set screw ( M3×6B )	
11	V610443209	Spool rod	
12	004230646	Set screw ( M3×16.7B )	
13	K6B0393000	Bobbin winder stopper	
14	004706013	Nut (9/64×40 t=3)	
15	004106162	Set screw (9/64*40*16 B)	
16	F91333001	Thread guide	
17	004230842	Set screw ( M3×8 )	
18	P3A1503001	Bobbin winder thread guide adjusting	
19	P3A1513001	Bobbin winder thread guide	
20	P3A1533001	Bobbin winder thread guide spring	
21	P3A1463001	Bobbin winder spring disc	
22	P3A1523006	Spacer	
23	003010036	E-Ring ( ETW-3 )	
24	V6E0395000	Thread guide complete	
25	P3A1483209	Bobbin winder thread guide disc	
26	004240056	Set screw ( M4×6B )	
27	004240526	Set screw ( M4×12B )	



## H. Face plate , Front cover

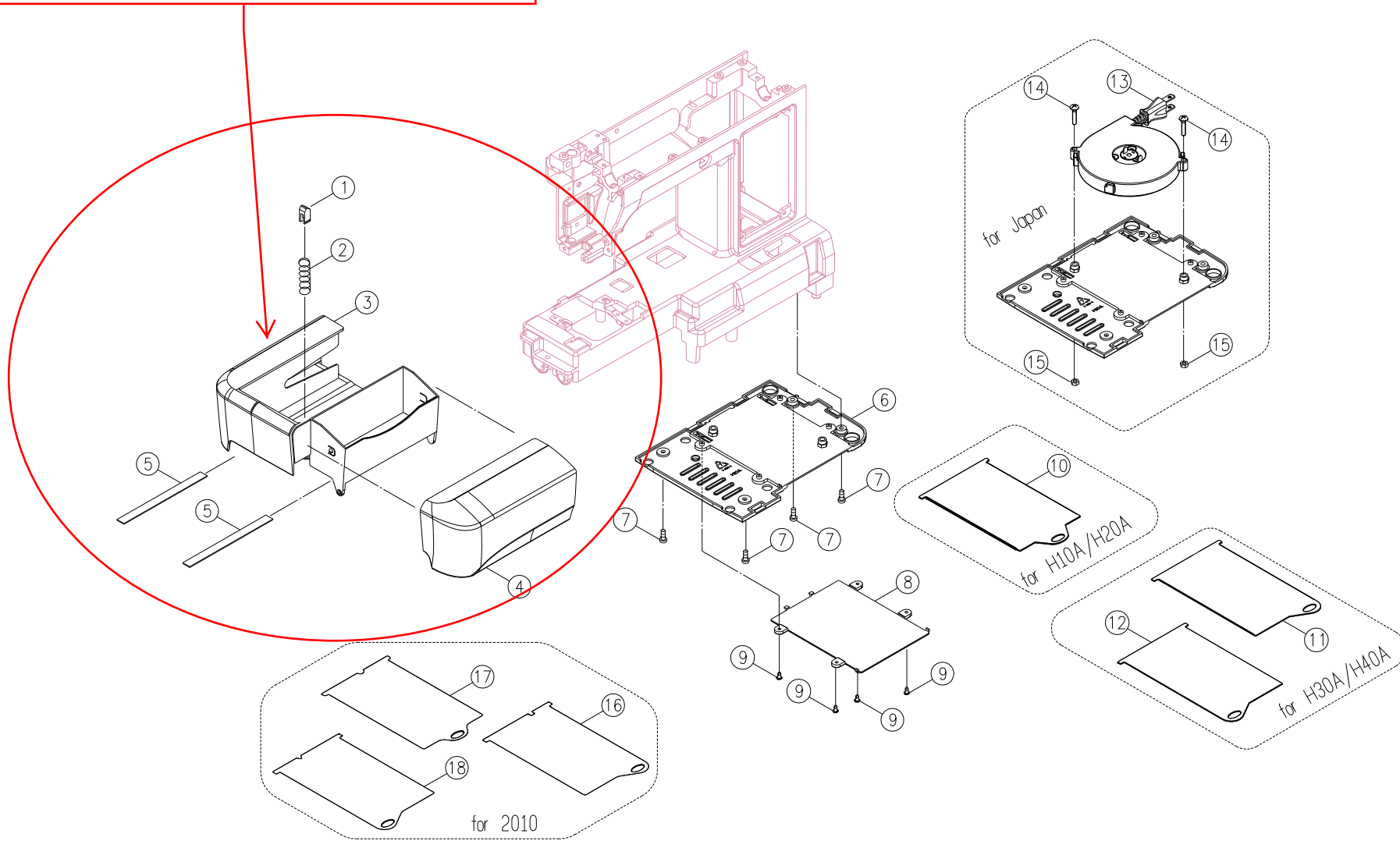


## H. Face plate , Front cover

No.	Part No.	Description	Remark
1	H5AF013209	Face plate	
2	V630593000	Thread cutter	
3	003020053	CS ring (CS-5)	
4	004241061	Set screw ( M4×12A )	
5	H5AC013209	Front cover	
6	H1A1203209	Slide volume knob	
7	H1A1223209	Slide volume knob connector	
8	008P2C0009	Slide volume	
9	H5AA013031	LCD cover	
10	H1AD023209	Function select key	
11	H5AN013209	Start/stop push button	
12	008H5A0010	Key plate	
13	004230126	Set screw ( M3×8B )	
14	H5AN023209	Numeral knob (1)	
15	H5AN033209	Numeral knob (2)	
16	H5A0073209	Function select key (2)	
17	008H5A0002	LCD key plate	
18	H5A0063209	Function select key (1)	
19	E1A1883001	Arm top cover thread guide plate	
20	004240106	Set screw ( M4×8A )	
21	004230216	Set screw ( M3×8.5 )	
22	E1A1623002	Arm front cover set plate	
23	003020033	CS ring	
24	002P4C0008	Row line	
25	004240586	Set screw ( M4×8 )	
26	E9R0803209	Plug	

# I. Sewing table body

## H1A1344209 Sewing Table, Complete Assembly

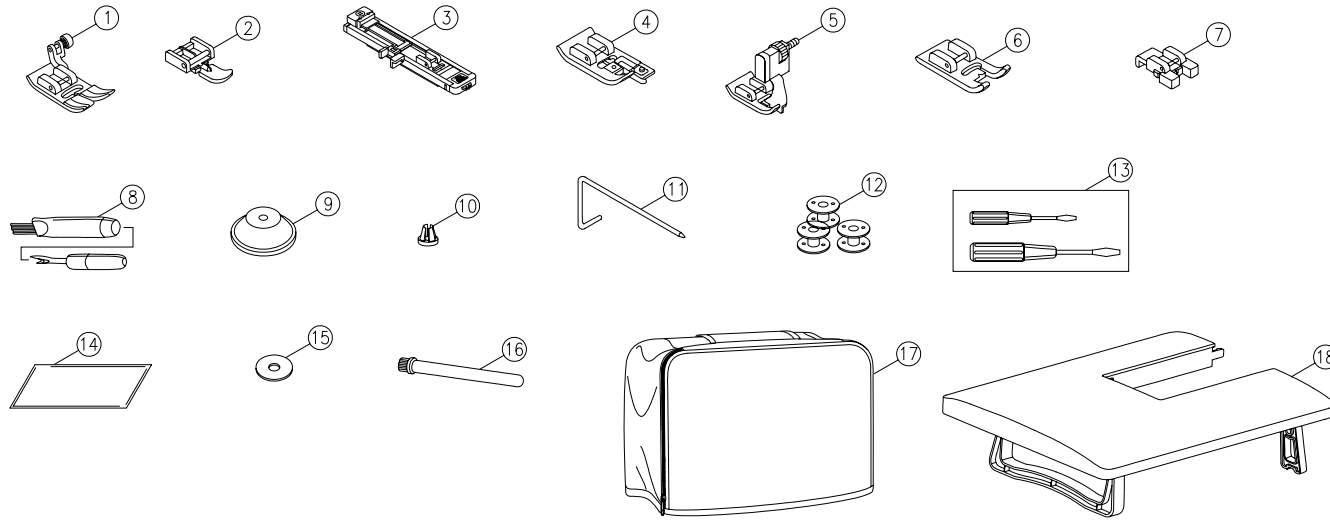


## I. Sewing table body

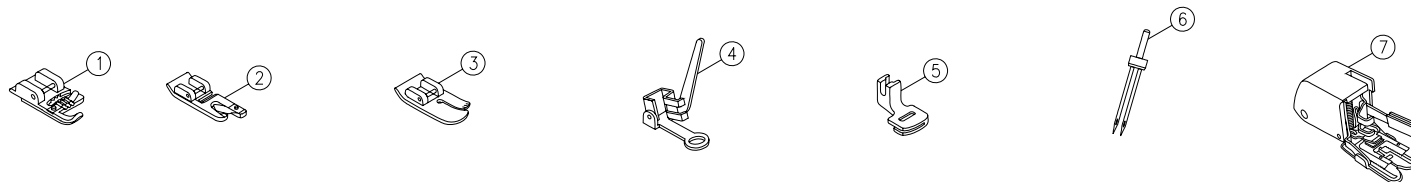
No.	Part No.	Description	Remark
1	H10133211	Sewing table body guide	
2	H10143003	Sewing table body guide spring	
3	H1A1343209	Sewing table body	
4	H1A1353209	Sewing table body cover	
5	D6B0773000	Sewing table body felt	
6	H1A1423209	Cord reel cover	
7	004240106	Set screw ( M4×8A )	
8	H1A1453209	Pattern cover	
9	004230082	Set screw ( M3×6B )	
10		Pattern plate (for H10A/H20A)	
11		Pattern plate (一) (for H30A/H40A)	
12		Pattern plate (二) (for H30A/H40A)	
13		Cord reel assembly (Japan)	
14		Set screw (M4×20 B) (Japan)	
15		Nut (M4 t=3) (Japan)	
16	H5AP013031	Pattern plate (up) (2010)	
17	H5AP023031	Pattern plate (middle) (2010)	
18	H5AP033031	Pattern plate (down) (2010)	

J. Accessories

### Standard accessories



### Optional accessories



## J. Accessories

Standard accessories			
No.	Part No.	Description	Remark
1	006186008	All purpose foot	
2	006905008	Zipper foot (I)	
3	006H1A0004	Buttonhole foot	
4	006907008	Overcasting foot ( E )	
5	006904008	Blind hem foot (F)	
6	006172008	Satin stitch foot ( A )	
7	006914008	Button sewing foot	
8	006099008	Brush & seam ripper	
9	R12373209	Spool holder (Large)	
10	TA10943209	Spool holder (Small)	
11	006008001	Quilting guide	
12	006084009	Bobbin	
13	006012008	Screwdriver (L & S)	
14	006V880010	Pack of needles	
15	006015009	Spool pin felt	
16	R60033209	Second spool pin	
17	020L008000	Sewing machine dust cover	
18	H1A1464209	Extension table	

Optional accessories			
No.	Part No.	Description	Remark
1	006813008	Cording foot ( M )	
2	006900008	Rolled hem foot ( K )	
3	006916008	Quilting foot (P)	
4	006016008	Embroidery foot	
5	006917008	Gathering foot	
6	006020008	Twin needle	
7	0061850081	Walking foot	

**NOTE:** When you order any spare parts from us, please cooperate with us by writing.

- (1) Section & Sequence No.
- (2) Name of parts
- (3) Voltage, if necessary
- (4) Others, if any