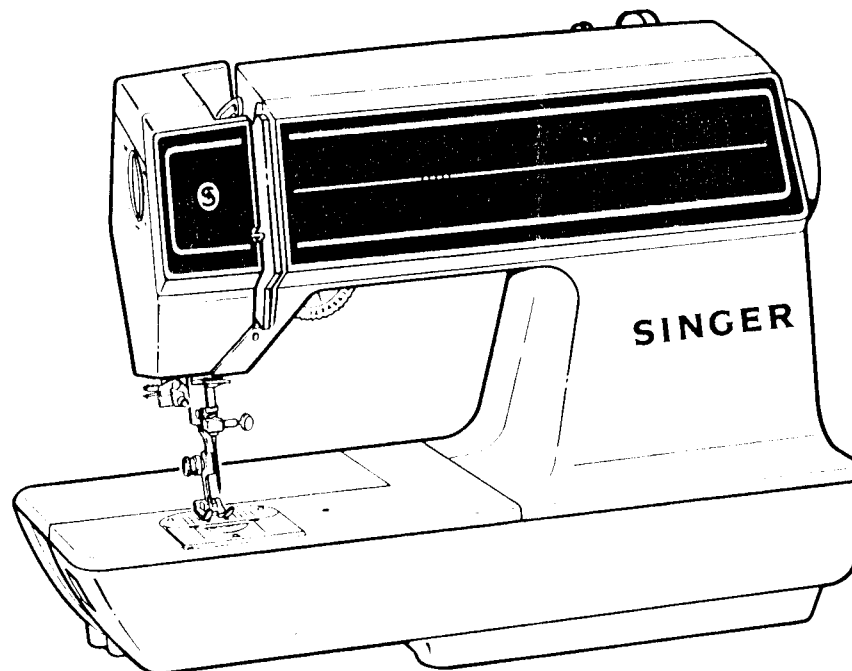


LIST OF PARTS FOR 2001A MACHINE



*219205 plate
S83648*

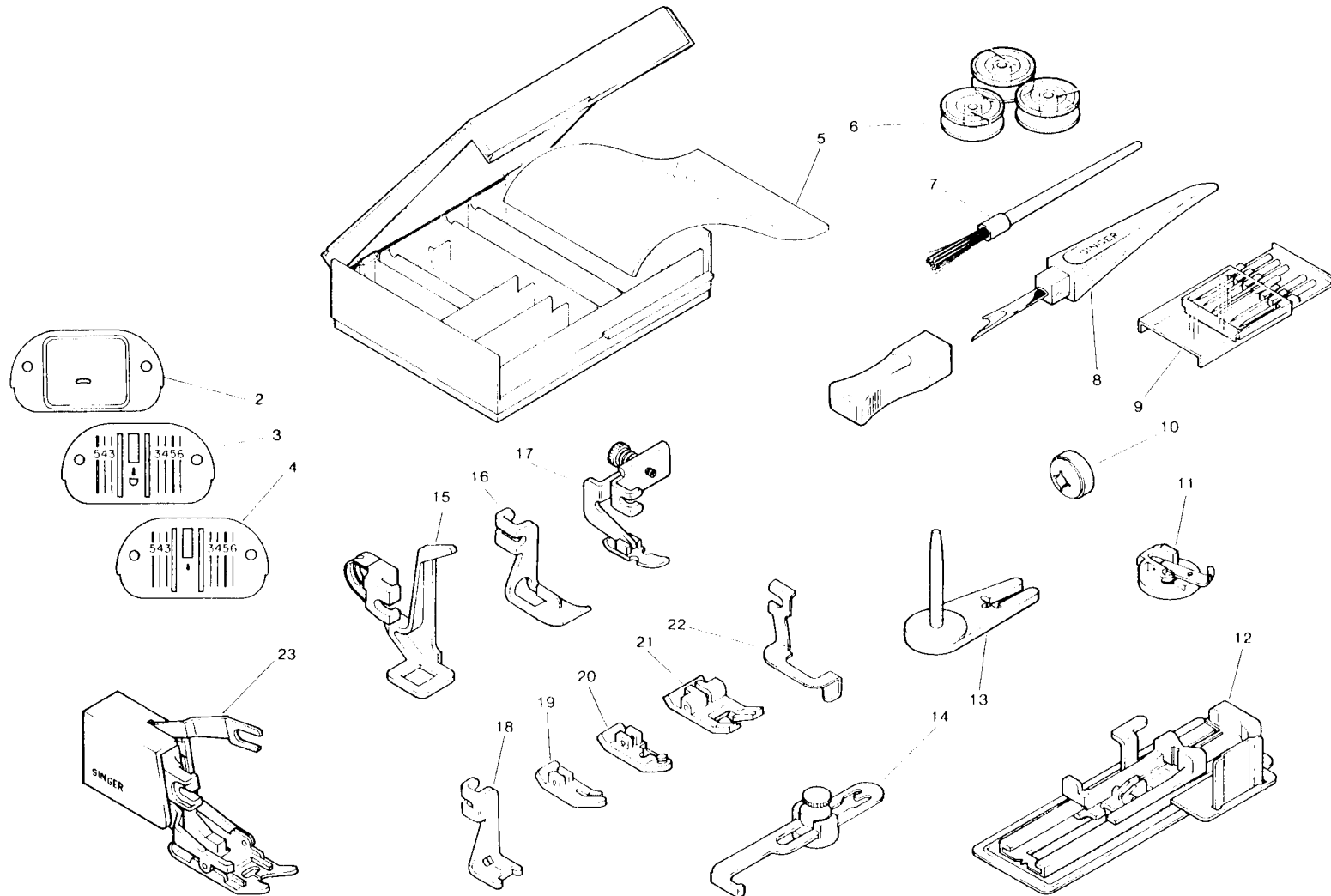
THE SINGER COMPANY
COPYRIGHT © 1978 THE SINGER COMPANY
ALL RIGHTS RESERVED THROUGHOUT THE WORLD



| PAGE NO. | SUBASSEMBLY | SUBASSEMBLY CODE |
|----------|---|------------------|
| 4 & 5 | ATTACHMENT SET | 262 |
| 6 & 7 | ELECTRONICS FOR COVERS AND ADD-ONS | 6421 |
| 8 & 9 | HOOK AND HOOK DRIVE | 042 |
| 10 TO 13 | HEAD END MODULE | 601 |
| 14 & 15 | TENSION MODULE | 101 |
| 16 & 17 | ELECTRONICS FOR BIGHT DRIVE LINEAR MOTOR | 66 |
| 18 & 19 | NEEDLE BAR DRIVE AND HAND WHEEL | 591 |
| 20 TO 23 | FEED DRIVE MECHANISM | 053 |
| 24 & 25 | ELECTRICAL EQUIPMENT (110-120 VOLTS) | 6321 |
| 26 TO 31 | ELECTRONICS FOR LOGIC ELECTRICS AND CONTROL | 6 |

NOTE: SUBASSEMBLY CODE IS USED FOR COMPUTER INDEX ONLY AND SHOULD NOT BE USED FOR PARTS ORDERING.

ATTACHMENT SET — 262



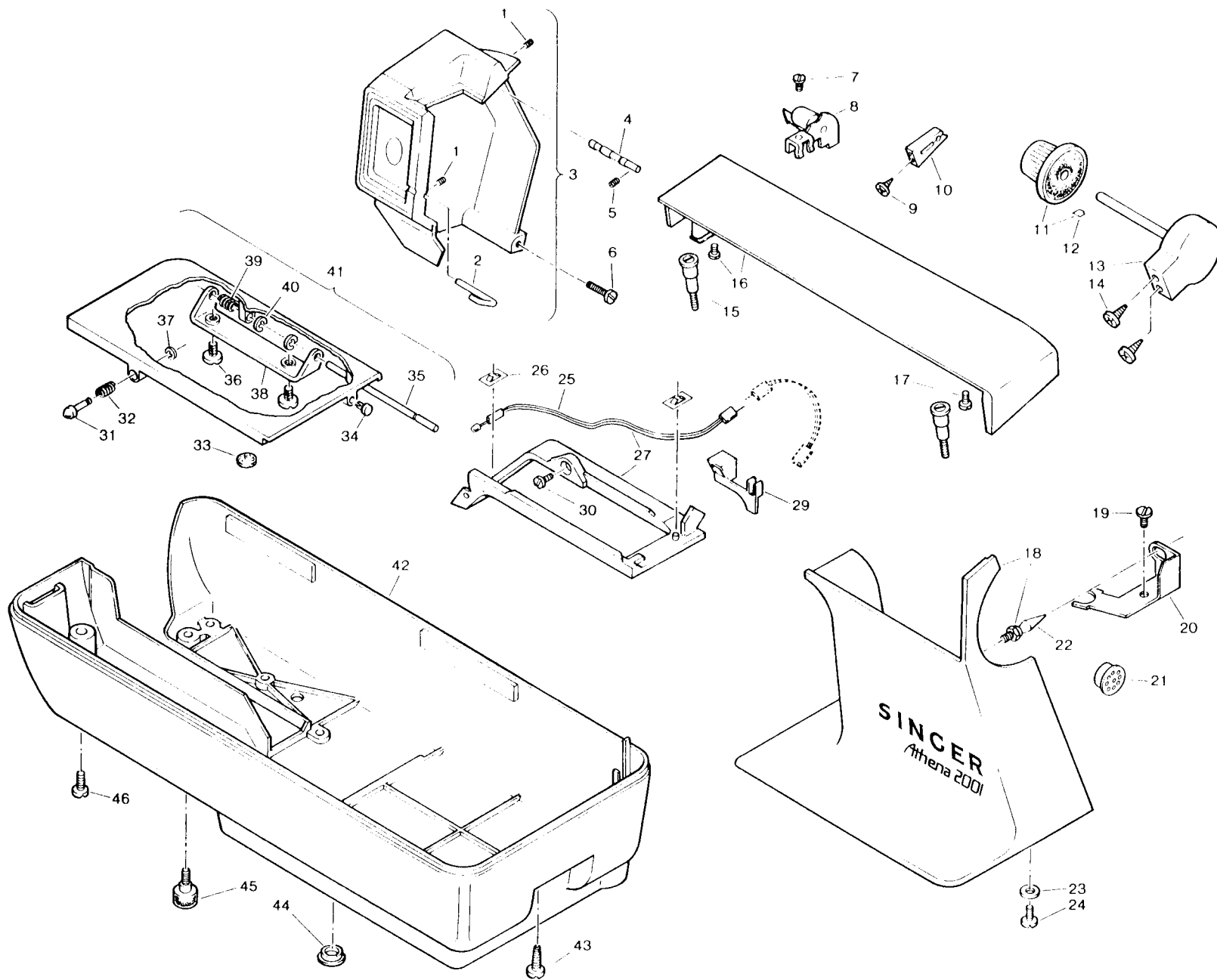
ATTACHMENT SET — 262

| REF. | PART NO. | DESCRIPTION |
|------|------------|---|
| 02 | 381409 | FEED COVER PLATE, FOR DARNING, EMBROIDERY & BUTTON SEWING (6 MM BIGHT). |
| 03 | 381365 | CHAIN STITCH ATTACHMENT THROAT PLATE (181841-900 MACHINED). |
| 04 | 381372 | THROAT PLATE FOR STRAIGHT SEWING. |
| 05 | 381039 | ATTACHMENT BOX INSERT (FOAM, PLASTIC). |
| 06 | 181551 | BOBBIN (PLASTIC). |
| 07 | 501750 | LINT BRUSH. |
| 08 | 642616-001 | SEAM RIPPER. |
| 09 | 381251 | NEEDLE PACK. |
| 10 | 507664-454 | ARM SPOOL PIN THREAD LEAD-OFF (SMALL, PLASTIC). |
| 11 | 171438-451 | CHAIN STITCH ATTACHMENT LOOP RETAINER INSERT COMPL.. |
| 12 | 421284-451 | BUTTONHOLER (ONE-STEP) PRESSER FOOT PLATE (SNAP-ON) COMPL. (1 3/8). |
| 13 | 381114-451 | SPOOL PIN FOR TWIN NEEDLE SEWING (PLASTIC). |
| 14 | 161172 | SEAM & BLINDSTITCH HEM GUIDE COMPL.. |
| 15 | 507909 | DARNING & EMBROIDERY FOOT (PLASTIC). |
| 16 | 381370 | PRESSER FOOT FOR TAILOR TACK. |
| 17 | 161166 | PRESSER FOOT (HINGED, ADJUSTABLE FOR SEWING EITHER ON RIGHT OR LEFT SIDE OF NEEDLE) FOR CORDING & SLIDE FASTENERS COMPL.. |
| 18 | 381066 | PRESSER FOOT FOR BUTTON SEWING (6 MM BIGHT). |
| 19 | 161919 | PRESSER FOOT PLATE (SNAP-ON) FOR STRAIGHT SEWING (ALTERNATE TO NO. 502277). |
| 20 | 171460 | PRESSER FOOT PLATE (SNAP-ON, SLOTTED) FOR SLANT OVEREDGE & OVEREDGE STRETCH STITCH (6 MM BIGHT). |
| 21 | 171463 | SPECIAL PURPOSE PRESSER FOOT PLATE (SNAP-ON). |
| 22 | 171110 | BLINDSTITCH HEM GUIDE. |
| 23 | 171466-451 | EVEN FEED FOOT (COMPL.) (6 MM BIGHT). |
| 24 | 381389 | ATTACHMENT SET COMPL., PACKED IN ATTACHMENT BOX NO. 171434-900. |

ELECTRONICS FOR COVERS AND ADD-ONS — 6421

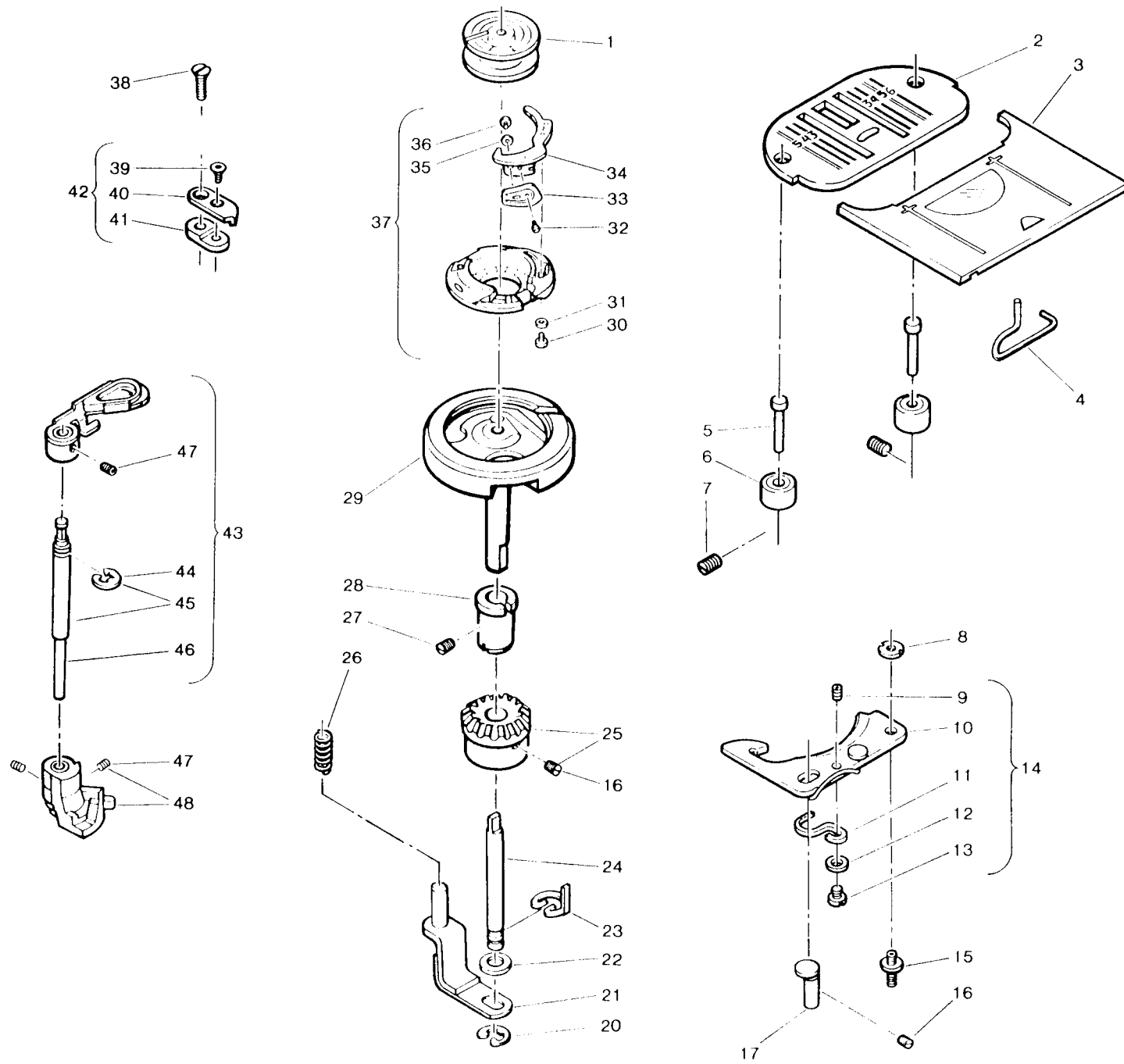
| REF. | PART NO. | DESCRIPTION | REF. | PART NO. | DESCRIPTION |
|------|------------|--|------|------------|--|
| 01 | 354203-451 | FACE PLATE SCREW (UPPER). | 26 | 383290 | L.E.D. HARNESS RETAINING CLIP. |
| 02 | 381375 | CHAIN STITCH ATTACHMENT THREAD GUIDE. | 27 | 383527-451 | ARM FRONT COVER SEGMENT W/HARNESS INTERCONNECT AND L.E.D.. |
| 03 | 383420-451 | FACE PLATE COMPL.. | 29 | 383402 | ARM FRONT COVER & SEGMENT BUMPER (RUBBER). |
| 04 | 382162 | FACE PLATE POSITIONING STUD. | 30 | 354090-451 | ARM FRONT COVER SEGMENT SCREW. |
| 05 | 354401-451 | FACE PLATE POSITIONING STUD SET SCREW. | 31 | 381874-451 | BED (CONVERTIBLE) LID LATCH (PLASTIC). |
| 06 | 354741-451 | FACE PLATE SCREW (LOWER). | 32 | 381877 | BED (CONVERTIBLE) LID LATCH SPRING. |
| 07 | 354030-451 | PRE-TENSION SCREW. | 33 | 619491-001 | BED (CONVERTIBLE) LID PAD (SELF-ADHESIVE). |
| 08 | 383151 | PRE-TENSION COMPL.. | 34 | 381878 | BED (CONVERTIBLE) LID POSITIONING BUTTON (PLASTIC). |
| 09 | 139935-451 | THREAD GUIDE (OUTSIDE, BACK OF ARM) SCREW. | 35 | 382741 | BED (CONVERTIBLE) LID HINGE PIN. |
| 10 | 511252-452 | THREAD GUIDE (OUTSIDE, BACK OF ARM) (PLASTIC). | 36 | 141860-814 | BED (CONVERTIBLE) LID HINGE BRACKET SCREW. |
| 11 | 163149-004 | ARM SPOOL PIN THREAD LEAD-OFF COMPL.. | 37 | 182195 | BED (CONVERTIBLE) LID LATCH RETAINING RING. |
| 12 | 163150 | ARM SPOOL PIN THREAD LEAD-OFF SPRING CLIP. | 38 | 382740 | BED (CONVERTIBLE) LID HINGE BRACKET. |
| 13 | 382485-451 | ARM SPOOL PIN. | 39 | 381876 | BED (CONVERTIBLE) LID HINGE SPRING. |
| 14 | 354491-451 | ARM SPOOL PIN HOLDER SCREW. | 40 | 507563 | BED (CONVERTIBLE) LID HINGE PIN RETAINING RING. |
| 15 | 382681-001 | ARM TOP COVER GUIDE SCREW STUD. | 41 | 382739-451 | BED (CONVERTIBLE) LID. |
| 16 | 383403-451 | ARM TOP COVER. | 42 | 383257-451 | BED (CONVERTIBLE) COVER (BOTTOM). |
| 17 | 354729-451 | ARM TOP COVER LATCH SCREW. | 43 | 354678-451 | BED (CONVERTIBLE) COVER (BOTTOM) SCREW. |
| 18 | 383401-451 | ARM FRONT COVER. | 44 | 383529-451 | BED (CONVERTIBLE) COVER (BOTTOM) ACCESS HOLE PLUG (PLASTIC). |
| 19 | 141824-814 | ARM FRONT COVER RETAINING BRACKET SCREW. | 45 | 382337 | BED (CONVERTIBLE) COVER (BOTTOM) CUSHION. |
| 20 | 383370 | ARM FRONT COVER RETAINING BRACKET. | 46 | 141860-814 | BED (CONVERTIBLE) COVER (BOTTOM) FASTENING SCREW. |
| 21 | 383413-451 | SPEAKER GRILL (PLASTIC). | | | |
| 22 | 383369 | ARM FRONT COVER LOCKING STUD. | | | |
| 23 | 172556 | ARM FRONT COVER SCREW (BOTTOM) WASHER. | | | |
| 24 | 354020-451 | ARM FRONT COVER SCREW (BOTTOM). | | | |
| 25 | 605346-001 | HARNESS COMPL. INTERCONNECT W/L.F.D.. | | | |

ELECTRONICS FOR CL AND ADD ONS — 6421



SINGER
Athena 2001

HOOK AND HOOK DRIVE — 042

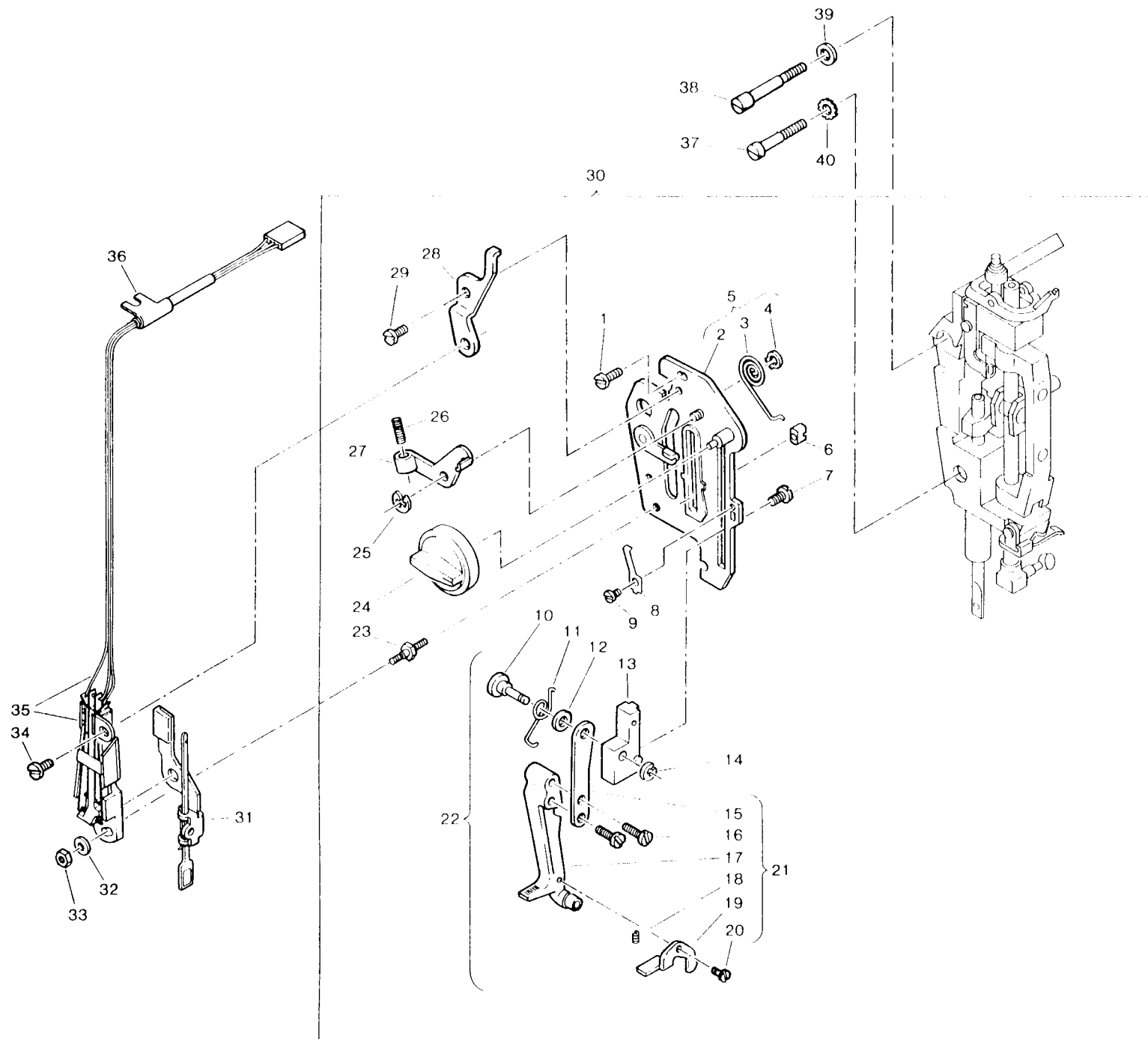


HOOK AND DRIVE — 042

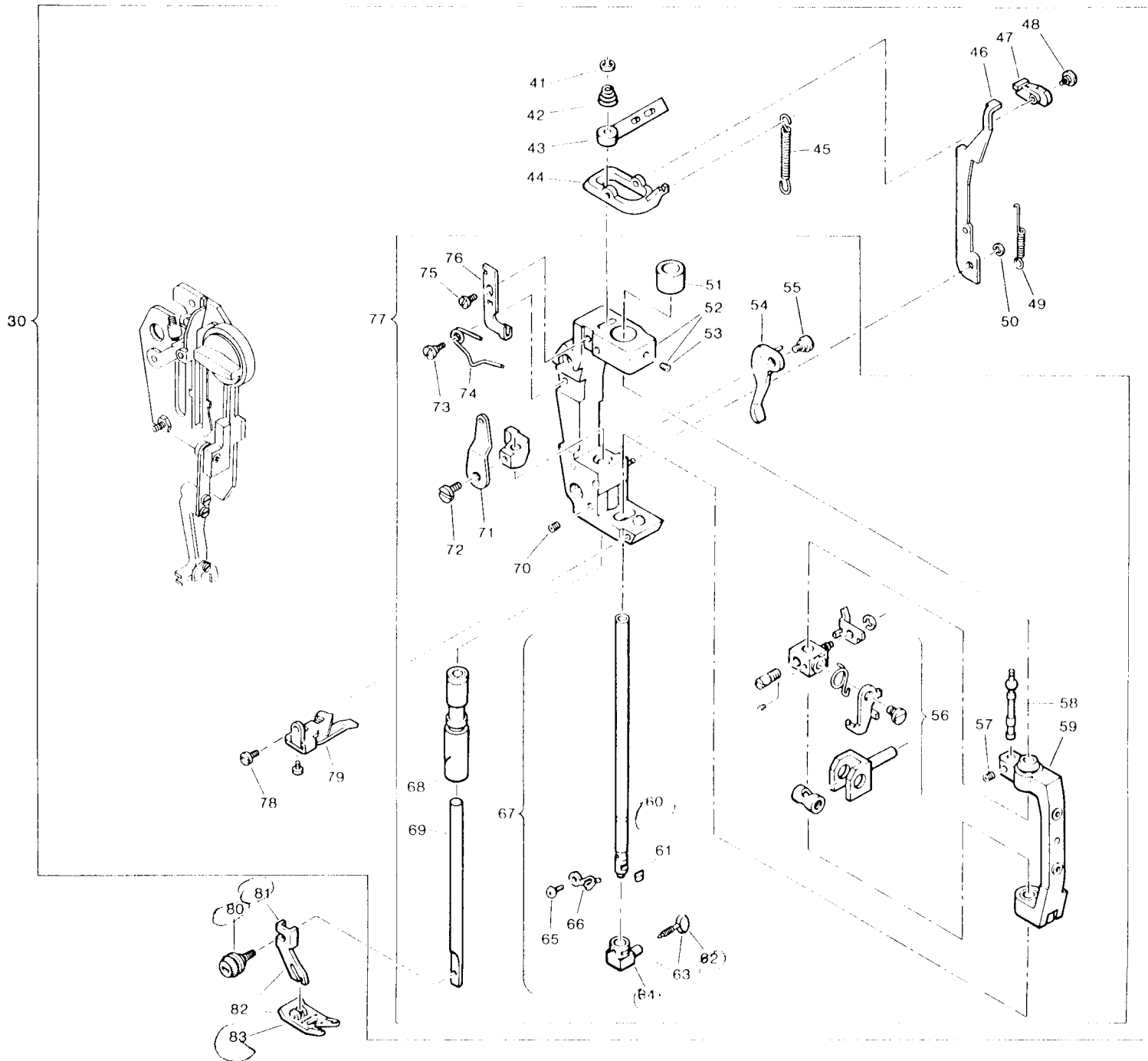
| REF. | PART NO. | DESCRIPTION | REF. | PART NO. | DESCRIPTION |
|------|------------|--|------|------------|--|
| 01 | 181551 | ROTATING HOOK BOBBIN (PLASTIC). | 26 | 163791 | ROTATING HOOK BOBBIN WINDER ACTUATING LEVER SHAFT CAM FOLLOWER SPRING. |
| 02 | 383339 | THROAT PLATE FOR ZIG-ZAG SEWING (181871-900 MACHINED). (6 MM BIGHT). | 27 | 354725-451 | ROTATING HOOK FLANGED BUSHING (ECCENTRIC) SET SCREW. |
| 03 | 383414 | BED SLIDE WITH MOLDED PLASTIC WINDOW. | 28 | 383349 | ROTATING HOOK FLANGED BUSHING (ECCENTRIC) (383349-900 MACHINED). |
| 04 | 383121 | BED SLIDE STOP. | 29 | 181549 | ROTATING HOOK (181549-900 FINISH MACHINED). |
| 05 | 174256 | THROAT PLATE CATCH PIN. | 30 | 139995-452 | ROTATING HOOK BOBBIN CASE TENSION SPRING BRACKET SCREW. |
| 06 | 507196 | THROAT PLATE SECURING MAGNET. | 31 | 381694 | ROTATING HOOK BOBBIN CASE TENSION SPRING BRACKET SCREW WASHER. |
| 07 | 354176-451 | THROAT PLATE CATCH PIN SCREW. | 32 | 354164-451 | ROTATING HOOK BOBBIN CASE TENSION SPRING CLAMPING SCREW. |
| 08 | 54594-451 | ROTATING HOOK BOBBIN CASE POSITION PLATE SCREW NUT. | 33 | 382449 | ROTATING HOOK BOBBIN CASE TENSION SPRING. |
| 09 | 354190-451 | ROTATING HOOK BOBBIN CASE POSITION PLATE ADJUSTING SCREW (354190-452 WITH FUSED PLASTIC MATERIAL). | 34 | 181559-001 | ROTATING HOOK BOBBIN CASE TENSION SPRING BRACKET. |
| 10 | 383387 | ROTATING HOOK BOBBIN CASE POSITION PLATE. | 35 | 381996 | ROTATING HOOK BOBBIN CASE TENSION SPRING REGULATING SCREW FRICTION WASHER (PLASTIC). |
| 11 | 381884 | ROTATING HOOK BOBBIN CASE CUSHION SPRING (381884-900 CLEANED & HARDENED). | 36 | 354299-451 | ROTATING HOOK BOBBIN CASE TENSION SPRING REGULATING SCREW. |
| 12 | 381885-451 | ROTATING HOOK BOBBIN CASE CUSHION SPRING WASHER. | 37 | 383386 | ROTATING HOOK BOBBIN CASE COMPL. |
| 13 | 354215-451 | ROTATING HOOK BOBBIN CASE CUSHION SPRING SCREW. | 38 | 354148-452 | ROTATING HOOK BOBBIN CASE POSITION FINGER SCREW. |
| 14 | 383388 | ROTATING HOOK BOBBIN CASE POSITION PLATE. | 39 | 354149-451 | ROTATING HOOK BOBBIN CASE POSITION FINGER ADJUSTING SCREW. |
| 15 | 354150-452 | ROTATING HOOK BOBBIN CASE POSITION PLATE SCREW (354150-451 WITH FUSED PLASTIC MATERIAL). | 40 | 181554 | ROTATING HOOK BOBBIN CASE POSITION FINGER. |
| 16 | 141338-869 | ROTATING HOOK BOBBIN CASE POSITION PLATE ADJUSTING STUD (ECCENTRIC) SET SCREW. | 41 | 381665 | ROTATING HOOK BOBBIN CASE POSITION FINGER MOUNTING PLATE. |
| 17 | 383579 | ROTATING HOOK BOBBIN CASE POSITION PLATE ADJUSTING STUD (ECCENTRIC). | 42 | 381847 | ROTATING HOOK BOBBIN CASE POSITION FINGER. |
| 20 | 153884 | ROTATING HOOK BOBBIN DRIVING SHAFT RETAINING RING. | 43 | 382326 | ROTATING HOOK BOBBIN WINDER ACTUATING LEVER. |
| 21 | 181576 | ROTATING HOOK BOBBIN WINDER LIFTING BRACKET. | 44 | 165472 | ROTATING HOOK BOBBIN WINDER ACTUATING LEVER SHAFT RETAINING RING. |
| 22 | 181565 | ROTATING HOOK BOBBIN DRIVING SHAFT SPACER (PLASTIC). | 45 | 381960 | ROTATING HOOK BOBBIN WINDER ACTUATING LEVER SHAFT. |
| 23 | 181564 | ROTATING HOOK BOBBIN DRIVING SHAFT CLUTCH SPRING (181564-900 TUMBLED). | 46 | 381959 | ROTATING HOOK BOBBIN WINDER ACTUATING LEVER SHAFT. |
| 24 | 181562 | ROTATING HOOK BOBBIN DRIVING SHAFT. | 47 | 354247-451 | ROTATING HOOK BOBBIN WINDER ACTUATING LEVER SHAFT CAM SET SCREW. |
| 25 | 382879 | ROTATING HOOK BEVEL GEAR (PLASTIC). | 48 | 381958 | ROTATING HOOK BOBBIN WINDER ACTUATING LEVER SHAFT CAM. |

HEAD END MODULE — 601

| REF. | PART NO. | DESCRIPTION | REF. | PART NO. | DESCRIPTION |
|------|------------|---|------|------------|---|
| 01 | 141824-814 | NEEDLE BAR HIGH LIFT RELFASING BRACKET ADJUSTING BRACKET SCREW. | 21 | 383449 | NEEDLE THREADER STEM. |
| 02 | 383358 | PRESSER BAR PRESSURE REGULATING DIAL MOUNTING PLATE. | 22 | 383464 | NEEDLE THREADER STEM LOCATING BRACKET SLIDE BLOCK. |
| 03 | 383317 | PRESSER BAR SPRING. | 23 | 354585-451 | BUTTONHOLER SWITCH SCREW STUD. |
| 04 | 182150 | PRESSER BAR SPRING RETAINING RING. | 24 | 383397-451 | PRESSER BAR PRESSURE REGULATING DIAL (PLASTIC, WITH GRAPHICS). |
| 05 | 383330 | PRESSER BAR PRESSURE REGULATING DIAL MOUNTING PLATE. | 25 | 151576 | PRESSER BAR PRESSURE REGULATING LEVER RETAINING RING. |
| 06 | 383363 | NEEDLE BAR CLAMPING & GUIDF SCREW SLEEVE (PLASTIC). | 26 | 354046-451 | PRESSER BAR PRESSURE REGULATING LEVER ADJUSTING SCREW (354046-452 WITH FUSED PLASTIC MATERIAL). |
| 07 | 354728-451 | NEEDLE THREADER STEM LOCATING BRACKET SLIDE BLOCK SCREW. | 27 | 383361 | PRESSER BAR PRESSURE REGULATING LEVER. |
| 08 | 383444 | NEEDLE THREADER STEM LOCATING BRACKET SLIDE BLOCK POSITIONING SPRING. | 28 | 383410 | BUTTONHOLER SWITCH MOUNTING BRACKET. |
| 09 | 354717-451 | NEEDLE THREADER STEM LOCATING BRACKET SLIDE BLOCK POSITIONING SPRING SCREW. | 29 | 141824-814 | PRESSFR BAR PRESSURE REGULATING DIAL MOUNTING PLATE SCREW. |
| 10 | 383455 | NEEDLE THREADER STEM LOCATING BRACKET HINGE STUD. | 30 | 383328 | HEAD END MODULE. |
| 11 | 383456 | NEEDLE THREADER STEM LOCATING BRACKET SPRING. | 31 | 382942 | BUTTONHOLER KICK-OUT TRIPPING ROD LEVER. |
| 12 | 383431 | NEEDLE THREADER STEM LOCATING BRACKET HINGE STUD SPRING WASHER. | 32 | 382947 | BUTTONHOLER SWITCH SCREW STUD WASHER. |
| 13 | 383458 | NEEDLE THREADER STEM LOCATING BRACKET SLIDE BLOCK (PLASTIC). | 33 | 54600-451 | BUTTONHOLER SWITCH SCREW STUD NUT. |
| 14 | 507563 | NEEDLE THREADER STEM LOCATING BRACKET HINGE STUD RETAINING RING. | 34 | 354762-451 | BUTTONHOLER SWITCH LOCKING SCREW. |
| 15 | 383454 | NEEDLE THREADER STEM LOCATING BRACKET. | 35 | 605395-001 | BUTTONHOLER SWITCH & LEADS ASSEMBLY. |
| 16 | 354141-452 | NEEDLE THREADER STEM SCREW. | 36 | 383405 | HARNES GROMMET RETAINING CLIP. |
| 17 | 383409 | NEEDLE THREADER STEM (383409-900 MACHINED). | 37 | 354026-451 | NEEDLE BAR VIBRATING BRACKET FRAME SCREW (LOWER). |
| 18 | 383440 | NEEDLE THREADER STEM THREAD CLAMP SPRING. | 38 | 354025-451 | NEEDLE BAR VIBRATING BRACKET FRAME POSITIONING & HINGE SCREW (UPPER). |
| 19 | 383408 | NEEDLE THREADER STEM THREAD CLAMP. | 39 | 181860-451 | NEEDLE BAR VIBRATING BRACKET FRAME POSITIONING & HINGE SCREW (UPPER) WASHER. |
| 20 | 354709-451 | NEEDLE THREADER STEM THREAD CLAMP SCREW. | 40 | 931055-076 | NEEDLE BAR VIBRATING BRACKET FRAME SCREW (LOWER) WASHER. |



HEAD END MODULE — 601

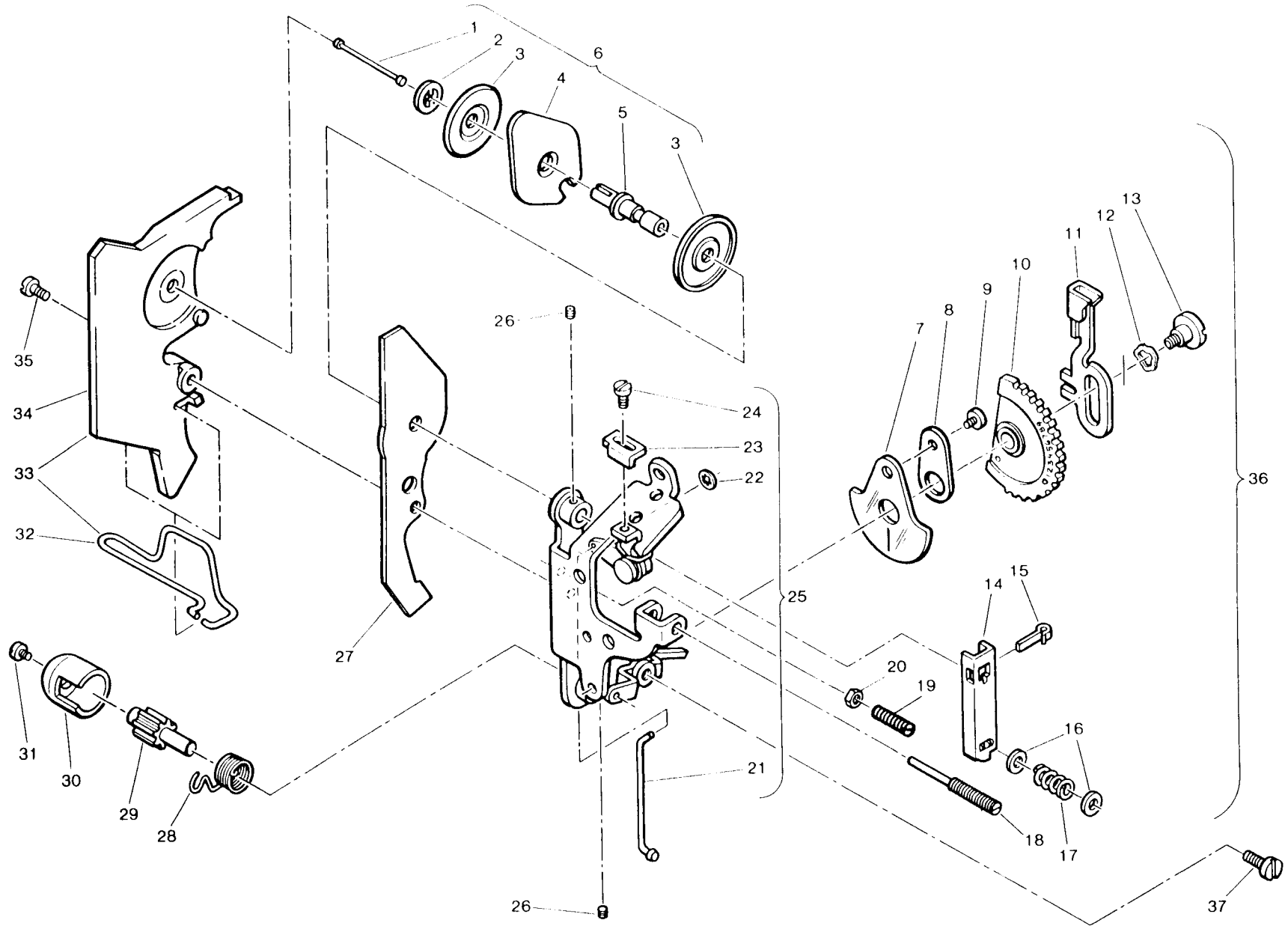


HEAD END MC LE — 601

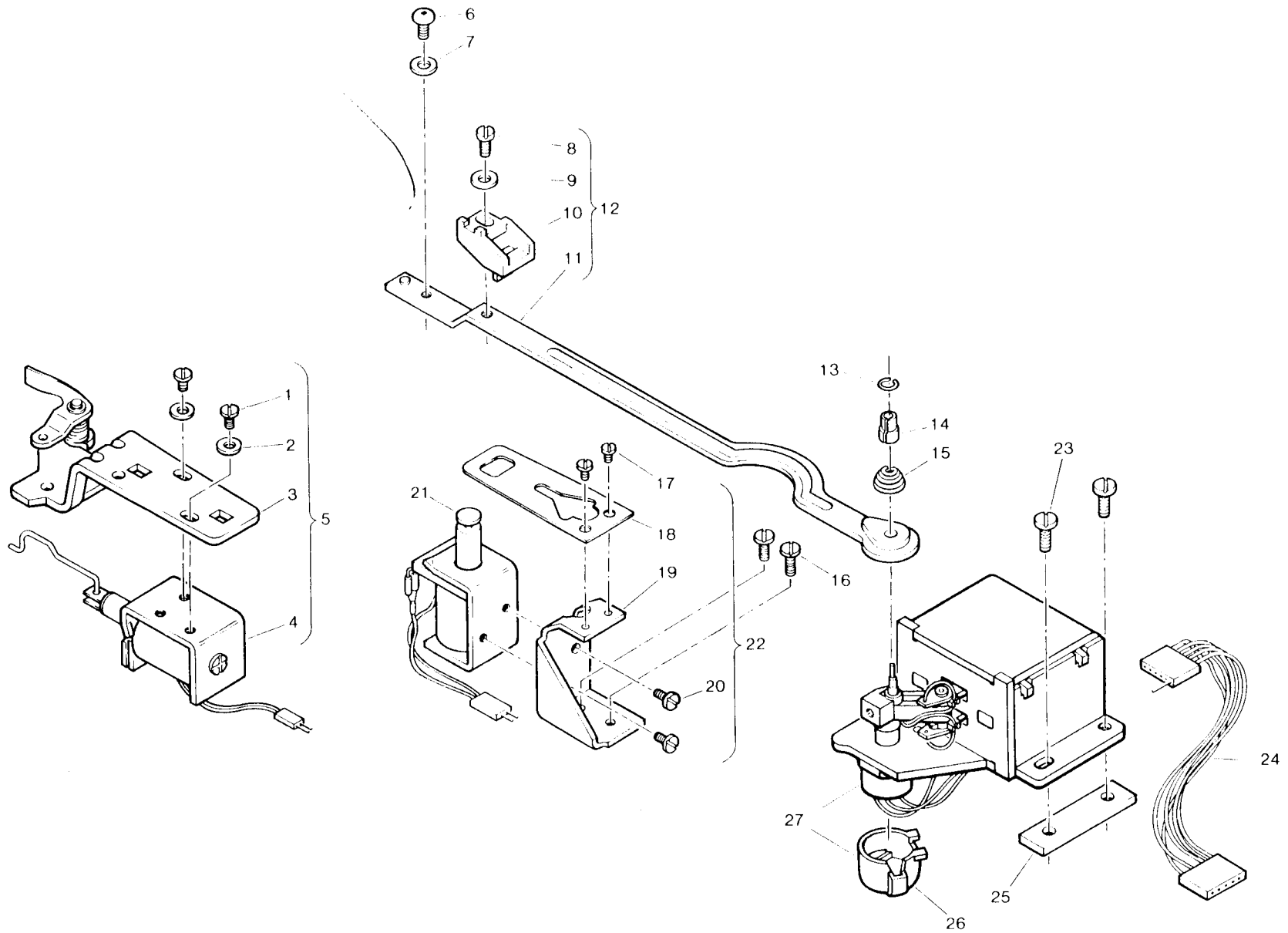
| REF. | PART NO. | DESCRIPTION | REF. | PART NO. | DESCRIPTION |
|------|------------|---|------|------------|---|
| 41 | 381726 | NEEDLE BAR DRIVING ARM BALL JOINT RETAINING RING. | 62 | 140751-853 | NEEDLE THUMB SCREW. |
| 42 | 382602 | NEEDLE BAR DRIVING ARM BALL JOINT SPRING. | 63 | 163123 | NEEDLE CLAMP BODY. |
| 43 | 382600 | NEEDLE BAR DRIVING ARM BALL JOINT (PLASTIC). | 64 | 163122 | NEEDLE CLAMP BODY. |
| 44 | 382229 | NEEDLE BAR HIGH LIFT RELEASING BRACKET ADJUSTING BRACKET (382229-900 MACHINED). | 65 | 354708-451 | NEEDLE CLAMP BODY, NEEDLE CLAMP THREAD GUIDE & NEEDLE STOP SCREW. |
| 45 | 381586 | NEEDLE BAR LIFTING SPRING. | 66 | 163431 | NEEDLE CLAMP THREAD GUIDE. |
| 46 | 383319 | NEEDLE BAR HIGH LIFT RELEASING BRACKET. | 67 | 383463 | NEEDLE BAR. |
| 47 | 383061 | NEEDLE BAR HIGH LIFT RELEASING BRACKET RETAINER (PLASTIC). | 68 | 181947 | PRESSER BAR BUSHING. |
| 48 | 354618-452 | NEEDLE BAR HIGH LIFT RELEASING BRACKET RETAINER SCREW. | 69 | 383097 | PRESSER BAR (HOLLOW). |
| 49 | 383364 | NEEDLE BAR HIGH LIFT RELEASING BRACKET SPRING. | 70 | 354186-451 | PRESSER BAR BUSHING SET SCREW. |
| 50 | 14494 | NEEDLE BAR LIFTING SPRING RETAINING RING. | 71 | 383318 | PRESSER BAR SPRING LEVER GUIDE LINK. |
| 51 | 382374 | NEEDLE BAR VIBRATING BRACKET BUSHING (UPPER) (181666-900 MACHINED). | 72 | 354696-451 | PRESSER BAR GUIDE BRACKET SET SCREW & GUIDE LINK HINGE SCREW. |
| 52 | 383368 | NEEDLE BAR VIBRATING BRACKET FRAME. | 73 | 354119-451 | NEEDLE BAR RECOIL SPRING SCREW. |
| 53 | 141891-830 | NEEDLE BAR VIBRATING BRACKET BUSHING (UPPER) SET SCREW. | 74 | 383366 | NEEDLE BAR RECOIL SPRING. |
| 54 | 383265 | PRESSER BAR LIFTER. | 75 | 354121-451 | NEEDLE BAR RECOIL SPRING BRACKET (ADJUSTABLE) SCREW. |
| 55 | 354010-451 | PRESSER BAR LIFTER HINGE SCREW. | 76 | 383367 | NEEDLE BAR RECOIL SPRING BRACKET (ADJUSTABLE). |
| 56 | 383355 | NEEDLE BAR LATCH CARRIER COMPL.. | 77 | 383329 | NEEDLE BAR VIBRATING BRACKET FRAME. |
| 57 | 354063-451 | NEEDLE BAR VIBRATING BRACKET BALL STUD SET SCREW. | 78 | 354160-451 | THREAD SNUBBER MOUNTING SCREW. |
| 58 | 382601 | NEEDLE BAR VIBRATING BRACKET BALL STUD (382601-900 MACHINED). | 79 | 382769 | THREAD SNUBBER. |
| 59 | 382071 | NEEDLE BAR VIBRATING BRACKET. | 80 | 181919 | PRESSER FOOT THUMB SCREW & BOBBIN WINDER THREAD HOLDER. |
| 60 | 181651 | NEEDLE BAR (181651-901 MACHINED). | 81 | 163706 | PRESSER FOOT SHANK (SNAP-ON) (163706-902 MACHINED). |
| 61 | 163822 | NEEDLE BAR GIB. | 82 | 382347 | PRESSER FOOT (SNAP-ON) COMPL. FOR ZIG-ZAG SEWING (6 MM.). |
| | | | 83 | 181688 | PRESSER FOOT PLATE (SNAP-ON) FOR ZIG-ZAG SEWING (6 MM.). |

TENSION MODULE — 101

| REF. | PART NO. | DESCRIPTION | REF. | PART NO. | DESCRIPTION |
|------|------------|--|------|------------|--|
| 01 | 181857 | TENSION DISC PRESSURE PIN (181857-900 PLATED). | 20 | 53637-803 | TENSION REGULATING SLIDE POSITIONING SCREW NUT. |
| 02 | 174398 | TENSION DISC PRESSURE PLATE. | 21 | 381582 | TENSION RELEASE LEVER CONNECTION (381582-900 HARDENED). |
| 03 | 382586 | TENSION DISC (SMALL). | 22 | 171272 | TENSION RELEASE LEVER CONNECTION RETAINING RING. |
| 04 | 382603 | TENSION DISC (LARGE). | 23 | 381719 | TENSION RELEASE LEVER ADJUSTING PLATE. |
| 05 | 382587 | TENSION STUD. | 24 | 141862-814 | TENSION RELEASE LEVER ADJUSTING PLATE SCREW. |
| 06 | 382211 | TENSION STUD. | 25 | 382079 | TENSION MOUNTING BRACKET. |
| 07 | 182222 | TENSION INDICATOR (PLASTIC). | 26 | 354048-451 | TENSION STUD SET SCREW. |
| 08 | 381933 | TENSION INDICATOR SPACER. | 27 | 383281-451 | TENSION THREAD GUARD (383281-900 PAINTED). |
| 09 | 141697-814 | TENSION INDICATOR SCREW. | 28 | 181872 | THREAD TAKE-UP SPRING. |
| 10 | 383343-451 | TENSION INDICATOR DIAL (PLASTIC) (383343-900 WITH GRAPHICS). | 29 | 181875 | THREAD TAKE-UP SPRING STUD & POSITION COLLAR. |
| 11 | 181854 | TENSION REGULATING SLIDE. | 30 | 181861-451 | THREAD TAKE-UP SPRING CAP & SLACK THREAD REGULATOR (PLASTIC). |
| 12 | 506479 | TENSION INDICATOR DIAL HINGE SCREW FRICTION WASHER. | 31 | 354049-451 | THREAD TAKE-UP SPRING ADJUSTING SCREW. |
| 13 | 354622-451 | TENSION INDICATOR DIAL HINGE SCREW. | 32 | 381883 | THREAD TAKE-UP SPRING THREAD GUARD BAR (381883-900 HARDENED & TEMPERED). |
| 14 | 181855 | TENSION REGULATING SLIDE PLATE. | 33 | 383283-451 | THREAD TAKE-UP SPRING THREAD GUARD. |
| 15 | 172906 | TENSION REGULATING SLIDE PLATE SPRING CLIP. | 34 | 383282-451 | THREAD TAKE-UP SPRING THREAD GUARD (PLASTIC). |
| 16 | 172731 | TENSION ADJUSTING SCREW WASHER. | 35 | 354236-451 | THREAD TAKE-UP SPRING THREAD GUARD SCREW. |
| 17 | 181877 | TENSION SPRING. | 36 | 383279-451 | TENSION MODULE. |
| 18 | 181873-454 | TENSION ADJUSTING SCREW. | 37 | 354419-451 | TENSION RELEASE LEVER ACTUATOR HINGE BUSHING SUPPORT SCREW. |
| 19 | 354167-451 | TENSION REGULATING SLIDE POSITIONING SCREW. | | | |



ELECTRONICS FOR BIGHT DRIVE LINEAR MOTOR — 66



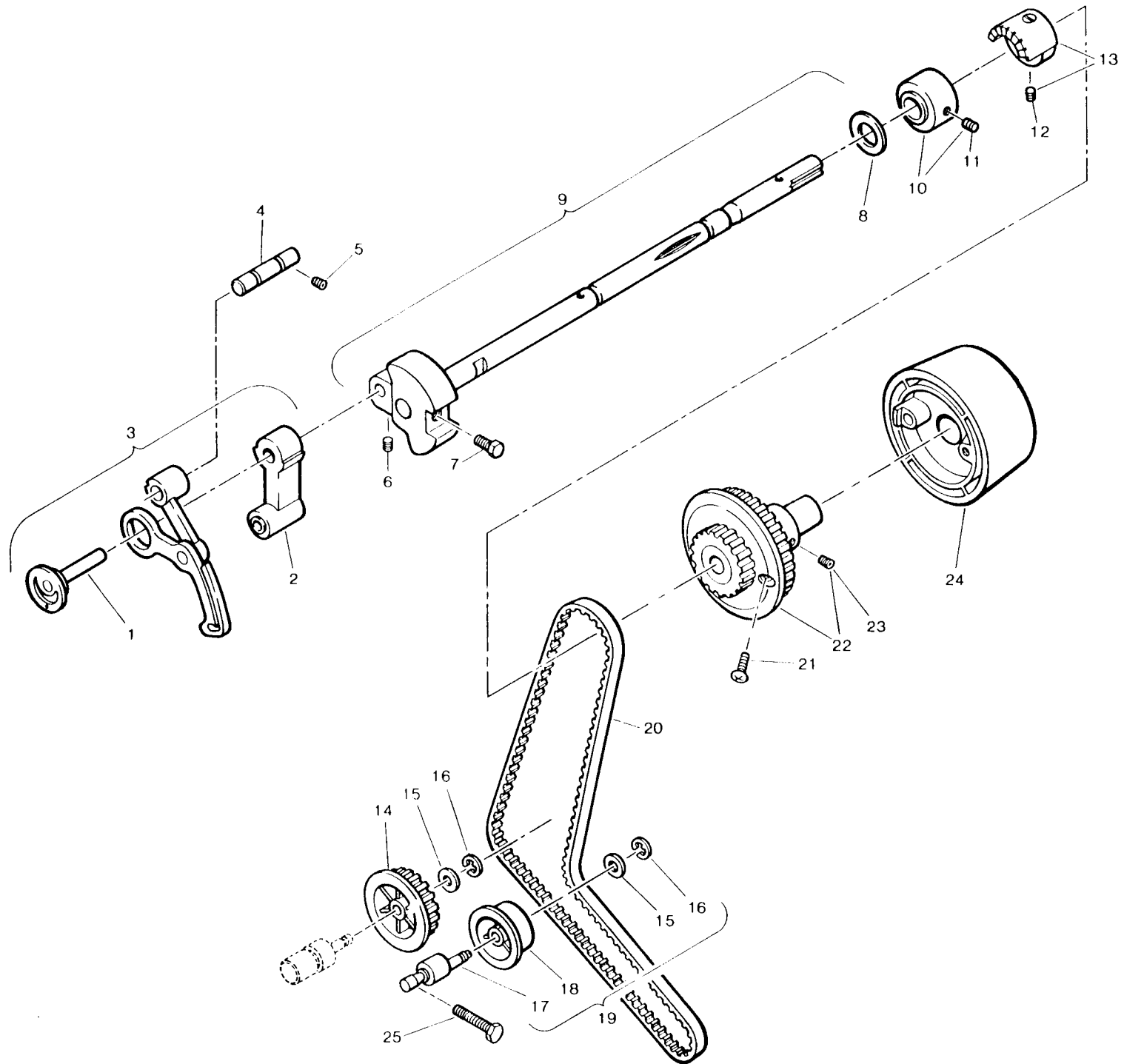
ELECTRONICS FOR BIGHT DRIVE LINEAR MOTOR — 66

| REF. | PART NO. | DESCRIPTION |
|------|------------|---|
| 01 | 354121-451 | NEEDLE BAR RELEASE SOLENOID MOUNTING SCREW. |
| 02 | 931868-008 | NEEDLE BAR RELEASE SOLENOID MOUNTING SCREW WASHER. |
| 03 | 383262 | NEEDLE BAR RELEASE MECHANISM MOUNTING BRACKET ASSEMBLY. |
| 04 | 383291 | NEEDLE BAR RELEASE SOLENOID ASSEMBLY. |
| 05 | 383263 | NEEDLE BAR RELEASE MECHANISM MOUNTING BRACKET COMPL.. |
| 06 | 354232-451 | NEEDLE BAR DRIVING ARM BALL JOINT SCREW. |
| 07 | 931929-004 | NEEDLE BAR DRIVING ARM BALL JOINT SCREW WASHER. |
| 08 | 354267-451 | NEEDLE BAR DRIVING ARM POSITIONING STUD MOUNTING SCREW. |
| 09 | 931868-008 | NEEDLE BAR DRIVING ARM POSITIONING STUD MOUNTING SCREW WASHER. |
| 10 | 383342 | NEEDLE BAR DRIVING ARM POSITIONING STUD (PLASTIC). |
| 11 | 383308 | NEEDLE BAR DRIVING ARM WITH MOLDED PLASTIC SOCKET. |
| 12 | 383421 | NEEDLE BAR DRIVING ARM. |
| 13 | 383526 | NEEDLE BAR DRIVING ARM RETAINING SLEEVE CLAMPING RING. |
| 14 | 383525 | NEEDLE BAR DRIVING ARM RETAINING SLEEVE (PLASTIC). |
| 15 | 382602 | NEEDLE BAR DRIVING ARM FRICTION SPRING. |
| 16 | 354090-451 | NEEDLE BAR DRIVING ARM POSITIONING SOLENOID MOUNTING BRACKET SCREW. |
| 17 | 354037-451 | NEEDLE BAR DRIVING ARM POSITIONING LEVER MOUNTING SCREW. |
| 18 | 382639 | NEEDLE BAR DRIVING ARM POSITIONING LEVER. |
| 19 | 382935 | NEEDLE BAR DRIVING ARM POSITIONING SOLENOID MOUNTING BRACKET. |
| 20 | 354121-451 | NEEDLE BAR DRIVING ARM POSITIONING SOLENOID MOUNTING SCREW. |
| 21 | 382640 | STRAIGHT STITCH SAFETY SOLENOID PLUNGER. |
| 22 | 382936 | NEEDLE BAR DRIVING ARM POSITIONING SOLENOID COMPL.. |
| 23 | 354147-451 | BIGHT DRIVE LINEAR MOTOR MOUNTING SCREW. |
| 24 | 605632-001 | HARNESS COMPL. (BIGHT MOTOR TO SERVO P.C. BOARD) (NO. 26 AWG). |
| 25 | 383452 | BIGHT DRIVE LINEAR MOTOR SPACER. |
| 26 | 382909 | BIGHT DRIVE LINEAR MOTOR POTENTIOMETER CAP (PLASTIC). |
| 27 | 312331 | BIGHT DRIVE LINEAR MOTOR ASSEMBLY. |

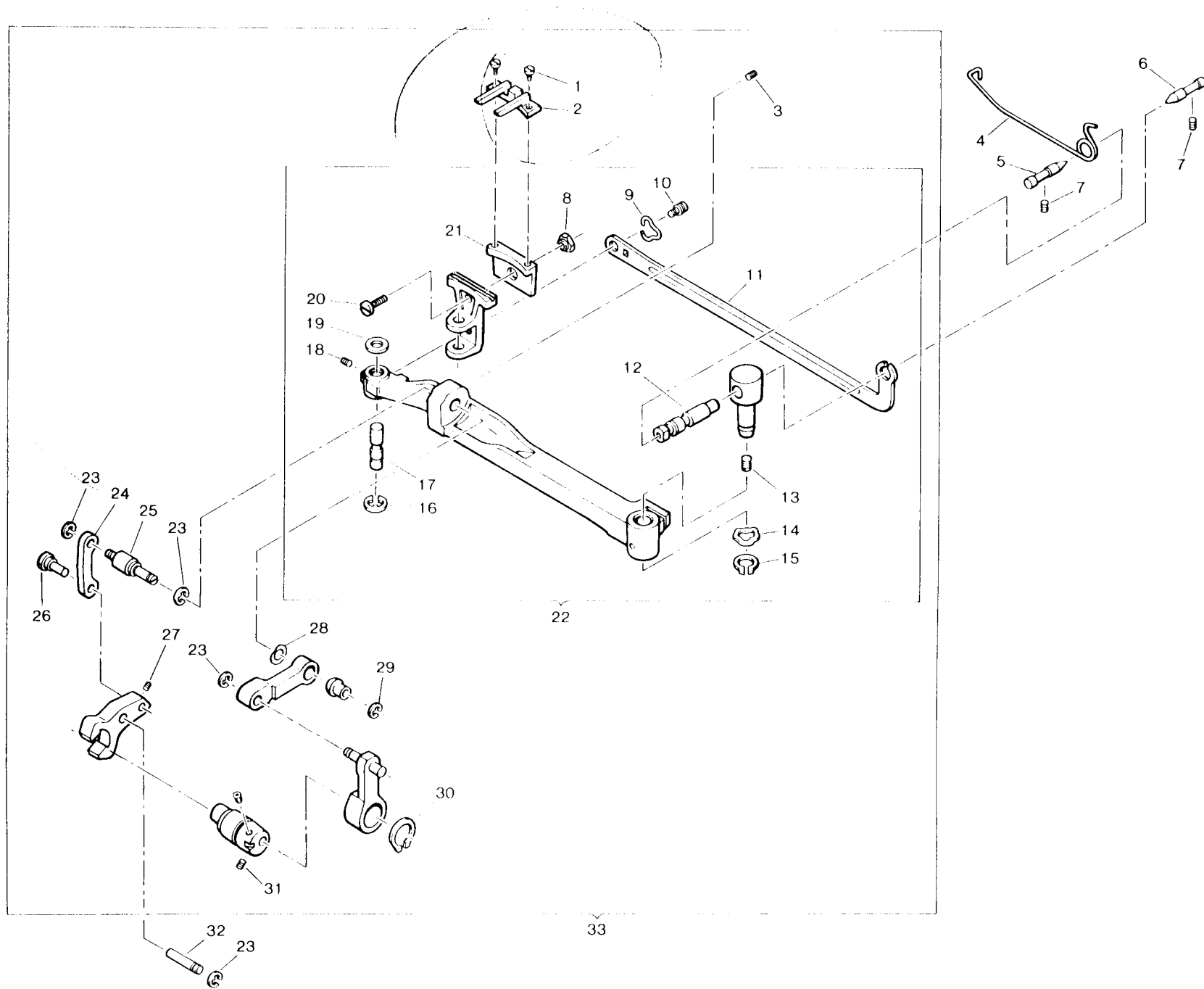
NEEDLE BAR DRIVE AND HAND WHEEL — 591

| REF. | PART NO. | DESCRIPTION |
|------|------------|---|
| 01 | 383286 | THREAD TAKE-UP CRANK (PLASTIC). |
| 02 | 383267 | NEEDLE BAR CONNECTING LINK (383267-900 MACHINED). |
| 03 | 383288 | THREAD TAKE-UP LEVER. |
| 04 | 181625 | THREAD TAKE-UP LEVER LINK HINGE STUD. |
| 05 | 354328-451 | THREAD TAKE-UP LEVER LINK HINGE STUD SET SCREW. |
| 06 | 354565-451 | THREAD TAKE-UP CRANK SET SCREW. |
| 07 | 139999-451 | NEEDLE BAR CRANK POSITION SCREW. |
| 08 | 181620 | NEEDLE BAR CRANK WASHER (PLASTIC). |
| 09 | 383234 | ARM SHAFT (HORIZONTAL). |
| 10 | 383252 | ARM SHAFT (HORIZONTAL) COLLAR. |
| 11 | 354565-451 | ARM SHAFT (HORIZONTAL) COLLAR SET SCREW. |
| 12 | 354506-451 | SHUNT HOLDER SET SCREW. |
| 13 | 382784 | SHUNT ASSEMBLY. |
| 14 | 382254 | BELT IDLER PULLEY (LARGE, PLASTIC). |
| 15 | 382787 | BELT IDLER PULLEY (SMALL) THRUST WASHER. |
| 16 | 151576 | BELT IDLER PULLEY (SMALL) RETAINING RING. |
| 17 | 382256 | BELT IDLER PULLEY (SMALL) STUD (ECCENTRIC). |
| 18 | 382255 | BELT IDLER PULLEY (SMALL, PLASTIC). |
| 19 | 382632 | BELT IDLER PULLEY (SMALL) STUD (ECCENTRIC). |
| 20 | 181732 | BELT (ROTATING HOOK DRIVE). |
| 21 | 354317-451 | HAND WHEEL SCREW. |
| 22 | 382320 | HAND WHEEL PULLEY. |
| 23 | 354201-451 | HAND WHEEL PULLEY SET SCREW. |
| 24 | 382319-454 | HAND WHEEL. |
| 25 | 354731-451 | BELT IDLER PULLEY (SMALL) STUD (ECCENTRIC) SCREW. |

NEEDLE BAR DRIVE AND HAND WHEEL — 591



FEED DRIVE MECHANISM — 053



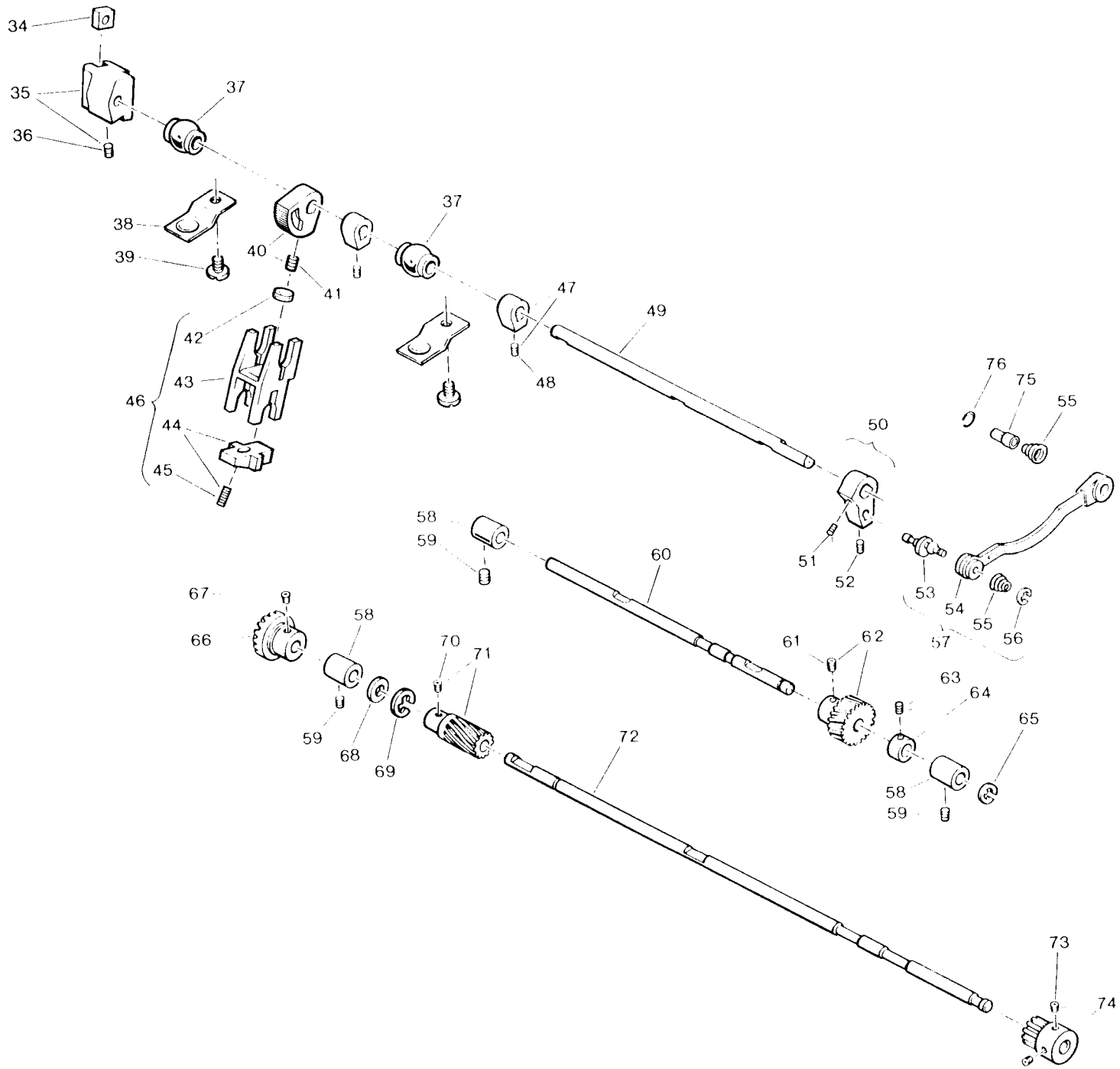
FEED DRIVE MECHANISM — 053

| REF. | PART NO. | DESCRIPTION | REF. | PART NO. | DESCRIPTION |
|------|---------------------------------|--|------|------------|---|
| 01 | 354719-451 N.L.A. | FEED DOG SCREW. 141920819 | 17 | 174217 | FEED DOG HOLDER STUD. |
| 02 | 383334 | FEED DOG (383334-900 WITH URETHANE COATING). | 18 | 139878-869 | FEED DOG HOLDER STUD SET SCREW. |
| 03 | 141812-451 | FEED BAR CONNECTION & FEED LIFTING FORK CONNECTION HINGE STUD (ECCENTRIC) SET SCREW. | 19 | 174251 | FEED DOG HOLDER WASHER. |
| 04 | 182239 | FEED BAR SPRING. | 20 | 354724-451 | FEED DOG HOLDER BRACKET SCREW. |
| 05 | 182199 | FEED BAR PIVOT HINGE STUD ADJUSTING PIN (ECCENTRIC) CENTER (FRONT). | 21 | 383430 | FEED DOG HOLDER BRACKET (383430-900 MACHINED). |
| 06 | 382722 | FEED BAR PIVOT HINGE STUD ADJUSTING PIN (ECCENTRIC) CENTER (BACK). | 22 | 383280 | FEED BAR ASSEMBLY. |
| 07 | 354163-451 | FEED BAR PIVOT HINGE STUD ADJUSTING PIN (ECCENTRIC) CENTER (BACK) SET SCREW. | 23 | 163562 | FEED BAR CONNECTION & FEED LIFTING FORK CONNECTION HINGE STUD (ECCENTRIC) RETAINING RING. |
| 08 | 179749-451 | FEED DOG HOLDER BRACKET SCREW NUT. | 24 | 511016 | FEED LIFTING FORK CONNECTION. |
| 09 | 511075 | FEED DOG HOLDER COMPENSATING LINK RETAINING SPRING. | 25 | 174247 | FEED BAR CONNECTION & FEED LIFTING FORK CONNECTION HINGE STUD (ECCENTRIC). |
| 10 | 141827-803 | FEED DOG HOLDER COMPENSATING LINK SCREW STUD. | 26 | 174220 | FEED LIFTING FORK CONNECTION HINGE STUD (ECCENTRIC). |
| 11 | 174216 | FEED DOG HOLDER COMPENSATING LINK (174216-900 HARDENED & WITH BLACK OXIDE FINISH). | 27 | 141802-869 | FEED LIFTING FORK CONNECTION HINGE STUD (ECCENTRIC) SET SCREW. |
| 12 | 381833 | FEED BAR PIVOT HINGE STUD ADJUSTING PIN (ECCENTRIC) (174249-900 MACHINED). | 28 | 172947 | FEED BAR CONNECTION & FEED LIFTING FORK CONNECTION HINGE STUD (ECCENTRIC) SPRING WASHER. |
| 13 | 141801-451 | FEED BAR PIVOT HINGE STUD LOCK SCREW. | 29 | 151576 | FEED BAR CONNECTION RETAINING RING (LEFT). |
| 14 | 511211 | FEED BAR PIVOT HINGE STUD SPRING WASHER. | 30 | 174277 | FEED REGULATOR SLIDE BLOCK DRIVE CONNECTION RETAINING RING. |
| 15 | 172876 | FEED BAR PIVOT HINGE STUD RETAINING RING. | 31 | 141802-869 | FEED LIFTING CAM & FEED ECCENTRIC SET SCREW. |
| 16 | 163562 | FEED DOG HOLDER STUD RETAINING RING. | 32 | 511057 | FEED LIFTING FORK HINGE STUD. |
| | | | 33 | 383335 | FEED BAR COMPL.. |

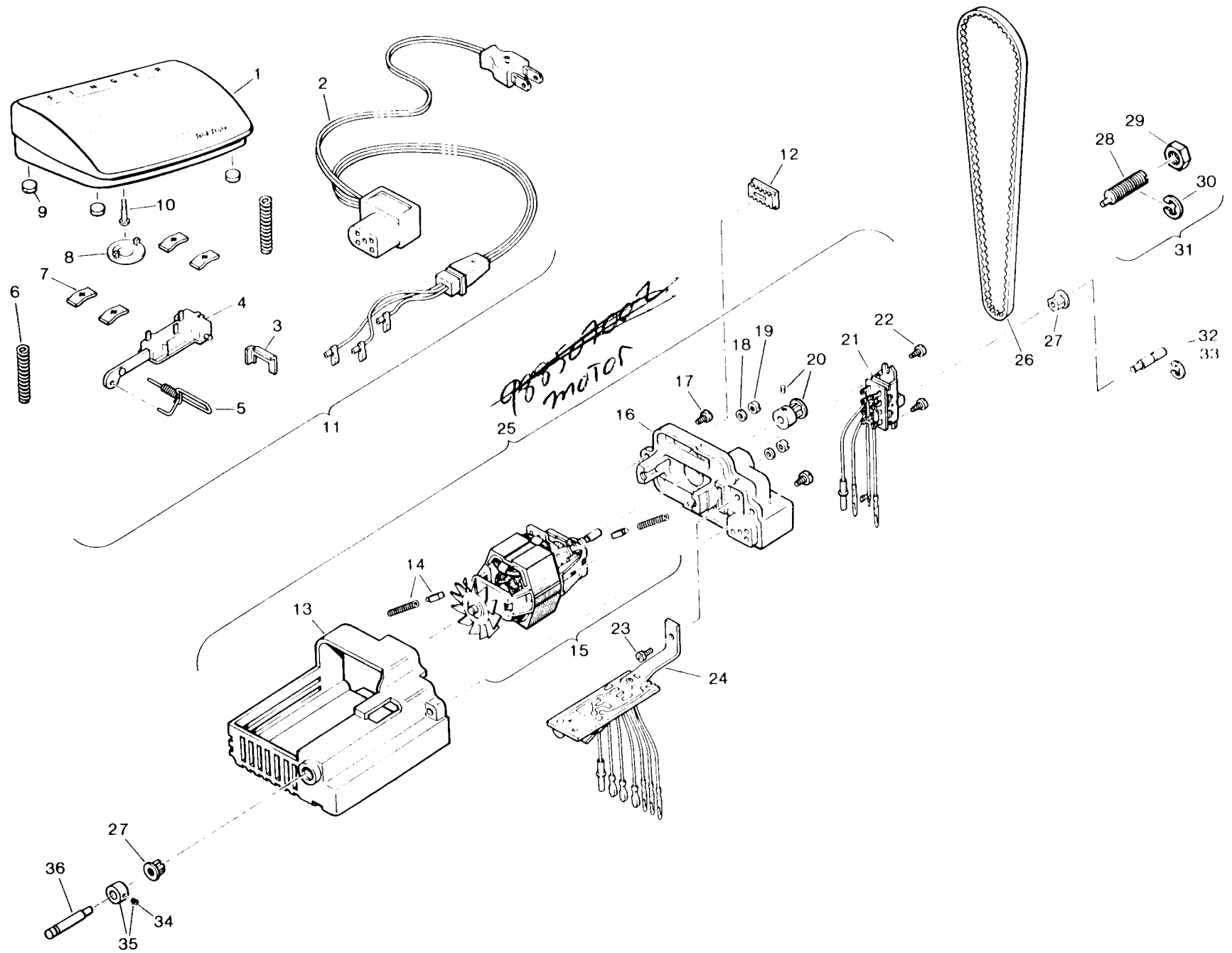
FEED DRIVE MECHANISM — 053

| REF. | PART NO. | DESCRIPTION | REF. | PART NO. | DESCRIPTION |
|------|------------|--|------|------------|---|
| 34 | 511030 | FEED REGULATOR SLIDE BLOCK. | 55 | 382602 | FEED REGULATOR SHAFT CRANK CONNECTING LINK FRICTION SPRING (FRONT). |
| 35 | 382918 | FEED REGULATOR. | 56 | 381726 | FEED REGULATOR SHAFT CRANK CONNECTING LINK RETAINING RING (FRONT). |
| 36 | 141818-869 | FEED REGULATOR SET SCREW. | 57 | 383278 | FEED REGULATOR SHAFT CRANK CONNECTING LINK. |
| 37 | 383258 | FEED REGULATOR SHAFT BUSHING (SELF-ALIGNING). | 58 | 383011 | FEED DRIVE SHAFT BUSHING (LEFT & RIGHT). |
| 38 | 383259 | FEED REGULATOR SHAFT BUSHING CLAMP. | 59 | 139878-869 | FEED DRIVE SHAFT BUSHING (LEFT & RIGHT) SET SCREW. |
| 39 | 354121-451 | FEED REGULATOR SHAFT BUSHING CLAMP SCREW. | 60 | 383028 | FEED DRIVE SHAFT. |
| 40 | 383079 | FEED REGULATOR SHAFT BRAKE. | 61 | 141338-869 | FEED DRIVE SHAFT GEAR (HELICAL, PLASTIC) SET SCREW. |
| 41 | 354660-451 | FEED REGULATOR SHAFT BRAKE SET SCREW. | 62 | 383273 | FEED DRIVE SHAFT GEAR (HELICAL, PLASTIC). |
| 42 | 383084 | FEED REGULATOR SHAFT BRAKE GUIDE FRICTION PAD. | 63 | 141802-869 | FEED DRIVE SHAFT RETAINING COLLAR SET SCREW. |
| 43 | 383082 | FEED REGULATOR SHAFT BRAKE GUIDE (PLASTIC). | 64 | 174235 | FEED DRIVE SHAFT RETAINING COLLAR WITH SCREW. |
| 44 | 383130 | FEED REGULATOR SHAFT BRAKE ADJUSTING BLOCK. | 65 | 163562 | FEED DRIVE SHAFT RETAINING RING. |
| 45 | 354643-451 | FEED REGULATOR SHAFT BRAKE ADJUSTING BLOCK SET SCREW. | 66 | 382877 | ROTATING HOOK DRIVE SHAFT BEVEL GEAR (PLASTIC). |
| 46 | 383594 | FEED REGULATOR SHAFT BRAKE GUIDE. | 67 | 141338-869 | ROTATING HOOK DRIVE SHAFT BEVEL GEAR (PLASTIC) SET SCREW. |
| 47 | 181900 | FEED REGULATOR SHAFT COLLAR. | 68 | 181957-451 | ROTATING HOOK DRIVE SHAFT THRUST WASHER. |
| 48 | 141802-869 | FEED REGULATOR SHAFT COLLAR SET SCREW. | 69 | 163562 | ROTATING HOOK DRIVE SHAFT THRUST WASHER RETAINING RING. |
| 49 | 383275 | FEED REGULATOR SHAFT. | 70 | 141772-869 | FEED DRIVE SHAFT DRIVING GEAR (HELICAL, PLASTIC) SET SCREW. |
| 50 | 382296-001 | FEED REGULATOR SHAFT CRANK. | 71 | 174488 | FEED DRIVE SHAFT DRIVING GEAR (HELICAL, PLASTIC). |
| 51 | 139878-869 | FEED REGULATOR SHAFT CRANK SET SCREW. | 72 | 181579 | ROTATING HOOK DRIVE SHAFT (181579-900 MACHINED). |
| 52 | 354575-451 | FEED REGULATOR SHAFT CRANK HINGE STUD (ECCENTRIC) SET SCREW. | 73 | 141338-869 | ROTATING HOOK DRIVE SHAFT BELT PULLEY SET SCREW. |
| 53 | 382894 | FEED REGULATOR SHAFT CRANK HINGE STUD (ECCENTRIC). | 74 | 174282-001 | ROTATING HOOK DRIVE SHAFT BELT PULLEY. |
| 54 | 383277 | FEED REGULATOR SHAFT CRANK CONNECTING LINK WITH MOLDED PLASTIC SOCKET. | 75 | 383525 | FEED REGULATOR SHAFT CRANK CONNECTING LINK RETAINING SLEEVE (BACK) (PLASTIC). |
| | | | 76 | 383526 | FEED REGULATOR SHAFT CRANK CONNECTING LINK RETAINING SLEEVE (BACK) CLAMPING RING. |

FEED DRIVE M. HANISM — 053



ELECTRICAL EQUIPMENT (110-120 VOLTS) — 6321



ELECTRICAL EQUIPMENT (. J-120 VOLTS) — 6321

| | | |
|----|------------|---|
| 01 | 619489-003 | BASE & PEDAL ASSEMBLED. |
| 02 | 604278-001 | CORD COMPL.. |
| 03 | 618813-001 | STRAIN RELIEF CLIP. |
| 04 | 604173-002 | STRAIGHT LINE POTENTIOMETER. |
| 05 | 619184-001 | ACTUATING LEVER WITH TORSION SPRING. |
| 06 | 618542-001 | PEDAL RETURN SPRING. |
| 07 | 618538-002 | PUSH-ON NUT. |
| 08 | 619492-001 | SNAP-ON PLUG. |
| 09 | 619491-001 | RUBBER FEET. |
| 10 | 619192-001 | SHOULDER SCREW. |
| 11 | 604280-001 | CONTROLLER COMPLETE (CAT. NO. 508). |
| 12 | 604228-001 | MOTOR ADJUSTING BLOCK. |
| 13 | 605173-001 | COVER. |
| 14 | 619434-002 | BRUSH WITH SPRING. |
| 15 | 605130-001 | MOTOR MODULE. |
| 16 | 605115-003 | COMMUTATOR END HOUSING W/NAME PLATE. |
| 17 | 618634-008 | SELF TAPPING SCREW (COVER). |
| 18 | 604018-001 | WASHER. |
| 19 | 603907-002 | NUT. |
| 20 | 604431-002 | PULLEY COMPLETE W/SET SCREWS. |
| 21 | 604783-001 | SWITCH COMPLETE. |
| 22 | 618634-004 | SELF TAPPING SCREW (SWITCH). |
| 23 | 618634-004 | SELF TAPPING SCREW. |
| 24 | 604787-001 | CIRCUIT BOARD ASSEMBLY. <i>PC BOARD - 488022001</i> |
| 25 | 605129-001 | MOTOR COMPLETE (CAT. NO. RA15-8). |
| 26 | 603975-002 | BELT MOTOR. |
| 27 | 604229-001 | BUSHING. |
| 28 | 182009 | MOTOR ADJUSTING STUD (ECCENTRIC). |
| 29 | 54585-451 | MOTOR ADJUSTING STUD (ECCENTRIC) JAM NUT. |
| 30 | 151525 | MOTOR ADJUSTING STUD (ECCENTRIC) RETAINING RING. |
| 31 | 382482 | MOTOR ADJUSTING STUD (ECCENTRIC). |
| 32 | 382367 | MOTOR HINGE PIN (RIGHT). |
| 33 | 151527 | MOTOR HINGE PIN (RIGHT) RETAINING RING. |
| 34 | 141802-869 | MOTOR HINGE PIN (LEFT) COLLAR SET SCREW. |
| 35 | 381867 | MOTOR HINGE PIN (LEFT) COLLAR. |
| 36 | 381691 | MOTOR HINGE PIN (LEFT). |

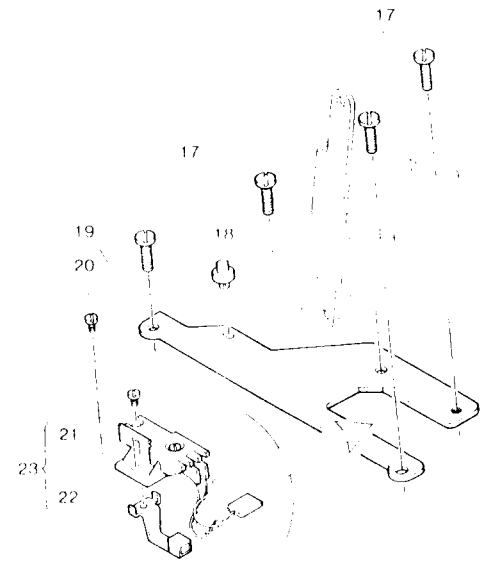
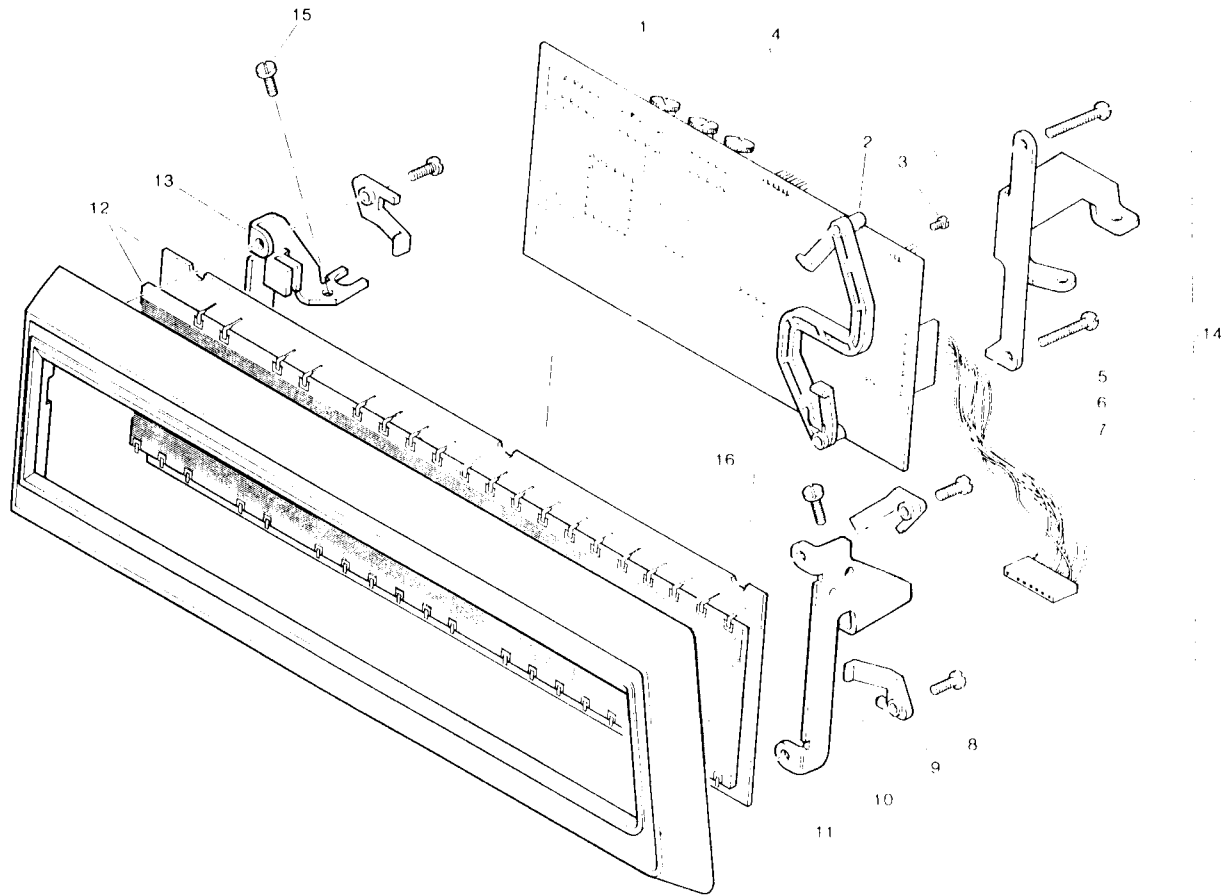
*fused cap
605477-001*

ELECTRONICS FOR LOGIC ELECTRICS AND CONTROL — 6

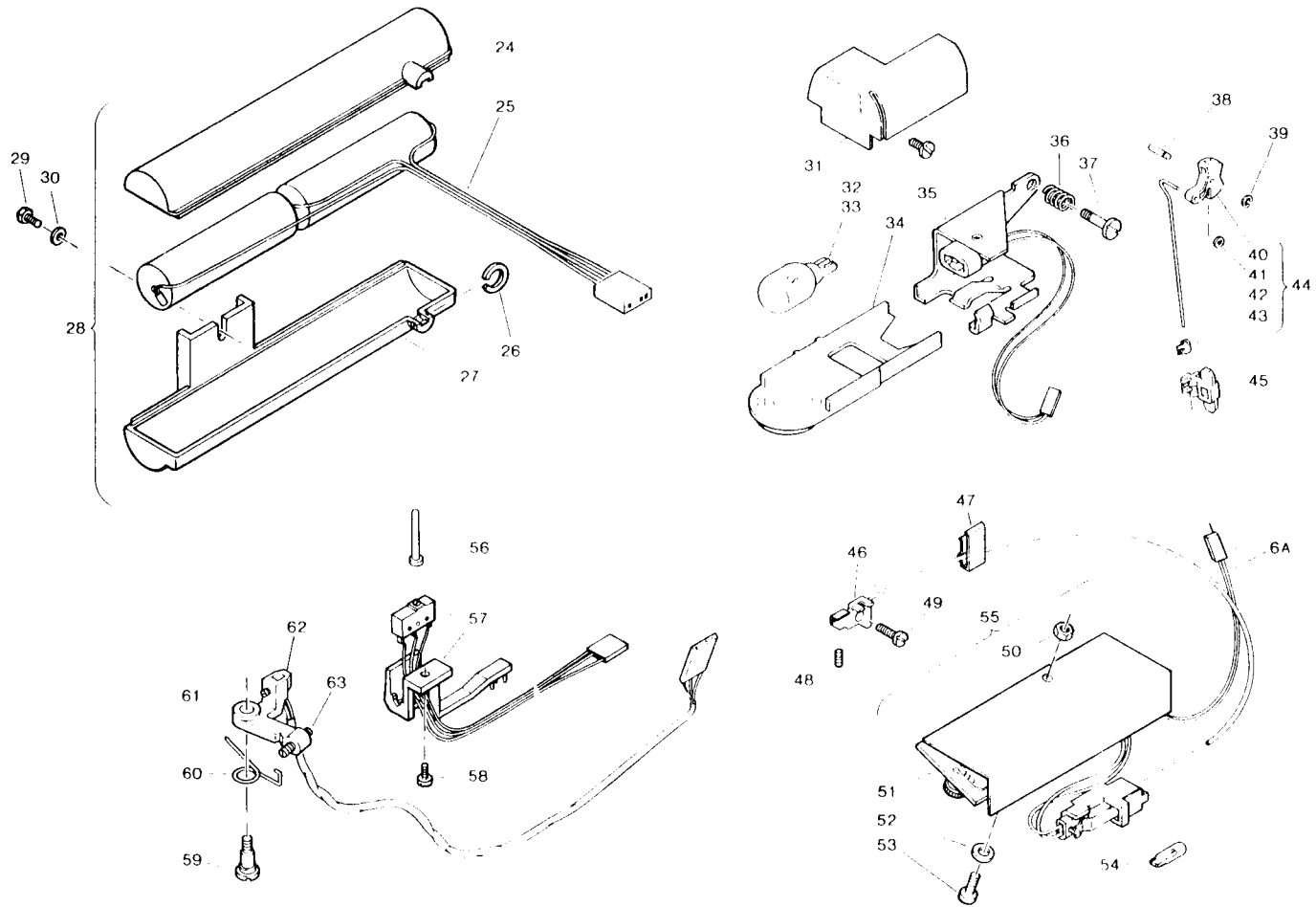
| REF. | PART NO. | DESCRIPTION |
|------|------------|---|
| 01 | 605324-005 | LOGIC BOARD ASSEMBLY. |
| 02 | 383432 | TOUCH PANEL RETAINER AND LOGIC BOARD SPACER. |
| 03 | 354735-451 | LOGIC BOARD SPACER FASTENING SCREW. |
| 04 | 605402-001 | LOGIC BOARD COMPLETE W/SPACER. |
| 05 | 354768-451 | CENTER BRACKET SCREW. |
| 06 | 383390 | PATTERN SELECTION CARRIER MOUNTING BRACKET (CENTER). |
| 07 | 605300-001 | HARNESS COMPL. TOUCH PANEL-LOGIC BOARD. |
| 08 | 354767-451 | LEFT & RIGHT BRACKET SCREW. |
| 09 | 383418 | TOUCH PANEL RETAINING CLIP. |
| 10 | 383392 | PATTERN SELECTION CARRIER MOUNTING BRACKET (RIGHT). |
| 11 | 383331 | PATTERN SELECTION CARRIER. |
| 12 | 605456-001 | TOUCH PANEL ASSEMBLY. |
| 13 | 383488 | PATTERN SELECTION CARRIER MOUNTING BRACKET W/SUPPORT BLOCK. |
| 14 | 383513 | TOUCH PANEL COMPLETE. |
| 15 | 354147-451 | PATTERN SELECTION CARRIER MOUNTING BRACKET (LEFT) SCREW. |
| 16 | 354090-451 | PATTERN SELECTION CARRIER MOUNTING BRACKET (RIGHT) SCREW. |
| 17 | 354756-451 | SENSOR & MAGNET HOLDING BLOCK MOUNTING BRACKET SCREW. |
| 18 | 383407 | BASTING STITCH SOLENOID SUPPORT (PLASTIC). |
| 19 | 383393 | SENSOR & MAGNET HOLDING BLOCK. |
| 20 | 354724-451 | SENSOR & MAGNET HOLDING BLOCK FASTENING SCREW. |
| 21 | 354049-451 | MAGNET MOUNTING BRACKET SCREW. |
| 22 | 604813 | MAGNET MOUNTING BRACKET. |
| 23 | 383518 | MAGNET WITH SENSOR SWITCH HARNESS AND BRACKET. |

ELECTRONICS FOR LOGIC ELECTRICS AND CONTROL — 6

2001



ELECTRONICS FOR LOGIC ELECTRICS AND CONTROL — 6



ELECTRONICS FOR LOGIC ELECTRONICS AND CONTROL — 6

| REF. | PART NO. | DESCRIPTION | REF. | PART NO. | DESCRIPTION |
|------|------------|--|------|------------|---|
| 24 | 382684 | CAPACITOR HOUSING (UPPER). | 45 | 382382 | LIGHT SWITCH ACTUATING BRACKET (PLASTIC). |
| 25 | 605335-001 | HARNESS W/CAPACITORS. | 46 | 383417 | LIGHT ROD WITH HOLDER. |
| 26 | 151545 | CAPACITOR HOUSING CLAMPING RING. | 47 | 383500 | LIGHT ROD CLIP. |
| 27 | 382683 | CAPACITOR HOUSING (LOWER). | 48 | 354720-451 | LIGHT ROD HOLDER ADJUSTING SCREW. |
| 28 | 605336-001 | CAPACITOR W/HARNESS & HOUSING ASSEMBLY. | 49 | 354734-451 | LIGHT ROD MOUNTING SCREW. |
| 29 | 354550-451 | CAPACITOR HOUSING MOUNTING SCREW. | 50 | 514674-451 | CIRCUIT BOARD SCREW NUT. |
| 30 | 931868-027 | CAPACITOR HOUSING MOUNTING SCREW WASHER. | 51 | 605323-002 | LOW BOBBIN THREAD INDICATOR BOARD ASSEMBLY. |
| 31 | 605279-001 | LIGHT SHIELD. | 52 | 383508 | CIRCUIT BOARD SCREW LOCK WASHER. |
| 32 | 354090-451 | LIGHT SHIELD SCREW. | 53 | 354724-451 | CIRCUIT BOARD SCREW. |
| 33 | 605282-002 | LAMP. | 54 | 605271-001 | BOBBIN RUNOUT LAMP-WEDGE BASE. |
| 34 | 605283-001 | LIGHT LENS. | 55 | 605322-004 | LOW BOBBIN THREAD INDICATOR BOARD W/CLIP COMPLETE. |
| 35 | 605281-001 | LIGHT COMPLETE W/BRACKET X605280-901 PURCHASED FROM LEECRAFT MFG CO. | 56 | 382778 | STRAIGHT STITCH SAFETY SWITCH ACTUATING PLUNGER (PLASTIC) (IN BED). |
| 36 | 603987-001 | LIGHT BRACKET SPRING. | 57 | 605658-001 | STRAIGHT STITCH SAFETY SWITCH HARNESS & MOUNTING BRACKET. |
| 37 | 619407-003 | LIGHT BRACKET MOUNTING SCREW. | 58 | 141824-814 | STRAIGHT STITCH SAFETY SWITCH BRACKET SCREW. |
| 38 | 182046 | LIGHT SWITCH ACTUATING ROCKER BUTTON PIN. | 59 | 354712-451 | LIGHT SENSOR HOLDER MOUNTING SCREW. |
| 39 | 14494 | LIGHT SWITCH ACTUATING ROCKER BUTTON RETAINING RING. | 6A | 605342-001 | HARNESS COMPL. LOW BOBBIN THREAD INDICATING BOARD TO INTERCONNECT. |
| 40 | 182048-453 | LIGHT SWITCH ACTUATING ROCKER BUTTON (PLASTIC). | 60 | 383427 | LIGHT SENSOR HOLDER SPRING. |
| 41 | 381513 | LIGHT SWITCH ACTUATING ROD RETAINING RING. | 61 | 354722-451 | LIGHT SENSOR SET SCREW. |
| 42 | 381511 | LIGHT SWITCH ACTUATING ROD. | 62 | 383514 | LIGHT SENSOR HOLDER ASSEMBLY. |
| 43 | 382330 | LIGHT SWITCH ACTUATING BRACKET SPRING CLIP. | 63 | 354721-451 | LIGHT SENSOR HOLDER ADJUSTING SCREW. |
| 44 | 381512-453 | LIGHT SWITCH ACTUATING ROCKER BUTTON. | | | |

ELECTRONICS FOR LOGIC ELECTRICS AND CONTROL — 6

| REF. | PART NO. | DESCRIPTION |
|------|------------|---|
| 64 | 382896 | TRANSFORMER RETAINING PIN (PLASTIC). |
| 65 | 383294 | TRANSFORMER HOUSING (PLASTIC). |
| 66 | 605375-001 | TRANSFORMER W/CONNECTORS. |
| 67 | 354090-451 | TRANSFORMER MOUNTING SCREW. |
| 68 | 383295 | TRANSFORMER RETAINER (PLASTIC). |
| 69 | 383561 | SPEAKER BRACKET. |
| 70 | 605339-001 | SPEAKER W/HARNESS COMPLETE. |
| 71 | 383578 | SPEAKER W/HARNESS & BRACKET. |
| 72 | 605301-001 | HARNESS COMPL. LOGIC BOARD-SERVO BOARD. |
| 73 | 605298-001 | HARNESS COMPL. TOUCH PANEL BOARD/POWER-SERVO BOARD. |
| 74 | 605299-001 | HARNESS COMPL. BOBBIN ALARM BOARD/POWER-SERVO. |
| 75 | 605630-002 | HARNESS COMPLETE LOGIC TO SERVO BOARD. |
| 76 | 604537-001 | GROMMET (PLASTIC). |
| 78 | 354147-451 | POWER SERVO BOARD MOUNTING SCREW. |
| 79 | 605362-001 | POWER SERVO BOARD SPACER (LOWER, PLASTIC). |
| 80 | 605363-001 | POWER SERVO BOARD SPACER (UPPER, PLASTIC). |
| 81 | 605326-002 | POWER SERVO BOARD ASSEMBLY. |
| 82 | 605600-001 | CABLE TIE WRAP (PLASTIC). |
| 83 | 354529-451 | BRACKET MOUNTING SCREW. |
| 84 | 604494-001 | MOUNTING BRACKET. |
| 85 | 605522-001 | CIRCUIT BREAKER. |
| 86 | 604493-001 | CIRCUIT BREAKER WITH BRACKET. |
| 87 | 604510-001 | CIRCUIT BREAKER COVER. |
| 88 | 605388-001 | HARNESS TRANSFORMER. |
| 89 | 382909 | FEED DRIVE LINEAR MOTOR POTENTIOMETER CAP (PLASTIC). |
| 90 | 383212 | FEED DRIVE LINEAR MOTOR ASSEMBLY. |
| 91 | 605632-001 | HARNESS COMPL. (FEED MOTOR TO SERVO P.C. BOARD) (NO. 26 AWG). |
| 92 | 354090-451 | FEED DRIVE LINEAR MOTOR MOUNTING BRACKET SCREW. |
| 93 | 354538-451 | FEED DRIVE LINEAR MOTOR MOUNTING SCREW. |
| 94 | 382285 | FEED DRIVE LINEAR MOTOR MOUNTING BRACKET. |

ELECTRONICS FOR LOGIC EL .CS AND CONTROL — 6

