

SINGER
1800 Series/1730/2430

LIST OF PARTS

SEWING MACHINE SERIES

1800

by

SINGER

1730
also

2430
same
ad.



THE SINGER COMPANY
1988 SINGER DO BRASIL
ALL RIGHTS RESERVED

* REGISTERED TRADEMARK

PRINTED IN BRAZIL
356497-001

MAY-89



1800 SERIES
REVISION RECORD

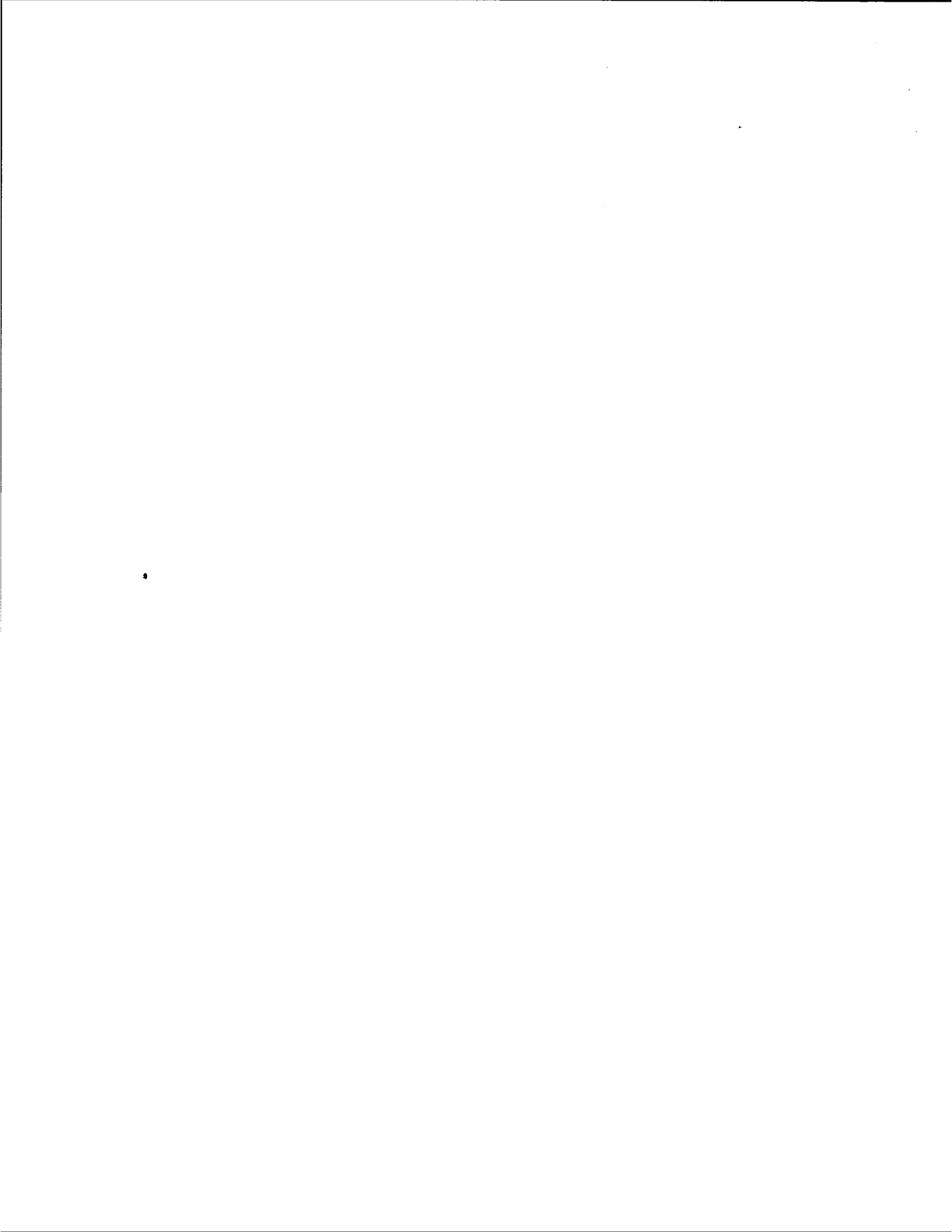
J.	DESCRIPTION	APPROVAL AND DATE
1	<p>ADOPTED BY SERVICE LETTER NBR 009</p> <p>CHANGED REF. NBR 08 FROM P/N 354669-451 TO P/N 355240- 451 PAGE 24</p> <p>ADDED REF. NBR 27 P/N 618638-005 PAGE 23/24</p>	<p><i>Handwritten mark</i></p> <p>3425 08/04/89</p> <p>3425 08/08/89</p>
2	<p>CHANGED REF. NBR 30 FROM P/N 355237-451 TO P/N 141936-833 PAGE 08</p> <p>CHANGED REF. NBR 12 FROM P/N 141938-833 TO P/N 141803-830 PAGE 18</p> <p>CHANGED REF. NBR 29 FROM P/N 141938-833 TO P/N 141803-830 PAGE 20</p> <p>CHANGED REF. NBR 09 FROM P/N 53641-819 TO P/N 356393-451 PAGE 24</p>	<p>6959 10/23/89</p> <p>7029 03/27/89</p> <p>7029 03/27/89</p> <p>6971 11/02/88</p> <p><i>Handwritten mark</i></p>
3	<p>CHANGED REF. NBR 11 FROM P/N 381213 TO P/N 356630 PAGE 01/02</p> <p>CHANGED REF. NBR 01 FROM P/N 353472 TO P/N 356397 PAGE 27/28</p> <p>ADDED REF. NBR 02 P/N 354975-451 PAGE 27/28</p> <p>ADDED REF. NBR 03 P/N 44892 PAGE 27/28</p> <p>ADDED REF. NBR 04 P/N 618638-005 PAGE 27/28</p> <p>CHANGED REF. NBR 35 FROM P/N 353487 TO P/N 353478 PAGE 27/28</p>	<p>7121 06/18/90</p> <p>7094 06/25/90</p> <p>7094 06/25/90</p> <p>7094 06/25/90</p> <p>7094 06/25/90</p> <p>7094 06/25/90</p> <p>7094 06/25/90</p> <p><i>Handwritten mark</i></p>
4	<p>DELETED P/N 445721 PAGE 27/28</p> <p>ADDED REF. NBR 09 P/N 618638-005 PAGE 27/28</p> <p>CHANGED REF. NBR 10 FROM P/N 353446 TO P/N 356650 PAGE 27/28</p> <p>CHANGED REF. NBR 11 FROM P/N 44612 TO P/N 44892 PAGE 27/28</p> <p>CHANGED REF. NBR 12 FROM P/N 353305 TO P/N 356652 PAGE 27/28</p> <p>CHANGED REF. NBR 21 FROM P/N 531617-451 TO P/N 356802-451 PAGE 27/28</p> <p>CHANGED REF. NBR 22 FROM P/N 531618-451 TO P/N 356801-451 PAGE 27/28</p> <p>DELETED P/N 445945 PAGE 27/28</p> <p>DELETED P/N 113433-451 PAGE 27/28</p> <p>DELETED P/N 353445 PAGE 27/28</p> <p>CHANGED REF. NBR 28 FROM P/N 179903-452 TO P/N 356654-452 PAGE 27/28</p>	<p>7195 09/18/90</p> <p>7195 09/18/90</p> <p>7195 09/18/90</p> <p>7195 09/18/90</p> <p>7195 09/18/90</p> <p>7195 09/18/90</p> <p>7195 09/18/90</p> <p>7195 09/18/90</p> <p>7195 09/18/90</p> <p>7195 09/18/90</p> <p>7195 09/18/90</p> <p>7195 09/18/90</p> <p>7195 09/18/90</p> <p>7195 09/18/90</p> <p>7195 09/18/90</p> <p><i>Handwritten mark</i></p>

1800 SERIES
REVISION RECORD

REF.	DESCRIPTION	APPROVAL AND DATE
4	ADDED REF. NBR 29 P/N 356830-001 PAGE 27/28	7230 10/25/90 <i>JW</i>

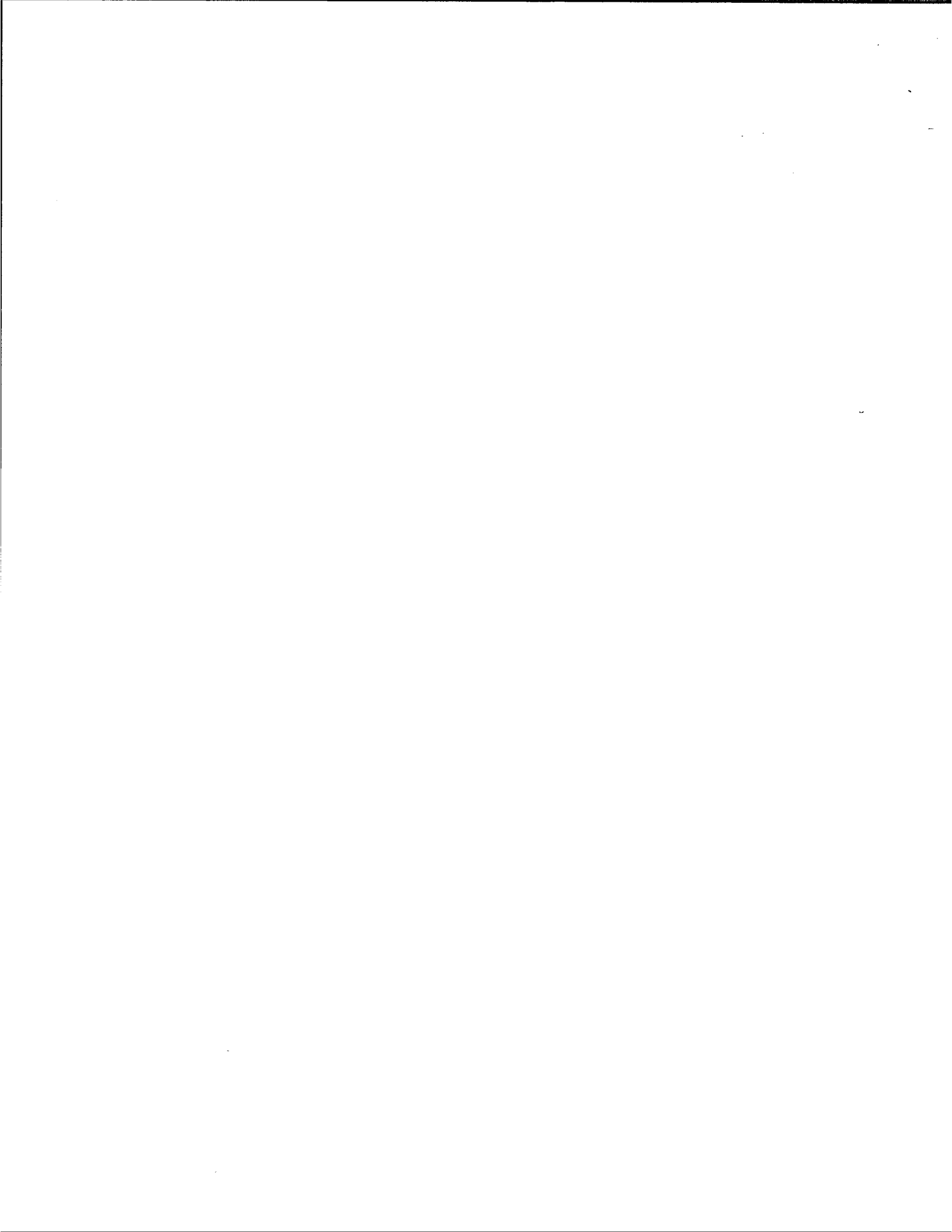
1800 SERIES
REVISION RECORD

REV.	DESCRIPTION	APPROVAL AND DATE
1	<p style="text-align: center;">ADOPTED BY SERVICE LETTER NBR 009</p> <p>CHANGED REF. NBR 08 FROM P/N 354669-451 TO P/N 355240- 451 PAGE 24</p> <p>ADDED REF. NBR 27 P/N 618638-005 PAGE 23/24</p>	<p style="text-align: right;"><i>A.1</i></p> <p>3425 08/04/89 3425 08/08/89</p>
2	<p>CHANGED REF. NBR 30 FROM P/N 355237-451 TO P/N 141936-833 PAGE 08</p> <p>CHANGED REF. NBR 12 FROM P/N 141938-833 TO P/N 141803-830 PAGE 18</p> <p>CHANGED REF. NBR 29 FROM P/N 141938-833 TO P/N 141803-830 PAGE 20</p> <p>CHANGED REF. NBR 09 FROM P/N 53641-819 TO P/N 356393-451 PAGE 24</p>	<p>6959 10/23/89 7029 03/27/89 7029 03/27/89 6971 11/02/88</p> <p style="text-align: right;"><i>Paul</i></p>



1800 SERIES
REVISION RECORD

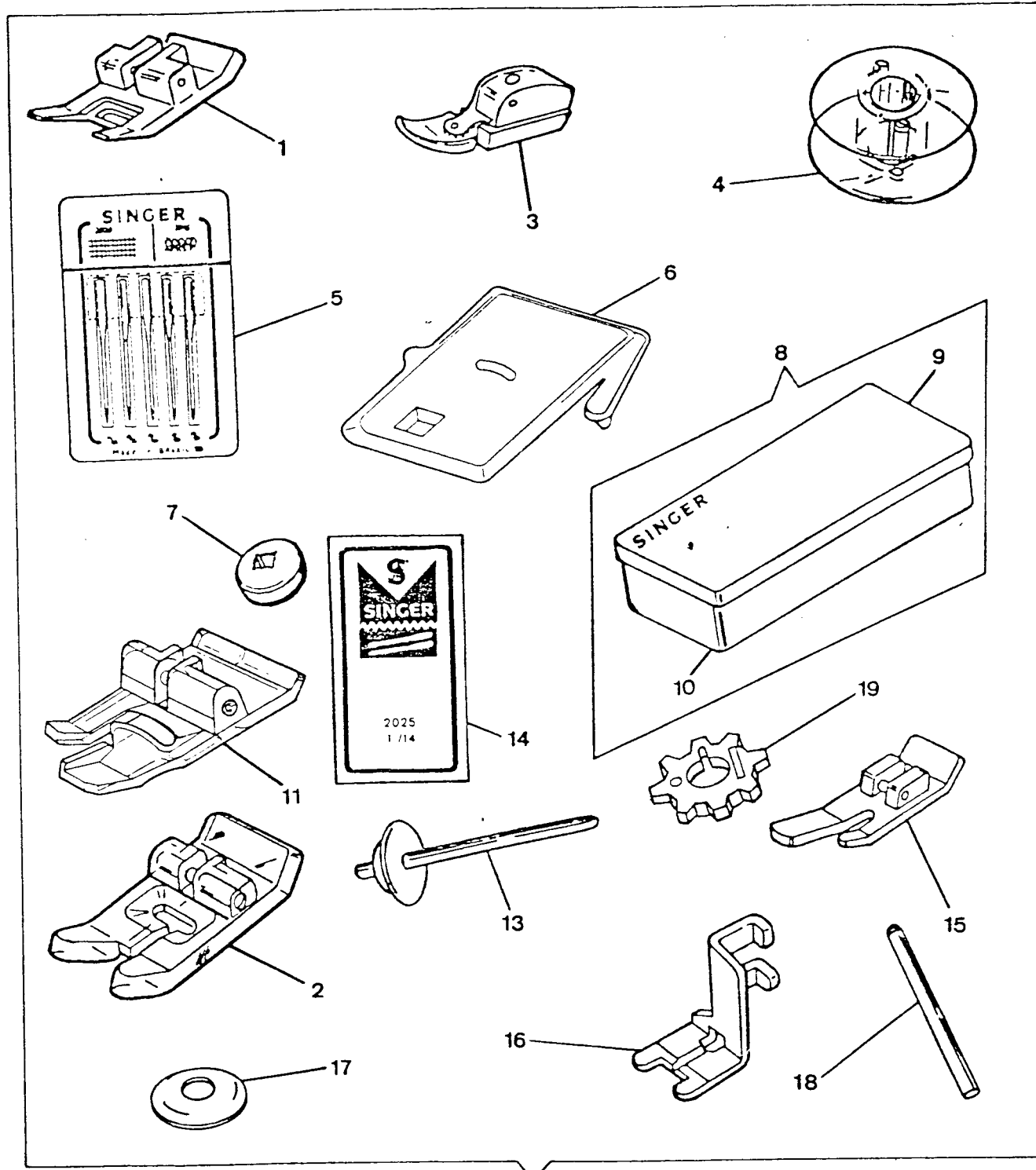
REV.	DESCRIPTION	APPROVAL AND DATE
1	ADOPTED BY SERVICE LETTER NBR 009 CHANGED REF. NBR 08 FROM P/N 354669-451 TO P/N 355241- 451 PAGE 24 ADDED REF. NBR 27 P/N 618638-005 PAGE 23/24	3425 08/04/89 3425 08/08/89



INDEX

PAGE NBR	SUB-ASSEMBLY
01 - 02	ATTACHMENT SET
03 - 04	ARM, BED, THROAT PLATE & BED SLIDE
05 - 08	ARM TOP COVER & CONTROL PANEL
09 - 12	NEEDLE BAR & THREAD TAKE-UP
13 - 14	PRESSER BAR
15 - 16	ARM SHAFT DRIVE
17 - 18	TENSION ASSEMBLY & HAND WHEEL
19 - 20	HOOK SYSTEM & BOBBIN WINDER
21 - 22	BIGHT AMPLITUDE
23 - 24	NEEDLE POSITION
25 - 26	CAM STACK & PATTERN SELECTOR
27 - 28	BUTTONHOLER & FEED REGULATOR
29 - 30	FEED SYSTEM
31 - 32	BOTTOM COVERS
33 - 34	OPTIONS & ELECTRICAL INTERFACE

ATTACHMENT SET



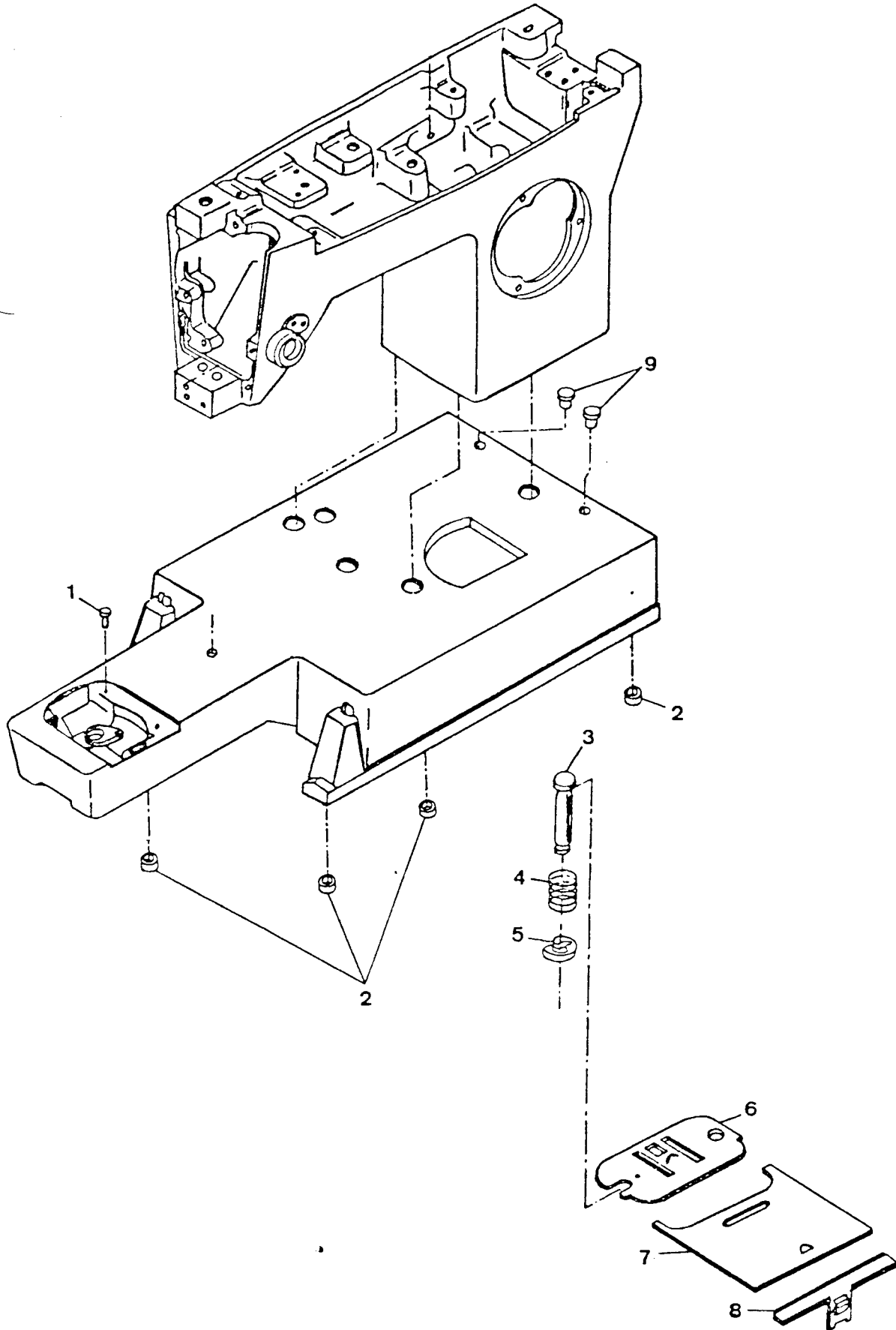
PART LIST
ATTACHMENT SET

1873

1	1	1
8	8	8
0	0	1
2	3	2

REF.	PART NBR	DESCRIPTION			
01	446492-451	SPECIAL PURPOSE PRESSER FOOT PLATE		X	X
02	161927	BUTTONHOLER PRESSER FOOT		X	X
03	507836	ZIPPER & CORDING PRESSER FOOT		X	X
04	172336	BOBBIN (PLASTIC)	X	X	X
05	353364	NEEDLE PACK	X	X	X
06	313117	FEED COVER PLATE (PLASTIC)	X	X	X
07	507664-457	ARM TOP COVER SPOOL PIN THREAD LEAD-OFF (SMALL PLASTIC)	X	X	X
08	446150-454	ATTACHMENT BOX COMPLETE	X	X	X
09	446149-453	ATTACHMENT BOX COVER (PLASTIC)	X	X	X
10	446148-454	ATTACHMENT BOX BASE (PLASTIC)	X	X	X
11	356630	BLIND STITCH GUIDE		X	X
12	531854	ATTACHMENT SET COMPLETE (USA/CANADA)	X		
12	356037	ATTACHMENT SET COMPLETE (FOR AMEDO)	X		
12	531855	ATTACHMENT SET COMPLETE (USA/CANADA)		X	
12	356360	ATTACHMENT SET COMPLETE (FOR AMEDO)		X	
12	531857	ATTACHMENT SET COMPLETE (USA/CANADA)			X
12	356172	ATTACHMENT SET COMPLETE (EUROPE)		X	
12	531900	ATTACHMENT SET COMPLETE (EUROPE)	X		
12	356031	ATTACHMENT SET COMPLETE (EUROPE & AMEDO)			X
13	444813-454	SPOOL PIN (PLASTIC) FOR TWIN NEEDLE (FOR U.S. ONLY)			X
14	531868	NEEDLE PACK WITH 1 NEEDLE 2025-14 (FOR U.S. ONLY)	X	X	X
15	153267	PRESSER FOOT PLATE FOR STRAIGHT STITCH (FOR U.S. ONLY)			X
16	179911	PRESSER FOOT FOR SEWING ON BUTTON			X
17	8879-455	ARM SPOOL PIN WASHER (LEFT) (FOR TWIN NEEDLE)	X	X	
18	179948-451	SPOOL PIN FOR TWIN NEEDLE (FOR U.S. ONLY)	X	X	
19	276301	DISC NBR 1 (PLAIN ZIG-ZAG STITCH)			X
19	276302	DISC NBR 2 (MULTI ZIG-ZAG STITCH)			X
19	276305	DISC NBR 5 (ARROWHEAD STITCH)			X
19	276306	DISC NBR 6 (DOMINO STITCH)			X
19	276310	DISC NBR 10 (BANNER STITCH)			X
19	276311	DISC NBR 11 (KEY STITCH)			X
19	276312	DISC NBR 12 (WALLS OF TROY STITCH)			X
19	276313	DISC NBR 13 (DIAMOND STITCH)			X
19	276317	DISC NBR 17 (PENNANT STITCH)			X
19	276319	DISC NBR 19 (BALL STITCH)			X
19	276320	DISC NBR 20 (CURVE MENDING STITCH)			X
19	276325	DISC NBR 25 (SPINY STITCH)			X
19	276326	DISC NBR 26 (BLOCK STITCH)			X
19	276327	DISC NBR 27 (FAGOTING STITCH)			X
19	276337	DISC NBR 37 (ALPINE STITCH)			X
19	276340	DISC NBR 3/350 (BLIND STITCH)			X
19	276342	DISC NBR 8/352 (SOLID SCALLOP STITCH)			X
19	276341	DISC NBR 31/351 (CRESCENT STITCH)			X

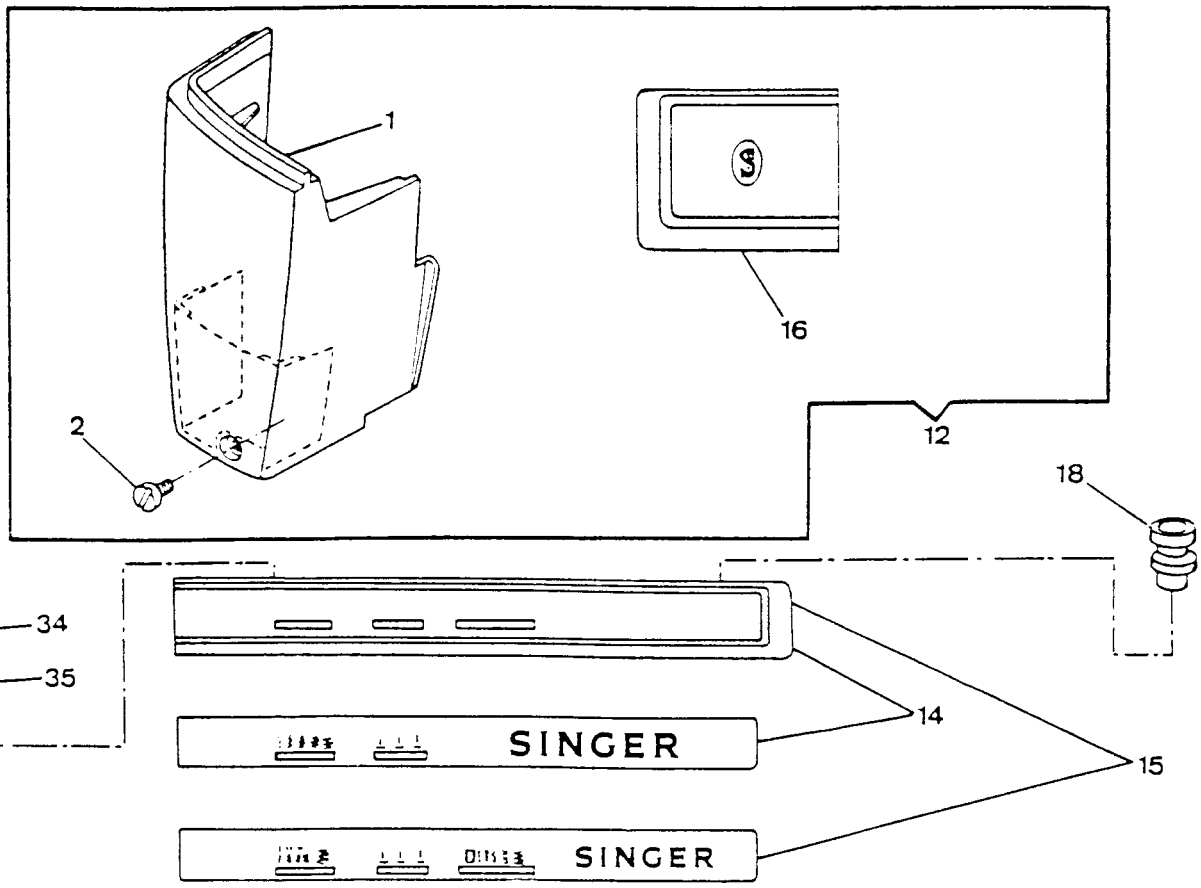
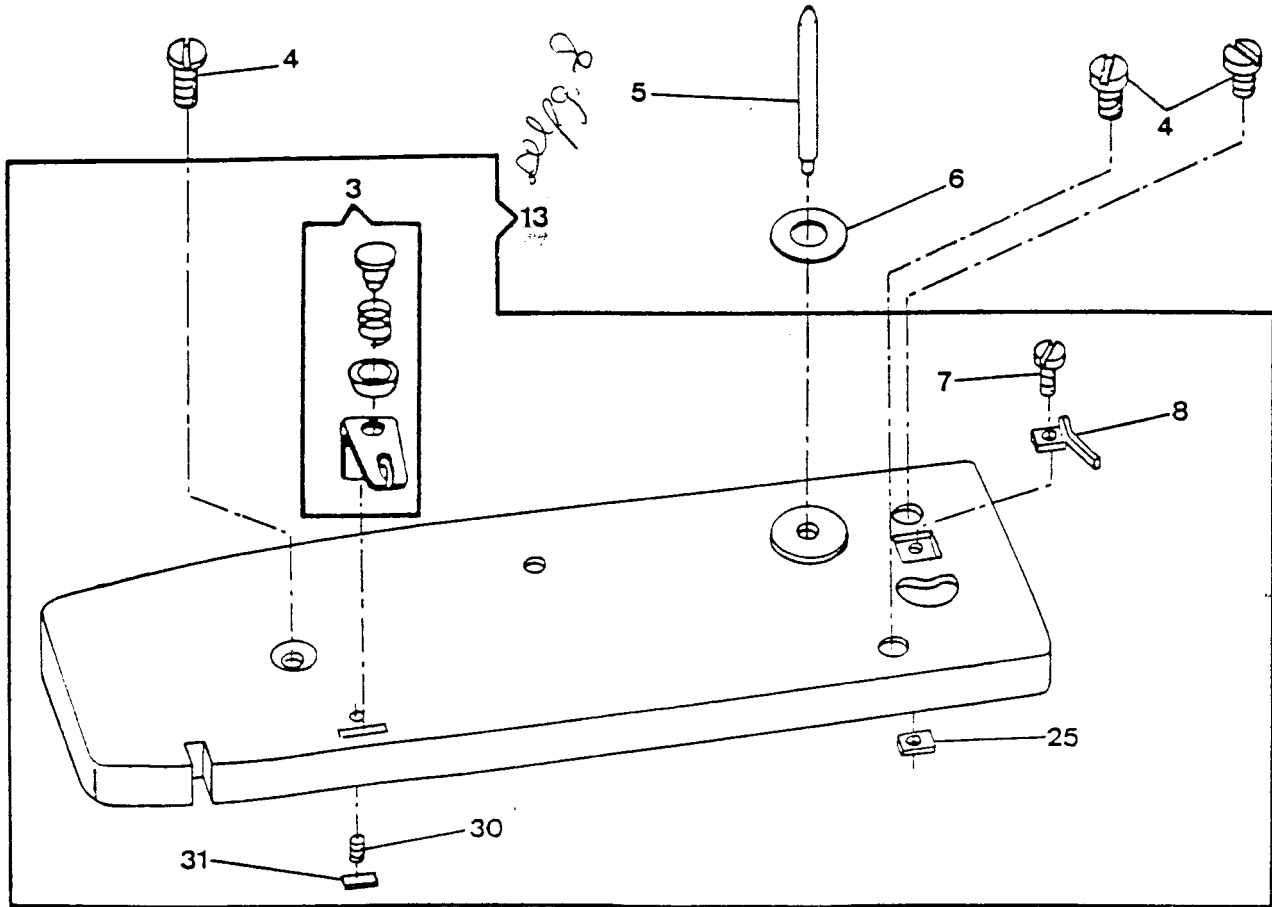
ARM, BED, THROAT PLATE & BED SLIDE



PART LIST
ARM, BED, THROAT PLATE & BED SLIDE

REF.	PART NBR	DESCRIPTION	1	1	1
			8	8	8
			0	0	1
			2	3	2
01	353624	THROAT PLATE POSITION PIN (PLASTIC)	X	X	X
02	353559-451	BED CUSHION	X	X	X
03	353597	THROAT PLATE CLAMPING	X	X	X
04	335494	THROAT PLATE CLAMP SPRING	X	X	X
05	179926	THROAT PLATE CLAMP SPRING RETAINING RING	X	X	X
06	312777	THROAT PLATE FOR ZIG-ZAG SEWING	X	X	X
07	446481	BED SLIDE	X	X	X
08	446482	BED SLIDE SPRING	X	X	X
09	356179-451	BED HOLE PLUG	X	X	X

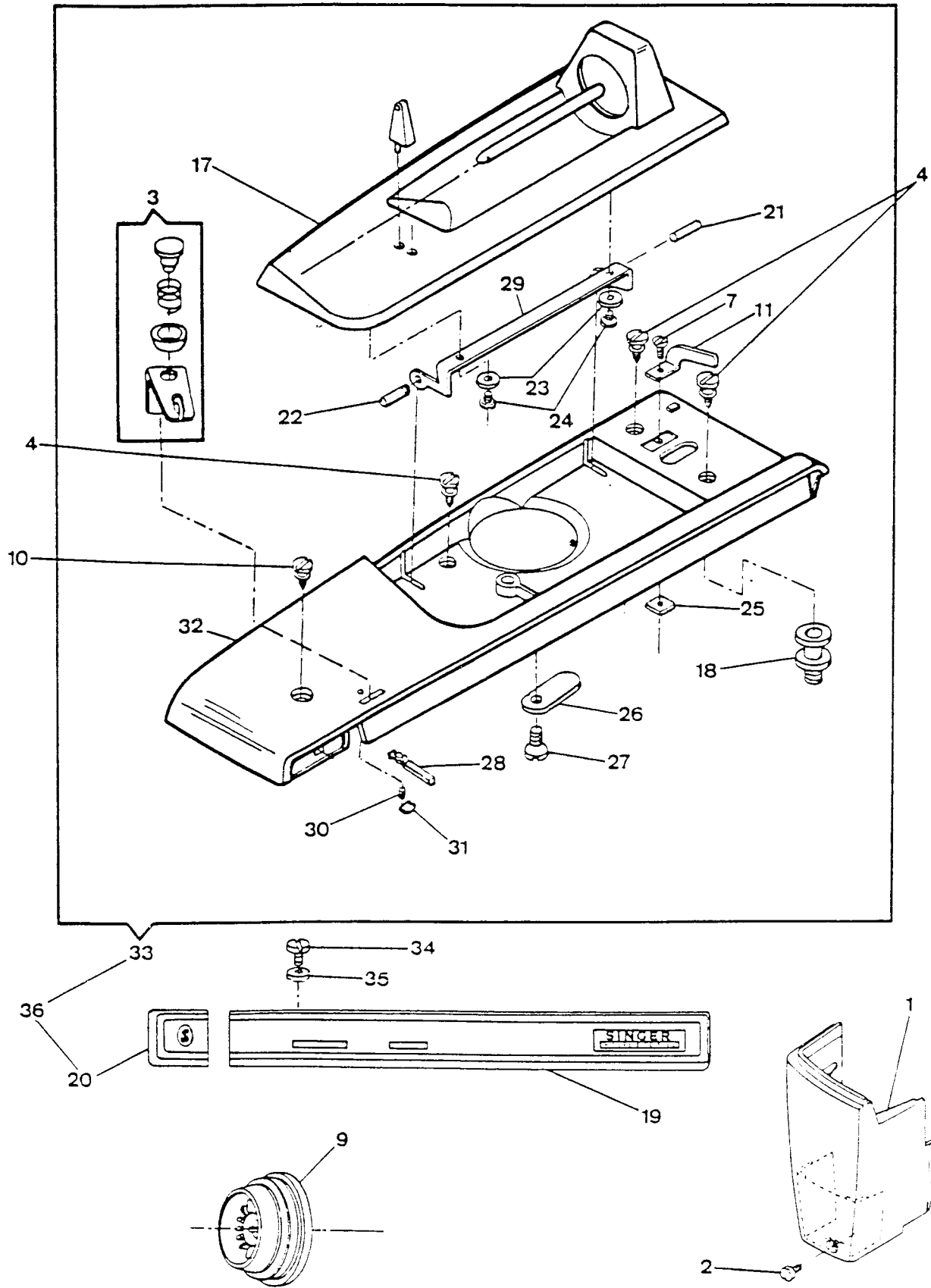
ARM TOP COVER & CONTROL PANEL



PART LIST
ARM TOP COVER & CONTROL PANEL

REF.	PART NBR	DESCRIPTION	1	1	1
			8	8	8
			0	0	1
			2	3	2
01	445917-451	FACE PLATE WITH REFLECTOR			X
02	354133-453	FACE PLATE SCREW	X	X	X
03	044368	BOBBIN WINDER TENSION COMPLETE / <i>Bobbin Winder</i>	X	X	X
04	354895-453	ARM TOP COVER MOUNTING SCREW	X	X	X
05	173571	ARM TOP COVER SPOOL PIN (PLASTIC)	X	X	
06	8879-455	ARM SPOOL PIN WASHER (FELT)	X	X	
07	141920-453	BOBBIN WINDER STOP SCREW	X	X	X
08	444924 445924	BOBBIN WINDER STOP <i>connected per Margaret 10-10-96</i>	X	X	
09	179967-453	ARM TOP COVER SPOOL PIN THREAD LEAD OFF COMPLETE			X
10	354975-451	ARM TOP COVER SCREW			X

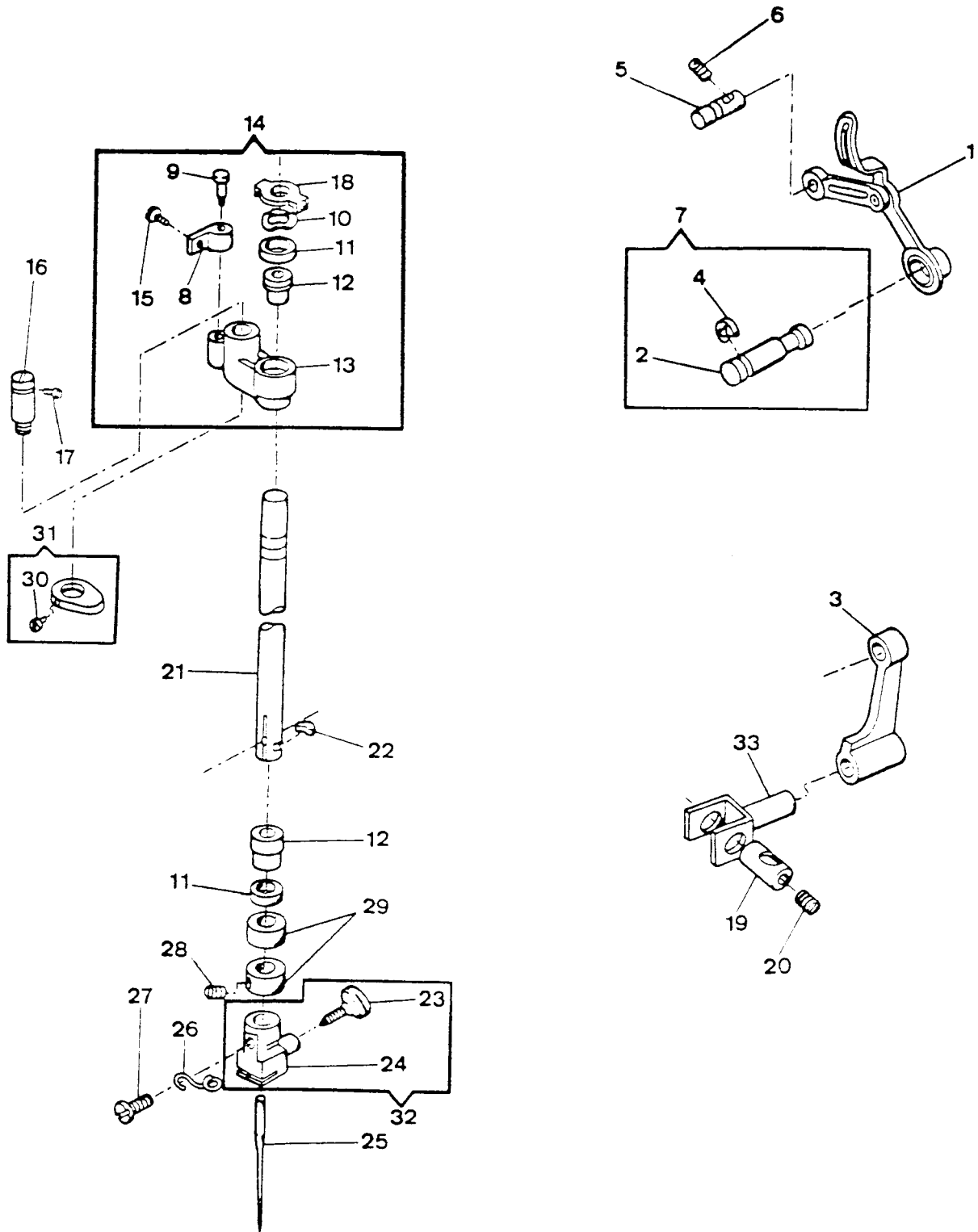
ARM TOP COVER & CONTROL PANEL (CONT.)



PART LIST
ARM TOP COVER & CONTROL PANEL (COMPLETE)

REF.	PART NBR	DESCRIPTION	1	2	3
			1	1	1
			8	8	8
			0	0	1
			2	3	2
11	353224	BOBBIN WINDER STOP			X
12	531870-451	FACE PLATE WITH MEDALLION FRAME (MERRITT 1802)	X		
12	531870-452	FACE PLATE WITH MEDALLION FRAME (MERRITT 1803)		X	
12	531869-561	FACE PLATE WITH MEDALLION FRAME	X		
12	531869-562	FACE PLATE WITH MEDALLION FRAME		X	
13	445905-451	ARM TOP COVER COMPLETE	X	X	
14	445969-453	CONTROL PANEL (CAMEL BEIGE)	X		
15	445970-453	CONTROL PANEL (DEEP SIENA)		X	
16	445976-451	MEDALLION FRAME COMPLETE (CAMEL BEIGE)	X		
16	445976-452	MEDALLION FRAME COMPLETE (DEEP SIENA)		X	
17	446109-451	ARM TOP COVER LID COMPLETE			X
18	354710-451	CONTROL PANEL SCREW STUD	X	X	X
19	446113-458	CONTROL PANEL (MERRITT 1812) (DEEP BLUE)			X
19	446113-457	CONTROL PANEL (MERRITT 1812) (W/O MERRITT)			X
20	446115-451	MEDALLION FRAME COMPLETE (DEEP BLUE)			X
21	445573	ARM TOP COVER LID HINGE PIN (RIGHT)			X
22	446000	ARM TOP COVER LID HINGE PIN (LEFT)			X
23	445157	ARM TOP COVER LID SCREW WASHER			X
24	354592-453	ARM TOP COVER LID SCREW			X
25	53640-819	BOBBIN WINDER STOP SCREW NUT	X	X	X
26	446252	ARM TOP COVER HINGE SPRING (RIGHT)			X
27	354592-451	ARM TOP COVER HINGE SPRING (RIGHT) SCREW			X
28	446251	ARM TOP COVER LID HINGE SPRING (LEFT)			X
29	445572-453	ARM TOP COVER LID HINGE			X
30	141936-833	BOBBIN WINDER TENSION BRACKET ADJUSTING SCREW	X	X	X
31	44794	BOBBIN WINDER TENSION BRACKET ADJUSTING SCREW RETAINING RING	X	X	X
32	446104-451	ARM TOP COVER			X
33	446105-451	ARM TOP COVER COMPLETE W/O MEDALLION FRAME			X
34	354552-451	CONTROL PANEL SCREW (LEFT)	X	X	X
35	445765	CONTROL PANEL SCREW (LEFT) WASHER	X	X	X
36	531871-451	ARM TOP COVER COMPLETE WITH MEDALLION FRAME			X

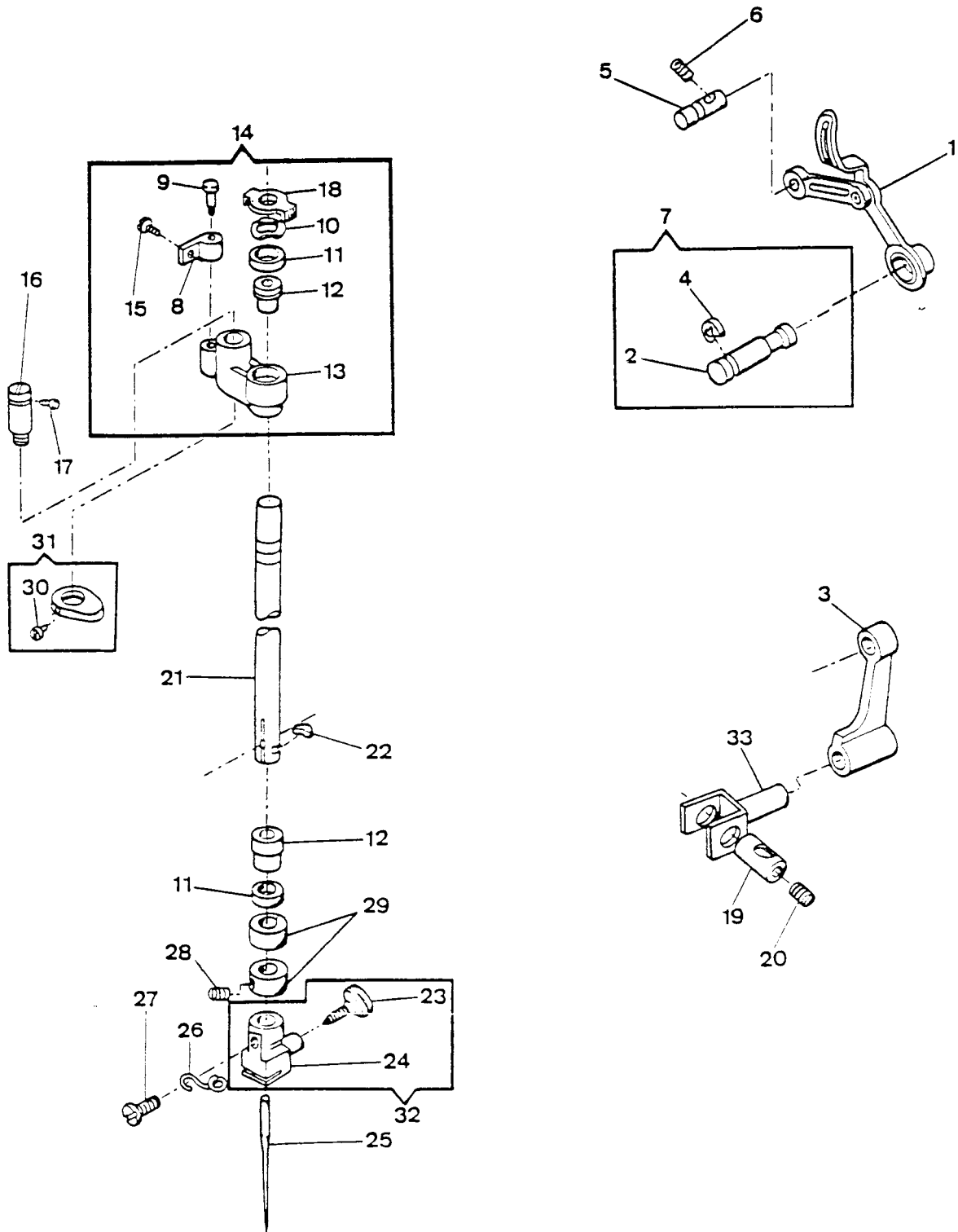
NEEDLE BAR & THREAD TAKE-UP



PART LIST
NEEDLE BAR & THREAD TAKE-UP

REF.	PART NBR	DESCRIPTION	1	1	1
			8	8	8
			0	0	1
			2	3	2
01	445672	THREAD TAKE-UP LEVER ASSEMBLY	X	X	X
02	446260	THREAD TAKE-UP STUD	X	X	X
03	446357	NEEDLE BAR CONNECTING LINK	X	X	X
04	445486	THREAD TAKE-UP STUD RETAINING RING	X	X	X
05	446169	THREAD TAKE-UP LEVER LINK HINGE STUD	X	X	X
06	141803-830	NEEDLE BAR BALL BUSHING (LOWER ADJUSTING SCREW SET SCREW)	X	X	X
07	446261	THREAD TAKE-UP STUD WITH RETAINING RING	X	X	X
08	446190	NEEDLE BAR DRIVING ARM HINGE BRACKET	X	X	X
09	37935	NEEDLE BAR DRIVING ARM HINGE BRACKET HINGE PIN	X	X	X
10	353424	NEEDLE BAR BALL BUSHING (UPPER) WAVED WASHER	X	X	X
11	507379	NEEDLE BAR BALL BUSHING (UPPER & LOWER) SOCKET (UPPER & LOWER)	X	X	X
12	446355-001	NEEDLE BAR BALL BUSHING (UPPER & LOWER)	X	X	X
13	353521	NEEDLE BAR VIBRATING BRACKET	X	X	X
14	353520	NEEDLE BAR VIBRATING BRACKET COMPLETE	X	X	X
15	141844-819	NEEDLE BAR DRIVING ARM HINGE BRACKET SCREW	X	X	X
16	445124	NEEDLE BAR VIBRATING BRACKET HINGE PIN (ECCENTRIC)	X	X	X
17	354813-451	NEEDLE BAR VIBRATING BRACKET HINGE PIN (ECCENTRIC) SET SCREW	X	X	X
18	353522	NEEDLE BAR BALL BUSHING (UPPER) RETAINING RING	X	X	X
19	37931	NEEDLE BAR CONNECTING STUD HINGE PIN	X	X	X

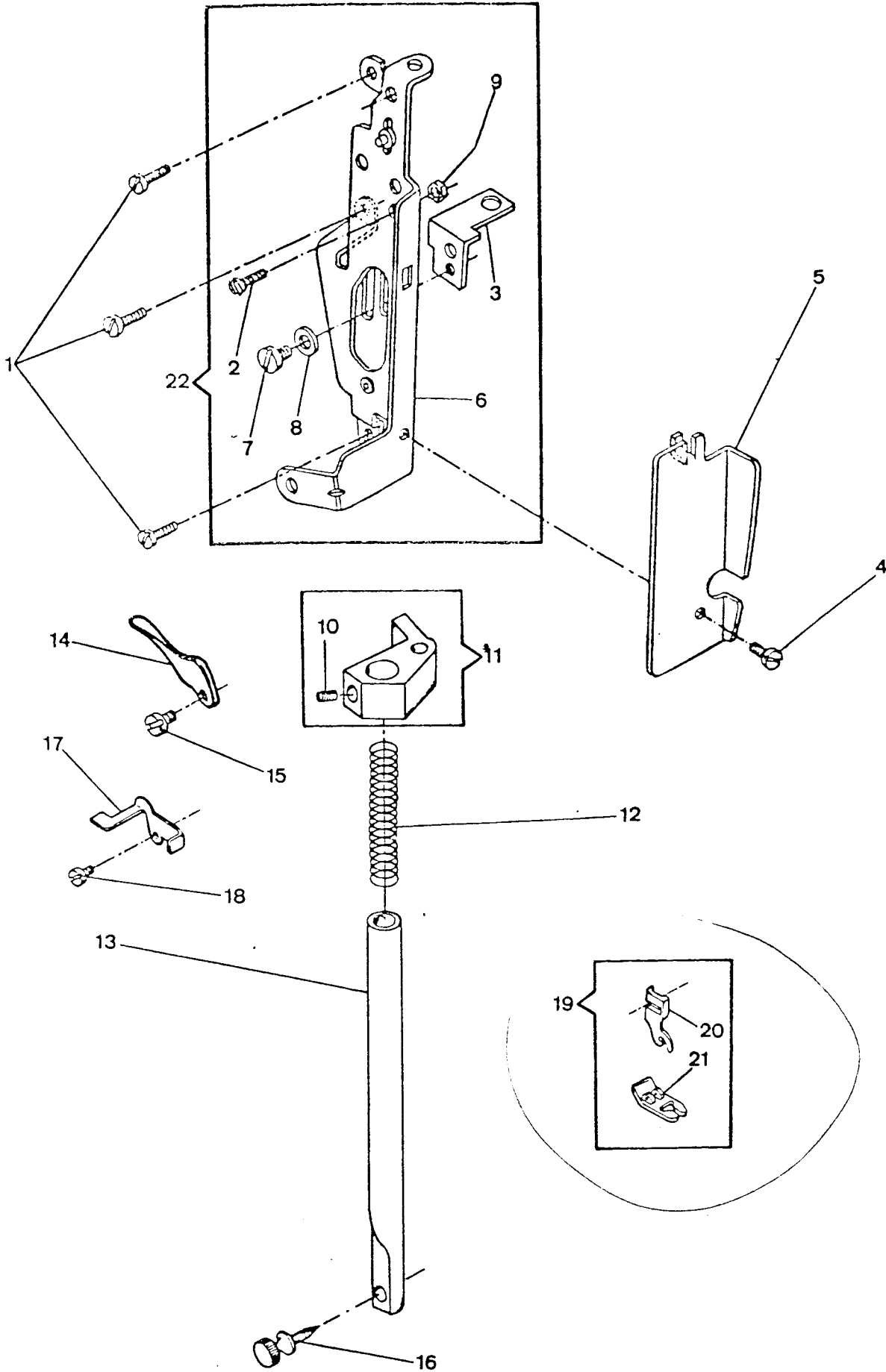
NEEDLE BAR & THREAD TAKE-UP (CONT.)



PART LIST
NEEDLE BAR & THREAD TAKE-UP (CONT.)

REF.	PART NBR	DESCRIPTION	1	1	1
			8	8	8
			0	0	1
			2	3	2
20	141916-833	NEEDLE BAR CLAMPING SCREW	X	X	X
21	445793	NEEDLE BAR	X	X	X
22	37943	NEEDLE BAR GIB	X	X	X
23	113413-451	NEEDLE THUMB SCREW	X	X	X
24	353630	NEEDLE CLAMP THREAD BODY	X	X	X
25	204514-100	NEEDLE	X	X	X
26	353629	NEEDLE CLAMP THREAD GUIDE	X	X	X
27	141808-451	NEEDLE STOP SCREW	X	X	X
28	141938-833	NEEDLE BAR BALL BUSHING (LOWER) ADJUSTING SCREW SET SCREW	X	X	X
29	446361	NEEDLE BAR BALL BUSHING (LOWER) ADJUSTING COLLAR	X	X	X X
30	354592-451	NEEDLE BAR VIBRATING BRACKET HINGE PIN (ECCENTRIC) COLLAR SCREW	X	X	X
31	445406	NEEDLE BAR VIBRATING BRACKET HINGE PIN (ECCENTRIC) COLLAR ASSEMBLY	X	X	X
32	353631	NEEDLE CLAMP BODY WITH SCREW	X	X	X
33	353549	NEEDLE BAR CONNECTING STUD	X	X	X

PRESSER BAR

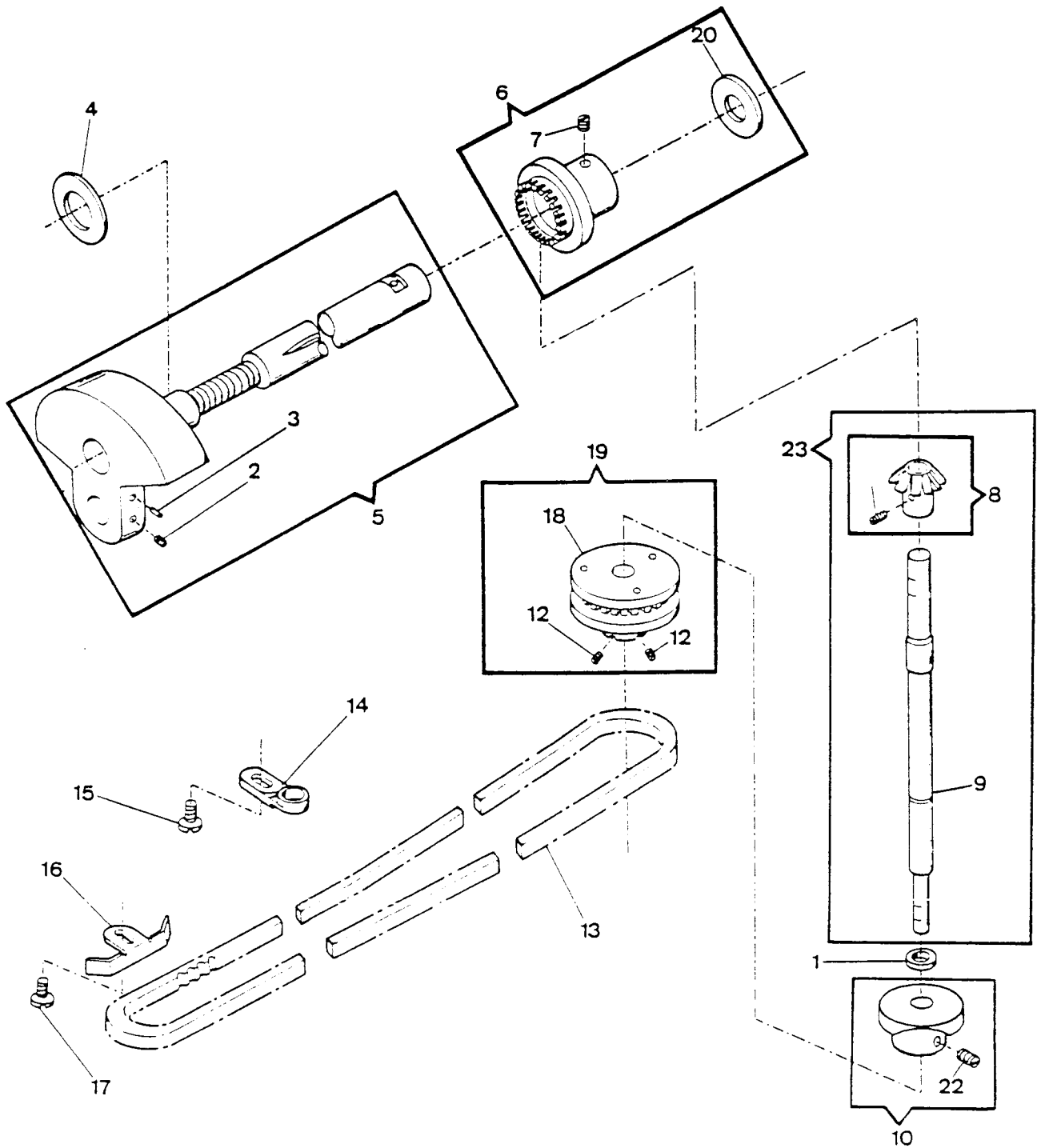


PART LIST
PRESSER BAR

1 1 1
8 8 8
0 0 1
2 3 2

REF.	PART NBR	DESCRIPTION			
01	354826-451	PRESSER BAR PRESSURE REGULATING BRACKET SCREW	X	X	X
02	141808-452	NEEDLE BAR VIBRATING BRACKET STOP SCREW	X	X	X
03	446741	PRESSER BAR SPRING ADJUSTING BRACKET	X	X	X
04	141920-452	FACE PLATE SUPPORT BRACKET SCREW	X	X	X
05	445604	FACE PLATE SUPPORT BRACKET	X	X	X
06	445594	PRESSER BAR PRESSURE REGULATING BRACKET	X	X	X
07	354552-451	PRESSER BAR SPRING ADJUSTING BRACKET SCREW	X	X	X
08	445765	PRESSER BAR SPRING ADJUSTING BRACKET SCREW WASHER	X	X	X
09	514698-451	NEEDLE BAR VIBRATING BRACKET STOP SCREW NUT	X	X	X
10	141925-833	PRESSER BAR GUIDE BRACKET SET SCREW	X	X	X
11	445291	PRESSER BAR GUIDE BRACKET WITH SCREW	X	X	X
12	444803	PRESSER BAR SPRING	X	X	X
13	446030	PRESSER BAR	X	X	X
14	44445	PRESSER BAR LIFTER	X	X	X
15	141846-451	PRESSER BAR LIFTER HINGE SCREW	X	X	X
16	354135-452	PRESSER FOOT THUMB SCREW	X	X	X
17	37985	TENSION RELEASING LEVER	X	X	X
18	354543-451	TENSION RELEASING LEVER HINGE SCREW	X	X	X
19	446372	PRESSER FOOT (SNAP-ON) COMPLETE (ZIG-ZAG SEWING)	X	X	X
20	155964	PRESSER FOOT SHANK (SNAP-ON)	X	X	X
21	446371	PRESSER FOOT PLATE COMPLETE	X	X	X
22	445596-901	FACE PLATE SUPPORT BRACKET COMPLETE	X	X	X

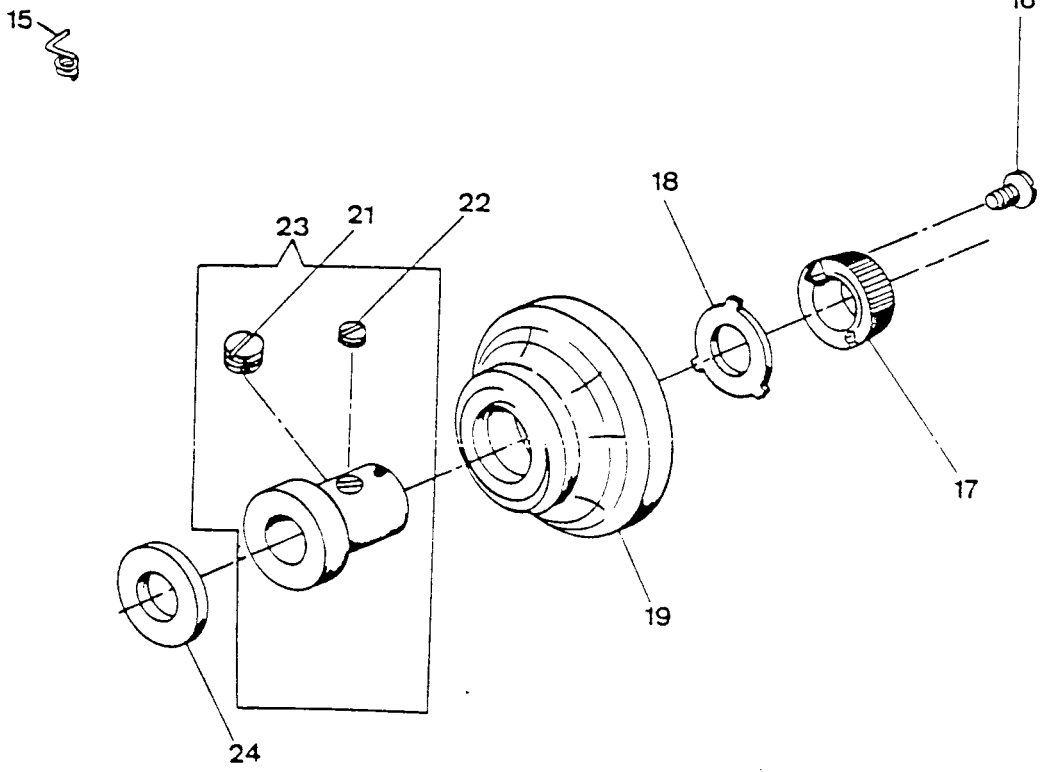
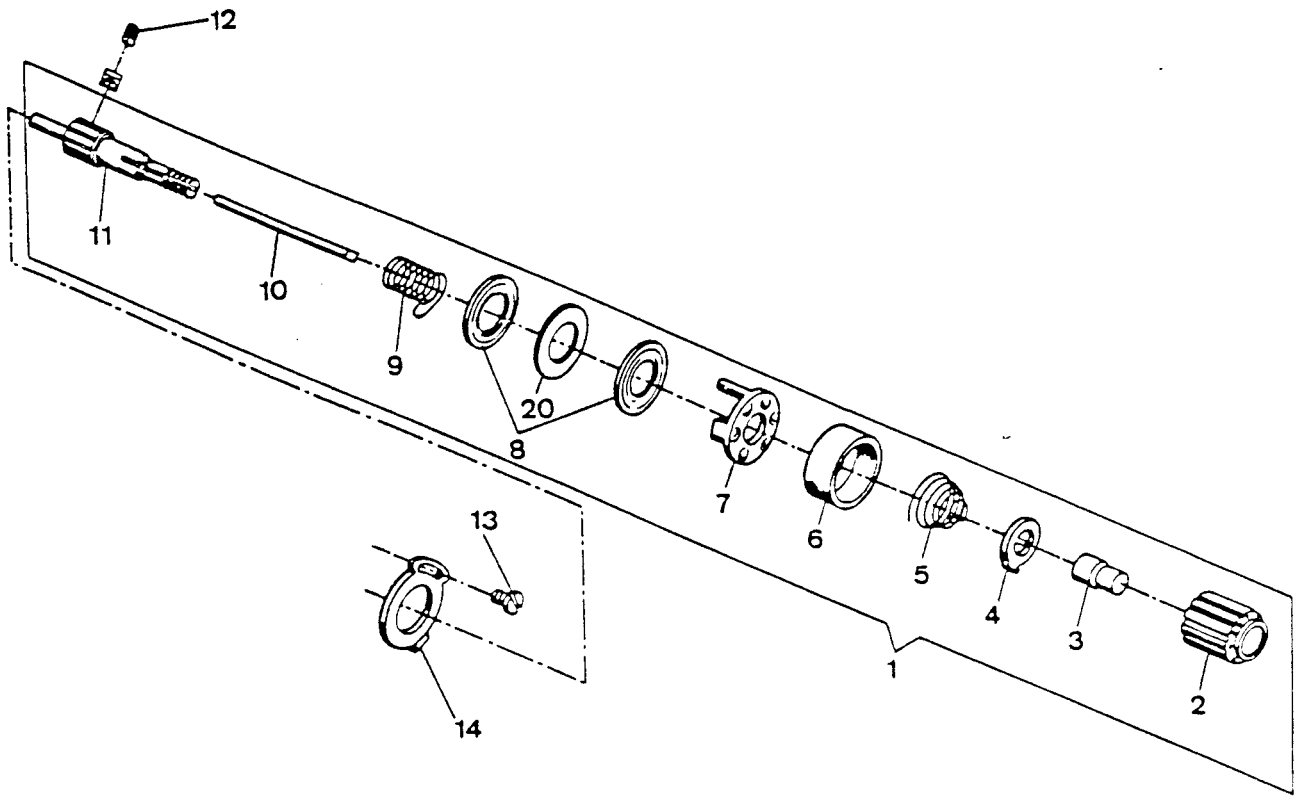
ARM SHAFT DRIVE



PART LIST
ARM SHAFT DRIVE

REF.	PART NBR	DESCRIPTION	1	1	1
			8	8	8
			0	0	1
			2	3	2
01	319826	ARM SHAFT (UPRIGHT) BELT DRIVE PULLEY WASHER	X	X	X
02	354105-833	NEEDLE BAR CRANK POSITION SET SCREW	X	X	X
03	445898	NEEDLE BAR CRANK PIN	X	X	X
04	319764	NEEDLE BAR CRANK WASHER	X	X	X
05	356419	ARM SHAFT HORIZONTAL COMPLETE	X	X	X
06	353272	ARM SHAFT (HORIZONTAL) BEVEL GEAR COMPLETE	X	X	X
07	354813-451	ARM SHAFT (HORIZONTAL) BEVEL GEAR SET SCREW	X	X	X
08	353273	ARM SHAFT (UPRIGHT) BEVEL GEAR WITH SCREW	X	X	X
09	446225	ARM SHAFT (UPRIGHT)	X	X	X
10	446288	FEED LIFTING CAM (PLASTIC) COMPLETE	X	X	X
11	354906-451	ARM SHAFT (UPRIGHT) BELT DRIVE PULLEY RETAINING COLLAR SET SCREW	X	X	X
13	446237	BELT ROTATING HOOK DRIVE	X	X	X
14	531630	ROTATING HOOK DRIVE BELT TENSION (PLASTIC)	X	X	X
15	113453-003	ROTATING HOOK DRIVE BELT TENSION SCREW	X	X	X
16	446376	ROTATING HOOK DRIVE BELT RETAINER	X	X	X
17	113455-001	BELT RETAINER (LEFT) SCREW	X	X	X
18	446230	ARM SHAFT (UPRIGHT) BELT DRIVE PULLEY (PLASTIC)	X	X	X
19	353438-001	ARM SHAFT (UPRIGHT) BELT DRIVE PULLEY ASSEMBLY COMPLETE	X	X	X
20	353413	ARM SHAFT (HORIZONTAL) BEVEL GEAR WASHER	X	X	X
21	354105-833	ARM SHAFT (UPRIGHT) BEVEL GEAR SET SCREW	X	X	X
22	544118	FEED LIFTING CAM (PLASTIC) SET SCREW	X	X	X
23	531859	ARM SHAFT (UPRIGHT) COMPLETE	X	X	X

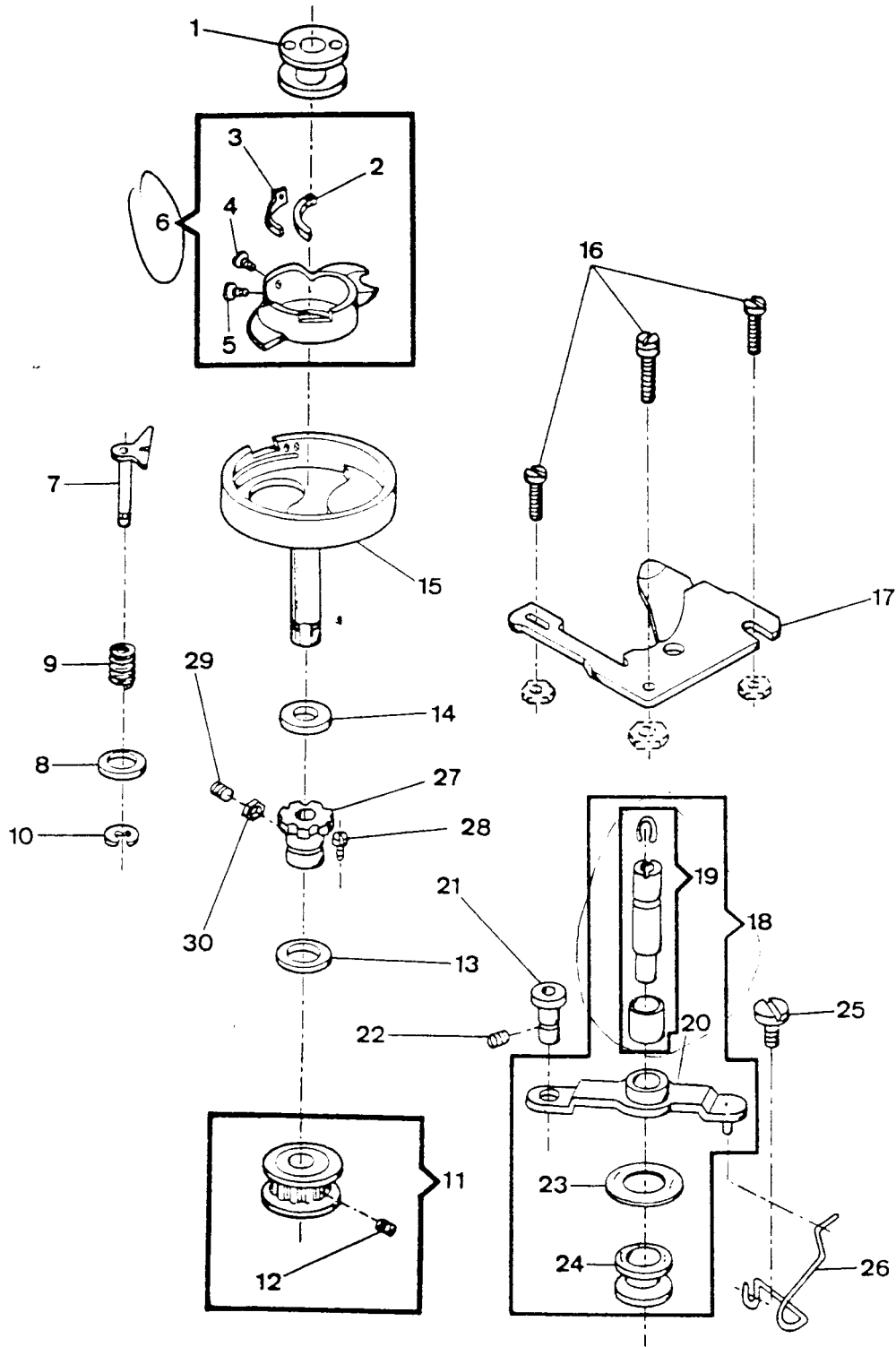
TENSION ASSEMBLY & HAND WHEEL



PART LIST
TENSION ASSEMBLY & HAND WHEEL

REF.	PART NBR	DESCRIPTION	1	1	1
			8	8	8
			0	0	1
			2	3	2
01,	353583-453	TENSION COMPLETE	X	X	X
02	445054-032	TENSION INDICATOR (HOT STAMPED)	X	X	X
03	446126	TENSION INDICATOR ADAPTOR	X	X	X
04	37984	TENSION INDICATOR STOP WASHER	X	X	X
05	125314	TENSION SPRING	X	X	X
06	44879-480	TENSION SPRING CUP	X	X	X
07	45343	THREAD TAKE-UP SPRING THREAD GUIDE	X	X	X
08	2102-001	TENSION DISC	X	X	X
09	66774-002	THREAD TAKE-UP SPRING	X	X	X
10	353578	TENSION RELEASING PIN	X	X	X
11	44454	TENSION STUD	X	X	X
12	141803-830	TENSION STUD SET SCREW	X	X	X
13	141808-451	TENSION THREAD GUIDE SCREW	X	X	X
14	179936-452	TENSION THREAD GUIDE	X	X	X
15	445784	THREAD GUIDE (LOWER)	X	X	X
16	141914-453	CLAMP STOP MOTION CLAMP STOP SCREW	X	X	X
17	444468-454	CLAMP STOP MOTION CLAMP	X	X	X
18	44464	HAND WHEEL CLAMPING WASHER	X	X	X
19	445489	HAND WHEEL (CAST IRON)	X	X	X
20	44633	TENSION DISC (MIDDLE)	X	X	X
21	141916-833	CLAMP STOP MOTION FLANGED BUSHING SET SCREW	X	X	X
22	141915-833	CLAMP STOP MOTION FLANGED BUSHING POSITIONING SCREW	X	X	X
23	44679	CLAMP STOP MOTION FLANGED BUSHING COMPLETE	X	X	X
24	319764	CLAMP STOP MOTION FLANGED BUSHING WADHER (PLASTIC)	X	X	X

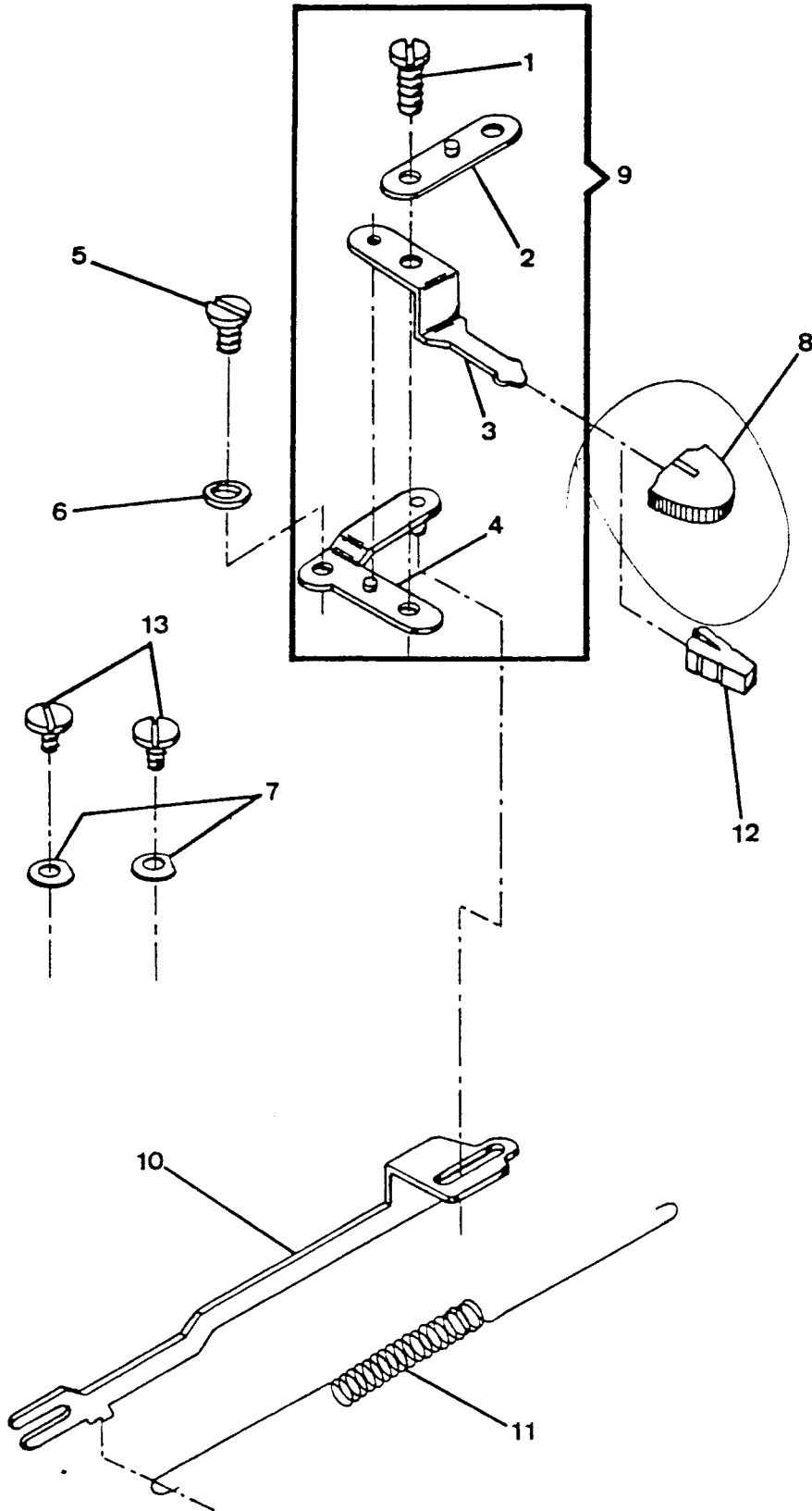
HOOK SYSTEM & BOBBIN WINDER



PART LIST
HOOK SYSTEM & BOBBIN WINDER

REF.	PART NBR	DESCRIPTION			
			1	1	1
			8	8	8
			0	0	1
			2	3	2
01	172336	BOBBIN (PLASTIC)	X	X	X
02	310884-451	ROTATING HOOK BOBBIN CASE TENSION SPRING SEGMENT	X	X	X
03	314715	ROTATING HOOK BOBBIN CASE TENSION SPRING	X	X	X
04	354183-452	ROTATING HOOK BOBBIN CASE TENSION REGULATING SCREW	X	X	X
05	139975-452	ROTATING HOOK BOBBIN CASE TENSION SPRING SEGMENT SCREW	X	X	X
06	421325	ROTATING HOOK BOBBIN CASE COMPLETE	X	X	X
07	353511	ROTATING HOOK BOBBIN CASE RETAINING PLATE ASSEMBLY	X	X	X
08	445808	ROTATING HOOK BOBBIN CASE RETAINING PLATE STUD WASHER	X	X	X
09	44892	ROTATING HOOK BOBBIN CASE RETAINING PLATE STUD SPRING	X	X	X
10	353509	ROTATING HOOK BOBBIN CASE RETAINING PLATE RETAINING RING	X	X	X
11	446235	ROTATING HOOK BELT DRIVE PULLEY WITH SCREW	X	X	X
12	141803-830	ROTATING HOOK BELT DRIVE PULLEY SET SCREW	X	X	X
13	382861-906	ROTATING HOOK BELT DRIVE PULLEY WASHER	X	X	X
14	353453	ROTATING HOOK WEAR WASHER	X	X	X
15	353366	ROTATING HOOK COMPLETE	X	X	X
16	113430-451	ROTATING HOOK BOBBIN CASE POSITION PLATE SCREW	X	X	X
17	44873-001	ROTATING HOOK BOBBIN CASE POSITION PLATE	X	X	X
18	353423- 001	BOBBIN WINDER COMPLETE	X	X	
18	531626-001	BOBBIN WINDER COMPLETE			X
19	445217	BOBBIN WINDER SPINDLE SUB-ASSEMBLY	X	X	
19	446257	BOBBIN WINDER SPINDLE SUB-ASSEMBLY			X
20	353422	BOBBIN WINDER FRAME WITH PIN	X	X	X
21	445785	BOBBIN WINDER HINGE STUD	X	X	X
22	141803-803	BOBBIN WINDER HINGE STUD SET SCREW	X	X	X
23	15287-701	BOBBIN WINDER FRICTION RING	X	X	X
24	44440-001	BOBBIN WINDER PULLEY	X	X	X
25	354552-451	BOBBIN WINDER SPRING SCREW	X	X	X
26	445613	BOBBIN WINDER SPRING	X	X	X
27	353410	ROTATING HOOK FLANGED BUSHING (ECCENTRIC)	X	X	X
28	544117	ROTATING HOOK BUSHING ADJUSTING SCREW	X	X	X
29	141803-830	ROTATING HOOK BUSHING CLAMP SCREW	X	X	X
30	353367-451	ROTATING HOOK BUSHING CLAMP SCREW NUT	X	X	X

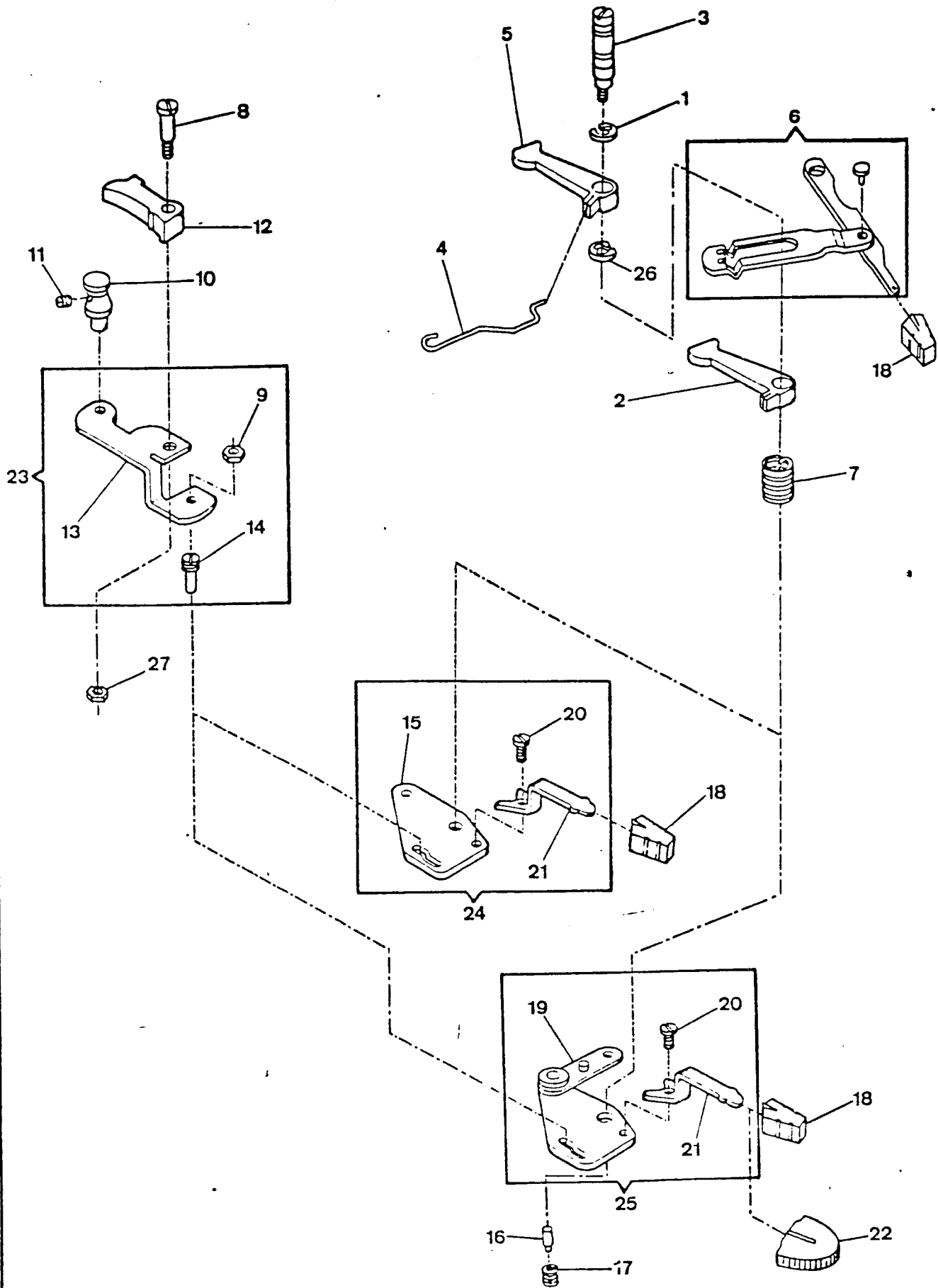
BIGHT AMPLITUDE



PART LIST
BIGHT AMPLITUDE

REF.	PART NBR	DESCRIPTION	1	1	1
			8	8	8
			0	0	1
			2	3	2
01	141913-451	BIGHT AMPLITUDE CONTROL LEVER SCREW	X		
01	139866-451	BIGHT AMPLITUDE CONTROL LEVER SCREW		X	X
02	44556	BUTTONHOLER BIGHT CONTROL CAM FOLLOWER LEVER LINK (LEFT)		X	X
03	444893	BIGHT AMPLITUDE CONTROL LEVER	X	X	X
04	37246	BIGHT AMPLITUDE CONTROL LEVER LINK	X	X	X
05	353543-451	BIGHT AMPLITUDE CONTROL LEVER LINK HINGE SCREW	X	X	X
06	49204	BIGHT AMPLITUDE CONTROL LEVER LINK HINGE SCREW FRICTION WASHER	X	X	X
07	446904	BIGHT AMPLITUDE CONTROL LEVER LINK STOP	X	X	X
08	446091-901	BIGHT AMPLITUDE CONTROL LEVER KNOB (HOT STAMPED)			X
09	44711	BIGHT AMPLITUDE CONTROL LEVER SUB-ASSEMBLY	X		
09	44652	BIGHT AMPLITUDE CONTROL LEVER SUB-ASSEMBLY		X	X
10	37933-001	NEEDLE BAR DRIVING ARM	X	X	X
11	37942	NEEDLE BAR DRIVING ARM TENSION SPRING	X	X	X
12	444896-456	BIGHT AMPLITUDE CONTROL LEVER KNOB (PLASTIC)	X	X	
13	141913-451	BIGHT AMPLITUDE CONTROL LEVER LINK STOP SCREW	X	X	X

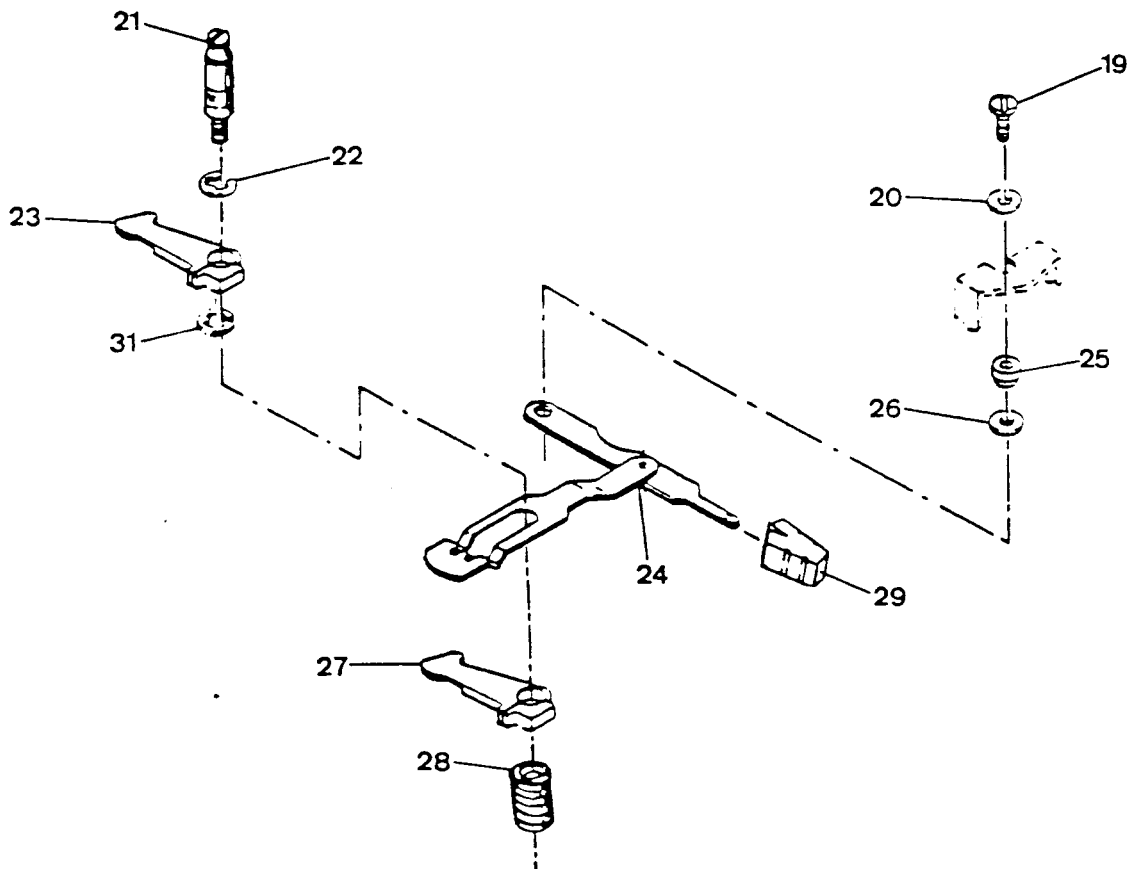
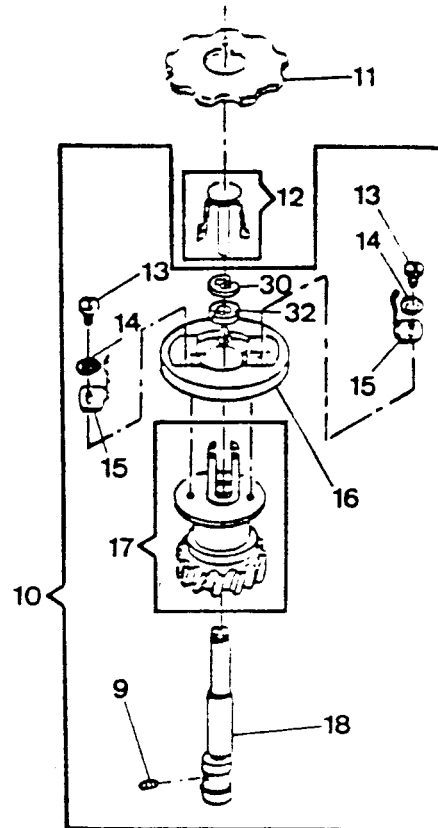
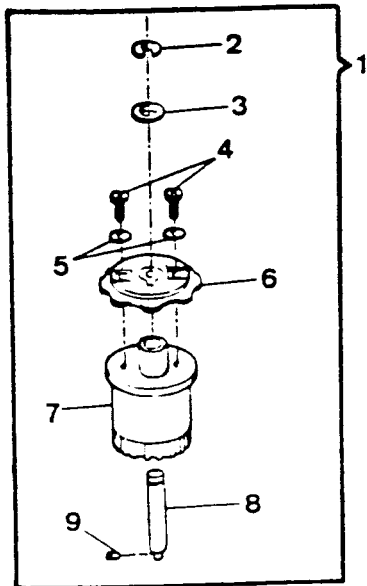
NEEDLE POSITION



PART LIST
NEEDLE POSITION

REF.	PART NBR	DESCRIPTION	1	1	1
			8	8	8
			0	0	1
			2	3	2
01	44371	DISC FOLLOWER STUD RETAINING RING (UPPER)	X	X	
02	445646	DISC FOLLOWER (LOWER)		X	
03	446023	DISC FOLLOWER STUD	X	X	X
04	44589	DISC FOLLOWER SPRING			X
05	445646	DISC FOLLOWER STUD	X	X	
05	353574	DISC FOLLOWER (UPPER) (BLIND HEM)		X	X
06	44885	DISC SELECTOR LEVER ASSEMBLY		X	X
07	44886	DISC FOLLOWER SPRING		X	
08	355240-451	NEEDLE BAR DRIVING ARM SLIDE SCREW	X	X	X
09	356393-451	NEEDLE POSITION SELECTOR LEVER BRACKET FOLLOWER SCREW STUD NUT	X	X	X
10	37941	NEEDLE BAR DRIVING ARM SLIDE BRACKET HINGE STUD	X	X	
10	445583	NEEDLE BAR DRIVING ARM SLIDE BRACKET HINGE STUD			X
11	141803-830	NEEDLE BAR DRIVING ARM SLIDE BRACKET HINGE STUD SCREW	X	X	X
12	445841	NEEDLE BAR DRIVING ARM SLIDE	X	X	X
13	37939	NEEDLE BAR DRIVING ARM SLIDE BRACKET COMPLETE	X	X	X
14	445347	NEEDLE POSITION SELECTOR LEVER BRACKET FOLLOWER SCREW STUD	X	X	X
15	353547	NEEDLE POSITION SELECTOR LEVER BRACKET	X	X	X
16	319690	NEEDLE POSITION SELECTOR BRACKET POSITIONING PIN	X	X	X
17	444800	NEEDLE POSITION SELECTOR BRACKET POSITIONING PIN SPRING	X	X	X
18	444896-456	NEEDLE POSITION SELECTOR LEVER KNOB (PLASTIC)	X	X	
19	353539	NEEDLE POSITION SELECTOR LEVER BRACKET ASSEMBLY		X	X
20	141913-451	NEEDLE POSITION SELECTOR LEVER SCREW	X	X	X
21	444895	NEEDLE POSITION SELECTOR LEVER	X	X	X
22	446091-901	NEEDLE POSITION SELECTOR LEVER KNOB (PLASTIC)			X
23	445348	NEEDLE BAR DRIVING ARM SLIDE BRACKET ASSEMBLY	X	X	X
24	356229	NEEDLE POSITION SELECTOR LEVER BRACKET COMPLETE	X		
25	353541	NEEDLE POSITION SELECTOR LEVER BRACKET COMPLETE		X	X
26	44371	DISC FOLLOWER STUD RETAINING RING (LOWER)	X		X
27	618638-005	NEEDLE BAR DRIVING ARM SLIDE SCREW LOCK NUT	X	X	X

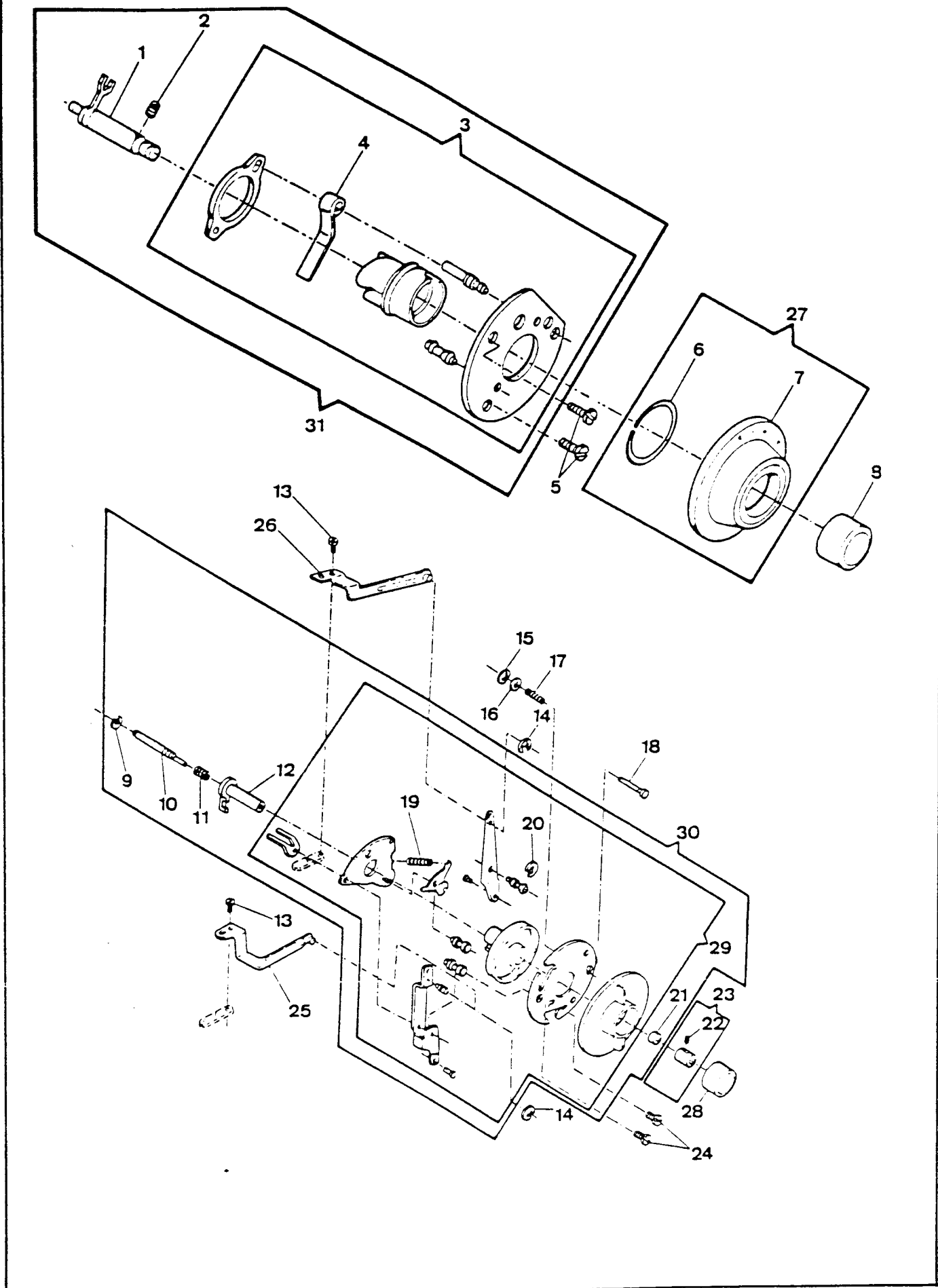
CAM STACK & PATTERN SELECTOR



PART LIST
CAM STACK & PATTERN SELECTOR

REF.	PART NBR	DESCRIPTION	1	1	1
			8	8	8
			0	0	1
			2	3	2
01	179956-900	DISC DRIVING GEAR COMPLETE	X		
01	353538-900	DISC DRIVING GEAR COMPLETE		X	
02	444921	DISC DRIVING GEAR RETAINING RING	X	X	
03	444923-451	DISC DRIVING GEAR SHAFT FRICTION WASHER	X	X	
04	113375-451	DISC STACK POSITIONING SCREW	X	X	
05	179957-451	DISC STACK POSITIONING SCREW WASHER	X	X	
06	445762	DISC STACK (PLASTIC)	X		
06	444924	DISC STACK (PLASTIC)		X	
07	179958	DISC DRIVING GEAR	X	X	
08	444922	DISC DRIVING GEAR SHAFT	X	X	
09	141803-830	DISC DRIVING GEAR SHAFT SET SCREW	X	X	X
10	444915-901	DISC DRIVING GEAR COMPLETE			X
11	276301	DISC NBR 1 (FOR ZIG-ZAG STITCH)			X
12	444906	DISC RELEASING STUD COMPLETE			X
13	141920-452	DISC POSITIONING ADJUSTING SPACER SCREW			X
14	446138	DISC POSITIONING ADJUSTING SPACER SCREW WASHER			X
15	444908	DISC RETAINING SPRING			X
16	446176	DISC POSITIONING ADJUSTING SPACER			X
17	444911	DISC DRIVING GEAR ASSEMBLY			X
18	444899	DISC DRIVING GEAR SHAFT			X
19	113370-451	DISC SELECTOR HINGE SCREW		X	
19	354552-451	LIGHT LEAD SHIELD SCREW	X		X
20	445765	DISC SELECTOR CONTROL LEVER LINK HINGE SCREW			
		FRICTION WASHER		X	
21	446023	DISC FOLLOWER STUD		X	
22	44371	DISC FOLLOWER RETAINING RING (UPPER)	X	X	X
23	353574	DISC FOLLOWER (UPPER)	X		
24	44885	DISC SELECTOR LEVER ASSEMBLY	X		
25	445064	DISC SELECTOR LEVER HINGE BUSHING	X		
26	49204	DISC SELECTOR LEVER HINGE BUSHING FRICTION WASHER	X		
27	445646	DISC FOLLOWER (LOWER)	X		
28	44886	DISC FOLLOWER SPRING	X		
29	444896-456	NEEDLE POSITION SELECTOR LEVER KNOB (PLASTIC)	X		
30	603908-001	DISC DRIVING GEAR RETAINING RING			X
31	44371	DISC FOLLOWER RETAINING RING (LOWER)	X	X	X
32	444903-453	DISC RELEASING BRACKET RETAINER			X

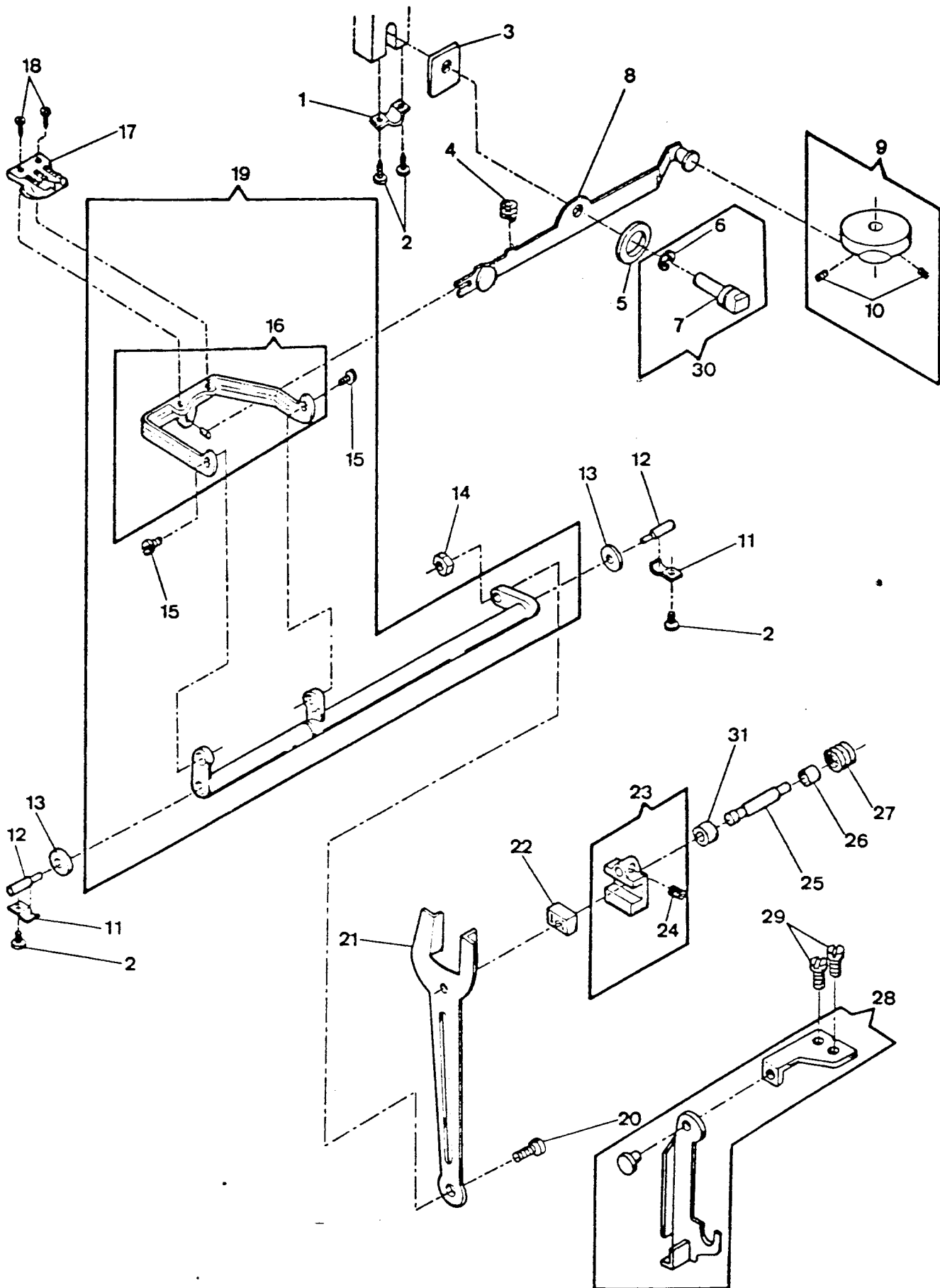
BUTTONHOLER & FEED REGULATOR



PART LIST
BUTTONHOLER & FEED REGULATOR

REF.	PART NBR	DESCRIPTION	1	1	1
			8	8	8
			0	0	1
			2	3	2
01	356397	FEED REGULATOR CAM FOLLOWER	X		
02	354975-451	FEED REGULATOR CAM FOLLOWER POSITIONING SCREW	X		
03	44892	FEED REGULATOR CAM FOLLOWER POSITIONING SPRING	X		
04	618638-005	FEED REGULATOR CAM FOLLOWER POSITIONING SPRING NUT	X		
05	139868-819	FEED REGULATOR MOUNTING PLATE SCREW	X		
06	445461	FEED REGULATOR CONTROL DIAL RETAINING RING	X		
07	446427-452	FEED REGULATOR CONTROL DIAL	X		
08	179904-452	FEED REGULATOR POSITIONING PIN KNOB	X		
09	618638-005 ⁴⁵⁷	FEED REGULATOR POSITIONING PIN FRICTION CARRIER INSERT NUT		X	X
10	356650	FEED REGULATOR POSITIONING PIN	X	X	
11	44892	FEED REGULATOR POSITIONING PIN FRICTION SPRING	X	X	
12	356652	FEED REGULATOR POSITIONING PIN BRACKET	X	X	
13	141913-451	BUTTONHOLER NEEDLE POSITION CAM FOLLOWER LEVER LINK (LEFT & RIGHT) SCREW	X	X	
14	445486	BUTTONHOLER NEEDLE POSITION CAM FOLLOWER LEVER LINK (RIGHT) RETAINING RING	X	X	
15	408030	BUTTONHOLER & FEED REGULATOR MECHANISM MOUNTING PLATE STUD RETAINING RING	X	X	
16	549426-451	BUTTONHOLER & FEED REGULATOR MECHANISM MOUNTING PLATE STUD SPRING WASHER	X	X	
17	179949	BUTTONHOLER & FEED REGULATOR MECHANISM MOUNTING PLATE STUD SPRING	X	X	
18	356236	BUTTONHOLER & FEED REGULATOR MECHANISM MOUNTING PLATE STUD	X	X	
19	353495	BUTTONHOLER & FEED REGULATOR CONTROL DIAL PAWL SPRING	X	X	
20	353215	BUTTONHOLER NEEDLE POSITION CAM FOLLOWER LEVER RETAINING RING	X	X	
21	356802-451	BUTTONHOLER & FEED REGULATOR CAM ASSEMBLY	X	X	
22	356801-451	BUTTONHOLER & FEED REGULATOR CAM COMPLETE	X	X	
23	353478	FEED REGULATOR CAM COMPLETE	X		
24	354858-451	BUTTONHOLER & FEED REGULATOR MECHANISM MOUNTING PLATE SCREW	X	X	
25	353529	BUTTONHOLER BIGHT CONTROL CAM FOLLOWER LEVER LINK (RIGHT)	X	X	
26	353543	BUTTONHOLER NEEDLE POSITION CAM FOLLOWER LEVER LINK (RIGHT)	X	X	
27	446428-452	FEED REGULATOR CONTROL DIAL COMPLETE	X		
28	356654-452	FEED REGULATOR POSITIONING PIN KNOB	X	X	
29	356830-001	FEED REGULATOR POSITIONING PIN WASHER	X	X	

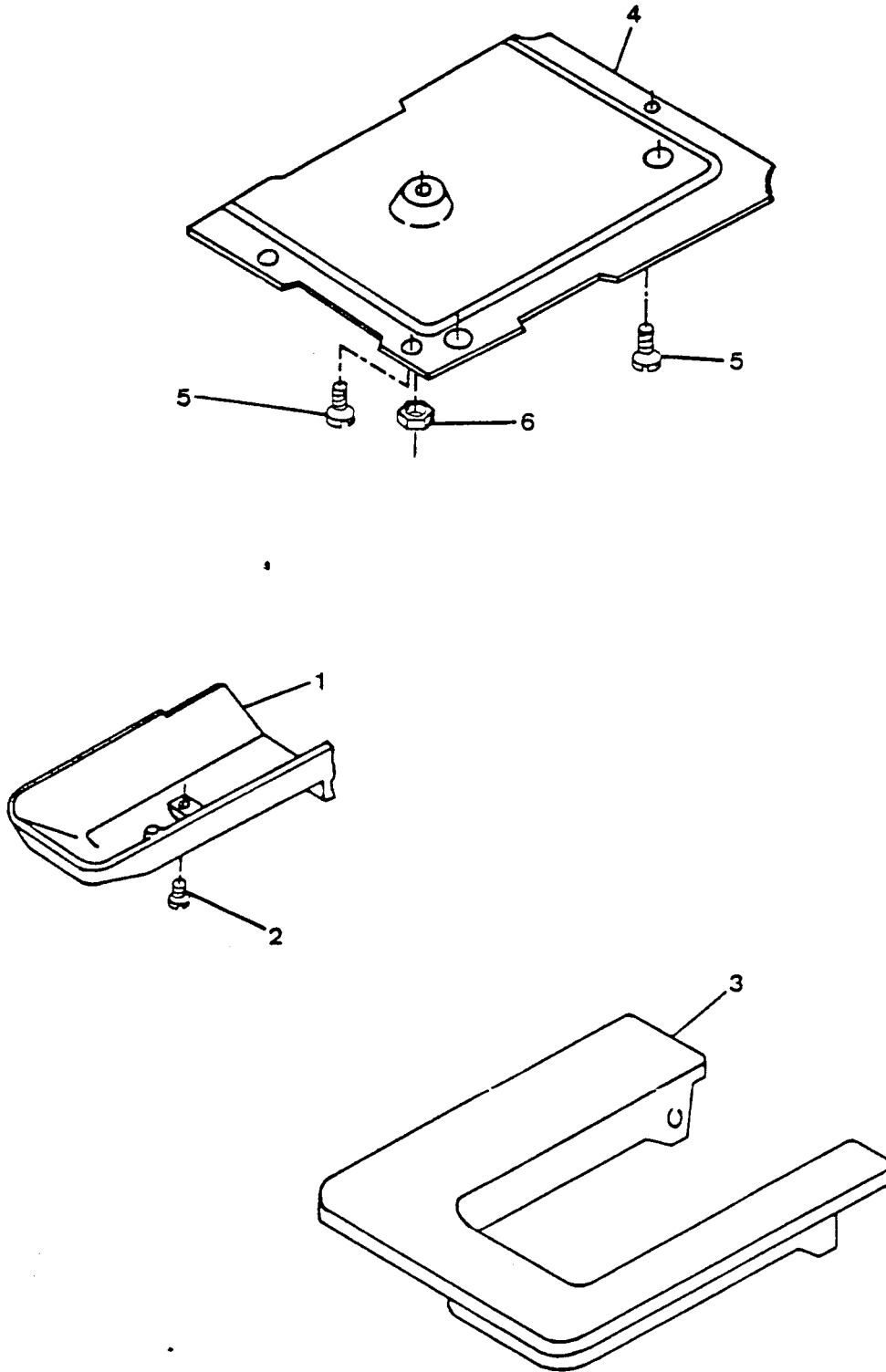
FEED SYSTEM



PART LIST
FEED SYSTEM

REF.	PART NBR	DESCRIPTION	1	1	1
			8	8	8
			0	0	1
			2	3	2
01	446485	FEED LIFTING LEVER HINGE STUD (ECCENTRIC) CLAMP	X	X	X
02	113455-001	FEED LIFTING LEVER HINGE STUD (ECCENTRIC) CLAMP SCREW	X	X	X
03	179955	FEED LIFTING LEVER HINGE STUD (ECCENTRIC) SPACER	X	X	X
04	446249	FEED LIFTING LEVER SPRING	X	X	X
05	353427	FEED LIFTING LEVER HINGE STUD (ECCENTRIC) WASHER	X	X	X
06	353428	FEED LIFTING LEVER HINGE STUD (ECCENTRIC) RETAINING RING	X	X	X
07	353448	FEED LIFTING LEVER HINGE STUD (ECCENTRIC)	X	X	X
08	356222	FEED LIFTING LEVER ASSEMBLY	X	X	X
09	356420	FEED LIFTING CAM	X	X	X
10	544118	FEED LIFTING CAM SCREW	X	X	X
11	446484	FEED ROCK SHAFT CENTER CLAMP (LEFT & RIGHT)	X	X	X
12	446487-001	FEED ROCK SHAFT CENTER	X	X	X
13	353397	FEED ROCK SHAFT CENTER (LEFT & RIGHT) NOISE DAMPENING WASHER	X	X	X
14	53648-451	FEED FORKED CONNECTING SCREW STUD NUT	X	X	X
15	354939-451	FEED BAR HINGE SCREW	X	X	X
16	446205	FEED BAR ASSEMBLY	X	X	X
17	179891	FEED DOG	X	X	X
18	141808-451	FEED DOG SCREW	X	X	X
19	446216	FEED ROCK SHAFT COMPLETE	X	X	X
20	531623-451	FEED FORKED CONNECTING HINGE SCREW (ECCENTRIC)	X	X	X
21	356417	FEED FORKED CONNECTING	X	X	X
22	356225	FEED FORKED CONNECTING SLIDE BLOCK	X	X	X
23	356413	FEED REGULATOR ASSEMBLY	X	X	X
24	141925-833	FEED REGULATOR SET SCREW	X	X	X
25	445766	FEED REGULATOR HINGE STUD	X	X	X
26	445768	FEED REGULATOR RETURN SPRING BUSHING (PLASTIC)	X	X	X
27	445860	FEED REGULATOR RETURN SPRING	X	X	X
28	445148	FEED REGULATOR CONTROL ARM COMPLETE	X	X	X
29	354552-451	FEED REGULATOR CONTROL ARM SET SCREW	X	X	X
30	353479	FEED LIFTING LEVER HINGE STUD (ECCENTRIC) WITH RETAINING RING	X	X	X
31	445767	FEED REGULATOR SPACER BUSHING	X	X	X

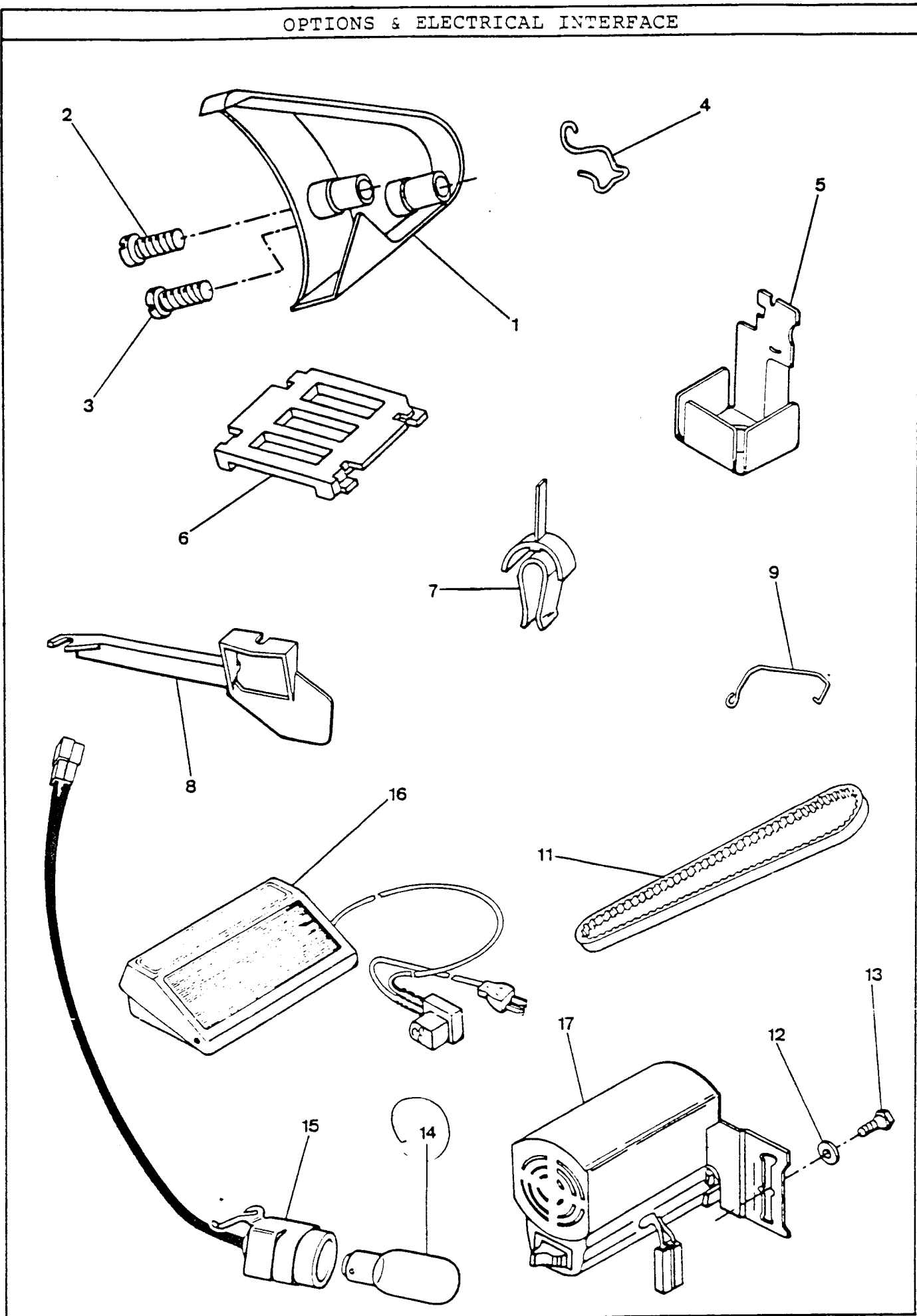
BOTTON COVERS



PART LIST
 BOTTOM COVERS

REF.	PART NBR	DESCRIPTION	1	1	1
			8	8	8
			0	0	1
			2	3	2
01	446493-452	BED (TUBULAR) BOTTOM COVER (PLASTIC)	X	X	X
02	354895-453	BED (TUBULAR) BOTTOM COVER FASTENING SCREW	X	X	X
03	446455-452	BED EXTENSION PLATE (PLASTIC)	X	X	X
04	353587-451	BED (BOTTOM) COVER (PLASTIC)	X	X	X
05	113455-001	BED (BOTTOM) COVER FASTENING SCREW	X	X	X
06	514608	BED (BOTTOM) COVER FASTENING NUT	X	X	X

OPTIONS & ELECTRICAL INTERFACE



PART LIST
 OPTIONS & ELECTRICAL INTERFACE

REF.	PART NBR	DESCRIPTION	1	1	1
			8	8	8
			0	0	1
			2	3	2
01	445736-452	MOTOR BELT COVER (PLASTIC)	X	X	X
02	354805-452	MOTOR BELT COVER SCREW (UPPER)	X	X	X
03	354792-452	MOTOR BELT COVER SCREW (LOWER)	X	X	X
04	116863	FINGER GUARD (OPTIONAL FOR EUROPE)	X	X	X
05	605087-001	HEAT SHIELD (OPTIONAL FOR EUROPE)	X	X	X
06	445832	FACE PLATE GRILLE (OPTIONAL FOR EUROPE)	X	X	X
07	605449-001	LIGHT LEAD CONDUCTOR	X	X	X
08	445605	LIGHT LEAD SHIELD	X	X	X
09	445626	LIGHT LEAD RETAINER	X	X	X
11	196388-003	MOTOR BELT	X	X	X
12	604018-002	MOTOR SET SCREW WASHER	X	X	X
13	604020-003	MOTOR SET SCREW	X	X	X
14	988076-001	LIGHT BULB 120V	X	X	X
14	988076-003	LIGHT BULB 220V	X	X	X
14	988076-005	LIGHT BULB 240V/250V	X	X	X
15	356001-004	LIGHT SOCKET	X	X	X
15	605488-014	LIGHT SOCKET (EUROPE)	X	X	X
16	979314-021	CONTROLLER CR 309 (I.G. - 110V - ROUND PIN)	X	X	X
16	979314-022	CONTROLLER CR 309 (I.G. - 220V - ROUND PIN)	X	X	X
16	979314-023	CONTROLLER CR 309 (I.G. - 110V - FLAT PIN)	X	X	X
16	979314-024	CONTROLLER CR 309 (I.G. - 220V - FLAT PIN)	X	X	X
16	979314-027	CONTROLLER CR 309 (UK)	X	X	X
16	979314-031	CONTROLLER CR 309 (USA/CANADA)	X	X	X
16	979314-026	CONTROLLER CR 309 (EUROPE)	X	X	X
17	362037-006	MOTOR COMPLETE WAC 7-8 (USA)	X	X	X
17	356037-007	MOTOR COMPLETE WAC 7-11 (EUROPE)	X	X	X
17	356037-008	MOTOR COMPLETE WAC 7-8 (I.G.)	X	X	X
17	356037-009	MOTOR COMPLETE WAC 7-11 (I.G.)	X	X	X
17	356037-010	MOTOR COMPLETE WAC 7-12 (EUROPE)	X	X	X

