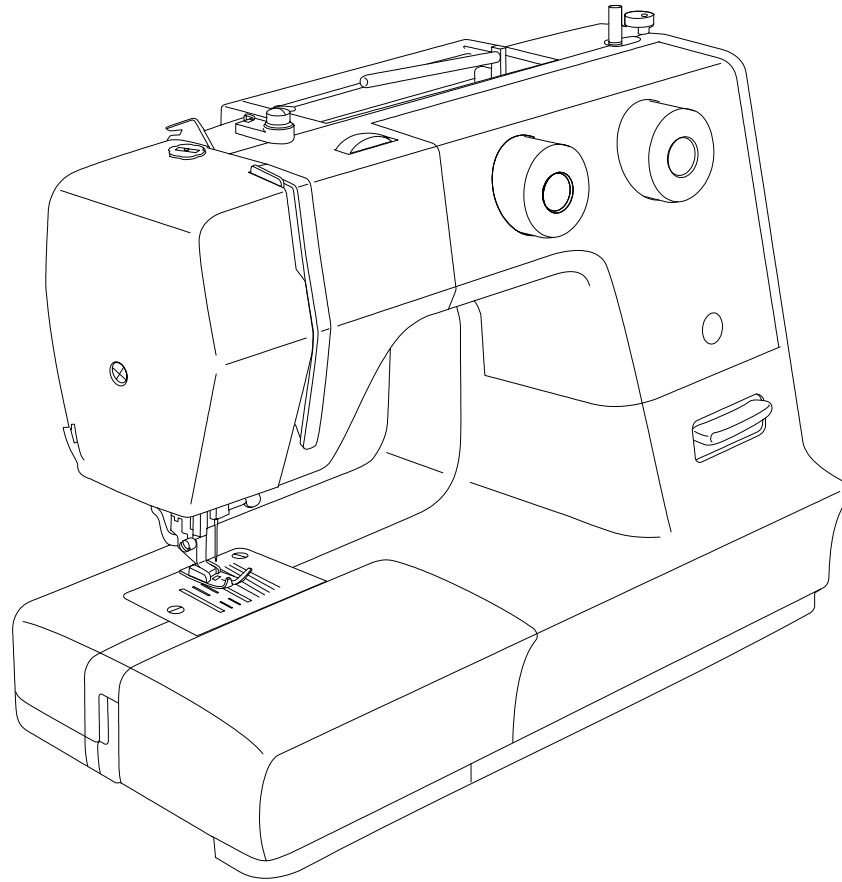


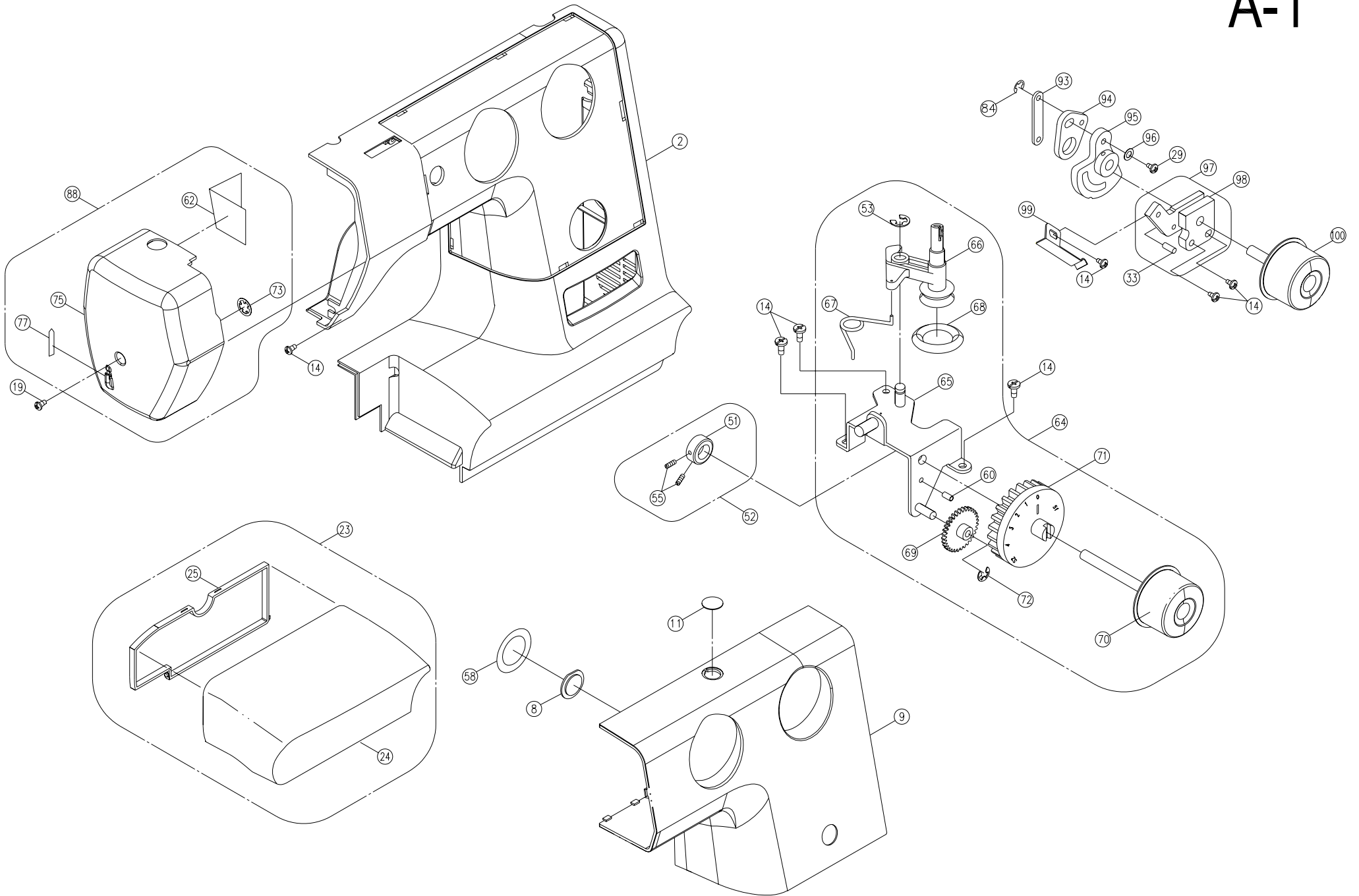
# Parts List

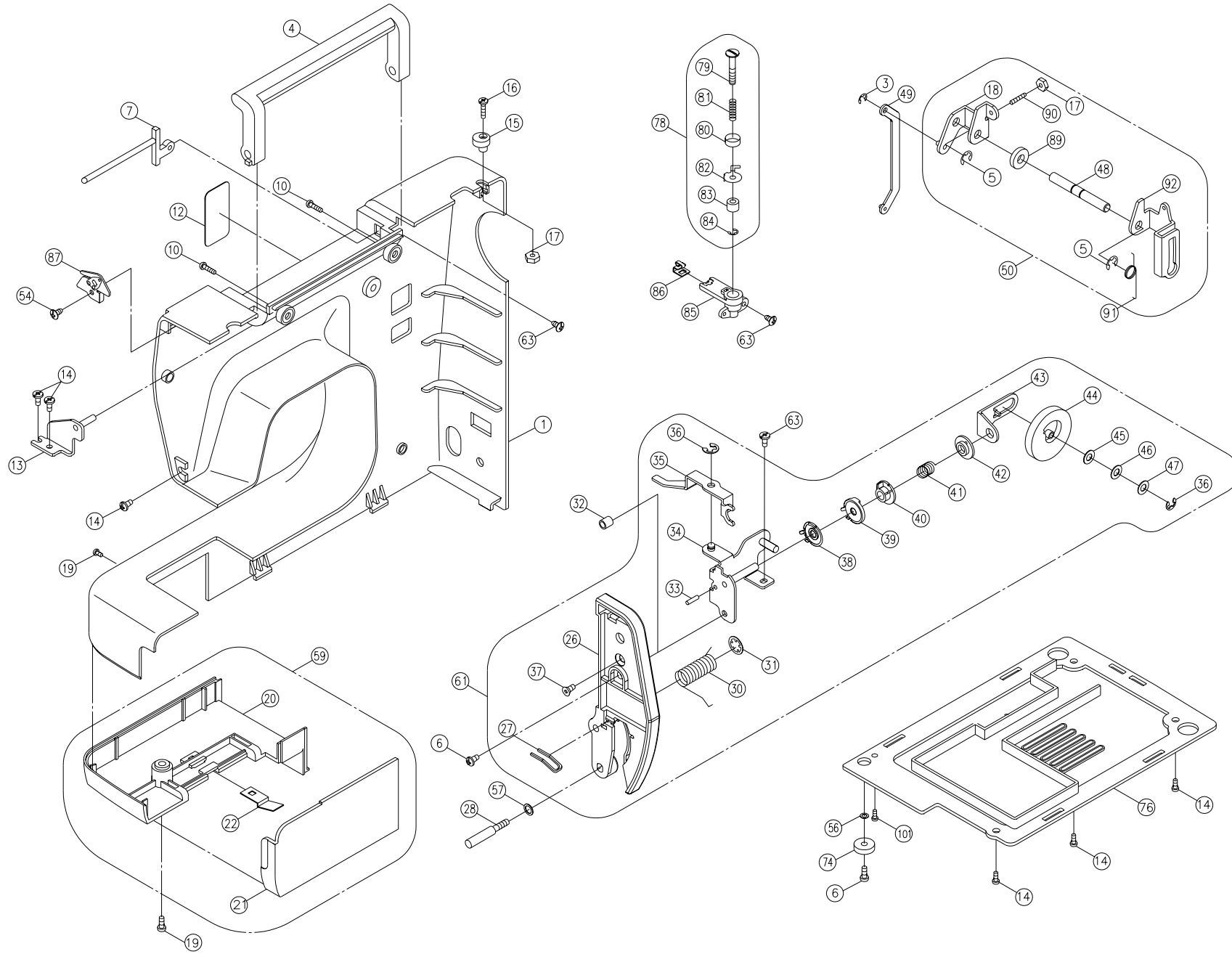


**SINGER**<sup>®</sup>

Model 1748

# A-1





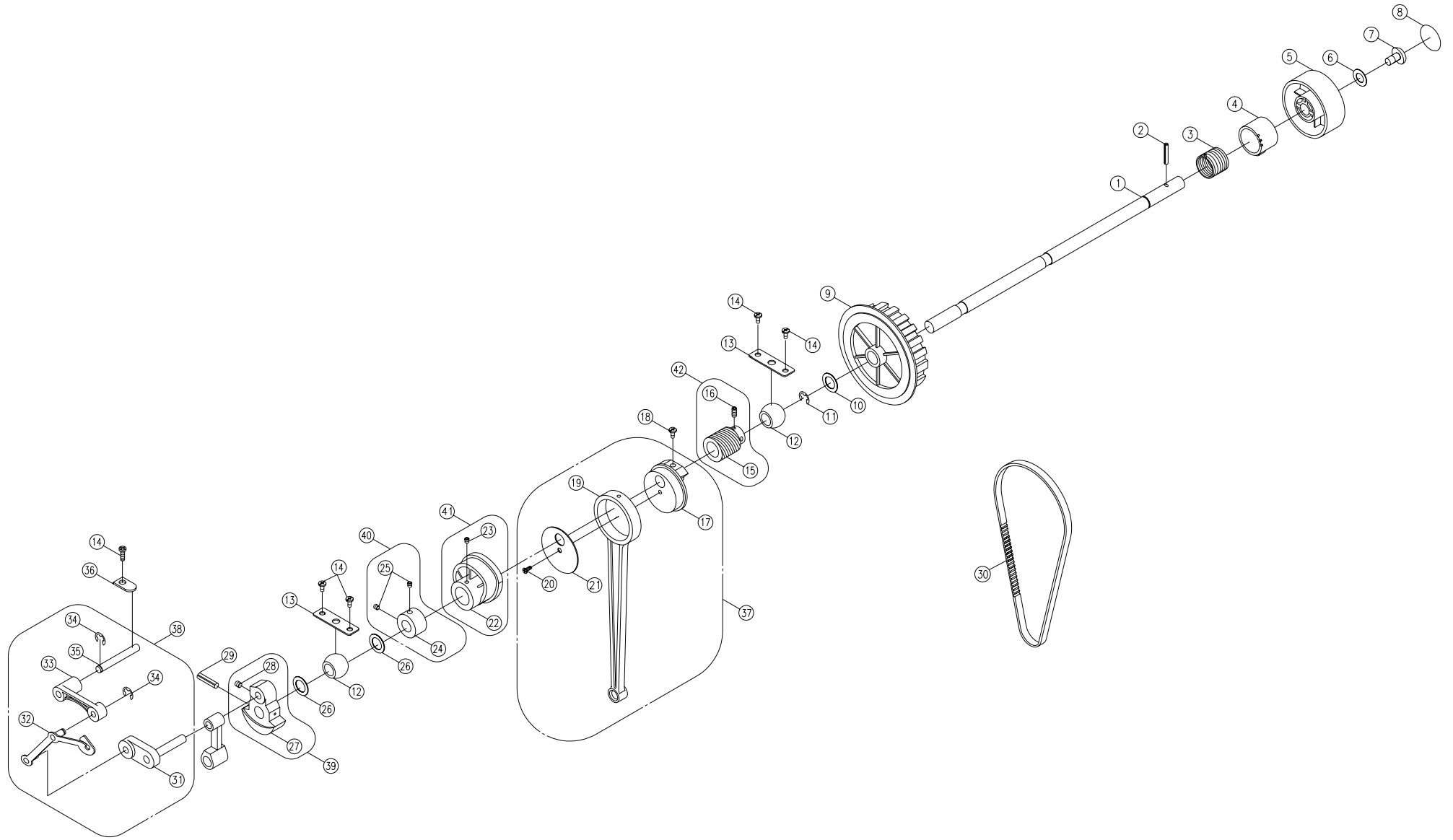
No.	Part No.	Description
1	VG7P003210	Back cover
2	VG7N013210	Front cover
3	003010043	E-ring (ETW-4)
4	V610243210	Handle
5	003010053	E-Ring (ETW-5)
6	004240146	Set screw (M4*15 B)
7	V610443210	Spool pin base
8	F30103000	Pattern display window
9	VG7N003900	Front plate
10	004240306	Set screw (M4*10 B)
11	V61503900	Plate (1)
12	V61523210	Plate (2)
13	V61253006	Handle bracket
14	004240106	Set screw (M4*8 A)
15	E1A2393000	Bobbin winder stopper
16	004106162	Set screw (9/64*40*16 B)
17	004706013	Nut (9/64*40 t=3)
18	V61013003	Zig zag regulator crank
19	004240046	Set screw (M4*10 B)
20	V610273210	Bed cover
21	V610283210	Hook cover
22	R12453002	Hook cover spring
23	V670085210	Sewing table complete
24	V670083210	Sewing table body
25	V610323210	Sewing table body cover
26	VG7S003210	Dial tension supporter plate cover
27	V61873001	Thread guide
28	004240982	Set screw (M4)
29	004240056	Set screw (M4*6 B)
30	V60303000	Thread guide spring
31	003020453	Thread guide spring washer (C-4.5)
32	H11103001	Dial tension guide spring tube
33	003043010	Hand wheel bushing pin (3*10)
34	V60243002	Dial tension supporter plate
35	V60263003	Dial tension waft plate

No.	Part No.	Description
36	003010043	E-ring (ETW-4)
37	004240176	Set screw (M4*6)
38	E1A2333001	Dial tension disc (2)
39	J30423001	Dial tension disc (1)
40	R10593000	Dial tension spring regulator
41	NB1083000	Dial tension spring
42	K50193000	Dial tension regulator
43	V60273006	Dial tension spring plate
44	R12973210	Dial tension knob
45	004300713	Washer (5.2*10*0.2)
46	004500360	Washer (WW-5)
47	004300643	Washer (5.2*10*0.5)
48	V60993003	Zig zag cam contact supporter shaft
49	V61043003	Rod
50	V60984000	Zig zag width regulating cam box
51	Z70103003	Collar
52	Z70105000	Collar complete
53	003010053	E-Ring (ETW-5)
54	004230326	Set screw (M3*12 B)
55	004240503	Set screw (M4*4 C)
56	004301133	Washer (4.2*20*1)
57	004300136	Washer (4.2*8*0.8)
58	008465000	Sticker
59	V610265210	Free arm base complete
60	003043008	Spring pin (φ3*8*0.6)
61	VG7S005210	Dial tension supporter plate complete
62	V61403000	Heat resistant plate
63	004230646	Set screw (M3*16.7 B)
64	V540064000	Bobbin winder frame complete
65	V640105006	Bobbin winder frame
66	V61165000*	Bobbin winder crank complete
67	V61563003*	Bobbin winder crank spring
68	F20213000*	Bobbin winder rubber pulley
69	V630193000	Feed regulator gear
70	VG7C004210	Feed regulator dial complete

No.	Part No.	Description
71	V640123000	Feed regulator cam
72	003010046	E-Ring (ETW-4)
73	003020053	CS ring
74	J31413000	Free arm base felt
75	VG7G003210	Face plate
76	V61383323	Plate
77	V630593000	Thread cutter
78	V610195000	Bobbin winder thread guide complete
79	V610213001	Bobbin winder thread guide adjusting screw
80	H13133001	Bobbin winder spring disc
81	H13153001	Bobbin winder thread guide spring
82	V610223001	Bobbin winder thread guide
83	V610233006	Spacer
84	003010036	E-Ring (ETW-3)
85	V610203210	Bobbin winder thread guide base
86	V610363001	Thread guide
87	V610155000	Thread guide complete
88	VG7G004210	Face plate complete
89	004300493	Washer (φ14*φ6.2*3)
90	004106053	Set screw (9/64*40*11)
91	V61033003	Zig zag width spring
92	V61003003	Zig zag width regulating cam box
93	V640273006	Zig zag width crank rod
94	V640153003	Zig zag width crank
95	V640183003	Zig zag width cam
96	004300096	Washer (4*8*0.5)
97	V640304000	Zig zag width dial complete
98	V640173006	Zig zag width dial plate
99	V640263003	Needle position plate
100	VG7B004210	Zig zag dial complete
101	004230016	Set screw(M3X6A)

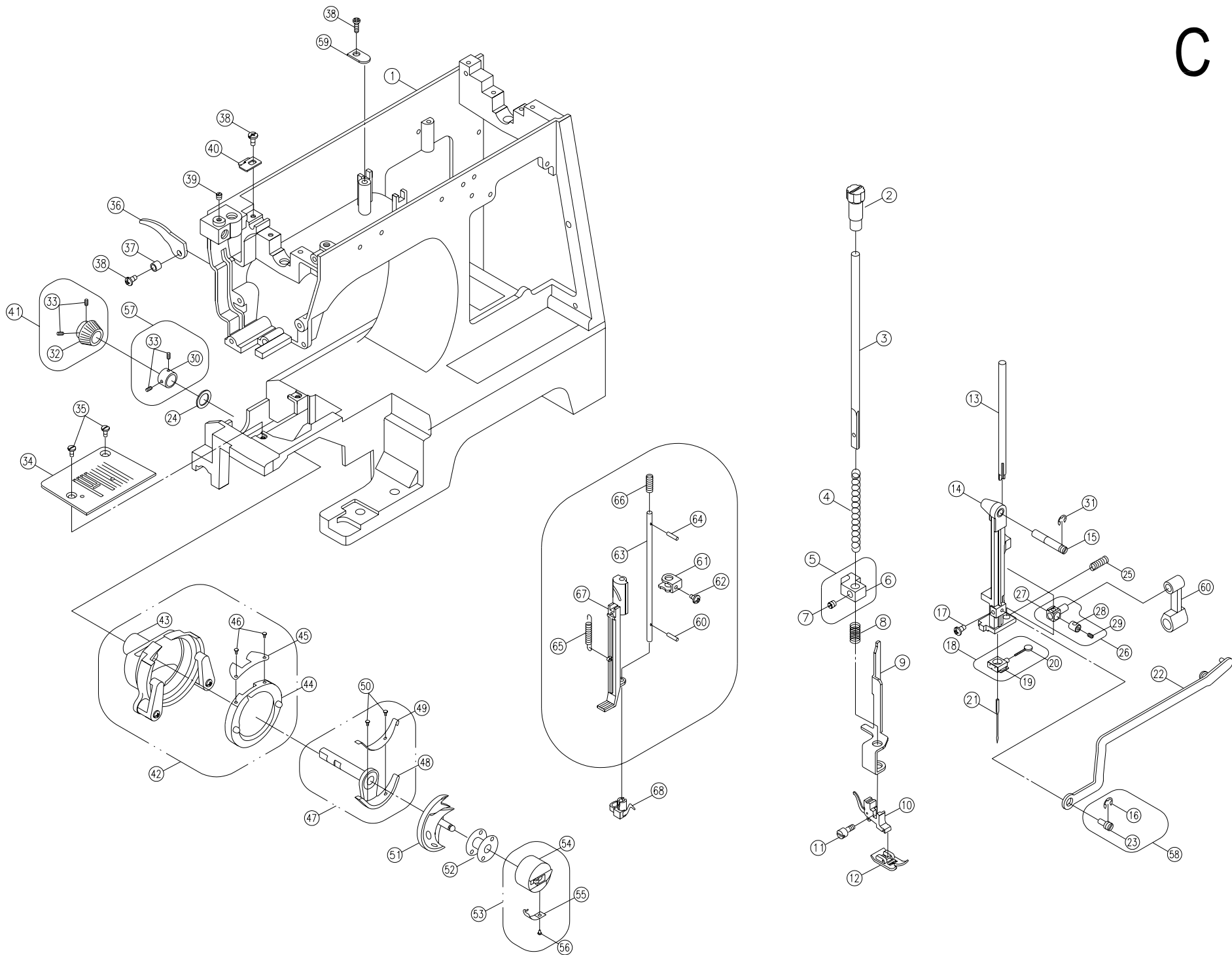
\*\* means : These spare parts are not supplied individually , but can be obtained by minimum quantity at 300 pcs.

B





C



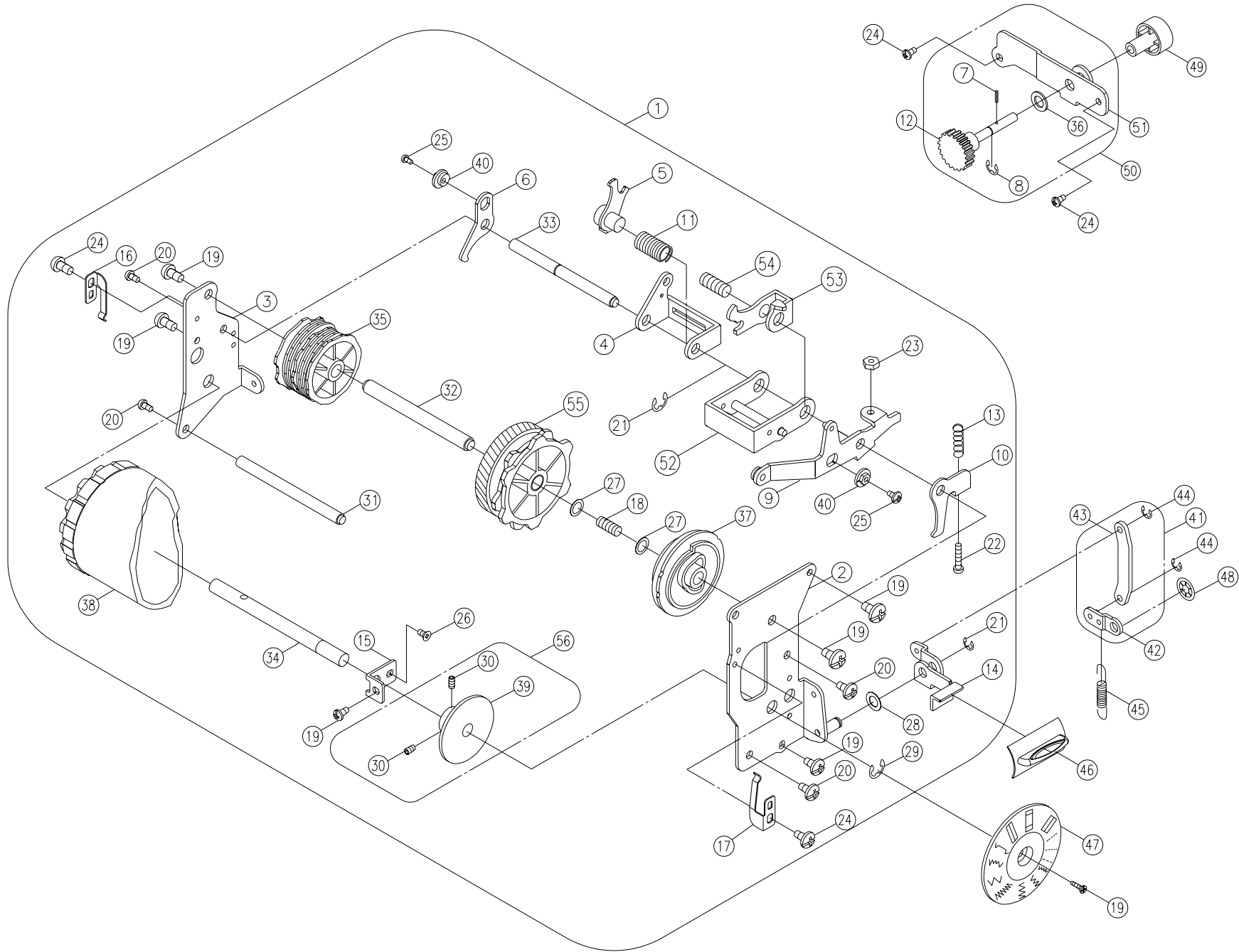
No.	Part No.	Description
1	VE40013000	Arm
2	V620163210	Presser bar regulating screw
3	V70153002	Presser bar
4	V70163003*	Presser bar spring
5	H10525000	Presser bar bracket complete
6	H10533002	Presser bar bracket
7	004260023	Set screw (M6*5)
8	H10723003*	Tension lever lifter spring
9	V60153003	Tension lever lifter
10	006910008	Shank complete
11	004106221	Shank complete screw (9/64*40 $\mu$ *8)
12	006806008	Zig zag presser foot complete (J)
13	V70273000	Needle bar
14	V61753002	Needle bar supporter
15	R12723003	Needle bar supporter pin
16	003010053	E-ring (ETW-5)
17	004106233	Set screw (9/64*40*5)
18	G10245000	Needle clamp complete
19	TA11033002	Needle clamp
20	G10176002	Needle clamp set screw
21	006176008	Needle(#14)
22	V60175003	Needle bar driving rod complete
23	M30083000	Needle bar driving rod pin
24	004400210	Endure attrition washer (8.2*16*0.5)
25	H50583003*	Needle bar supporter spring
26	H10195000*	Needle bar bracket complete
27	H10253000*	Needle bar bracket (1)
28	H10263000*	Needle bar bracket (2)
29	004240503*	Set screw (M4*0.7*4 C)
30	H71153003	Shuttle driver shaft collar
31	003010056	E-ring(ETW-5)
32	V620233000	Shuttle driver shaft gear
33	004107293	Set screw (11/64*40*4)
34	V620033001	Needle plate
35	004240851	Needle plate complete set screw (M4)

No.	Part No.	Description
36	V10333000	Presser bar lifter lever
37	V60163000	Presser bar lifter lever screw washer
38	004240106	Set screw (M4*8 A)
39	004240033	Set screw (M4*5)
40	V60143003	Tension lever regulating plate
41	V620235000	Shuttle driver shaft gear
42	V10995000	Open shuttle race complete
43	V11003002*	Open shuttle race
44	V11573001*	Shuttle hook holder
45	V11583002*	Shuttle hook holder spring
46	H71093003*	Shuttle hook holder spring screw
47	K81125000	Shuttle driver complete
48	K81123002*	Shuttle driver
49	K81143003*	Shuttle driver spring
50	004103043*	Shuttle driver spring screw
51	H71173000	Shuttle hook (4.6mm)
52	006066008	Bobbin
53	H71185000	Bobbin case complete
54	H71186001*	Bobbin case
55	H13803001*	Bobbin case spring
56	H13973002*	Bobbin case spring set screw
57	H71155000	Shuttle driver shaft collar complete
58	M30074000	Needle bar driving rod pin complete
59	H13093003	Set washer
60	F4A3343000	Needle bar crank rod
61	M70073002	Auto threaded stopper
62	004230016	Set screw (M3*6)
63	V61843002	Auto threaded shaft
64	003042014	Auto threaded shaft pin ( $\phi$ 2*14)
65	M70093000	Auto threaded lever spring
66	R12793003*	Auto threaded shaft spring
67	R10083000	Auto thread lever
68	E1A2125000	Auto threaded

" \* "means : These spare parts are not supplied individually , but can be obtained by minimum quantity at 300 pcs.

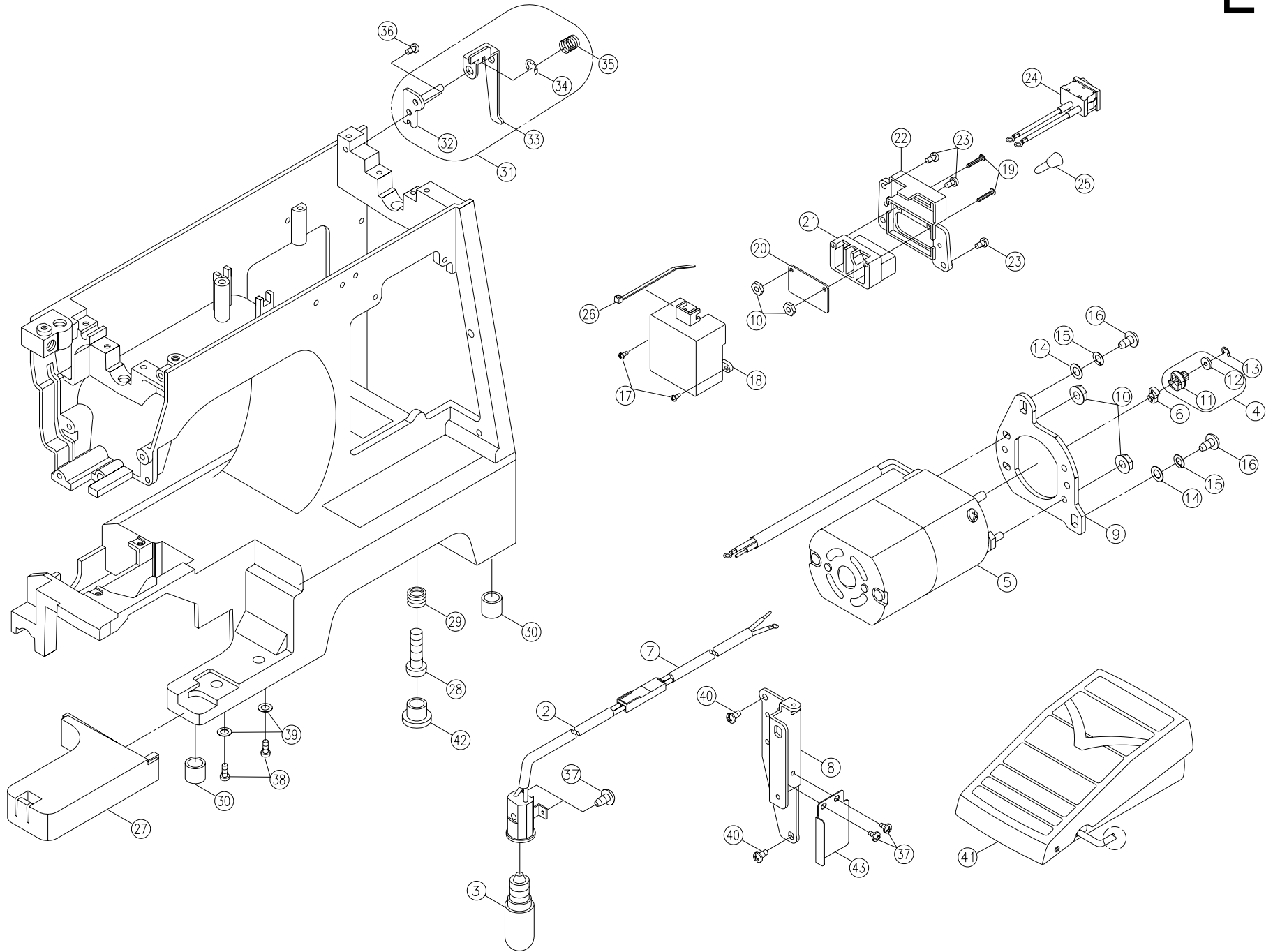


D



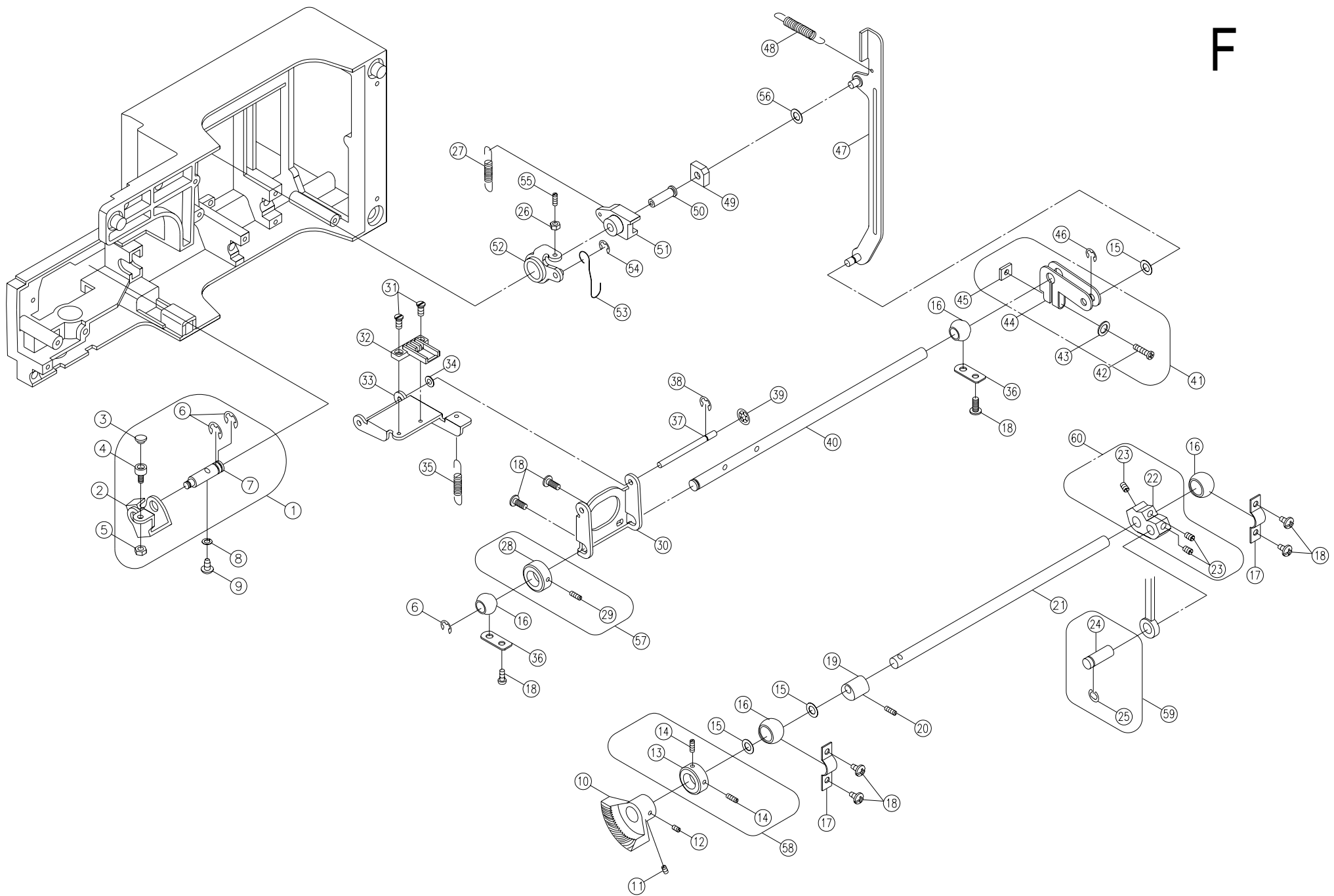


E





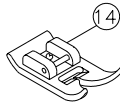
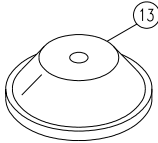
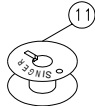
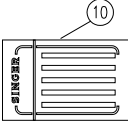
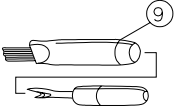
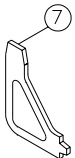
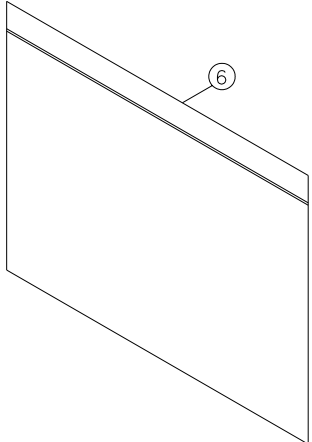
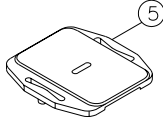
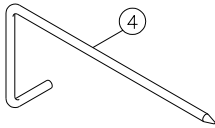
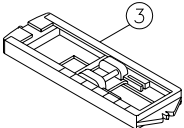
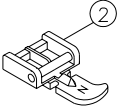
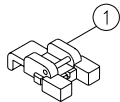
F





G

# Standard accessories



---

# Optional accessories

