

**SINGER**  
1730

ILLUSTRATED

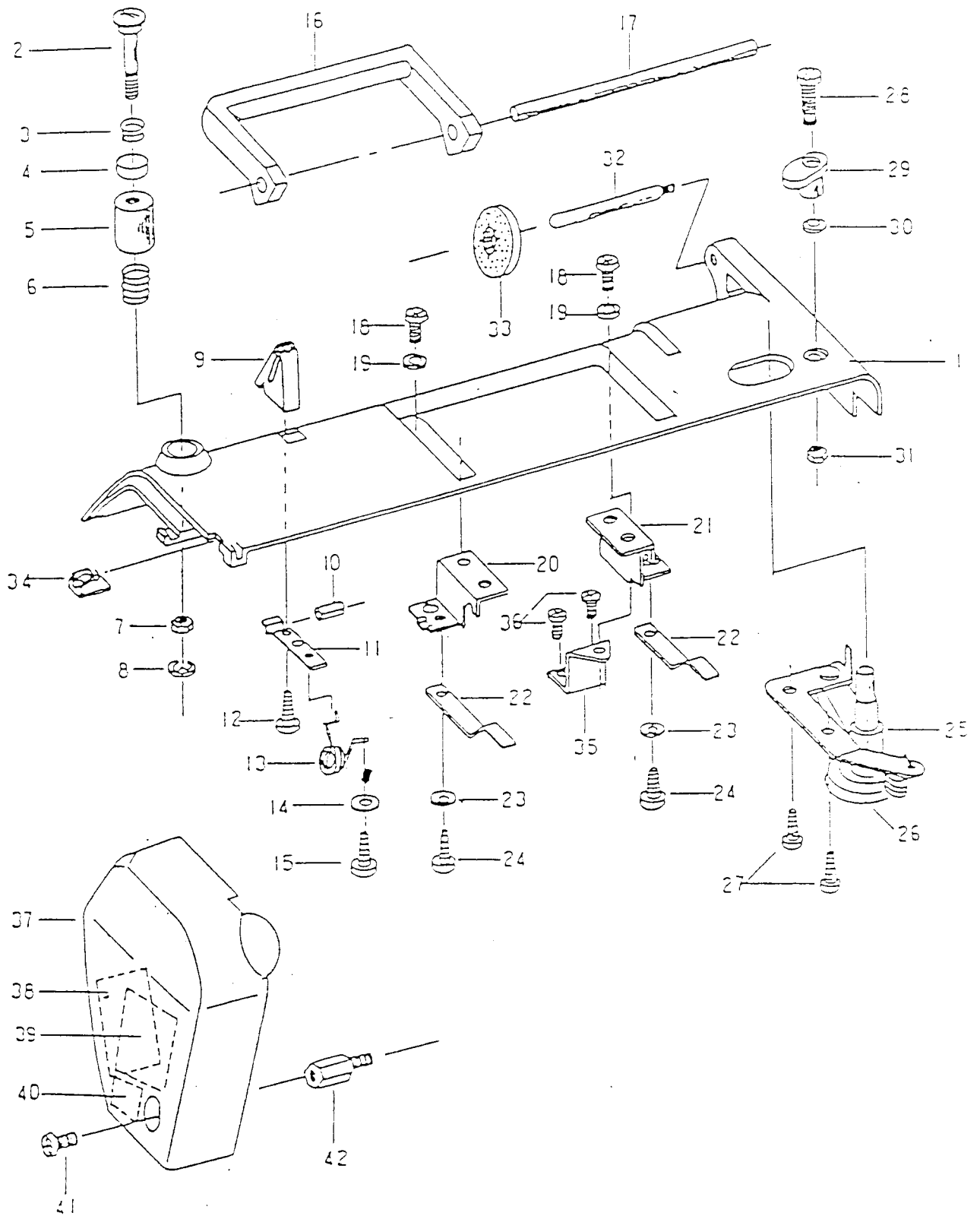
PARTS LIST

FOR

**SINGER\***

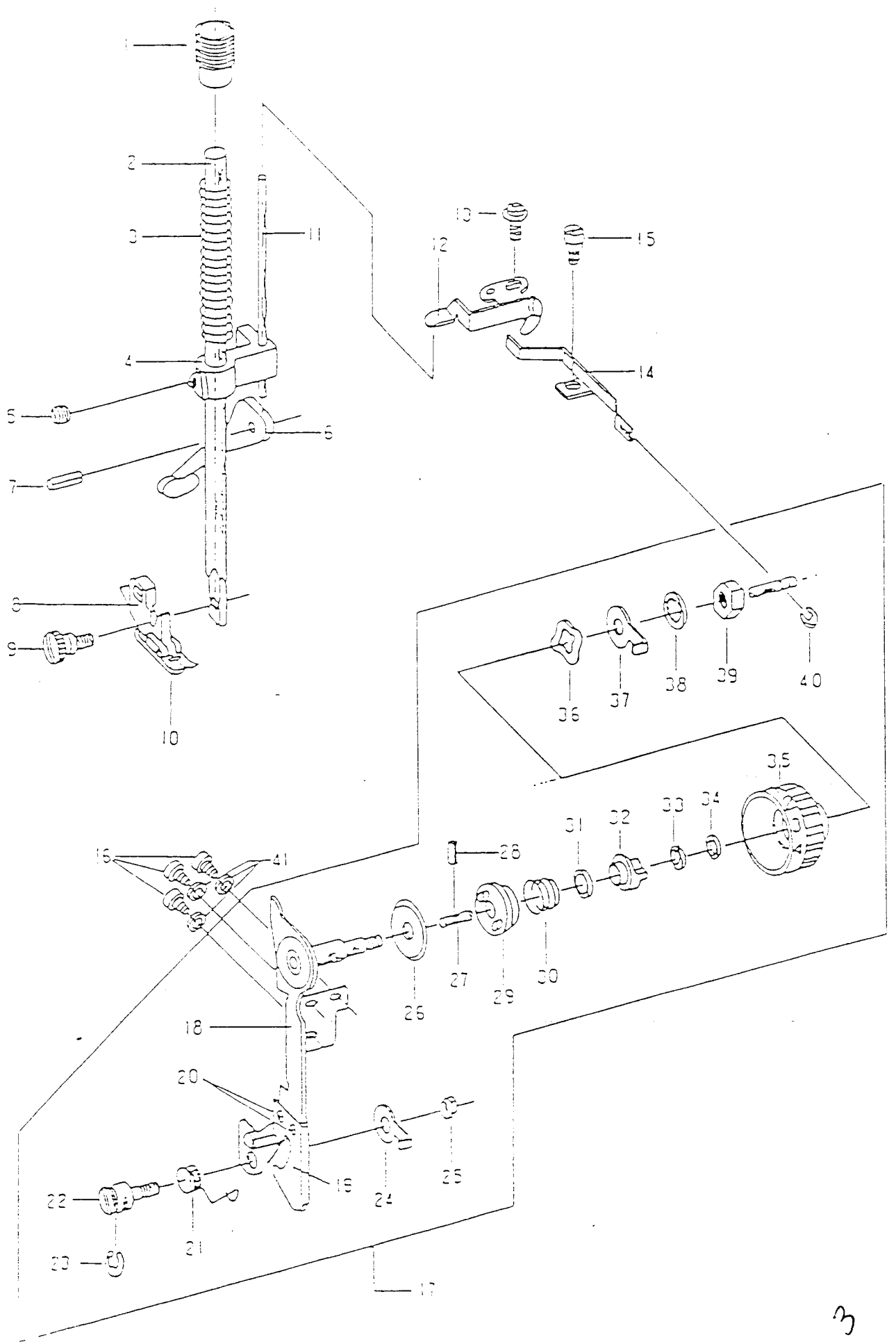
MACHINE

**1730**

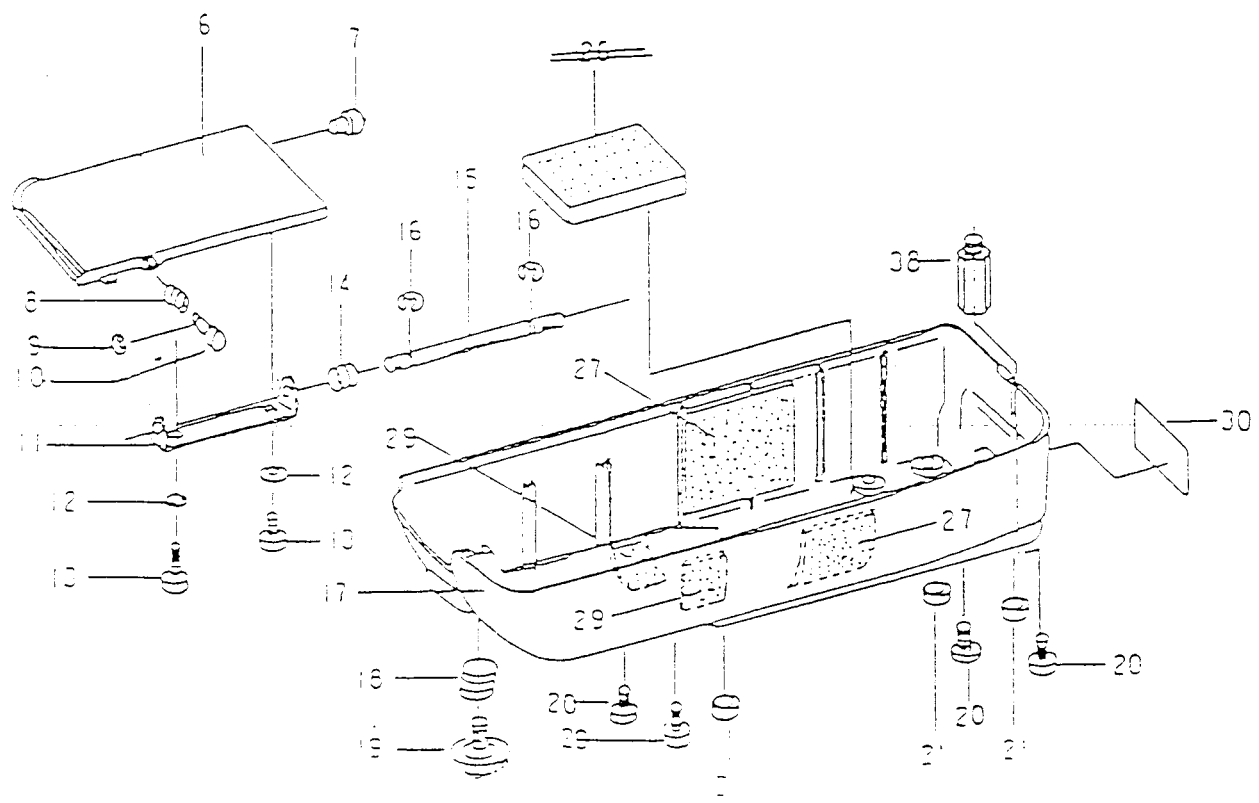
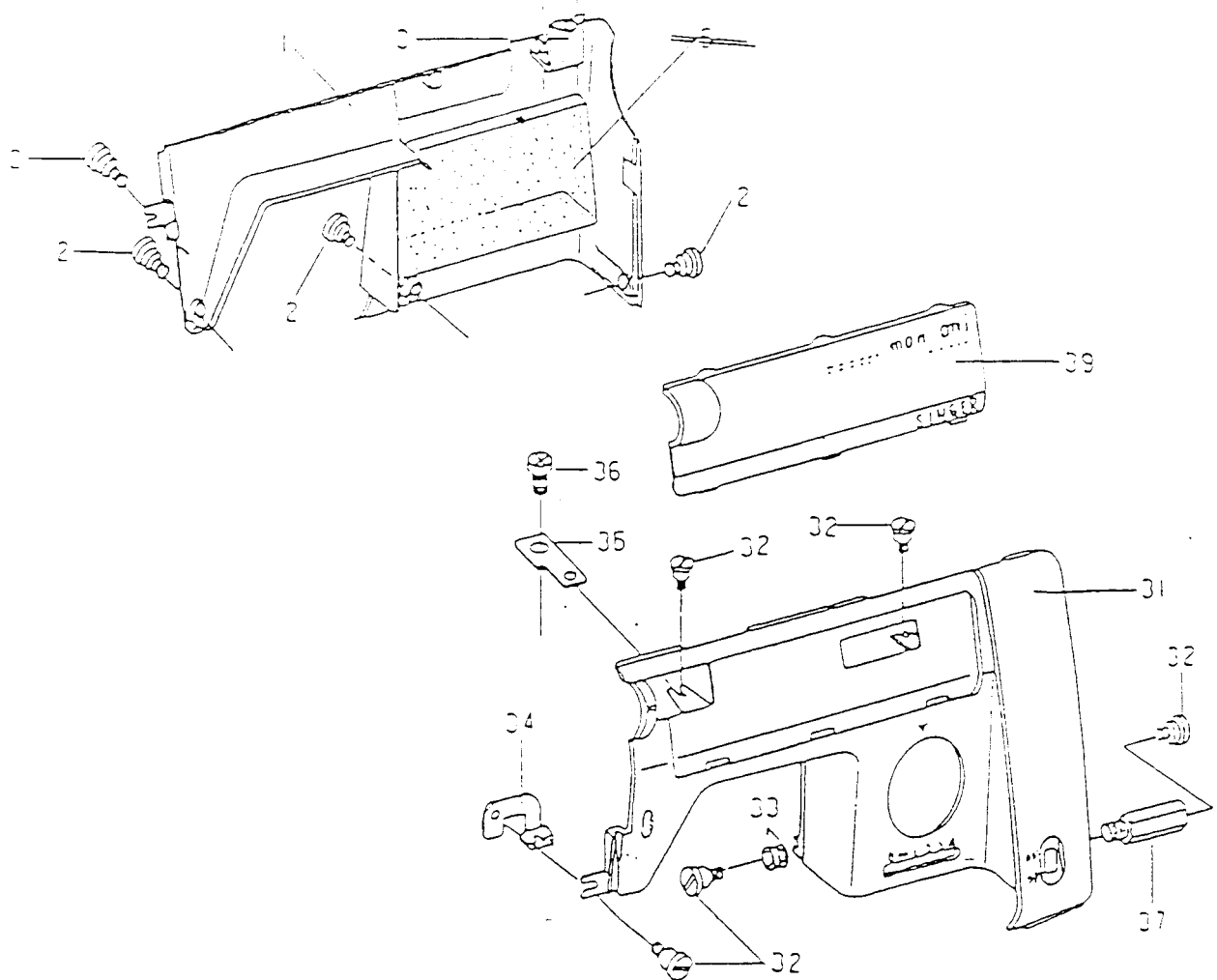




PART NO.	DESCRIPTION
1 230001	Arm Top Cover
2 230002	Bobbin Winder Tension Stud
3 230003	Bobbin Winder Tension Disc Spring
4 230004	Bobbin Winder Tension Disc
5 230005	Bobbin Winder Tension Disc Collar
6 230006	Bobbin Winder Tension Disc Collar Spring
7 230401	Bobbin Winder Tension Disc Nut
8 543801-002	Bobbin Winder Tension Disc Retaining Ring
9 403096-453	Arm Top Cover Thread Guide
10 543607-004	Arm Top Cover Thread Guide Bracket Pin
11 370094	Arm Top Cover Thread Guide Bracket
12 544220-003	Arm Top Cover Thread Guide Bracket Screw
13 370095	Arm Top Cover Thread Guide Spring
14 543803-002	Arm Top Cover Thread Guide Spring Washer
15 544220-003	Arm Top Cover Thread Guide Spring Washer Screw
16 230007	Machine Handle
17 230008	Machine Handle Hinge Pin
18 544212-003	Arm Top Cover Screw (2)
19 547670	Arm Top Cover Screw Washer (2)
20 230009	Machine Handle Bracket (left)
21 230010	Machine Handle Bracket (right)
22 230011	Machine Handle Friction Spring (2)
23 543803-002	Machine Handle Friction Spring Screw Washer (2)
24 544187	Machine Handle Friction Spring Screw (2)
25 230012	Bobbin Winder Cpl.
26 230013	Bobbin Winder Friction Ring
27 544220-004	Bobbin Winder Cpl. Screw (2)
28 230402	Bobbin Winder Stopper Screw
29 230014	Bobbin Winder Stopper
30 547670	Bobbin Winder Stopper Washer
31 234001	Bobbin Winder Stopper Screw Nut
32 542412-453	Arm Top Cover Spool Pin
33 417399-004	Arm Top Cover Thread Lead-off
34 419531	Arm Top Cover Thread Guide
35 230015	Arm Top Cover Bracket (left)
36 230403	Arm Top Cover Bracket (left) Screw (2)
37 230016	Face Plate
38 230017	Face Plate Shield No.2
39 230013	Face Plate Shield No.1
40 230019	Face Plate Shield No.3
41 544212-074	Face Plate Screw
42 230404	Face Plate Hinge Screw



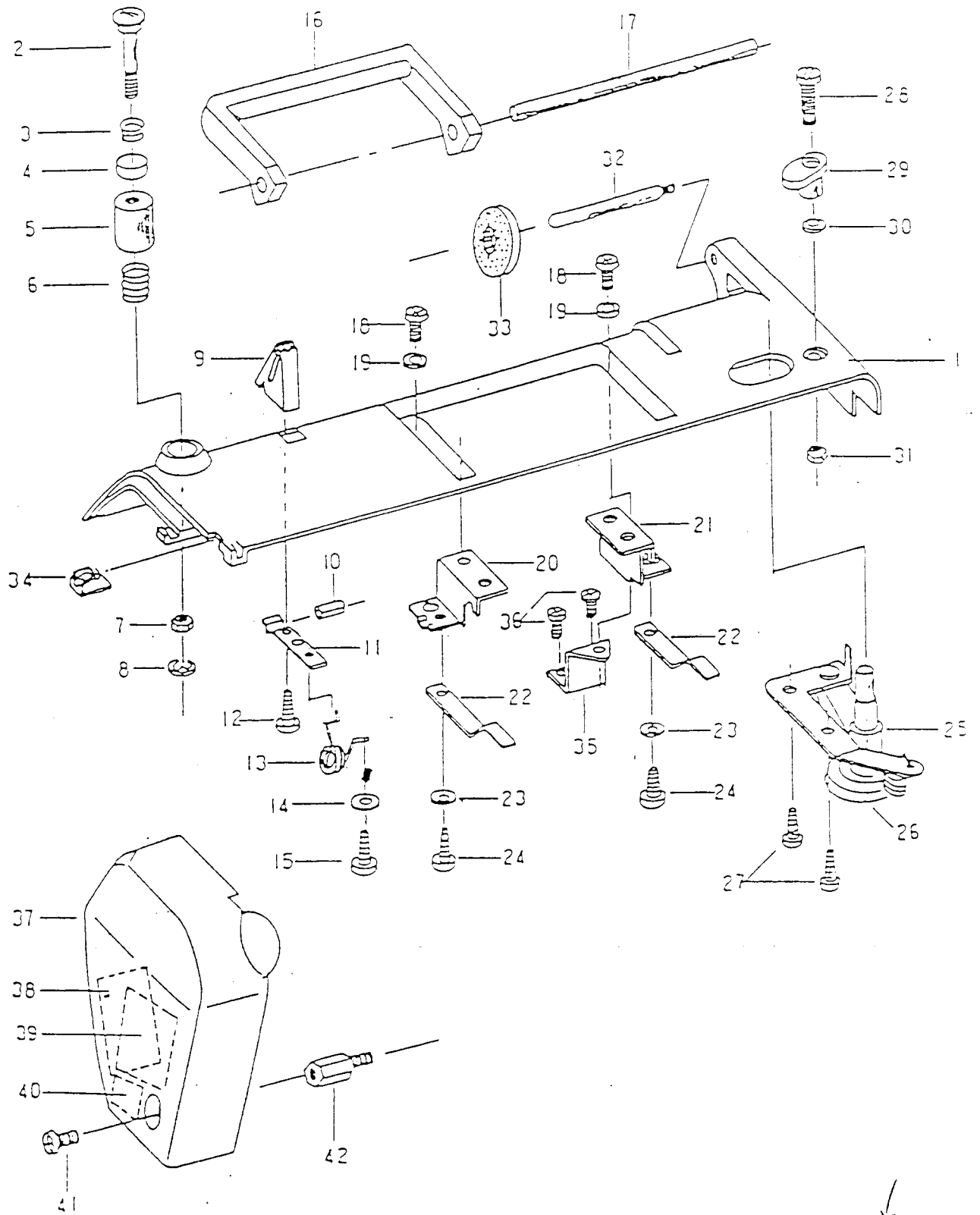
	PART NO.	DESCRIPTION
1	280410	Presser Bar Pressure Adjusting Screw
2	280031	Presser Bar
3	280032	Presser Bar Spring
4	280033	Presser Bar Guide Bracket
5	280411	Presser Bar Guide Bracket Screw
6	280034	Presser Bar Lifter
7	280035	Presser Bar Lifter Hinge Pin
8	280036	Presser Foot Holder
9	280412	Presser Foot Thumb Screw
10	280037	Presser Foot Plate for Zig Zag
11	280038	Tension Releasing Pin
12	280039	Tension Release Actuating Lever Cpl.
13	280413	Tension Release Actuating Lever Screw
14	280040	Tension Release Lever
15	280414	Tension Release Lever Hinge Screw
16	544220-002	Tension Cpl. Screw (3)
17	280041	Tension Cpl.
18	280042	Tension Disc Support Bracket Cpl.
19	280043	Thread Take-up Spring Thread Guard
20	280415	Thread Take-up Spring Thread Guard Screw (2)
21	280044	Thread Take-up Spring
22	280416	Thread Take-up Spring Adjusting Screw
23	543801-005	Thread Take-up Spring Adjusting Screw Ring
24	280045	Thread Take-up Spring Stopper
25	280417	Thread Take-up Spring Adjusting Screw Nut
26	280046	Tension Disc
27	280047	Tension Releasing Pin
28	280048	Tension Releasing Pin Spring Pin
29	280049	Tension Disc Retainer
30	280050	Tension Spring
31	280051	Tension Spring Washer
32	280052	Tension Spring Retainer
33	280053	Tension Dial Washer
34	280054	Tension Dial Washer
35	280055	Tension Dial
36	280056	Tension Dial Wave Washer
37	280057	Tension Dial Stopper
38	280058	Tension Dial Stopper Washer
39	280418	Tension Dial Stopper Nut
40	543801-001	Tension Releasing Pin Retainig Ring
41	543803-002	Tension Cpl. Screw Washer (3)



7

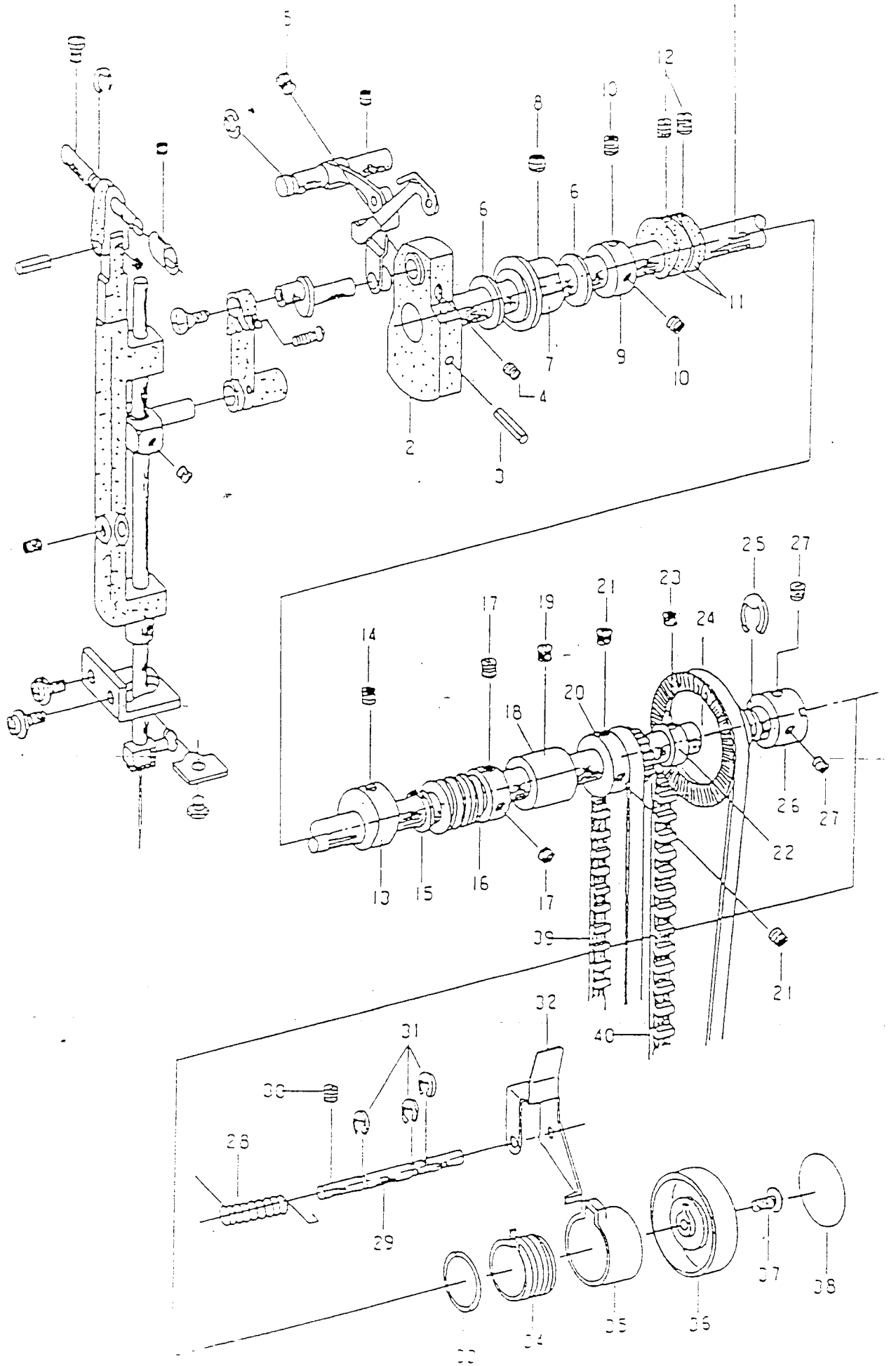


	PART NO.	DESCRIPTION
1	280020	Arm Back Cover
2	374093	Arm Back Cover Screw (4)
3	280021	Arm Top Cover Bracket (right)
4	280403	Arm Top Cover Bracket (right) Screw (2)
6	409734-458	Bed Lid Cpl.
7	381878	Bed Lid Stopper
8	381877	Bed Lid Positioning Pin Spring
9	540623	Bed Lid Positioning Pin Retaining Ring
10	381874-451	Bed Lid Positioning Pin
11	409440	Bed Lid Bracket
12	408098	Bed Lid Bracket Screw Washer (2)
13	544078	Bed Lid Bracket Screw (2)
14	381876	Bed Lid Hinge Pin Spring
15	408916	Bed Lid Hinge Pin
16	408030	Bed Lid Hinge Pin Retaining Ring (2)
17	280022	Bed Cover
18	280023	Bed Cover Adjusting Spring
19	280406	Bed Cover Adjusting Screw
20	544213-002	Bed Cover Screw (4)
21	148509-452	Bed Cover Cushion (3)
27	280024	Bed Cover Seat (2)
29	280025	Bed Cover Felt (2)
30	280026	Electric Data Plate
31	280027	Arm Front Cover
32	374093	Arm Front Cover Screw (5)
33	408098	Arm Front Cover Screw Washer (2)
34	280028	Arm Front Cover Thread Guide
35	280029	Arm Front Cover Bracket
36	280407	Arm Front Cover Bracket Screw (2)
37	280408	Arm Front Cover Hinge Screw
38	280409	Bed Cover Hinge Screw
39	280030	Control Panel

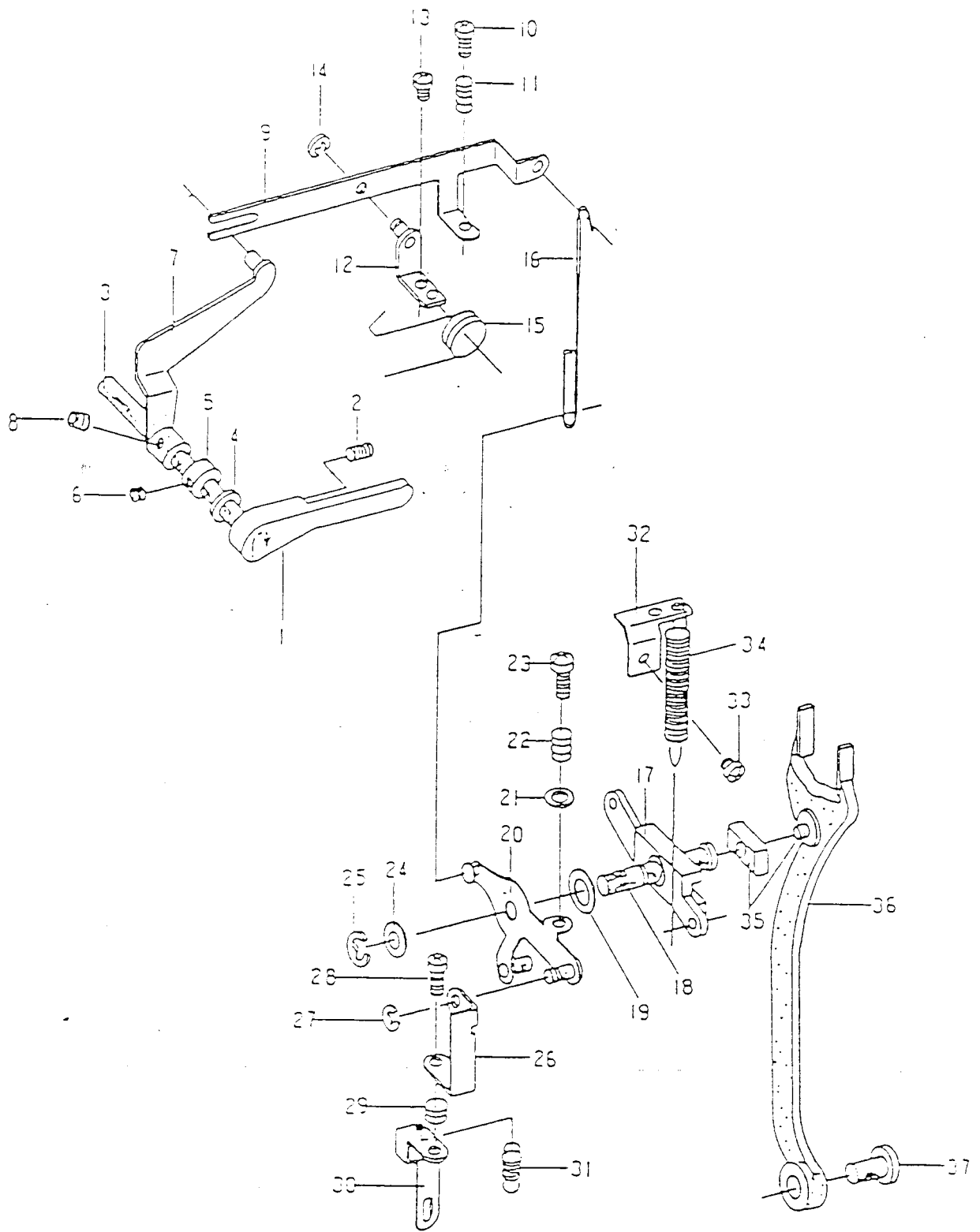


	PART NO.	DESCRIPTION
1	280059	Needle Bar Vibrating Bracket
2	280060	Needle Bar Vibrating Bracket Arm
3	280061	Needle Bar Vibrating Bracket Arm Shaft
4	280419	Needle Bar Vibrating Bracket Arm Screw
5	280062	Needle Bar Vibrating Bracket Hinge Pin
6	284007	Needle Bar Vibrating Bracket Hinge Pin Screw
7	543801-006	Needle Bar Vibrating Bracket Hinge Pin Ring
8	280063	Needle Bar Vibrating Bracket Collar
9	280419	Needle Bar Vibrating Bracket Collar Screw
10	280064	Needle Bar
11	280420	Needle Bar Driving Arm Hinge Pin Screw
12	280065	Needle Bar Guide
13	280421	Needle Bar Guide Screw (2)
14	280066	Needle Bar Guide Adjusting Plate
15	280422	Needle Bar Guide Adjusting Plate Screw
16	280067	Needle Clamp Cpl.
17	2020-014	Needle
18	280068	Needle Bar Connecting Stud
19	280423	Needle Bar Connecting Stud Screw
20	280069	Needle Bar Connecting Link
21	280424	Needle Bar-Connecting Link Screw
22	280425	Thread Take-up Stud Left Screw
23	280070	Thread Take-up Stud
24	280071	Thread Take-up Lever
25	280072	Thread Take-up Lever Hinge Pin
26	280426	Thread Take-up Lever Hinge Pin Screw
27	543676	Thread Take-up Lever Hinge Pin Ring
28	280073	Needle Vibrating Bracket Spring
29	280074	Arm Shaft Connection Belt Tension Pulley Bracket Cpl.
30	544213-002	Arm Shaft Connection Belt Tension Pulley Bracket Screw (2)
31	408098	Arm Shaft Connection Belt Tension Pulley Bracket Screw Washer
32	280075	Arm Shaft Connection Belt Tension Pulley Bracket Screw Thrust Washer (2)
33	280076	Arm Shaft Connection Belt Tension Pulley
34	280077	Arm Shaft Connection Belt Tension Pulley Ring

8

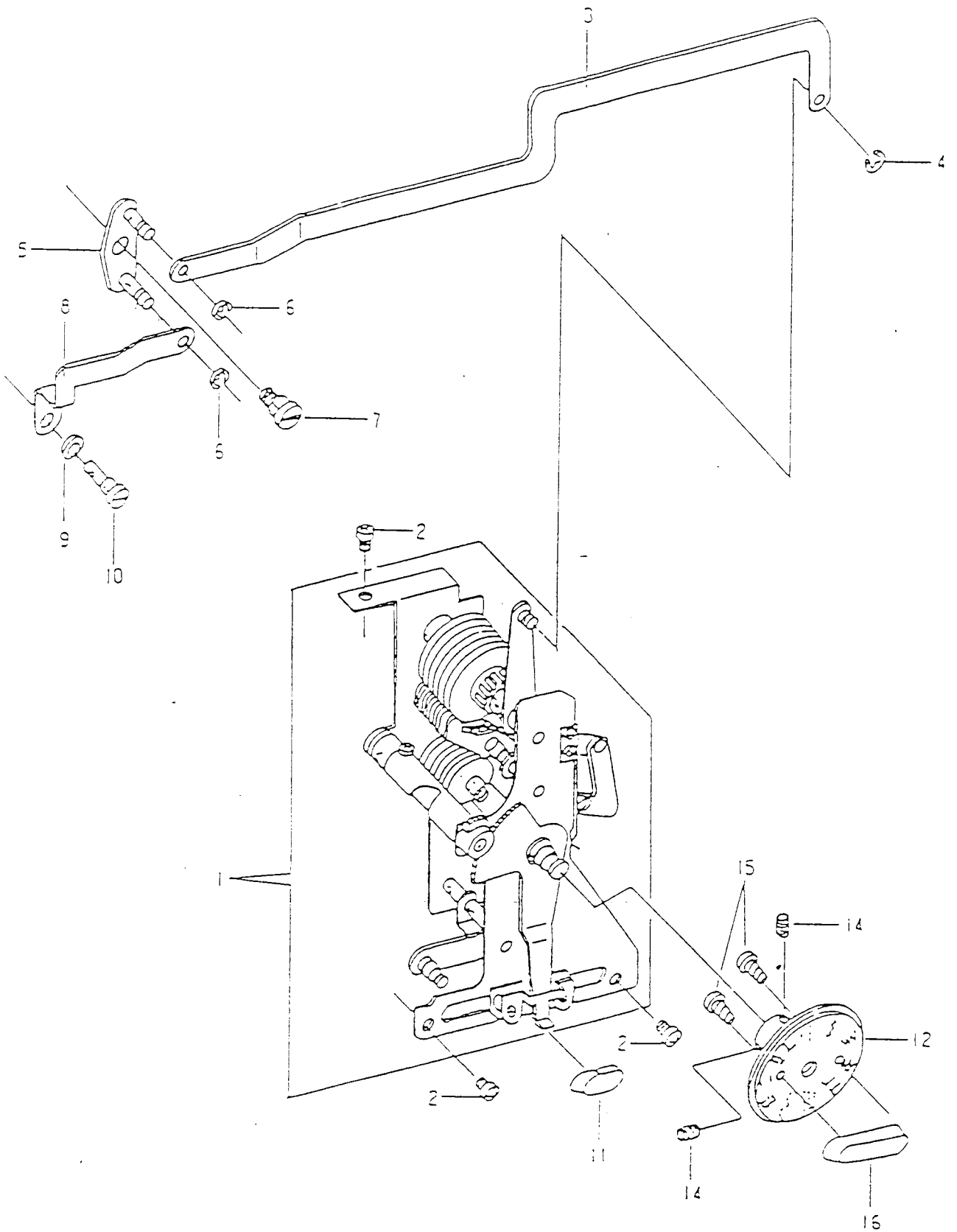


PART NO.	DESCRIPTION
1 230078	Arm Shaft
2 230079	Needle Bar Crank
3 230080	Needle Bar Crank Spring Pin
4 230427	Thread Take-up Stud Screw
5 234011	Thread Take-up Stud Screw
6 230081	Needle Bar Crank Thrust Washer (2)
7 230082	Arm Shaft Bushing (front)
8 230428	Arm Shaft Bushing (front) Screw
9 230083	Arm Shaft Collar
10 230420	Arm Shaft Collar Screw (2)
11 230084	Arm Shaft Balance Weight (2)
12 230429	Arm Shaft Balance Weight Screw (2)
13 230085	Feed Cam
14 230430	Feed Cam Screw
15 230086	Feed Cam Positioning Ring
16 230087	Arm Shaft Gear
17 230431	Arm Shaft Gear Screw (2)
18 230088	Arm Shaft Bushing (back)
19 230427	Arm Shaft Bushing (back) Screw
20 230089	Arm Shaft Connection Belt Pulley
21 230432	Arm Shaft Connection Belt Pulley Screw (2)
22 230090	Handwheel Pulley Stop Collar
23 230433	Handwheel Pulley Stop Collar Screw
24 230091	Handwheel Pulley
25 230092	Handwheel Pulley Ring
26 230093	Handwheel Pulley Stop Motion Collar
27 230420	Handwheel Pulley Stop Motion Collar Screw (2)
28 230094	Handwheel Releasing Lever Spring
29 230095	Handwheel Releasing Lever Shaft
30 230434	Handwheel Releasing Lever Shaft Screw
31 343301-005	Handwheel Releasing Lever Shaft Ring (3)
32 230096	Handwheel Releasing Lever
33 230097	Handwheel Releasing Lever Stop Cam Washer
34 230098	Handwheel Releasing Lever Stop Cam Spring
35 230099	Handwheel Releasing Lever Stop Cam
36 230100	Handwheel
37 230435	Handwheel Screw
38 230101	Handwheel Plate
39 230102	Arm Shaft Connection Belt
40 230103	Motor Belt



	PART NO.	DESCRIPTION
1	280104	Reverse Feed Lever
2	280436	Reverse Feed Lever Screw
3	280105	Reverse Feed Lever Shaft
4	280106	Reverse Feed Lever Thrust Washer
5	280107	Reverse Feed Lever Collar
6	280419	Reverse Feed Lever Collar Screw
7	280108	Reverse Feed Lever Arm Cpl.
8	280420	Reverse Feed Lever Arm Screw
9	280109	Reverse Feed Actuating Lever
10	280437	Reverse Feed Actuating Lever Adjusting Screw
11	280110	Reverse Feed Actuating Lever Adjusting Spring
12	280111	Reverse Feed Actuating Lever Bracket
13	280407	Reverse Feed Actuating Lever Bracket Screw
14	543801-003	Reverse Feed Actuating Lever Retaining Ring
15	280112	Reverse Feed Actuating Lever Spring
16	280113	Reverse Feed Actuating Lever Connecting Wire
17	280114	Feed Regulator
18	280115	Feed Regulator Shaft
19	280116	Feed Regulator Thrust Washer
20	280117	Feed Regulator Actuating Lever
21	280118	Feed Regulator Actuating Lever Washer
22	280119	Feed Regulator Actuating Lever Spring
23	280437	Feed Regulator Actuating Lever Screw
24	280120	Feed Regulator Actuating Lever Screw Thrust Washer
25	280121	Feed Regulator Actuating Lever Screw Retaining Ring
26	543801-006	Buttonhole Connection Link
27	543801-003	Buttonhole Connection Link Retaining Ring
28	280438	Buttonhole Connection Link Adjusting Screw
29	280122	Buttonhole Connection Link Adjusting Spring
30	280123	Buttonhole Connection Plate
31	280124	Buttonhole Connection Plate Spring
32	280125	Feed Regulator Return Spring Bracket
33	280403	Feed Regulator Return Spring Bracket Screw
34	280126	Feed Regulator Return Spring
35	280127	Feed Regulator Slide Block
36	280128	Feed Forked Connection
37	280129	Feed Forked Connection Hinge Pin

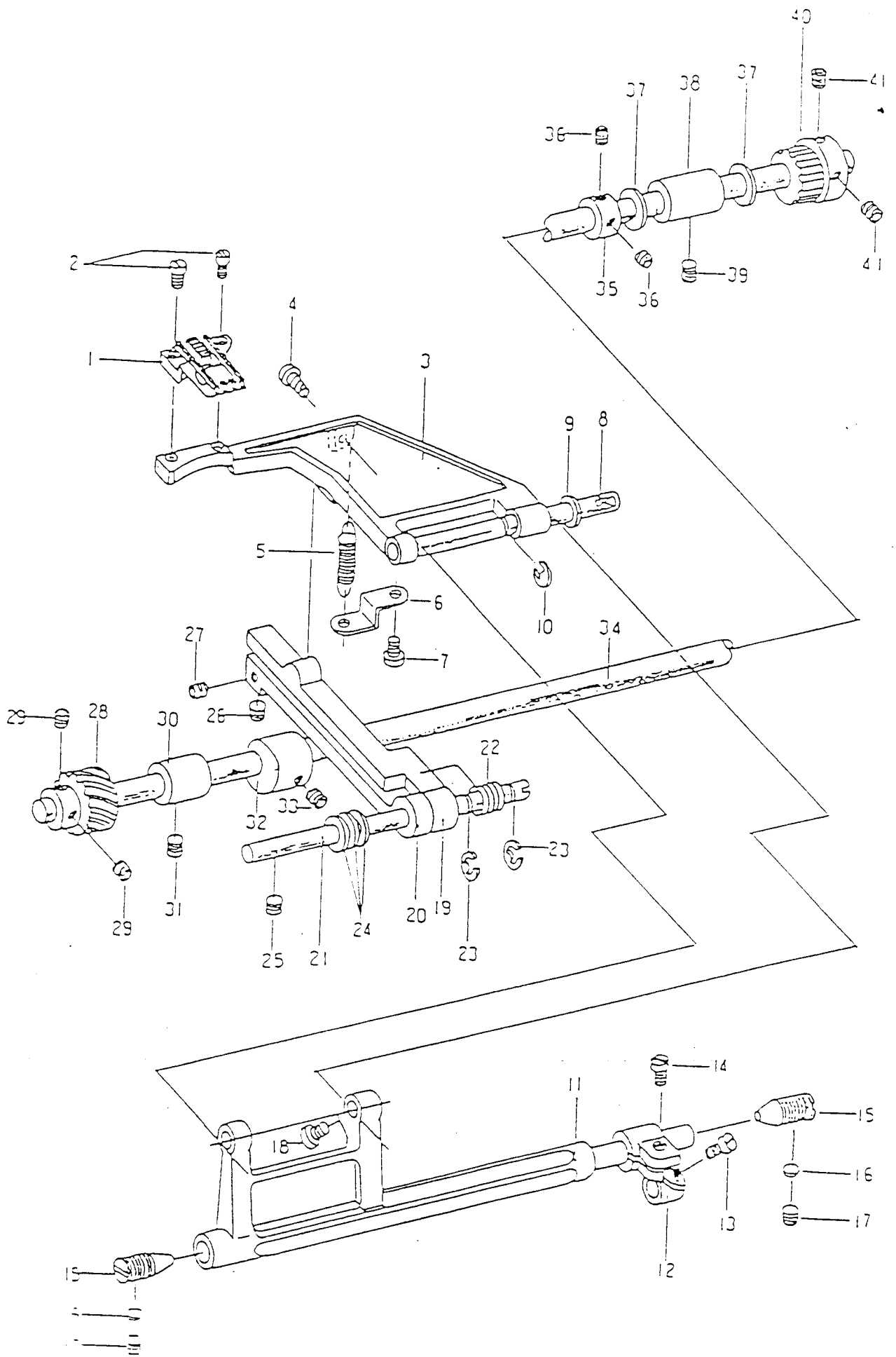
12



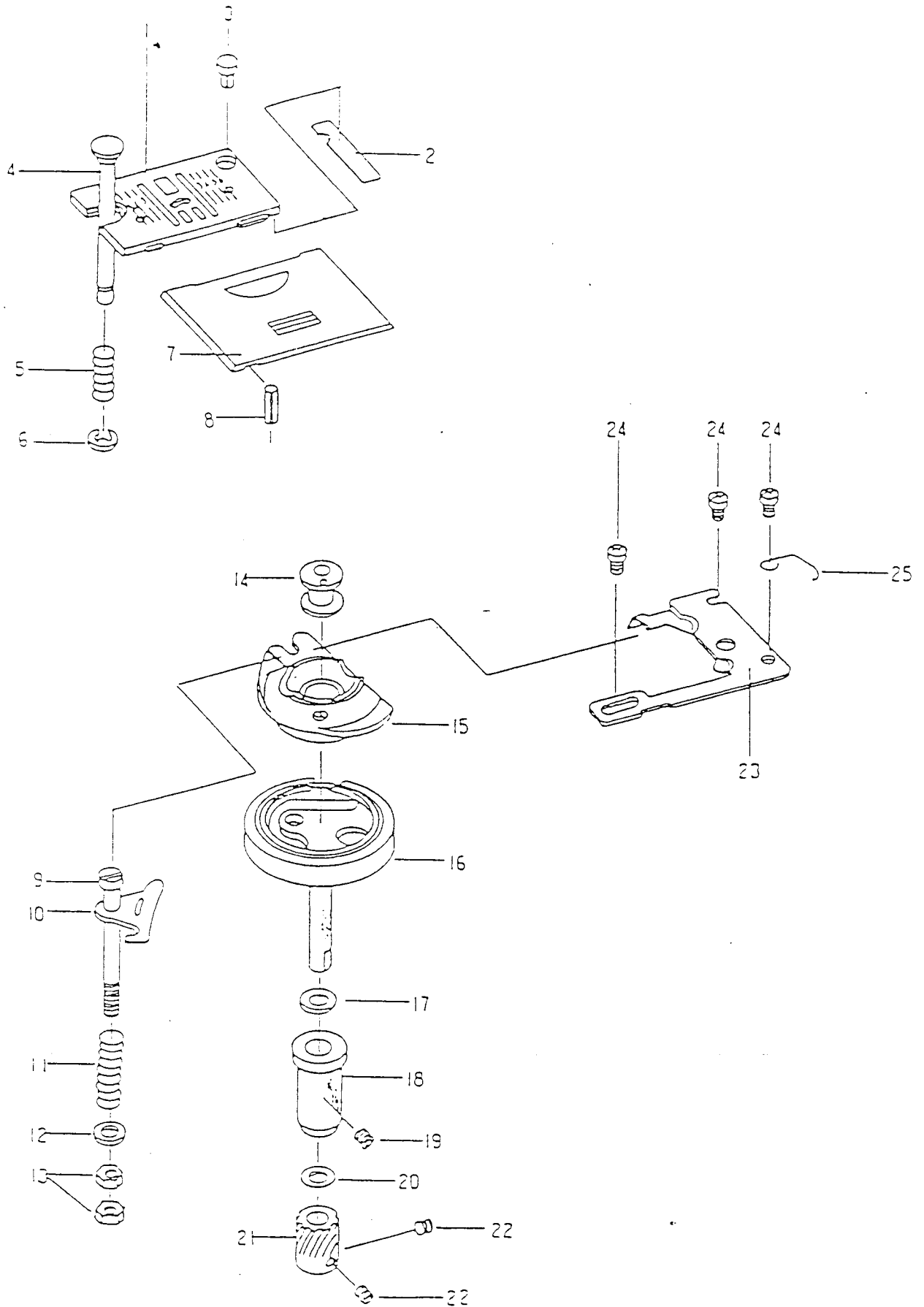


PART NO.	DESCRIPTION
1 280130	Zig Zag Mounting Bracket Cpl.
2 280407	Zig Zag Mounting Bracket Screw (3)
3 280131	Needle Bar Driving Arm Link
4 543801-003	Needle Bar Driving Arm Link Retaining Ring
5 280132	Needle Bar Driving Arm Connection Link
6 543801-003	Needle Bar Driving Arm Connection Link Ring (2)
7 280439	Needle Bar Driving Arm Connection Link Hinge Screw
8 280133	Needle Bar Driving Arm
9 280134	Needle Bar Driving Arm Hinge Pin Thrust Washer
10 280135	Needle Bar Driving Arm Hinge Pin
11 280136	Feed Control Knob
12 280137	Disc Selector Dial
14 280440	Disc Selector Dial Screw (2)
15 544220-003	Disc Selector Dial Screw (2)
13 280138	Disc Selector knob

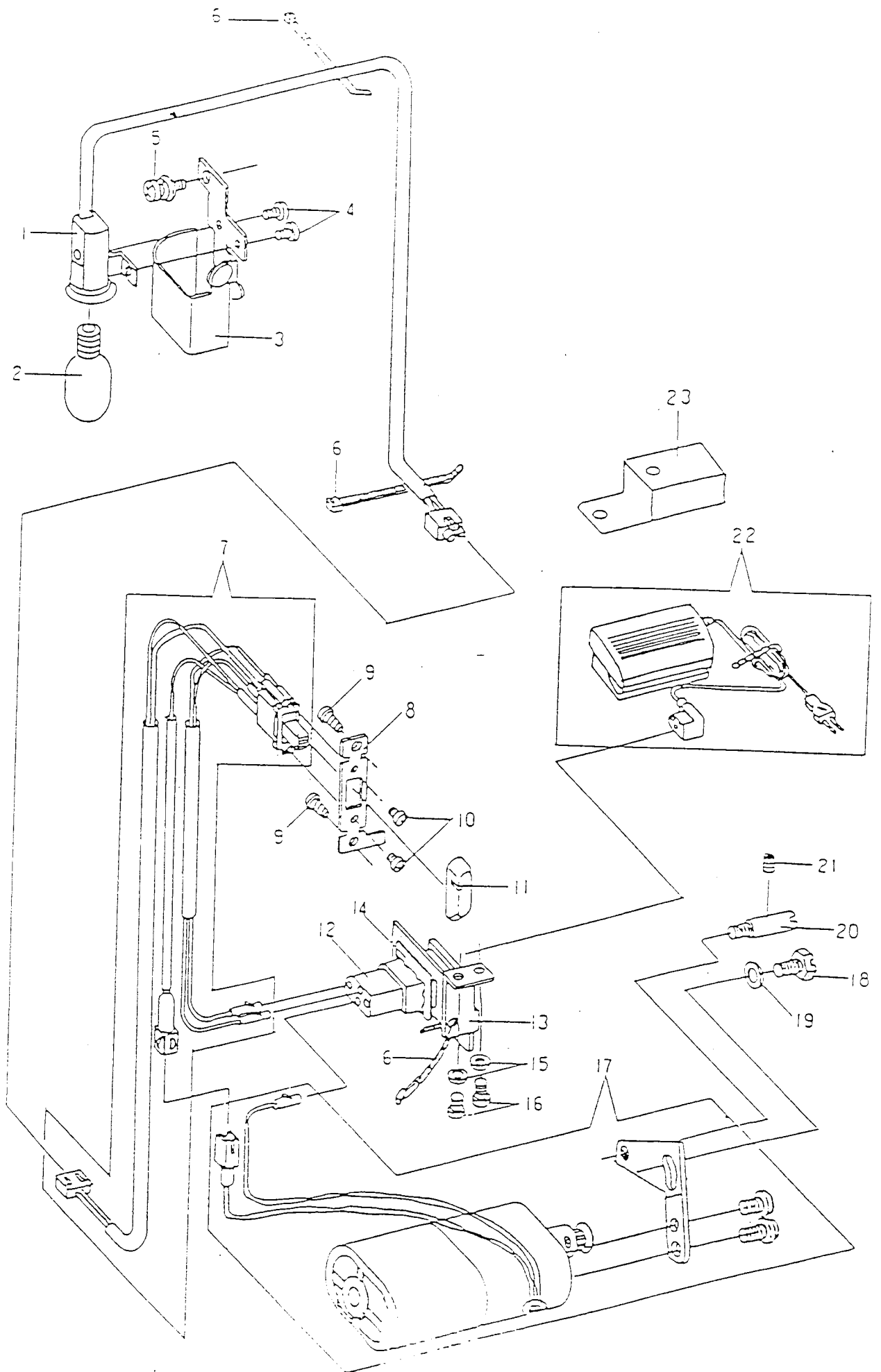
12



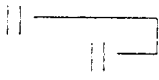
	PART NO.	DESCRIPTION
1	280139	Feed Dog
2	280140	Feed Dog Screw (2)
3	280141	Feed Dog Holder
4	544220-005	Feed Dog Holder Spring Screw
5	280142	Feed Dog Holder Spring
6	280143	Feed Dog Holder Spring Bracket
7	544212-001	Feed Dog Holder Spring Bracket Screw
8	280144	Feed Dog Holder Stud
9	280145	Feed Dog Holder Stud Thrust Washer
10	543301-005	Feed Dog Holder Stud Ring
11	280146	Feed Rock Shaft
12	280147	Feed Rock Shaft Arm
13	280443	Feed Forked Connection Hinge Pin Screw
14	280444	Feed Rock Shaft Arm Screw
15	280148	Feed Rock Shaft Screw Center (2)
16	280149	Feed Rock Shaft Screw Center Plate (2)
17	280427	Feed Rock Shaft Screw Center Set Screw (2)
18	280443	Feed Dog Holder Stud Screw
19	280150	Feed Lifting Lever (upper)
20	280151	Feed Lifting Lever (lower)
21	280152	Feed Lifting Lever Shaft
22	280153	Feed Lifting Lever Spring
23	543301-006	Feed Lifting Lever Shaft Ring (2)
24	280154	Feed Lifting Lever Shaft Thrust Washer (3)
25	280426	Feed Lifting Lever Screw
26	280441	Feed Lifting Lever Adjusting Screw
27	280442	Feed Lifting Lever Adjusting Screw Set Screw
28	280155	Rotating Hook Driving Shaft Driving Gear
29	280445	Rotating Hook Driving Shaft Driving Gear Screw (2)
30	280156	Rotating Hook Driving Shaft Bushing (left)
31	280411	Rotating Hook Driving Shaft Bushing (left) Screw
32	280157	Feed Lifting Cam
33	280411	Feed Lifting Cam Screw
34	280158	Rotating Hook Driving Shaft
35	280159	Rotating Hook Driving Shaft Collar
36	280442	Rotating Hook Driving Shaft Collar Screw (2)
37	280160	Rotating Hook Driving Shaft Thrust Washer (2)
38	280161	Rotating Hook Driving Shaft Bushing (right)
39	280427	Rotating Hook Driving Shaft Bushing (right) Screw
40	280162	Rotating Hook Driving Shaft Connection Belt Pulley
41	280422	Rotating Hook Driving Shaft Connection Belt Pulley Screw (2)

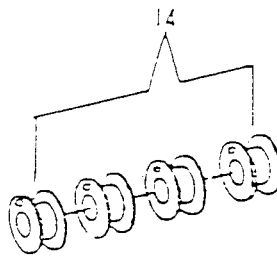
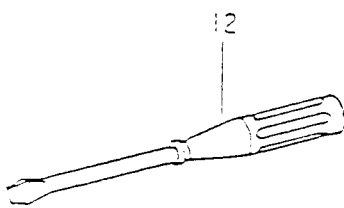
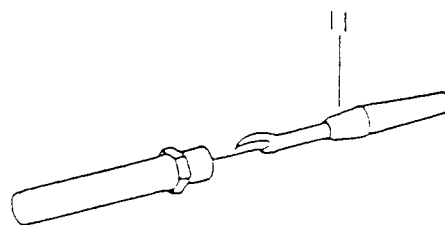
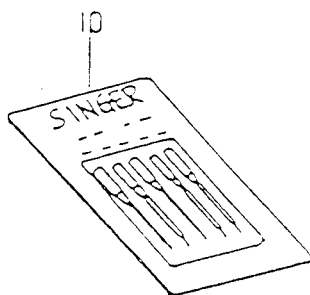
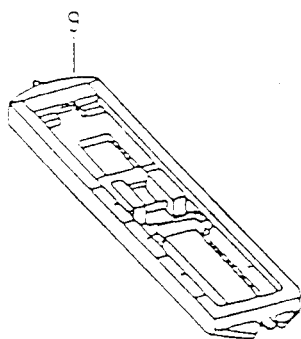
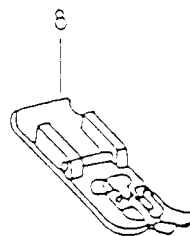
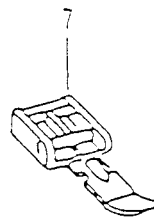
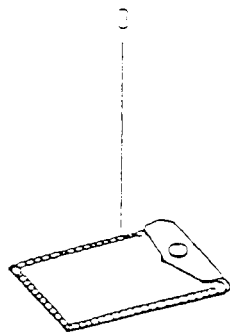
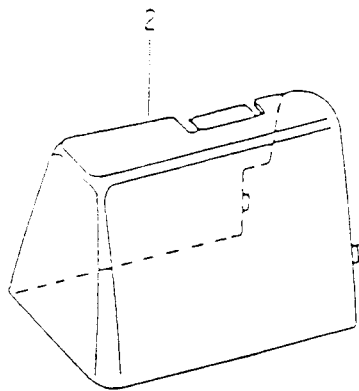


	PART NO.	DESCRIPTION
1	280163	Throat Plate
2	280164	Throat Plate Rubber Seat
3	280165	Throat Plate Guide Pin
4	409285	Throat Plate Plunger
5	540104	Throat Plate Plunger Spring
6	543801-005	Throat Plate Plunger Ring
7	280166	Bed Slide
8	280167	Bed Slide Pin
9	544170-001	Rotating Hook Bobbin Case Retaining Plate Stud
10	381890	Rotating Hook Bobbin Case Retaining Plate
11	319735	Rotating Hook Bobbin Case Retaining Plate Spring
12	381728	Rotating Hook Bobbin Case Retaining Plate Stud Washer
13	541161	Rotating Hook Bobbin Case Retaining Plate Stud Nut (2)
14	172336	Rotating Hook Bobbin
15	421325-002	Rotating Hook Bobbin Case Cpl.
16	280168	Rotating Hook
17	280169	Rotating Hook Thrust Washer
18	280170	Rotating Hook Shaft Bushing
19	280440	Rotating Hook Shaft Bushing Screw
20	280171	Rotating Hook Shaft Bushing Thrust Washer
21	280172	Rotating Hook Gear
22	280423	Rotating Hook Gear Screw (2)
23	44873-001	Rotating Hook Bobbin Case Position Plate
24	544225-071	Rotating Hook Bobbin Case Position Plate Screw (3)
25	280173	Bed Slide Spring



PART NO.	DESCRIPTION
1 280174	Lamp With Cord
2 280175	Lamp
3 280176	Lamp Socket Bracket
4 280440	Lamp Socket Bracket Screw (2)
5 280447	Lamp Socket Screw
6 540899	Cord Retainer (3)
7 280177	Power Switch With Cord
8 280178	Power Switch Bracket
9 544220-003	Power Switch Bracket Screw (2)
10 544187	Power Switch Screw (2)
11 280179	Power Switch Knob
12 542817	Three Pin Terminal
13 280180	Three Pin Terminal Bracket
14 542811	Three Pin Terminal Fixed Ring
15 408098	Three Pin Terminal Bracket Screw Washer (2)
16 544219-002	Three Pin Terminal Bracket Screw (2)
17 280181	Motor Cpl.
18 280448	Motor Bracket Screw
19 280181	Motor Bracket Screw Washer
20 280449	Motor Bracket Hinge Screw
21 280442	Motor Bracket Hinge Screw Set Screw
22 280182	Controller
23 280183	Controller Case







PART NO.	DESCRIPTION
2 280184	Machine Cover (hard case)
3 409400-900	Accessory Bag
7 280185	Presser Foot for Zipper Sewing
8 280186	Presser Foot for Overedge Sewing
9 280187	Presser Foot for Buttonhole Sewing
10 353364	Needle Pack
11 543135	Seam Ripper
12 161295-451	Driver (small)
13 413848-455	Arm Top Cover Spool Thread Lead-off
14 172336	Rotating Hook Bobbin (4)
15 379293-002	Instruction Book