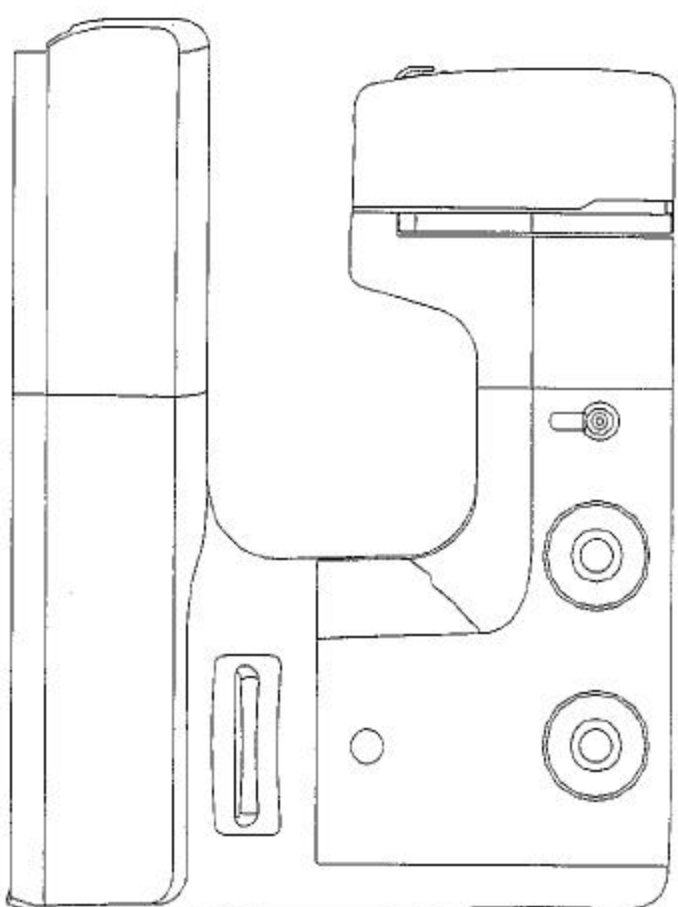


Parts List



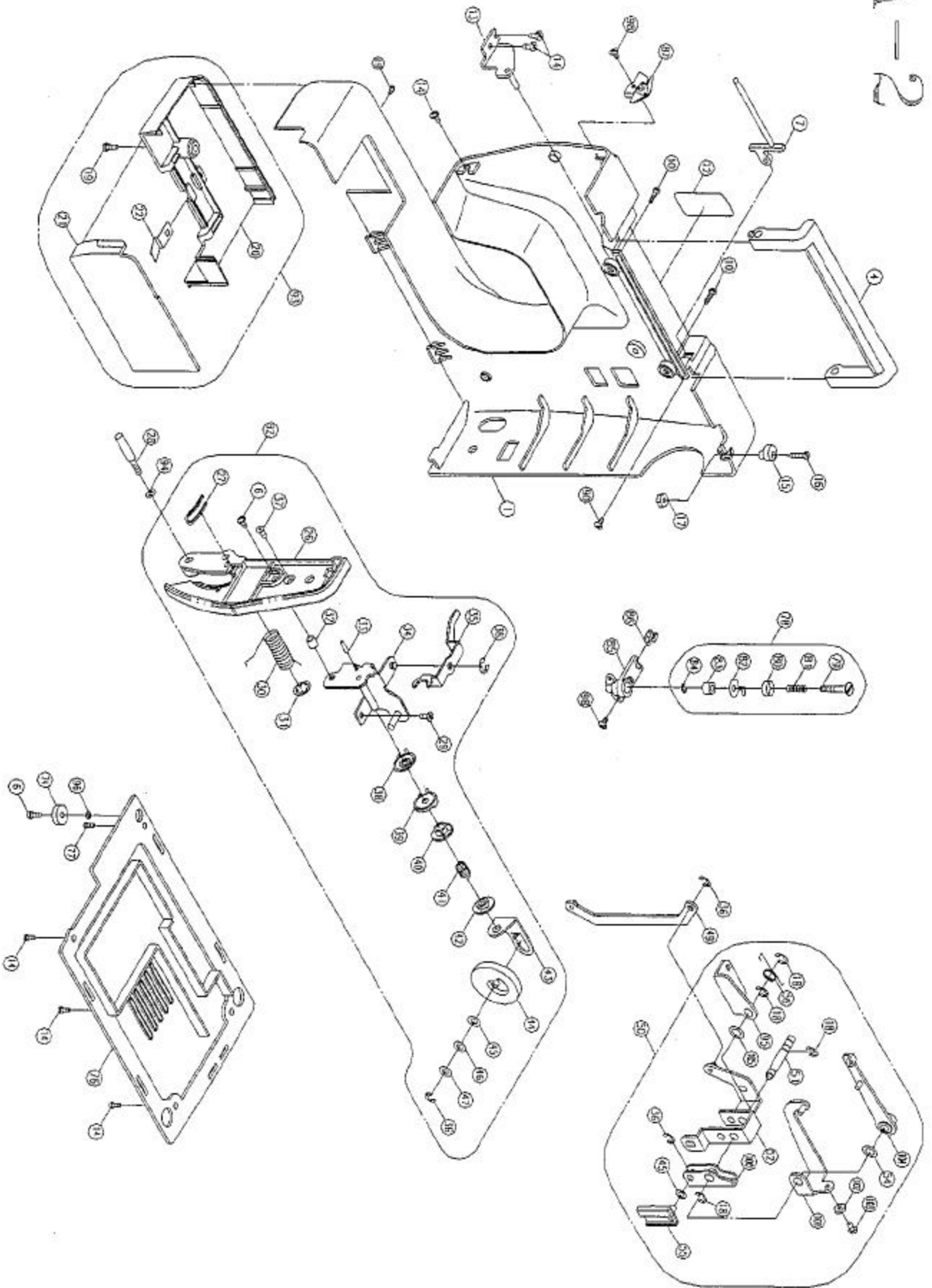
SINGER®

Model 1725

(Model 8275)

029800033 (1版)

A-2



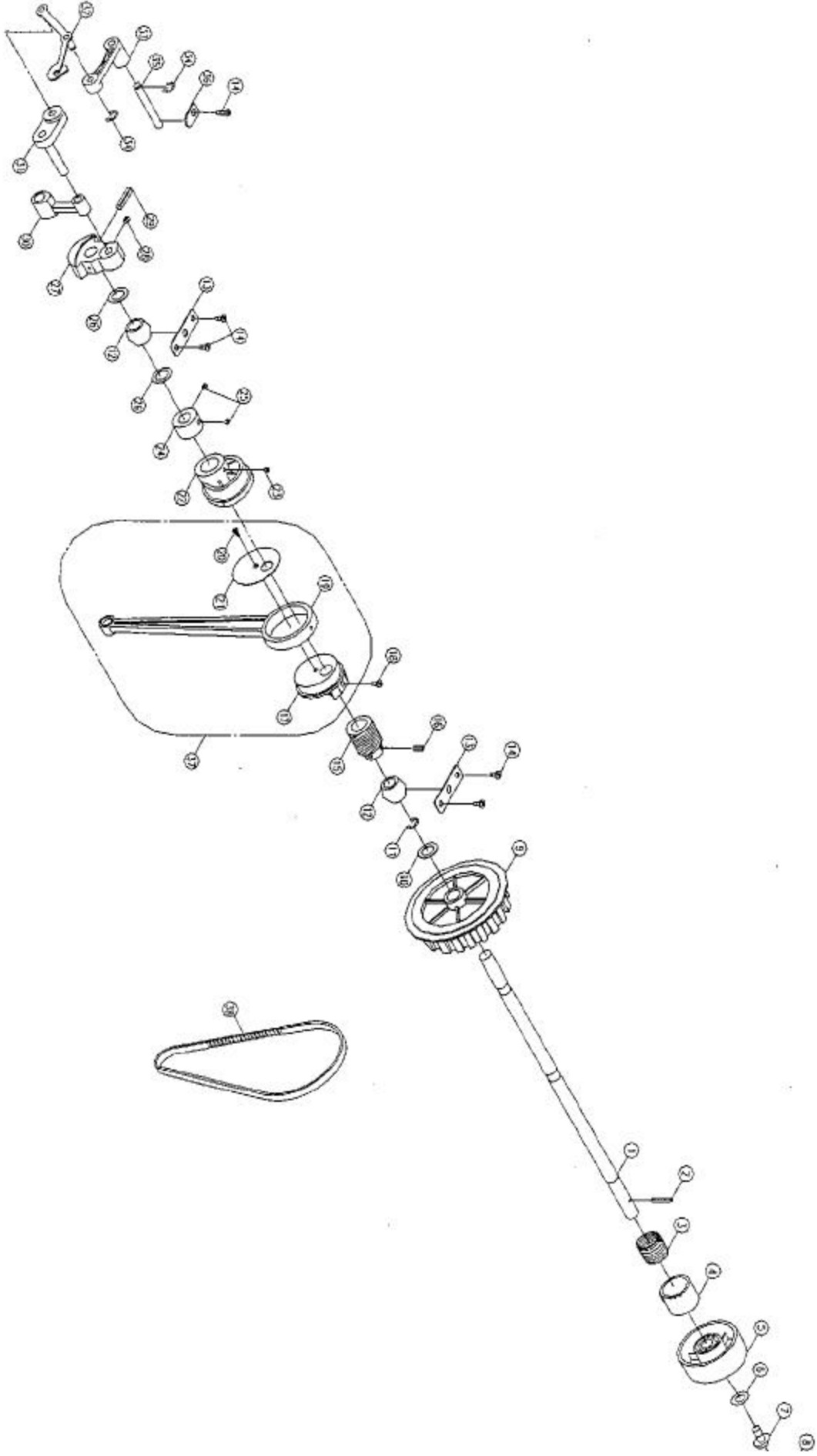
No.	Part No.	Description	中文名稱
1	V610123210	Back cover	上臂後蓋
2	VE70203210	Front cover	上臂前蓋
3	004230483	Set screw (M3*4 C)	螺絲(M3*4 C 內六角)
4	V610243210	Handle	把手
5	004300096	Washer (4*8*0.5)	墊圈 (4*8*0.5)
6	004240146	Set screw (M4*1.5 B)	螺絲 (M4*1.5 B 小頭)
7	V610443210	Spool pin base	線輪標台
8	VE78793210	Zig zag dial	間度轉盤
9	VE79993891	Front plate	前蓋飾板
10	004240186	Set screw (M4*1.5 B)	螺絲(M4*1.5 自攻螺尾 B 小頭)
11	V61503891	Plate (1)	作業孔飾板 (1)
12	V61523210	Plate (2)	作業孔飾板 (2)
13	V61253006	Handle bracket	把手支架
14	004240106	Set screw (M4*8 A)	螺絲 (M4*8 A 大頭)
15	E1A2393000	Bobbin winder stopper	捲線轉固定軸
16	004106162	Set screw (9/64*40*16 B)	螺絲 (9/64*40*16 B 小頭)
17	004706013	Nut (9/64*40 t=3)	螺帽 (9/64*40 t=3)
18	003010063	E-ring (ETW-6)	E 型止輪 (ETW-6)
19	004240046	Set screw (M4*10 B)	螺絲 (M4*10 B 小頭)
20	V610273210	Bed cover	床蓋
21	V610283210	Hook cover	開閉蓋
22	R12453002	Hook cover spring	開閉蓋彈簧
23	V670085210	Sewing table complete	補助板組
24	V670083210	Sewing table body	補助板本體
25	V610323210	Sewing table body cover	補助板蓋
26	VE70093210	Dial tension supporter plate cover	上系調節本台蓋
27	V61873001	Thread guide	導線環
28	004240982	Set screw (M4)	段螺絲 (4)
29	004240056	Set screw (M4*6 B)	螺絲 (M4*6 B 小頭)
30	V60303000	Thread guide spring	上系彈簧
31	003020453	Thread guide spring washer (C-4.5)	CS 扣環 (C-4.5)
32	H11103001	Dial tension guide spring tube	上系調節器彈簧管
33	003043010	Hand wheel bushing pin (3*10)	彈簧銷 (3*10)
34	V60243002	Dial tension supporter plate	上系調節器本台
35	V60263003	Dial tension wait plate	彈簧板
36	003010043	E-ring (ETW-4)	E 型止輪 (ETW-4)

No.	Part No.	Description	中文名稱
37	004240176	Set screw (M4*6)	螺絲 (M4*6 圓平)
38	J30433001	Dial tension disc (2)	上系調節器彈簧板 (2)
39	J30423001	Dial tension disc (1)	上系調節器彈簧板 (1)
40	R10593000	Dial tension spring regulator	上系調節器彈簧調整器
41	NB1083000	Dial tension spring	上系彈簧
42	K50193000	Dial tension regulator	上系調節器彈簧座
43	V60273006	Dial tension spring plate	上系彈簧彈簧板
44	VE7779210	Dial tension knob	上系調節鈕
45	004300713	Washer (5.2*10*0.2)	墊圈 (5.2*10*0.2)
46	004500360	Washer (WW-5)	波型墊圈 (WW-5)
47	004300643	Washer (5.2*10*0.5)	墊圈 (5.2*10*0.5)
48	003010033	E-Ring (ETW-3)	E 型止輪 (ETW-3)
49	VE40113003	Rod	系繩連桿
50	VE40124000	Zig zag width regulating cam box	間度調節器組
51	VE40253000	Zig zag cam control supporter shaft	間度調節器軸
52	VE40153003	Zig zag regulator crank	間度調節器
53	003010053	E-Ring (ETW-5)	E 型止輪 (ETW-5)
54	004300936	Washer (8.2*12*0.5)	墊圈 (8.2*12*0.5)
55	VZ50273002	Zig zag width regulating cam box	間度調節器
56	VE40453003	Zig zag width spring	間度調節器彈簧
57	VE40314000	Zig zag width cam complete	間度凸輪組
58	VE40393003	Zig zag width dial plate	間度轉鈕台板
59	VE40353003	Zig zag width crank	間度盤
60	003043008	Spring pin (3*8*0.6)	彈簧銷 (3*8*0.6)
61	004240056	Set screw (M4*6 B)	螺絲 (M4*6 B 小頭)
62	VE40313003	Zig zag width cam	間度凸輪
63	V640273006	Zig zag width crank rod	間度彈連桿
64	V840064000	Bobbin winder frame complete	捲線器組
65	V640105006	Bobbin winder frame	捲線器台組
66	V61185000*	Bobbin winder crank complete	捲線器輔助彈簧
67	V61563903*	Bobbin winder crank spring	捲線器輔助彈簧
68	F20213000*	Bobbin winder rubber pulley	捲線器橡膠輪
69	V630193000	Feed regulator gear	縫百中間齒輪
70	VE79293210	Feed regulator dial	縫目轉盤
71	V640123000	Feed regulator cam	縫目凸輪
72	003010046	E-Ring (ETW-4)	E 型止輪 (ETW-4)

No.	Part No.	Description	中文名稱
73	003020053	CS ring	CS 扣環 (CSTW-5)
74	J31413000	Free arm base felt	底座皮棉膠墊
75	VE7193210	Face plate	面板
76	V61383323	Plate	底板
77	004230016	Set screw (M3*6 A)	螺絲(M3*6 A 大頭)
78	V610195000	Bobbin winder thread guide complete	捲線導板組
79	V610213001	Bobbin winder thread guide adjusting screw	捲線導板螺絲
80	H13133001	Bobbin winder spring disc	導板彈簧座
81	H13153001	Bobbin winder thread guide spring	支持彈簧
82	V610223001	Bobbin winder thread guide	捲線導板
83	V610233006	Spacer	捲線導板擋塞
84	003010036	E-Ring (ETW-3)	E 型止輪(E-3)
85	V610203210	Bobbin winder thread guide base	導線導板座
86	V610363001	Thread guide	中間導板
87	V610155000	Thread guide complete	上線導板組
88	V630593000	Thread cutter	刀片
89	VE40395000	Zig zag width dial complete	調整轉鈕台板組
90	004230646	Set screw (M3*16.7 B)	螺絲(M3*16.7 B 小頭)
91	V61403000	Heat resistant plate	面板隔熱板
92	VE70095210	Dial tension supporter plate complete	上系調節器組
93	V610264210	Free arm base complete	底座蓋組
94	004300136	Washer (4.2*8*0.8)	墊圈(4.2*8*0.8)
95	VE40133003	Zig zag width regulating cam plate	回板調節器台板
96	004301133	Washer (4.2*20*1)	墊圈(4.2*20*1)
97	004240503	Set screw (M4*4 C)	螺絲(M4*4 C 內六角)
98	004230326	Set screw (M3*12 B)	螺絲(M3*12 B 直攻螺絲)
99	VE70093210	Needle position button	基點組
100	VZ50263003	Needle position crank	基點調節腕
101	VE40193003	Needle position regulate crank	調整固定螺帽(ALN-4)
102	004840106	Nut (ALN-4)	螺絲(M4*10 B 小頭)
103	004240046	Set screw (M4*10 B)	螺絲(M4*10 B 小頭)
104	VE40215000	Basic point position complete	基點位置桿組
105	004300843	Washer (7.2*12*1)	墊圈(7.2*12*1)
106	VE70044000	Needle position plate complete	基點台組
107	VE40293003	Needle position dial plate	基點轉鈕台板
108	VE70013003	Needle position dial shaft	基點轉軸

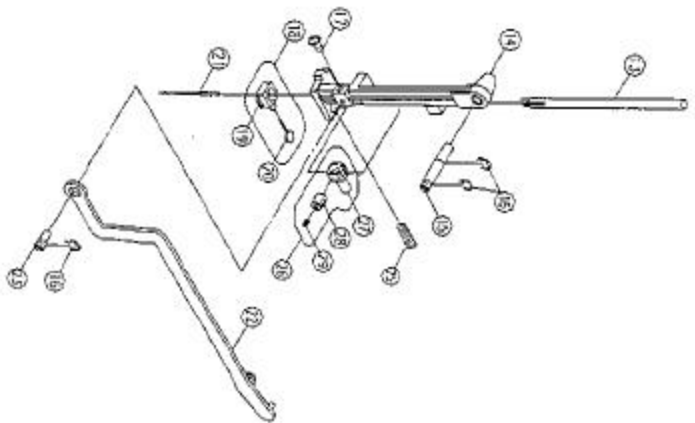
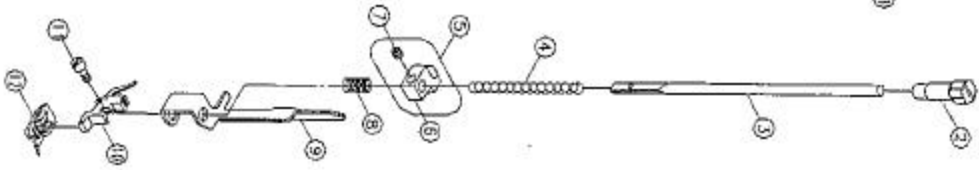
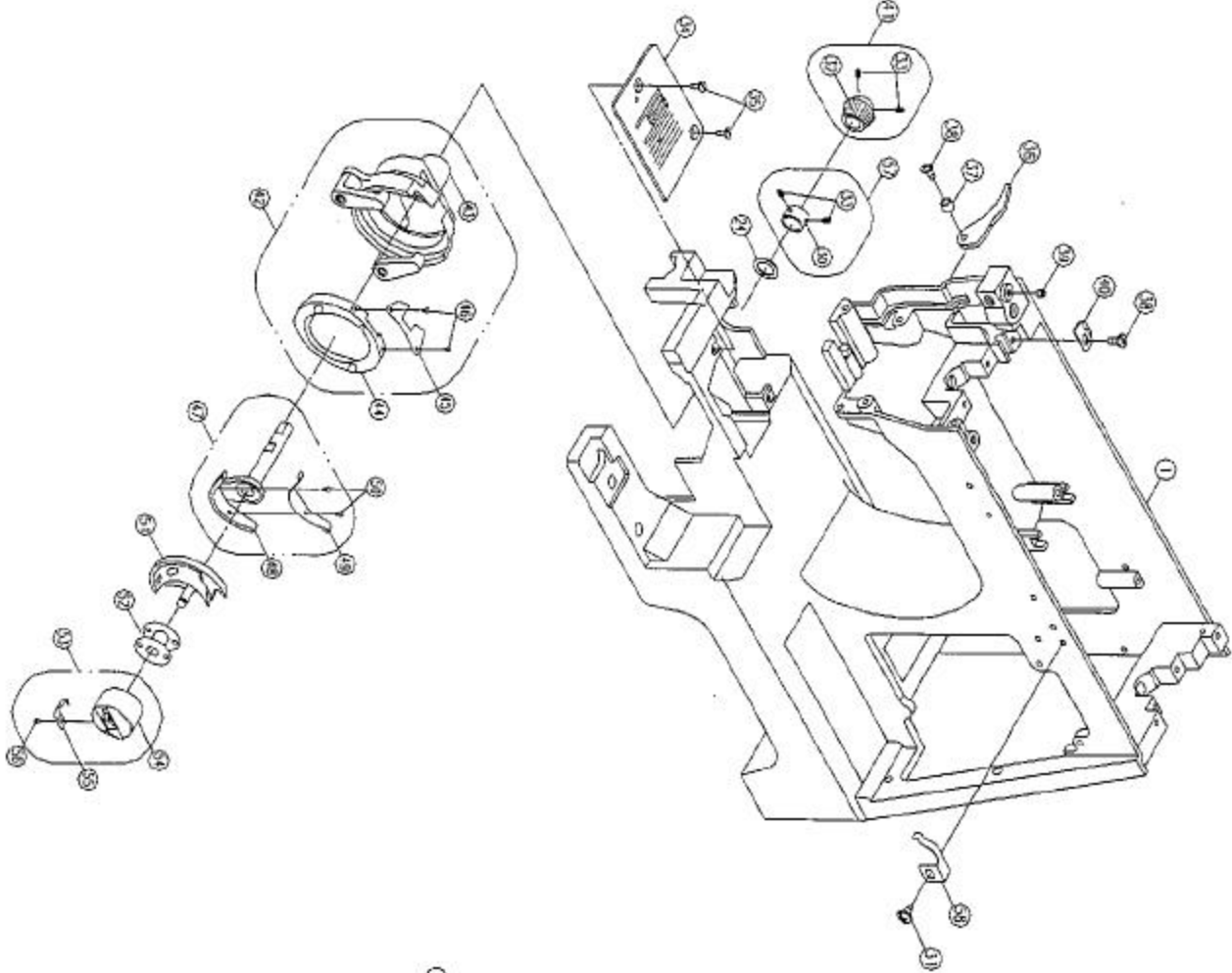
No.	Part No.	Description	中文名稱
109	VE40273003	Needle position rod	基點作動桿
110	004300396	Washer(6.2*14*1)	墊圈(6.2*14*1)
111	003011052	E-Ring(ETW-5)	E 型止輪(E-5)
112	004240223	Set screw (M4*6 C)	螺絲(M4*6 C 內六角)
113	Q46493210	Plate	基點轉鈕台板
114	Z70105000	Collar complete	止環組
115	Z70103003	Collar	止環
116	V60533003	Feed dog frame spring	傳送齒台彈簧
117	VZ50423003	Needle position spring	基點彈簧
118	008465000	Sticker	提醒指示圖點貼紙
119	F30103210	Pattern display window	提醒顯示窗

B



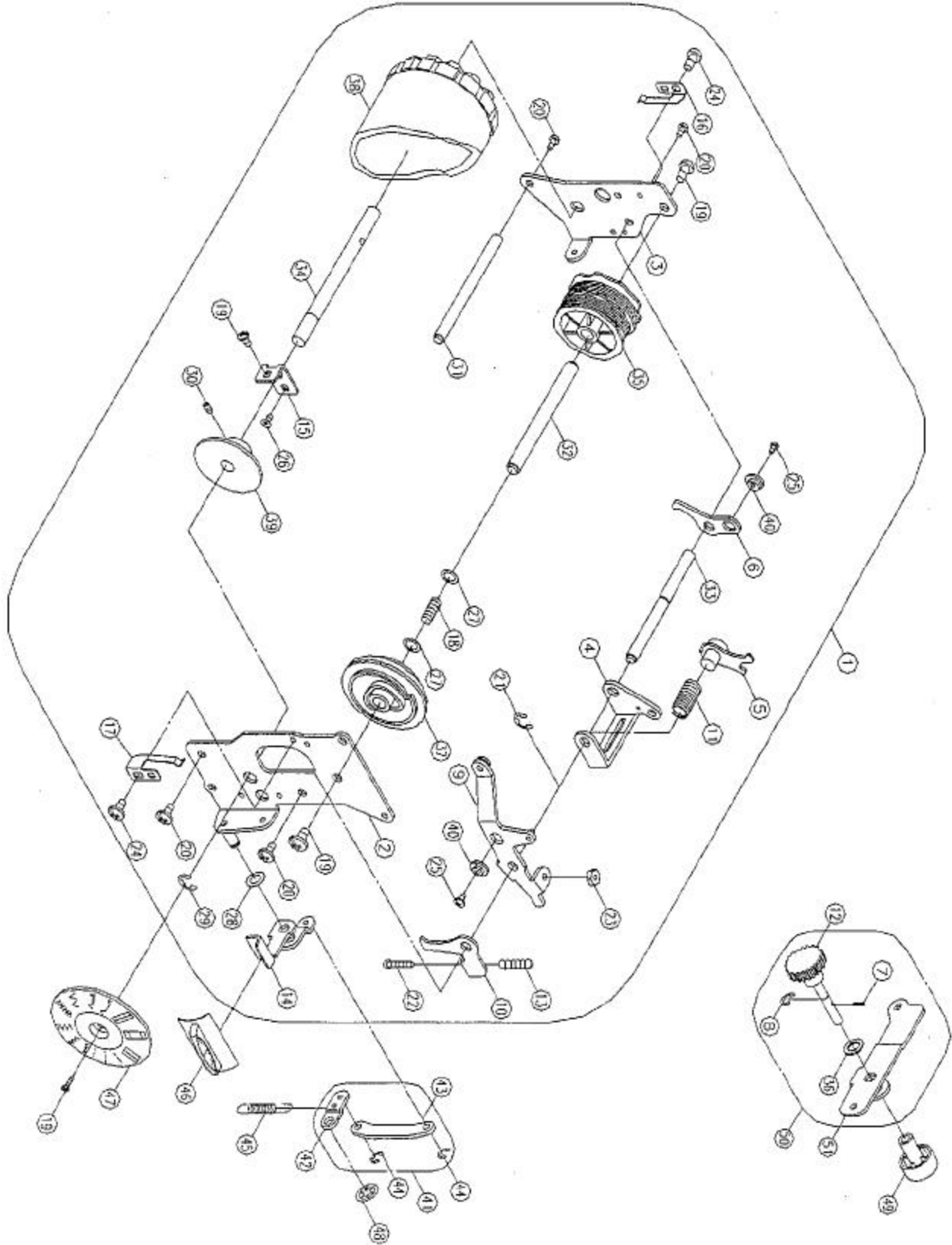
No.	Part No.	Description	中文名稱
1	V60033000	Arm shaft	上軸
2	003043018	Spring pin (3*18)	彈簧銷 (3*18)
3	R10393000	Arm shaft clutch annulus spring	聯合彈簧
4	R10403000	Arm shaft collar	上軸聯合止環
5	V10183210	Hand wheel	飛輪
6	004300586	Hand wheel washer (5.2*16*1)	飛輪墊圈 (5.2*16*1)
7	004250346	Hand wheel set screw (M5*10)	螺絲 (M5*10 半頭)
8	V16693210	Hand wheel decorated plate	飛輪飾板
9	E4A0143210	Arm shaft drive belt pulley	上輪驅動皮帶輪
10	004300853	Washer (10.2*15*0.5)	墊圈 (10.2*15*0.5)
11	003010093	E-ring (ETW-9)	E型止輪 (ETW-9)
12	R10293000	Arm shaft bushing	上輪軸套
13	V60113003	Arm shaft bushing holder plate	上輪軸套押板
14	004240106	Set screw (M4*6)	螺絲 (M4*6 A 大頭)
15	V60093000	Arm shaft worm	上輪蝸輪
16	004240033	Set screw (M4*5)	螺絲 (M4*5 C) 內六角
17	V60053000	Crank connecting rod cam	立連桿凸輪
18	004107063	Set screw (11/64*40*12)	螺絲 (11/64*40*12)
19	V60063000	Crank connecting rod	立連桿
20	004240056	Set screw (M4*5)	螺絲 (M4*6 B)
21	V60073003	Crank connecting rod cover	立連桿蓋
22	G4A0533000*	Feed cam	傳送凸輪
23	004240503*	Set screw (M4*4)	螺絲 (M4*4 C) 內六角
24	R10313000	Arm shaft collar	上軸止環
25	004250203	Set screw (M5*5)	螺絲 (M5*5 C) 內六角
26	004400080	Endure attrition washer (10.2*16*0.5)	耐磨墊圈 (10.2*16*0.5)
27	V61473000	Arm shaft balance	搖線桿平衡塊
28	004240223	Set screw (M4*6)	螺絲 (M4*6 C) 內六角
29	003043524	Arm shaft balance pin (3.5*24)	搖線桿平衡螺絲 (3.5*24)
30	V60193000	Needle bar crank rod	針挑運動桿
31	V10543000	Arm shaft balance pin	搖線桿 90° 銷
32	E1A2513001	Thread take up lever	搖線桿
33	V10523000	Thread take up lever supporter	搖線桿支體
34	003010043	E-ring (ETW-4)	E型止輪 (ETW-4)
35	V60223003	Thread take up lever supporter shaft	搖線桿支撐軸
36	H13093003	Set washer	把手鎖墊板

No.	Part No.	Description	中文名稱
37	V60045000	Crank connecting rod complete	立連桿組
38	007156470	Motor drive belt (B156XXL6.1)	正時皮帶



No.	Part No.	Description	中文名稱
1	VE40013000	Arm	上臂底座
2	V620163210	Presser bar regulating screw	押牙調節螺絲
3	V70153000	Presser bar	押棒
4	V70163003*	Presser bar spring	押棒彈簧
5	H10525000	Presser bar bracket complete	押棒固定彈架組
6	H10533002	Presser bar bracket	押棒固定彈架
7	004260023	Set screw (M6*5)	螺絲(M6*5 C 內六角)
8	H10723003*	Tension lever lifter spring	鬆線帶動板彈簧
9	V60153003	Tension lever lifter	鬆線帶動板
10	006910008	Shank complete	彈布腳上座組
11	004166221	Shank complete screw (9/64*10 1/8)	彈布腳組螺絲
12	006806008	Zig zag presser foot complete (J)	萬能押布腳組(J)
13	V70133000	Needle bar	針棒
14	V61973002	Needle bar supporter	針棒支撐
15	N80223003	Needle bar supporter pin	針棒支撐銷
16	003010053	E-ring (ETW-5)	E型止輪(ETW-5)
17	004106233	Set screw (9/64*40*5)	螺絲(9/64*40*5 A)
18	G10245000	Needle clamp complete	針架組
19	TA11033002	Needle clamp	針架
20	G10176002	Needle clamp set screw	針架螺絲(扁)
21	006176008	Needle (2020)	扁空針(2020)
22	VZ50193003	Needle bar driving rod	針棒引棒
23	M30083000	Needle bar driving rod pin	針棒引棒圓心銷
24	004400210	Endure attrition washer (8.2*16*0.5)	耐磨墊圈(8.2*16*0.5)
25	H50583003*	Needle bar supporter spring	針棒支撐彈簧
26	H10195000*	Needle bar bracket complete	針棒架組
27	H10253000*	Needle bar bracket (1)	針棒架(1)
28	H10263000*	Needle bar bracket (2)	針棒架(2)
29	004240503*	Set screw (M4*0.7*4 C)	螺絲(M4*0.7*4 C)
30	H71153003	Shuttle driver shaft collar	大梭殼蓋止環
31	004240106	Set screw (M4*8 A)	螺絲(M4*8 A 大頭)
32	V620233000	Shuttle driver shaft gear	撥梭器軸齒輪
33	004107293	Set screw (11/64*40*4)	螺絲(11/64*40*4 C 內六角)
34	V620033001	Needle plate	針板
35	004240651	Needle plate complete set screw (M4)	針板螺絲(M4*6 圓頭)
36	V10333000	Presser bar lifter lever	押棒上下桿

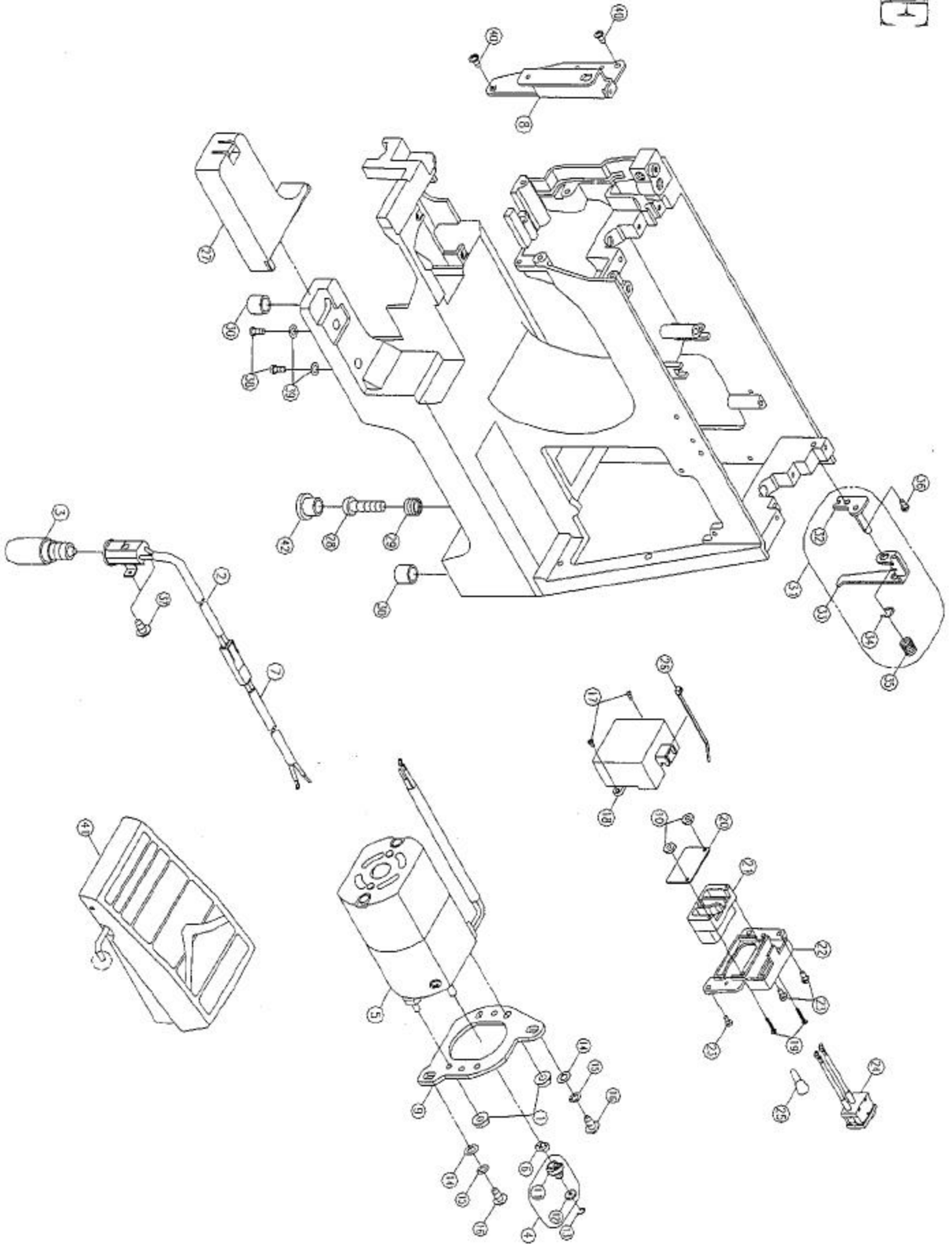
No.	Part No.	Description	中文名稱
37	V60163000	Presser bar lifter lever screw washer	押棒上下桿螺絲墊
38	004240106	Set screw (M4*8 A)	螺絲(M4*8 A)
39	004240033	Set screw (M4*5)	螺絲(M4*5 C)
40	V60143003	Tension lever regulating plate	鬆線調節板
41	V61745000	Shuttle driver shaft gear	撥梭器軸齒輪組
42	V10995000	Open shuttle race complete	大空錐(半迴轉)
43	V11003002*	Open shuttle race	大空
44	V11573001*	Shuttle hook holder	大梭殼蓋
45	V11583002*	Shuttle hook holder spring	大梭殼蓋上彈簧片
46	H71093003*	Shuttle hook holder spring screw	大梭殼蓋上彈簧片螺絲
47	K81125000	Shuttle driver complete	撥梭器組
48	K81123002*	Shuttle driver	撥梭器
49	K81143003*	Shuttle driver spring	撥梭器彈簧
50	004103043*	Shuttle driver spring screw	撥梭器彈簧螺絲
51	H71173000	Shuttle hook (4.6mm)	中梭(4.6mm)
52	006049009	Bobbin	梭線輪(半迴轉)塑膠
53	H71185000	Bobbin case complete	梭線盒組(半迴轉)
54	H71186001*	Bobbin case	梭線盒
55	H13903001*	Bobbin case spring	梭線盒彈簧
56	H13973002*	Bobbin case spring set screw	梭線盒彈簧螺絲(大)
57	H71155000	Shuttle driver shaft collar complete	大梭殼蓋止環組
58	VE40373003	Position plate	基準定位板



No.	Part No.	Description	中文名稱
1	VE70034000	Pattern cam contact complete	撥碼台組
2	V60613003	Pattern cam contact plate (front)	撥碼台(前)
3	V60633003	Pattern cam contact plate (back)	撥碼台(後)
4	VE40093003	Zig zag cam contact supporter	隨度撥碼子支持台
5	V60713003	Zig zag cam contact	隨度撥碼子
6	V60723003	Zig zag regulator plate	隨度調節板
7	003042512	Spring pin (φ2.5*12)	彈簧銷 (φ2.5*12)
8	003010063	E-Ring (ETW-6)	E型止輪(E-6)
9	V810073003	Feed regulator crank	傳送調節柄
10	V810153003	BH regulator plate	BH調節板
11	V106933003	Zig zag cam contact spring	隨度撥碼子彈簧
12	R11103003	Selector dial shaft	選擇轉盤軸(TZ)
13	V60813003	BH spring	BH彈簧
14	V670033003	Reverse lever	後退桿
15	V60853003	Pattern selector cam plate	選擇凸輪固定板
16	V60873003	Pattern plate	撥碼定位板
17	V608833003	Feed regulator	註目定位板
18	V11603003	Pattern cam shaft spring	撥碼凸輪軸彈簧
19	004240106	Set screw (M4*8 A)	螺絲 (M4*8 A)
20	004230016	Set screw (M3*6 A)	螺絲 (M3*6 A)
21	003010053	E-Ring (ETW-5)	E型止輪 (E-5)
22	004240706	Set screw	六角頭螺絲
23	004840106	Nut (ALN-4)	螺帽 (ALN-4)
24	004240056	Set screw (M4*6 B)	螺絲 (M4*6 B)
25	004230316	Set screw (M3*10 B)	螺絲 (M3*10 B)
26	004240166	Set screw (M4*8)	螺絲 (M4*8 自攻型)
27	004300823	Washer (8.2*12*0.25)	墊圈(8.2*12*0.25)
28	004300186	Set screw (6.2*12*0.5)	墊圈(6.2*12*0.5)
29	003010063	E-Ring (ETW-6)	E型止輪 (E-6)
30	004240503	Set screw (M4*4 C)	螺絲 (M4*4 C)
31	V60823003	Pattern cam contact supporter shaft	撥碼台支持軸
32	V60643003	Pattern cam shaft	撥碼凸輪軸
33	V60693000	Zig zag cam contact supporter shaft	隨度撥碼子支持台軸
34	V60833003	Pattern selector cam shaft	選擇凸輪軸
35	V90023000	Pattern cam	撥碼凸輪
36	004300843	Washer dial shaft (7.2*12*1)	墊圈(7.2*12*1)

No.	Part No.	Description	中文名稱
37	V60683000	Feed regulator cam	註目凸輪
38	VE40053000	Pattern selector cam	選擇凸輪
39	VE40073000	BH pattern selector cam	BH選擇凸輪
40	V60733000	Zig zag regulator nut	隨度調節具
41	V60934000	Reverse plate complete	後退支架組
42	V60943003	Reverse plate	後退支板
43	V60953003	Reverse rod	後退連桿
44	003010036	E-Ring (ETW-3)	E型止輪 (E-3)
45	M70093000	Spring	自動穿線器彈簧
46	V670123210	Reverse button	後退鈕
47	VE78293210	Pattern display pulley	撥碼表示輪
48	003020053	CS-Ring (cstw-5)	CS扣環(CSTW-5)
49	V61453210	Selector dial	選擇轉盤
50	V60914000	Selector dial complete	選擇轉盤台組
51	V60923003	Selector dial plate	選擇轉盤台

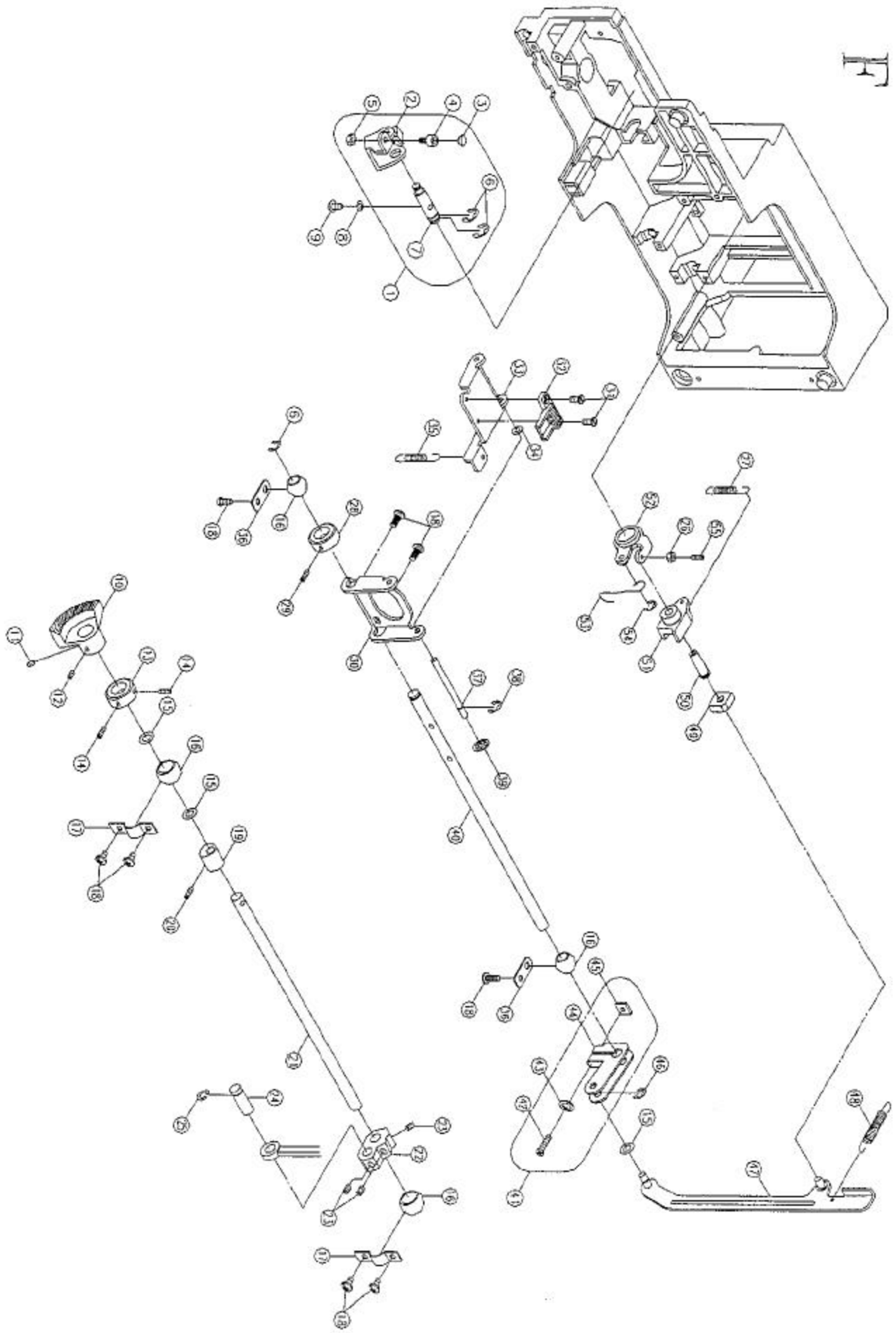
F



No.	Part No.	Description	中文名稱
1	004840051	Nut (M4 I=5)	馬達固定螺母(M4 I=5)
2	002433418	Lampholder complete (only for 120V)	電燈組(美加向日本)電子式
3	005120021	Lamp(100V 10W)	燈泡(100V 10W)
4	002396028	Bell wheel complete	正時皮帶輪組
5	001326409	Motor complete (for 120V)3M-6921S602H-C	馬達(120V)美向
6	008059302	Cushion rubber	馬達傳動齒輪墊(全)
7	002434618	Lead wire ass'y	連接線組(美日向)
8	V61283006	Lamp bracket	燈座固定板
9	002397025	Motor bracket	馬達固定板
10	004830015	Nut (M3 I=2.3)	螺絲(M=3 I=2.3)
11	002396029*	Bell wheel	正時皮帶輪
12	002145029	Motor feed regulator collar	馬達傳送齒輪環片
13	003010036	E-Ring (ETW-3)	E型止輪(E-3)
14	004300306	Washer (5.4*10*0.9)	墊圈(5.4*10*0.9)
15	004600296	Spring washer (5.2*9*1)	彈簧墊圈(5.2*9*1)
16	004250086	Set screw (M5*12)	馬達組螺絲(M5*12)
17	004230286	Set screw (M3*8 B)	螺絲(M3*8 B 小頭)
18	002248129	Receptacle holder cover	插座支架蓋(歐洲向)
19	004230045	Set screw (M3*20)	螺絲(M3*20)
20	002254129	Concent insulation plate	絕緣板
21	002253129	Receptacle	插座(3SRF-2)
22	002252129	Receptacle holder	插座支架(TZ)
23	004240066	Set screw(M4*8)	螺絲(M4*8)
24	002253129	Switch ass'y	插座(歐美)
25	AA0463000	End ferrind	端線接頭
26	002027129	Card clip	鎖式夾帶
27	V610293210	Free arm foot base	底座腳蓋
28	K82133003	Base plate adjustment screw	補助調節足
29	K82073003	Base plate adjustment screw spring	補助調節腳彈簧
30	H70043000	Free arm base cushion rubber	底座高橡膠墊
31	V61205003	Clutch rod complete	組合桿台組
32	V61213003	Clutch rod plate	組合桿台板
33	V61233003	Clutch rod	組合桿
34	003010046	E-Ring (E-4)	E型止輪(E-4)
35	V61243003*	Clutch rod spring	組合桿彈簧
36	004240056	Set screw (M4*6 B)	螺絲(M4*6 B 小頭)

No.	Part No.	Description	中文名稱
37	004230055	Set screw (M3*5 B)	螺絲(M3*5 B 小頭)
38	004230215	Set screw (M3 8.5)	螺絲(M3 8.5 自攻尖尾)
39	004300136	Wash (4.2*8*0.8)	墊圈(4.2*8*0.8)
40	004240106	Set screw(M4*8 A)	螺絲(M4*8 A 大頭)
41	001325409	Foot controller (4C-3168402) U.S.A.	腳控制器(美向 120V)
42	E1A2503000	Free arm base cushion rubber	底座高橡膠墊

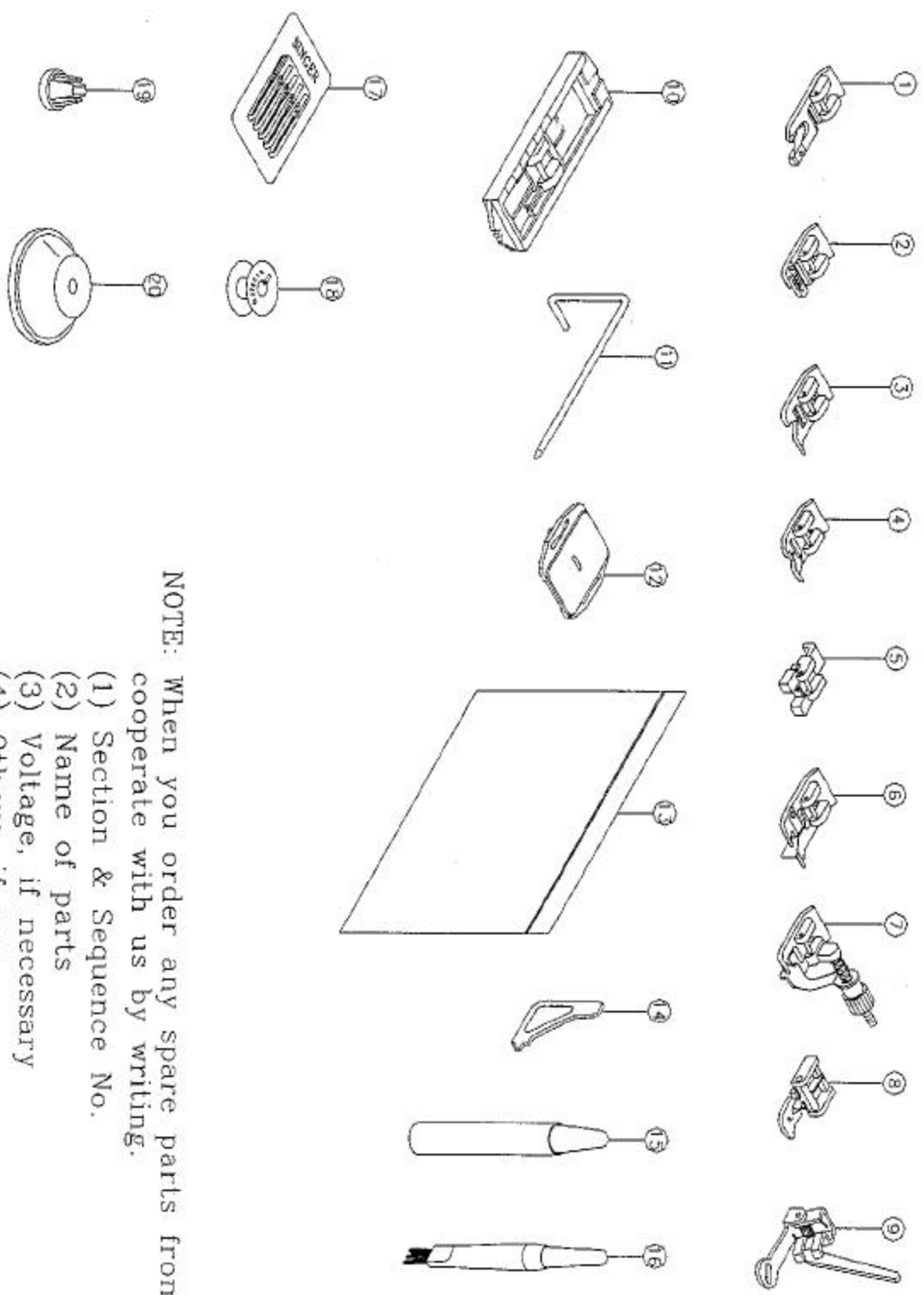
F



No.	Part No.	Description	中文名稱
1	V60574000	Feed lifting rock crank complete	上下傳送開箱
2	V60583003	Feed lifting rock crank	上下傳送軸
3	K91243000*	Saw screw knob	上下調節螺絲蓋
4	004250323	Saw screw	上下調節螺絲
5	004840022	Nut (M4 1=3)	螺帽(M4 1=3)
6	003010063	E-Ring (ETW-6)	E型止輪(E-6)
7	V60593003	Feed lifting rock shaft	上下傳送軸
8	004600026	Washer (4.2*7.2*1.2)	彈簧墊圈(4.2*7.2*1.2)
9	004240146	Set screw (M4*1.5)	螺絲(M4*1.5 B 小頭)
10	V620073000*	Lower shaft gear	下軸大齒輪
11	004111043	Lower shaft gear set screw	螺絲(1/4*40*3.3)
12	004111033	Lower shaft gear set screw	螺絲(1/4*40*4)
13	V11553003	Lower shaft collar	下軸止環
14	004240503	Set screw (M4*4)	螺絲(M4*4 C 內六角)
15	004400410	Endure attrition washer	耐磨墊圈(8.2*12*0.25)
16	V60343000	Feed rock bushing	水平軸軸承
17	R11643003	Feed rock bushing holder plate	下軸軸承托板
18	004240106	Set screw (M4*6)	螺絲(M4*6 A 大頭)
19	V61533000	Feed lifting rock cam	上下傳送凸輪
20	004240033	Set screw (M4*5)	螺絲(M4*5 C 內六角)
21	V620223000	Lower shaft	下軸
22	V60363000	Crank connecting rod crank	立連桿
23	004250203	Set screw (M5*5)	螺絲(M5*5 C 內六角)
24	V10833003	Crank connecting rod crank pin	上下立連桿關節
25	003010053	E-Ring (ETW-5)	E型止輪(E-5)
26	004706013	Nut (9/64*40 1=3)	螺帽(9/64*40 1=3)
27	V70063003*	Feed regulating spring	傳送調節彈簧
28	H11943003	Pattern cam shaft collar	撥接凸輪軸止環
29	004240503	Set screw (M4*4)	螺絲(M4*4 C 內六角)
30	V60493003	Feed rock frame	水平傳送土台
31	004104012	Set screw (1/8*44*5)	螺絲(1/8*44*5)
32	V620053000	Feet dog	送布齒
33	V60503003	Feed dog frame	送布齒台
34	004300136	Washer (4.2*8*0.8)	墊圈(4.2*8*0.8)
35	V60533003	Feed dog frame spring	傳送齒台彈簧
36	V60563003	Bushing holder plate	水平軸軸承托板

No.	Part No.	Description	中文名稱
37	V60513003	Feed dog frame shaft	傳送齒台軸
38	003010036	E-Ring (ETW-3)	E型止輪(E-3)
39	003090043	Nut (SPN-4)	快速螺帽 (SPN-4)
40	V60483000	Feed rock shaft	水平傳送軸
41	V60544000	Feed rock crank complete	水平傳送開箱
42	004240146	Set screw (M4*1.5 B)	螺絲(M4*1.5 B)
43	004300093	Washer (4*8*0.5)	墊圈(4*8*0.5)
44	V60553003	Feed rock crank	水平傳送軸
45	004840073	Feed rock crank Nut (M4)	水平傳送開螺帽(M4)
46	003010043	E-Ring (ETW-4)	E型止輪(E-4)
47	V60453003*	Flok rod	二又連桿
48	V60463003*	Flok rod spring	二又連桿彈簧
49	V11533000	Feed regulating block	傳送調節滑塊
50	V60443000	Feed regulating shaft	傳送調節軸
51	V60433000	Feed regulating	傳送調節器
52	V60393003	Feed regulating plate	傳送調節板
53	V60423003*	Feed rod	傳送連桿
54	003010046	E-Ring (E-4)	E型止輪(E-4)
55	004106053	Set screw (9/64*40*11)	螺絲(9/64*40*11)

G



NOTE: When you order any spare parts from us, please cooperate with us by writing.

- (1) Section & Sequence No.
- (2) Name of parts
- (3) Voltage, if necessary
- (4) Others, if any
- (5) "*" means: These spare parts are not supplied individually, but can be obtained by minimum quantity at 300 pcs.

No.	Part No.	Description	中文名稱
1	006800008	Hammer foot	槌線器押布腳
2	006810008	Cording foot	縫凸線押布腳
3	006806008	Zig zag foot (J)	萬能押布腳(J)
4	006804008	Satin stitch foot	密著縫押布腳
5	006914008	Button sew-on foot	鈕扣壓線組
6	006803008	Overcasting foot (G)	布線紋押布腳(G)
7	006812008	Blind hem foot (L)	縫暗壓線器(L)
8	006905008	Zipper foot (I)	縫拉鏈押布腳(I)
9	006016008	Embroidery	刺繡押布腳
10	006909008	Buttonhole foot (B)	包十押布腳(活動式)(B)
11	006008001	Quilting bar	縫綉壓線器(定裝綉)
12	006117009	Embroider plate	繡花板(000)
13	006011009	Accessories bag	附件袋
14	006093009	Screw drive (L)	附件起子
15	006013009	Oilier	油瓶
16	006099008	Brush & seam ripper complete	割布刀組(含刷子)
17	006175008	Needle (14#, 16#, 11#)	壓家針(2050)5 支裝
18	006066008	Bobbins	梭線輪
19	TA10943209	Spool set plate (small)	梭輪固定蓋(小)
20	R12373210	Spool set plate (big)	梭輪固定蓋(T2)(大)