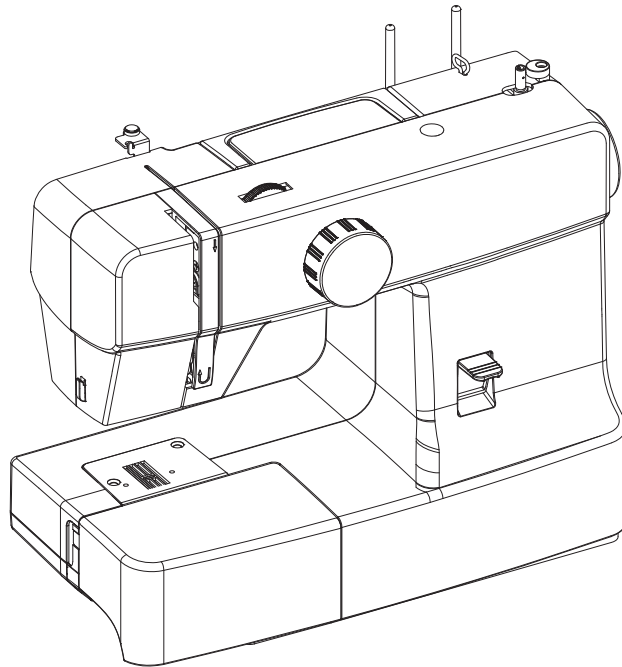




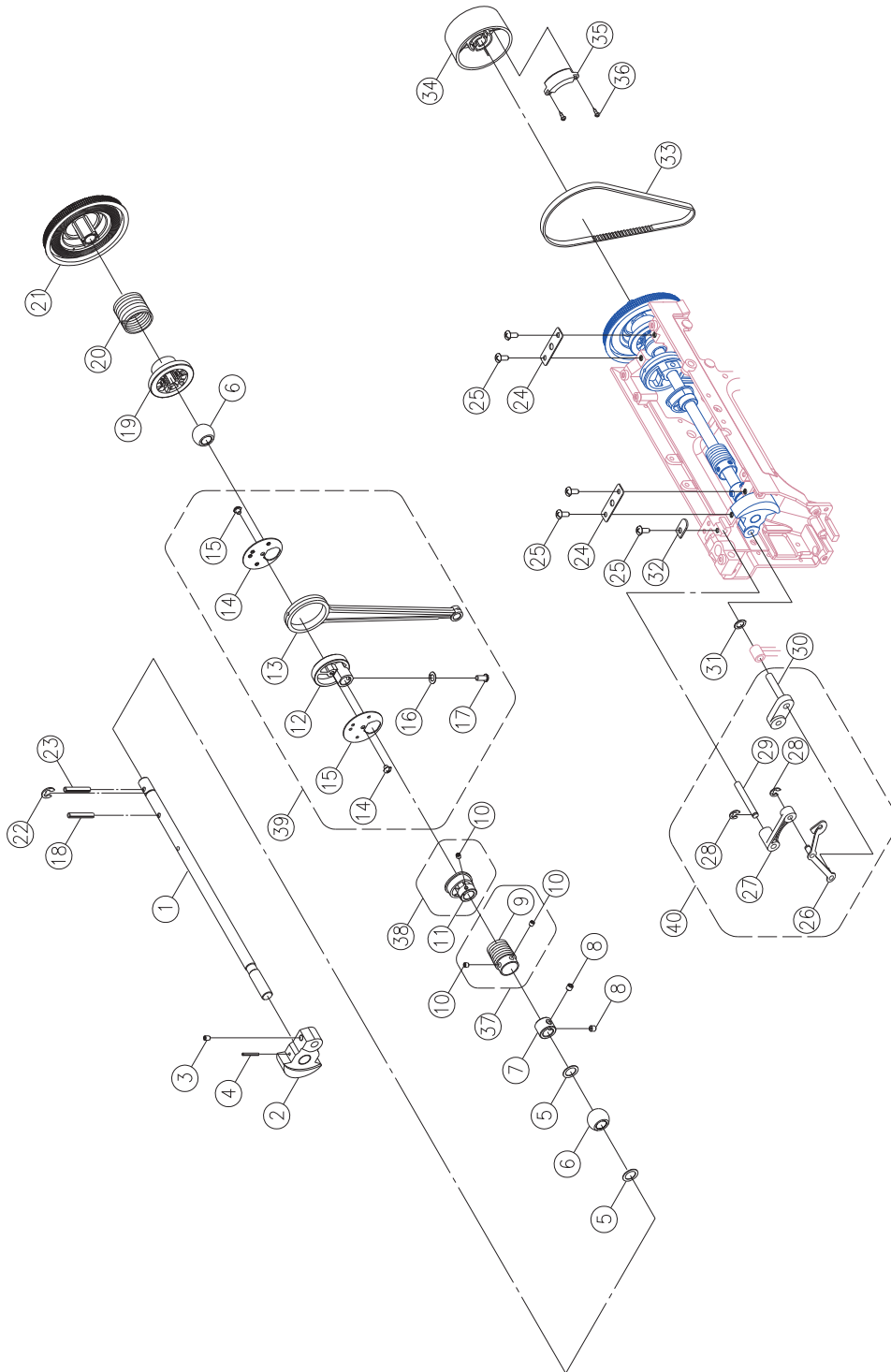
1512



Liste de pièces
Lista de Piezas
Parts List

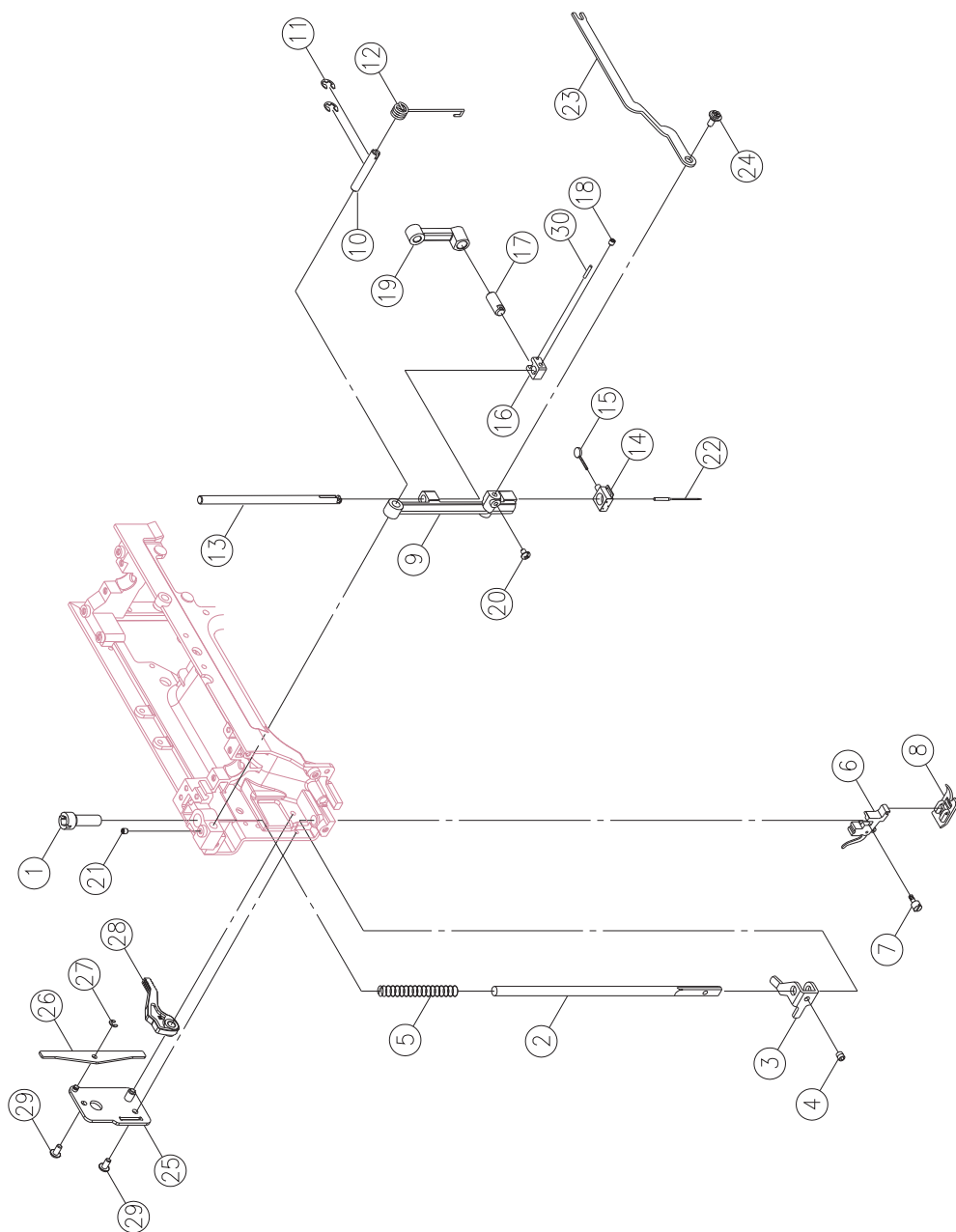
® A registered trademark of The Singer Company Ltd. or its affiliates.
® *Una marca registrada de The Singer Company Ltd. o sus afiliados.*
® *Une marca déposée de The Singer Company Ltd. ou ses filiales.*

A

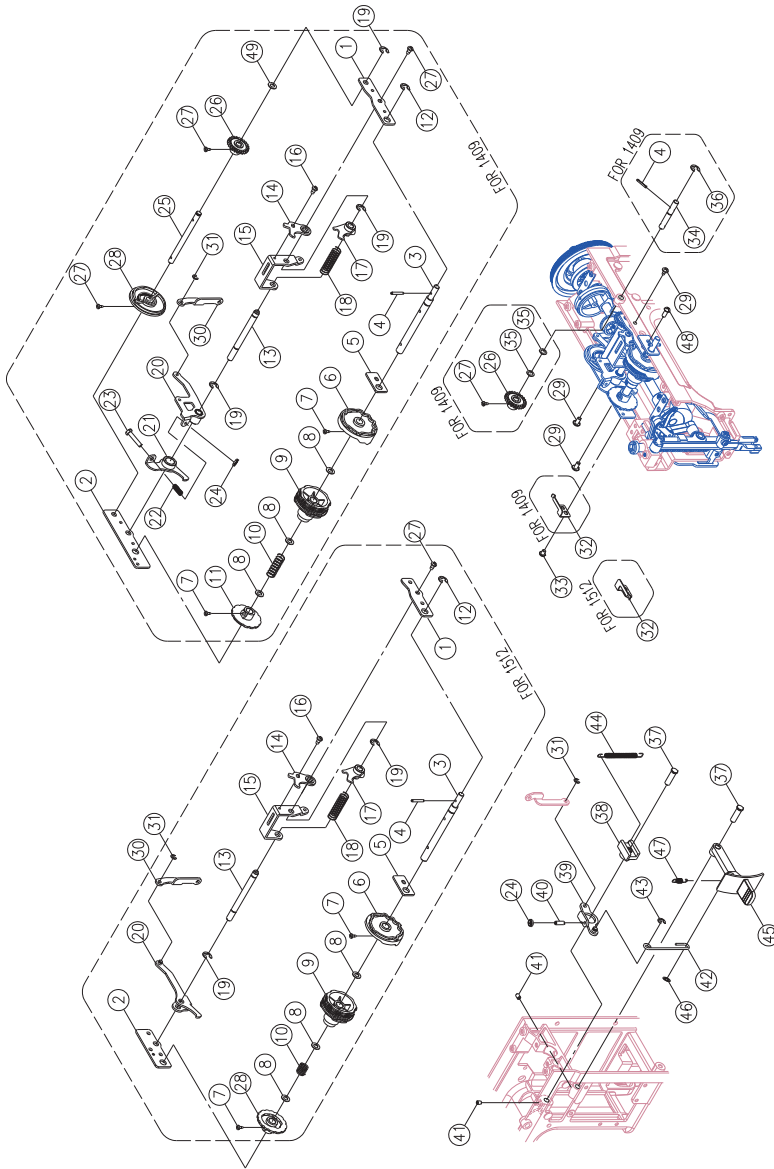


Pos	Part No.	Description
1	416516101	ARM SHAFT
2	270 V61473000	ARM SHAFT BALANCE
3	416122101	SET SCREW(M4×6 C)
4	270 003043524	ARM SHAFT BALANCE PIN (□3.5×24)
5	270 004400080	ENDURE ATTRITION WASHER (10.2×15×0.5)
6	416156301	ARM SHAFT BUSING
7	416765101	ARM SHAFT COLLAR
8	416121001	SET SCREW(M4×5 C)
9	416515201	ARM SHAFT WORM
10	416122401	SET SCREW(M4×4 C)
11	270 G4A0533000	FEED CAM
12	416604601	CRANK CONNECTING ROD CAM
13	416604601	CRANK CONNECTING ROD
14	416604601	CRANK CONNECTING ROD COVER
15	270 004600026	SET SCREW (M4X4 B)
16	270 004600026	WASHER(4.2×7.2×1.2)
17	270 004107063	SET SCREW(11/64×40×12)
18	270 003043028	SPRING PIN(□3×28)
19	416307201	ARM SHAFT COLLAR
20	270 D5A0573003	ARM SHAFT CLUTCH ANNULUS SPRING
21	416515301	ARM SHAFT DRIVER BELT PULLEY
22	270 003010083	E-RING (ETW-8)
23	270 003043030	SPRING PIN(□3×30)
24	416161701	ARM SHAFT BUSHING HOLDER PLATE
25	416121501	SET SCREW(M4×8 A)
26	270 E1A2513001	THREAD TAKE UP LEVER
27	416157901	THREAD TAKE UP LEVER SUPPORTER
28	416116101	E-RING (ETW-4)
29	270 V60223003	THREAD TAKE UP LEVER SUPPORTER SHAFT
30	416158001	ARM SHAFT BALANCE PIN
31	270 0044000020	ENDURE ATTRITION WASHER (6.2×12×0.25)
32	416152201	SET WASHER
33	416515401	MOTOR DRIVE BELT (250×500×5)
34	416515501	HAND WHEEL
35	270 V61893000	HAND WHEEL BALANCE LUMP
36	270 004230216	SET SCREW (M3×8.5)
37	416515601	ARM SHAFT WORM COMPLETE
38	270 G4A0535000	FEED CAM COMPLETE
39	416161101	CRANK CONNECTING ROD COMPLETE
40	270 E1A2534000	THREAD TAKE UP LEVER COMPLETE

B



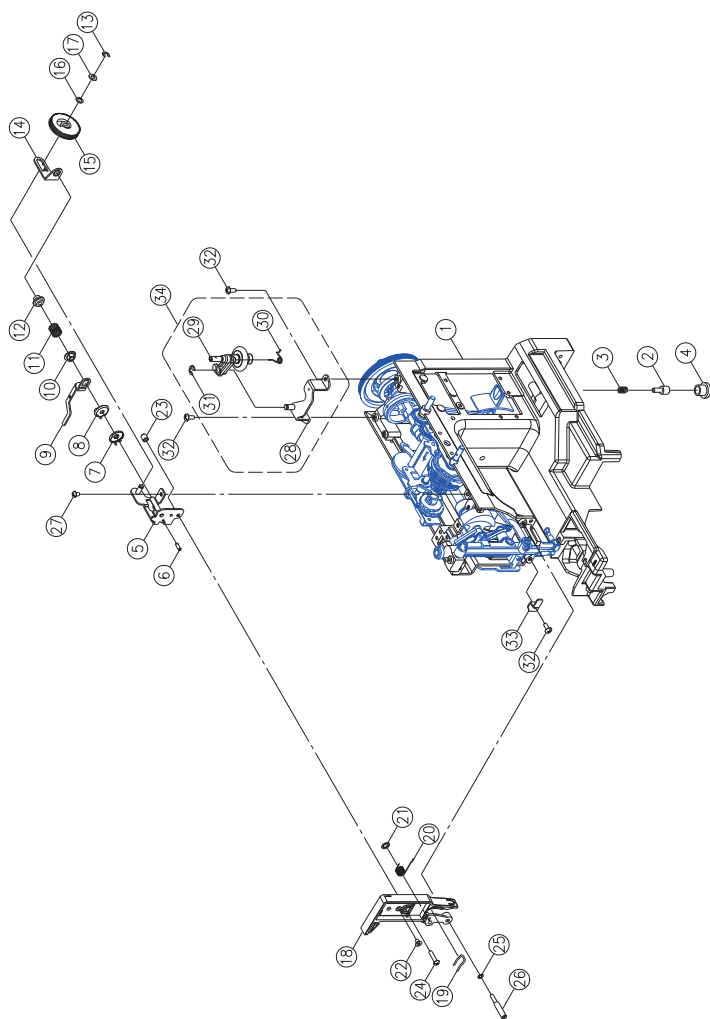
Pos	Part No.	Description
1	416515701	PRESSER BAR REGULATING SCREW
2	416173401	PRESSER BAR
3	270 H1A0093003	PRESSER BAR BRACKET
4	416122101	SET SCREW(M4×6 C)
5	270 E1A2493003	PRESSER BAR SPRING
6	416128201	SHANK COMPLETE
7	416118401	SHANK SCREW (9/64×40×8)
8	416128401	ALL PURPOSE FOOT
9	270 V61973002	NEEDLE BAR SUPPORTER
10	416515801	NEEDLE BAR SUPPORTER PIN
11	416116301	E-RING (ETW-5)
12	416515901	NEEDLE BAR SUPPORTER SPRING
13	416173601	NEEDLE BAR
14	416245301	NEEDLE CLAMP
15	416245301	NEEDLE CLAMP SCREW
16	416638901	NEEDLE BAR BRACKET (1)
17	416771501	NEEDLE BAR BRACKET (2)
18	416122401	SET SCREW(M4×4 C)
19	416639101	NEEDLE BAR CRANK ROD
20	270 004106202	SET SCREW(9/64×40×7A)
21	416121001	SET SCREW(M4×5 C)
22	270 006176008	NEEDLE
23	416516001	NEEDLE BAR DRIVING ROD
24	416408701	NEEDLE BAR DRIVING ROD PIN
25	270 H1A0053003	CLAMP PLATE
26	270 H1A0063003	TENSION LEVER LIFTER
27	416116001	E-RING (ETW-3)
28	416771601	PRESSER BAR LIFTER LEVER
29	416121501	SET SCREW (M4×8 A)
30	416572001	PIN (□2×12)



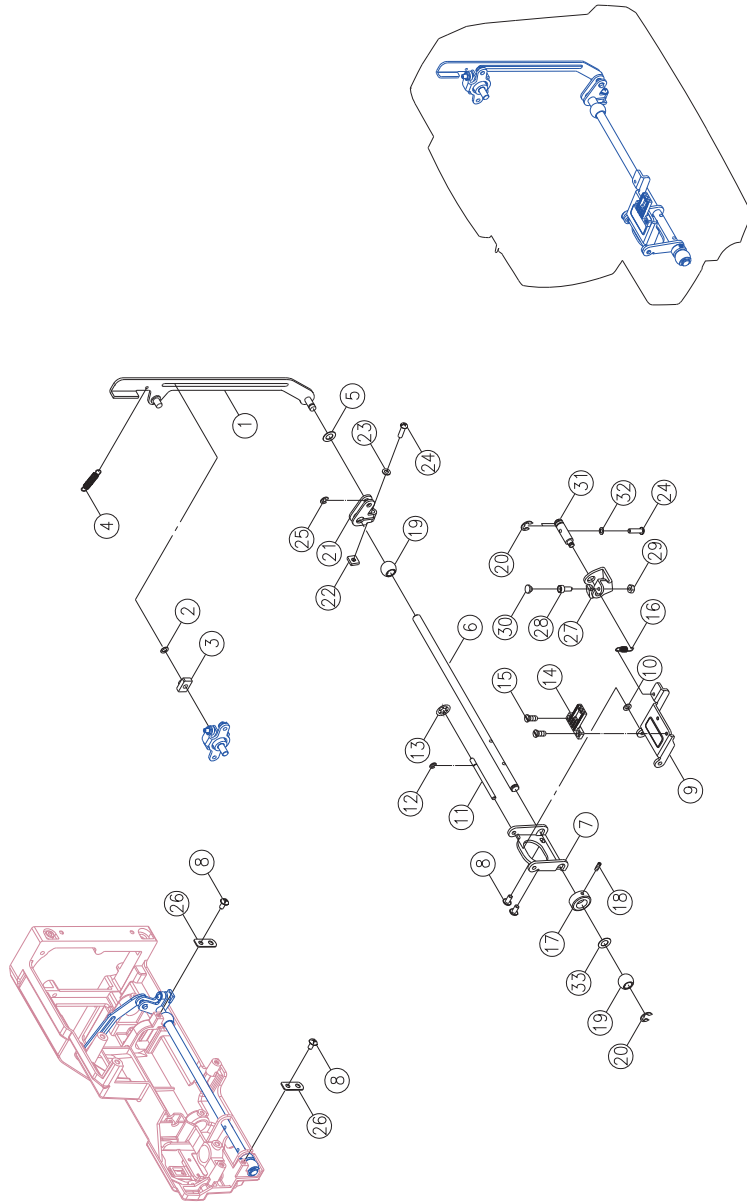
TAKE CARE THE CIRCLED PARTS FOR THE MODEL YOU WANT.

Pos	Part No.	Description
1	416516201	PATTERN CAM CONTACT PLATE (FRONT) FOR 1512
1	416516301	PATTERN CAM CONTACT PLATE (FRONT) FOR 1409
2	416516401	PATTERN CAM CONTACT PLATE (BACK) FOR 1512
2	416516501	PATTERN CAM CONTACT PLATE (BACK) FOR 1409
3	416516601	PATTERN SELECTOR CAM SHAFT FOR 1512
3	416516701	PATTERN SELECTOR CAM SHAFT FOR 1409
4	416183901	SPRING PIN (□2.5×16)
5	416519601	PATTERN SELECTOR CAM SHAFT PLATE
6	416516801	PATTERN SELECTOR CAM FOR 1512
6	416516901	PATTERN SELECTOR CAM FOR 1409
7	270 004235016	SET SCREW (M3.5×8A)
8	416186501	WASHER (□8.2×□12×0.5)
9	416517001	PATTERN CAM
10	270 V60673003	PATTERN CAM SPRING FOR 1512
10	270 K81263003	ZIGZAG CAM CONTACT SPRINGFOR 1409
11	416517101	BH PATTERN SELECTOR CAM FOR 1409
12	416116401	E-RING (ETW-6)
13	416517201	CONTACT SUPPORTER SHAFT FOR 1512
13	416517301	CONTACT SUPPORTER SHAFT FOR 1409
14	416517401	ZIGZAG RELEASE PLATE
15	416517501	ZIGZAG CAM CONTACT SUPPORTER
16	416517601	SET SCREW (M3.5×5A)
17	416517701	ZIGZAG CAM CONTACT
18	416517801	ZIGZAG CAM CONTACT SPRING
19	270 003010056	E-RING (ETW-5)
20	416517901	FEED CRANK FOR 1512
20	416518001	ED CRANK FOR 1409
21	416771701	BH REGULATOR PLATE FOR 1409
22	270 V60813003	BH SPRING FOR 1409
23	270 004240706	SET SCREW (M4×20) FOR 1409
24	416126801	NUT (ALN-4) FOR 1409
25	416518201	FEED REGULATOR CAM SHAFT FOR 1409
26	416518301	FEED REGULATOR GEAR FOR 1409
27	416518401	SET SCREW (M3×8 A)
28	416518501	FEED REGULATOR CAM FOR 1512
28	416518601	FEED REGULATOR CAM FOR 1409
29	416121501	SET SCREW (M4×8 A)
30	416518701	FEED ROD
31	416116001	E-RING (ETW-3)
32	416518801	PATTERN FIX SPRING PLATE FOR 1512
32	416518901	PATTERN FIX SPRING PLATE FOR 1409
33	416226601	SET SCREW (M4×5 B)
34	416519001	STITCH LENGTH DIAL SHAFT FOR 1409
35	416186801	WASHER (□6.5×□10.5×1.5×0.15) FOR 1409
36	416116301	E-RING (ETW-5) FOR 1409
37	270 V60443000	FEED REGULATING SHAFT
38	416519101	FEED REGULATING
39	416519201	FEED REGULATING PLATE COMPLETE
40	416122701	SET SCREW (M4×12)
41	416122101	SET SCREW(M4×6 C)
42	416519401	REVERSE ROD
43	270 003010046	E-RING (ETW-4)
44	270 V70063003	FEED REGULATING SPRING
45	416771801	REVERSE LEVER BUTTON
46	270 003020043	CS-RING (CSTW-4)
47	416155001	AUTO THREADER LEVER SPRING
48	416121101	SET SCREW(M4×6 C)
49	270 004900063	WASHER (□6.2×□12×2.0×0.15) FOR 1409

D

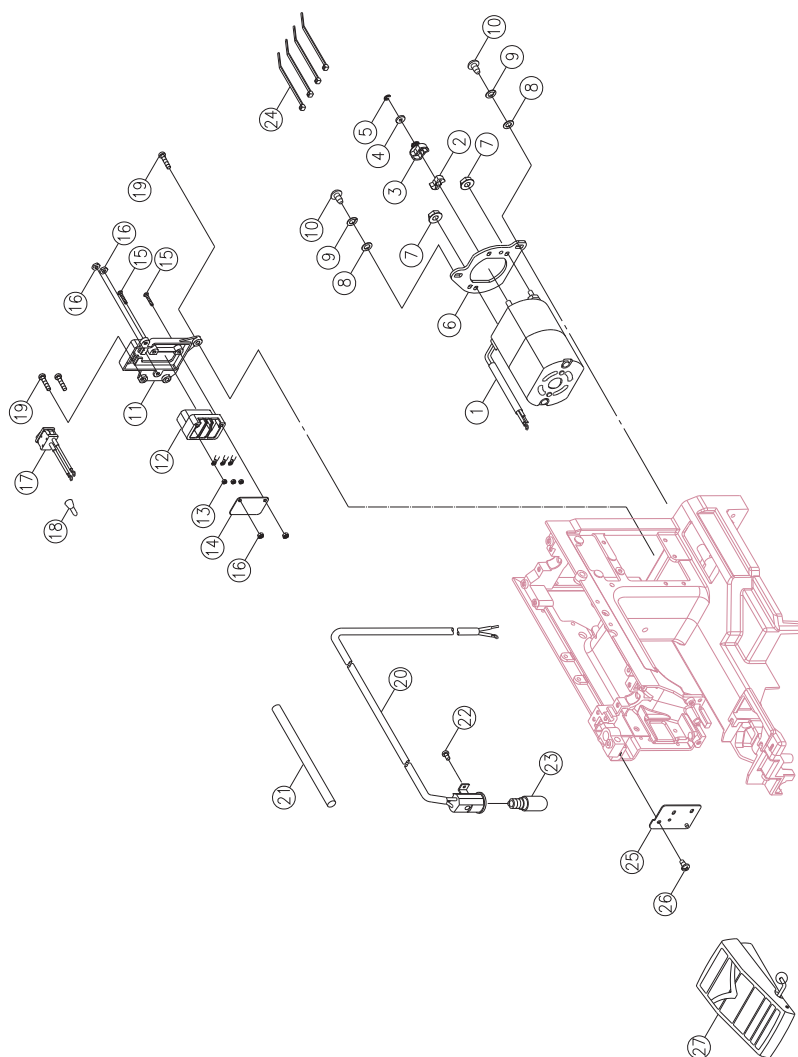


Pos	Part No.	Description
1	416771901	ARM
2	416154601	BASE PLATE ADJUSTMENT SCREW
3	416154401	BASE PLATE ADJUSTMENT SCREW SPRING
4	416147001	ADJUSTMENT FREE ARM BASE CUSHION RUBBER
5	416772001	DIAL TENSION SUPPORTER PLATE
6	416117501	SPRING PIN (□3×10)
7	416153601	DIAL TENSION DISC (1)
8	416146301	DIAL TENSION DISC
9	416772101	DIAL TENSION WAFT PLATE
10	416526801	DIAL TENSION SPRING REGULATOR
11	416772201	DIAL TENSION SPRING
12	416153801	DIAL TENSION REGULATOR
13	416116101	E-RING (ETW -4)
14	270 V60273006	DIAL TENSION SPRING PLATE
15	416772301	DIAL TENSION KNOB
16	416126001	WASHER (WW-5)
17	416124501	WASHER (5.2×10×0.5)
18	416772401	DIAL TENSION SUPPORTER PLATE COVER
19	416198701	THREAD GUIDE
20	270 V60303000	THREAD GUIDE SPRING
21	416116701	CS-RING (CSTW-5)
22	416121901	SET SCREW (M4×6D)
23	416151701	DIAL TENSION GUIDE SPRING TUBE
24	270 004240746	SET SCREW (M4×18B)
25	416124101	WASHER (4.2×8×0.8)
26	270 004240982	SET SCREW (M4×14 L=37)
27	416121201	SET SCREW (M4×6B)
28	416772501	BOBBIN WINDER FRAME COMPLETE
29	416520201	BOBBIN WINDER CRANK COMPLETE
30	270 K6A0573003	BOBBIN WINDER CRANK SPRING
31	416116301	E-RING (ETW-5)
32	416121501	SET SCREW (M4×8 A)
33	416520301	NEEDLE BAR STOP PLATE
34	416772601	BOBBIN WINDER COMPLETE

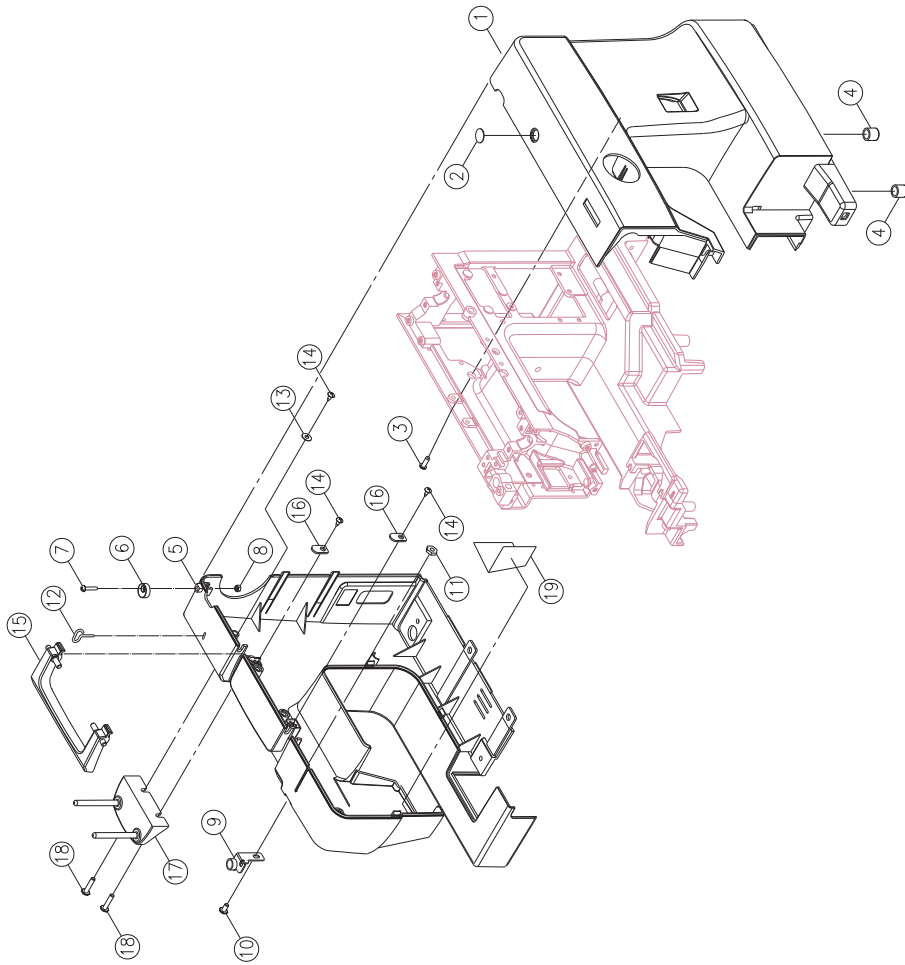


Pos	Part No.	Description
1	270 V60453003	FORK ROD
2	270 004400180	ENDURE ATTRITION WASHER (5.7×10.2×0.5)
3	270 V11533000	FEED REGULATING BLOCK
4	416520401	FORK ROD SPRING
5	270 004400450	ENDURE ATTRITION WASHER (5.5×12×0.25)
6	416520501	FEED ROCK SHAFT
7	270 V60493003	FEED ROCK FRAME
8	416121501	SET SCREW (M4×8 A)
9	270 V60503003	FEED DOG FRAME
10	416124101	WASHER (4.2×8×0.8)
11	270 V60513003	FEED DOG FRAME SHAFT
12	416116001	E-RING (ETW-3)
13	270 003090043	NUT (SPN-4)
14	416171601	FEED DOG
15	270 004230056	SET SCREW (M3×5 B)
16	270 V60533003	FEED DOG FRAME SPRING
17	416151901	PATTERN CAM SHAFT COLLAR
18	416122401	SET SCREW (M4×4 C)
19	270 V60343000	FEED ROCK BUSHING
20	416116401	E-RING (ETW-6)
21	270 V60553003	FEED ROCK CRANK
22	270 004840073	FEED ROCK CRANK NUT (M4)
23	416772701	WASHER (4×8×0.5)
24	416121701	SET SCREW (M4×15 B)
25	416116101	E-RING (ETW-4)
26	270 V60563003	BUSHING HOLDER PLATE
27	270 V60583003	FEED LIFTING ROCK CRANK
28	270 004250323	SEW SCREW
29	270 004840022	NUT (M4 T=3)
30	416154401	SEW SCREW KNOB
31	270 V60593003	FEED LIFTING ROCK SHAFT
32	270 004600026	WASHER (4.2×7.2×1.2)
33	270 004400410	ENDURE ATTRITION WASHER (8.2×12×0.25)

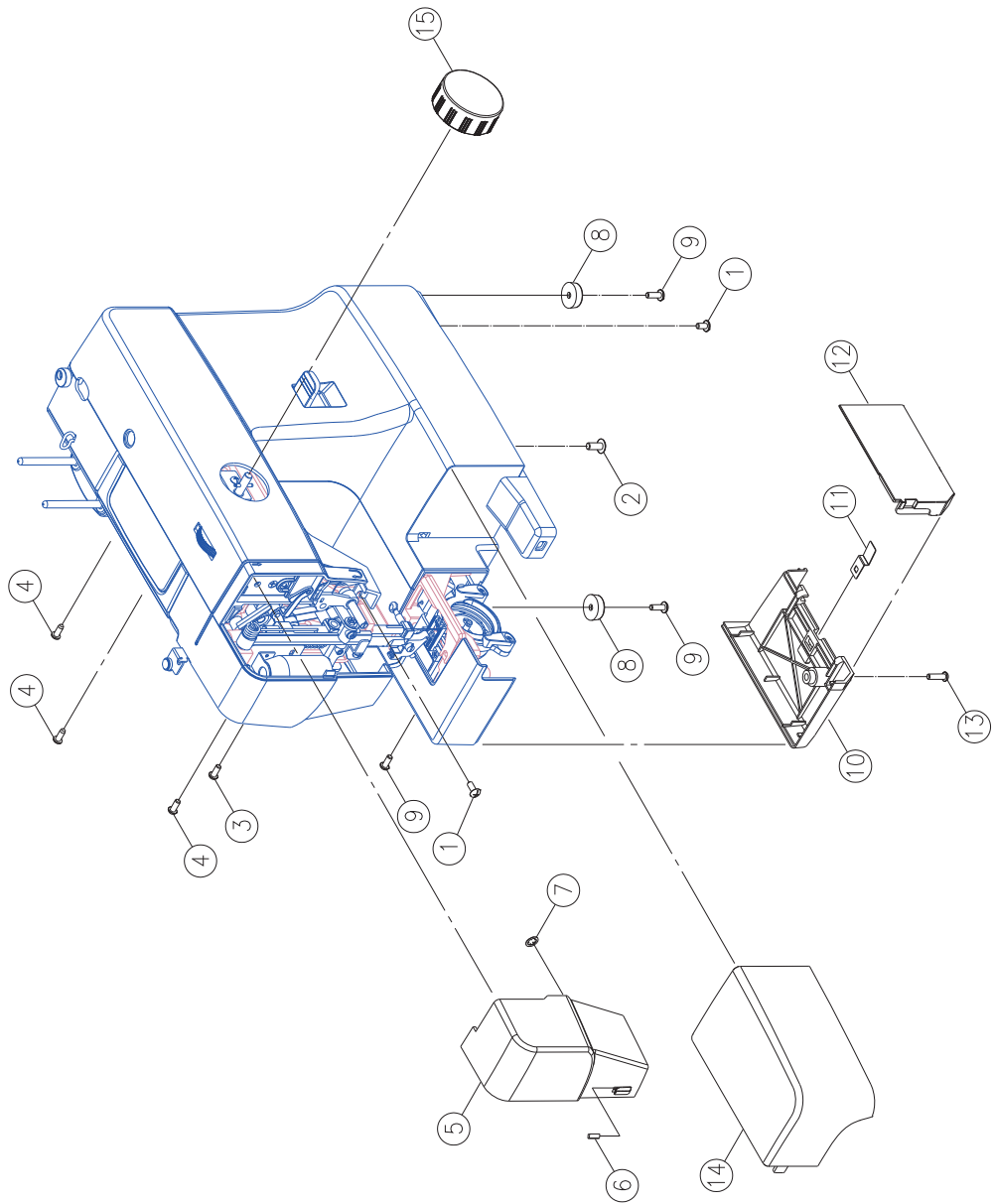
Pos	Part No.	Description
1	416527801	LOWER SHAFT
2	270 V6E1123000	FEED LIFTING ROCK CAM
3	416122101	SET SCREW (M4X6C)
4	270 004400410	ENDURE ATTRITION WASHER (8.2X12X0.25)
5	416141701	FEED ROCK BUSHING
6	416520801	LOWER SHAFT COLLAR
7	416122401	SET SCREW (M4X4C)
8	270 G4A1573000	LOWER SHAFT GEAR
9	270 004250203	SET SCREW (M5X5C)
10	270 V60363000	CRANK CONNECTING ROD CRANK
11	270 V10833003	CRANK CONNECTING ROD CRANK PIN
12	416116301	E-RING (ETW-5)
13	270 V10995000	OPEN SHUTTLE RACE
14	270 V10995000	SHUTTLE HOOK HOLDER
15	270 V10995000	SHUTTLE HOOK HOLDER SPRING
16	270 V10995000	SHUTTLE HOOK HOLDER SPRING SCREW
17	270 004400800	ENDURE ATTRITION WASHER (7.6×12×0.13)
18	270 K81125000	SHUTTLE DRIVER
19	416154201	SHUTTLE DRIVER SPRING
20	270 K81125000	SHUTTLE DRIVER SPRING SCREW
21	270 004400210	ENDURE ATTRITION WASHER (8.2×16×0.5)
22	416520901	SHUTTLE DRIVER SHAFT COLLAR
23	270 G4A1583000	SHUTTLE DRIVER SHAFT GEAR
24	270 004107293	SET SCREW(11/64×40×4)
25	416392101	SHUTTLE HOOK
26	416153401	BOBBIN CASE
27	416153401	BOBBIN CASE SPRING
28	416152601	BOBBIN CASE SPRING SET SCREW
29	270 006084009	BOBBIN
30	416121101	SET SCREW (M4X10B)
31	270 004250151	SET SCREW (M5X10B)
32	416171501	NEEDLE PLATE
33	416 122 901	NEEDLE PLATE COMPLETE SET SCREW
34	270 V10995000	OPEN SHUTTLE RACE COMPLETE
35	416153401	BOBBIN CASE COMPLETE
36	416245801	LOWER SHAFT GEAR COMPLETE



Pos	Part No.	Description
1	416521101	MOTOR
2	416129401	CUSHION RUBBER
3	416428701	BELT WHEEL
4	416114001	MOTOR FEED REGULATOR COLLAR
5	416116001	E-RING (ETW-3)
6	416521415	MOTOR BRACKET
7	270 004840131	NUT (M4 T=5.5)
8	416124301	WASHER (5.4×10×0.9)
9	416126201	SPRING WASHER (5.2×9×1)
10	416224801	SET SCREW (M5×12)
11	416772801	RECEPTACLE HOLDER
12	416184701	RECEPTACLE
13	270 004840120	NUT (M3×4)
14	416183601	CONCERT INSULATION PLATE
15	416184901	SET SCREW (M3×20)
16	416302901	NUT (M3 T=2.3)
17	416521701	SWITCH ASS' Y
18	416133001	END TERMED
19	416121701	SET SCREW (M4×15)
20	416428401	LAMP LINE
21	270 002486000	SPAGHETTI
22	270 004230056	SET SCREW (M3×5 B)
23	416126901	LAMP (10W)
24	416113901	CORD CLIP
25	416522001	LAMP BRACKET
26	416121201	SET SCREW (M4×6B)
27	270 002V8E4003	FOOT CONTROLLER (FC-1902)

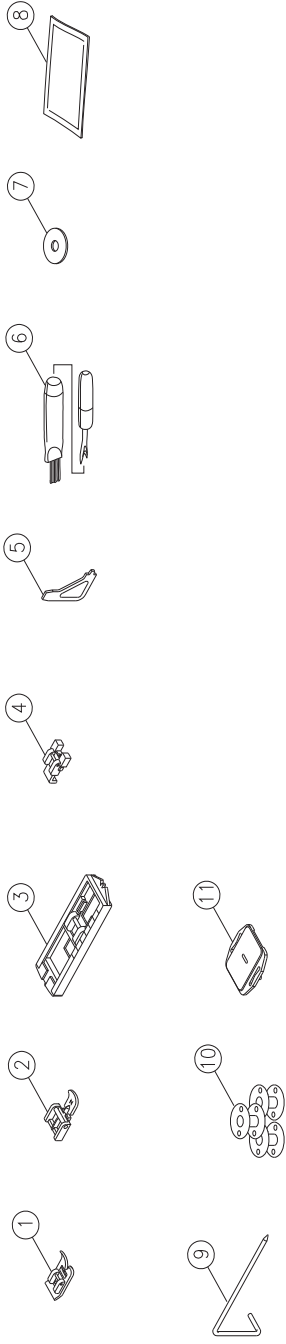


Pos	Part No.	Description
1	416772901	FRONT COVER
2	270 V61503210	PLATE (1)
3	270 004240526	SET SCREW (M4×12 B)
4	416152901	FREE ARM BASE CUSHION RUBBER
5	416773001	BACK COVER
6	270 K6B0393000	BOBBIN WINDER STOPPER
7	416174001	SET SCREW (9/64×40×16 B)
8	416126301	NUT (9/64×40 T=3)
9	270 V61325000	BOBBIN WINDER THREAD GUIDE COMPLETE
10	416121101	SET SCREW (M4×10 B)
11	270 004840022	NUT (6.8×7.8×3 M4×0.7)
12	416773101	GUIDE SPRING
13	416571401	WASHER (□4×□10×0.4)
14	270 004230216	SET SCREW (M3×8.5)
15	416773201	HANDLE
16	416152201	SET WASHER
17	416515001	SPOOL PIN PLATE
18	416123501	SET SCREW (M4×20 A)
19	416773301	HEAT RESISTANT PLATE

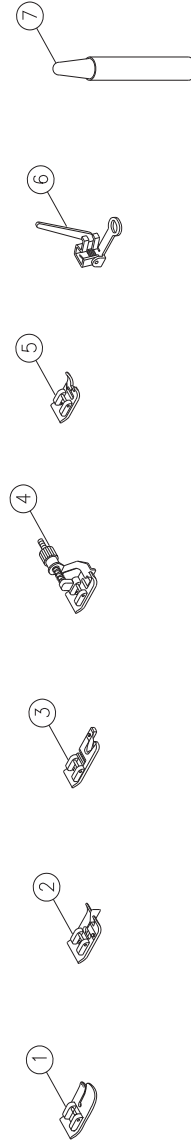


Pos	Part No.	Description
1	416121501	SET SCREW (M4×8 A)
2	270 004250151	SET SCREW (M5×10 B)
3	416121101	SET SCREW (M4×10 B)
4	416122201	SET SCREW (M4×10 B)
5	416773401	FACE PLATE
6	416172501	THREAD CUTTER
7	416116701	CS-RING (CSTW-5)
8	270 F31103000	FREE ARM BASE CUSHION RUBBER
9	416121601	SET SCREW (M4×12 B)
10	416773501	BED COVER
11	416421301	HOOK COVER SPRING
12	416773601	HOOK COVER
13	416121701	SET SCREW (M4×15 B)
14	416773701	SEWING TABLE BODY
15	416773801	PATTERN SELECTOR DIAL

STANDARD ACCESSORIES



OPTIONAL ACCESSORIES



Pos	Part No.	Description
1	416 128 401	ALL PURPOSE FOOT
2	416 128 701	ZIPPER FOOT (I)
3	416 128 901	BUTTONHOLE FOOT (B)
4	416 284 501	BUTTON SEWING FOOT
5	270 006093009	L-SCREWDRIVER
6	416 127 701	SEAM RIPPER/ BRUSH
7	416 127 301	SPOOL PIN FELT
8	416718801	PACK OF NEEDLE
9	416 127 101	SEAM GUIDE
10	270 006084009	BOBBIN
11	416 127 901	FELT PAD

Optional accessories

1	416 129 101	QUILTING FOOT
2	270 006803008	OVERCASTTING FOOT (G)
3	270 006800008	HEMMER FOOT
4	416 128 501	BLIND HEM FOOT (L)
5	270 006804008	SATIN STITCH FOOT
6	416 127 401	DARNING/ EMBROIDERY FOOT