

BUYER'S MODEL NO. 1500

FACTORY MODEL CA10060

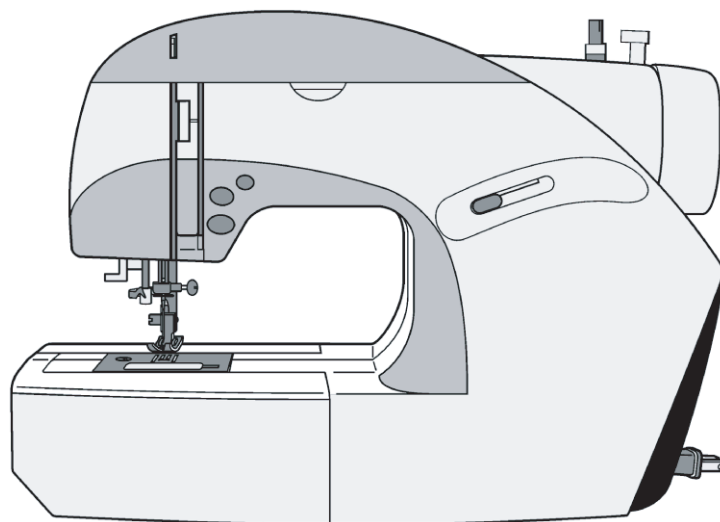
ORIGINAL ISSUE

September, 2000

SECTION —

→ REFER TO IMPORTANT NOTICE BELOW


PARTS LIST FOR Model 1500



IMPORTANT:

WHEN ORDERING THE PARTS
ALWAYS CHECK THE SERIAL
NUMBER OF THE MACHINE.

FIRST DIGIT OF THE SERIAL
NUMBER MUST MATCH WITH THE
LAST DIGIT OF THE FACTOR
MODEL ABOVE.

SINGER SEWING CO. USA	
MODEL-MOÛLE 1500	SERIAL-NO. DE SÉRIE 0 x x x x x x x
 LISTED E485 E81486 SEWING MACHINE	120V AC 60Hz 0.6A

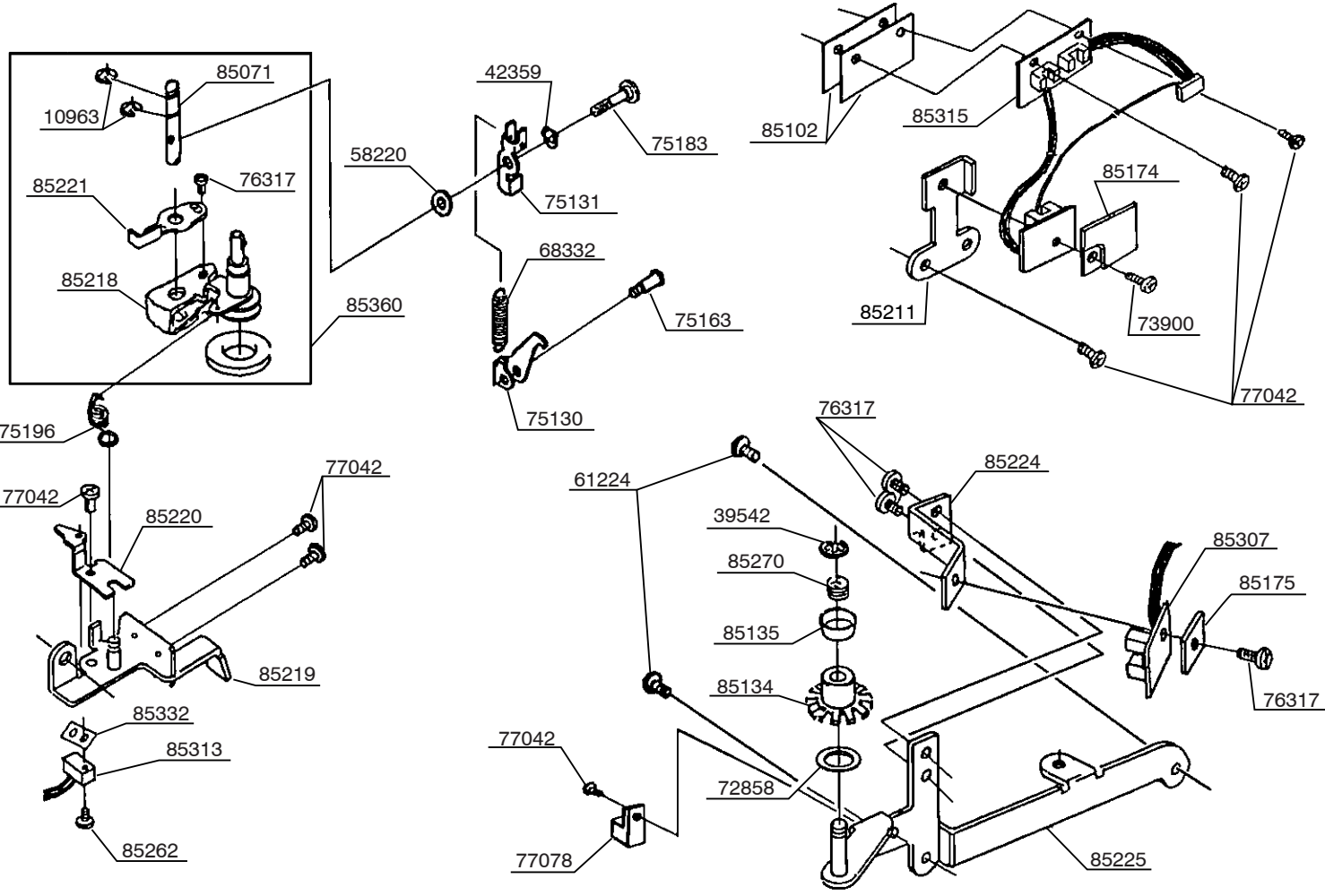
FIRST DIGIT

SINGER

BUYER'S MODEL NO.	1500	SECTION	PAGE	REVISION	REMARKS	PART NO.	DESCRIPTION
BUYER'S MODEL NAME		—	1			61227	M6 PHILIPS SCREW
FACTORY MODEL	CA10060						61341
ORIGINAL ISSUE	September, 2000	SERIAL NO.				66124	RUBBER FOOT
						72807	M4 STUD SCREW
						72807	M4 STUD SCREW
						64203	TAPPING SCREW
						73299	M4 TORQUE NUT
						76015	LEG
						77042	M4 PHILIPS SCREW
						85109	BOTTOM COVER
						85118	ACCESSORY BOX
						85139	ACC.BOX COVER A
						85140	ACC.BOX COVER B
						85156	CORD GUIDE
						85173	INSULATION BOX
85258	CUSHION						

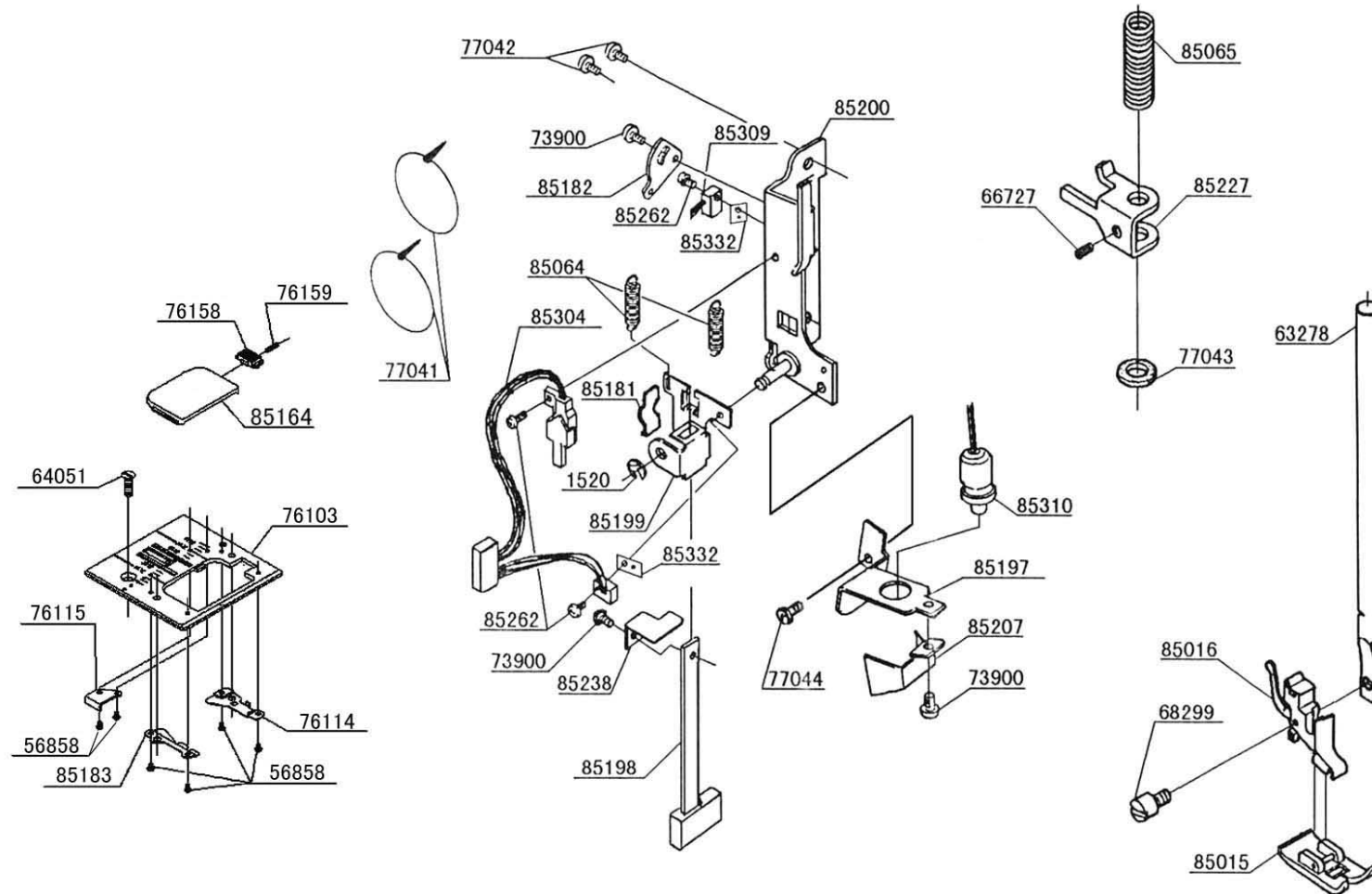
BUYER'S MODEL NO.	1500	SECTION		PAGE	2	REVISION		REMARKS		PART NO.	DESCRIPTION
BUYER'S MODEL NAME										10963	E6 CLIP-ON-WASHER
FACTORY MODEL	CA10060									33223	WASHER
ORIGINAL ISSUE	September, 2000	SERIAL NO.								39542	CLIP-ON-WASHER
										43389	THRUST WASHER
										43390	THRUST WASHER
										43930	SPRING PIN
										53403	WASHER
										62307	M4 SCREW
										63560	M4 PHILIPS SCREW
										64204	M4 PHILIPS SCREW
										66235	SECURING PLATE
										66437	BUSH
										66725	M4 SCREW
										66787	WASHER
										67447	M5 SCREW
										68152	BALL BUSH
										73371	M6 SCREW
										73434	M4 PHILIPS SCREW
										73471	FEED REGULATING CAM
										73472	COLLAR
										75047	CLUTCH
										75060	TAKE-UP LEVER CRANK
										75066	NEEDLE BAR CRANK
										75088	TAKE-UP LEVER
										75159	SHAFT
										75194	TORSION SPRING
										75207	CS -CRIP
										75274	M4 PHILIPS SCREW
										85003	BELT PULLEY
										85013	POSITIONING COLLAR
										85017	BLANCER
										85040	MAIN SHAFT
										85046	METAL BUSH
										85078	CRANK STAFT
										85103	BELT PULLEY
										85104	HAND WHEEL
										85127	SENSOR CAM
										85138	TENSION ROLLER
										85151	PULLEY CAP
										85184	LEAF SPRING
										85189	TENSION ROLLER PLATE
										85217	RETAINER
										85253	WASHER
										85403	TIMING BELT

BUYER'S MODEL NO.	1500	SECTION	—	PAGE	3	REVISION		REMARKS		PART NO.	DESCRIPTION
BUYER'S MODEL NAME										10963	E6 CLIP-ON-WASHER
FACTORY MODEL	CA10060									39542	CLIP-ON-WASHER
ORIGINAL ISSUE	September,2000	SERIAL NO.								42359	CRINKLE WASHER
										58220	WASHER
										61224	M4 SCREW
										68332	EXTENSION SPRING
										72858	WASHER
										73900	M3 SCREW
										75130	RATCHET A
										75131	RATCHET B
										75163	M4 STUD SCREW
										75183	M4 STUD SCREW
										75196	TORSION SPRING
										76317	M3 SCREW
										77042	M4 PHILIPS SCREW
										77078	CORD GUARD
										85071	#8 SHAFT
										85102	PROTECTION SHEET
										85134	SENSOR WHEEL
										85135	END CAP
										85174	COVER
										85175	COVER
										85211	PLATE
										85218	BOBBIN WINDER BASE
										85219	BASE PLATE
										85220	ARM LEVER
										85221	ABUTMENT LEVER
										85224	SECURING PLATE
										85225	SECURING PLATE
										85262	M2 SCREW
										85270	COIL SPRING
										85307	THREAD SENSOR
										85313	SW HARNESS
										85315	MAIN SHAFT SENSOR HARNESS
										85332	SPACER
										85360	BOBBIN WINDER COMPLETE

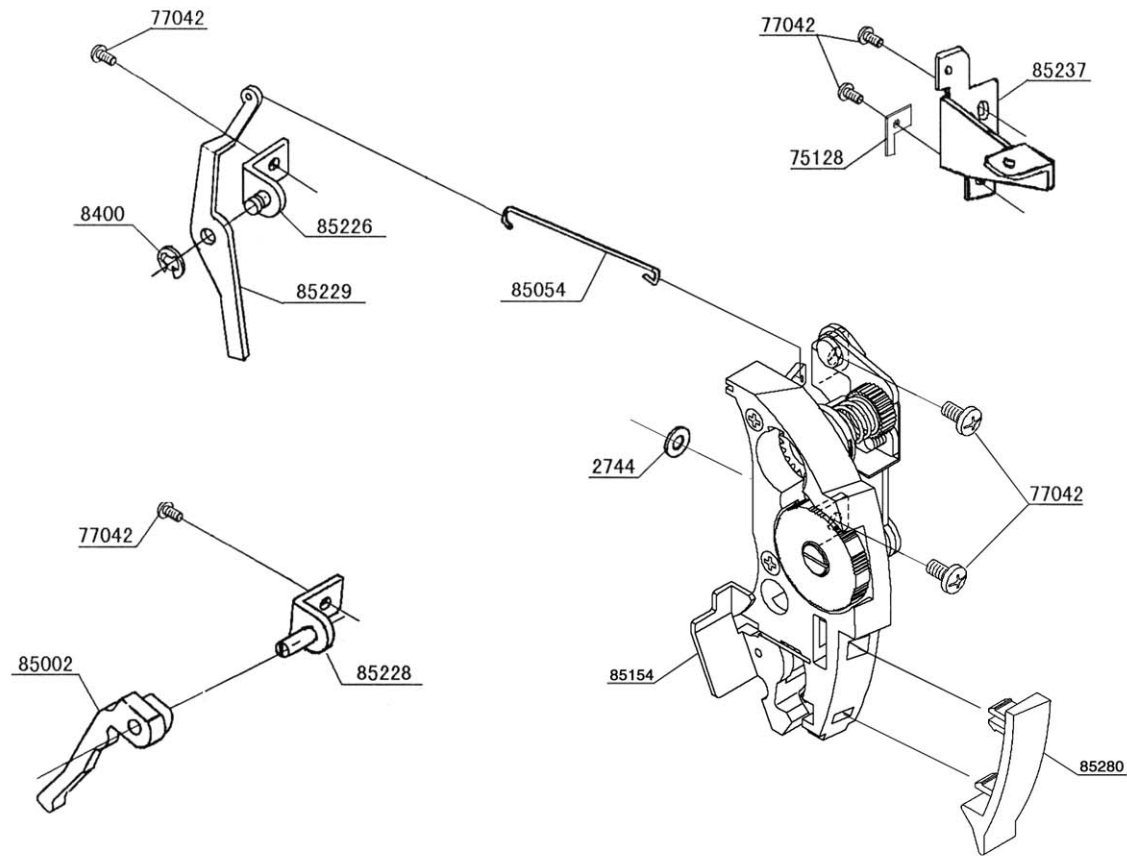


BUYER'S MODEL NO.	1500	SECTION	PAGE	REVISION	REMARKS	PART NO.	DESCRIPTION
BUYER'S MODEL NAME		—	4			1513	E4-CLIP-ON-WASHER
FACTORY MODEL	CA10060					1520	E3-CLIP-ON-WASHER
ORIGINAL ISSUE	September, 2000	SERIAL NO.				2206	WASHER
						8058	NEEDLE CLAMP SCREW
						26934	#8 SCREW
						32949	WASHER
						43393	WASHER
						62280	M4 SCREW
						62307	M4 SCREW
						62309	M3 SCREW
						63561	M4 PHILIPS SCREW WITH WASHER
						64653	M3 SCREW
						65818	M4 BOLT
						66725	M4 SCREW
						67232	NEEDLE
						73900	M3 PHILIPS SCREW
						74815	NEEDLE CLAMP
						75193	THREAD GUIDE
						75206	SPOOL PIN
						77037	NEEDLE BAR CLAMP
						77042	M4 PHILIPS SCREW
						85005	NEEDLE BAR SUPPORT
						85014	FULCRUM BLOCK
						85041	NEEDLE BAR
						85043	HEADED PIN
						85045	PIN
						85050	ECCENTRIC
						85058	COLLAR
						85059	EXTENSION SPRING
						85060	COMPRESSION SPRING
						85061	SPRING PIN
						85062	THREADER SHAFT SET
						85075	SPRING PIN
						85152	LEVER
						85153	NDL THREADER HOOK
						85158	COLLAR
						85190	SUPPORT PLATE
						85206	PLATE
						85208	PLATE
						85235	STOPPER
						85236	THREAD GUIDE PLATE
						85245	LEAF SPRING

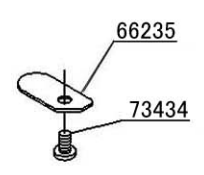
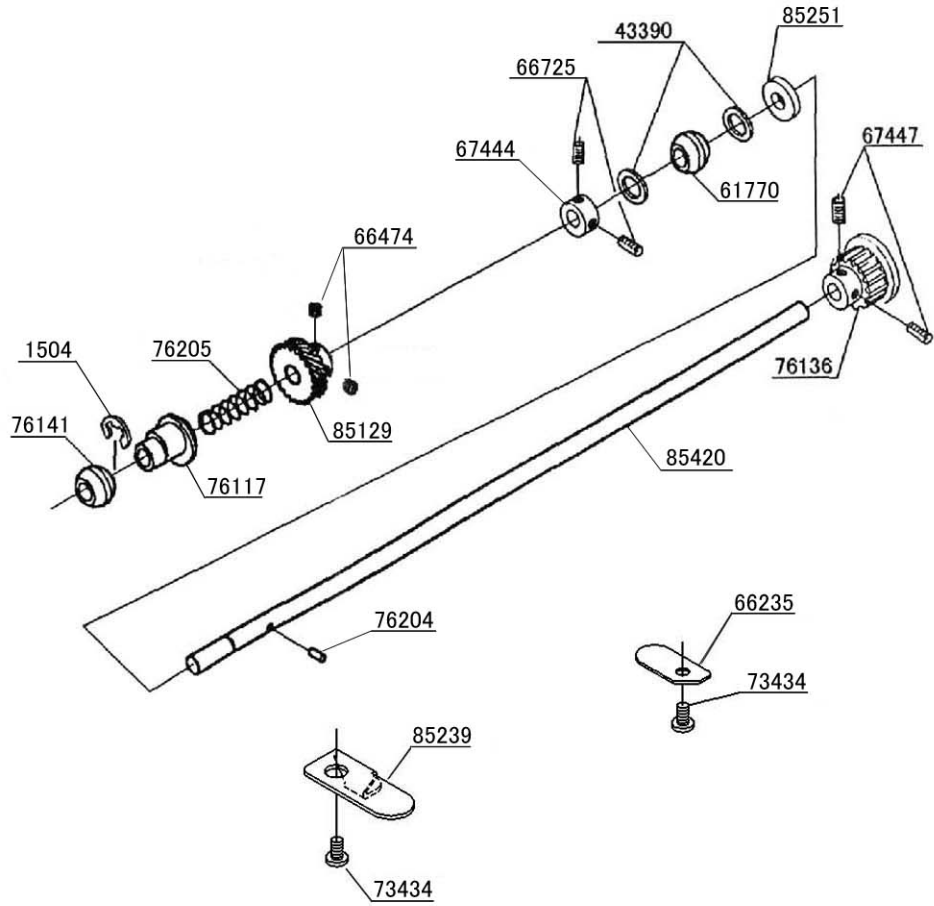
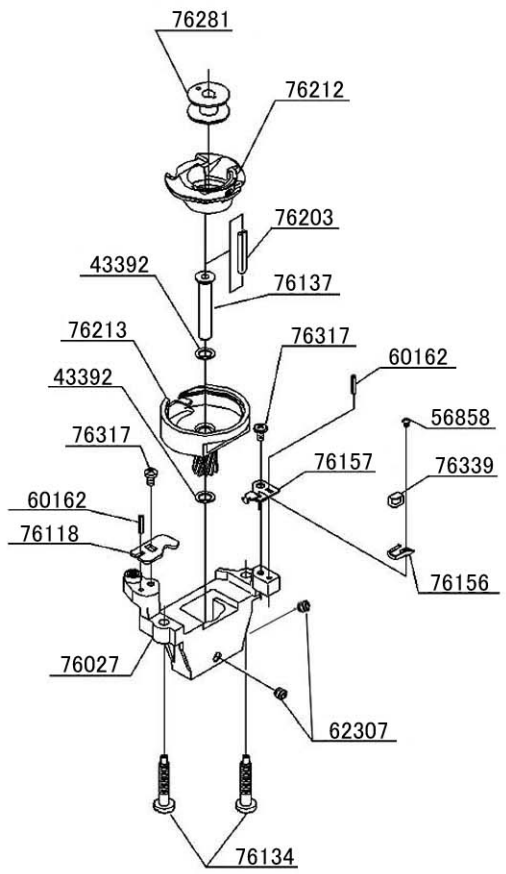
BUYER'S MODEL NO.	1500	SECTION	PAGE	REVISION	REMARKS	PART NO.	DESCRIPTION
BUYER'S MODEL NAME		—	5			1520	E3 CLIP-ON-WASHER
FACTORY MODEL	CA10060					56858	M2 PHILIPS SCREW
ORIGINAL ISSUE	September, 2000	SERIAL NO.				63278	PRESSER BAR
						64051	M4 SCREW
						66727	M4 SCREW
						68299	#7 SCREW FOR SHAFT
						73900	M3 SCREW
						76103	NEEDLE PLATE
						76114	COVER GUIDE (R)
						76115	THREAD CONTROL PLATE
						76158	RELEASE LEVER
						76159	COMPRESSION LEVER
						77041	UNITY FASTENER
						77042	M4 PHILIPS SCREW
						77043	FELT
						77044	M4 SCREW
						85015	ZIGZAG PRESSER FOOT
						85016	PRESSER FOOT HOLDER
						85064	EXTENSION SPRING
						85065	COMPRESSION SPRING
						85164	SHUTTLE RACE COVER
						85181	LEAF SPRING
						85182	CONTROL PLATE
						85183	COVER GUIDE (L)
						85197	LAMP BASE PLATE
						85198	BH PLATE (A)
						85199	BH PLATE (B)
						85200	PRESSER BAR MOUNTING PLATE
						85207	REFLECTING PLATE
						85227	PRESSER BAR BLOCK
						85238	BH PLATE (C)
						85262	M2 SCREW
						85304	BH LEVER SWITCH
						85309	MINI SWITCH
						85310	LAMP
						85332	SPACER

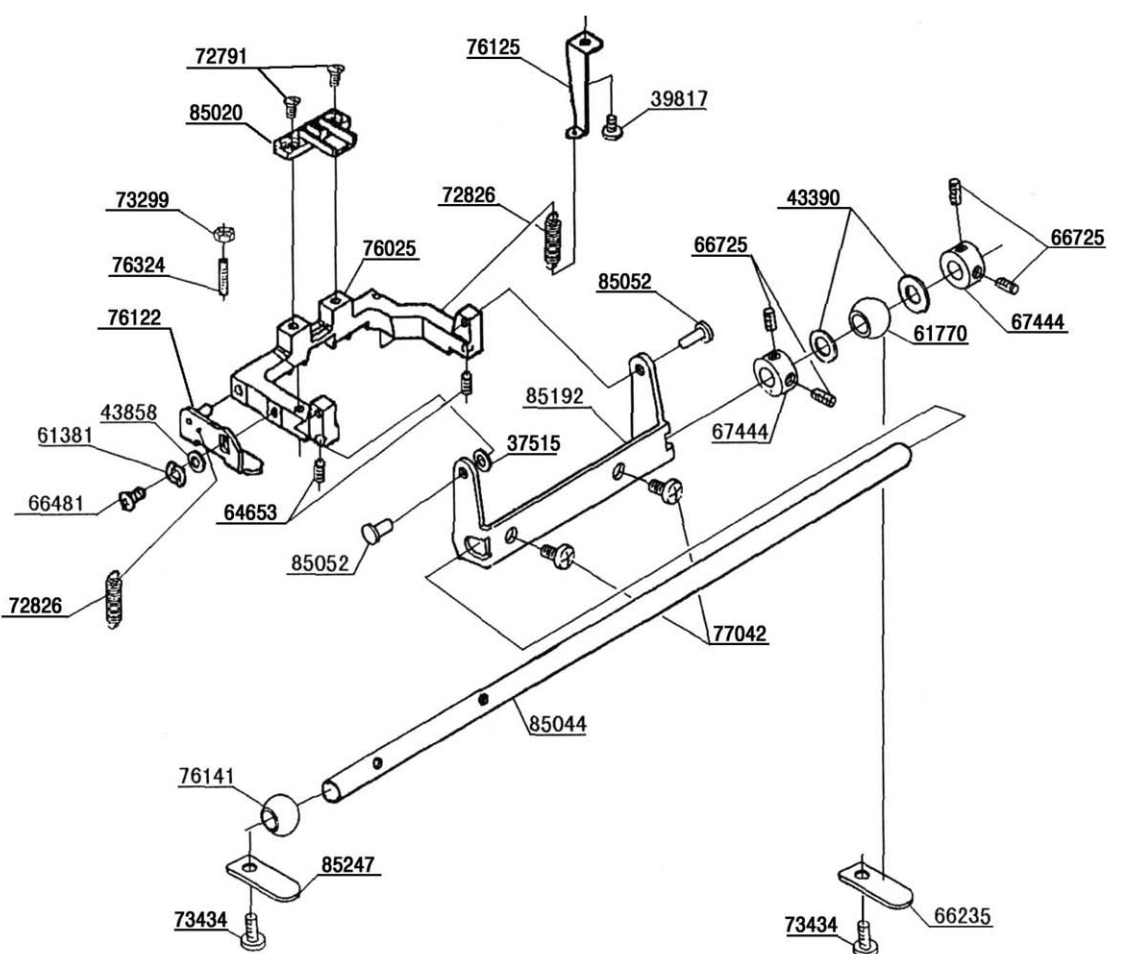


BUYER'S MODEL NO.	1500	SECTION	—	PAGE	6	REVISION		REMARKS		PART NO.	DESCRIPTION
BUYER'S MODEL NAME										2744	WASHER
FACTORY MODEL	CA10060									8400	E5 CLIP-ON-WASHER
ORIGINAL ISSUE	September, 2000	SERIAL NO.								75128	SECURING PLATE
										77042	M4 PHILIPS SCREW
										85002	PRESSER BAR LIFTER
										85054	CONNECTING WIRE
										85154	THREAD GUIDE PLATE UNIT
										85226	PLATE WITH PIN
										85228	PLATE WITH PIN
										85229	RELEASE LEVER
										85237	COVER MOUNTING PLATE ATTACHMENT
										85280	ATTACHMENT

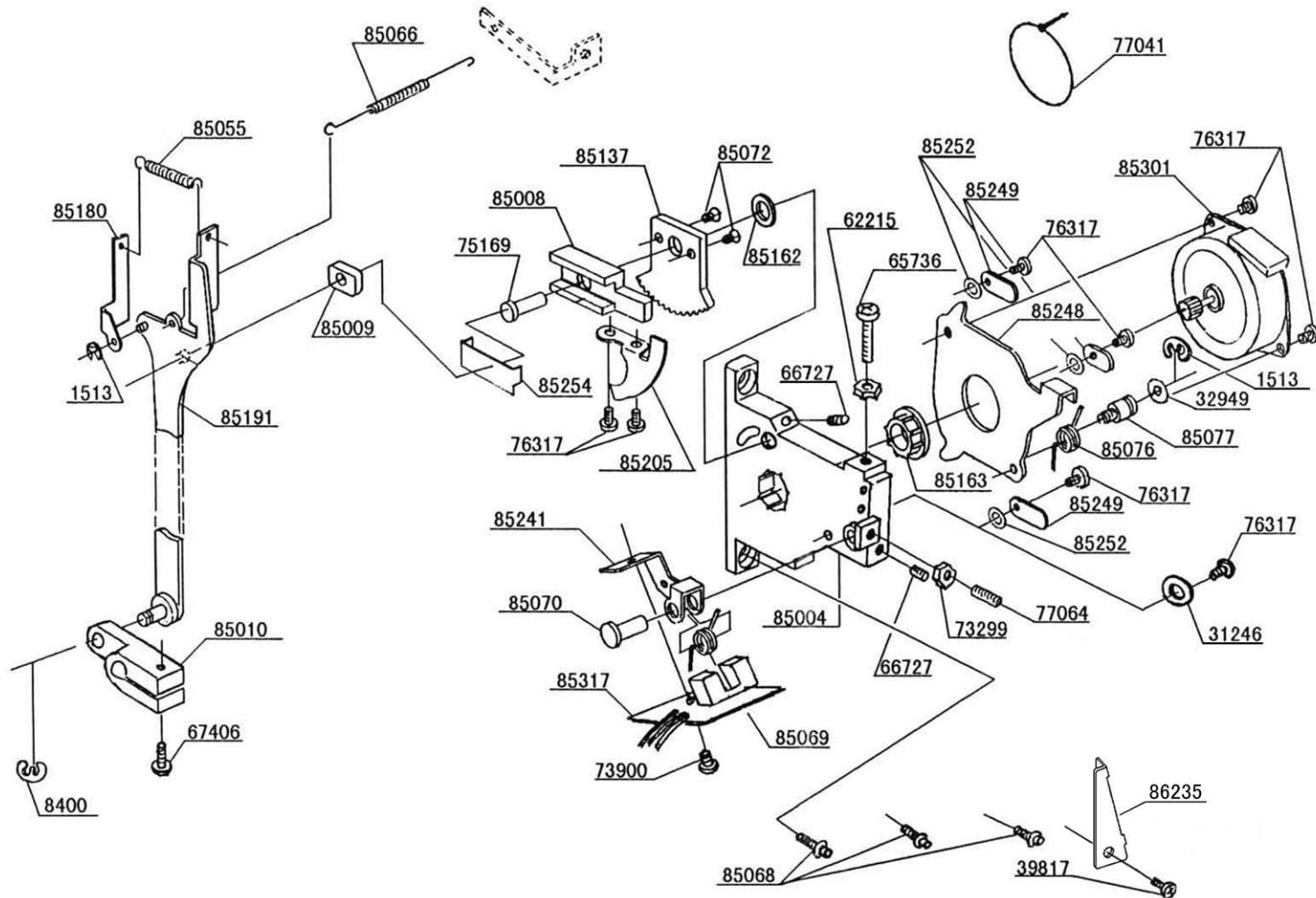


BUYER'S MODEL NO.	1500	SECTION	PAGE	REVISION	REMARKS	PART NO.	DESCRIPTION
BUYER'S MODEL NAME		—	7			1504	E7 CLIP-ON-WASHER
FACTORY MODEL	CA10060					43390	THRUST WASHER
ORIGINAL ISSUE	September, 2000	SERIAL NO.				43392	THRUST WASHER
						56858	M2 PHILIPS SCREW
						60162	KNOCK PIN
						61770	BALL METAL
						62307	M4 SCREW
						66235	SECURING PLATE
						66474	M5 SCREW
						66725	M4 SCREW
						67444	COLLAR
						67447	M5 SCREW
						73434	M4 PHILIPS SCREW
						76027	SHUTTLE RACE BASE
						76117	FEED LIFTING CAM
						76118	BOBBIN CASE STOPPER
						76134	SCREW
						76136	BELT PULLEY
						76137	SHUTTLE RACE SHAFT
						76141	BALL METAL
						76156	RETAINER SPRING
						76157	RETAINER
						76203	OILING CORD
						76204	PIN
						76205	TORSION SPRING
						76212	BOBBIN CASE
						76213	SHUTTLE RACE
						76281	BOBBIN
						76317	M3 PHILIPS SCREW
						76339	CUSHION
						85042	LOWER SHAFT
						85129	BEVEL GEAR
						85239	SECURING PLATE
						85251	WASHER



BUYER'S MODEL NO.	1500	SECTION	PAGE	REVISION	REMARKS	PART NO.	DESCRIPTION
BUYER'S MODEL NAME		—	8			37515	WASHER
FACTORY MODEL	CA10060						39817
ORIGINAL ISSUE	September, 2000	SERIAL NO.				43390	WASHER
						43858	WASHER
						61381	CRINKLE WASHER
						61770	BALL METAL
						64653	M3 SCREW
						66235	SECURING PLATE
						66481	M4 STUD SCREW
						66725	M4 SCREW
						67444	COLLAR
						72791	M4 SCREW
						72826	EXTENSION SPRING
						73299	M4 TORQUE NUT
						73434	M4 PHILIPS SCREW
						76025	FEED DOG BASE
						76122	FEED BASE ADJUSTMENT
						76125	SPRING HOOK PLATE
						76141	BALL METAL
						76324	M4 SCREW
						77042	M4 PHILIPS SCREW
						85020	FEED DOG
						85044	HORIZONTAL FEED SHAFT
85052	PIN W / HEAD						
85192	FEED-DOG BASE BRACKET						
85247	SECURING PLATE						

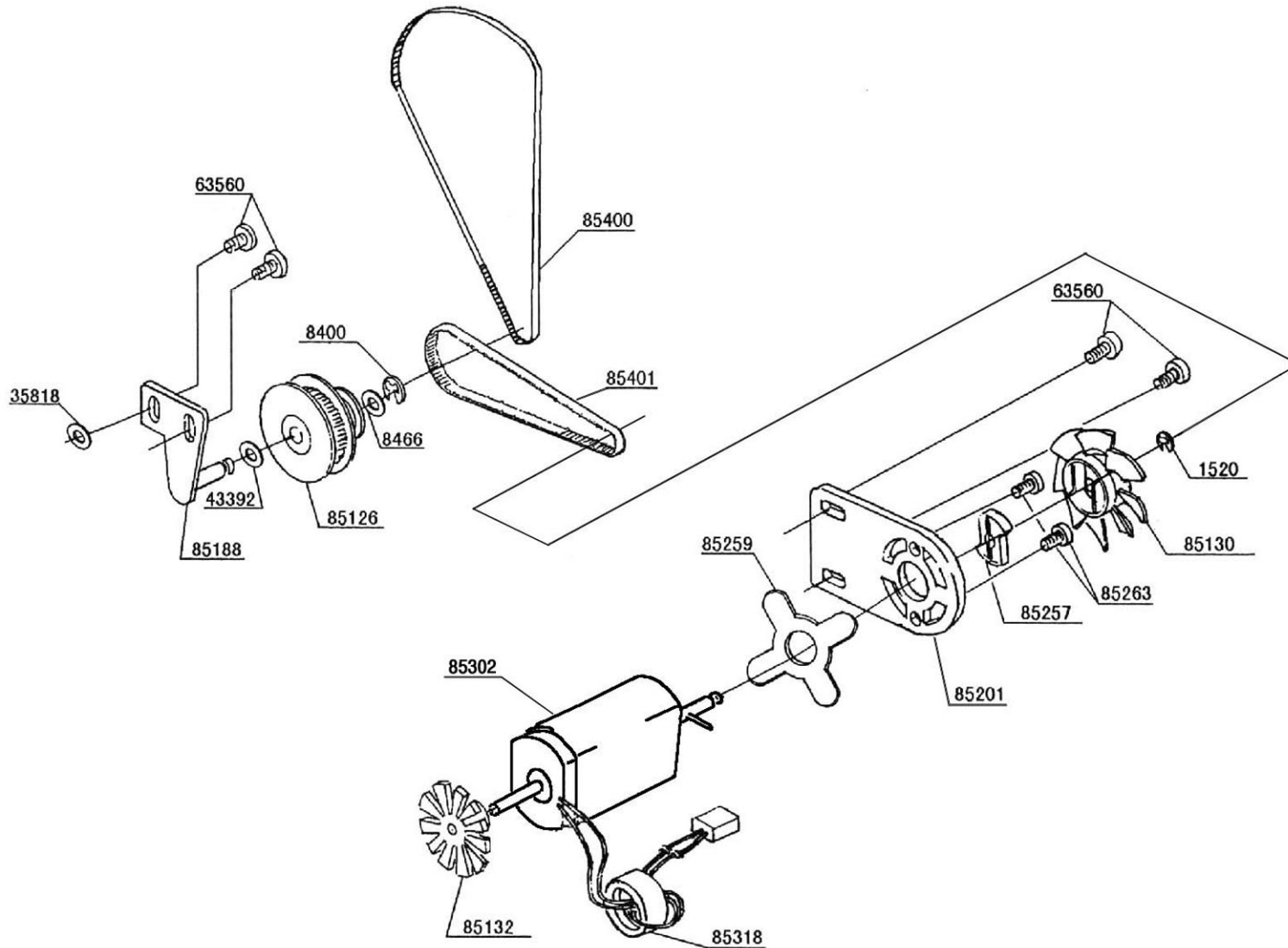
BUYER'S MODEL NO.	1500	SECTION		PAGE	9	REVISION		REMARKS		PART NO.	DESCRIPTION
BUYER'S MODEL NAME										1513	E4 CLIP-ON-WASHER
FACTORY MODEL	CA10060									8400	E5 CLIP-ON-WASHER
ORIGINAL ISSUE	September, 2000	SERIAL NO.								31246	WASHER
										32949	WASHER
										39817	M4 PHILIPS SCREW
										62215	M4 NUT
										65736	M4 PHILIPS SCREW
										66727	M4 SCREW
										67406	M4 SCREW
										73299	M4 TORQUE NUT
										73900	M3 SCREW
										75169	HEAD PIN
										76317	M3 SCREW
										77041	UNITY FASTENER
										77064	M4 SCREW
										85004	MOUNTING BRACKET
										85008	FEED CONTROL REGULATOR
										85009	SLIDE BLOCK
										85010	FEED CONTROL LOCKING LEVER
										85055	EXTENSION SPRING
										85066	EXTENSION SPRING
										85068	CAP-BOLT
										85069	SPRING
										85070	PIN W / HEAD
										85072	M3 SCREW
										85076	TORSION SPRING
										85077	SCREW W / SHAFT
										85137	FEED CONTROL GEAR
										85163	RING
										85162	WASHER
										85180	PLATE
										85191	FEED CONTROL ROD
										85205	SENSOR PLATE
										85241	BRACKET
										85248	MOTOR BRACKET
										85249	SECURING PLATE
										85252	WASHER
										85254	PLATE
										85301	STEP MOTOR
										85317	SENSOR UNIT
										86235	PLATE



BUYER'S MODEL NO.	1500	SECTION	PAGE	REVISION	REMARKS	PART NO.	DESCRIPTION
BUYER'S MODEL NAME		—	10			1513	E4 CLIP-ON-WASHER
FACTORY MODEL	CA10060					1520	E3 CLIP-ON-WASHER
ORIGINAL ISSUE	September, 2000	SERIAL NO.				1615	WASHER
						43858	WASHER
						44498	M3 NUT
						64653	M3 SCREW
						76317	M3 SCREW
						77042	M4 PHILIPS SCREW
						85049	STUD SCREW
						85067	M3 SCREW
						85133	ZIGZAG DRIVE GEAR
						85202	MOTOR BRACKET
						85203	SENSOR SUPPORT LEVER
						85204	ZIGZAG CONNECTING ROD
						85262	M2 SCREW
						85301	STEP MOTOR
						85311	SENSOR UNIT
						85332	SPACER
						76317	M3 SCREW
						77042	M4 PHILIPS SCREW
						85049	STUD SCREW
						85067	M3 SCREW
						85133	ZIGZAG DRIVE GEAR
85202	MOTOR BRACKET						
85203	SENSOR SUPPORT LEVER						
85204	ZIGZAG CONNECTING ROD						
85262	M2 SCREW						
85301	STEP MOTOR						
85311	SENSOR UNIT						
85332	SPACER						
43858	WASHER						
44498	M3 NUT						
64653	M3 SCREW						
76317	M3 SCREW						
77042	M4 PHILIPS SCREW						
85049	STUD SCREW						
85067	M3 SCREW						
85133	ZIGZAG DRIVE GEAR						
85202	MOTOR BRACKET						
85203	SENSOR SUPPORT LEVER						
85204	ZIGZAG CONNECTING ROD						
85262	M2 SCREW						
85301	STEP MOTOR						
85311	SENSOR UNIT						
85332	SPACER						
1513	E4 CLIP-ON-WASHER						
1520	E3 CLIP-ON-WASHER						
1615	WASHER						

BUYER'S MODEL NO.	1500	SECTION		PAGE	11	REVISION		REMARKS		PART NO.	DESCRIPTION
BUYER'S MODEL NAME		—	11							61221	M4 SCREW
FACTORY MODEL	CA10060									61224	M4 SCREW
ORIGINAL ISSUE	September, 2000	SERIAL NO.								73900	M3 SCREW
										77041	UNITY FASTENER
										77042	M4 PHILIPS SCREW
										85171	INSULATION
										85215	SWITCH BRACKET
										85222	BRACKET(L)
										85223	BRACKET(R)
										85314	TRANSFORMER
										85327	F.C. JACK HARNESS
										85333	SWITCH HARNESS

BUYER'S MODEL NO.	1500	SECTION		PAGE		REVISION		REMARKS		PART NO.	DESCRIPTION
BUYER'S MODEL NAME		—	12							1520	E3 CLIP-ON-WASHER
FACTORY MODEL	CA10060										8400
ORIGINAL ISSUE	September, 2000	SERIAL NO.								8466	WASHER
										35818	WASHER
										43392	WASHER

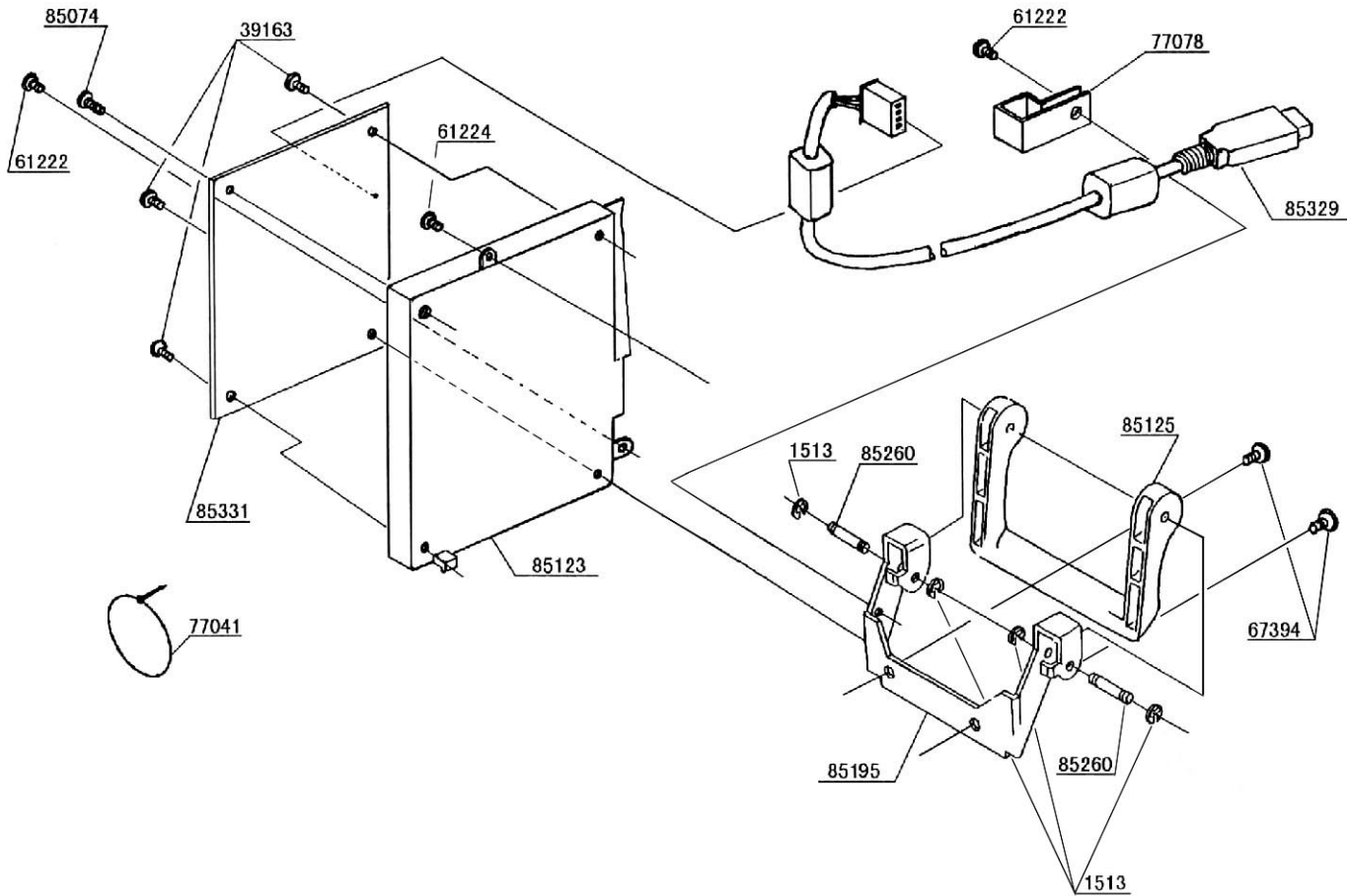


- 63560 M4 PHILIPS SCREW
- 85126 IDLAER PULLEY
- 85130 MOTOR PULLEY
- 85132 ENCODER
- 85188 IDLAER PULLEY BRACKET

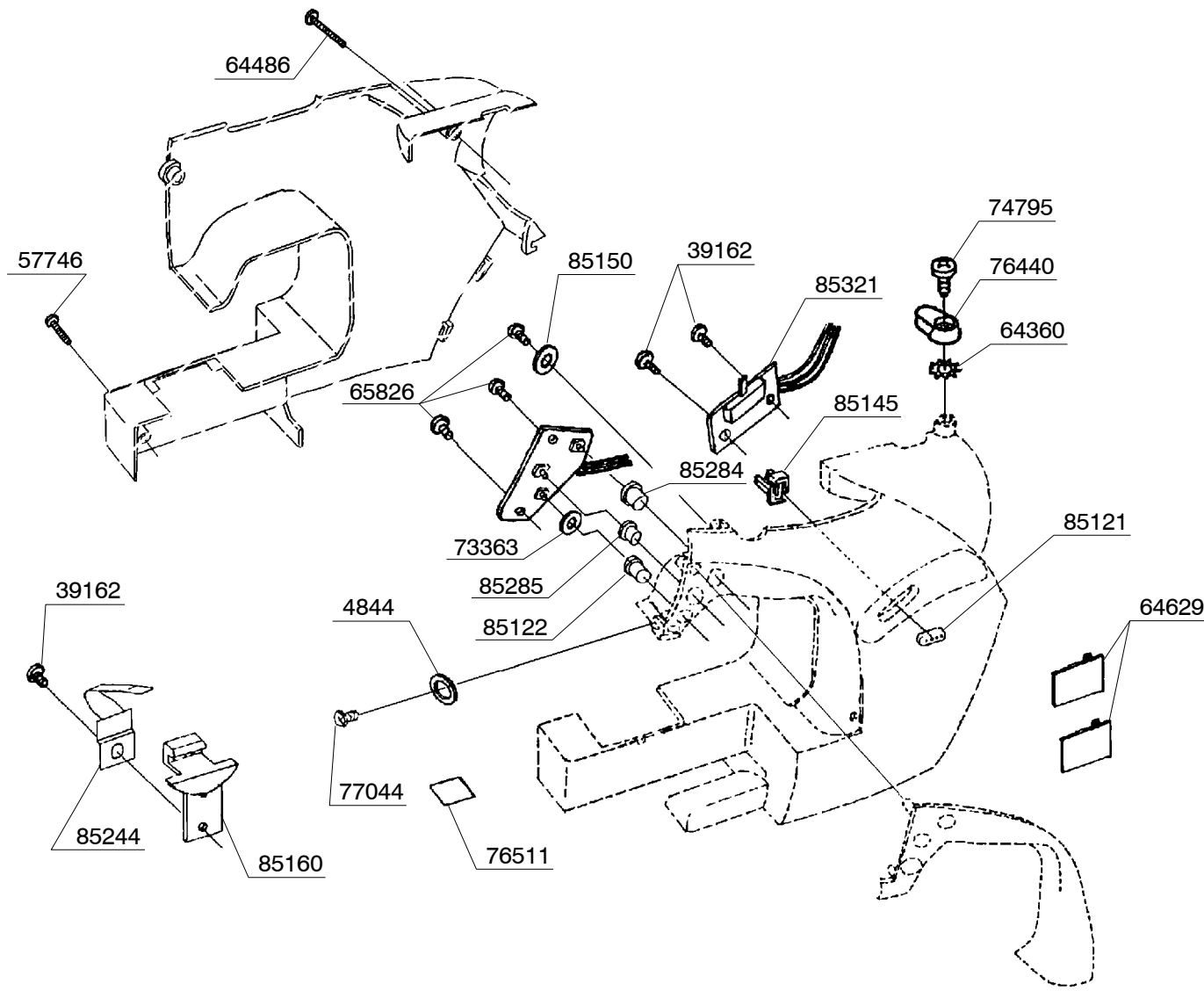
- 85201 MOTOR BRCKET
- 85257 RUBBER STOPPER
- 85259 RUBBER CUSHION
- 85263 M3 SCREW
- 85302 MOTOR

- 85318 FERITE RING
- 85400 BELT (L)
- 85401 BELT (S)

BUYER'S MODEL NO.	1500	SECTION	—	PAGE	13	REVISION		REMARKS	
BUYER'S MODEL NAME		FACTORY MODEL	CA10060	ORIGINAL ISSUE	September, 2000	SERIAL NO.		PART NO.	
1513	E4 CLIP-ON-WASHER	39163	M3 SCREW	61222	M4 SCREW	61224	M4 SCREW	67394	M5 SCREW
77041	UNITY FASTENER	77078	CORD GUARD	85074	M3 SCREW	85123	P.C.B. CONTAINER	85125	HANDLE
85195	HANDLE BRACKET	85260	PIN	85329	TRANS MISSION CORD	85331	MAIN CIRCUIT BOARD		



BUYER'S MODEL NO.	1500	SECTION		PAGE		REVISION		REMARKS		PART NO.	DESCRIPTION	
BUYER'S MODEL NAME		—	14							4844	WASHER	
FACTORY MODEL	CA10060									39816	M4 SQUARE NUT	
ORIGINAL ISSUE	September, 2000	SERIAL NO.								44498	M3 NUT	
											61225	M4 SCREW
											64083	SPOOL PIN
											68443	BLADE
											76448	DROP KNOB
											77042	M4 PHILIPS SCREW
											85074	M3 SCREW
											85106	FACE COVER PANEL
											85111	BOTTOM COVER
											85112	SIDE COVER
											85113	LID
											85114	TOP COVER
											85115	INNER TOP COVER
											85159	SENSOR PROTECTOR
											85170	SPOOL PIN
											85230	THREAD GUIDE SET B
											85243	THREAD GUIDE A
											85246	GUIDE PLATE
											85265	M4 SCREW
											85420	SEAL
											85470	SEAL
											85482	FACE COVER

BUYER'S MODEL NO.	1500	SECTION	PAGE	REVISION	REMARKS	PART NO.	DESCRIPTION
BUYER'S MODEL NAME		—	15	AUGUST ,2001		4844	WASHER
FACTORY MODEL	CA10060					39162	TAPPING SCREW
ORIGINAL ISSUE	September, 2000	SERIAL NO.				57746	TAPPING SCREW
						64360	TOOTHED WASHER
						64484	TAPPING SCREW
						64629	CORD GUIDE
						65826	M3 SCREW
						73363	WASHER
						74795	TAPPING SCREW
						76440	BOBBIN WINDER LATCH
						76511	SEAL
						77044	M3 SCREW
						85121	SPEED CONTROL KNOB
						85122	BUTTON A
						85145	SLIDE VOLUME ATTACHMENT
						85150	WASHER
						85160	LATCH
						85244	LEFT SPRING
						85284	BUTTON C
						85285	BUTTON B
						85321	SLIDE VOLUME UNIT
						85323	SWITCH CIRCUIT BOARD

BUYER'S MODEL NO.	1500	SECTION		PAGE	16	REVISION		REMARKS		PART NO.	DESCRIPTION
BUYER'S MODEL NAME		—	16							50980	ACCESSORY SET
FACTORY MODEL	CA10060									67233	NEEDLE SET
ORIGINAL ISSUE	September, 2000	SERIAL NO.								74793	SMALL SCREW DRIVER
										74990	FOOT CONTROL
										75748	SCREW DRIVER
										77040	SPOOL PIN DISC
										79070	SPOOL PIN CAP
										85124	SPOOL PIN CAP
										85128	BOBBIN
										85168	SPOOL PIN CAP
										85261	SPOOL HOLDER
										85334	POWER CORD
										85365	BUTTONHOLE OPENER
85410	BUTTONHOLE FOOT										
85435	F.C. BOX										
85681	BOOK(ENG..SPA.)										