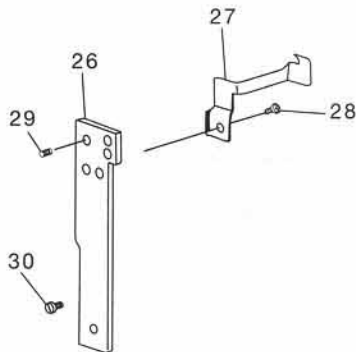
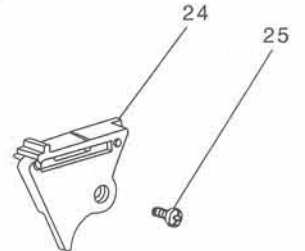
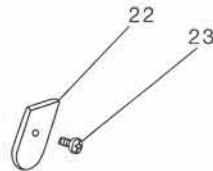
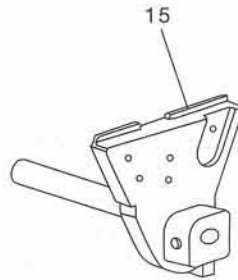
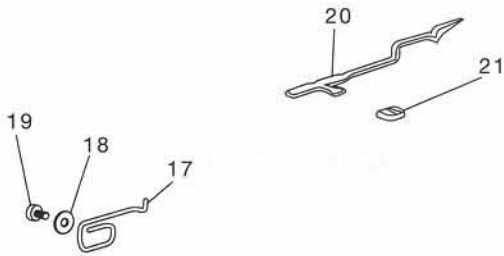
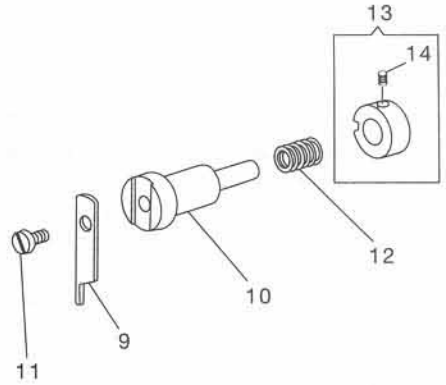
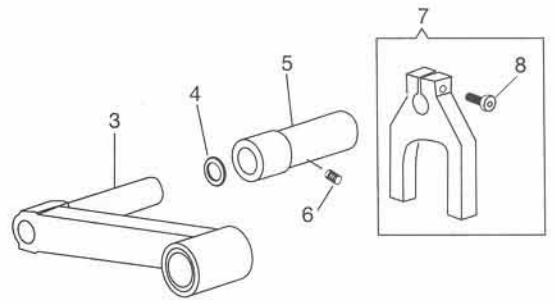
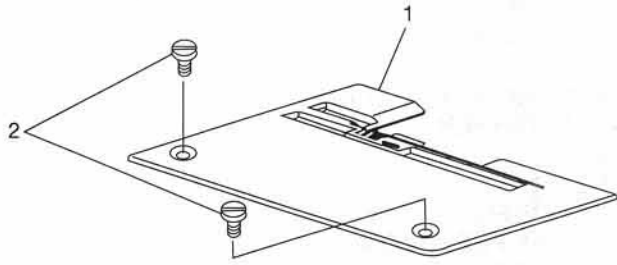
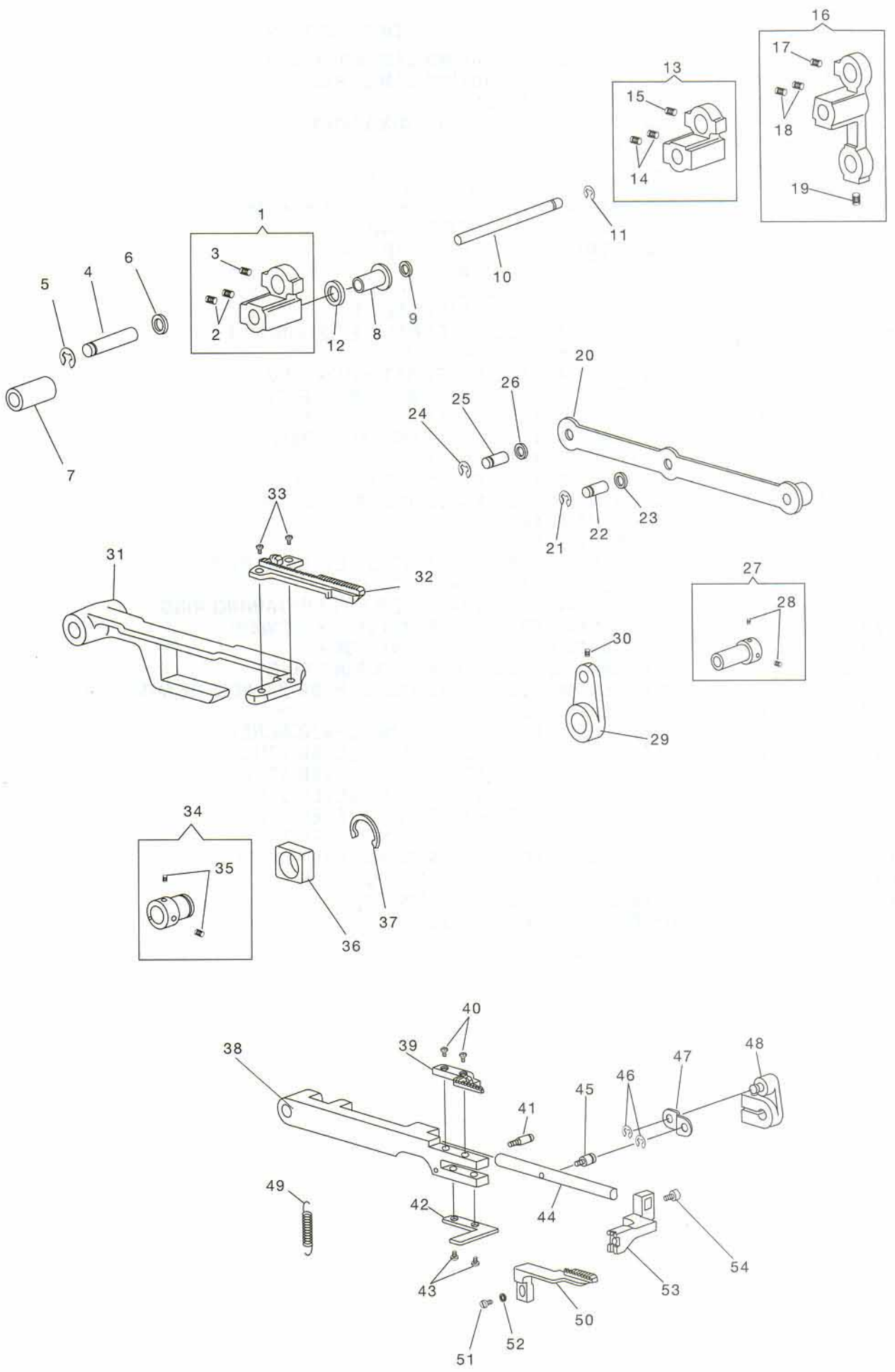


NO.	PART NO.	644	654	QTY.	DESCRIPTION
1	550443-452	*	*	1	THROAT PLATE
2	550553	*	*	2	THROAT PLATE POSITION SCREW
3	550437-391	*	*	1	KNIFE (MOVABLE) LEVER COMP.
4	542402	*	*	1	KNIFE (MOVABLE) FORKED LEVER STUD BUSHING THRUST WASHER
5	550440	*	*	1	KNIFE (MOVABLE) FORKED LEVER STUD BUSHING
6	544207-011	*	*	1	KNIFE (MOVABLE) FORKED LEVER STUD BUSHING SCREW
7	550633	*	*	1	KNIFE (MOVABLE) FORKED LEVER COMP.
8	414750-004	*	*	1	KNIFE (MOVABLE) FORKED LEVER SCREW
9	412585	*	*	1	KNIFE (MOVABLE)
10	412586	*	*	1	KNIFE (MOVABLE) HOLDER
11	544407	*	*	1	KNIFE (MOVABLE) SCREW
12	410307	*	*	1	KNIFE (MOVABLE) HOLDER SPRING
13	550581	*	*	1	KNIFE (MOVABLE) HOLDER COLLAR COMP.
14	544207-011	*	*	1	KNIFE (MOVABLE) HOLDER COLLAR SCREW
15	557708	*	*	1	KNIFE (STATIONARY) HOLDER COMP.
16	544207-011	*	*	1	SEAM WIDTH CONTROL STUD SCREW
17	550452	*	*	1	SEAM WIDTH FINGER SPRING
18	543803-002	*	*	1	SEAM WIDTH FINGER SPRING WASHER
19	544211-002	*	*	1	SEAM WIDTH FINGER SPRING SCREW
20	550450	*	*	1	SEAM WIDTH FINGER
21	550453-391	*	*	1	SEAM WIDTH FINGER KNOB
22	550449	*	*	1	KNIFE (STATIONARY)
23	544211-051	*	*	1	KNIFE (STATIONARY) SCREW
24	550451-391	*	*	1	SEAM WIDTH FINGER SUPPORT PLATE
25	544211-002	*	*	1	SEAM WIDTH FINGER SUPPORT PLATE SCREW
26	556149	*	*	1	NEEDLE GUARD BRACKET
27	550432	*	*	1	NEEDLE GUARD (FRONT) (FOR OVEREDGE NEEDLE)
28	544211-001	*	*	1	NEEDLE GUARD (FRONT) (FOR OVEREDGE NEEDLE) SCREW
29	374392-002	*	*	1	NEEDLE GUARD (FRONT) (FOR OVEREDGE NEEDLE) ADJUSTING SCREW
30	544212-001	*	*	1	NEEDLE GUARD BRACKET COMP.SCREW
31	544270-001	*	*	1	KNIFE (STATIONARY) HOLDER SCREW

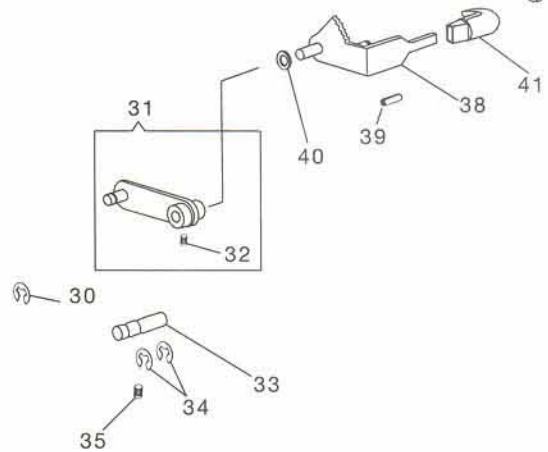
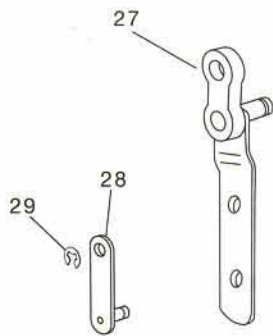
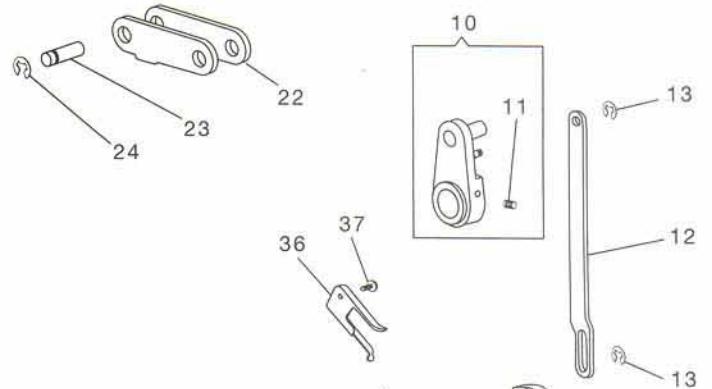
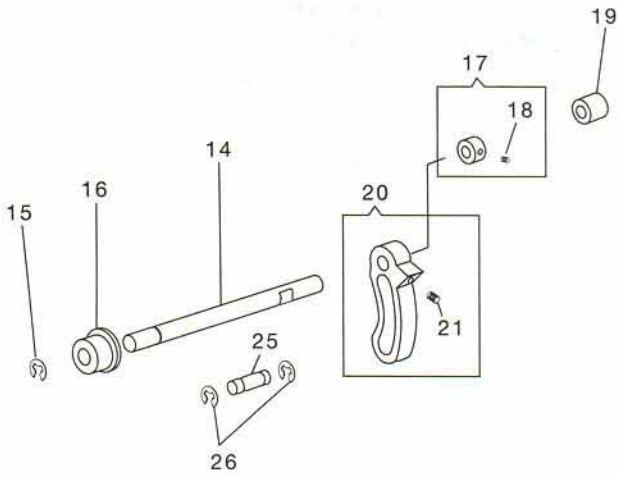
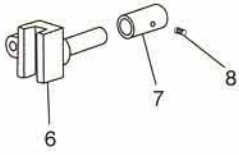
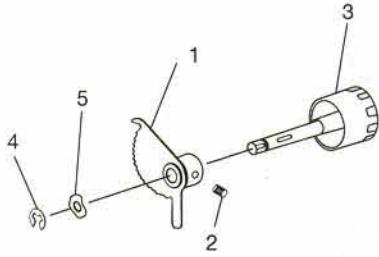


NO.	PART NO.	644	654	QTY.	DESCRIPTION
1	550467	*	*	1	FEED CRANK (LEFT) COMP.
2	544207-011	*	*	2	FEED CRANK (LEFT) SCREW
3	544207-011	*	*	1	FEED CRANK (LEFT) STUD SCREW
4	550473	*	*	1	FEED CRANK (LEFT) STUD
5	543801-006	*	*	1	FEED CRANK (LEFT) STUD RETAINING RING
6	542402	*	*	1	FEED CRANK (LEFT) STUD THRUST WASHER
7	550460	*	*	1	FEED CRANK SHAFT BUSHING (LEFT)
8	550459	*	*	1	FEED CRANK SHAFT BUSHING (RIGHT)
9	543531	*	*	1	FEED CRANK SHAFT THRUST WASHER
10	550458	*	*	1	FEED CRANK SHAFT
11	543801-005	*	*	1	FEED CRANK SHAFT BUSHING RETAINING RING
12	543815-006	*	*	1	FEED CRANK SHAFT THRUST WASHER
13	550467	*	-	1	FEED CRANK (RIGHT) COMP.
14	544207-011	*	-	2	FEED CRANK (RIGHT) SCREW
15	544207-011	*	-	1	FEED CRANK (RIGHT) STUD SCREW
16	550471	-	*	1	FEED CRANK (RIGHT) (FOR DIFF.FEED) COMP.
17	544207-011	-	*	1	FEED CRANK (RIGHT) (FOR DIFF.FEED) SCREW.
18	544207-011	-	*	2	FEED CRANK (RIGHT) STUD SCREW
19	544207-011	-	*	1	DIFFERENTIAL FEED CRANK STUD SCREW
20	550464	*	*	1	FEED REGULATOR CRANK ROD COMP.
21	543801-006	*	*	1	FEED CRANK ROD STUD RETAINING RING
22	412635	*	*	1	FEED CRANK ROD STUD
23	543531	*	*	1	FEED CRANK ROD STUD THRUST WASHER
24	543801-006	*	*	1	FEED CRANK (RIGHT) STUD RETAINING RING
25	550469	*	*	1	FEED CRANK (RIGHT) STUD
26	542402	*	*	1	FEED CRANK (RIGHT) STUD THRUST WASHER
27	556086	*	*	1	FEED CAM COMP.
28	544207-011	*	*	2	FEED CAM SCREW
29	550463-900	*	*	1	FEED CRANK ROD
30	544207-011	*	*	1	FEED CRANK ROD PIN SCREW
31	550583	*	-	1	FEED BAR
32	550483	*	-	1	FEED DOG
33	544103	*	-	2	FEED DOG SCREW
34	550579	*	*	1	FEED LIFTING CAM COMP.
35	544207-011	*	*	2	FEED LIFTING CAM SCREW
36	410387	*	*	1	FEED LIFTING CAM SLIDE BLOCK
37	543818-010	*	*	1	FEED LIFTING CAM SLIDE BLOCK RETAINING RING
38	550638	-	*	1	MAIN FEED BAR
39	550499	-	*	1	MAIN FEED DOG
40	544211-002	-	*	2	MAIN FEED DOG SCREW
41	550497	-	*	1	MAIN FEED BAR SPRING SCREW STUD
42	550498	-	*	1	AUXILIARY FEED SUPPORT BRACKET
43	544211-002	-	*	2	AUXILIARY FEED SUPPORT BRACKET SCREW
44	550500	-	*	1	AUXILIARY FEED BAR
45	550503	-	*	1	AUXILIARY FEED BAR GUIDE PIN SCREW
46	543801-003	-	*	2	AUXILIARY FEED BAR LINK RETAINING RING
47	550504	-	*	1	AUXILIARY FEED BAR LINK
48	557745	-	*	1	DIFFERENTIAL FEED ARM COMP.
49	550509	-	*	1	MAIN FEED BAR SPRING
50	550502	-	*	1	AUXILIARY FEED DOG
51	544212-003	-	*	1	AUXILIARY FEED DOG SCREW
52	543804-003	-	*	1	AUXILIARY FEED DOG SCREW WASHER
53	550501	-	*	1	AUXILIARY FEED DOG HOLDER
54	544211-002	-	*	1	AUXILIARY FEED DOG HOLDER SCREW



NO.	PART NO.	644	654	QTY.	DESCRIPTION
1	557715	*	*	1	FEED REGULATOR DRIVING CAM (BODY) COMP.
2	544207-011	*	*	1	FEED REGULATOR DRIVING CAM SCREW
3	557717-401	*	*	1	FEED DIAL (GRAPHIC)
4	543801-006	*	*	1	FEED DIAL (GRAPHIC) REGAINING RING
5	409213	*	*	1	FEED DIAL WAVE WASHER
6	281401	*	*	1	FEED REGULATOR
7	410370	*	*	1	FEED REGULATOR STUD BUSHING
8	544207-011	*	*	1	FEED REGULATOR STUD BUSHING SET SCREW
9	281485	*	*	1	FEED REGULATOR LEVER SPRING
10	281413	*	-	1	FEED REGULATOR LEVER COMP.
10	550490	-	*	1	FEED REGULATOR LEVER COMP.
11	544207-011	*	*	1	FEED REGULATOR LEVER SCREW
12	550523	-	*	1	DIFFERENTIAL FEED SAFETY PLATE
13	543801-002	-	*	2	DIFFERENTIAL FEED SAFETY PLATE RETAINING PLATE
14	550510	-	*	1	DIFFERENTIAL FEED SHAFT
15	543801-006	-	*	1	DIFFERENTIAL FEED SHAFT RETAINING RING
16	557748	-	*	1	DIFFERENTIAL FEED SHAFT BUSHING (LEFT)
17	375390	-	*	1	DIFFERENTIAL FEED SHAFT COLLAR COMP.
18	544207-011	-	*	1	DIFFERENTIAL FEED SHAFT COLLAR SCREW
19	410324	-	*	1	DIFFERENTIAL FEED SHAFT BUSHING
20	550584	-	*	1	DIFFERENTIAL FEED ADJUSTING ARM COMP.
21	544207-011	-	*	1	DIFFERENTIAL FEED ADJUSTING ARM SCREW
22	412622	-	*	1	DIFFERENTIAL FEED CRANK ROD
23	412620	-	*	1	DIFFERENTIAL FEED CRANK STUD
24	543801-006	-	*	1	DIFFERENTIAL FEED CRANK STUD RETAINING RING
25	412627	-	*	1	DIFFERENTIAL FEED CRANK ROD STUD
26	543801-006	-	*	2	DIFFERENTIAL FEED CRANK ROD STUD RETAINING RING
27	557728	-	*	1	DIFFERENTIAL FEED ADJUSTING LEVER (LOWER)
28	550519	-	*	1	DIFFERENTIAL FEED LEVER LINK COMP.
29	543801-005	-	*	1	DIFFERENTIAL FEED LEVER RETAINING RING
30	543801-006	-	*	1	DIFFERENTIAL FEED ADJUSTING LEVER (LOWER) RETAINING RING
31	550572	-	*	1	DIFFERENTIAL FEED LEVER COMP.
32	544207-011	-	*	1	DIFFERENTIAL FEED ADJUSTING LEVER SCREW
33	412644	-	*	1	DIFFERENTIAL FEED ADJUSTING LEVER STUD
34	543801-006	-	*	2	DIFFERENTIAL FEED ADJUSTING LEVER STUD RETAINING RING
35	544207-011	-	*	1	DIFFERENTIAL FEED ADJUSTING LEVER STUD SCREW
36	550524	-	*	1	DIFFERENTIAL FEED ADJUSTING LEVER SPRING
37	544270-001	-	*	1	DIFFERENTIAL FEED ADJUSTING LEVER SPRING SCREW
38	557733	-	*	1	DIFFERENTIAL FEED ADJUSTING LEVER COMP.
39	543808-003	-	*	1	DIFFERENTIAL FEED ADJUSTING LEVER PIN
40	543803-005	-	*	1	DIFFERENTIAL FEED ADJUSTING LEVER WASHER
41	557720-391	-	*	1	DIFFERENTIAL FEED ADJUSTING LEVER KNOB





NO.	PART NO.	644	654	QTY.	DESCRIPTION
1	369308	*	*	1	LAMP HOLDER COMP. (FOR 120-127V)
2	557727	*	*	1	LAMP HOLDER BRACKET
3	544211-002	*	*	2	LAMP HOLDER COMP.SCREW
4	544212-002	*	*	2	LAMP HOLDER BRACKET SCREW
5	194120-019	*	*	1	LAMP (FOR 120-127V,15W)
6	412737	*	*	1	CORD CLAMPING PLATE
7	544212-001	*	*	1	CORD CLAMPING PLATE SCREW
8	369432-120	*	*	1	MOTOR, SWITCH COMP. (FOR 120V)
8	369432-127	*	*	1	MOTOR, SWITCH COMP. (FOR 127V)
9	544499-001	*	*	1	MOTOR, BRACKET SCREW
10	543805-005	*	*	1	MOTOR, BRACKET SCREW WASHER
11	557725	*	*	1	TIMING BELT
12	410252	*	*	1	ROTATING SHAFT BUSHING (LEFT)
13	410253	*	*	1	ROTATING SHAFT BUSHING (RIGHT)
14	408730	*	*	2	ROTATING SHAFT THRUST WASHER
15	557723	*	*	1	ROTATING SHAFT
16	543801-010	*	*	1	ROTATING SHAFT RETAINING RING
17	543808-004	*	*	1	ROTATING SHAFT SPRING PIN
18	550527	*	*	1	ROTATING SHAFT BALANCE WEIGHT COMP.
19	544207-011	*	*	2	ROTATING SHAFT BALANCE WEIGHT COMP.SCREW
20	557724-391	*	*	1	TIMING BELT PULLEY
21	543848	*	*	1	TIMING BELT PULLEY SET SCREW WASHER
22	544270-001	*	*	1	TIMING BELT PULLEY SET SCREW
23	369434-003	*	*	1	CONTROLLER COMP. (TRIAC 100-120V)(PLUG A-TYPE)
24	369434-013	*	*	1	CONTROLLER COMP. (TRIAC 127V)(PLUG A-TYPE)