

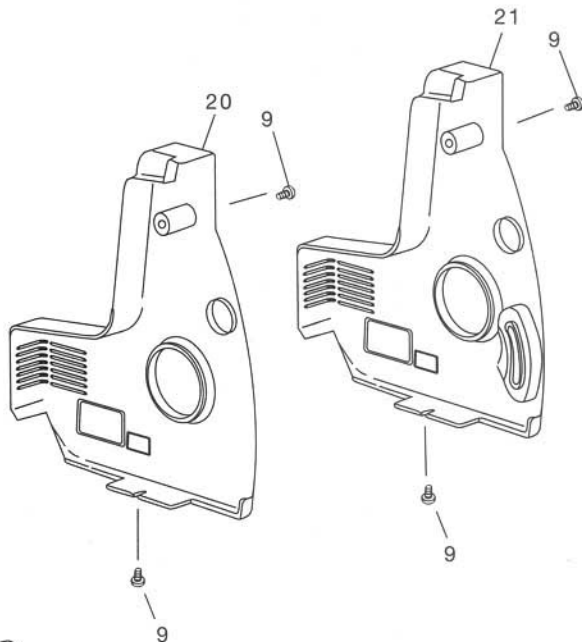
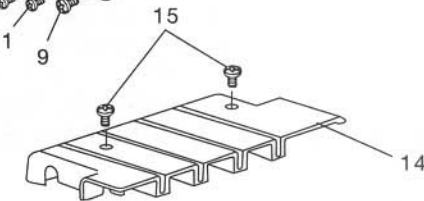
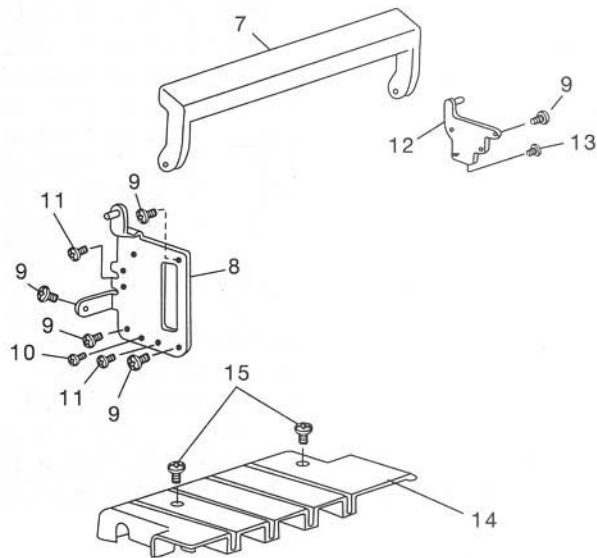
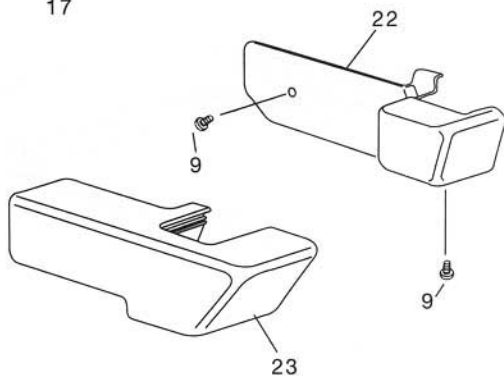
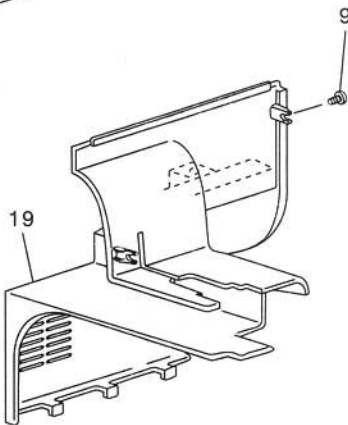
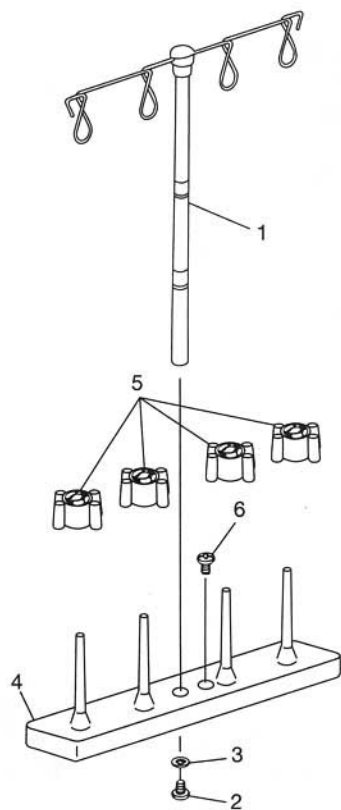
# ILLUSTRATED PART LIST

# SINGER®

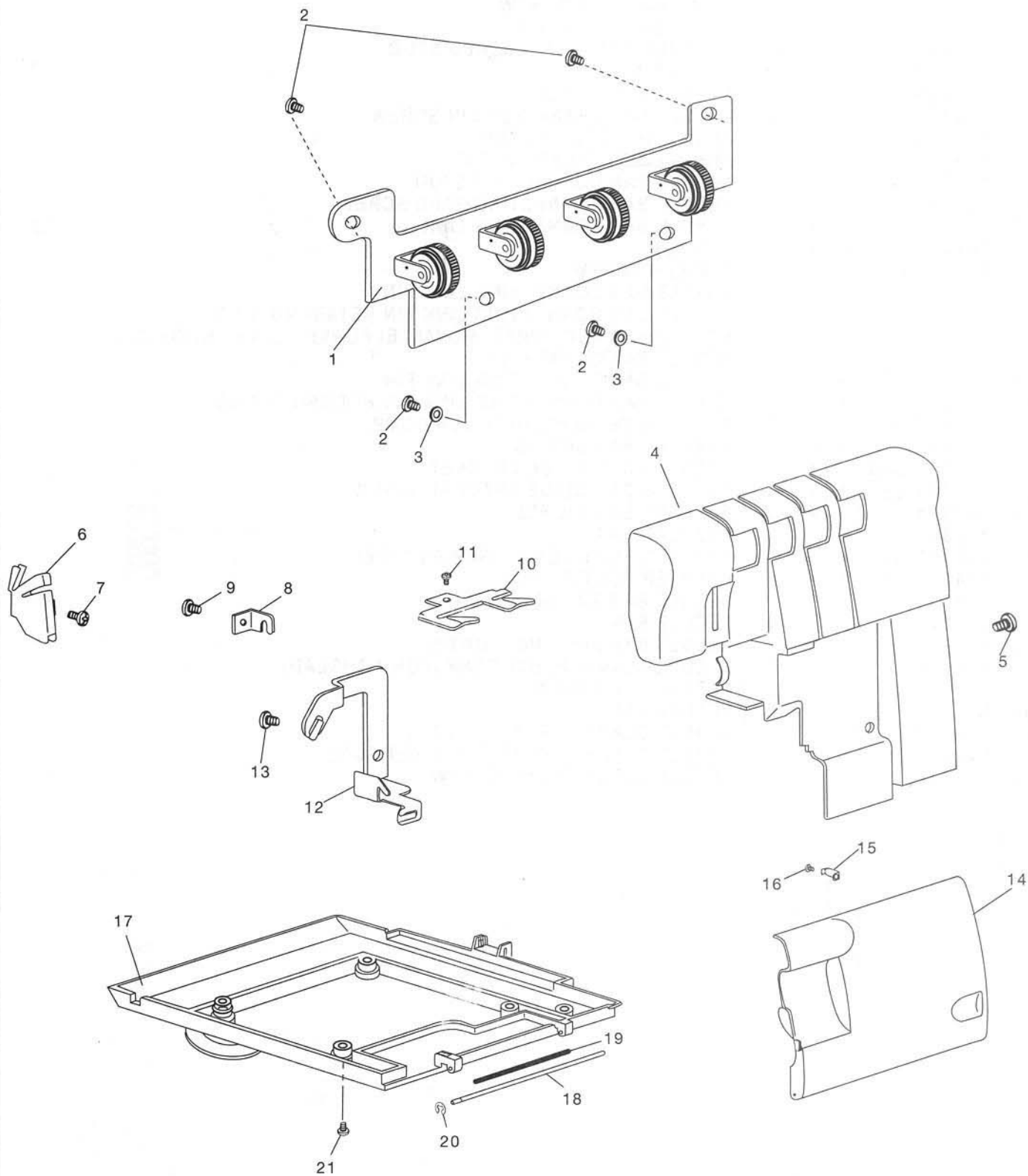
## OVERLOCK MACHINE

14SH 644  
654

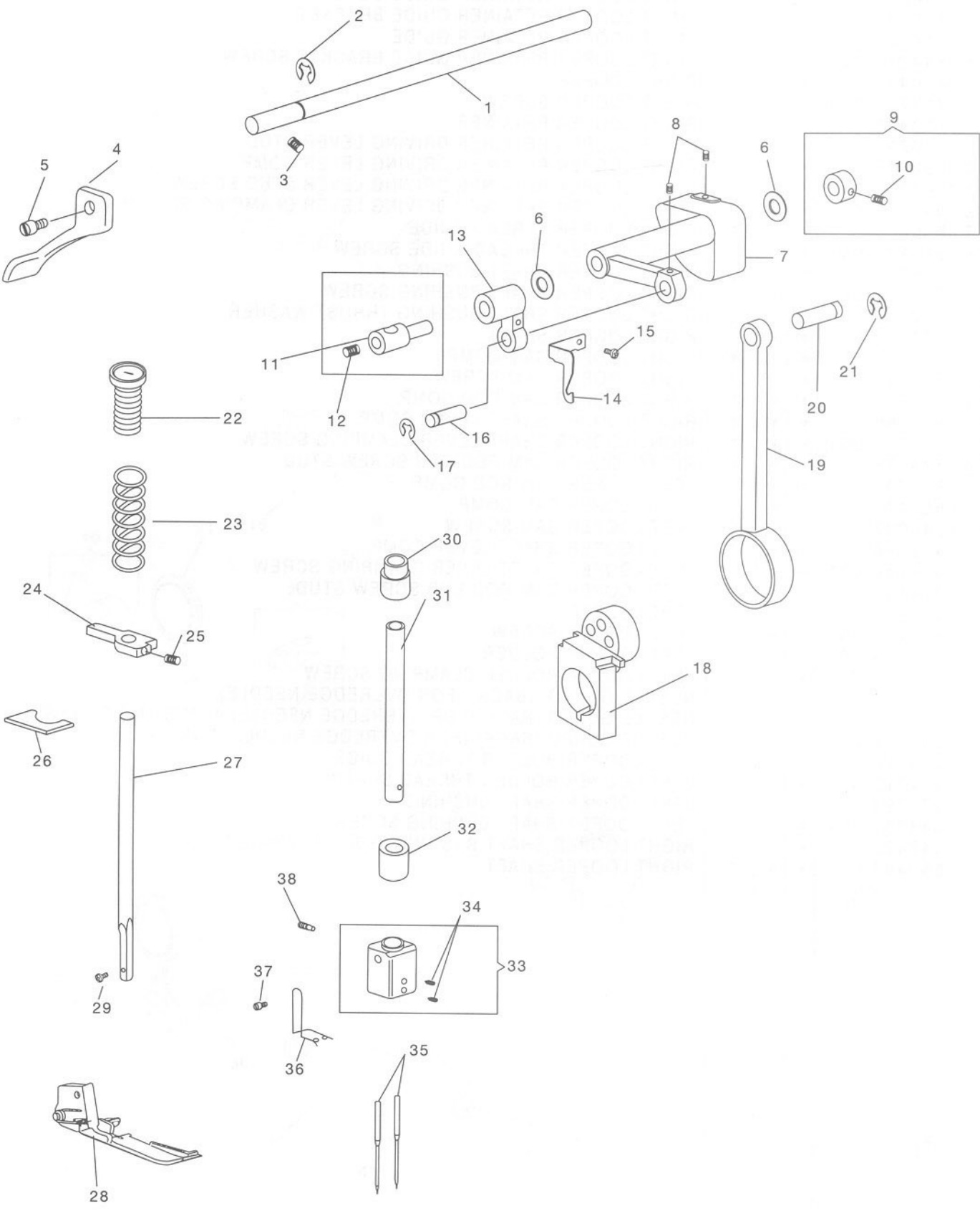
NO.	PART NO.	644	654	QTY.	DESCRIPTION
1	550346	*	*	1	THREAD UNWINDER THREAD GUIDE ROD COMP.
2	544212-003	*	*	1	THREAD UNWINDER THREAD GUIDE ROD SCREW
3	543805-003	*	*	1	THREAD UNWINDER THREAD GUIDE ROD SCREW WASHER
4	556181-391	*	*	1	THREAD UNWINDER
5	546893	*	*	4	SPOOL HOLDER
6	412697-002	*	*	1	THREAD UNWINDER(COMP.)SCREW
7	281436-452	*	*	1	HANDLE
8	556159	*	*	1	HANDLE BRACKET(LEFT)COMP.
9	544270-001	*	*	12	SCREW
10	544211-002	*	*	1	PRESSER BAR OIL FELT SCREW
11	544212-001	*	*	2	HANDLE BRACKET (LEFT) COMP.SCREW
12	556156	*	*	1	HANDLE BRACKET (RIGHT) COMP.
13	544212-001	*	*	1	HANDLE BRACKET (RIGHT) COMP.SCREW
14	556153-401	*	*	1	TOP COVER COMP.
15	544212-072	*	*	2	TOP COVER SCREW
16	556170-401	*	*	1	LIGHT COVER COMP.
17	550332	*	*	1	LIGHT GRILLE
18	412697-002	*	*	1	LIGHT GRILLE SCREW
19	556173-391	*	*	1	REAR COVER
20	556174-391	*	-	1	PULLEY COVER
21	556175-391	-	*	1	PULLEY COVER (FOR DIFFERENTIAL FEED)
22	556179-391	*	*	1	CYLINDER COVER
23	556176-401	*	*	1	CLOTH PLATE COMP.



NO.	PART NO.	644	654	QTY.	DESCRIPTION
1	556187-401	*	*	1	ONE TURN TENSION DIAL COMP.
2	412697-002	*	*	4	ONE TURN TENSION DIAL COMP. SET SCREW
3	543804-003	*	*	2	ONE TURN TENSION DIAL COMP. SET SCREW WASHER
4	556183-401	*	*	1	FRONT COVER (GRAPHIC)
5	544270-001	*	*	1	FRONT COVER SCREW
6	281487	*	*	1	FRONT COVER THREAD GUIDE
7	412697	*	*	1	FRONT COVER THREAD GUIDE BRACKET SCREW
8	412531	*	*	1	FRONT COVER THREAD GUIDE (SMALL)
9	412697-003	*	*	1	FRONT COVER THREAD GUIDE (SMALL) SCREW
10	550352	*	*	1	FRONT COVER THREAD GUIDE (LOWER)
11	544211-002	*	*	1	FRONT COVER THREAD GUIDE (LOWER) SCREW
12	550412	*	*	1	LOOPER THREAD GUIDE
13	412697-003	*	*	1	LOOPER THREAD GUIDE SCREW
14	556163-401	*	-	1	LOOPER COVER (GRAPHIC) (FOR 644)
14	556163-402	-	*	1	LOOPER COVER (GRAPHIC) (FOR 654)
15	556165	*	*	1	LOOPER COVER HOOK
16	544248-003	*	*	1	LOOPER COVER HOOK SCREW
17	556166-401	*	*	1	MACHINE BASE COMP.
18	556168	*	*	1	LOOPER COVER HINGE PIN
19	556169	*	*	1	LOOPER COVER HINGE PIN SPRING
20	543801-002	*	*	1	LOOPER COVER HINGE PIN RETAINING RING
21	544213-005	*	*	4	MACHINE BASE SCREW



NO.	PART NO.	644	654	QTY.	DESCRIPTION
1	376814	*	*	1	ARM SHAFT
2	543801-007	*	*	1	ARM SHAFT RETAINING RING
3	544207-011	*	*	1	ARM SHAFT SET SCREW
4	556197-391	*	*	1	PRESSER BAR LIFTER
5	544441	*	*	1	PRESSER BAR LIFTER SCREW STUD
6	542402	*	*	2	THRUST WASHER
7	550405-900	*	*	1	NEEDLE BAR CRANK
8	544207-011	*	*	2	NEEDLE BAR CRANK ROD PIN SCREW
9	550393	*	*	1	ARM SHAFT COLLAR COMP.
10	544207-011	*	*	1	ARM SHAFT COLLAR SCREW
11	410326-900	*	*	1	NEEDLE BAR CONNECTING STUD
12	544044	*	*	1	NEEDLE BAR CONNECTING STUD SCREW
13	410327	*	*	1	NEEDLE BAR CONNECTING LINK
14	281488	*	*	1	STRIKER
15	544211-051	*	*	1	STRIKER SCREW
16	370270-900	*	*	1	NEEDLE BAR CONNECTING LINK PIN
17	543801-006	*	*	1	NEEDLE BAR CONNECTING LINK PIN RETAINING RING
18	556139	*	*	1	NEEDLE BAR ECC. KNIFE (MOVABLE) FORKED LEVER SLIDE BLOCK
19	557726	*	*	1	NEEDLE BAR CRANK ROD
20	370270-910	*	*	1	NEEDLE BAR CONNECTING LINK PIN
21	543801-006	*	*	1	NEEDLE BAR CONNECTING LINK PIN RETAINING RING
22	550370-391	*	*	1	PRESSER REGULATING THUMB COMP.
23	410355	*	*	1	PRESSER BAR SPRING
24	410353-900	*	*	1	PRESSER BAR GUIDE BRACKET
25	544204-001	*	*	1	PRESSER BAR GUIDE BRACKET SCREW
26	550304	*	*	1	PRESSER BAR OIL FELT
27	410351	*	*	1	PRESSER BAR
28	550375-452	*	*	1	PRESSER FOOT COMP (SNAP-ON TYPE)
29	504063-451	*	*	1	PRESSER FOOT SCREW
30	410323	*	*	1	NEEDLE BAR BUSHING (UPPER)
31	376844	*	*	1	NEEDLE BAR
32	410324	*	*	1	NEEDLE BAR BUSHING (LOWER)
33	556199	*	*	1	NEEDLE CLAMP (BODY) COMP.(FOR 4 THREAD)
34	374573	*	*	2	NEEDLE SET SCREW
35	N2022-90-14	*	*	2	NEEDLE(#14)
36	376848	*	*	1	NEEDLE CLAMP THREAD GUIDE
37	544211-059	*	*	1	NEEDLE CLAMP THREAD GUIDE SET SCREW
38	374102	*	*	1	NEEDLE CLAMP (BODY) SCREW



NO.	PART NO.	644	654	QTY.	DESCRIPTION
1	550396	*	*	1	RIGHT LOOPER RETAINER GUIDE COLLAR COMP.
2	544207-011	*	*	2	RIGHT LOOPER RETAINER GUIDE COLLAR SCREW
3	370281	*	*	1	RIGHT LOOPER RETAINER GUIDE BRACKET
4	410429	*	*	1	RIGHT LOOPER RETAINER GUIDE
5	544213-002	*	*	2	RIGHT LOOPER RETAINER GUIDE BRACKET SCREW
6	410434	*	*	1	RIGHT LOOPER
7	414749-003	*	*	1	RIGHT LOOPER SCREW
8	410435	*	*	1	RIGHT LOOPER RETAINER
9	370290	*	*	1	RIGHT LOOPER RETAINER DRIVING LEVER STUD
10	550587	*	*	1	RIGHT LOOPER RETAINER DRIVING LEVER COMP.
11	544207-011	*	*	1	RIGHT LOOPER RETAINER DRIVING LEVER STUD SCREW
12	544213-053	*	*	1	RIGHT LOOPER RETAINER DRIVING LEVER CLAMPING SCREW
13	550406	*	*	1	RIGHT LOOPER THREAD GUIDE
14	544212-001	*	*	1	RIGHT LOOPER THREAD GUIDE SCREW
15	376799	*	*	1	RIGHT LOOPER SHAFT BUSHING
16	544207-011	*	*	1	RIGHT LOOPER SHAFT BUSHING SCREW
17	542402	*	*	2	RIGHT LOOPER SHAFT BUSHING THRUST WASHER
18	376813	*	*	1	RIGHT LOOPER SHAFT
19	550477	*	*	1	RIGHT LOOPER CAM COMP
20	544207-011	*	*	2	RIGHT LOOPER CAM SCREW
21	557703	*	*	1	RIGHT LOOPER CAM ROD COMP.
22	412796	*	*	1	RIGHT LOOPER SHAFT LEVER COMP.
23	414750-001	*	*	1	RIGHT LOOPER SHAFT LEVER CLAMPING SCREW
24	374136	*	*	1	RIGHT LOOPER CAM ROD END SCREW STUD
25	557703	*	*	1	LEFT LOOPER CAM ROD COMP.
26	550477	*	*	1	LEFT LOOPER CAM COMP.
27	544207-011	*	*	2	LEFT LOOPER CAM SCREW
28	412798	*	*	1	LEFT LOOPER SHAFT LEVER COMP.
29	414750-001	*	*	1	LEFT LOOPER SHAFT LEVER CLAMPING SCREW
30	374136	*	*	1	LEFT LOOPER CAM ROD END SCREW STUD
31	550411	*	*	1	LEFT LOOPER
32	544211-052	*	*	1	LEFT LOOPER SCREW
33	376839-900	*	*	1	LEFT LOOPER HOLDER
34	414750-001	*	*	1	LEFT LOOPER HOLDER CLAMPING SCREW
35	281481	*	*	1	NEEDLE GUARD (BACK) (FOR OVEREDGE NEEDLE)
36	374392	*	*	1	NEEDLE GUARD (BACK)(FOR OVEREDGE NEEDLE) ADJUSTING SCREW
37	544212-001	*	*	1	NEEDLE GUARD (BACK) (FOR OVEREDGE NEEDLE) SCREW
38	550410	*	*	1	LEFT LOOPER HOLDER THREAD GUIDE
39	544212-001	*	*	1	LEFT LOOPER HOLDER THREAD SCREW
40	376798	*	*	1	LEFT LOOPER SHAFT BUSHING
41	544207-011	*	*	1	LEFT LOOPER SHAFT BUSHING SCREW
42	542402	*	*	2	RIGHT LOOPER SHAFT BUSHING THRUST WASHER
43	550407	*	*	1	RIGHT LOOPER SHAFT