

SINGER
14U65B,85B

PARTS LIST

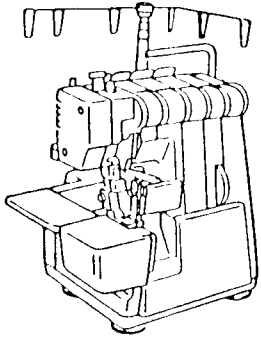
SINGER*

14U65B
85B

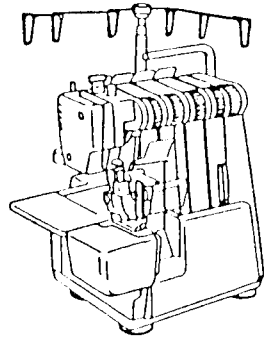
* A Trademark of THE SINGER COMPANY
Copyright ©1987 SINGER SEWING MACHINE COMPANY
All Rights Reserved Throughout The World

INDEX

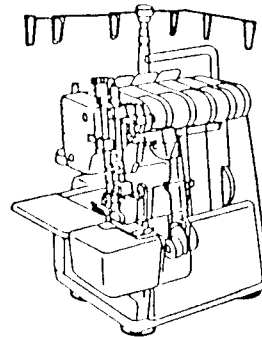
1



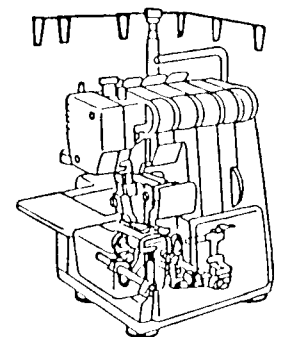
2



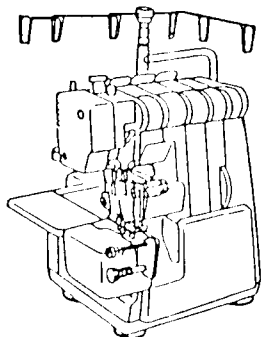
3



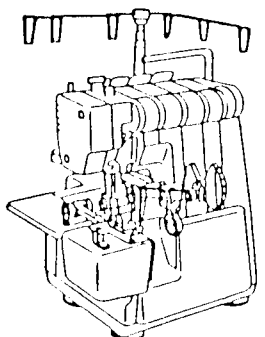
4



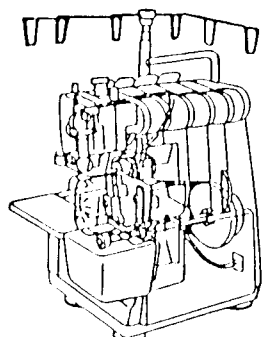
5



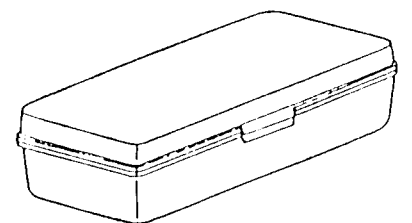
6

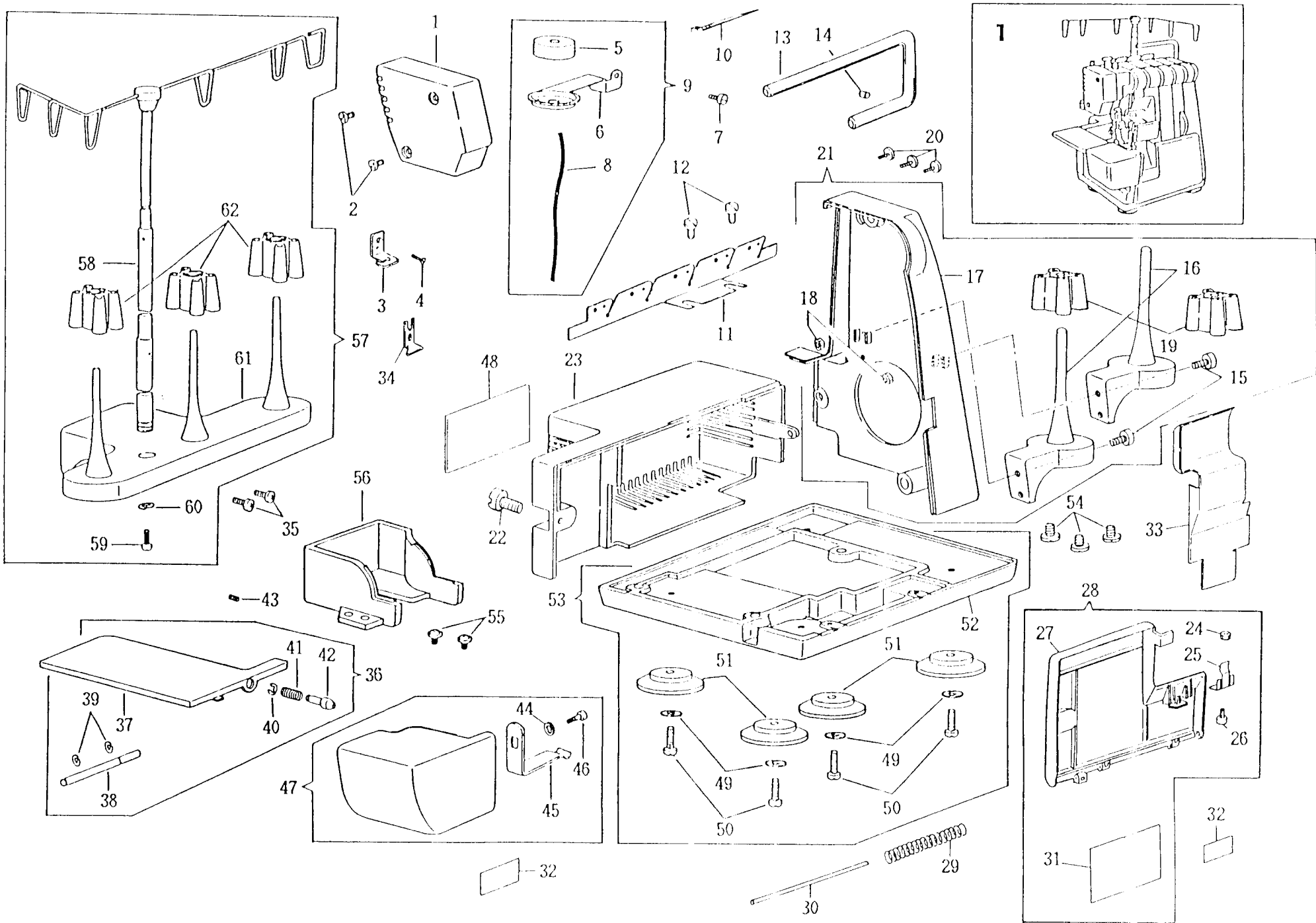


7

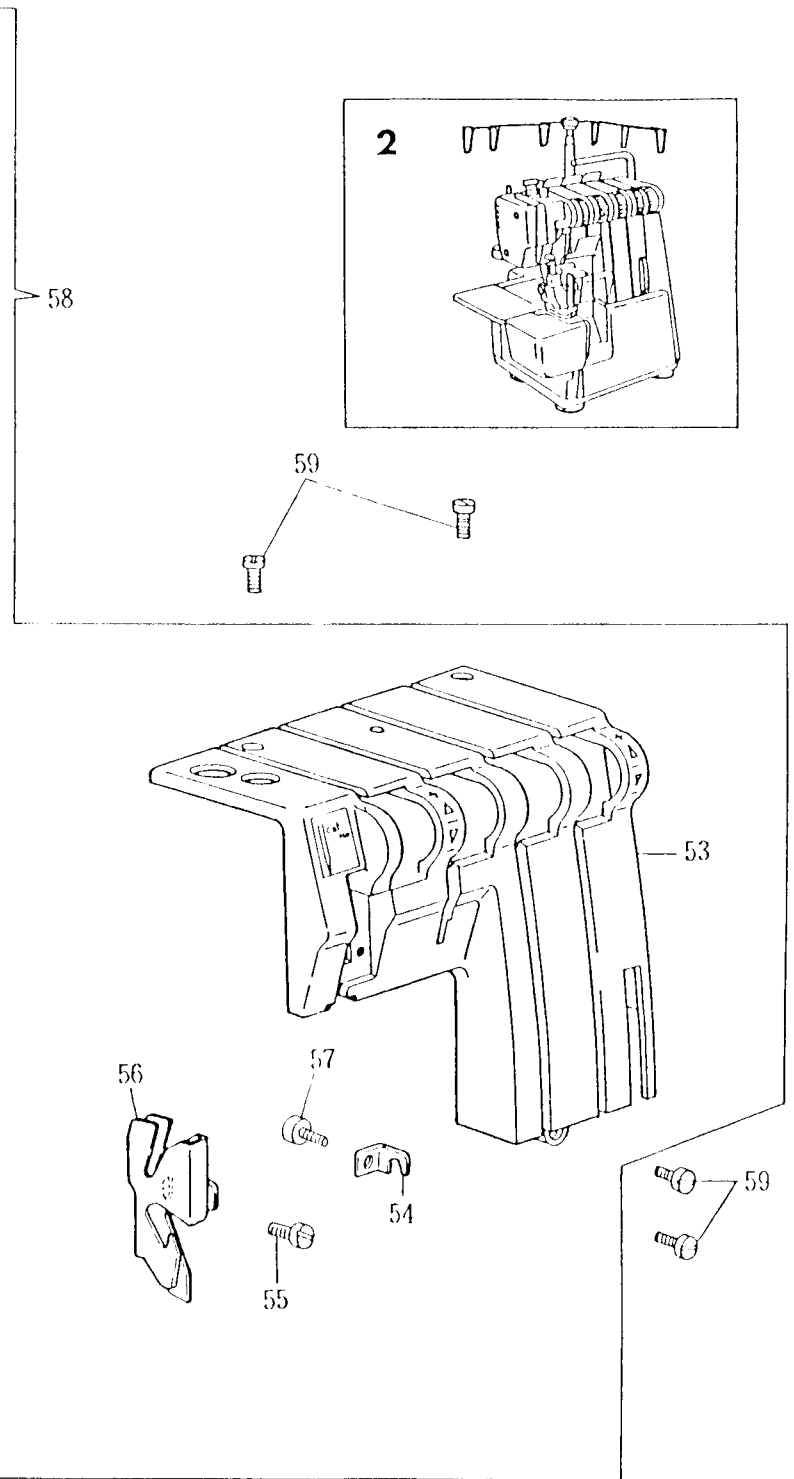
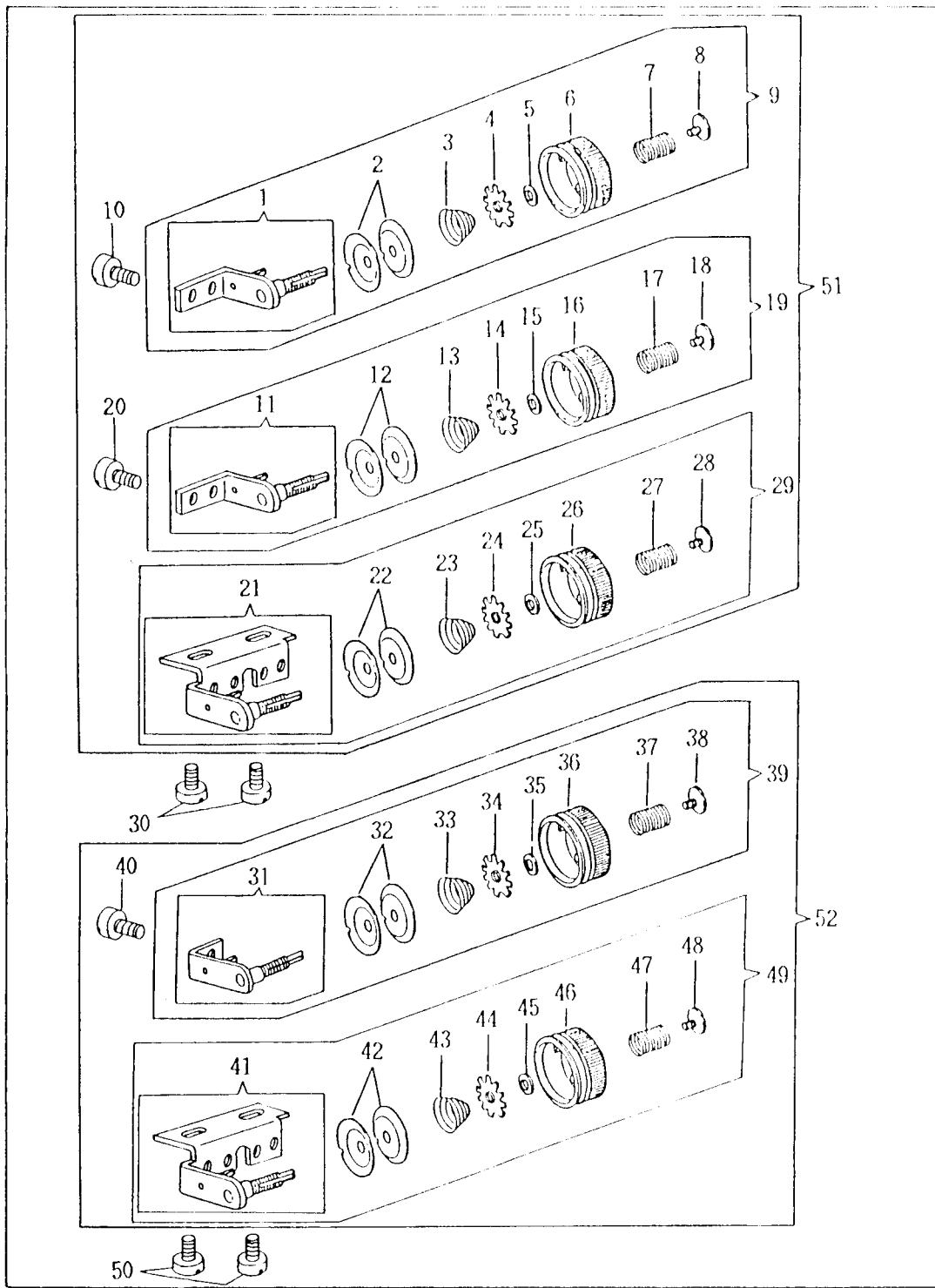


8

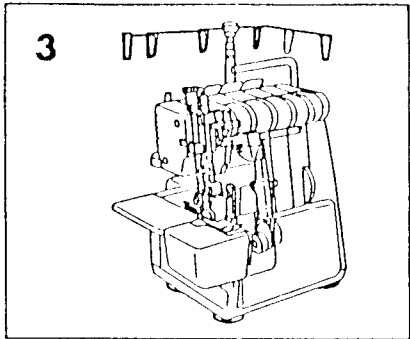
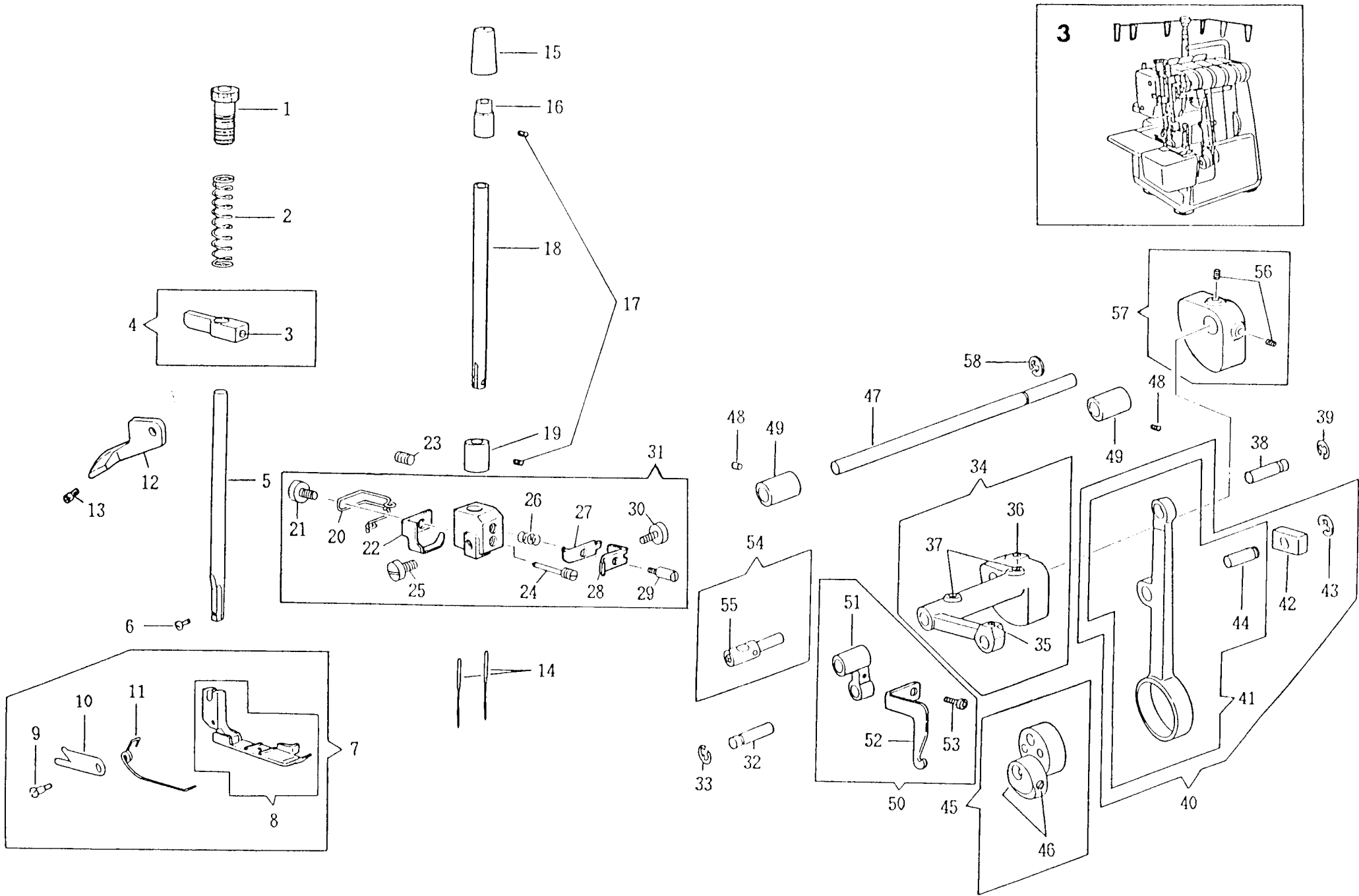




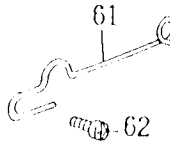
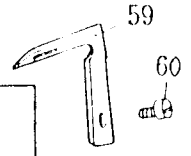
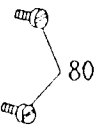
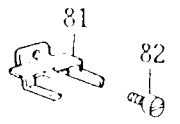
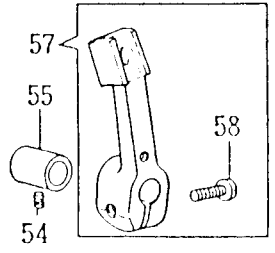
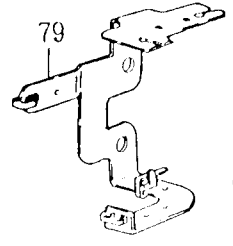
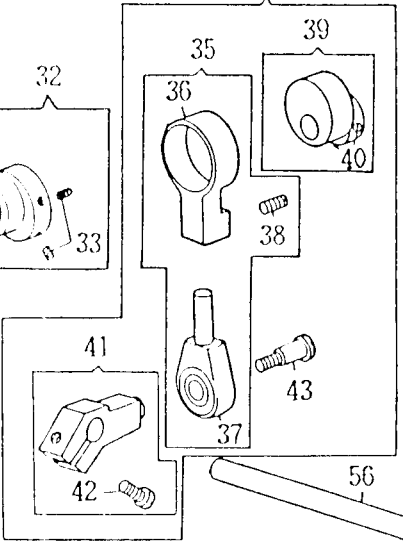
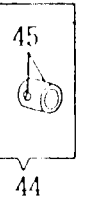
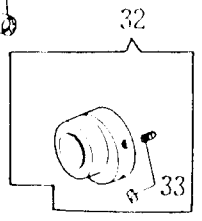
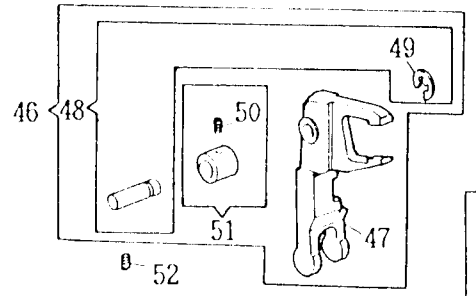
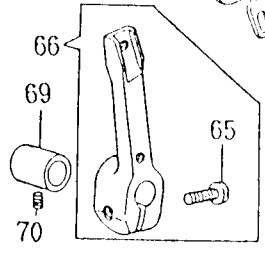
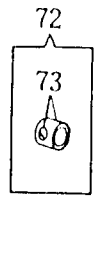
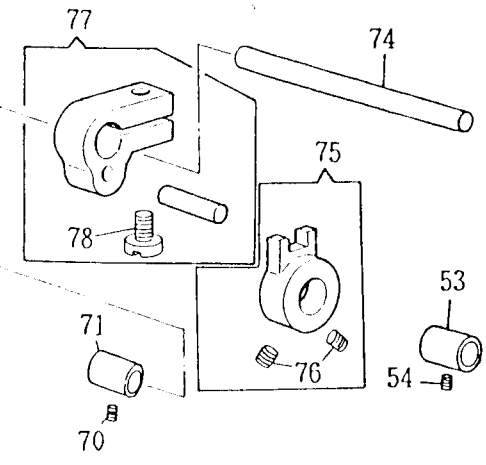
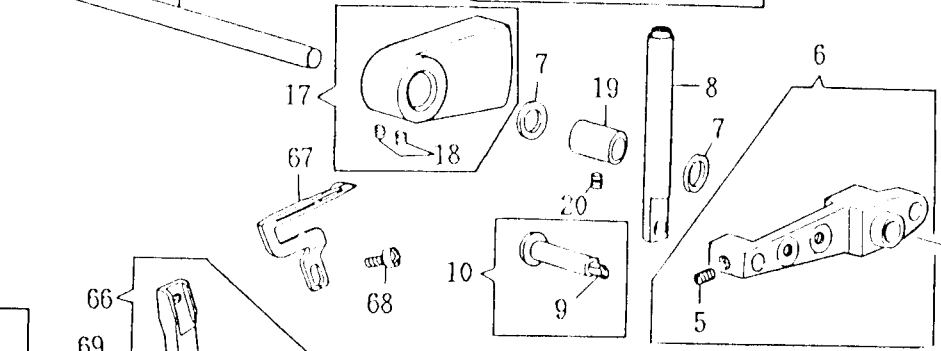
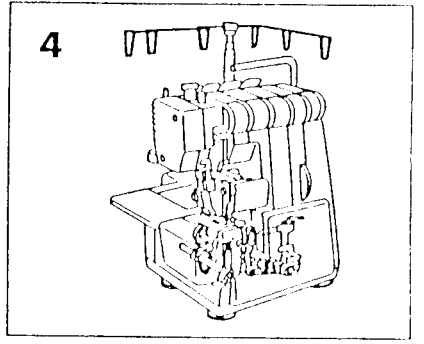
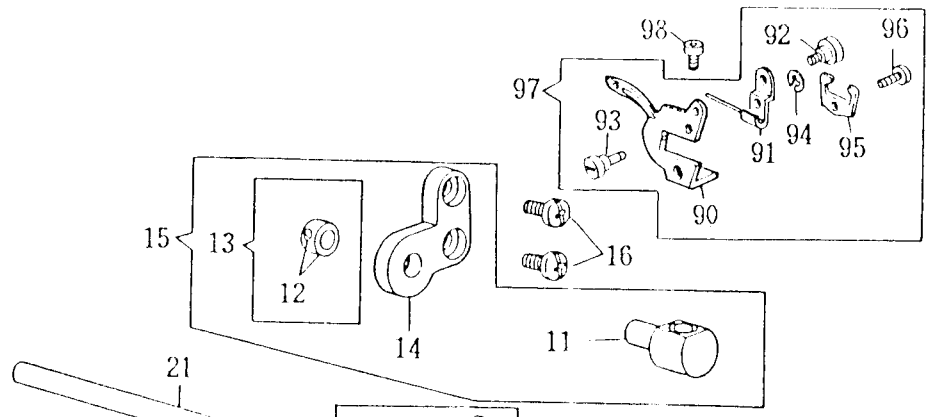
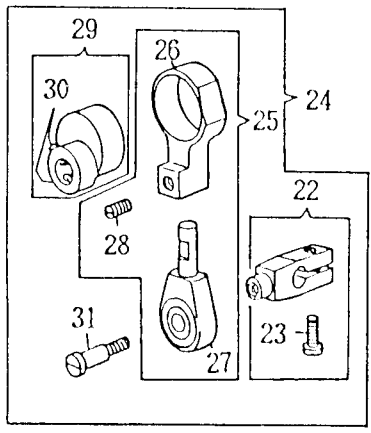
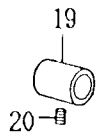
| PARTS NO. | DESCRIPTION | PARTS NO. | DESCRIPTION |
|---------------|--|---------------|---|
| 1 412735-002 | Light Cover | 37 376780-902 | Convertible Bed Plate (body) |
| 2 544212-072 | Light Cover Screw (2) | 38 376785 | Convertible Bed Plate Stud |
| 3 412534 | Needle Thread Guide | 39 546623 | Convertible Bed Plate Stud Retaining Ring (2) |
| 4 544258 | Needle Thread Guide Set Screw | 40 546623 | Convertible Bed Plate Latch Retaining Ring |
| 5 410205 | Felt | 41 376786 | Convertible Bed Plate Latch Spring |
| 6 410204 | Felt Support | 42 381874-451 | Convertible Bed Plate Latch |
| 7 544039 | Felt Support Set Screw | 43 544203-001 | Convertible Bed Plate Stud Set Screw |
| 8 543370 | Oil Wick | 44 543804-003 | Cylinder Cover Spring Clamping Screw Washer |
| 9 410203 | Felt Support Comp. | 45 412682 | Cylinder Cover Spring |
| 10 540899 | Cord Retainer | 46 412697 | Cylinder Cover Spring Clamping Screw |
| 11 376864 | Thread Guide Plate | 47 412706-002 | Cylinder Cover Comp. |
| 12 544212-001 | Thread Guide Plate Set Screw (2) | 48 419059-001 | Electrical Data Plate(for UL) |
| 13 410202 | Handle | 49 543803-004 | Machine Base Cushion Screw Washer (4) |
| 14 544204-005 | Handle Set Screw | 50 544218-001 | Machine Base Cushion Screw (4) |
| 15 544212-004 | Thread Unwinder (small) Screw (2) | 51 410208 | Machine Base Cushion (4) |
| 16 376779-002 | Thread Unwinder (small) (2) | 52 370257-451 | Machine Base |
| 17 376868-451 | Pulley Cover | 53 370256-451 | Machine Base Comp. |
| 18 541165-001 | Thread Unwinder (small) Screw Nut (2) | 54 544214-005 | Machine Base Set Screw (3) |
| 19 546893 | Spool Holder (2) | 55 544270-001 | Transformer Cover Screw (2) |
| 20 544270-001 | Pulley Cover Screw (3) | 56 412736-002 | Transformer Cover |
| 21 376867-451 | Pulley Cover Comp. | 57 376865-451 | Thread Unwinder Comp. |
| 22 544270-001 | Motor Cover Screw | 58 376866 | Thread Unwinder Thread Guide Rod Comp. |
| 23 410248-003 | Motor Cover | 59 544212-003 | Thread Unwinder Thread Guide Rod Screw |
| 24 541165-001 | Chip Guard Presser Spring Screw Nut | 60 543805-003 | Thread Unwinder Thread Guide Rod Screw Washer |
| 25 376872 | Chip Guard Presser Spring | 61 410389-902 | Thread Unwinder |
| 26 544212-002 | Chip Guard Presser Spring Screw | 62 546893 | Spool Holder (3) |
| 27 376870-451 | Looper Cover | | |
| 27 376870-452 | Looper Cover (FOR DIFF. FEED M/C) | | |
| 28 376869-451 | Looper Cover Comp. | | |
| 28 376869-452 | Looper Cover Comp.(FOR DIFF. FEED M/C) | | |
| 29 376717 | Looper Cover Hinge Pin Spring | | |
| 30 410239 | Looper Cover Hinge Pin | | |
| 31 376873-002 | Threading Chart | | |
| 32 412611 | Caution Label (2) | | |
| 33 376874-451 | Chip Guide | | |
| 34 370264 | Needle Thread Guide Auxiliary Plate | | |
| 35 544213-001 | Thread Unwinder Comp. Screw (2) | | |
| 36 376781-002 | Convertible Bed Plate Comp. | | |



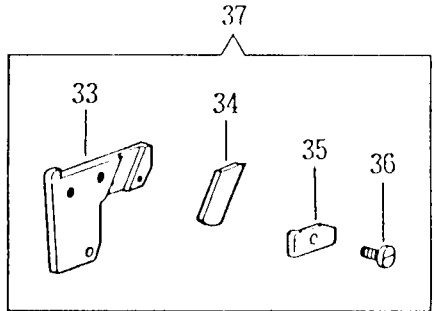
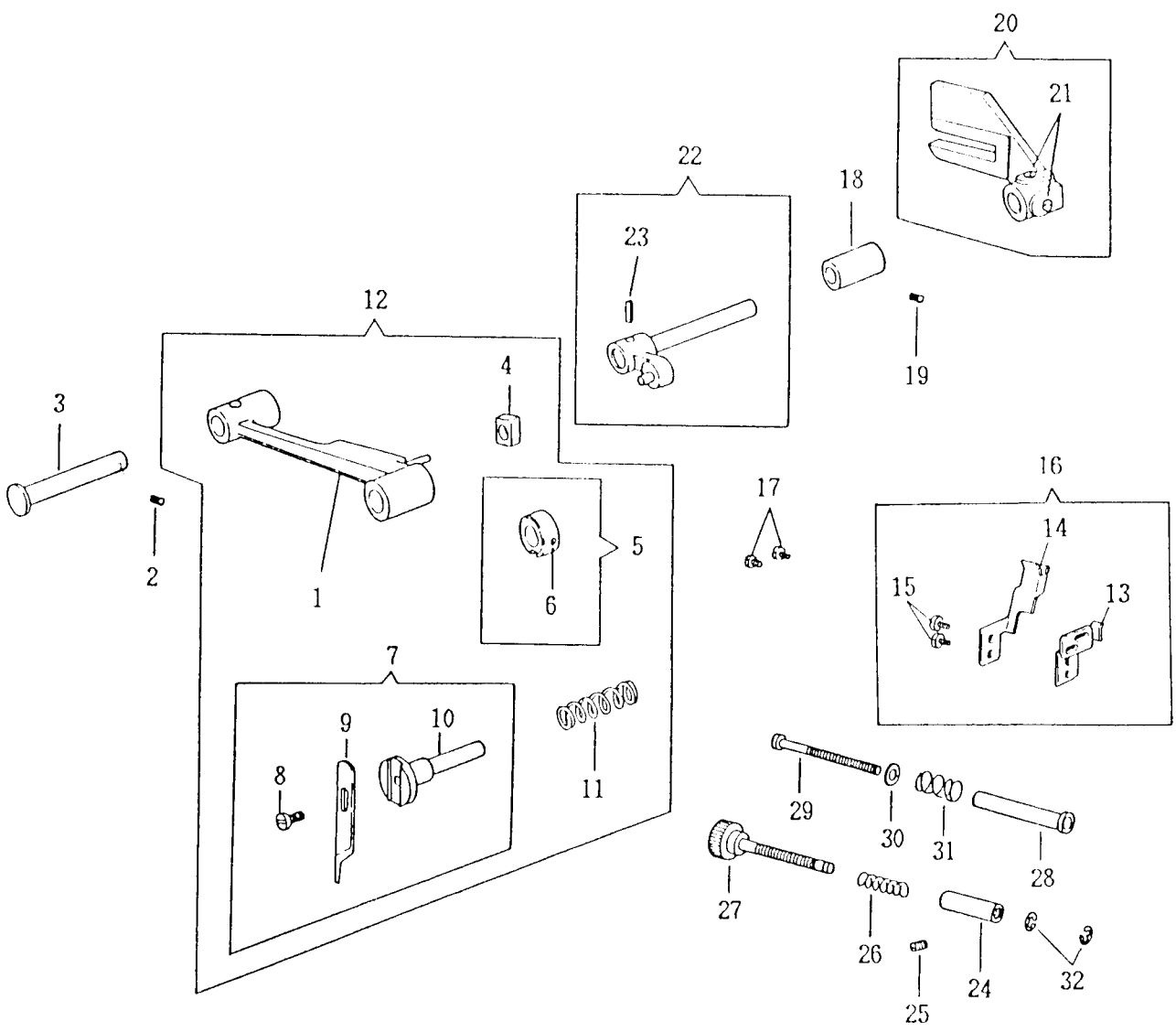
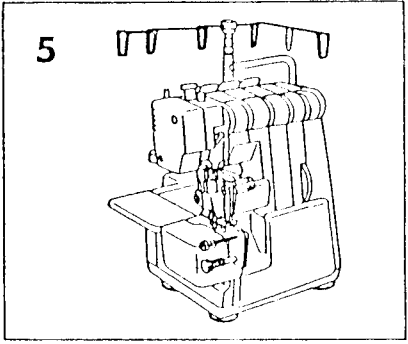
| PARTS NO. | DESCRIPTION | PARTS NO. | DESCRIPTION |
|---------------|---|---------------|---|
| 1 376818 | One Turn Tension Dial Bracket (chain stitch looper) Comp. | 37 410230 | Tension Dial Presser Spring |
| 2 410226 | Tension Disc (2) | 38 544265 | Tension Dial Presser Spring Screw |
| 3 412679 | Tension Disc Spring | 39 376830 | One Turn Tension Dial Bracket (right needle) Comp. |
| 4 370289 | Tension Disc Spring Nut | 40 544212-001 | One Turn Tension Dial Bracket (right needle) Comp. Set Screw |
| 5 412696 | Tension Dial Washer | 41 376817 | One Turn Tension Dial Bracket (left needle) Comp. |
| 6 410229-467 | Tension Dial (chain stitch looper) Comp. | 42 410226 | Tension Disc (2) |
| 7 410230 | Tension Dial Presser Spring | 43 412720 | Tension Disc Spring |
| 8 544265 | Tension Dial Presser Spring Screw | 44 370289 | Tension Disc Spring Nut |
| 9 376881 | One Turn Tension Dial Bracket (chain stitch looper) Comp. | 45 412696 | Tension Dial Washer |
| 10 544212-001 | One Turn Tension Dial Bracket (chain stitch looper) Comp. Set Screw | 46 410229-461 | Tension Dial (left needle) Comp. |
| 11 376818 | One Turn Tension Dial Bracket (left looper) Comp. | 47 410230 | Tension Dial Presser Spring |
| 12 410226 | Tension Disc (2) | 48 544265 | Tension Dial Presser Spring Screw |
| 13 412680 | Tension Disc Spring | 49 376819 | One Turn Tension Dial Bracket (Left Needle) Comp. |
| 14 370289 | Tension Disc Spring Nut | 50 412697-002 | One Turn Tension Dial Bracket (two needle) Comp. Set Screw |
| 15 412696 | Tension Dial Washer | 51 376822 | One Turn Tension Dial Bracket (right looper, left looper & chain stitch looper) Comp. |
| 16 410229-460 | Tension Dial (left looper) Comp. | 52 376821 | One Turn Tension Dial Bracket (two Needle) Comp. |
| 17 410230 | Tension Dial Presser Spring | 53 376876-451 | Front Cover Comp. |
| 18 544265 | Tension Dial Presser Spring Screw | 54 412531 | Front Cover Thread Guide (small) |
| 19 376831 | One Turn Tension Dial Bracket (left looper) Comp. | 55 412697 | Front Cover Thread Guide Bracket Screw |
| 20 544212-001 | One Turn Tension Dial Bracket (left looper) Comp. Set Screw | 56 376880 | Front Cover Thread Guide Bracket |
| 21 376817 | One Turn Tension Dial Bracket (right looper) Comp. | 57 412697-002 | Front Cover Thread Guide (small) Screw |
| 22 410226 | Tension Disc (2) | 58 376875-451 | Front Cover Comp. |
| 23 412679 | Tension Disc Spring | 59 544212-073 | Front Cover Screw (4) |
| 24 370289 | Tension Disc Spring Nut | | |
| 25 412696 | Tension Dial Washer | | |
| 26 410229-459 | Tension Dial (right looper) Comp. | | |
| 27 410230 | Tension Dial Presser Spring | | |
| 28 544265 | Tension Dial Presser Spring Screw | | |
| 29 376832 | One Turn Tension Dial Bracket (right looper) Comp. | | |
| 30 412697-002 | One Turn Tension Dial Bracket (right looper, left looper & chain stitch looper) Comp. Set Screw | | |
| 31 370245 | One Turn Tension Dial Bracket (right needle) Comp. | | |
| 32 410226 | Tension Disc (2) | | |
| 33 412720 | Tension Disc Spring | | |
| 34 370289 | Tension Disc Spring Nut | | |
| 35 412696 | Tension Dial Washer | | |
| 36 410229-462 | Tension Dial (right needle) Comp. | | |



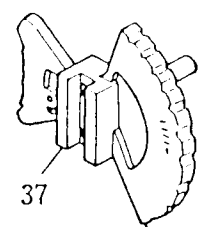
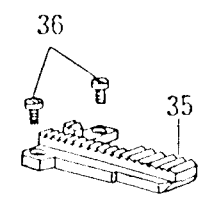
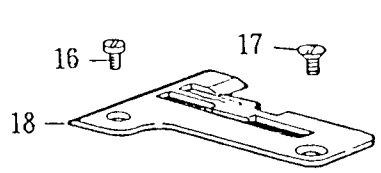
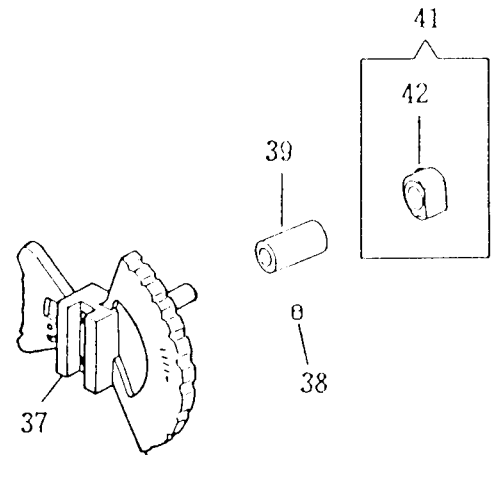
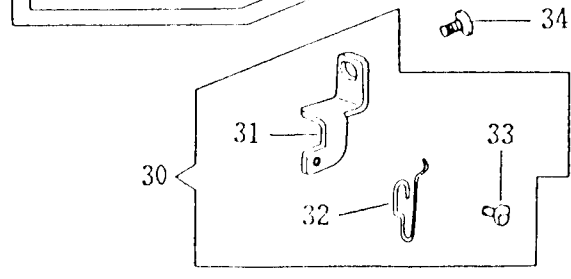
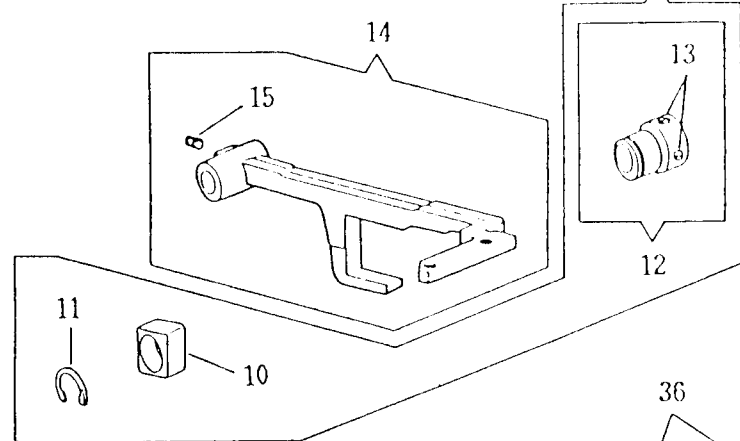
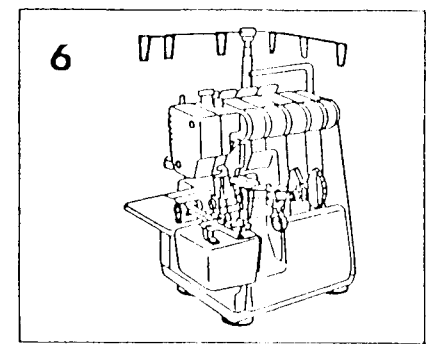
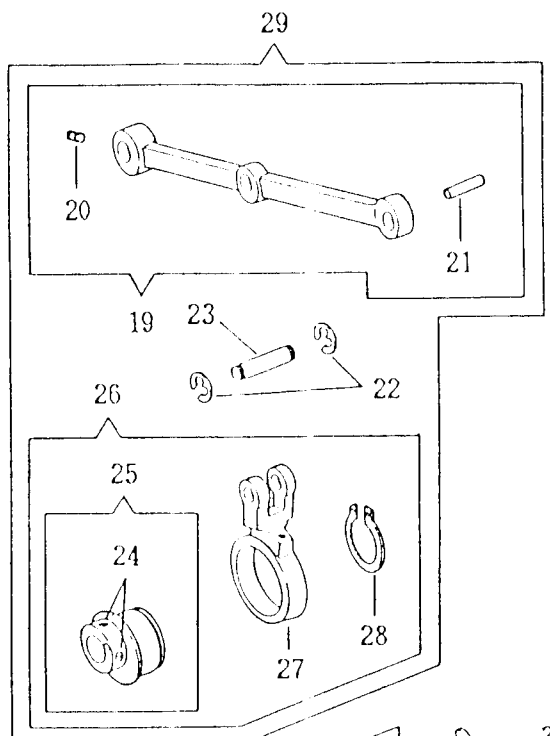
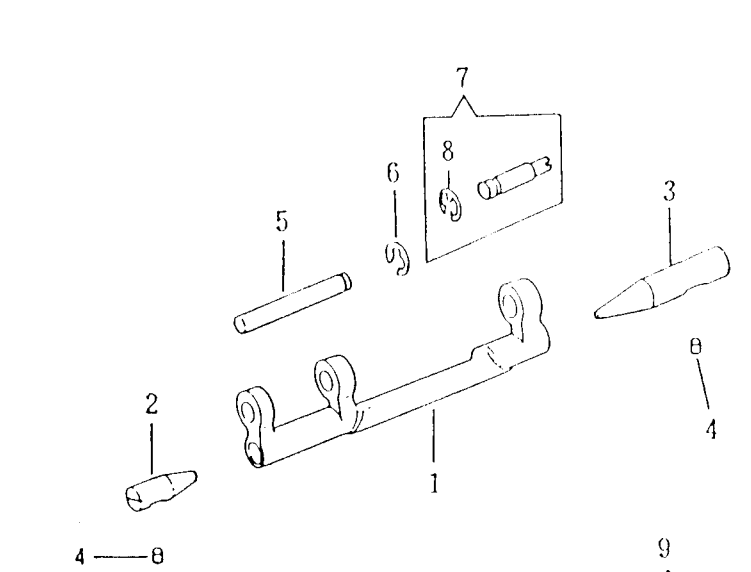
| | PARTS NO. | DESCRIPTION | | PARTS NO. | DESCRIPTION |
|----|-------------|---|----|------------|---|
| 1 | 544262-101 | Presser Regulating Thumb Screw | 39 | 543801-006 | Needle Bar Crank Rod Pin Retaining Ring |
| 2 | 410355 | Presser Bar Spring | 40 | 370242 | Needle Bar Crank Rod Comp. |
| 3 | 544204-001 | Presser Bar Guide Bracket Screw | 41 | 370243 | Needle Bar Crank Rod Comp. |
| 4 | 410352 | Presser Bar Guide Bracket Comp. | 42 | 511030 | Needle Bar Crank Rod Slide Block |
| 5 | 410351 | Presser Bar | 43 | 543801-006 | Needle Bar Crank Rod Slide Block Pin Retaining Ring |
| 6 | 504063-451 | Presser Foot Screw | 44 | 410340 | Needle Bar Crank Rod Slide Block Pin |
| 7 | 376882 | Presser Foot Comp. | 45 | 410329 | Needle Bar Eccentric Cam Comp. |
| 8 | 376883 | Presser Foot Comp. | 46 | 544204-002 | Needle Bar Eccentric Cam Set Screw (2) |
| 9 | 544264 | Presser Foot Screw Stud | 47 | 412684 | Arm Shaft |
| 10 | 410349 | Thread Cutter | 48 | 544204-001 | Arm Shaft Bushing Set Screw (2) |
| 11 | 410348 | Presser Foot Spring | 49 | 410279 | Arm Shaft Bushing (2) |
| 12 | 412787-100 | Presser Bar Lifter | 50 | 376887 | Needle Bar Connecting Link Comp. |
| 13 | 544441 | Presser Bar Lifter Screw Stud | 51 | 410327 | Needle Bar Connecting Link |
| 14 | R2054-01-14 | Needle (2) | 52 | 376888 | Striker |
| 15 | 410322-100 | Needle Bar Bushing (upper) Cap | 53 | 544211-051 | Striker Screw |
| 16 | 410323 | Needle Bar Bushing (upper) | 54 | 410325 | Needle Bar Connecting Stud Comp. |
| 17 | 544204-001 | Needle Bar Bushing Set Screw (2) | 55 | 544044 | Needle Bar Connecting Stud Screw |
| 18 | 376844 | Needle Bar | 56 | 544204-001 | Arm Shaft Balance Weight Set Screw (2) |
| 19 | 410324 | Needle Bar Bushing (lower) | 57 | 370254 | Arm Shaft Balance Weight Comp. |
| 20 | 370232 | Needle Clamp Thread Guide | 58 | 543801-007 | Arm Shaft Retaining Ring |
| 21 | 374353 | Needle Clamp Thread Guide Set Screw | | | |
| 22 | 370266 | Overedge Needle Thread Guide | | | |
| 23 | 374102 | Needle Clamp Set Screw | | | |
| 24 | 374334 | Needle Set Screw (for overedge needle) | | | |
| 25 | 549324 | Needle Set Screw (for chain stitch needle) | | | |
| 26 | 370233 | Needle Thread Pre-tension Spring | | | |
| 27 | 370231 | Needle Thread Pre-tension Plate | | | |
| 28 | 370230 | Needle Thread Pre-tension Bracket | | | |
| 29 | 374352 | Needle Thread Pre-tension Plate Stud Screw | | | |
| 30 | 374353 | Needle Thread Pre-tension Bracket Screw | | | |
| 31 | 376885 | Needle Clamp Comp. | | | |
| 32 | 410340 | Needle Bar Connecting Link Pin | | | |
| 33 | 543801-006 | Needle Bar Connecting Link Pin Retaining Ring | | | |
| 34 | 412707 | Needle Bar Crank Comp. | | | |
| 35 | 544203-001 | Needle Bar Connecting Link Pin Screw | | | |
| 36 | 544203-001 | Needle Bar Crank Rod Pin Screw | | | |
| 37 | 544204-001 | Needle Bar Crank Screw (2) | | | |
| 38 | 410340 | Needle Bar Crank Rod Pin | | | |



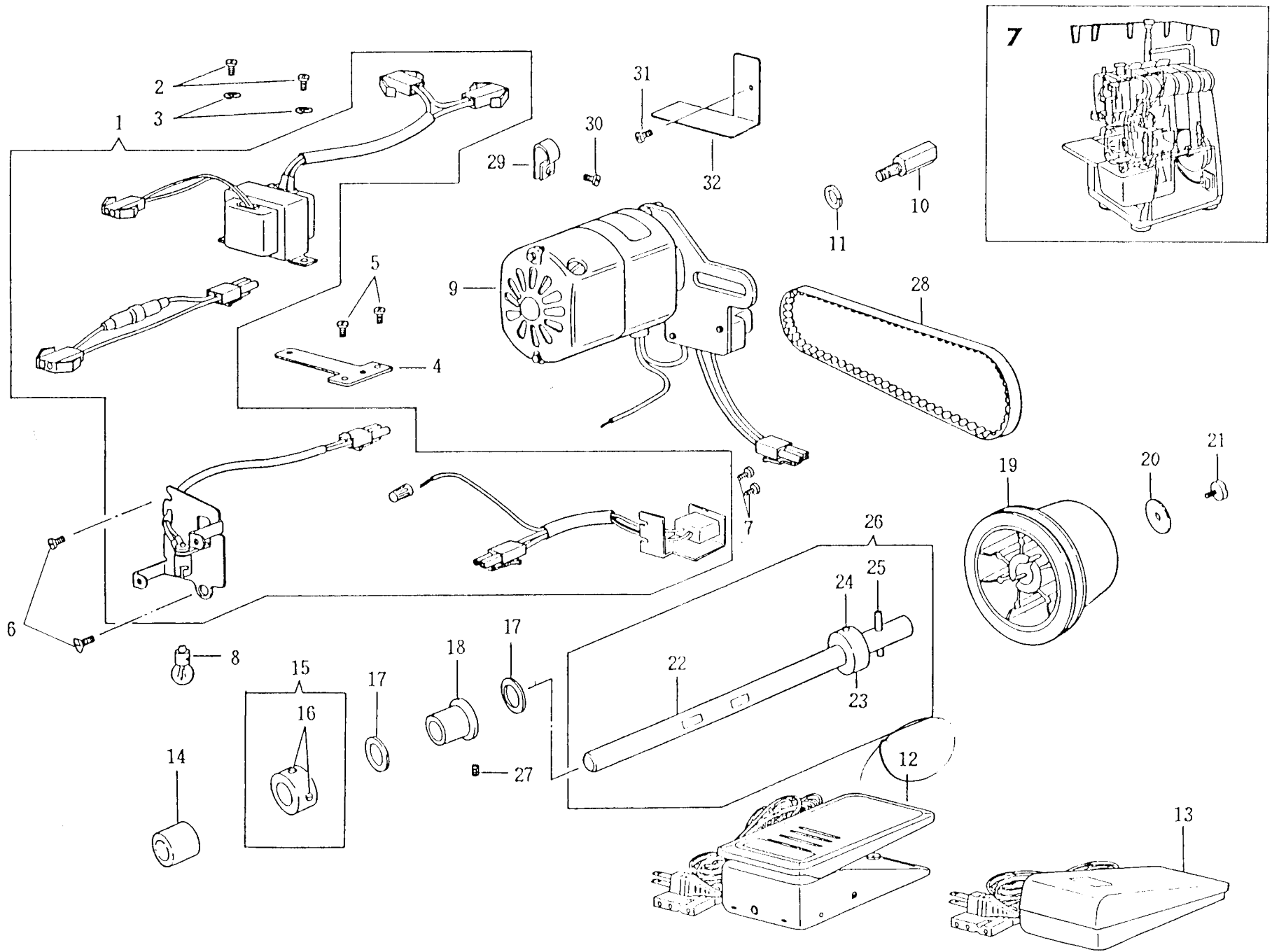
| | PARTS NO. | DESCRIPTION | | PARTS NO. | DESCRIPTION | | PARTS NO. | DESCRIPTION |
|----|------------|--|----|------------|--|----|------------|---|
| 1 | 410455 | Right Looper Thread Guide | 35 | 412793 | Chain Stitch Looper Cam Rod Comp. | 65 | 544213-053 | Left Looper Holder Screw |
| 2 | 544212-001 | Right Looper Thread Guide Set Screw | 36 | 412794 | Chain Stitch Looper Cam Rod | 66 | 370206 | Left Looper Holder Comp. |
| 3 | 370279 | Left Looper Thread Guide | 37 | 412795 | Chain Stitch Looper Cam Rod End | 67 | 410452 | Left Looper |
| 4 | 544212-001 | Left Looper Thread Guide Set Screw | 38 | 544208-002 | Chain Stitch Looper Cam Rod End Screw | 68 | 544211-052 | Left Looper Screw |
| 5 | 544203-001 | Right Looper Retainer Driving Lever Stud Set Screw | 39 | 376897 | Chain Stitch Looper Cam Comp. | 69 | 410279 | Left Looper Shaft Bushing (front) |
| 6 | 376892 | Right Looper Retainer Driving Lever (back) Comp. | 40 | 544203-001 | Chain Stitch Looper Cam Set Screw (2) | 70 | 544204-001 | Left Looper Shaft Bushing Screw (2) |
| 7 | 370247 | Thrust Washer (2) | 41 | 376895 | Chain Stitch Looper Shaft Lever Comp. | 71 | 410280 | Left Looper Shaft Bushing (back) |
| 8 | 410435 | Right Looper Retainer | 42 | 544213-054 | Chain Stitch Looper Shaft Lever Screw | 72 | 410291 | Left Looper Shaft Collar Comp. |
| 9 | 410422 | Right Looper Retainer Driving Lever Stud Oil Wick | 43 | 374136 | Chain Stitch Looper Cam Rod End Screw Stud | 73 | 544203-001 | Left Looper Shaft Collar Screw (2) |
| 10 | 410449 | Right Looper Retainer Driving Lever Stud Comp. | 44 | 410291 | Chain Stitch Looper Shaft Collar Comp. (2) | 74 | 376900 | Left Looper Shaft |
| 11 | 410429 | Right Looper Retainer Guide | 45 | 544203-001 | Chain Stitch Looper Shaft Collar Set Screw (4) | 75 | 370201 | Left Looper Driving Forked Lever Comp. |
| 12 | 544203-001 | Right Looper Retainer Guide Collar Screw (2) | 46 | 412564 | Chain Stitch Looper Avoid Cam Forked Lever Comp | 76 | 544203-001 | Left Looper Driving Forked Lever Screw (2) |
| 13 | 410432 | Right Looper Retainer Guide Collar Comp. | 47 | 412565 | Chain Stitch Looper Avoid Cam Forked Lever | 77 | 370203 | Left Looper Driving Arm Comp. |
| 14 | 370272 | Right Looper Retainer Guide Bracket | 48 | 412566 | Chain Stitch Looper Avoid Cam Forked Lever Stud Comp. | 78 | 544212-054 | Left Looper Driving Arm Screw |
| 15 | 370273 | Right Looper Retainer Guide Bracket Comp. | 49 | 543801-006 | Chain Stitch Looper Avoid Cam Forked Lever Stud Retaining Ring | 79 | 376800-002 | Looper Thread Guide |
| 16 | 544213-002 | Right Looper Retainer Guide Bracket Screw (2) | 50 | 504007 | Chain Stitch Looper Avoid Cam Forked Lever Stud Collar Screw | 80 | 544212-001 | Looper Thread Guide Screw (2) |
| 17 | 370253 | Right Looper Shaft Balance Weight Comp. | 51 | 410409 | Chain Stitch Looper Avoid Cam Forked Lever Stud Collar Comp. | 81 | 370225 | Chain Stitch Looper Thread Guide |
| 18 | 544204-001 | Right Looper Shaft Balance Weight Set Screw (2) | 52 | 544204-001 | Chain Stitch Looper Avoid Cam Forked Lever Stud Screw | 82 | 544212-001 | Chain Stitch Looper Thread Guide Set Screw |
| 19 | 410279 | Right Looper Shaft Bushing (2) | 53 | 410280 | Chain Stitch Looper Shaft Bushing (back) | 83 | 376890 | Right Looper Retainer Driving Lever (front) Comp. |
| 20 | 544204-001 | Right Looper Shaft Bushing Set Screw (2) | 54 | 544204-001 | Chain Stitch Looper Shaft Bushing Set Screw (2) | 84 | 544418 | Right Looper Retainer Driving Lever Lock Screw |
| 21 | 376889 | Right Looper Shaft | 55 | 410279 | Chain Stitch Looper Shaft Bushing (front) | 85 | 410495 | Right Looper Retainer Driving Lever Lock Screw Pin |
| 22 | 412796 | Right Looper Shaft Lever Comp. | 56 | 376899 | Chain Stitch Looper Shaft | 86 | 412546 | Right Looper Retainer Driving Lever Lock Screw Pin Spring |
| 23 | 544213-054 | Right Looper Shaft Lever Screw | 57 | 412551 | Chain Stitch Looper Holder Comp. | 87 | 544419 | Right Looper Retainer Driving Lever Lock Screw Pin Spring Screw |
| 24 | 376707 | Right Looper Cam Rod Comp. | 58 | 544213-053 | Chain Stitch Looper Holder Screw | 88 | 544204-001 | Right Looper Retainer Driving Lever (front) Screw (2) |
| 25 | 412793 | Right Looper Cam Rod Comp. | 59 | 412553 | Chain Stitch Looper | 89 | 370234 | Right Looper Retainer Driving Lever (back) Return Spring |
| 26 | 412794 | Right Looper Cam Rod | 60 | 549364 | Chain Stitch Looper Screw | 90 | 370236 | Right Looper |
| 27 | 412795 | Right Looper Cam Rod End | 61 | 412554 | Chain Stitch Looper Holder Thread Guide | 91 | 370237 | Right Looper Horn Bracket Comp. |
| 28 | 544208-002 | Right Looper Cam Rod End Set Screw | 62 | 544212-001 | Chain Stitch Looper Holder Thread Guide Screw | 92 | 374354 | Right Looper Horn Bracket Hinge Screw |
| 29 | 376701 | Right Looper Cam Comp. | 63 | 544212-001 | Left Looper Holder Thread Guide Screw | 93 | 370240 | Right Looper Horn Bracket Eccentric Pin |
| 30 | 544204-001 | Right Looper Cam Set Screw (2) | 64 | 370208 | Left Looper Holder Thread Guide | 94 | 543801-001 | Right Looper Horn Bracket Eccentric Pin Retaining Ring |
| 31 | 374136 | Right Looper Cam Rod End Screw Stud | | | | 95 | 370241 | Right Looper Horn Bracket Stopper |
| 32 | 412569 | Chain Stitch Looper Avoid Cam Comp. | | | | 96 | 374355 | Right Looper Horn Bracket Stopper Screw |
| 33 | 544203-001 | Chain Stitch Looper Avoid Cam Screw (2) | | | | 97 | 370235 | Right Looper Comp. |
| 34 | 376894 | Chain Stitch Looper Cam Rod Comp. | | | | 98 | 544413 | Right Looper Screw |



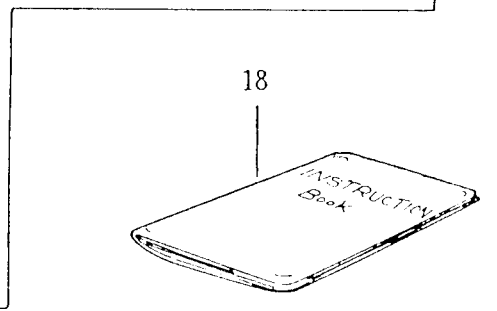
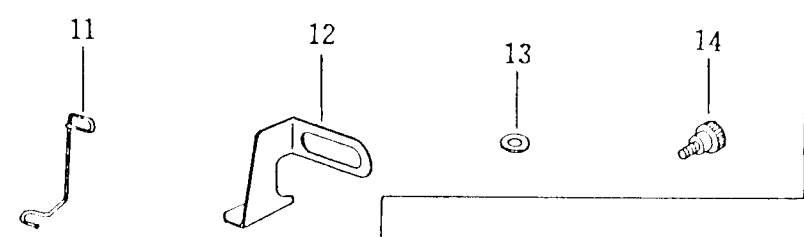
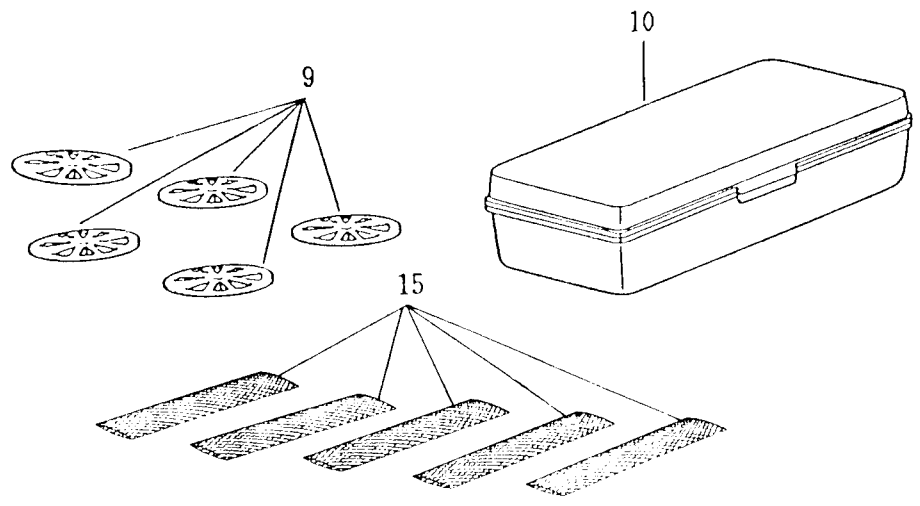
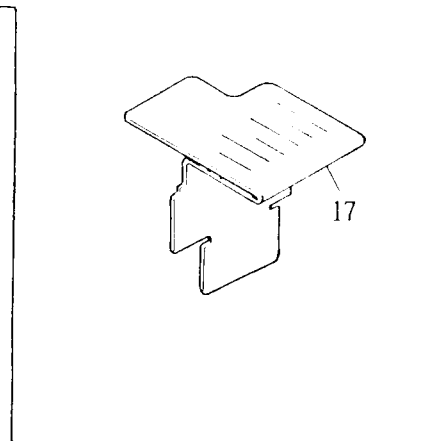
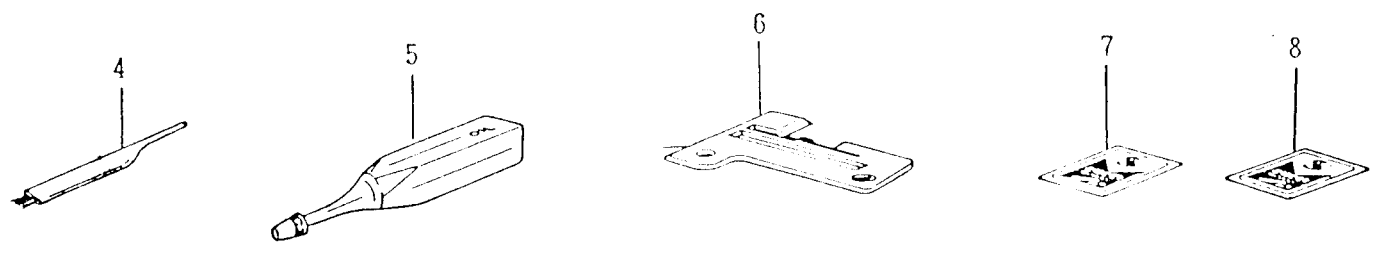
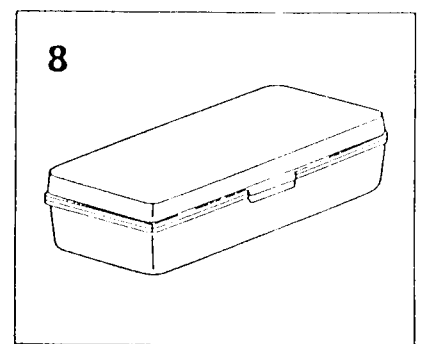
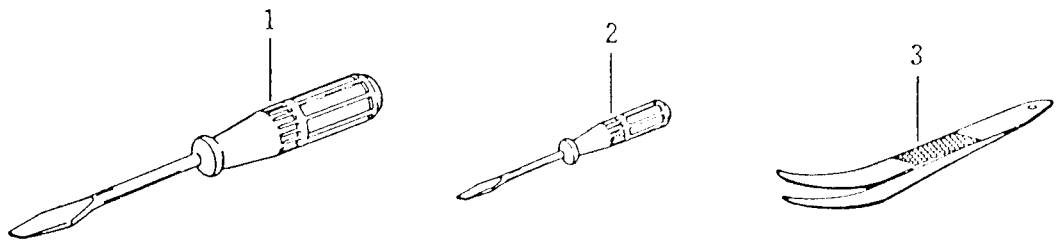
| | PARTS NO. | DESCRIPTION | PARTS NO. | DESCRIPTION |
|----|------------|---|-----------|-------------|
| 1 | 412582-452 | Knife (movable) Lever Comp. | | |
| 2 | 544204-001 | Knife (movable) Lever Hinge Stud Screw | | |
| 3 | 410310 | Knife (movable) Lever Hinge Stud | | |
| 4 | 540254 | Knife (movable) Lever Slide Block | | |
| 5 | 410308 | Knife (movable) Holder Collar Comp. | | |
| 6 | 544203-001 | Knife (movable) Holder Collar Set Screw | | |
| 7 | 412584 | Knife (movable) Comp. | | |
| 8 | 544407 | Knife (movable) Screw | | |
| 9 | 412585 | Knife (movable) | | |
| 10 | 412586 | Knife (movable) Holder | | |
| 11 | 410307 | Knife (movable) Holder Spring | | |
| 12 | 412581-452 | Knife (movable) Lever Comp. | | |
| 13 | 412588 | Needle Guard (front) | | |
| 14 | 370246 | Needle Guard (back) | | |
| 15 | 545180 | Needle Guard (back) Set Screw (2) | | |
| 16 | 370211 | Needle Guard Comp. | | |
| 17 | 545180 | Needle Guard Comp. Set Screw (2) | | |
| 18 | 410316 | Knife (movable) Forked Lever Stud Bushing | | |
| 19 | 544204-001 | Knife (movable) Forked Lever Stud Bushing Set Screw | | |
| 20 | 370255 | Knife (movable) Forked Lever Comp. | | |
| 21 | 544204-001 | Knife (movable) Forked Lever Screw (2) | | |
| 22 | 410312-013 | Knife (movable) Lever Driving Arm Comp. | | |
| 23 | 543809-002 | Knife (movable) Lever Driving Arm Spring Pin | | |
| 24 | 412741 | Knife (stationary) Holder Adjust Screw Bushing | | |
| 25 | 544207-002 | Knife (stationary) Holder Adjust Screw Bushing Screw | | |
| 26 | 381877 | Knife (stationary) Holder Adjust Screw Spring | | |
| 27 | 412740 | Knife (stationary) Holder Adjust Screw Comp. | | |
| 28 | 412773 | Knife (stationary) Holder Stud | | |
| 29 | 374104 | knife (stationary) Holder Stud Screw | | |
| 30 | 541217 | Knife (stationary) Holder Stud Screw Washer | | |
| 31 | 412774 | Knife (stationary) Holder Stud Spring | | |
| 32 | 547412 | Knife (stationary) Holder Adjust Screw Retaining Ring (2) | | |
| 33 | 370210 | Knife (stationary) Holder | | |
| 34 | 412749 | Knife (stationary) | | |
| 35 | 410297 | Knife (stationary) Clamping Plate | | |
| 36 | 544256 | Knife (stationary) Clamping Plate Screw | | |
| 37 | 370209 | Knife (stationary) Comp. | | |



| PARTS NO. | DESCRIPTION | PARTS NO. | DESCRIPTION |
|---------------|---|-----------|---------------------------------------|
| 1 410378 | Feed Crank. | 39 410370 | Feed Regulator Dial Stud Bushing |
| 2 410380 | Feed Crank Pin Center (small) | 40 540254 | Feed Regulator Slide Block |
| 3 410379 | Feed Crank Pin Center (large) | 41 410409 | Feed Regulator Dial Stud Collar Comp. |
| 4 544204-001 | Feed Crank Pin Center Screw (2) | 42 504007 | Feed Regulator Dial Stud Collar Screw |
| 5 410381 | Feed Crank Pin | | |
| 6 543801-006 | Feed Crank Pin Retaining Ring | | |
| 7 410382 | Feed Crank Eccentric Pin Comp. | | |
| 8 543801-007 | Feed Crank Eccentric Pin Retaining Ring | | |
| 9 410384 | Feed Lifting Cam Comp. | | |
| 10 410387 | Feed Lifting Cam Slide Block | | |
| 11 543818-010 | Feed Lifting Cam Slide Block Retaining Ring | | |
| 12 410385 | Feed Lifting Cam Comp. | | |
| 13 544204-001 | Feed Lifting Cam Set Screw (2) | | |
| 14 410399 | Feed Bar Comp. | | |
| 15 544204-001 | Feed Crank Pin Screw | | |
| 16 412694 | Throat Plate Position Screw | | |
| 17 504050-851 | Throat Plate Screw | | |
| 18 370216 | Throat Plate | | |
| 19 410364 | Feed Regulator Crank Rod Comp. | | |
| 20 544204-001 | Feed Crank Eccentric Pin Screw | | |
| 21 410373 | Feed Regulator Slide Block Stud | | |
| 22 543801-006 | Feed Crank Rod Pin Retaining Ring (2) | | |
| 23 410363 | Feed Crank Rod Pin | | |
| 24 544203-001 | Feed Cam Screw (2) | | |
| 25 410360 | Feed Cam Comp. | | |
| 26 410359 | Feed Cam Comp. | | |
| 27 410362 | Feed Crank Rod | | |
| 28 543802-014 | Feed Cam Retaining Ring | | |
| 29 410393 | Feed Regulator Crank Rod Comp. | | |
| 30 410375 | Feed Regulator Dial Spring Bracket Comp. | | |
| 31 410376 | Feed Regulator Dial Spring Bracket | | |
| 32 410377 | Feed Regulator Dial Spring | | |
| 33 544212-001 | Feed Regulator Dial Spring Screw | | |
| 34 544213-001 | Feed Regulator Dial Spring Bracket Screw | | |
| 35 370215 | Feed Dog | | |
| 36 544103 | Feed Dog Screw (2) | | |
| 37 412788-003 | Feed Regulator Dial | | |
| 38 544204-001 | Feed Regulator Dial Stud Bushing Set Screw | | |



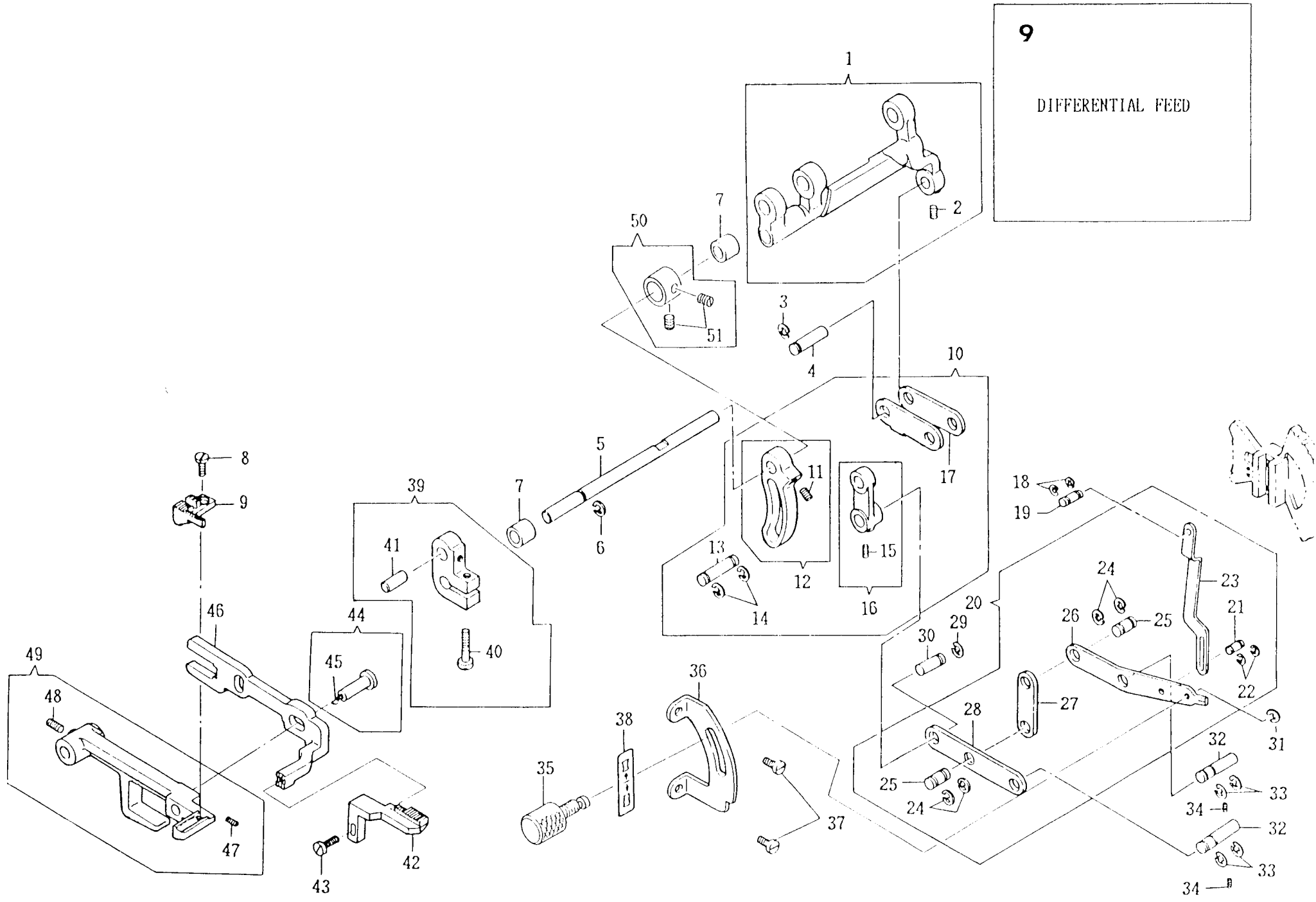
| | PARTS NO. | DESCRIPTION | | PARTS NO. | DESCRIPTION |
|----|------------|--|--|-----------|-------------|
| 1 | 419452 | Switch,Transformer,Lamp Holder Comp. | | | |
| 2 | 549324 | Transformer Screw (2) | | | |
| 3 | 543805-002 | Transformer Screw Spring Washer (2) | | | |
| 4 | 412752 | Transformer Bracket | | | |
| 5 | 544212-001 | Transformer Bracket Screw (2) | | | |
| 6 | 544212-001 | Lamp Holder Bracket Screw (2) | | | |
| 7 | 544212-001 | Switch Bracket Screw (2) | | | |
| 8 | 419088 | Lamp | | | |
| 9 | 419114-002 | Motor Comp. | | | |
| 10 | 544259 | Motor Bracket Clamping Screw | | | |
| 11 | 543805-005 | Motor Bracket Clamping Screw Washer | | | |
| 12 | 419115-002 | Controller Comp. (FOR 65B W/C) | | | |
| 13 | 419451-002 | Controller Comp. (FOR 85B W/C UL ONLY) | | | |
| 14 | 410252 | Rotating Shaft Bushing (left) | | | |
| 15 | 410470 | Rotating Shaft Collar Comp. | | | |
| 16 | 544204-001 | Rotating Shaft Collar Set Screw (2) | | | |
| 17 | 408730 | Rotating Shaft Thrust Washer (2) | | | |
| 18 | 410253 | Rotating Shaft Bushing (right) | | | |
| 19 | 410268-002 | Pulley | | | |
| 20 | 543848 | Pulley Set Screw Washer | | | |
| 21 | 544270-001 | Pulley Set Screw | | | |
| 22 | 410257 | Rotating Shaft | | | |
| 23 | 410469 | Rotating Shaft Collar (fixed) | | | |
| 24 | 543808-004 | Rotating Shaft Collar Positioning Pin | | | |
| 25 | 543809-004 | Rotating Shaft Spring Pin | | | |
| 26 | 410256 | Rotating Shaft Comp. | | | |
| 27 | 544204-001 | Rotating Shaft Bushing (right) Set Screw | | | |
| 28 | 412721 | Motor Belt | | | |
| 29 | 542766-001 | Cord Holder | | | |
| 30 | 544212-001 | Cord Holder Screw | | | |
| 31 | 544212-001 | Cord Clamping Plate Screw | | | |
| 32 | 412737 | Cord Clamping Plate | | | |



| PARTS NO. | DESCRIPTION | PARTS NO. | DESCRIPTION |
|---------------|-----------------------------------|-----------|-------------|
| 1 541513 | Driver (large) | | |
| 2 541514 | Driver (small) | | |
| 3 376853 | Tweezers | | |
| 4 546358 | Brush | | |
| 5 541574 | Oiler | | |
| 6 370218 | Throat Plate For Rolled Hem Comp. | | |
| 7 N2054-01-10 | Needle (2) | | |
| 8 N2054-01-14 | Needle (3) | | |
| 9 546894 | Thread Unwinder Spool Cap (5) | | |
| 10 543150-002 | Accessory Box | | |
| 11 412762 | Tape Guide | | |
| 12 412746 | Edge Guide | | |
| 13 543803-003 | Edge Guide Screw Washer | | |
| 14 374105 | Edge Guide Screw | | |
| 15 543131 | Thread Unwinder Spool Net (5) | | |
| 16 412658-020 | Accessory Set | | |
| 17 412520 | Chain Stitch Seam Width Gage | | |
| 18 379206-002 | Instruction Book | | |

9

DIFFERENTIAL FEED



| | PARTS NO. | DESCRIPTION | | PARTS NO. | DESCRIPTION |
|----|------------|---|----|------------|--|
| 1 | 412618 | Differential Feed Crank Comp. | 39 | 370220 | Differential Feed Arm Comp. |
| 2 | 544204-001 | Differential Feed Crank Stud Screw | 40 | 544212-055 | Differential Feed Arm Clamping Screw |
| 3 | 543801-006 | Differential Feed Crank Stud Retaining Ring | 41 | 412634 | Auxiliary Feed Bar Driving Pin |
| 4 | 412620 | Differential Feed Crank Stud | 42 | 370224 | Auxiliary Feed Dog |
| 5 | 412628 | Differential Feed Shaft | 43 | 544490 | Auxiliary Feed Dog Screw |
| 6 | 543801-006 | Differential Feed Shaft Retaining Ring | 44 | 410266 | Auxiliary Feed Bar Guide Pin Comp. |
| 7 | 410324 | Differential Feed Shaft Bushing (2) | 45 | 410422 | Auxiliary Feed Bar Guide Pin Wick |
| 8 | 544103 | Main Feed Dog Screw | 46 | 412648 | Auxiliary Feed Bar |
| 9 | 370223 | Main Feed Dog | 47 | 544203-001 | Auxiliary Feed Bar Guide Pin Screw |
| 10 | 412621 | Differential Feed Crank Rod Comp. | 48 | 544204-001 | Feed Crank Pin Screw |
| 11 | 544204-001 | Differential Feed Adjusting Arm Screw | 49 | 412646 | Main Feed Bar Comp. |
| 12 | 412623 | Differential Feed Adjusting Arm Comp. | 50 | 375390 | Differential Feed Shaft Collar Comp. |
| 13 | 412627 | Differential Feed Crank Rod Stud | 51 | 544203-001 | Differential Feed Shaft Collar Screw (2) |
| 14 | 543801-006 | Differential Feed Crank Rod Stud Retaining Ring (2) | | | |
| 15 | 544203-001 | Differential Feed Adjusting Lever Arm Pin Screw | | | |
| 16 | 412625 | Differential Feed Adjusting Lever Arm Comp. | | | |
| 17 | 412622 | Differential Feed Crank Rod | | | |
| 18 | 543801-002 | Differential Feed Safety Plate Stud Retaining Ring (2) | | | |
| 19 | 412643 | Differential Feed Safety Plate Stud (upper) | | | |
| 20 | 412636 | Differential Feed Adjusting Lever Comp. | | | |
| 21 | 412642 | Differential Feed Safety Plate Stud (lower) | | | |
| 22 | 543801-002 | Differential Feed Safety Plate Stud Retaining Ring (2) | | | |
| 23 | 412641 | Differential Feed Safety Plate | | | |
| 24 | 543801-006 | Differential Feed Adjusting Lever Pin Retaining Ring (4) | | | |
| 25 | 412638 | Differential Feed Adjusting Lever Pin (2) | | | |
| 26 | 412640 | Differential Feed Adjusting Lever (upper) | | | |
| 27 | 412639 | Differential Feed Adjusting Lever Link | | | |
| 28 | 412637 | Differential Feed Adjusting Lever (lower) | | | |
| 29 | 543801-006 | Differential Feed Adjusting Lever Arm Pin Retaining Ring | | | |
| 30 | 412635 | Differential Feed Adjusting Lever Arm Pin | | | |
| 31 | 543860-003 | Differential Feed Konb Screw Retaining Ring | | | |
| 32 | 412644 | Differential Feed Adjusting Lever Stud (2) | | | |
| 33 | 543801-006 | Differential Feed Adjusting Lever Stud Retaining Ring (4) | | | |
| 34 | 544203-001 | Differential Feed Adjusting Lever Stud Screw (2) | | | |
| 35 | 376784 | Differential Feed Konb Screw | | | |
| 36 | 412645 | Differential Feed Adjusting Lever Guide Plate | | | |
| 37 | 544212-001 | Differential Feed Adjusting Lever Guide Plate Screw (2) | | | |
| 38 | 412655-902 | Differential Feed Sticker | | | |