

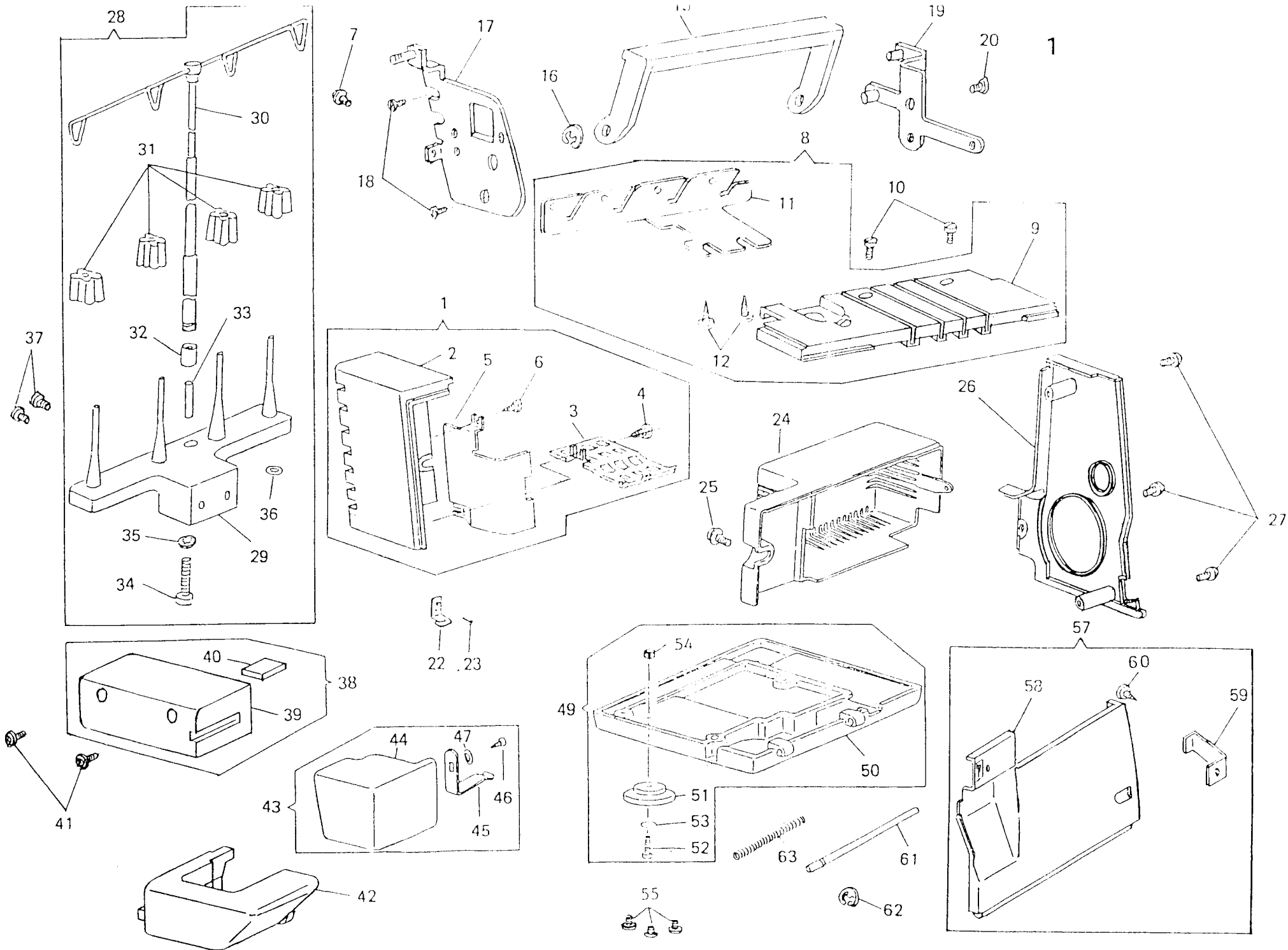
**SINGER**  
**14U444B,14U454B**

# **PARTS LIST**

# **SINGER**

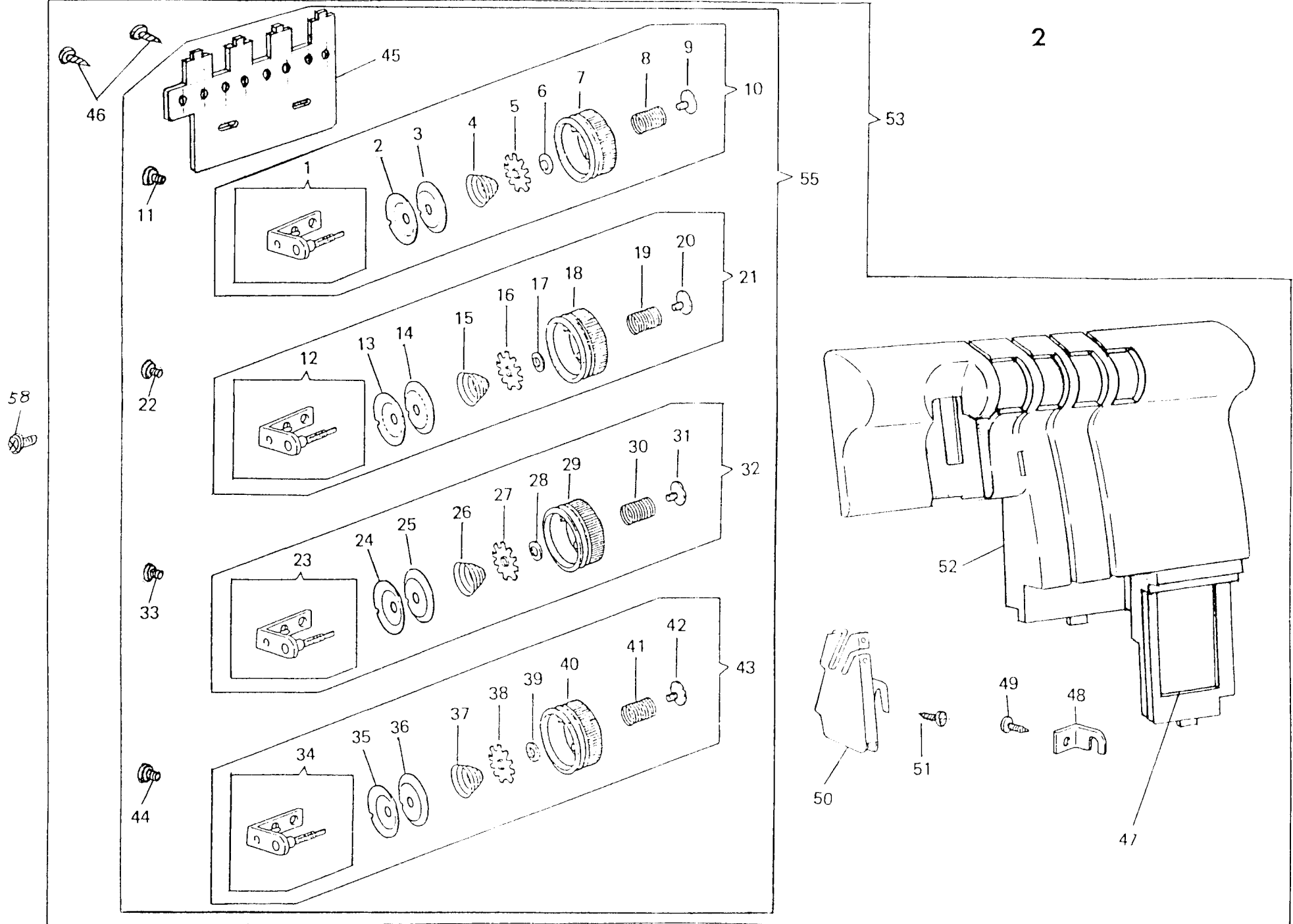
## **14U444B**

## **14U454B**

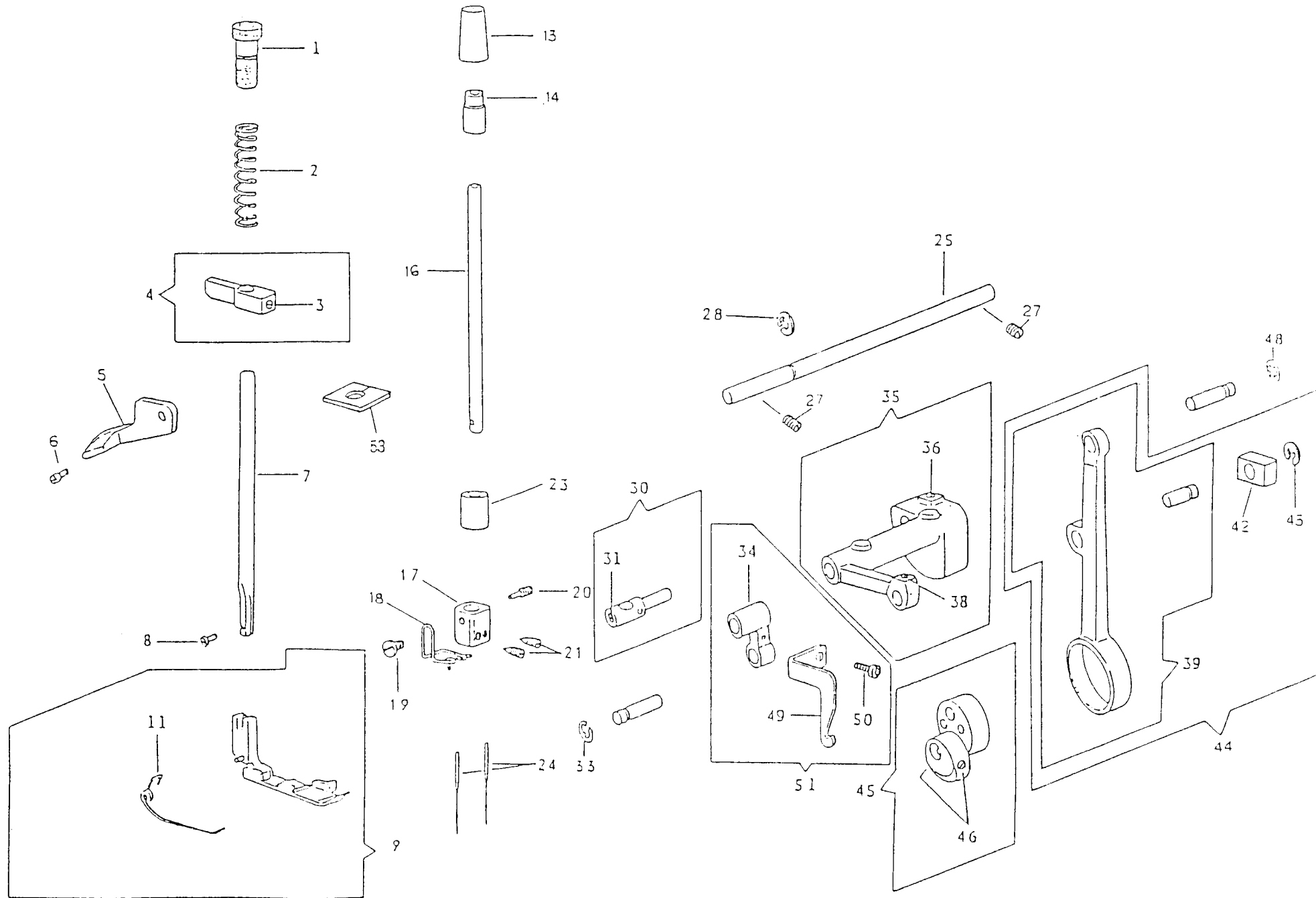


	Part No.	Description		Part No.	Description
1	281444-452	Light Cover Comp.	38	376680-451	Cloth Plate (back) Comp.
2	281445-452	Light Cover	39	376681-451	Cloth Plate (back)
3	281446	Light Grille	40	376687	Cloth Plate (back) Felt
4	412697-003	Light Grille Screw	41	544270-001	Cloth Plate (back) Screw (2)
5	281478	Light Shield	42	376677-451	Cloth Plate (front) Comp.
6	544248-002	Light Shield Screw	43	376682-451	Cylinder Cover Comp.
7	544270-001	Light Cover Screw	44	376683-451	Cylinder Cover
8	376696-451	Top Cover Comp.	45	412682	Cylinder Cover Spring
9	376673-451	Top Cover	46	412697	Cylinder Cover Spring Clamping Screw
10	544212-072	Top Cover Screw (2)	47	543804-003	Cylinder Cover Spring Clamping Screw Washer
11	376685	Top Cover Thread Guide			
12	412697-002	Top Cover Thread Guide Screw (2)	49	376794-006	Machine Base Comp.
			50	376793-006	Machine Base
			51	410208	Machine Base Cushion (4)
15	281436-452	Handle	52	544218-002	Machine Base Cushion Screw (4)
16	546623	Handle Retaining Ring	53	543803-004	Machine Base Cushion Washer (4)
17	281441	Handle Bracket (left) Comp.	54	541166-001	Machine Base Cushion Screw Nut (4)
18	544212-001	Handle Bracket (left) Comp. Screw (2)	55	544214-005	Machine Base Screw (3)
19	281437	Handle Bracket (right) Comp.			
20	544212-001	Handle Bracket (right) Comp. Screw	57	376674-451	Looper Cover Comp. (for 14U444BB)
			57	376674-452	Looper Cover Comp. (for 14U454BB)
22	412534	Needle Thread Guide	58	376675-451	Looper Cover (graphic) (for 14U444BB)
23	544258	Needle Thread Guide Screw	58	376675-452	Looper Cover (graphic) (for 14U454BB)
24	410248-006	Motor Cover	59	281472	Looper Cover Hook
25	544270-001	Motor Cover Screw	60	544248-003	Looper Cover Hook Screw
26	281457-452	Pulley Cover	61	281474	Looper Cover Hinge Pin
27	544270-001	Pulley Cover Screw (3)	62	543801-002	Looper Cover Hinge Pin Retaining Ring
28	281452-452	Thread Unwinder Comp.	63	376717	Looper Cover Hinge Pin Spring
29	281453-452	Thread Unwinder			
30	281454	Thread Unwinder Thread Guide Rod Comp.			
31	546893	Spool Holder (4)			
32	281455	Thread Unwinder Thread Guide Cushion			
33	543876-001	Thread Unwinder Thread Guide Rod Spacer			
34	544212-057	Thread Unwinder Thread Guide Rod Screw			
35	543803-004	Thread Unwinder Thread Guide Rod Screw Washer			
36	543871-003	Thread Unwinder Thread Guide Rod O Ring			
37	544213-001	Thread Unwinder Comp. Screw (2)			

2

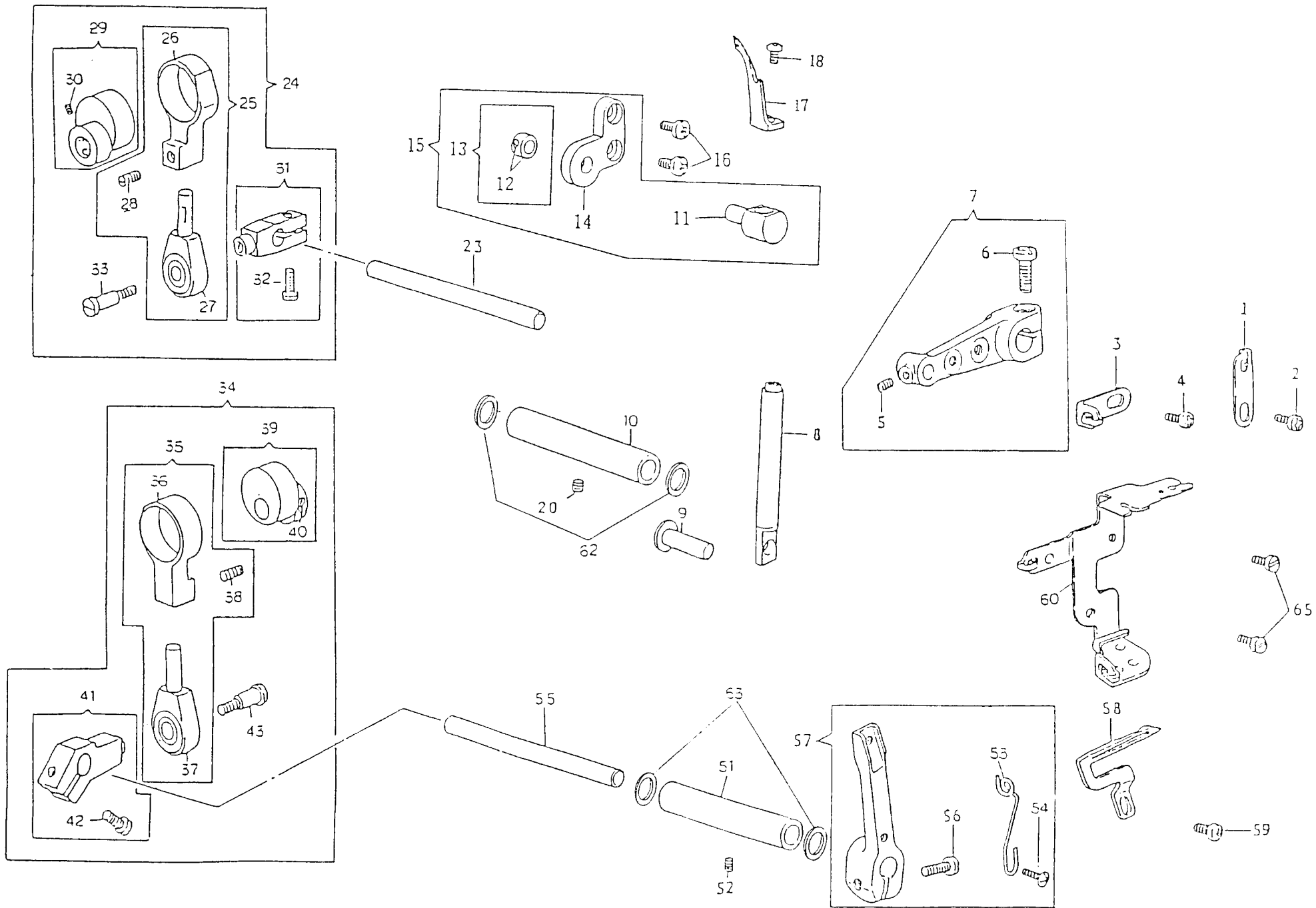


Part No.	Description	Part No.	Description		
1	376693	Tension Dial Bracket Comp.	30	410230	Tension Dial Presser Spring
2	376566	Tension Disc (with dent)	31	544265	Tension Dial Presser Spring Screw
3	410226	Tension Disc	32	376691-452	One Turn Tension Dial Comp. (right looper)
4	376620	Tension Disc Spring (dia. 1.1)	33	544212-006	One Turn Tension Dial Comp. Set Screw
5	370289	Tension Disc Spring Nut	34	376693	Tension Dial Bracket Comp.
6	412696	Tension Dial Washer	35	376566	Tension Disc (with dent)
7	376582-475	Tension Dial Comp. (snow white) (blue)	36	410226	Tension Disc
8	410230	Tension Dial Presser Spring	37	376620	Tension Disc Spring (dia. 1.1)
9	544265	Tension dial Presser Spring Screw	38	370289	Tension Disc Spring Nut
10	376689-452	One Turn Tension Dial Comp. (left needle)	39	412696	Tension Dial Washer
11	544212-006	One Turn Tension dial Comp. Set Screw	40	376582-474	Tension Dial Comp. (snow white) (yellow)
12	376693	Tension Dial Bracket Comp.	41	410230	Tension Dial Presser Spring
13	376566	Tension Disc (with dent)	42	544265	Tension Dial Presser Spring Screw
14	410226	Tension Disc	43	376692-452	One Turn Tension Dial Comp. (left looper)
15	412680	Tension Disc Spring (dia. 1.0)	44	544212-006	One Turn Tension Dial Comp. Set Screw
16	370289	Tension Disc Spring Nut	45	376695	One Turn Tension Dial Bracket
17	412696	Tension Dial Washer	46	412697-002	One Turn Tension Dial Bracket Screw (2)
18	376582-476	Tension Dial Comp. (snow white) (green)	47	376686	Threading Chart
19	410230	Tension Dial Presser Spring	48	412531	Front Cover Thread Guide (small)
20	544265	Tension Dial Presser Spring Screw	49	412697-003	Front Cover Thread Guide (small) Screw
21	376690-452	One Turn Tension Dial Comp. (right needle)	50	218487	Front Cover Thread Guide
22	544212-006	One Turn Tension Dial Comp. Set Screw	51	412697	Front Cover Thread Guide Screw
23	376693	Tension Dial Bracket Comp.	52	376672-901	Front Cover
24	376566	Tension Disc (with dent)	53	376670-452	Front Cover Comp.
25	410226	Tension Disc			
26	376619	Tension Disc Spring (dia. 0.9)			
27	370289	Tension Disc Spring Nut			
28	412696	Tension Dial Washer			
29	376582-473	Tension Dial Comp. (snow white) (orange)	55	376688-452	One Turn Tension Dial Comp.
			58	544272-003	Front Cover Screw (3)

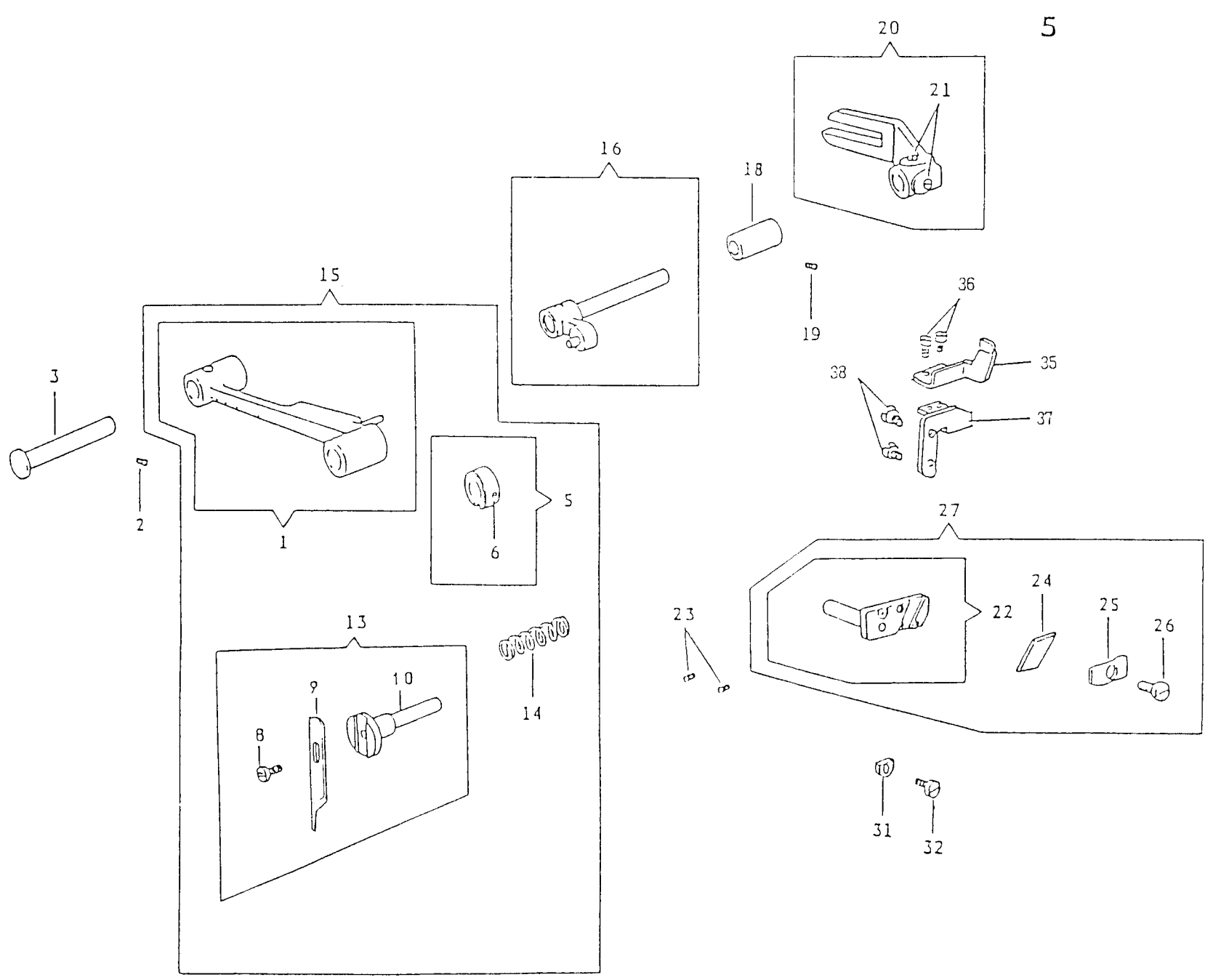


Part No.	Description	Part No.	Description
1	544262-004 Presser Regulating Thum Screw	39	370243 Needle Bar Crank Rod Comp.
2	410355 Presser Bar Spring		
3	544204-001 Presser Bar Guide Bracket Screw		
4	410352 Presser Bar Guide Bracket Comp.	42	511030 Needle Bar Crank Rod Slide Block
5	412787-003 Presser Bar Lifter	43	543801-006 Needle Bar Crank Rod Slide Block Pin Retaining Ring
6	544441 Presser Bar Lifter Screw Stud		
7	410351 Presser Bar	44	370242 Needle Bar Crank Rod Comp.
8	504063-451 Presser Foot Screw	45	410329 Needle Bar Eccentric Cam Comp.
9	376827 Presser Foot Comp.	46	544204-002 Needle Bar Eccentric Cam Set Screw (2)
11	410348 Presser Foot Spring	48	543801-006 Needle Bar Crank Rod Pin Retaining Ring
13	410322-003 Needle Bar Bushing (upper) Cap	49	281488 Striker
14	410323 Needle Bar Bushing (upper)	50	544211-051 Striker Screw
		51	281489 Needle Bar Connecting Link Comp.
16	376844 Needle Bar		
17	376520 Needle Clamp	53	376567 Presser Bar Felt
18	376848 Needle Bar Thread Guide		
19	544211-059 Needle Bar Thread Guide Set Screw		
20	374102 Needle Bar Set Screw		
21	374364 Needle Set Screw (for left and right)(2)		
23	410324 Needle Bar Bushing (lower)		
24	N2054-42-14 Needle (#14)(2)		
25	376814 Arm Shaft		
27	544204-002 Arm Shaft Bushing Set Screw (2)		
28	543801-007 Arm Shaft Retaining Ring		
30	410325 Needle Bar Connecting Stud		
31	544044 Needle Bar Connecting Stud Screw		
33	543801-006 Needle Bar Connecting Link Pin Retaining Ring		
34	410327 Needle Bar Connectin Link		
35	412707-001 Needle Bar Crank Comp.		
36	544203-001 Needle Bar Crank Rod Pin Screw		
38	544203-001 Needle Bar Connecting Link Pin Screw		

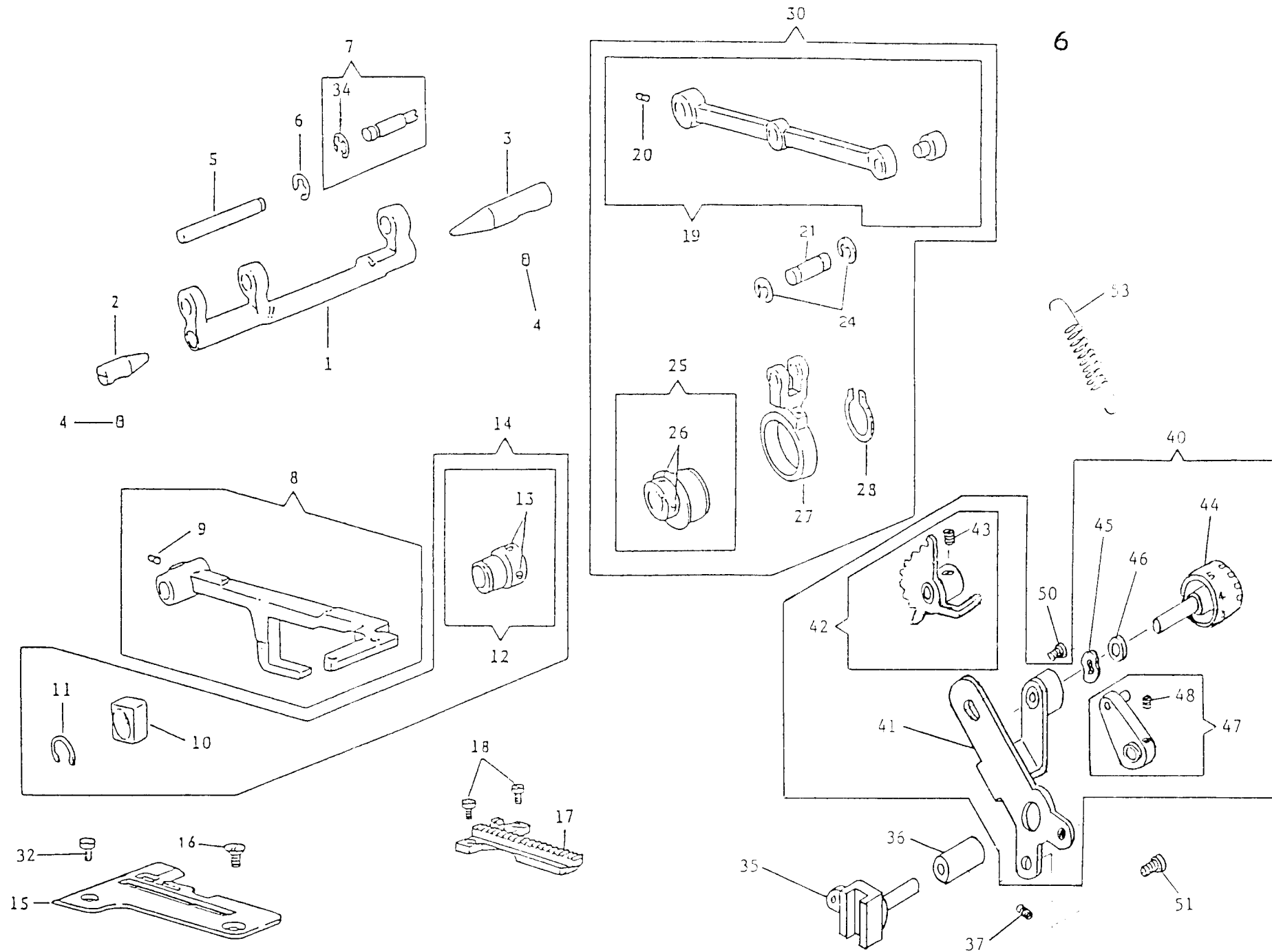




Part No.	Description	Part No.	Description		
1	410455	Right Looper Thread Guide	39	376701	Looper Cam Comp.
2	544212-001	Right Looper Thread Guide Set Screw	40	544204-001	Looper Cam Set Screw (2)
3	410438	Left Looper Thread Guide	41	412798	Left Looper Shaft Lever Comp.
4	544212-001	Left Looper Thread Guide Set Screw	42	414750-001	Left Looper Shaft Lever Screw
5	544203-001	Right Looper Retainer Driving Lever Stud Set Screw	43	374136	Screw Stud
6	544213-053	Right Looper Retainer Driving Lever Clamping Screw			
7	410436	Right Looper Retainer Driving Lever Comp.			
8	410435	Right Looper Retainer			
9	370290	Right Looper Retainer Driving Stud			
10	376799	Right Looper Shaft Bushing			
11	410429	Right Looper Retainer Guide	51	376798	Left Looper Shaft Bushing
12	544203-001	Right Looper Retainer Guide Collar Screw (2)	52	544204-001	Left Looper Shaft Bushing Set Screw
13	410432	Right Looper Retainer Guide Collar Comp.	53	410456	Left Looper Holder Thread Guide
14	370281	Right Looper Retainer Guide Bracket	54	544212-001	Left Looper Holder Thread Guide Screw
15	370280	Right Looper Retainer Guide Bracket Comp.	55	376813	Left Looper Shaft
16	544213-002	Right Looper Retainer Guide Bracket Screw (2)	56	414750-001	Left Looper Holder Clamping Screw
17	410434	Right Looper	57	376838	Left Looper Holder Comp.
18	544413	Right Looper Screw	58	410452	left Looper
			59	544211-052	Left Looper Screw
20	544204-001	Right Looper Shaft Bushing Set Screw	60	281458	Looper Thread Guide
			62	542402	Right Looper Shaft Bushing Thrust Washer (2)
23	376813	Right Looper Shaft	63	542402	Left Looper Shaft Bushing Thrust Washer (2)
24	376707	Right Looper Cam Rod Comp.			
25	412793	Looper Cam Rod Comp.	65	544212-001	Looper Thread Guide Screw (2)
26	412794	Looper Cam Rod			
27	412795	Rod End			
28	544208-002	Rod End Set Screw			
29	376701	Looper Cam Comp.			
30	544204-001	Looper Cam Set Screw (2)			
31	412796	Right Looper Shaft Lever Comp.			
32	414750-001	Right Looper Shaft Lever Screw			
33	374136	Screw Stud			
34	376708	Left Looper Cam Rod Comp.			
35	412793	Looper Cam Rod Comp.			
36	412794	Looper Cam Rod			
37	412795	Rod End			
38	544208-002	Rod End Set Screw			



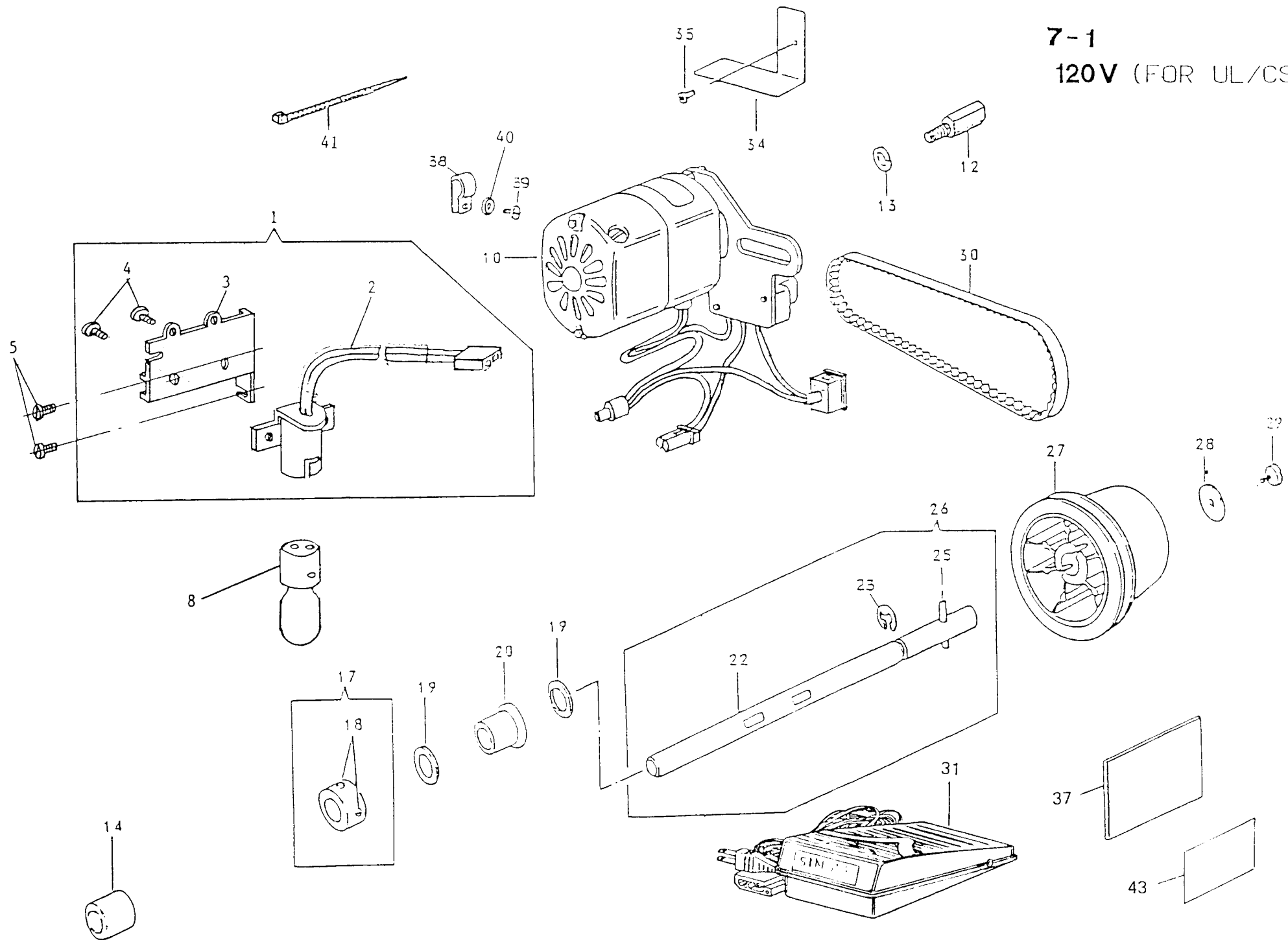
	Part No.	Description		Part No.	Description
1	376842-454	Knife (movable) Lever Comp.			
2	544204-001	Knife (movable) Lever Hinge Stud Screw			
3	410310	Knife (movable) Lever Hinge Stud			
5	410308	Knife (movable) Holder Collar Comp.			
6	544203-001	Knife (movable) Holder Coller Set Screw			
8	544407	Knife (movable) Screw			
9	412585	Knife (movable)			
10	412586	Knife (movable) Holder			
13	412584	Knife (movable) Comp.			
14	410307	Knife (movable) Holder Spring			
15	376841-454	Knife (movable) Lever Comp.			
16	410312-012	Knife (movable) Lever Driving Arm Comp.			
18	410316	Knife (movable) Forked Lever Stud Bushing			
19	544204-001	Knife (movable) Forked Lever Stud Bushing Set Screw			
20	410317	Knife (movable) Forked Lever Comp.			
21	544204-001	Knife (movable) Forked Lever Screw (2)			
22	410296	Knife (stationary) Holder			
23	544207-011	Knife (stationary) Holder Screw (2)			
24	412749	Knife (stationary)			
25	410297	Knife (stationary) Clamping Plate			
26	544256	Knife (stationary) Clamping Plate Screw			
27	370226	Knife (stationary) Comp.			
31	410489	Knife (stationary) Holder Positioning Plate			
32	544211-002	Knife (stationary) Holder Positioning Plate Screw			
35	376625	Needle Guard (front)			
36	545189-051	Needle Guard (front) Screw (2)			
37	376628	Needle Guard Bracket			
38	544211-051	Needle Guard Bracket Screw (2)			



Part No.	Description	Part No.	Description
1	410378 Feed Crank	40	281467-453 Feed Mechanism Comp.
2	410380 Feed Crank Pin Center (small)	41	281403 Feed Dial Hub Comp.
3	376795 Feed Crank Pin Center (large)	42	281406 Feed Regulator Driving Cam Comp.
4	544204-001 Feed Crank Pin Center Screw (2)	43	544207-011 Feed Regulator Driving Cam Screw
5	410381 Feed Crank Pin	44	281410-453 Feed Dial
6	543801-006 Feed Crank Pin Retaining Ring	45	409213 Feed Dial Wave Washer
7	410382 Feed Crank Eccentric Pin Comp.	46	543803-005 Feed Dial Washer
8	410399 Feed Bar Comp.	47	281413 Feed Regulator Lever Comp.
9	544204-001 Feed Crank Pin Screw	48	544207-011 Feed Regulator Lever Screw
10	410387 Feed Lifting Cam Slide Block		
11	543818-010 Feed Lifting Cam Slide Block Retaining Ring	50	544213-001 Feed Dial Hub Bracket Screw (upper)
12	410385 Feed Lifting Cam Comp.	51	544212-001 Feed Dial Hub Bracket Screw (lower)
13	544204-001 Feed Lifting Cam Set Screw (2)		
14	410384 Feed Lifting Cam Comp.	53	281485 Feed Regulator Lever Spring
15	412730 Throat Plate		
16	504050-851 Throat Plate Screw		
17	412783 Feed Dog		
18	544103 Feed Dog Screw (2)		
19	376852 Feed Regulator Crank Rod Comp.		
20	544204-001 Feed Crank Eccentric Pin Screw		
21	410363 Feed Crank Rod Pin		
24	543801-006 Feed Crank Rod Pin Retaining Ring (2)		
25	410360 Feed Cam Comp.		
26	544203-001 Feed Cam Screw (2)		
27	410362 Feed Crank Rod		
28	543802-014 Feed Cam Retaining Ring		
30	376850 Feed Regulator Crank Rod Comp.		
32	412694 Throat Plate Position Screw		
34	543801-007 Feed Crank Eccentric Pin Retaining Ring		
35	281401 Feed Regulator Comp.		
36	410370 Feed Regulator Stud Bushing		
37	544204-001 Feed Regulator Stud Bushing Set Screw		

7-1

120V (FOR UL/CSA)



## 120V (FOR UL/CSA)

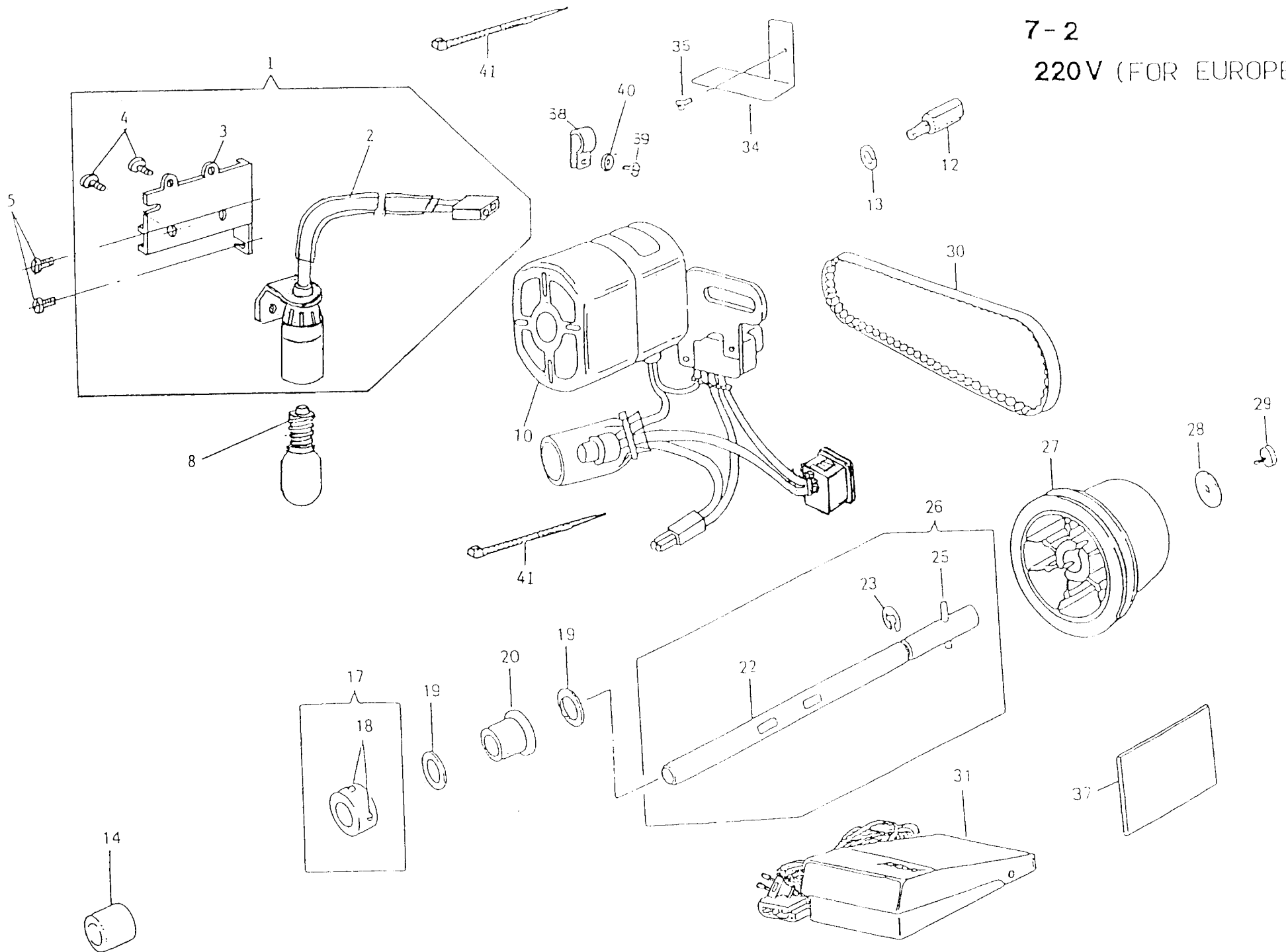
7-1

Part No.	Description	Part No.	Description
1	369265 Lamp Holder, Bracket Comp. (for 120V)	38	542766-001 Cord Holder
2	369266 Lamp Holder Comp. (for 120V)	39	544225-073 Cord Holder Screw
3	281459 Lamp Holder Bracket	40	543804-009 Cord Holder Screw Washer
4	544211-002 Lamp Holder Screw (2)		
5	544212-002 Lamp Holder Bracket Screw (2)	41	540899 Cord Holder Retainer
8	194120-019 Lamp (bayonet type) (for 120V, 15W)	43	369228-900 Caution Label (2)
10	369262-007 Motor, Switch Comp. (for 120V)		
12	544259 Motor Bracket Clamping Screw		
13	543805-005 Motor Bracket Clamping Screw Washer		
14	410252 Rotating Shaft Bushing (left)		
17	410470 Rotating Shaft Collar Comp.		
18	544204-001 Rotating Shaft Collar Set Screw (2)		
19	408730 Rotating Shaft Thrust Washer (2)		
20	410253 Rotating Shaft Bushing (right)		
22	376816 Rotating Shaft		
23	543801-010 Rotating Shaft Retaining Ring		
25	543809-004 Rotating Shaft Spring Pin		
26	376808 Rotating Shaft Comp.		
27	410268-005 Pulley		
28	543848 Pulley Set Screw Washer		
29	544270-001 Pulley Set Screw		
30	412721 Motor Belt		
31	369263-003 Controller Comp. (for 120V)		
34	412737 Cord Clamping Plate		
35	544212-001 Cord Clamping Plate Screw		
37	369232-906 Electrical Data Plate (for 120V) (for 444BA)		
37	369232-907 Electrical Data Plate (for 120V) (for 454BA)		
37	369232-908 Electrical Data Plate (for 120V) (for 444BB)		
37	369232-909 Electrical Data Plate (for 120V) (for 454BB)		



7-2

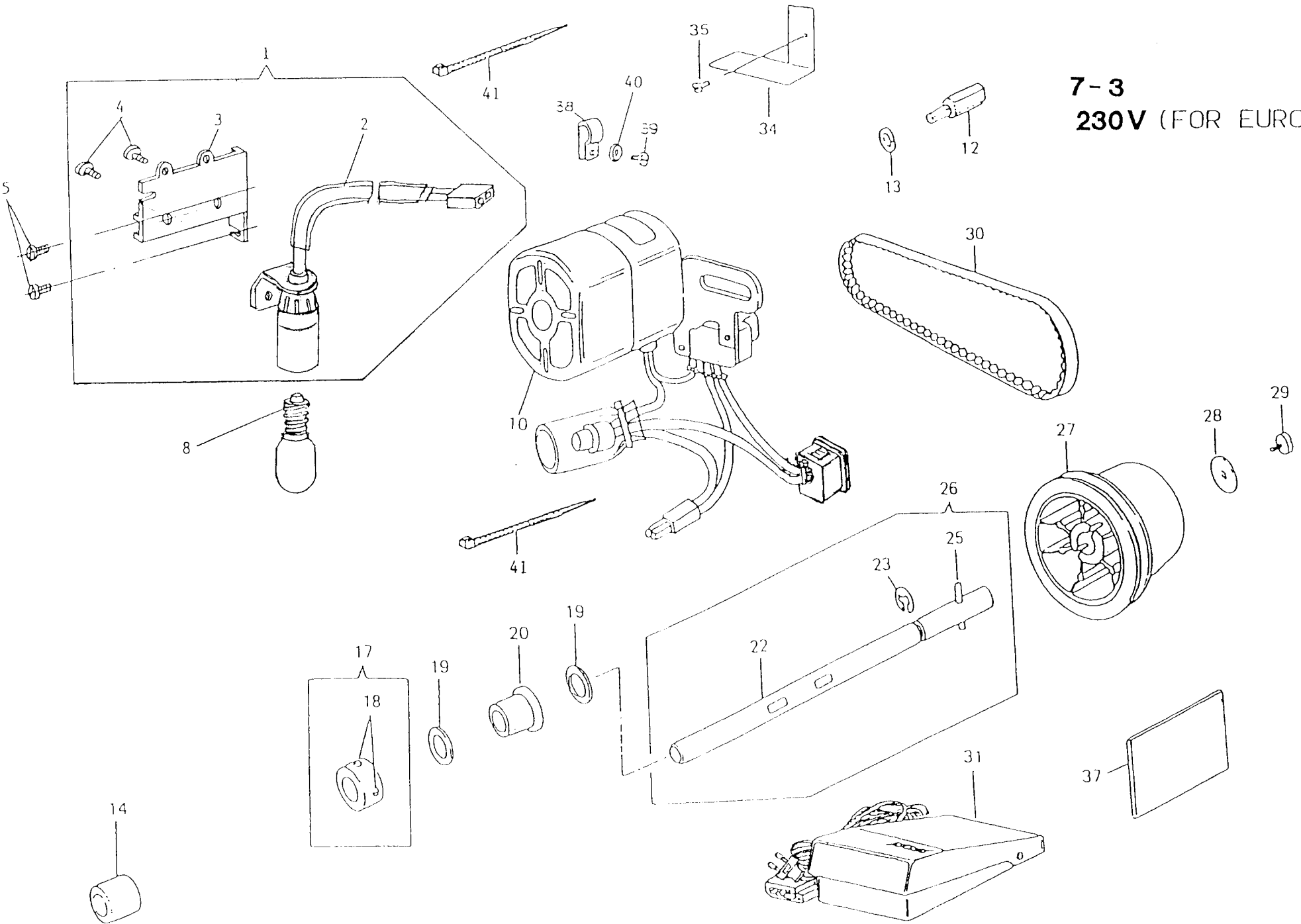
220V (FOR EUROPE)



220V (FOR EUROPE)

Part No.		Description	Part No.		Description
1	369238	Lamp Holder, Bracket Comp. (for 220V)	38	542766-001	Cord Holder
2	369213	Lamp Holder Comp. (for 220V)	39	544225-073	Cord Holder Screw
3	281459	Lamp Holder Bracket	40	543804-009	Cord Holder Screw Washer
4	544211-002	Lamp Holder Screw (2)			
5	544212-002	Lamp Holder Bracket Screw (2)	41	540899	Cord Holder Retainer
8	369215-001	Lamp (screw type) (for 220V, 15W)	41	540899	Motor Cord Retainer
10	419196-357	Motor, Switch Comp. (for 220V)			
12	544259	Motor Bracket Clamping Screw			
13	543805-005	Motor Bracket Clamping Screw Washer			
14	410252	Rotating Shaft Bushing (left)			
17	410470	Rotating Shaft Collar Comp.			
18	544204-001	Rotating Shaft Collar Set Screw (2)			
19	408730	Rotating Shaft Thrust Washer (2)			
20	410253	Rotating Shaft Bushing (right)			
22	376816	Rotating Shaft			
23	543801-010	Rotating Shaft Retaining Ring			
25	543809-004	Rotating Shaft Spring Pin			
26	376808	Rotating Shaft Comp.			
27	410268-005	Pulley			
28	543848	Pulley Set Screw Washer			
29	544270-001	Pulley Set Screw			
30	412721	Motor Belt			
31	419465-151	Controller Comp. (for 220V)			
34	412737	Cord Clamping Plate			
35	544212-001	Cord Clamping Plate Screw			
37	—	Electrical Data Plate (for 220V) (for 444B)			
37	—	Electrical Data Plate (for 220V) (for 454B)			

**7-3**  
**230V (FOR EUROPE)**

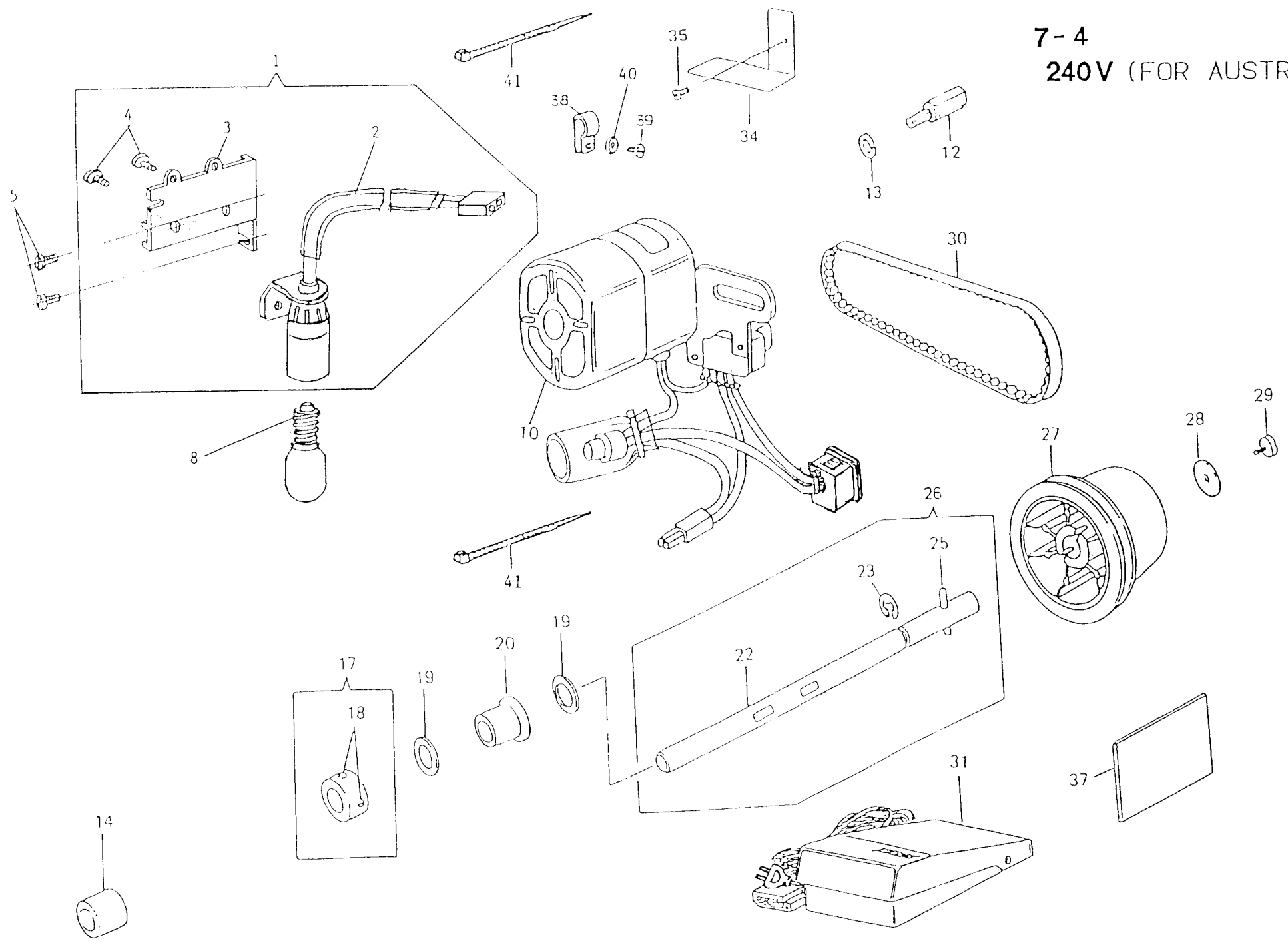


## 230V (FOR EUROPE)

7-3

Part No.	Description	Part No.	Description
1 369238	Lamp Holder, Bracket Comp. (for 230V)	38 542766-001	Cord Holder
2 369213	Lamp Holder Comp. (for 230V)	39 544225-073	Cord Holder Screw
3 281459	Lamp Holder Bracket	40 543804-009	Cord Holder Screw Washer
4 544211-002	Lamp Holder Screw (2)		
5 544212-002	Lamp Holder Bracket Screw (2)	41 540899	Cord Holder Retainer
		41 540899	Motor Cord Retainer
8 369215-001	Lamp (screw type) (for 230V, 15W)		
10 369221-357	Motor, Switch Comp. (for 230V)		
12 544259	Motor Bracket Clamping Screw		
13 543805-005	Motor Bracket Clamping Screw Washer		
14 410252	Rotating Shaft Bushing (left)		
17 410470	Rotating Shaft Collar Comp.		
18 544204-001	Rotating Shaft Collar Set Screw (2)		
19 408730	Rotating Shaft Thrust Washer (2)		
20 410253	Rotating Shaft Bushing (right)		
22 376816	Rotating Shaft		
23 543801-010	Rotating Shaft Retaining Ring		
25 543809-004	Rotating Shaft Spring Pin		
26 376808	Rotating Shaft Comp.		
27 410268-005	Pulley		
28 543848	Pulley Set Screw Washer		
29 544270-001	Pulley Set Screw		
30 412721	Motor Belt		
31 419465-165	Controller Comp. (for 230V)		
34 412737	Cord Clamping Plate		
35 544212-001	Cord Clamping Plate Screw		
37 369305-008	Electrical Data Plate (for 230V) (for 444B)		
37 369305-007	Electrical Data Plate (for 230V) (for 454B)		

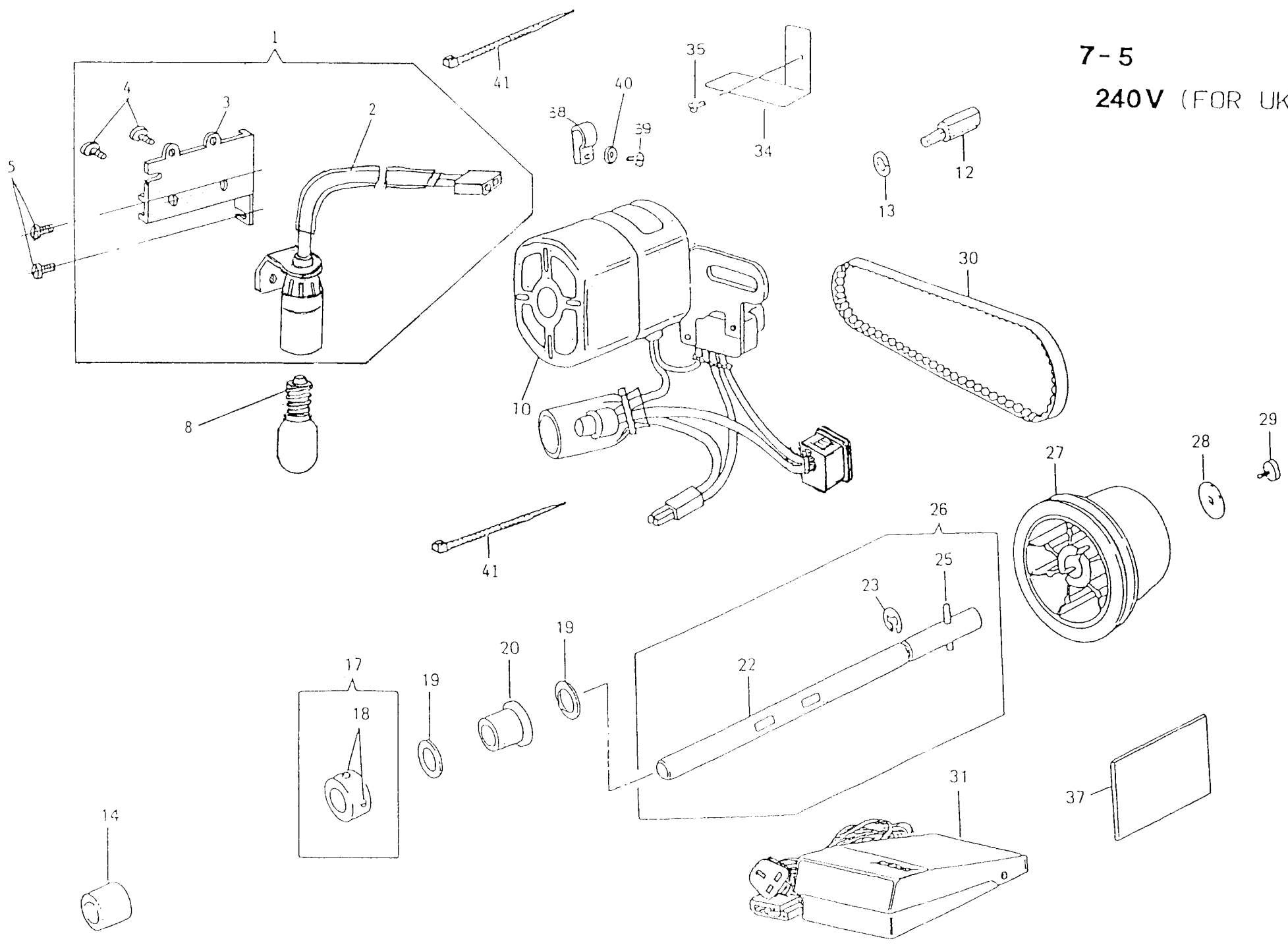
7-4  
240V (FOR AUSTRALIA)



240V (FOR AUSTRALIA)

Part No.	Description	Part No.	Description
1	369238 Lamp Holder, Bracket Comp. (for 240V)	38	542766-001 Cord Holder
2	369213 Lamp Holder Comp. (for 240V)	39	544225-073 Cord Holder Screw
3	281459 Lamp Holder Bracket	40	543804-009 Cord Holder Screw Washer
4	544211-002 Lamp Holder Screw (2)		
5	544212-002 Lamp Holder Bracket Screw (2)	41	540899 Cord Holder Retainer
		41	540899 Motor Cord Retainer
8	369215-001 Lamp (screw type) (for 240V, 15W)		
10	419196-167 Motor, Switch Comp. (for 240V)		
12	544259 Motor Bracket Clamping Screw		
13	543805-005 Motor Bracket Clamping Screw Washer		
14	410252 Rotating Shaft Bushing (left)		
17	410470 Rotating Shaft Collar Comp.		
18	544204-001 Rotating Shaft Collar Set Screw (2)		
19	408730 Rotating Shaft Thrust Washer (2)		
20	410253 Rotating Shaft Bushing (right)		
22	376816 Rotating Shaft		
23	543801-010 Rotating Shaft Retaining Ring		
25	543809-004 Rotating Shaft Spring Pin		
26	376808 Rotating Shaft Comp.		
27	410268-005 Pulley		
28	543848 Pulley Set Screw Washer		
29	544270-001 Pulley Set Screw		
30	412721 Motor Belt		
31	419465-161 Controller Comp. (for 240V)		
34	412737 Cord Clamping Plate		
35	544212-001 Cord Clamping Plate Screw		
37	— Electrical Data Plate (for 240V) (for 444B)		
37	— Electrical Data Plate (for 240V) (for 454B)		

7-5  
240V (FOR UK)



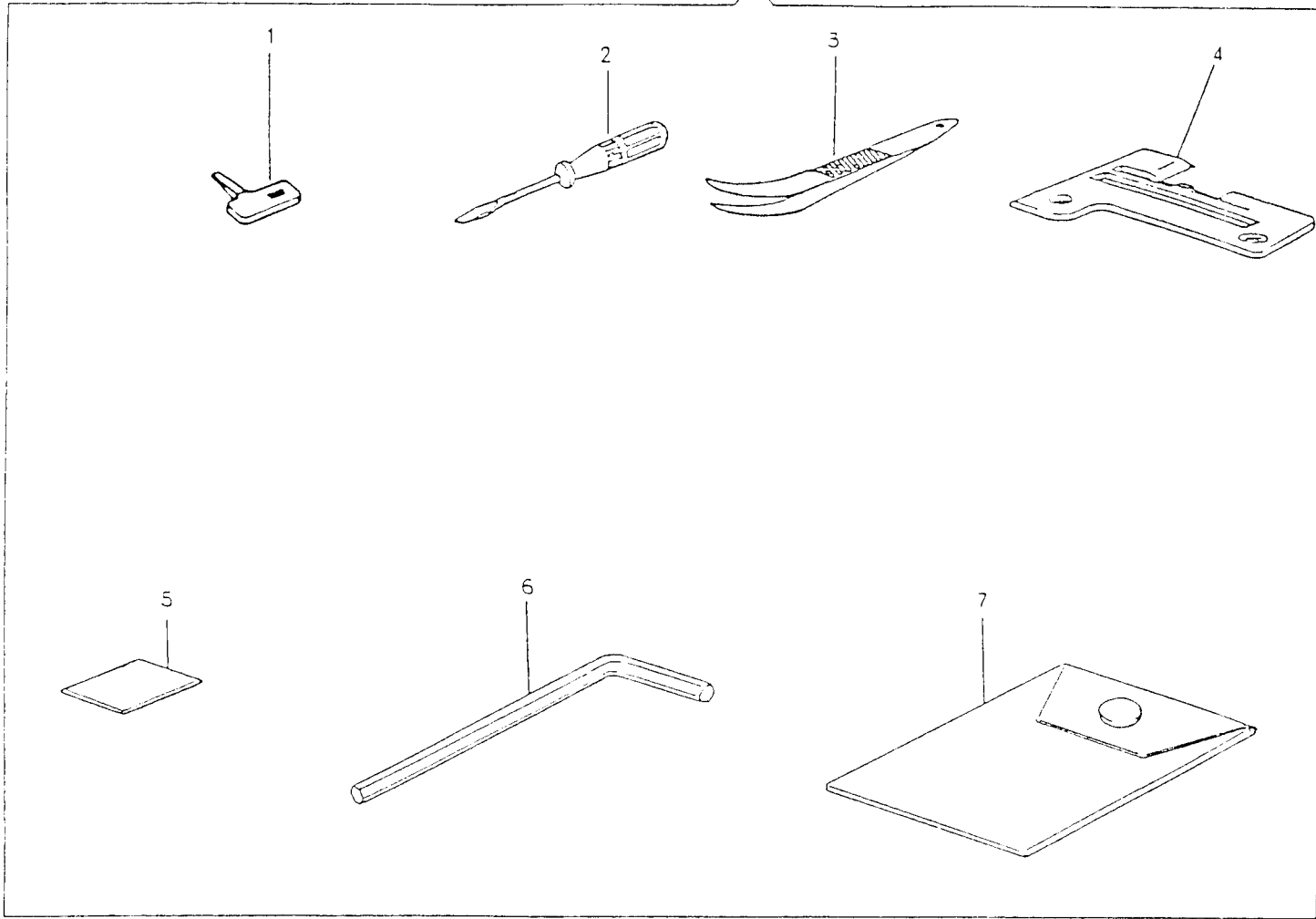
## 240V (FOR UK)

7-5

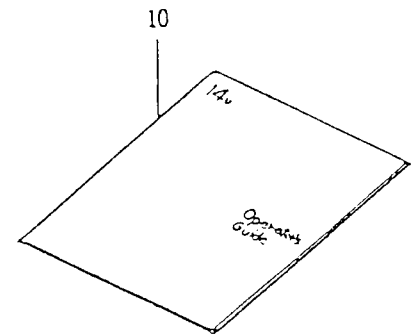
	Part No.	Description		Part No.	Description
1	369238	Lamp Holder, Bracket Comp. (for 240V)	38	542766-001	Cord Holder
2	369213	Lamp Holder Comp. (for 240V)	39	544225-073	Cord Holder Screw
3	281459	Lamp Holder Bracket	40	543804-009	Cord Holder Screw Washer
4	544211-002	Lamp Holder Screw (2)			
5	544212-002	Lamp Holder Bracket Screw (2)	41	540899	Cord Holder Retainer
8	369215-001	Lamp (screw type) (for 240V, 15W)	41	540899	Motor Cord Retainer
10	419196-167	Motor, Switch Comp. (for 240V)			
12	544259	Motor Bracket Clamping Screw			
13	543805-005	Motor Bracket Clamping Screw Washer			
14	410252	Rotating Shaft Bushing (left)			
17	410470	Rotating Shaft Collar Comp.			
18	544204-001	Rotating Shaft Collar Set Screw (2)			
19	408730	Rotating Shaft Thrust Washer (2)			
20	410253	Rotating Shaft Bushing (right)			
22	376816	Rotating Shaft			
23	543801-010	Rotating Shaft Retaining Ring			
25	543809-004	Rotating Shaft Spring Pin			
26	376808	Rotating Shaft Comp.			
27	410268-005	Pulley			
28	543848	Pulley Set Screw Washer			
29	544270-001	Pulley Set Screw			
30	412721	Motor Belt			
31	419465-167	Controller Comp. (for 240V)			
34	412737	Cord Clamping Plate			
35	544212-001	Cord Clamping Plate Screw			
37	419461-003	Electrical Data Plate (for 240V) (for 444B )			
37	419461-004	Electrical Data Plate (for 240V) (for 454F)			



8

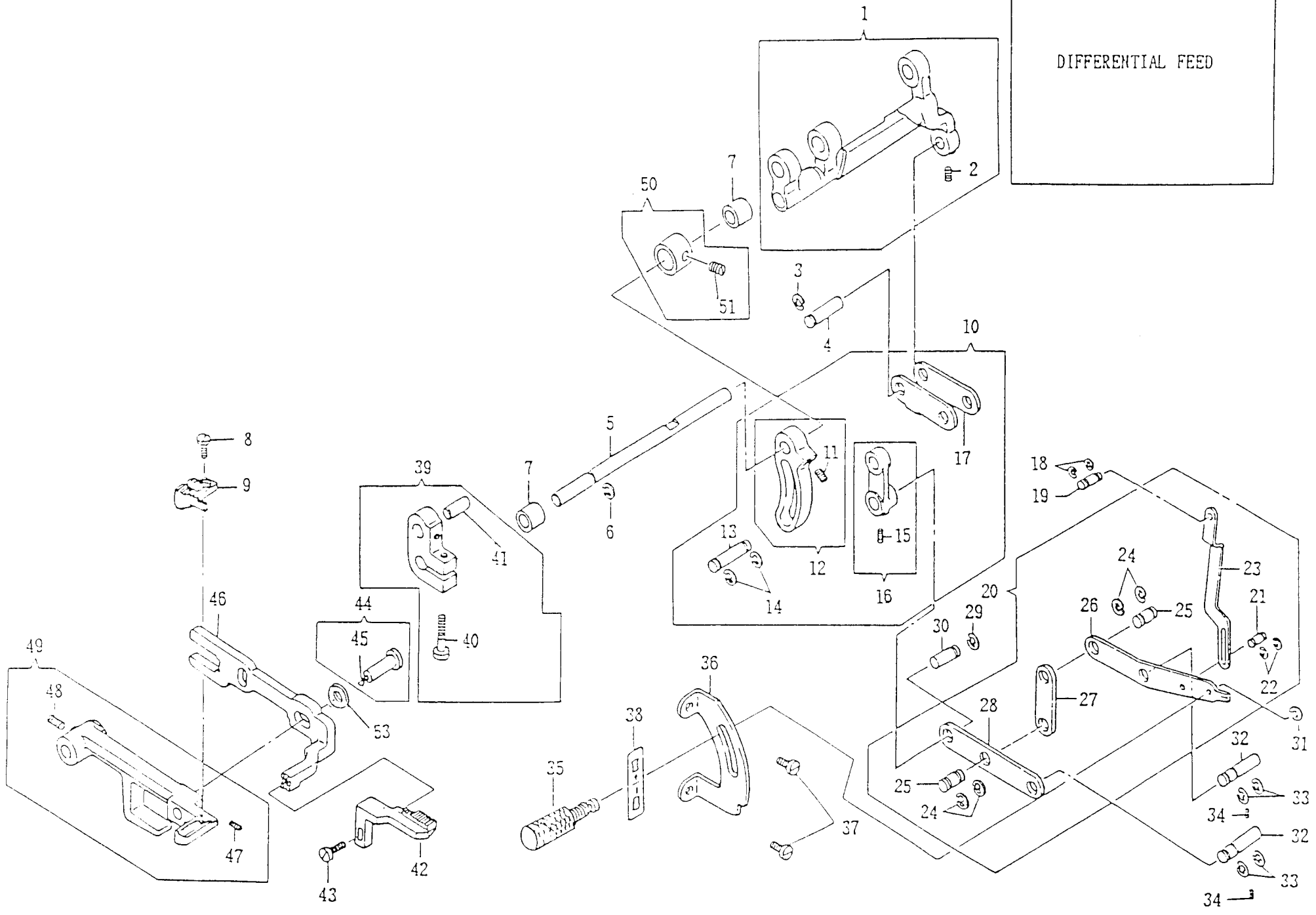


8



	Part No.	Description			
1	541561	Driver (sheet metal)			
2	541514	Driver (small size)			
3	376638	Tweezers			
4	412784	Throat Plate Comp. (for rolled hem)			
5	410189	Needle Pack			
6	543066	Hexagon Wrench Key			
7	410191	Accessory Pack			
8	370229-004	Accessory Set			
10	379459-002	Operator's Guide (for English)			

9  
DIFFERENTIAL FEED



Part No..	Description	Part No..	Description		
1	412618	Differential Feed Crank Comp.	34	544203-001	Differential Feed Adjusting Lever Stud Screw (2)
2	544204-001	Differential Feed Crank Stud Screw	35	376784	Differential Feed Konb Screw
3	543801-006	Differential Feed Crank Stud Retaining Ring	36	412645	Differential Feed Adjusting Lever Guide Plate
4	412620	Differential Feed Crank Stud	37	544212-001	Differential Feed Adjusting Lever Guide Plate Screw (2)
5	412628	Differential Feed Shaft	38	412655-902	Differential Feed Sticker
6	543801-006	Differential Feed Shaft Retaining Ring	39	376518	Differential Feed Arm Comp.
7	410324	Differential Feed Shaft Bushing (2)	40	544212-055	Differential Feed Arm Clamping Screw
8	544103	Main Feed Dog Screw	41	412634	Auxiliary Feed Bar Driving Pin
9	376521	Main Feed Dog	42	376522	Auxiliary Feed Dog
10	412621	Differential Feed Crank Rod Comp.	43	544490	Auxiliary Feed Dog Screw
11	544204-001	Differential Feed Adjusting Arm Screw	44	410266	Auxiliary Feed Bar Guide Pin Comp.
12	412623	Differential Feed Adjusting Arm Comp.	45	410422	Auxiliary Feed Bar Guide Pin Wick
13	412627	Differential Feed Crank Rod Stud	46	412648	Auxiliary Feed Bar
14	543801-006	Differential Feed Crank Rod Stud Retaining Ring (2)	47	544203-001	Auxiliary Feed Bar Guide Pin Screw
15	544203-001	Differential Feed Adjusting Lever Arm Pin Screw	48	544204-001	Feed Crank Pin Screw
16	412625	Differential Feed Adjusting Lever Arm Comp.	49	412646	Main Feed Bar Comp.
17	412622	Differential Feed Crank Rod	50	375390	Differential Feed Shaft Collar Comp.
18	543801-002	Differential Feed Safety Plate Stud (upper) Retaining Ring (2)	51	544207-011	Differential Feed Shaft Collar Screw
19	412643	Differential Feed Safety Plate Stud (upper)	53	543531	Auxiliary Feed Bar Guide Pin Thrust Washer
20	412636	Differential Feed Adjusting Lever Comp.			
21	412642	Differential Feed Safety Plate Stud (lower)			
22	543801-002	Differential Feed Safety Plate Stud (lower) Retaining Ring (2)			
23	412641	Differential Feed Safety Plate			
24	543801-006	Differential Feed Adjusting Lever Pin Retaining Ring (4)			
25	412638	Differential Feed Adjusting Lever Pin (2)			
26	412640	Differential Feed Adjusting Lever (upper)			
27	412639	Differential Feed Adjusting Lever Link			
28	412637	Differential Feed Adjusting Lever (lower)			
29	543801-006	Differential Feed Adjusting lever Arm Pin Retaining Ring			
30	412635	Differential Feed Adjusting Lever Arm Pin			
31	543860-003	Differential Feed Konb Screw Retaining Ring			
32	412644	Differential Feed Adjusting Lever Stud (2)			
33	543801-006	Differential Feed Adjusting Lever Stud Retaining Ring (4)			