

SINGER
14U286B

Sample

173745-286

PARTS LIST

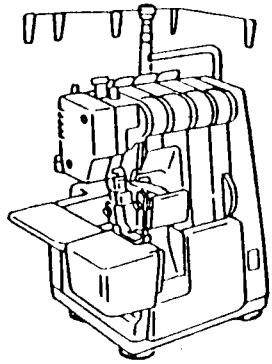
SINGER*

14U286B

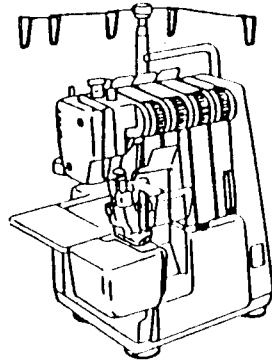
* A Trademark of THE SINGER COMPANY
Copyright © 1990 SINGER SEWING MACHINE COMPANY
All Rights Reserved Throughout The World

INDEX

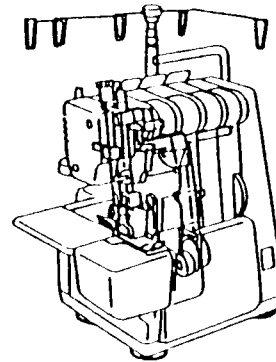
1



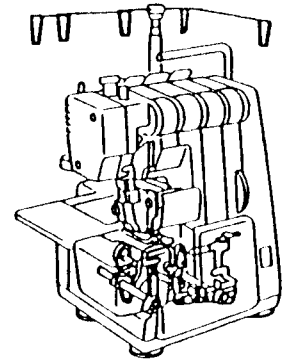
2



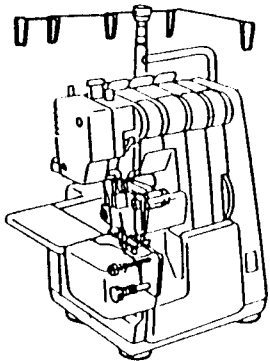
3



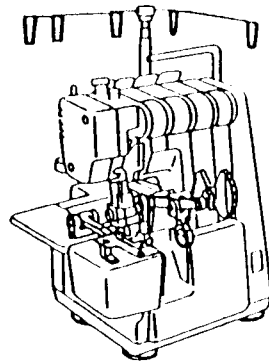
4



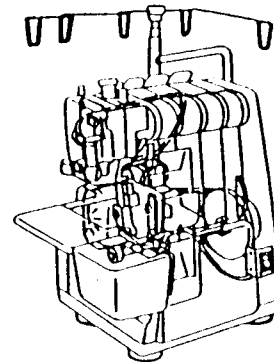
5



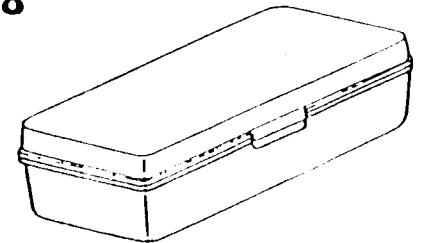
6



7

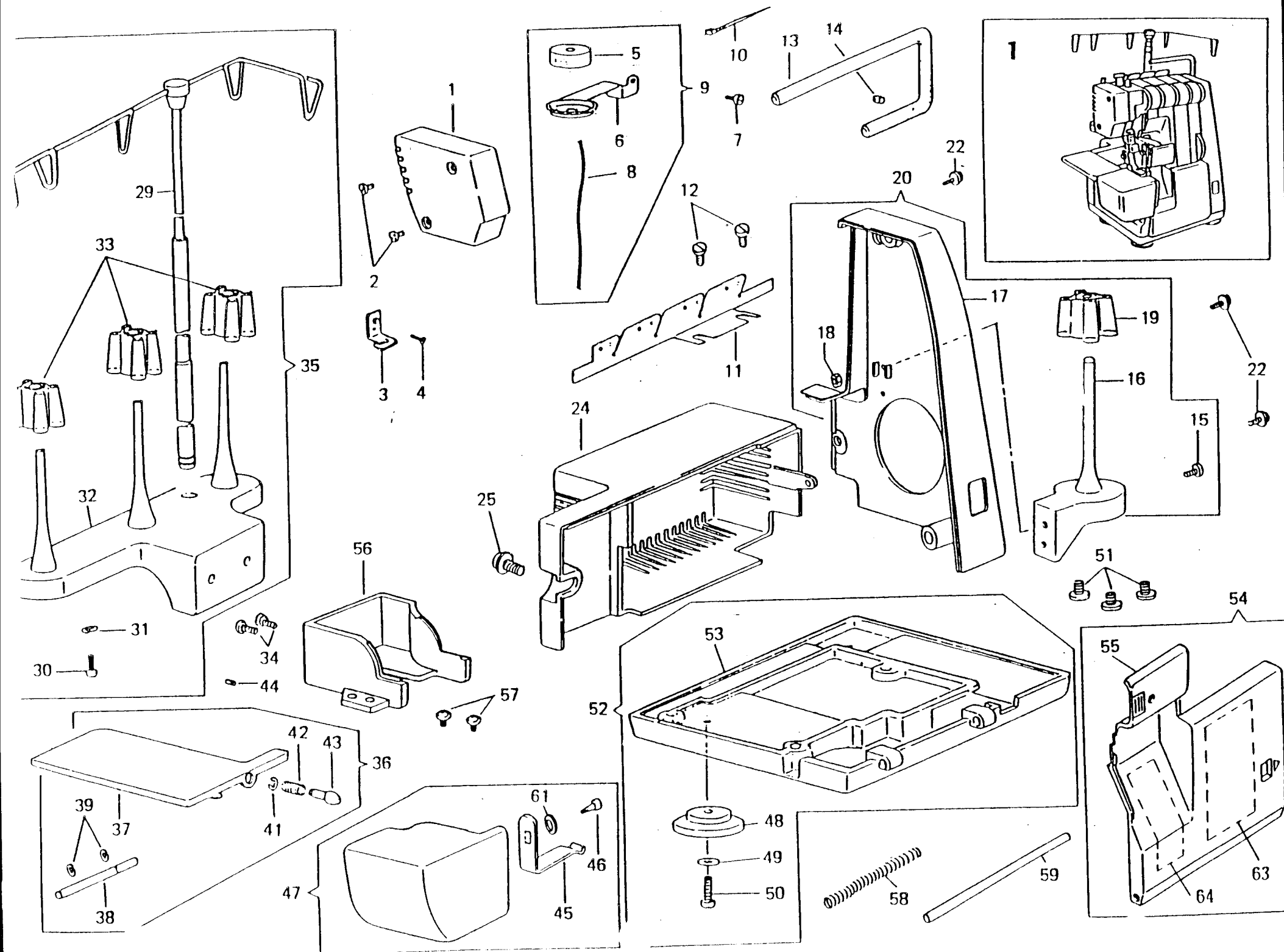


8

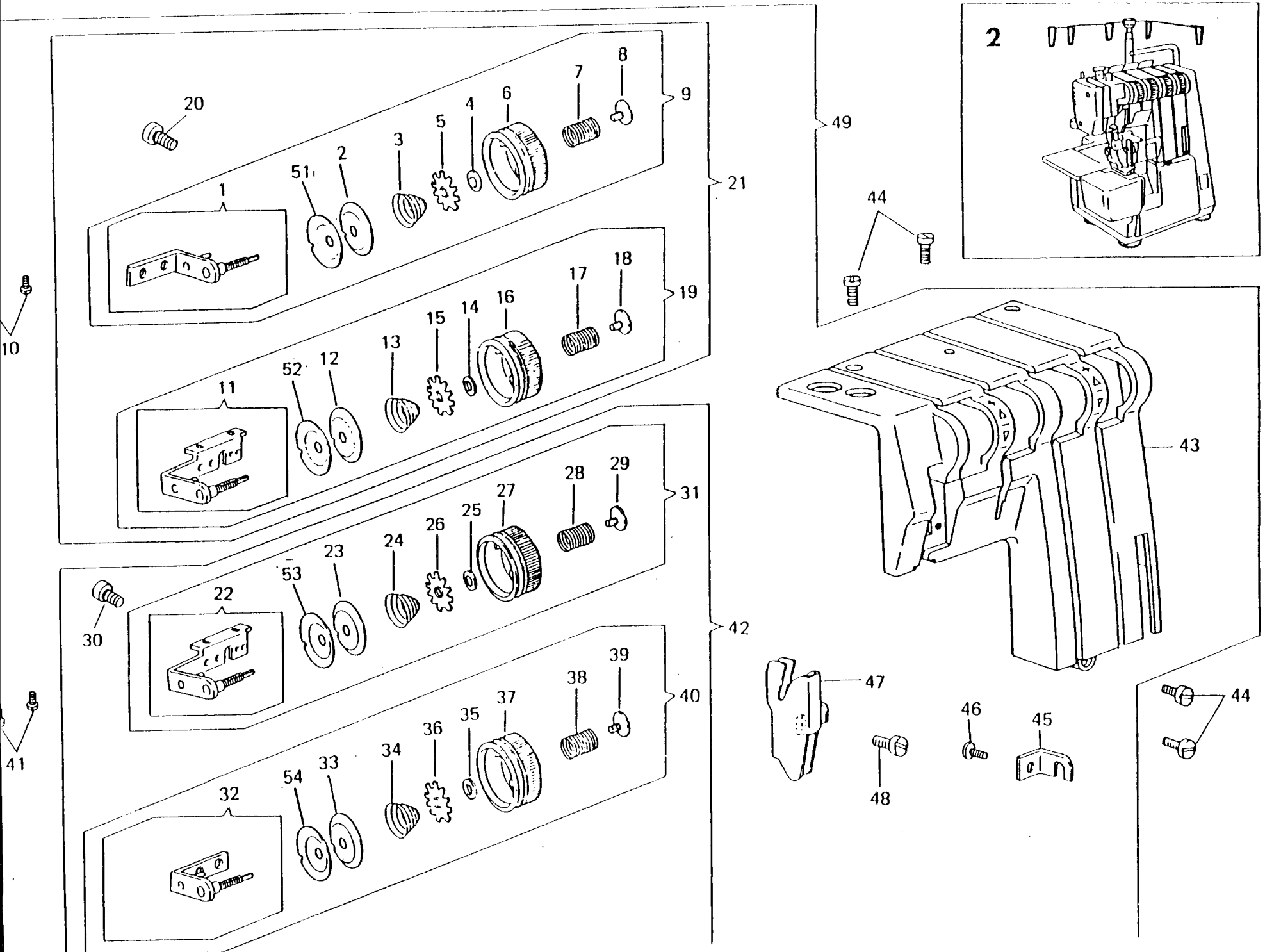


9

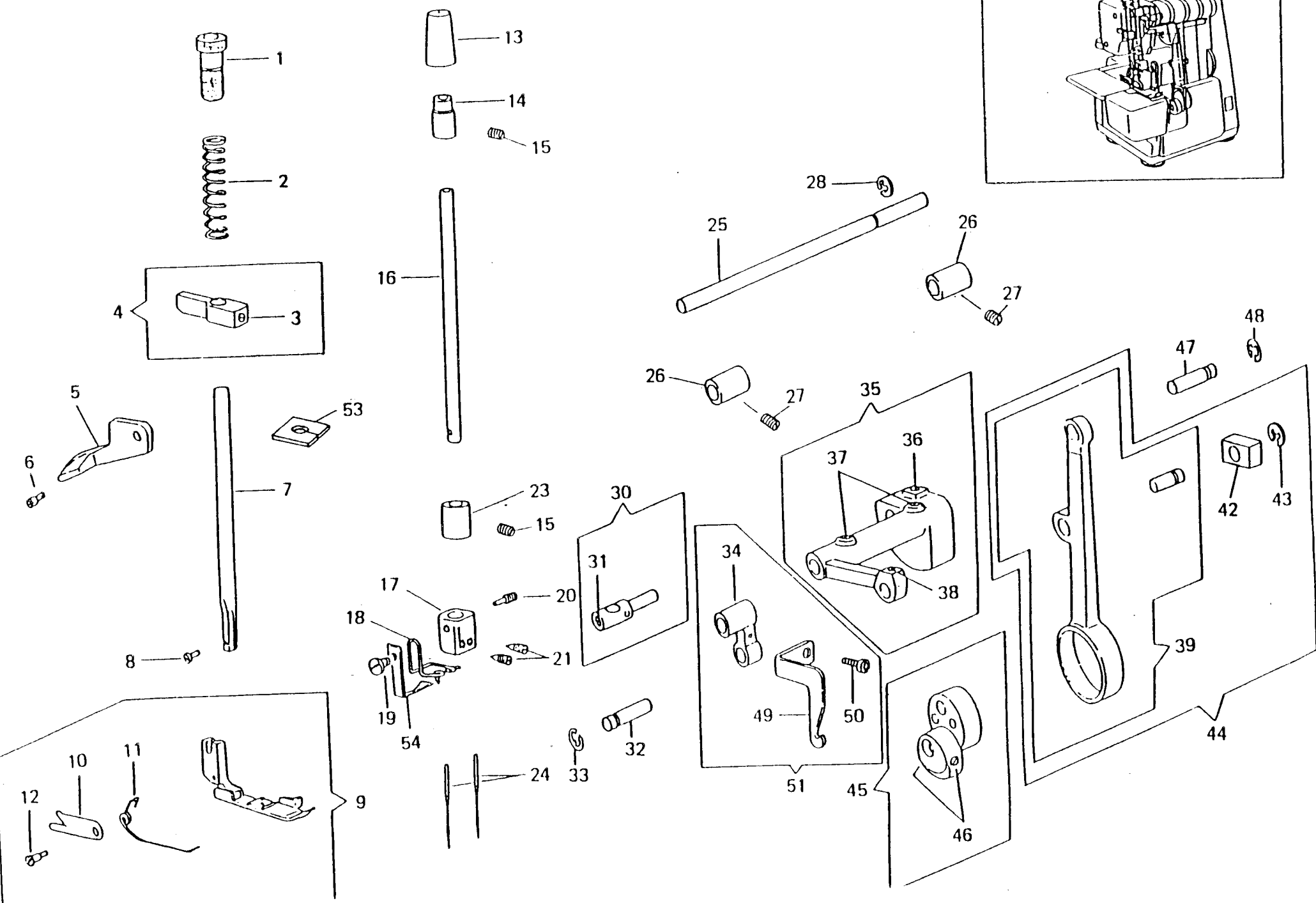
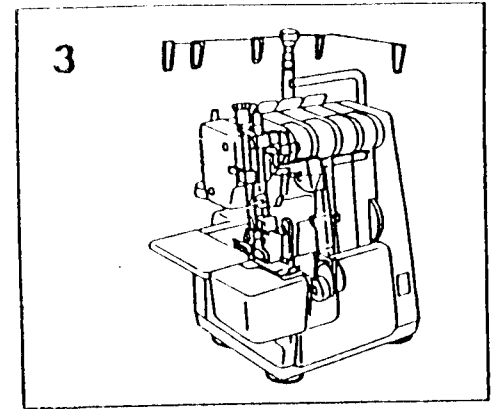
DIFFERENTIAL FEED



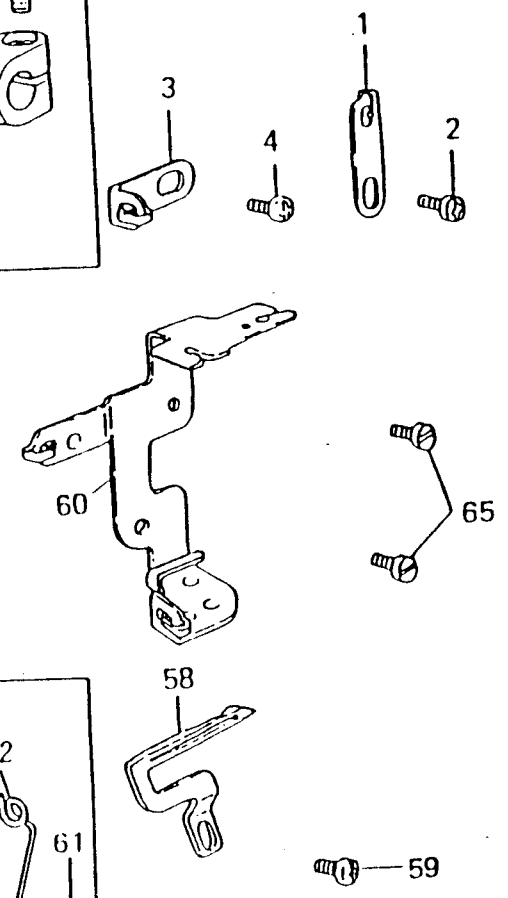
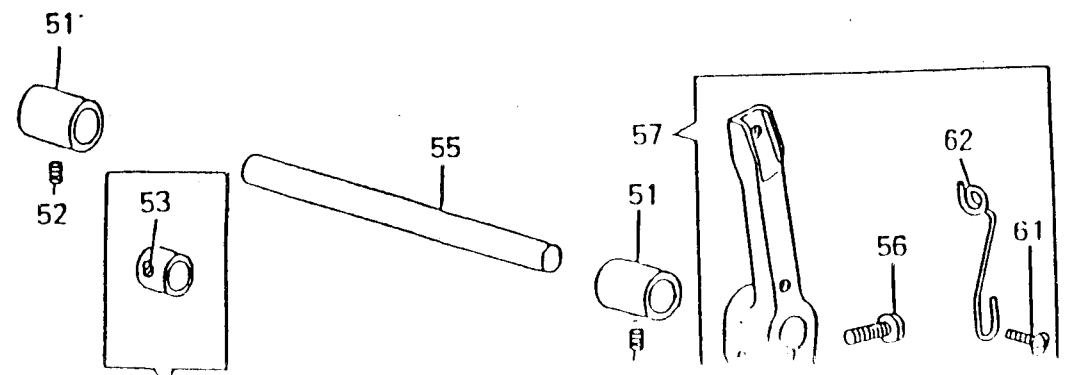
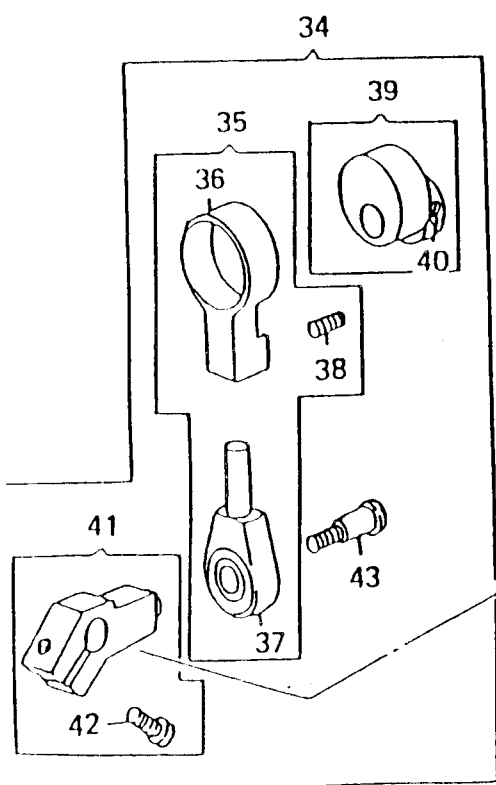
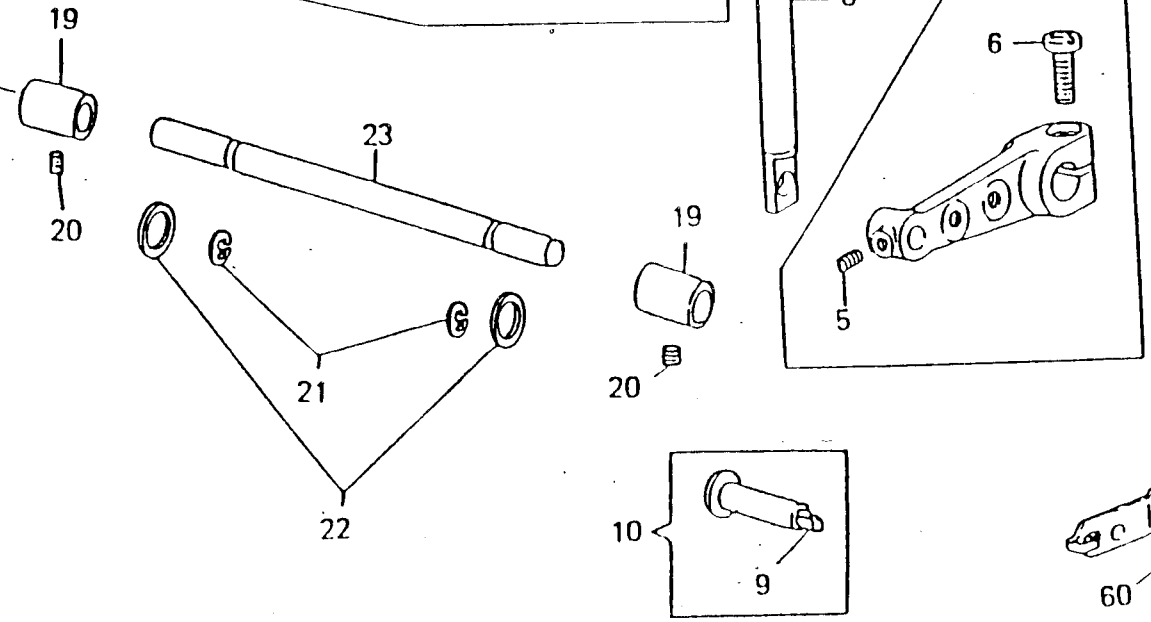
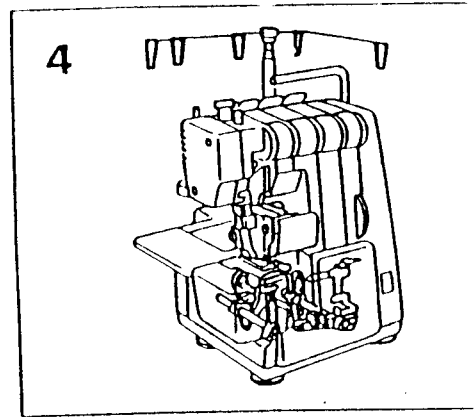
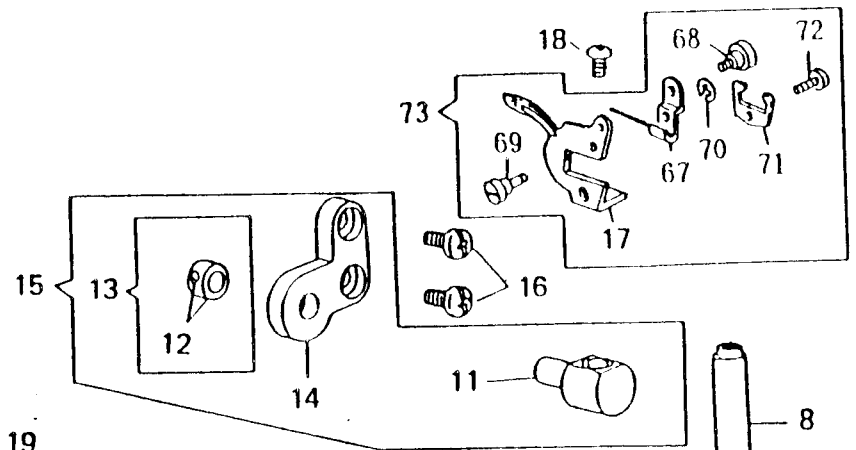
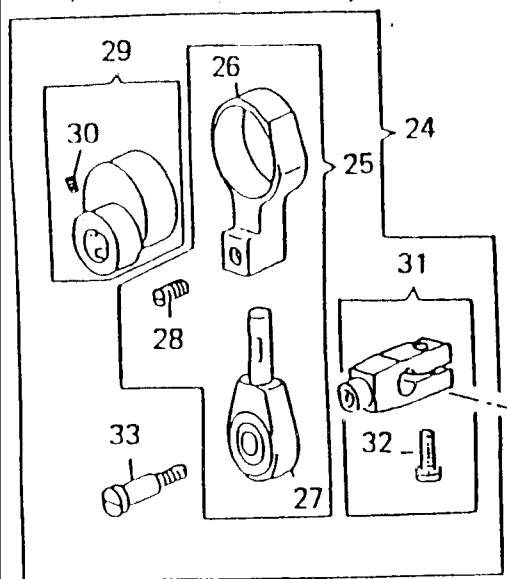
	PART NO.	DESCRIPTION		PART NO.	DESCRIPTION
			39	546623	Convertible Bed Plate Stud Retaining Ring(2)
1	412735-002	Light Cover			
2	544212-072	Light Cover Screw(2)	41	546623	Convertible Bed Plate Latch Retaining Ring
3	412534	Needle Thread Guide	42	376786	Convertible Bed Plate Latch Spring
4	544258	Needle Thread Guide Screw	43	381874-451	Convertible Bed Plate Latch
5	410205	Felt	44	544203-001	Convertible Bed Plate Stud-Screw
6	410204	Felt Support	45	412682	Cylinder Cover Spring
7	544039	Felt Support Set Screw	46	412697	Cylinder Cover Spring Clamping Screw
8	543370	Oil Wick	47	412706-002	Cylinder Cover Complete
9	410203	Felt Support Comp.	48	410208	Machine Base Cushion(4)
10	540899	Cord Retainer	49	543803-004	Machine Base Cushion Screw Washer(4)
11	410209	Thread Guide Plate	50	544218-001	Machine Base Cushion Screw(4)
12	544212-001	Thread Guide Plate Set Screw(2)	51	544214-005	Machine Base Screw(3)
13	410202	Handle	52	370256-451	Machine Base Comp.
14	544204-005	Handle Set Screw	53	370257-451	Machine Base
15	544212-004	Thread Unwinder (small) Screw	54	376626-451	Looper Cover Comp.
16	376779-002	Thread Unwinder (small)	55	376627-451	Looper Cover
17	412750-002	Pulley Cover	56	412736-002	Transformer Cover
18	541165-001	Thread Unwinder (small) Screw Nut	57	544270-001	Transformer Cover Screw(2)
19	546893	Spool Holder	58	376717	Looper Cover Hinge Spring
20	412766-002	Pulley Cover Comp.	59	410239	Looper Cover Hinge Pin
22	544270-001	Pulley Cover Screw(3)	61	543804-003	Cylinder Cover Spring Clamping Screw Washer
24	410248-003	Motor Cover	63	376526-002	Threading Chart
25	544270-001	Motor Cover Screw	64	376513-002	Right Looper Chart
29	412761	Thread Unwinder Thread Guide Rod Comp.			
30	544212-003	Thread Unwinder Thread Guide Rod Screw			
31	543805-003	Thread Unwinder Thread Guide Rod Screw Washer			
32	410389-902	Thread Unwinder Comp.			
33	546893	Spool Holder(3)			
34	544213-001	Thread Unwinder Comp.Screw(2)			
35	412767-002	Thread Unwinder Comp.			
36	376781-002	Convertible Bed Plate Comp.			
37	376780-902	Convertible Bed Plate (body)			
38	376785	Convertible Bed Plate Stud			



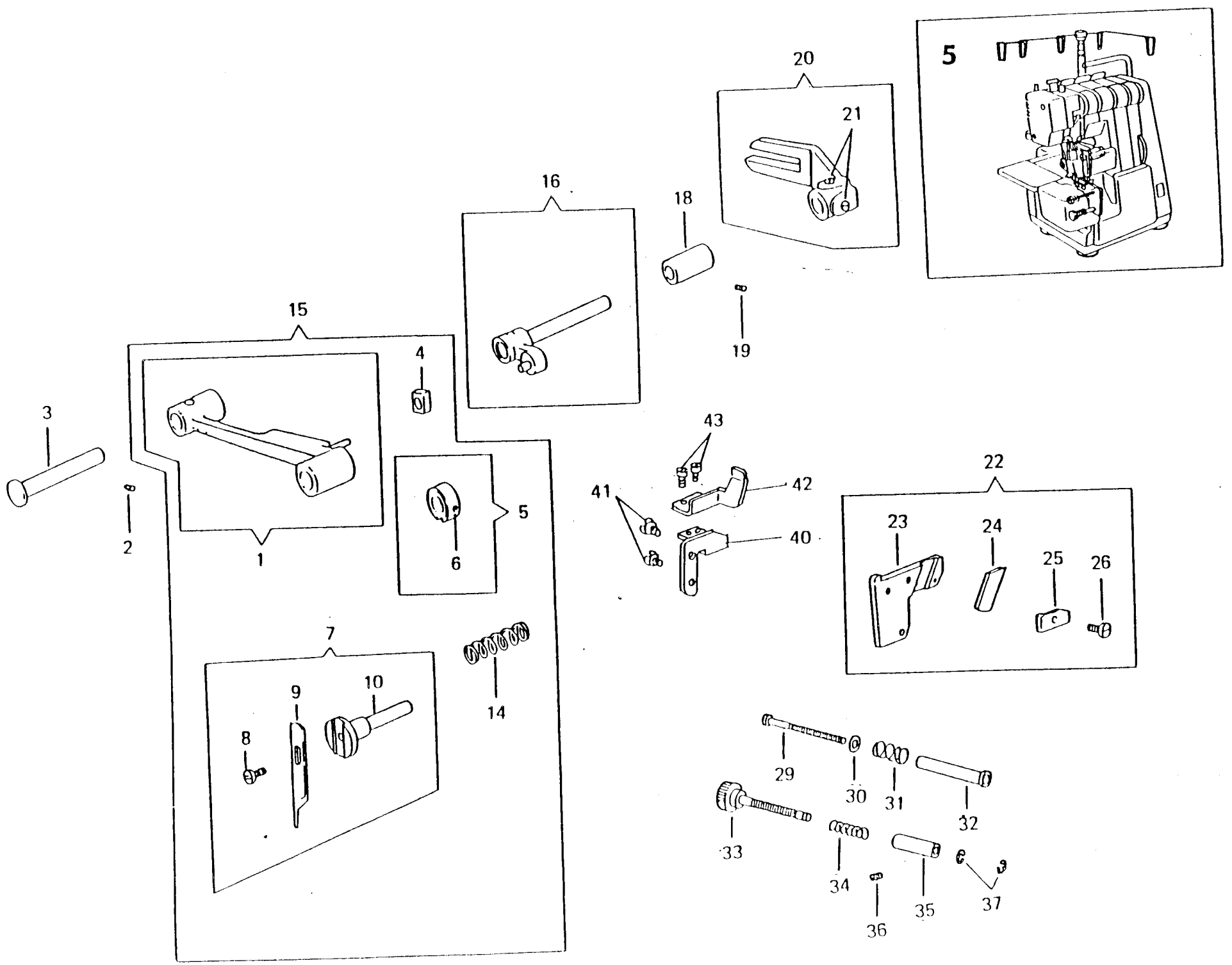
PART NO.		DESCRIPTION	PART NO.		DESCRIPTION
1	376818	One Turn Tension Dial Bracket (right) Comp.	39	544265	Tension Dial Presser Spring Screw
2	410226	Tension Disc	40	376591	One Turn Tension Dial Comp. (N) (right) (for 2 needle)
3	376620	Tension Disc Spring	41	412697-002	Tension Dial Comp. Screw (2)
4	412696	Washer	42	376601	One Turn Tension Dial Comp. (N) (for 2 needle)
5	370289	Tension Disc Spring Nut	43	412754 011'	Front Cover (body) Comp. (for 2 needle)
6	376582-452	Tension Dial Comp.	44	544212-073	Front Cover Screw (4)
7	410230	Tension Dial Presser Spring	45	412531	Front Cover Thread Guide (small)
8	544265	Tension Dial Presser Spring Screw	46	412697-002	Front Cover Thread Guide (small) Screw
9	376595 /	One Turn Tension Dial Comp. (L) (right)	47	412751	Front Cover Thread Guide (for 2 needle)
10	412697-002	Tension Dial Comp. Screw (2)	48	412697	Front Cover Thread Guide Screw
11	376817	One Turn Tension Dial Bracket (left) Comp.	49	376617 002	Front Cover Comp. (for 2 needle)
12	410226	Tension Disc	51	376566	Tension Disc (with Dent)
13	376619	Tension Disc Spring	52	376566	Tension Disc (with Dent)
14	412696	Washer	53	376566	Tension Disc (with Dent)
15	370289	Tension Disc Spring Nut	54	376566	Tension Disc (with Dent)
16	376582-451	Tension Dial Comp.			
17	410230	Tension Dial Presser Spring			
18	544265	Tension Dial Presser Spring Screw			
19	376593	One Turn Tension Dial Comp. (L) (left)			
20	544212-001	Tension Dial Bracket (left) Set Screw			
21	376600	One Turn Tension Dial Comp. (L)			
22	376817	One Turn Tension Dial Bracket (left) Comp.			
23	410226	Tension Disc			
24	412680	Tension Disc Spring			
25	412696	Washer			
26	370289	Tension Disc Spring Nut			
27	376582-453	Tension Dial Comp.			
28	410230	Tension Dial Presser Spring			
29	544265	Tension Dial Presser Spring Screw			
30	544212-001	Tension Dial Bracket (left) Set Screw			
31	376589	One Turn Tension Dial Comp. (N) (left)			
32	370245	One Turn Tension Dial Bracket (right) Comp.			
33	410226	Tension Disc			
34	412680	Tension Disc Spring			
35	412696	Washer			
36	370289	Tension Disc Spring Nut			
37	376582-454	Tension Disc Comp.			
38	410230	Tension Disc Presser Spring			



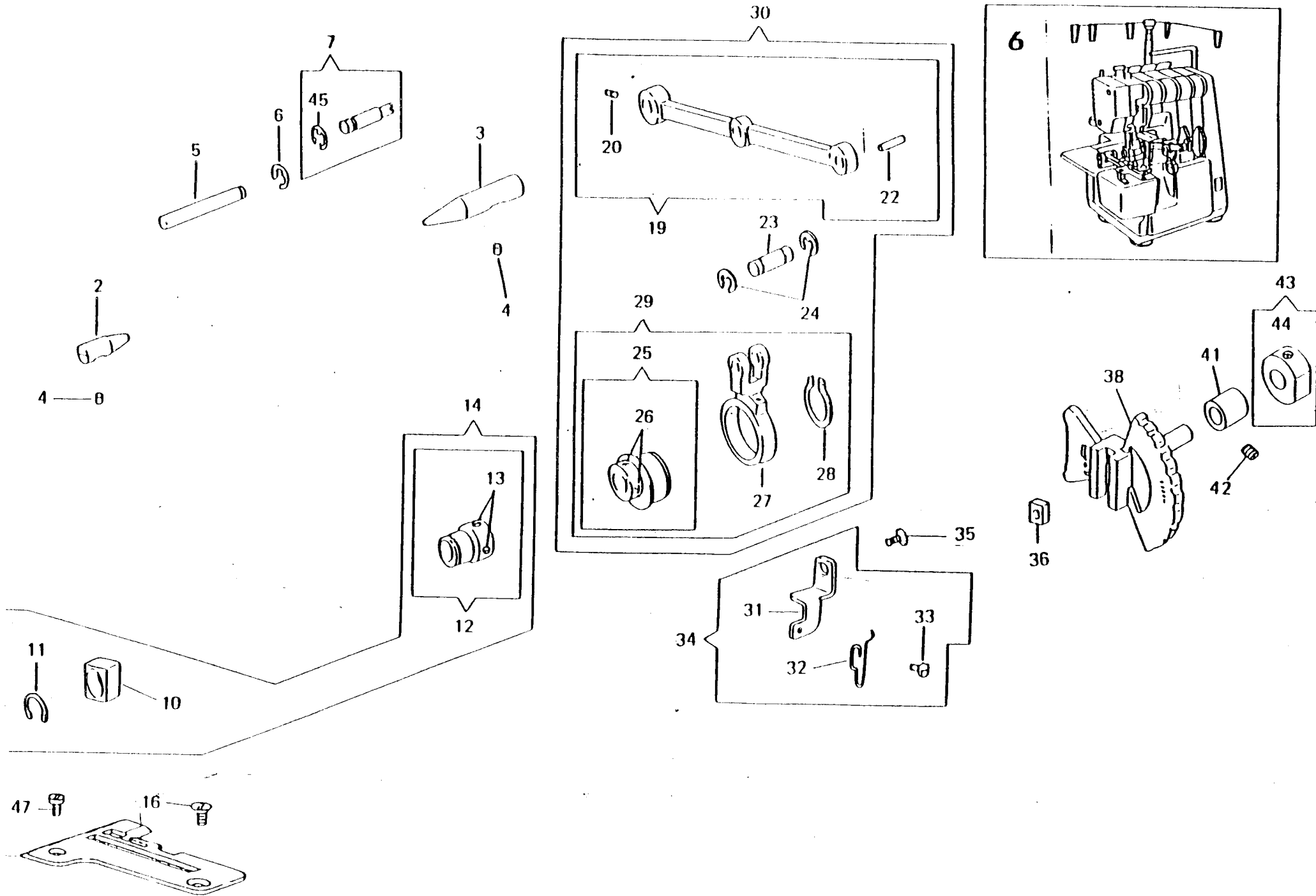
PART NO.		DESCRIPTION	PART NO.	DESCRIPTION
1	544262-101	Presser Regulating Thru Screw	39	370243 Needle Bar Crank Rod Comp.
2	410355	Presser Bar Spring		
3	544204-001	Presser Bar Guide Bracket Screw	42	511030 Needle Bar Crank Rod Slide Block
4	410352	Presser Bar Guide Bracket Comp.	43	543801-006 Needle Bar Crank Rod Slide Block Pin Retaining Ring
5	412787-100	Presser Bar Lifter	44	370242 Needle Bar Crank Rod Comp.
6	544441	Presser Bar Lifter Screw Stud	45	410329 Needle Bar Eccentric Cam Comp.
7	410351	Presser Bar	46	544204-002 Needle Bar Eccentric Cam Set Screw (2)
8	504063-451	Presser Foot Screw	47	410340 Needle Bar Crank Rod Pin
9	412731	Presser Foot Comp.	48	543801-006 Needle Bar Crank Rod Pin Retaining Ring
10	410349	Thread Cutter	49	376516 - Striker
11	410348	Presser Foot Spring	50	544211-051 Striker Screw
12	544264	Presser Foot Screw Stud	51	376515 Needle Bar Connecting Link Comp.
13	410322-100	Needle Bar Bushing (upper) Cap		
14	410323	Needle Bar Bushing (upper)		
15	544204-001	Needle Bar Bushing Set Screw (2)	53	376567 Presser Bar Fell
16	376844	Needle Bar	54	376514 Needle Clamp Thread Guide
17	376554	Needle Clamp		
18	376848	Needle Bar Thread Guide		
19	544211-059	Needle Bar Thread Guide Set Screw		
20	374102	Needle Bar Set Screw		
21	374364	Needle Set Screw (2)		
23	410324	Needle Bar Bushing (lower)		
24	N2054-42-14	Needle (#14) (2)		
25	412684	Arm Shaft		
26	410279	Arm Shaft Bushing (2)		
27	544204-001	Arm Shaft Bushing Set Screw (2)		
28	543801-007	Arm Shaft Retaining Ring		
30	410325	Needle Bar Connecting Stud Comp.		
31	544044	Needle Bar Connecting Stud Screw		
32	410340	Needle Bar Connecting Link Pin		
33	543801-006	Needle Bar Connecting Link Pin Retaining Ring		
34	410327	Needle Bar Connecting Link		
35	412707	Needle Bar Crank Comp.		
36	544203-001	Needle Bar Crank Rod Pin Screw		
37	544204-001	Needle Bar Crank Screw (2)		
38	544203-001	Needle Bar Connecting Link Pin Screw		



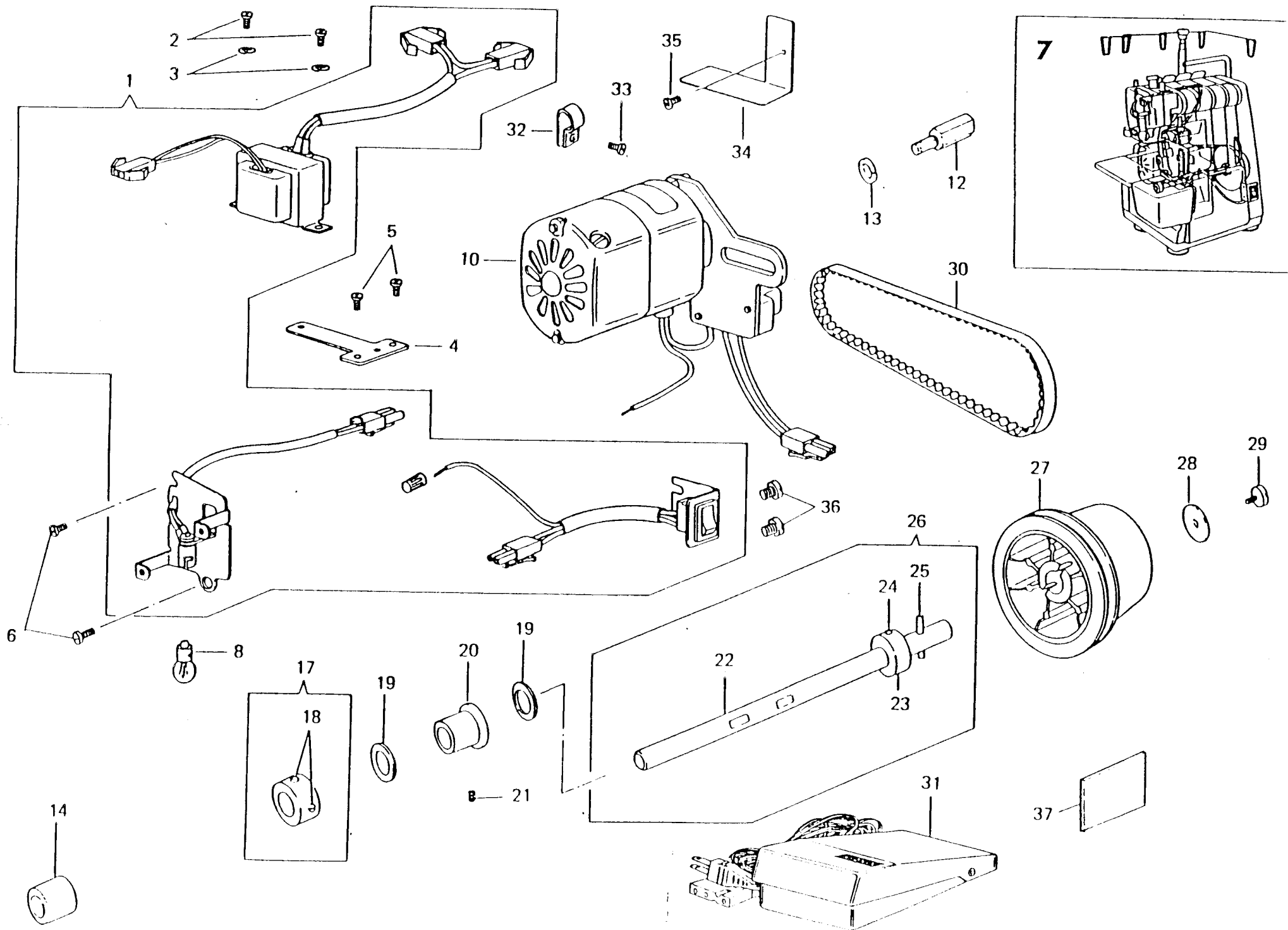
PART NO.	DESCRIPTION	PART NO.	DESCRIPTION
1 410455	Right Looper Thread Guide	39 376701	Looper Cam Comp.
2 544212-001	Right Looper Thread Guide Set Screw	40 544204-001	Looper Cam Set Screw(2)
3 410438	Left Looper Thread Guide	41 412798	Left Looper Shaft Lever Comp.
4 544212-001	Left Looper Thread Guide Set Screw	42 414750-001	Left Looper Shaft Lever Screw
5 544203-001	Right Looper Retainer Driving Lever Stud Set Screw	43 374136	Screw Stud
6 544213-053	Right Looper Retainer Driving Lever Clamping Screw		
7 410436	Right Looper Retainer Driving Lever Comp.		
8 410435	Right Looper Retainer		
9 410422	Right Looper Retainer Driving Lever Stud Oil Wick		
10 410449	Right Looper Retainer Driving Lever Stud Comp.		
11 410429	Right Looper Retainer Guide		
12 544203-001	Right Looper Retainer Guide Collar Screw(2)		
13 410432	Right Looper Retainer Guide Collar Comp.	51 410279	Left Looper Shaft Bushing (2)
14 370281	Right Looper Retainer Guide Bracket	52 544204-001	Left Looper Shaft Bushing Set Screw (2)
15 370280	Right Looper Retainer Guide Bracket Comp.	53 544203-001	Left Looper Shaft Collar Screw (2)
16 544213-002	Right Looper Retainer Guide Bracket Screw(2)	54 410291	Left Looper Shaft Collar Comp.
17 410434	Right Looper	55 410487	Left Looper Shaft
18 544413	Right Looper Screw	56 414750-001	Left Looper Holder Clamping Screw
19 410279	Right Looper Shaft Bushing (2)	57 410453	Left Looper Holder Comp.
20 544204-001	Right Looper Shaft Bushing Set Screw (2)	58 410452	Left Looper
21 543801-008	Right Looper Shaft Retaining Ring (2)	59 544211-052	Left Looper Screw
22 542402	Right Looper Shaft Bushing Thrust Washer (2)	60 376800-001	Looper Thread Guide
23 376787	Right Looper Shaft	61 544212-001	Left Looper Holder Thread Guide Screw
24 376707	Right Looper Cam Rod Comp.	62 410456	Left Looper Holder Thread Guide
25 412793	Looper Cam Rod Comp.		
26 412794	Looper Cam Rod		
27 412795	Rod End	65 544212-001	Looper Thread Guide Screw(2)
28 544208-002	Rod End Set Screw		
29 376701	Looper Cam Comp.	67 370237	Right Looper Horn Bracket Comp.
30 544204-001	Looper Cam Set Screw(2)	68 374354	Right Looper Horn Bracket Hinge Screw
31 412796	Right Looper Shaft Lever Comp.	69 370240	Right Looper Horn Bracket Eccentric Pin
32 414750-001	Right Looper Shaft Lever Screw	70 543801-001	Right Looper Horn Bracket Eccentric Pin Retaining Ring
33 374136	Screw Stud	71 370241	Right Looper Horn Bracket Stopper
34 376708	Left Looper Cam Rod Comp.	72 374355	Right Looper Horn Bracket Stopper Screw
35 412793	Looper Cam Rod Comp.	73 370235	Right Looper Comp.
36 412794	Looper Cam Rod		
37 412795	Rod End		
38 544208-002	Rod End Set Screw		



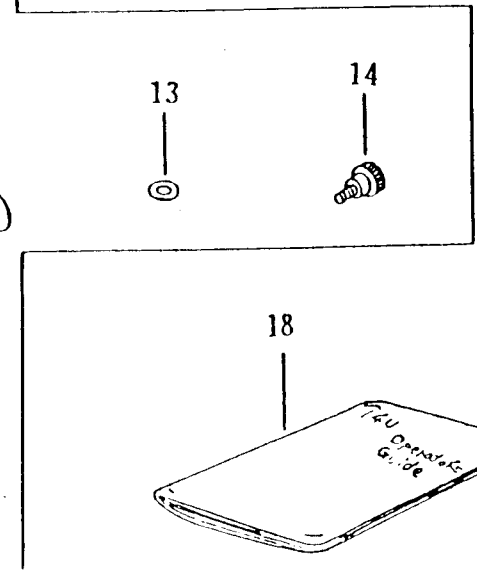
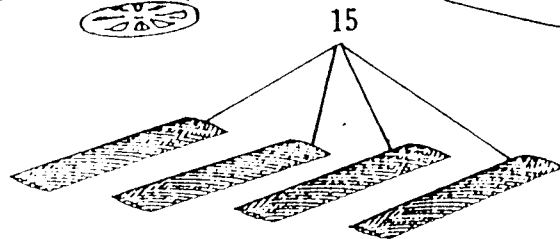
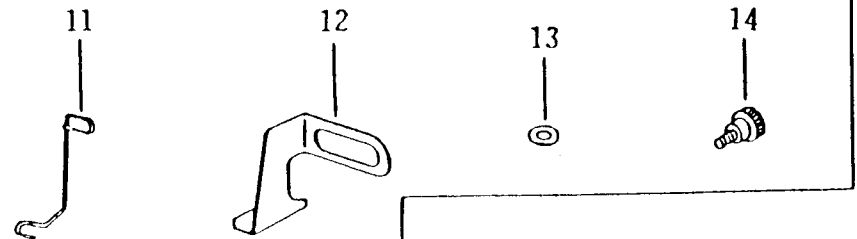
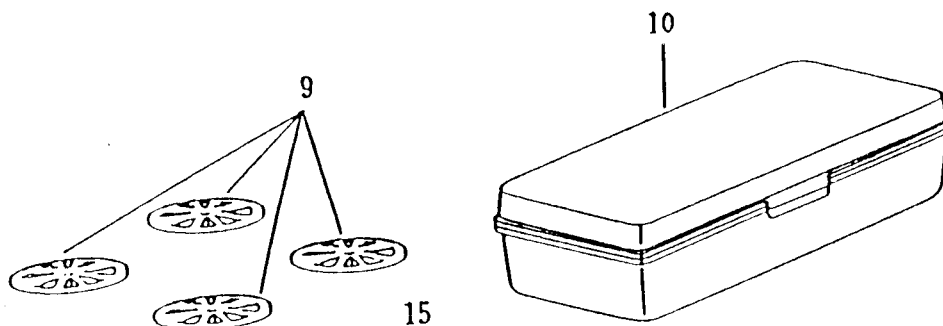
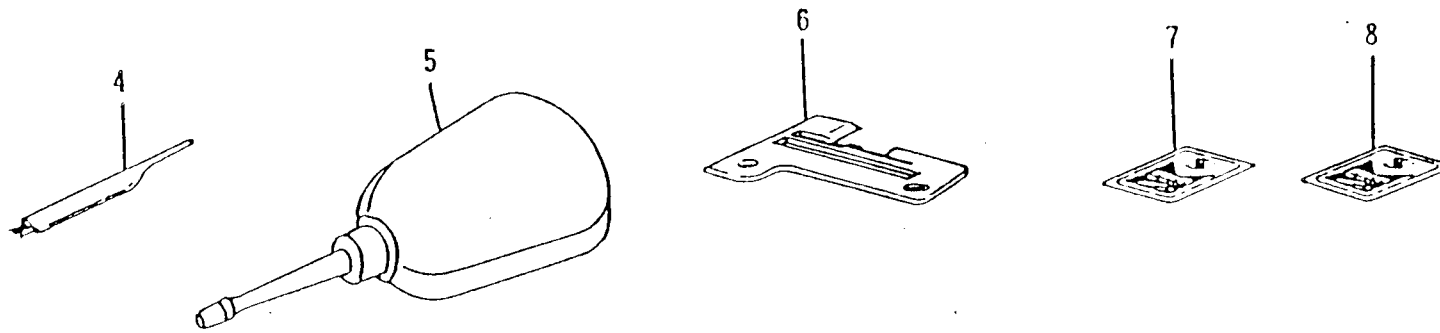
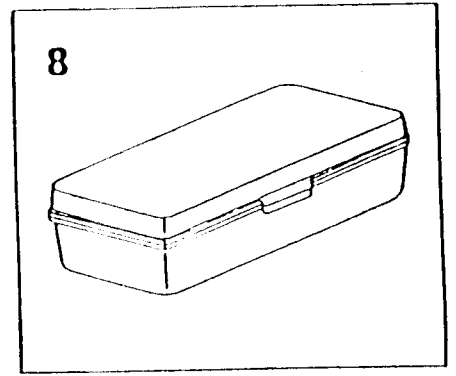
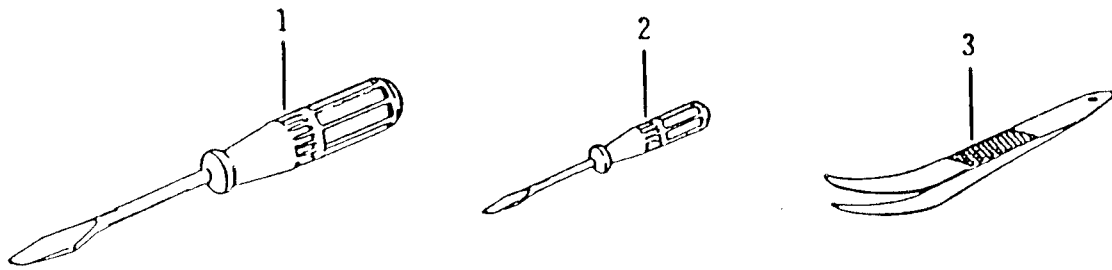
PARTS		DESCRIPTION	PARTS NO.	DESCRIPTION
1	410299-451	Knife (movable) Lever Comp.	40	376628 Needle Guard Bracket for Overedge Needle
2	544204-001	Knife (movable) Lever Hinge Stud Screw	41	544211-051 Needle Guard Bracket for Overedge Needle Screw (2)
3	410310	Knife (movable) Lever Hinge Stud	42	376625 Needle Guard for Overedge Needle (front)
4	540254	Knife (movable) Lever Slide Block	43	545180 Needle Guard for Overedge Needle (front) Screw (2)
5	410308	Knife (movable) Holder Collar Comp.		
6	544203-001	Knife (movable) Holder Collar Set Screw		
7	412584	Knife (movable) Comp.		
8	544407	Knife (movable) Screw		
9	412585	Knife (movable)		
10	412588	Knife (movable) Holder		
14	410307	Knife (movable) Holder Spring		
15	410298-451	Knife (movable) Lever Comp.		
16	410312-012	Knife (movable) Lever Driving Arm Comp.		
18	410316	Knife (movable) Forked Lever Stud Bushing		
19	544204-001	Knife (movable) Forked Lever Stud Bushing Set Screw		
20	410317	Knife (movable) Forked Lever Comp.		
21	544204-001	Knife (movable) Forked Lever Screw (2)		
22	412768	Knife (stationary) Comp.		
23	412738	Knife (stationary) Holder		
24	412749	Knife (stationary)		
25	410297	Knife (stationary) Clamping Plate		
26	544256	Knife (stationary) Clamping Plate Screw		
29	374104	knife (stationary) Holder Stud Screw		
30	541217	Knife (stationary) Holder Stud Screw Washer		
31	412774	Knife (stationary) Holder Stud Spring		
32	412773	knife (stationary) Holder Stud		
33	412740	Knife (stationary) Holder Adjust Screw		
34	381877	Knife (stationary) Holder Adjust Screw Spring		
35	412741	Knife (stationary) Holder Adjust Screw Bushing		
36	544207-002	Knife (stationary) Holder Adjust Screw Bushing Screw		
37	547412	Knife (stationary) Holder Adjust Screw Retaining Ring (2)		



PART NO.		DESCRIPTION	PART NO.	DESCRIPTION	
2	410380	Feed Crank Pin Center (small)	41	410370	Feed Regulator Stud Bushing
3	410379	Feed Crank Pin Center (large)	42	544204-001	Feed Regulator Stud Bushing Set Screw
4	544204-001	Feed Crank Pin Center Screw(2)	43	410409	Feed Regulator Stud Collar Comp.
5	410381	Feed Crank Pin	44	504007	Feed Regulator Stud Collar Screw
6	543801-006	Feed Crank Pin Retaining Ring	45	543801-007	Feed Crank Eccentric Pin Retaining Ring
7	410382	Feed Crank Eccentric Pin Comp.	47	412694	Throat Plate Position Screw
10	410387	Feed Lifting Cam Slide Block			
11	543818-010	Feed Lifting Cam Slide Block Retaining Ring			
12	410385	Feed Lifting Cam Comp.			
13	544204-001	Feed Lifting Cam Set Screw(2)			
14	410384	Feed Lifting Cam Comp.			
15	412730	Throat Plate			
16	504050-851	Throat Plate Screw			
19	410364	Feed Regulator Crank Rod Comp			
20	544204-001	Feed Crank Eccentric Pin Screw			
22	410373	Feed Regulator Slide Block Stud			
23	410363	Feed Crank Rod Pin			
24	543801-006	Feed Crank Rod Pin Retaining Ring (2)			
25	410360	Feed Cam Comp.			
26	544203-001	Feed Cam Screw(2)			
27	410362	Feed Crank Rod			
28	543802-014	Feed Cam Retaining Ring			
29	410359	Feed Cam Comp.			
30	410393	Feed Regulator Crank Rod Comp.			
31	410376	Feed Regulator Dial Spring Bracket			
32	410377	Feed Regulator Dial Spring			
33	544212-001	Feed Regulator Dial Spring Screw			
34	410375	Feed Regulator Dial Spring Bracket Comp.			
35	544213-001	Feed Regulator Dial Spring Bracket Screw			
36	540254	Feed Regulator Slide Block			
38	412788-003	Feed Regulator Dial Comp.			



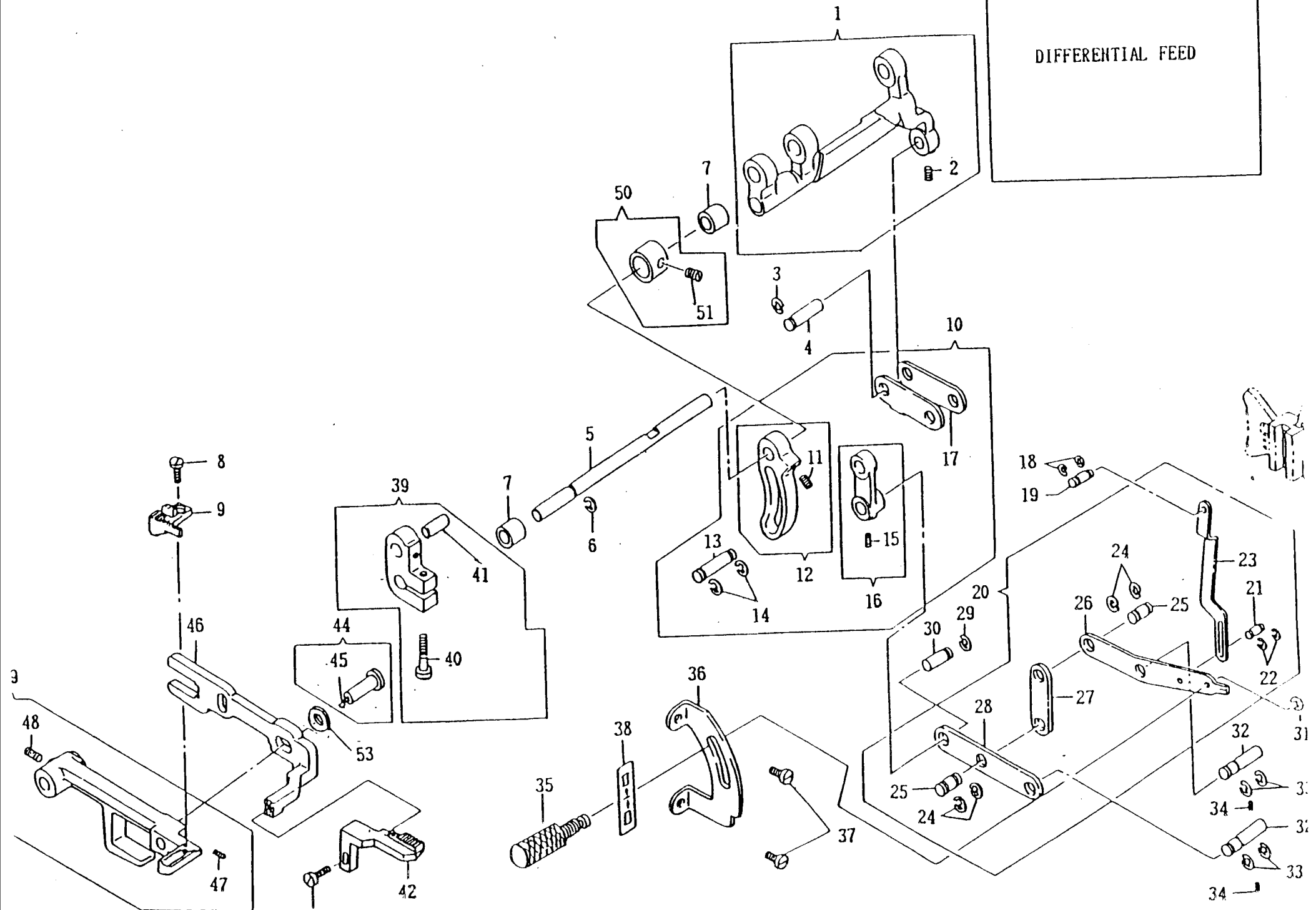
	PART NO.	DESCRIPTION		PART NO.	DESCRIPTION
1	419087	Switch, Transformer, Lamp Holder Comp.			
2	549324	Transformer Screw(2)			
3	543805-002	Transformer Spring Washer(2)			
4	412752	Transformer Bracket			
5	544212-001	Transformer Bracket Screw(2)			
6	544212-001	Lamp Holder Bracket Screw(2)			
8	419088	Lamp			
10	419114-002	Motor Comp. (for UL/CSA)			
12	544259	Motor Bracket Clamping Screw			
13	543805-005	Motor Bracket Clamping Screw Washer			
14	410252	Rotating Shaft Bushing (left)			
17	410470	Rotating Shaft Collar Comp.			
18	544204-001	Rotating Shaft Collar Set Screw(2)			
19	408730	Rotating Shaft Thrust Washer(2)			
20	410253	Rotating Shaft Bushing (right)			
21	544204-001	Rotating Shaft Bushing (right) Set Screw			
22	410257	Rotating Shaft			
23	410469	Rotating Shaft Collar (fixed)			
24	543808-004	Rotating Shaft Collar Positioning Pin			
25	543809-004	Rotating Shaft Spring Pin			
26	410256	Rotating Shaft Comp.			
27	410268-002	Pulley			
28	543848	Pulley Set Screw Washer			
29	544270-001	Pulley Set Screw			
30	412721	Motor Belt			
31	419451-001	Controller Comp. (for UL/CSA)			
32	542766-001	Cord Holder			
33	544212-001	Cord Holder Screw			
34	412737	Cord Clamping Plate			
35	544212-001	Cord Clamping Plate Screw			
36	544212-001	Switch Bracket Screw(2)			
37	419116	Electrical Data Plate (for UL/CSA)			



	PARTS NO.	DESCRIPTION	PARTS NO.	DESCRIPTION
1	541513	Driver (large)		
2	541514	Driver (small)		
3	376638	Tweezers		
4	546358	Brush		
5	541574	Oiler		
6	412784	Throat Plate For Rolled Hem Comp.		
7	N2054 42 10	Needle (#10) (2)		
8	N2054-42 14	Needle (#14) (3)		
9	546894	Thread Unwinder Spool Cap (4)		
10	543150-002	Accessory Box		
11	412762	Tape Guide		
12	412746	Edge Guide		
13	543803-003	Edge Guide Screw Washer		
14	374105	Edge Guide Screw		
15	543131	Thread Unwinder Spool Net (4)		
16	412658 031	Accessory Set		
18	379308 002	Operator's Guide		

9

DIFFERENTIAL FEED



	PAR	O.	DESCRIPTION	PARTS NO.	DESCRIPTION
1	412618		Differential Feed Crank Comp.	39 376518	Differential Feed Arm Comp.
2	544204-001		Differential Feed Crank Stud Screw	40 544212-055	Differential Feed Arm Clamping Screw
3	543801-006		Differential Feed Crank Stud Retaining Ring	41 412634	Auxiliary Feed Bar Driving Pin
4	412620		Differential Feed Crank Stud	42 376522	Auxiliary Feed Dog
5	412628		Differential Feed Shaft	43 544490	Auxiliary Feed Dog Screw
6	543801-006		Differential Feed Shaft Retaining Ring	44 410266	Auxiliary Feed Bar Guide Pin Comp.
7	410324		Differential Feed Shaft Bushing (2)	45 410422	Auxiliary Feed Bar Guide Pin Wick
8	544103		Main Feed Dog Screw	46 412648	Auxiliary Feed Bar
9	376521		Main Feed Dog	47 544203-001	Auxiliary Feed Bar Guide Pin Screw
10	412621		Differential Feed Crank Rod Comp.	48 544204-001	Feed Crank Pin Screw
11	544204-001		Differential Feed Adjusting Arm Screw	49 412646	Main Feed Bar Comp.
12	412623		Differential Feed Adjusting Arm Comp.	50 375390	Differential Feed Shaft Collar Comp.
13	412627		Differential Feed Crank Rod Stud	51 544203-001	Differential Feed Shaft Collar Screw
14	543801-006		Differential Feed Crank Rod Stud Retaining Ring (2)		
15	544203-001		Differential Feed Adjusting Lever Arm Pin Screw	53 543531	Auxiliary Feed Bar Guide Pin Thrust Washer
16	412625		Differential Feed Adjusting Lever Arm Comp.		
17	412622		Differential Feed Crank Rod		
18	543801-002		Differential Feed Safety Plate Stud (upper) Retaining Ring (2)		
19	412643		Differential Feed Safety Plate Stud (upper)		
20	412636		Differential Feed Adjusting Lever Comp.		
21	412642		Differential Feed Safety Plate Stud (lower)		
22	543801-002		Differential Feed Safety Plate Stud (lower) Retaining Ring (2)		
23	412641		Differential Feed Safety Plate		
24	543801-006		Differential Feed Adjusting Lever Pin Retaining Ring (4)		
25	412638		Differential Feed Adjusting Lever Pin (2)		
26	412640		Differential Feed Adjusting Lever (upper)		
27	412639		Differential Feed Adjusting Lever Link		
28	412637		Differential Feed Adjusting Lever (lower)		
29	543801-006		Differential Feed Adjusting Lever Arm Pin Retaining Ring		
30	412635		Differential Feed Adjusting Lever Arm Pin		
31	543860-003		Differential Feed Knob Screw Retaining Ring		
32	412644		Differential Feed Adjusting Lever Stud (2)		
33	543801-006		Differential Feed Adjusting Lever Stud Retaining Ring (4)		
34	544203-001		Differential Feed Adjusting Lever Stud Screw (2)		
35	376784		Differential Feed Knob Screw		
36	412645		Differential Feed Adjusting Lever Guide Plate		
37	544212-001		Differential Feed Adjusting Lever Guide Plate Screw (2)		
38	412655-902		Differential Feed Sticker		