

SINGER
14U285B

PARTS LIST

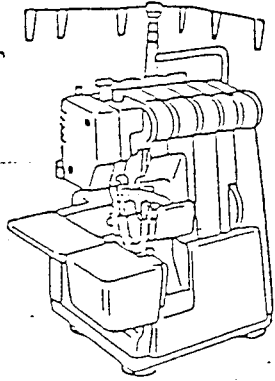
SINGER*

14U285B

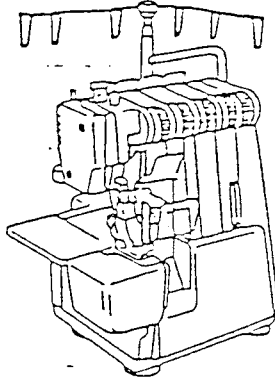
* A Trademark of THE SINGER COMPANY
Copyright © 1990 SINGER SEWING MACHINE COMPANY
All Rights Reserved Throughout The World

INDEX

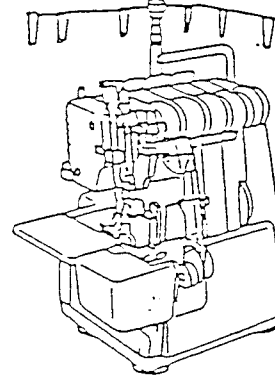
1



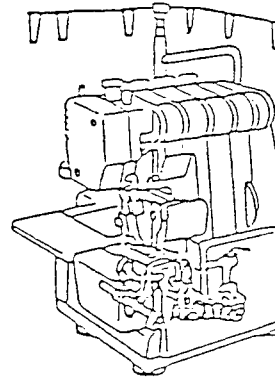
2



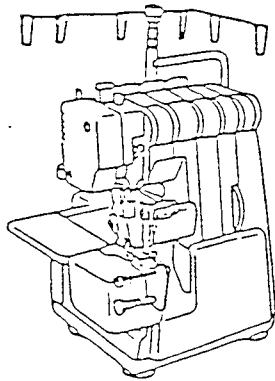
3



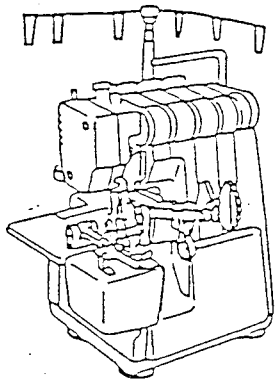
4



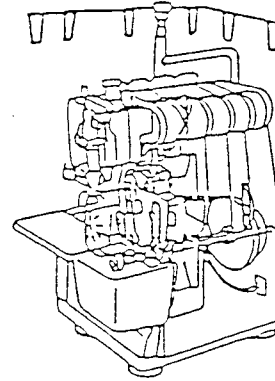
5



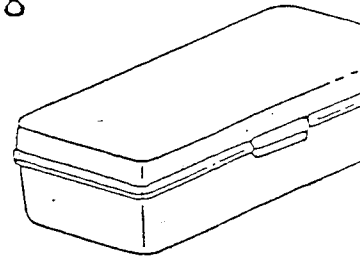
6



7

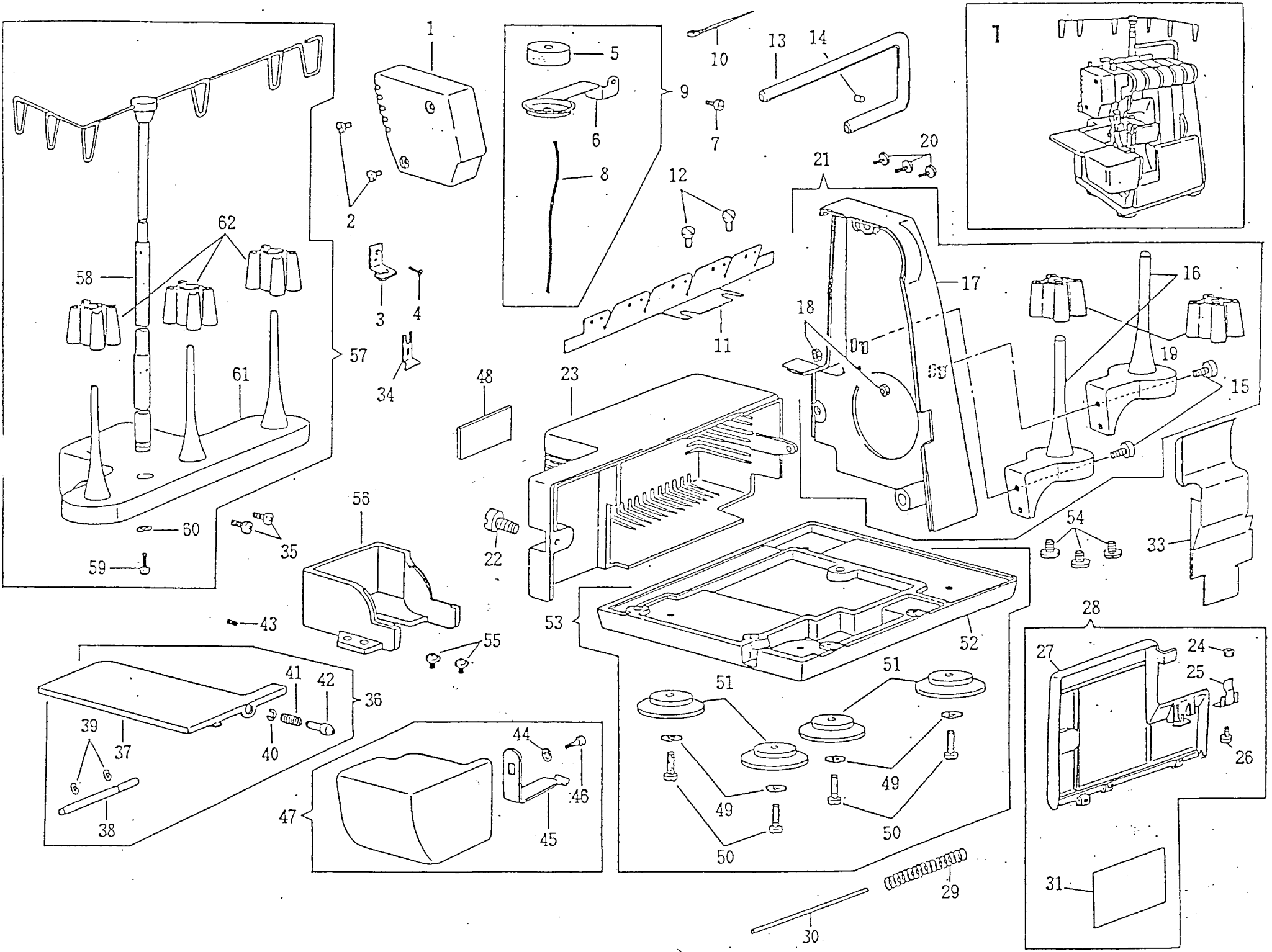


8

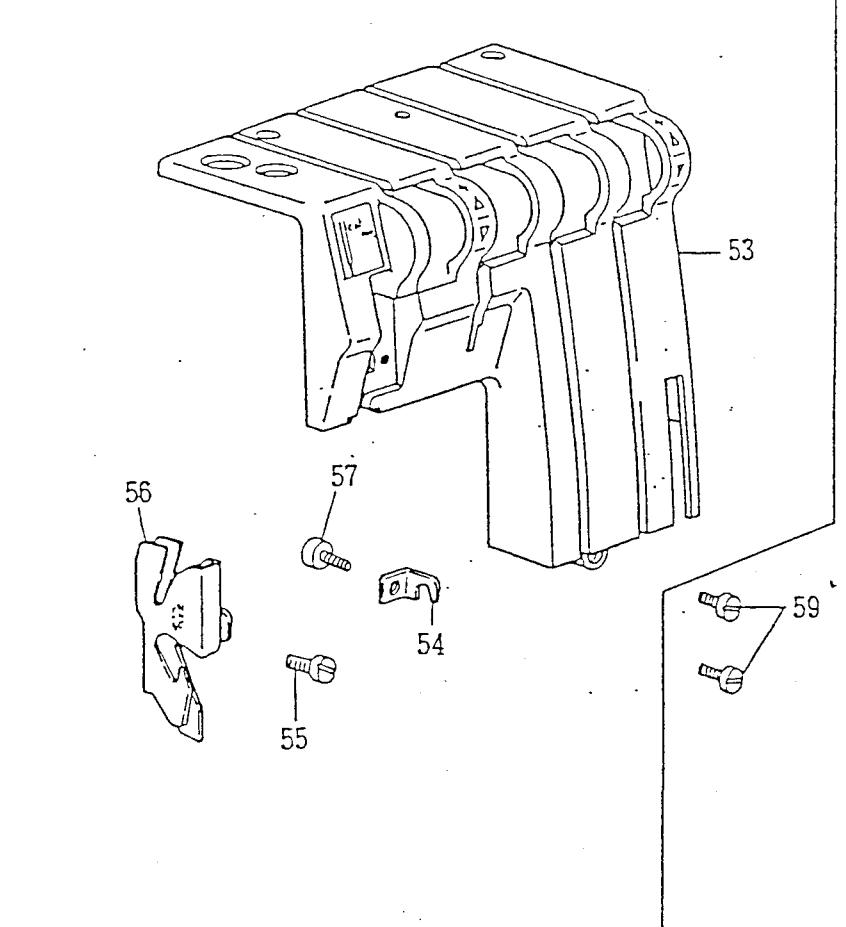
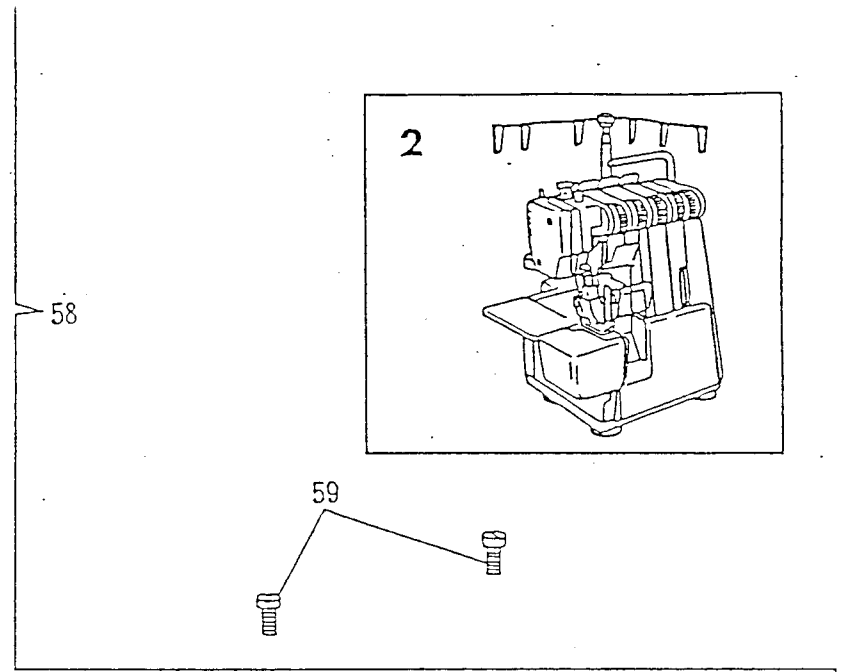
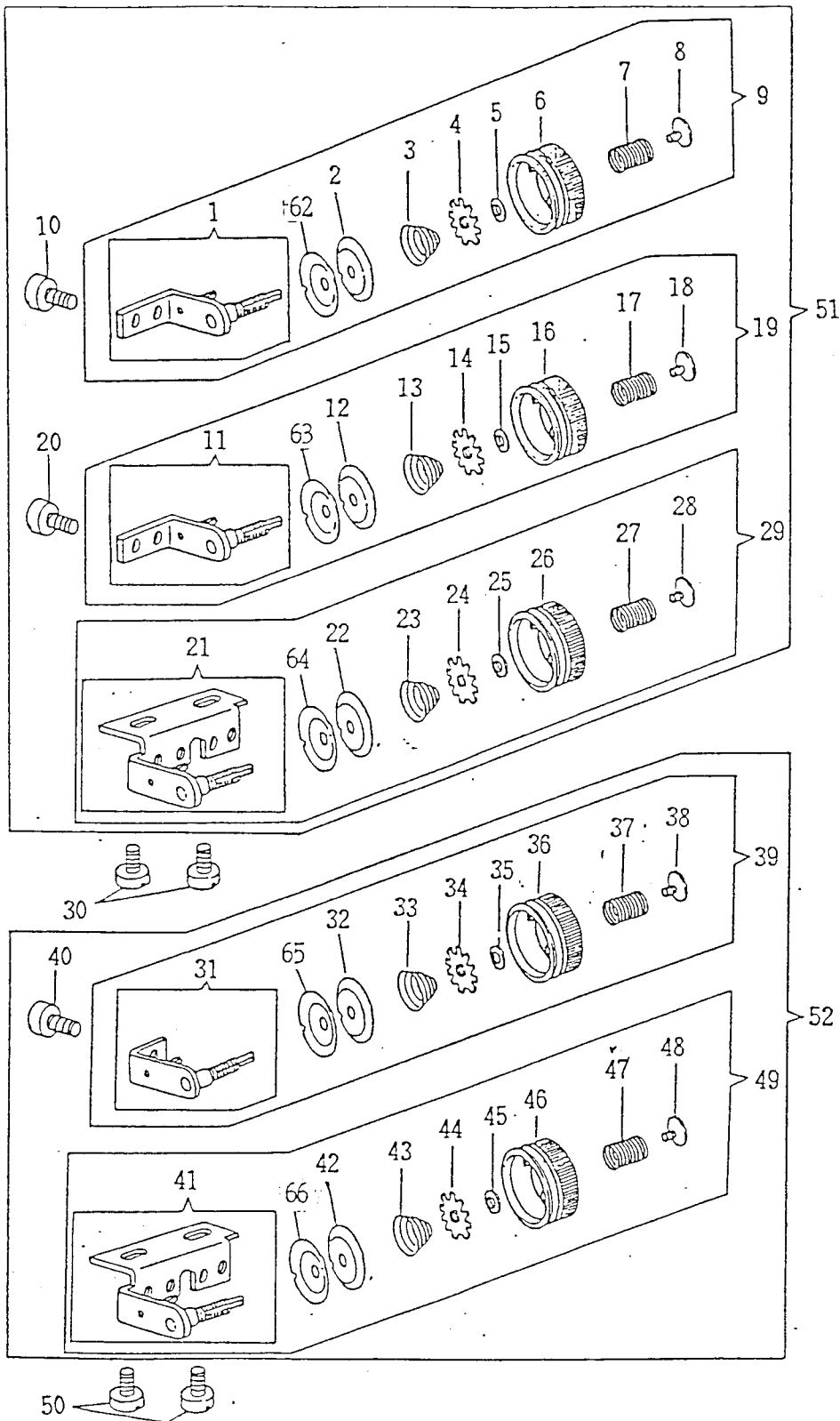


9

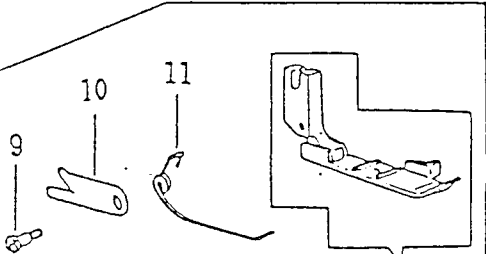
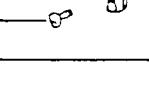
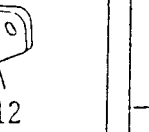
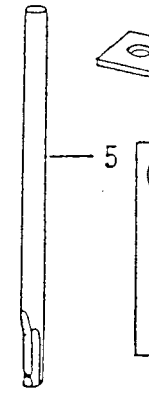
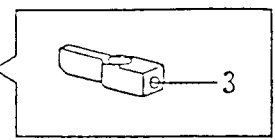
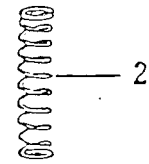
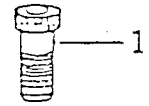
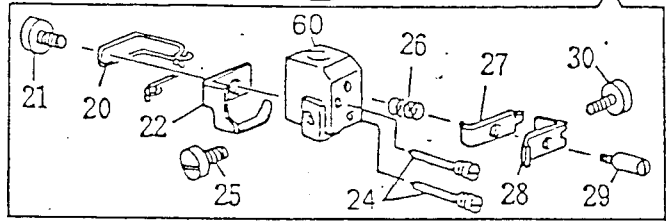
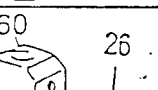
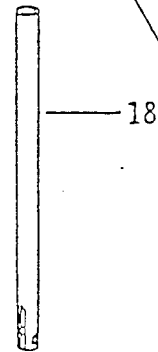
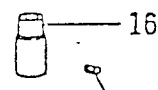
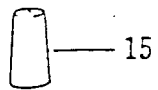
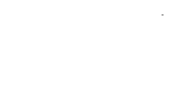
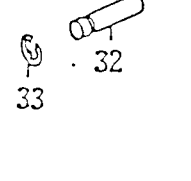
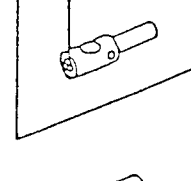
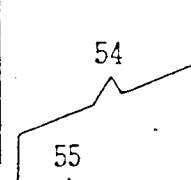
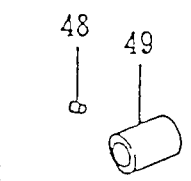
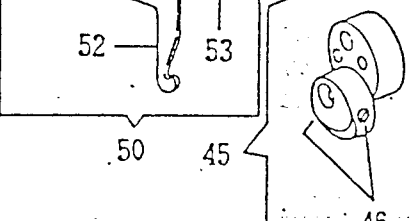
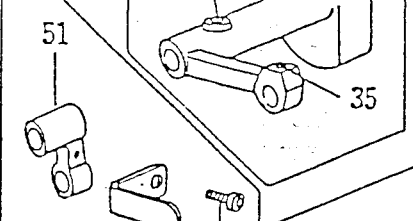
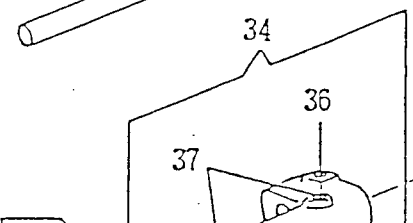
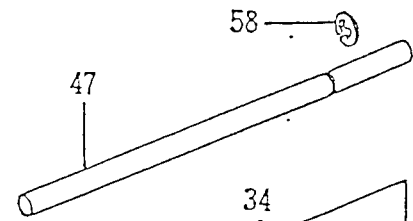
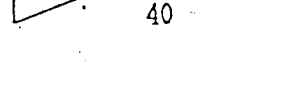
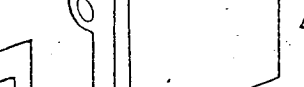
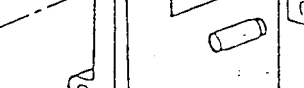
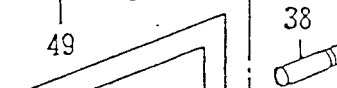
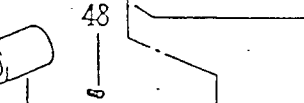
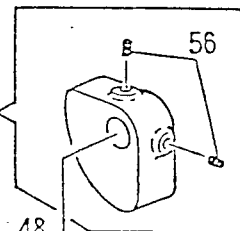
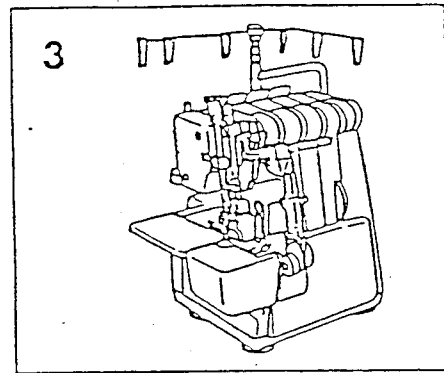
DIFFERENTIAL FEED



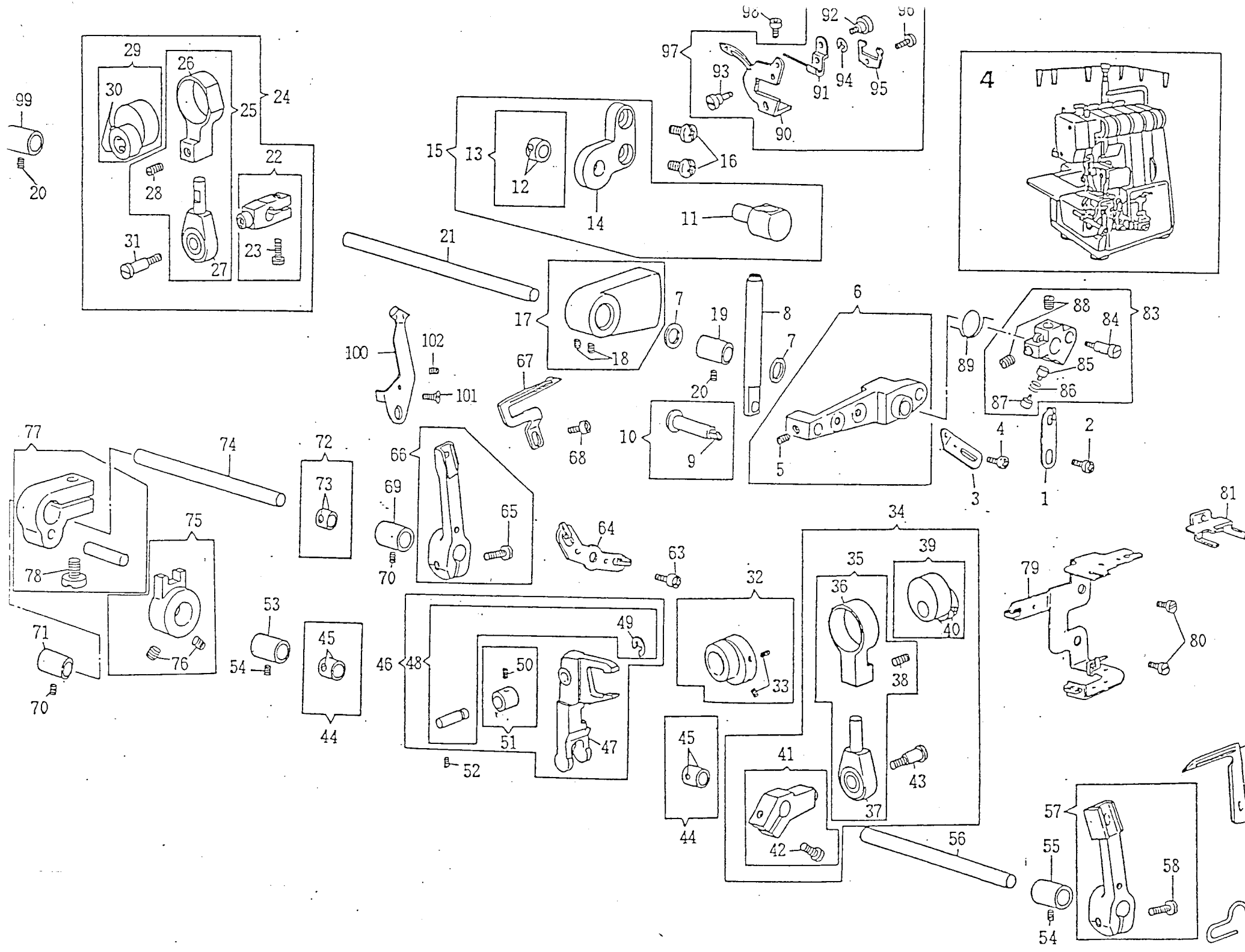
	PARTS NO.	DESCRIPTION		PARTS NO.	DESCRIPTION
1	412735-002	Light Cover	37	376780-902	Convertible Bed Plate (body)
2	544212-072	Light Cover Screw (2)	38	376785	Convertible Bed Plate Stud
3	412534	Needle Thread Guide	39	546623	Convertible Bed Plate Stud Retaining Ring (2)
4	544258	Needle Thread Guide Set Screw	40	546623	Convertible Bed Plate Latch Retaining Ring
5	410205	Felt	41	376786	Convertible Bed Plate Latch Spring
6	410204	Felt Support	42	381874-451	Convertible Bed Plate latch
7	544039	Felt Support Set Screw	43	544203-001	Convertible Bed Plate Stud Set Screw
8	543370	Oil Wick	44	543804-003	Cylinder Cover Spring Clamping Screw Washer
9	410203	Felt Support Comp.	45	412682	Cylinder Cover Spring
10	540899	Cord Retainer	46	412697	Cylinder Cover Spring Clamping Screw
11	376864	Thread Guide Plate	47	412706-002	Cylinder Cover Comp.
12	544212-001	Thrad Guide Plate Set Screw (2)	48	419116	Electrical Data Plate (for UL)
13	410202	Handle	49	543803-004	Machine Base Cushion Screw Washer (4)
14	544204-005	Handle Set Screw	50	544218-001	Machine Base Cushion Screw (4)
15	544212-004	Thread Unwinder (small) Screw (2)	51	410208	Machine Base Cushion (4)
16	376779-002	Thread Unwinder (small) (2)	52	370257-451	Machine Base
17	376868-451	Pulley Cover	53	370256-451	Machine Base Comp.
18	541165-001	Thread Unwinder (small) Screw Nut (2)	54	544214-005	Machine Base Set Screw (3)
19	546893	Spool Holder (2)	55	544270-001	Transformer Cover Screw (2)
20	544270-001	Pulley Cover Screw (3)	56	412736-002	Transformer Cover
21	376867-451	Pulley Cover Comp.	57	376865-451	Thread Unwinder Comp.
22	544270-001	Motor Cover Screw	58	376866	Thread Unwinder Thread Guide Rod Comp.
23	410248-003	Motor Cover	59	544212-003	Thread Unwinder Thread Guide Rod Screw
24	541165-001	Chip Guard Presser Spring Screw Nut	60	543805-003	Thread Unwinder Thread Guide Rod Screw Washer
25	376872	Chip Guard Presser Spring	61	410389-902	Thread Unwinder
26	544212-002	Chip Guard Presser Spring Screw	62	546893	Spool Holder (3)
27	376622-451	Looper Cover			
28	376621-451	Looper Cover Comp.			
29	376717	Looper Cover Hinge Pin Spring			
30	410239	Looper Cover Hinge Pin			
31	376552-002	Threading Chart			
33	376874-451	Chip Guard			
34	370264	Needle Thread Guide Auxiliary Plate			
35	544213-001	Thread Unwinder Comp. Screw (2)			
36	376781-002	Convertible Bed Plate Comp.			



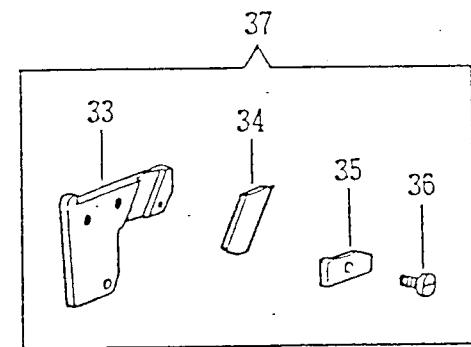
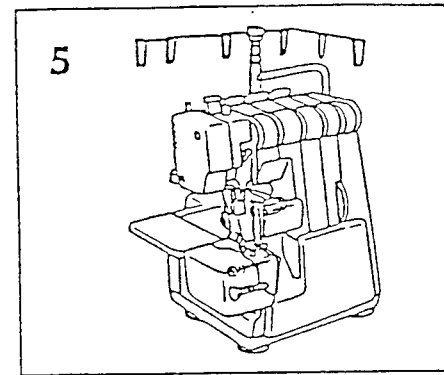
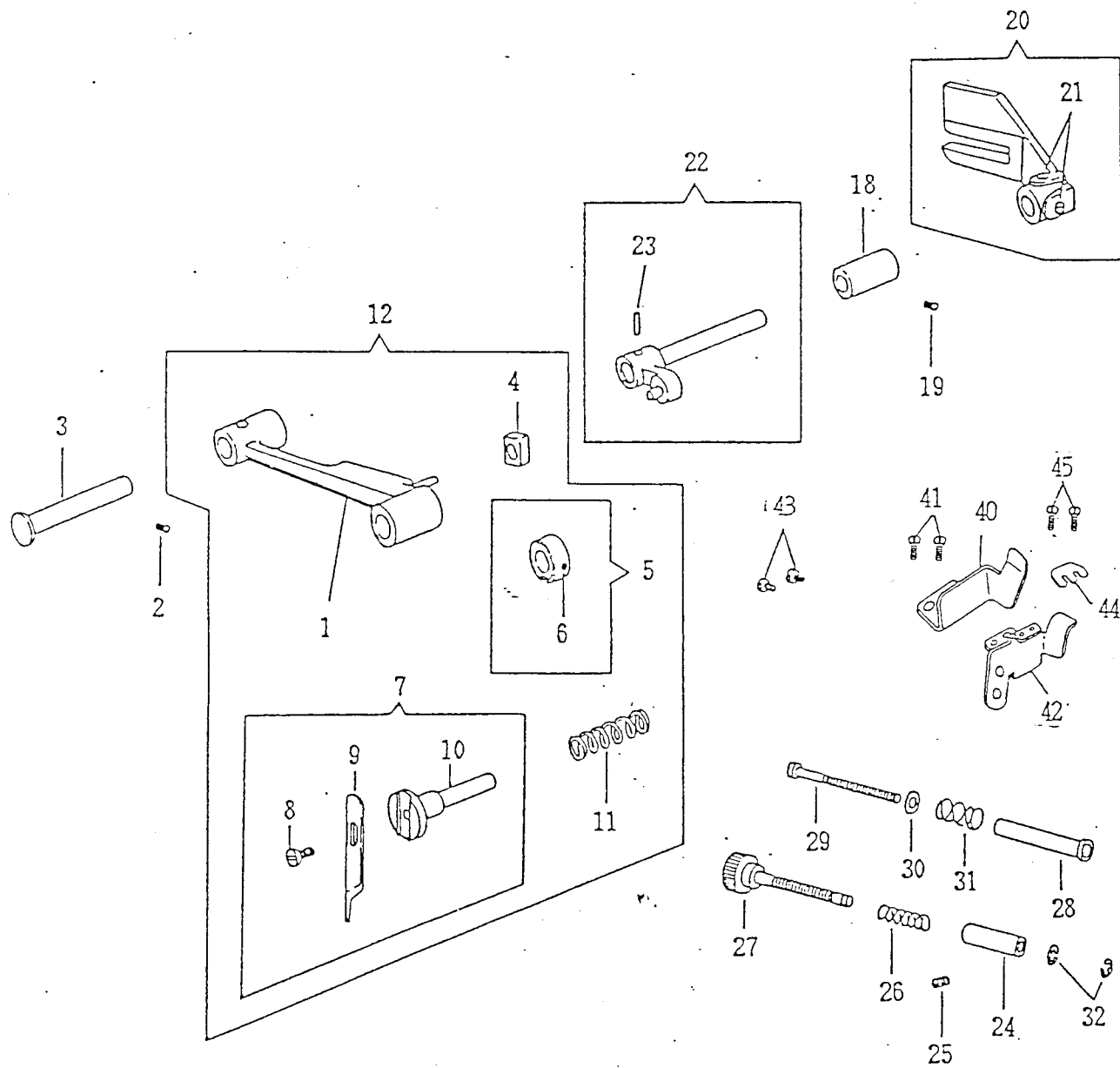
PARTS NO.		DESCRIPTION	PARTS NO.		DESCRIPTION
1	376818	One Turn Tension Dial Beacket (chain stitich looper) Comp.	35	412696	Tension Dial Washer
2	410226	Tension Disc	36	376582-454	Tension Dial (right needle) Comp.
3	376619	Tension Disc Spring	37	410230	Tension Dial Presser Spring
4	370289	Tension Disc Spring Nut	38	544265	Tension Dial Presser Spring Screw
5	412696	Tension Disc Washer	39	376591	One Turn Tension Dial Bracket (right needle) Comp.
6	376582-468	Tension Disc (chain stitch looper) Comp.	40	544212-001	One Turn Tension Dial Bracket (right needle) Comp. Se
7	410230	Tension Disc Presser Spring	41	376817	One Turn Tension Dial Bracket (left needle) Comp.
8	544265	Tension Disc Presser Spring Screw	42	410226	Tension Disc
9	376596	One Turn Tension Dial Beacket (chain stitich looper) Comp.	43	412680	Tension Disc Spring
10	544212-001	One Turn Tension Dial Beacket (chain stitich looper) Comp. Set Scre	44	370289	Tension Disc Spring Nut
11	376818	One Turn Tension Dial Beacket (left looper) Comp.	45	412696	Tension Disc Washer
12	410226	Tension Disc	46	376582-453	Tension Dial (left needle) Comp.
13	376620	Tension Disc Spring	47	410230	Tension Dial Presser Spring
14	370289	Tension Disc Spring Nut	48	544265	Tension Dial Presser Spring Screw
15	412696	Tension Dial Washer	49	376589	One Turn Tension Dial Bracket (left needle) Comp.
16	376582-452	Tension Dial (left looper) Comp.	50	412697-002	One Turn Tension Dial Bracket (tow needle) Comp. Set S
17	410230	Tension Dial Presser Spring	51	376602	One Turn Tension Dial Bracket (right looper ,left loop chain stitch looper) Comp.
18	544265	Tension Dial Presser Spring Screw	52	376601	One Turn Tension Dial Beacket (two Needle) Comp.
19	376595	One Turn Tension Dial Beacket (left looper) Comp.	53	376876-451	Front Cover Comp.
20	544212-001	One Turn Tension Dial Beacket (left looper) Comp. Set Screw	54	412531	Front Cover Thread Guide (small)
21	376817	One Turn Tension Dial Beacket (right looper) Comp.	55	412697	Front Cover Thread Guide Bracket Screw
22	410226	Tension Disc	56	376880	Front Cover Thread Guide Bracket
23	376619	Tension Disc Spring	57	412697-002	Front Cover Thread Guide (small) Screw
24	370289	Tension Disc Spring Nut	58	376610-001	Front Cover Comp.
25	412696	Tension Dial Washer	59	544212-073	Front Cover Screw (4)
26	376582-451	Tension Dial (right looper) Comp.			
27	410230	Tension Dial Presser Spring			
28	544265	Tension Dial Presser Spring Screw	62	376566	Tension Disc (with dent)
29	376593	One Turn Tension Dial Beacket (right looper) Comp.	63	376566	Tension Disc (with dent)
30	412697-002	One Turn Tension Dial Beacket (right looper, left looper & chain stitch looper) Comp. Set Screw (2)	64	376566	Tension Disc (with dent)
31	370245	One Turn Tension Dial Beacket (right needle) Comp.	65	376566	Tension Disc (with dent)
32	410226	Tension Disc	66	376566	Tension Disc (with dent)
33	412680	Tension Disc Spring			
34	370289	Tension Disc Spring Nut			



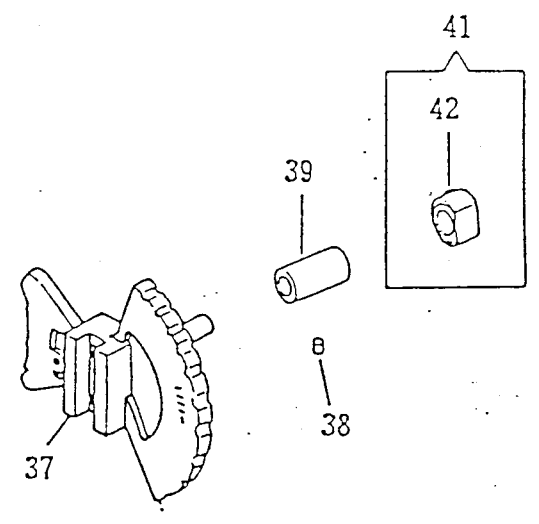
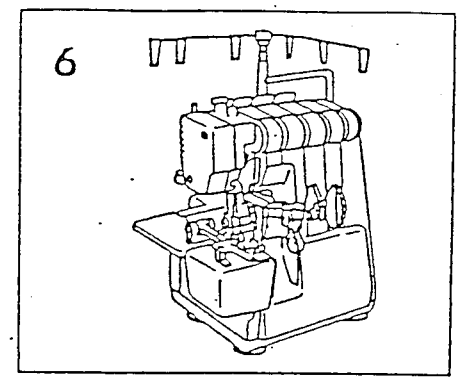
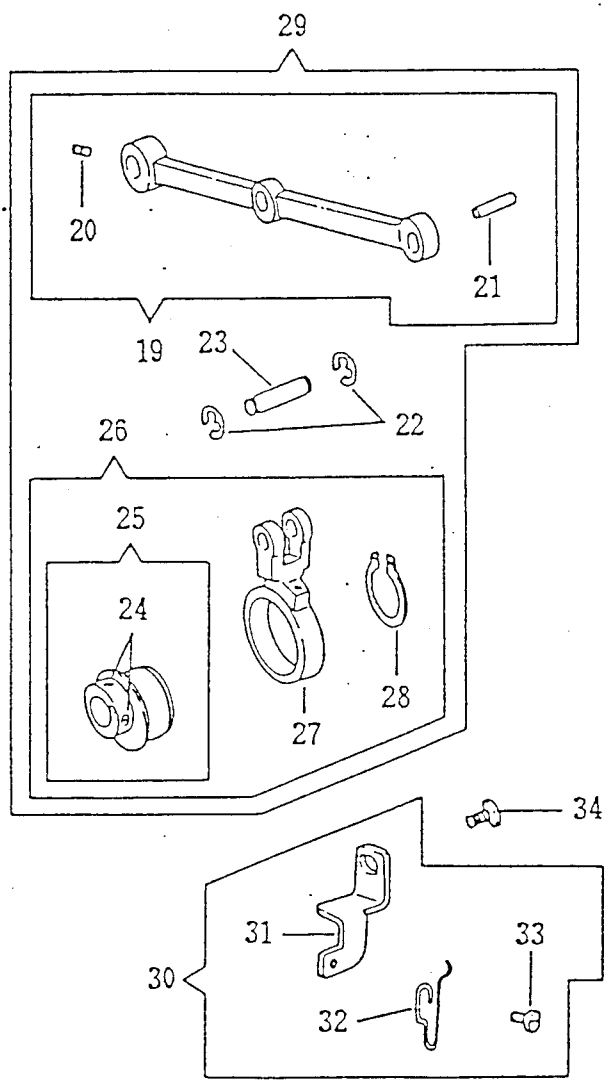
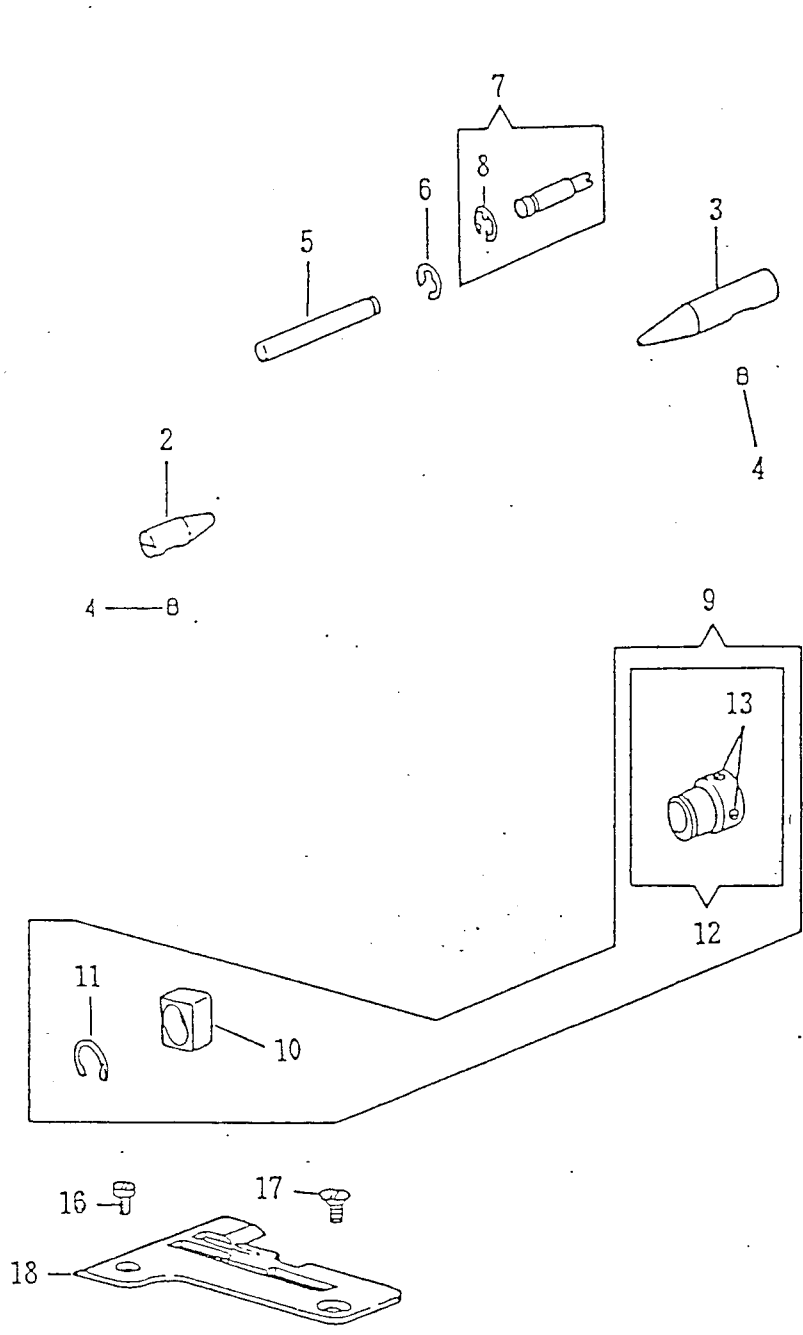
	PARTS NO.	DESCRIPTION		PARTS NO.	DESCRIPTION
1	544262-101	Presser Regulating Thumb Screw	37	544204-001	Needle Bar Crank Screw (2)
2	410355	Presser Bar Spring	38	410340	Needle Bar Crank Rod Pin
3	544204-001	Presser Bar Guide Bracket Screw	39	543801-006	Needle Bar Crank Rod Pin Retaining Ring
4	410352	Presser Bar Guide Bracket Comp.	40	370242	Needle Bar Crank Rod Comp.
5	410351	Presser Bar	41	370243	Needle Bar Crank Rod Comp.
6	504063-451	Presser Foot Screw	42	511030	Needle Bar Crank Rod Slide Block
7	376882	Presser Foot Comp.	43	543801-006	Needle Bar Crank Rod Slide Block Pin Retaining Ring
8	376883	Presser Foot Comp.			
9	544264	Presser Foot Screw Stud	45	410329	Needle Bar Eccentric Cam Comp.
10	410349	Thread Cutter	46	544204-002	Needle Bar Eccentric Cam Set Screw (2)
11	376565	Presser Foot Spring	47	412684	Arm Shaft
12	412787-100	Presser Bar Lifter	48	544204-001	Arm Shaft Bushing Set Screw (2)
13	544441	Presser Bar Lifter Screw Stud	49	410279	Arm Shaft Bushing (2)
14	N2054-42-14	Needle (2)	50	376887	Needle Bar Connecting Link Comp.
15	410322-100	Needle Bar Bushing (upper) Cap	51	410327	Needle Bar Connecting Link
16	410323	Needle Bar Bushing (upper)	52	376888	Striker
17	544204-001	Needle Bar Bushing Set Screw (2)	53	544211-051	Striker Screw
18	376844	Needle Bar	54	410325	Needle Bar Connecting Stud Comp.
19	410324	Needle Bar Bushing (lower)	55	544044	Needle Bar Connecting Stud Screw
20	370232	Needle Clamp Thread Guide	56	544204-001	Arm Shaft Balance Weight Set Screw (2)
21	374353	Needle Clamp Thread Guide Set Screw	57	370254	Arm Shaft Balance Weight Comp.
22	370266	Overedge Needle Thread Guide	58	543801-007	Arm Shaft Retaining Ring
23	374102	Needle Clamp Set Screw			
24	374365	Needle Set Screw (for overedge needle) (2)	60	376824	Needle Clamp
25	549324	Needle Set Screw (for chain stitch needle)			
26	370233	Needle Thread Pre-tension Spring	62	376567	Presser Bar Felt
27	370231	Needle Thread Pre-tension Plate			
28	370230	Needle Thread Pre-tension Bracket			
29	374352	Needle Thread Pre-tension Plate Stud Screw			
30	374353	Needle Thread Pre-tension Bracket Screw			
31	376523	Needle Clamp Comp.			
32	410340	Needle Bar Connecting Link Pin			
33	543801-006	Needle Bar Connecting Link Pin Retaining Ring			
34	412707	Needle Bar Crank Comp.			
35	544203-001	Needle Bar Connecting Link Pin Screw			
36	544203-001	Needle Bar Crank Rod Pin Screw			



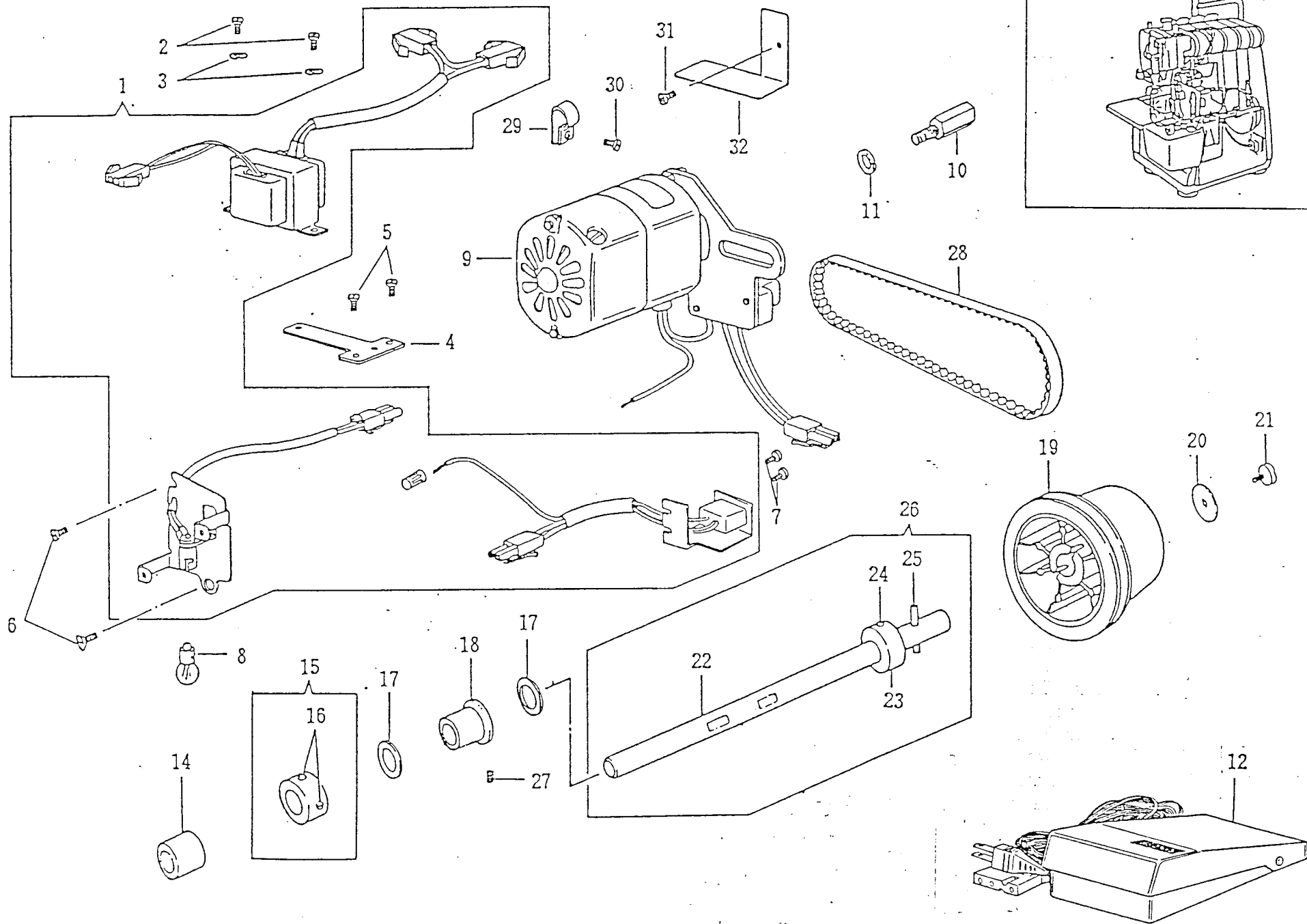
	PARTS NO.	DESCRIPTION		PARTS NO.	DESCRIPTION		PARTS NO.	DESCRIPTION
1	410455	Right Looper Thread Guide	38	544208-002	Chain Stitch Looper Cam Rod End Screw	70	544204-001	Left Looper Shaft Bushing Sc
2	544212-001	Right Looper Thread Guide Set Screw	39	376897	Chain Stitch Looper Cam Comp.	71	410280	Left Looper Shaft Bushing (H
3	370279	Left Looper Thread Guide	40	544203-001	Chain Stitch Looper Cam Set Screw (2)	72	410291	Left Looper Shaft Collar Co
4	544212-001	Left Looper Thread Guide Set Screw	41	376895	Chain Stitch Looper Shaft Lever Comp.	73	544203-001	Left Looper Shaft Collar Scr
5	544203-001	Right Looper Retainer Driving Lever Stud Set Screw	42	414750-001	Chain Stitch Looper Shaft Lever Screw	74	376900	Left Looper Shaft
6	376892	Right Looper Retainer Driving Lever (back) Comp.	43	374136	Chain Stitch Looper Cam Rod End Screw Stud	75	370201	Left Looper Driving Forked L
7	370247	Thrust Washer (2)	44	410291	Chain Stitch Looper Shaft collar Comp. (2)	76	544207-011	Left Looper Driving Forked L (2)
8	410435	Right Looper Retainer	45	544203-001	Chain Stitch Looper Shaft Collar Set Screw (4)	77	370203	Left Looper Driving Arm Comp
9	410422	Right Looper Retainer Driving Lever Stud Oil Wick	46	412564	Chain Stitch Looper Avoid Cam Forked Lever Comp.	78	544212-054	Left Looper Driving Arm Scre
10	410449	Right Looper Retainer Driving Lever Stud Comp.	47	412565	Chain Stitch Looper Avoid Cam Forked Lever	79	376800-002	Looper Thread Guide
11	410429	Right Looper Retainer Guide	48	412566	Chain Stitch Looper Avoid Cam Forked Lever Stud Comp.	80	544212-001	Looper Thread Guide Screw (2)
12	544203-001	Right Looper Retainer Guide Collar Screw (2)	49	543801-006	Chain Stitch Looper Avoid Cam Forked Lever Stud Retaining Ring	81	370225	Chain Stitch Looper Thread G
13	410432	Right Looper Retainer Guide Collar Comp	50	504007	Chain Stitch Looper Avoid Cam Forked Lever Stud Collar Screw	82	544212-001	Chain Stitch Looper Thread G Screw
14	370272	Right Looper Retainer Guide Bracket	51	410409	Chain Stitch Looper Avoid Cam Forked Lever Stud Collar Comp.	83	376890	Right Looper Retainer Drivi (front) Comp.
15	370275	Right Looper Retainer Guide Bracket Comp.	52	544204-001	Chain Stitch Looper Avoid Cam Forked Lever Stud Screw	84	544418	Right Looper Retainer Drivi Lock Screw
16	544213-002	Right Looper Retainer Guide Bracket Screw (2)	53	410280	Chain Stitch Looper Shaft Bushing(back)	85	410495	Right Looper Retainer Drivi Lock Screw Pin
17	370253	Right Looper Shaft Balance Weight Comp.	54	544204-001	Chain Stitch Looper Shaft Bushing Set Screw (2)	86	412546	Right Looper Retainer Drivi Lock Screw Pin Spring
18	544204-001	Right Looper Shaft Balance Weight Set Screw (2)	55	410279	Chain Stitch Looper Shaft Bushing (front)	87	544419	Right Looper Retainer Drivi Lock Screw Pin Spring Screw
19	410279	Right Looper Shaft Bushing (front)	56	376899	Chain Stitch Looper Shaft	88	544204-001	Right Looper Retainer Drivi (front) Screw (2)
20	544204-001	Right Looper Shaft Bushing Set Screw(2)	57	412551	Chain Stitch Looper Holder Comp.	89	370234	Right Looper Retainer Drivi (back) Return Spring
21	376889	Right Looper Sgaft	58	414750-001	Chain Stitch Looper Holder Screw	90	370236	Right Looper
22	412796	Right Looper Shaft Lever Comp.	59	412553	Chain Stitch Looper	91	370237	Right Looper Horn Bracket Co
23	414750-001	Right Looper Shaft Lever Screw	60	549364	Chain Stitch Looper Screw	92	374354	Right Looper Horn Bracket Hi
24	376707	Right Looper Cam Rod Comp.	61	412554	Chain Stitch Looper Holder Thread Guide	93	370240	Right Looper Horn Bracket Ec
25	412793	Right Looper Cam Rod Comp.	62	544212-001	Chain Stitch Looper Holder Thread Guide Screw	94	543801-001	Right Looper Horn Bracket Ec Retaining Ring
26	412794	Right Looper Cam Rod	63	544212-001	Left Looper Holder Thread Guide Screw	95	370241	Right Looper Horn Bracket St
27	412795	Right Looper Cam Rod End	64	370208	Left Looper Holder Thread Guide	96	374355	Right Looper Horn Bracket St
28	544208-002	Right Looper Cam Rod End Set Screw	65	414750-001	Left Looper Holder Screw	97	370235	Right Looper Comp.
29	376701	Right Looper Cam Comp.	66	370206-001	Left Looper Holder Comp.	98	544413	Right Looper Screw
30	544204-001	Right Looper Cam Set Screw (2)	67	410452	Left Looper	99	410280	Right Looper Shaft Bushing (1
31	374136	Right Looper Cam Rod End Screw Stud	68	544211-052	Left Looper Screw	100	376564	Needle Guard for Left Looper
32	412569	Chain Stitch Looper Avoid Cam Comp.	69	410279	Left Looper Shaft Bushing (front)	101	544258	Needle Guard for Left Looper
33	544203-001	Chain Stitch Looper Avoid Cam Screw(2)				102	374392	Needle Guard for Left Looper Screw
34	376894	Chain Stitch Looper Cam Rod Comp.						
35	412793	Chain Stitch Looper Cam Rod Comp.						
36	412794	Chain Stitch Looper Cam Rod						
37	412795	Chain Stitch Looper Cam Rod End						



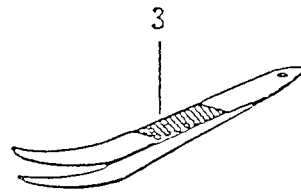
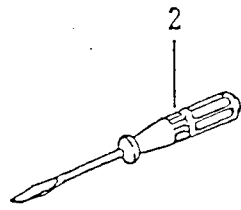
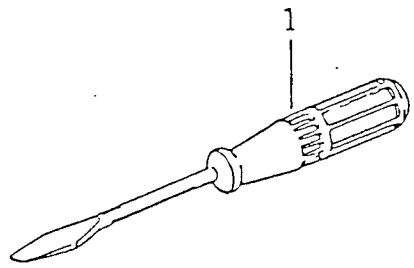
	PARTS NO.	DESCRIPTION		PARTS NO.	DESCRIPTION
1	412582-452	Knife (movable) Lever Comp.	37	370209	Knife (stationary) Comp.
2	544204-001	Knife (movable) Lever Hinge Stud Screw			
3	410310	Knife (movable) Lever Hinge Stud			
4	540254	Knife (movable) Lever Slide Block	40	376625	Needle Guard for Overedge Needle (front)
5	410308	Knife (movable) Holder Collar Comp.	41	545180	Needle Guard for Overedge Needle (front) Screw (2)
6	544203-001	Knife (movable) Holder Collar Set Screw	42	376623	Needle Gurad for Chain Needle
7	412584	Knife (movable) Comp.	43	544211-051	Needle Gurad for Chain Needle Screw (2)
8	544407	Knife (movable) Screw	44	376624	Needle Gurad for Chain Needle (front)
9	412585	Knife (movable)	45	549095	Needle Gurad for Chain Needle (front) Screw (2)
10	412586	Knife (movable) Holder			
11	410307	Knife (movable) Holder Spring			
12	412581-452	Knife (movable) Lever Comp.			
18	410316	Knife (movable) Forked Lever Stud Bushing			
19	544204-001	Knife (movable) Forked Lever Stud Bushing Set Screw			
20	370255	Knife (movable) Forked Lever Comp.			
21	544204-001	Knife (movable) Forked Lever Screw (2)			
22	410312-013	Knife (movable) Lever Driving Arm Comp.			
23	543809-002	Knife (movable) Lever Driving Arm Spring Pin			
24	412741	Knife (stationary) Holder Adjust Screw Bushing			
25	544207-002	Knife (stationary) Holder Adjust Screw Bushing Screw			
26	381877	Knife (stationary) Holder Adjust Screw Spring			
27	412740	Knife (stationary) Holder Adjust Screw Comp.			
28	412773	Knife (stationary) Holder Stud			
29	374104	Knife (stationary) Holder Stud Screw			
30	541217	Knife (stationary) Holder Stud Screw Washer			
31	412774	Knife (stationary) Holder Stud Spring			
32	547412	Knife (stationary) Holder Adjust Screw Retaining Ring (2)			
33	370210	Knife (stationary) Holder			
34	412749	Knife (stationary)			
35	410297	Knife (stationary) Clamping Plate			
36	544256	Knife (stationary) Clamping Plate Screw			



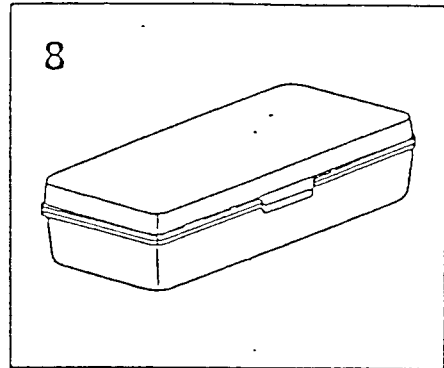
PARTS NO.		DESCRIPTION	PARTS NO.		DESCRIPTION
2	410380	Feed Crank Pin Center (small)	37	412788-003	Feed Regulator Dial Comp.
3	410379	Feed Crank Pin Center (large)	38	544204-001	Feed Regulator Dial Stud Bushing Set Screw
4	544204-001	Feed Crank Pin Center Screw (2)	39	410370	Feed Regulator Dial Stud Bushing
5	410381	Feed Crank Pin	40	540254	Feed Regulator Slide Block
6	543801-006	Feed Crank Pin Retaining Ring	41	410409	Feed Regulator Dial Stud Collar Comp.
7	410382	Feed Crank Eccentric Pin Comp.	42	504007	Feed Regulator Dial Stud Collar Screw
8	543801-007	Feed Crank Eccentric Pin Retaining Ring			
9	410384	Feed Lifting Cam Comp.			
10	410387	Feed Lifting Cam Slide Block			
11	543818-010	Feed Lifting Cam Slide Block Retaining Ring			
12	410385	Feed Lifting Cam Comp.			
13	544204-001	Feed Lifting Cam Set Screw (2)			
16	412694	Throat Plate Position Screw			
17	504050-851	Throat Plate Screw			
18	370278	Throat Plate			
19	410364	Feed Regulator Crank Rod Comp.			
20	544204-001	Feed Crank Eccentric Pin Screw			
21	410373	Feed Regulator Slide Block Stud			
22	543801-006	Feed Crank Rod Pin Retaining Ring (2)			
23	410363	Feed Crank Rod Pin			
24	544203-001	Feed Cam Screw (2)			
25	410360	Feed Cam Comp.			
26	410359	Feed Cam Comp.			
27	410362	Feed Crank Rod			
28	543802-014	Feed Cam Retaining Ring			
29	410393	Feed Regulator Crank Rod Comp.			
30	410375	Feed Regulator Dial Spring Bracket Comp.			
31	410376	Feed Regulator Dial Spring Bracket			
32	410377	Feed Regulator Dial Spring			
33	544212-001	Feed Regulator Dial Spring Screw			
34	544213-001	Feed Regulator Dial Spring Bracket Screw			



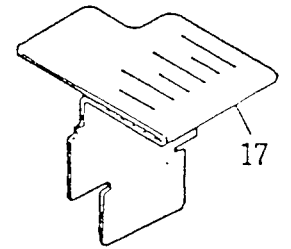
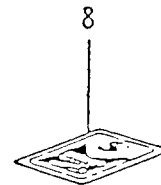
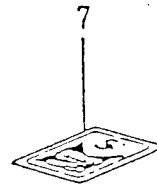
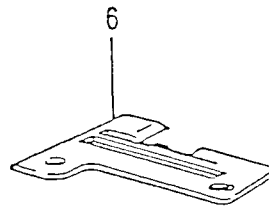
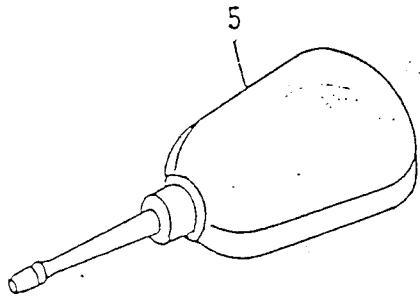
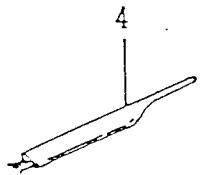
	PARTS NO.	DESCRIPTION		PARTS NO.	DESCRIPTION
1	419452	Switch, Transformer, Lamp Holder Comp.			
2	549324	Transformer Screw (2)			
3	543805-002	Transformer Screw Spring Washer (2)			
4	412752	Transformer Bracket			
5	544212-001	Transformer Bracket Screw (2)			
6	544212-001	Lamp Holder Bracket Screw (2)			
7	544212-001	Switch Bracket Screw (2)			
8	419088	Lamp			
9	419114-002	Motor Comp.			
10	544259	Motor Bracket Clamping Screw			
11	543805-005	Motor Bracket Clamping Screw Washer			
12	419451-001	Controller Comp.			
14	410252	Rotating Shaft Bushing (left)			
15	410470	Rotating Shaft Collar Comp.			
16	544204-001	Rotating Shaft Collar Set Screw (2)			
17	408730	Rotating Shaft Thrust Washer (2)			
18	410253	Rotating Shaft Bushing (right)			
19	410268-002	Pulley			
20	543848	Pulley Set Screw Washer			
21	544270-001	Pulley Set Screw			
22	410257	Rotating Shaft			
23	410469	Rotating Shaft Collar (fixed)			
24	543808-004	Rotating Shaft Collar Positioning Pin			
25	543809-004	Rotating Shaft Spring Pin			
26	410256	Rotating Shaft Comp.			
27	544204-001	Rotating Shaft Bushing (right) Set Screw			
28	412721	Motor Belt			
29	542766-001	Cord Holder			
30	544212-001	Cord Holder Screw			
31	544212-001	Cord Clamping Plate Screw			
32	412737	Cord Clamping Plate			



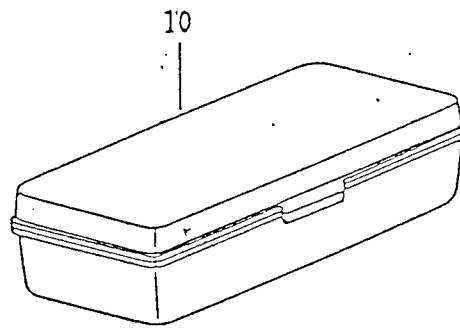
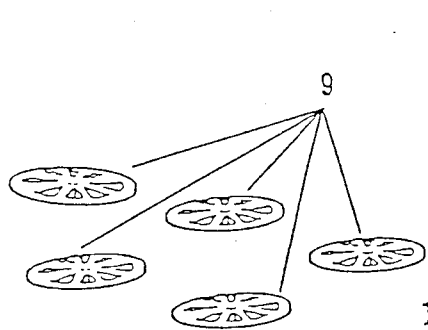
16



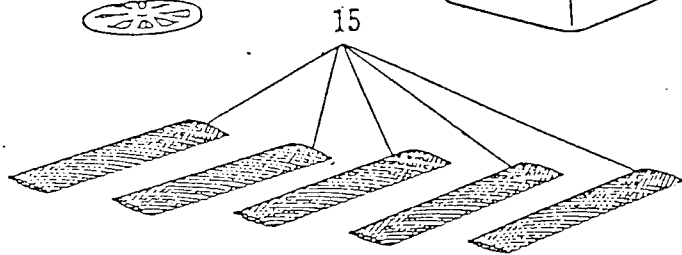
8



17



10



15



11



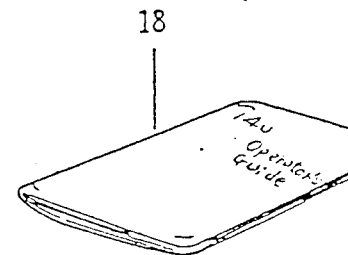
12



13



14

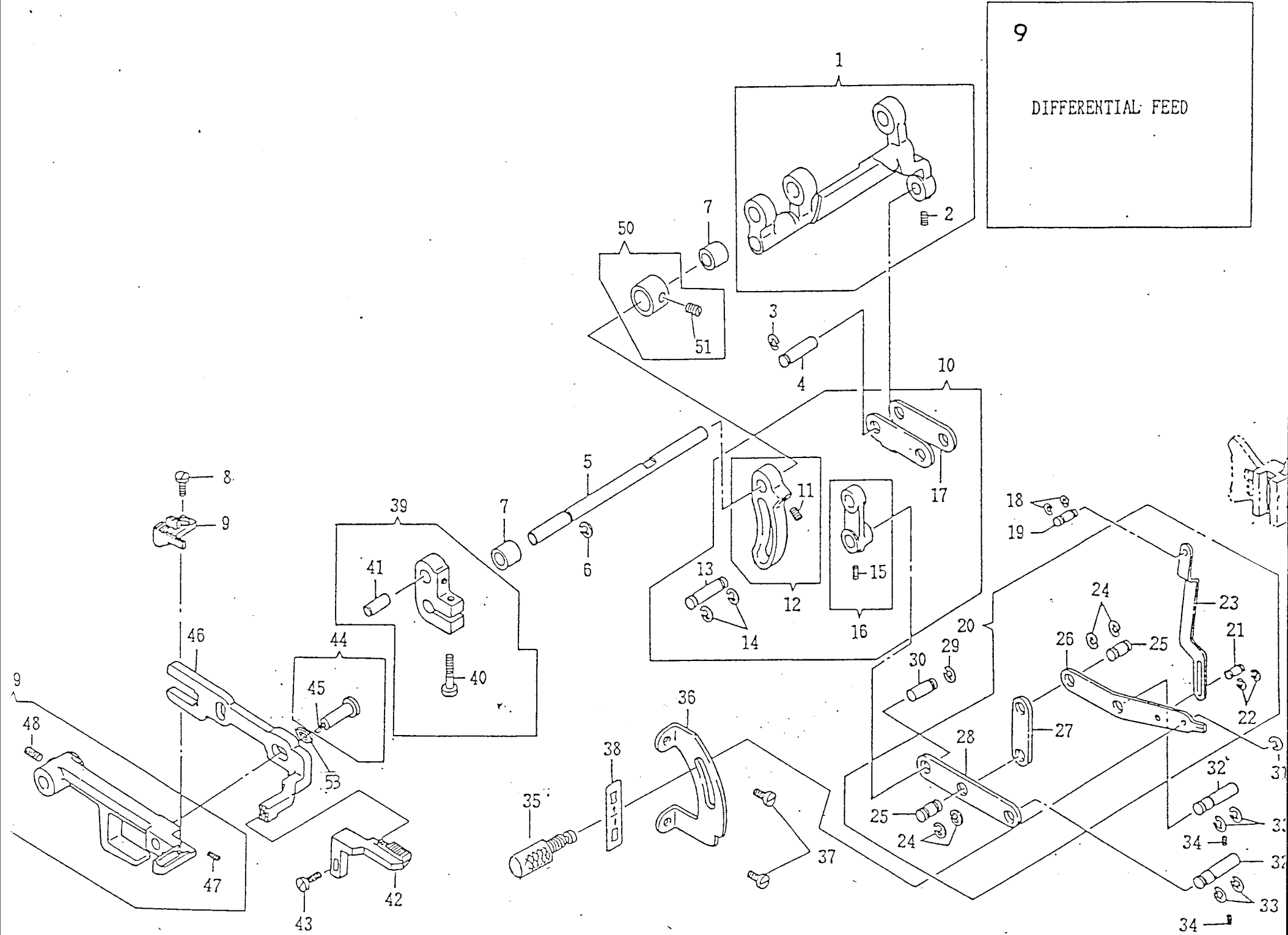


18

724
Operator's
Guide

	PARTS NO.	DESCRIPTION		PARTS NO.	DESCRIPTION
1	541513	Driver (large)			
2	541514	Driver (small)			
3	376638	Tweezers			
4	546358	Brush			
5	541574	Oiler			
6	370218	Throat Plate for Rolled Hem Comp.			
7	N2054-42-10	Needle (#10) (2)			
8	N2054-42-14	Needle (#14) (3)			
9	546894	Thread Unwinder Spool Cap (5)			
10	543150-002	Accessory Box			
11	412762	Tape Guide			
12	412746	Edge Guide			
13	543803-003	Edge Guide Screw Washer			
14	374105	Edge Guide Screw			
15	543131	Thread Unwinder Spool Net (5)			
16	412658-020	Accessory Set			
17	412520	Chain Stitch Seam Width Gage			
18	379206-002	Operator's Guide			

9
DIFFERENTIAL FEED



PARTS NO.		DESCRIPTION	PARTS NO.		DESCRIPTION
1	412618	Differential Feed Crank Comp.	37	544212-001	Differential Feed Adjusting Lever Guide Plate Screw (2)
2	544204-001	Differential Feed Crank Stud Screw	38	412655-902	Differential Feed Sticker
3	543801-006	Differential Feed Crank Stud Retaining Ring	39	370220	Differential Feed Arm Comp.
4	412620	Differential Feed Crank Stud	40	544212-055	Differential Feed Arm Clamping Screw
5	412628	Differential Feed Shaft	41	412634	Auxiliary Feed Bar Driving Pin
6	543801-006	Differential Feed Shaft Retaining Ring	42	370224	Auxiliary Feed Dog
7	410324	Differential Feed Shaft Bushing (2)	43	544490	Auxiliary Feed Dog Screw
8	544103	Main Feed Dog Screw	44	410266	Auxiliary Feed Bar Guide Pin Comp.
9	370223	Main Feed Dog	45	410422	Auxiliary Feed Bar Guide Pin Wick
10	412621	Differential Feed Crank Rod Comp.	46	412648	Auxiliary Feed Bar
11	544204-001	Differential Feed Adjusting Arm Screw	47	544203-001	Auxiliary Feed Bar Guide Pin Screw
12	412623	Differential Feed Adjusting Arm Comp.	48	544204-001	Feed Crank Pin Screw
13	412627	Differential Feed Crank Rod Stud	49	412646	Main Feed Bar Comp.
14	543801-006	Differential Feed Crank Rod Stud Retaining Ring (2)	50	375390	Differential Feed Shaft Collar Comp.
15	544203-001	Differential Feed Adjusting Lever Arm Pin Screw	51	544203-001	Differential Feed Shaft Collar Screw
16	412625	Differential Feed Adjusting Lever Arm Comp.			
17	412622	Differential Feed Crank Rod	53	543531	Auxiliary Feed Bar Guide Pin Thrust Washer
18	543801-002	Differential Feed Safety Plate Stud(upper)Retaining Ring (2)			
19	412643	Differential Feed Safety Plate Stud (upper)			
20	412636	Differential Feed Adjusting Lever Comp.			
21	412642	Differential Feed Safety Plate Stud (lower)			
22	543801-002	Differential Feed Safety Plate Stud(lower)Retaining Ring (2)			
23	412641	Differential Feed Safety Plate			
24	543801-006	Differential Feed Adjusting Lever Pin Retaining Ring (4)			
25	412638	Differential Feed Adjusting Lever Pin (2)			
26	412640	Differential Feed Adjusting Lever (upper)			
27	412639	Differential Feed Adjusting Lever Link			
28	412637	Differential Feed Adjusting Lever (lower)			
29	543801-006	Differential Feed Adjusting Lever Arm pin Retaining Ring			
30	412635	Differential Feed Adjusting Lever Arm Pin			
31	543860-003	Differential Feed Knob Screw Retaining Ring			
32	412644	Differential Feed Adjusting Lever Stud (2)			
33	543801-006	Differential Feed Adjusting Lever Stud Retaining Ring (4)			
34	544203-001	Differential Feed Adjusting Lever Stud Screw (2)			
35	376784	Differential Feed Knob Screw			
36	412645	Differential Feed Adjusting Lever Guide Plate			

