

**SINGER**  
**14U13A,23A,53A**

Form U3601 (485)  
Part No. 379006-002

# PARTS LIST

# SINGER<sup>\*</sup>

**14U13A**

**14U23A**

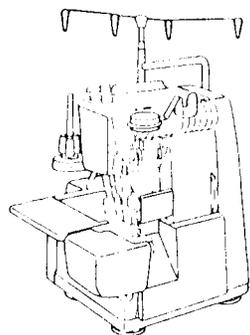
**14U53A**

\* A Trademark of THE SINGER COMPANY  
Copyright ©1985 THE SINGER COMPANY  
All Rights Reserved Throughout World

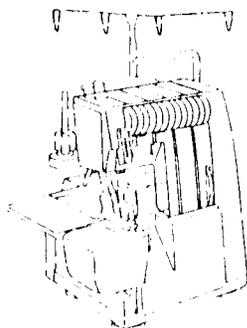
MADE IN JAPAN

INDEX

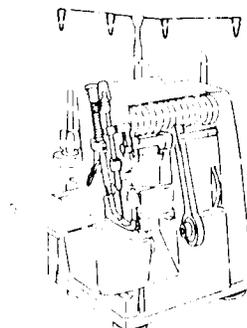
1



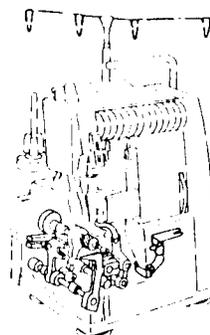
2



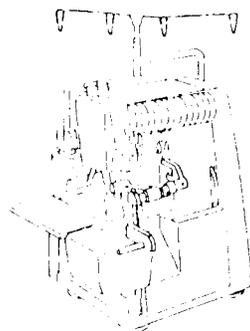
3



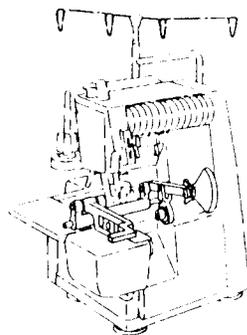
4



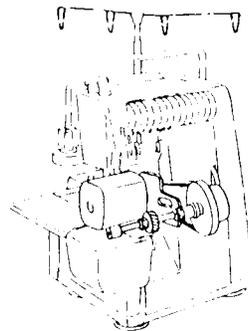
5



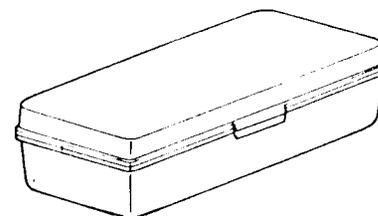
6



7



8

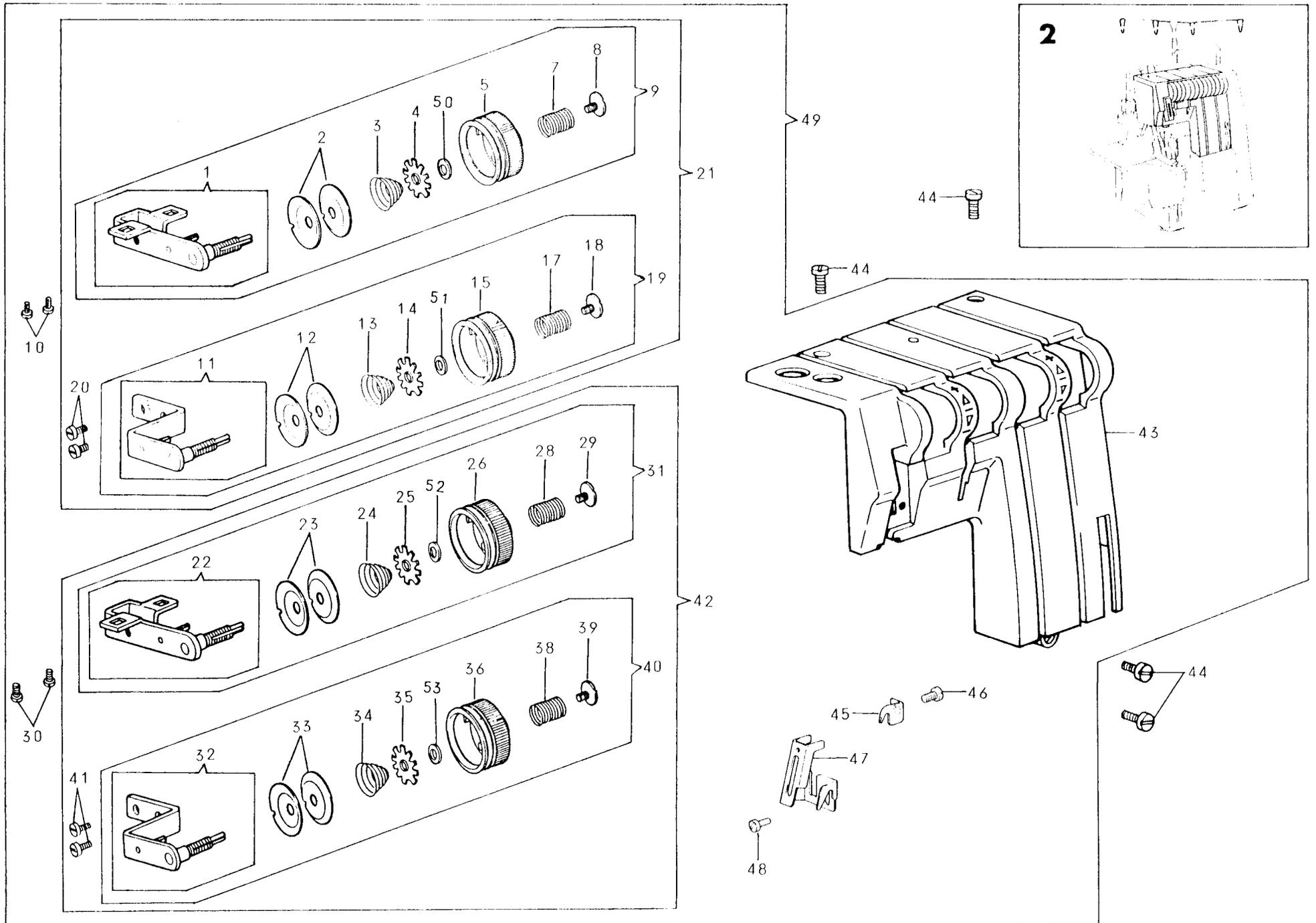


9

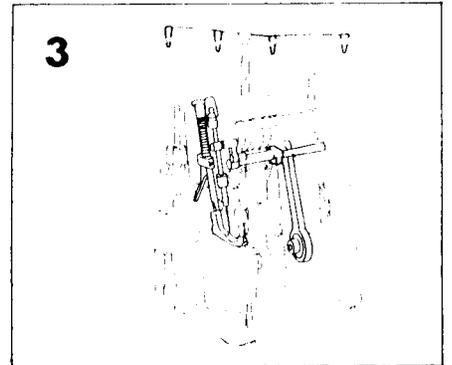
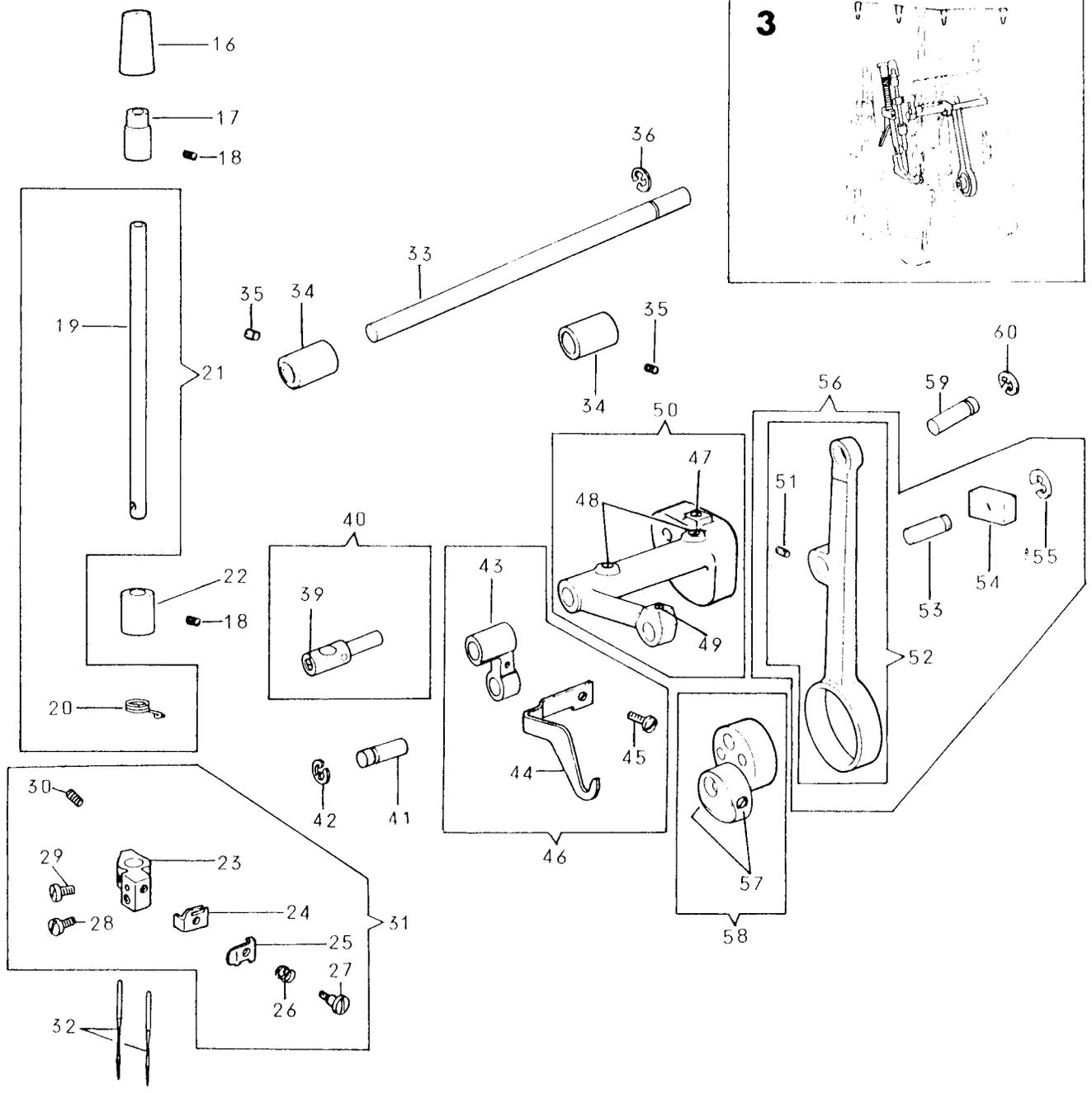
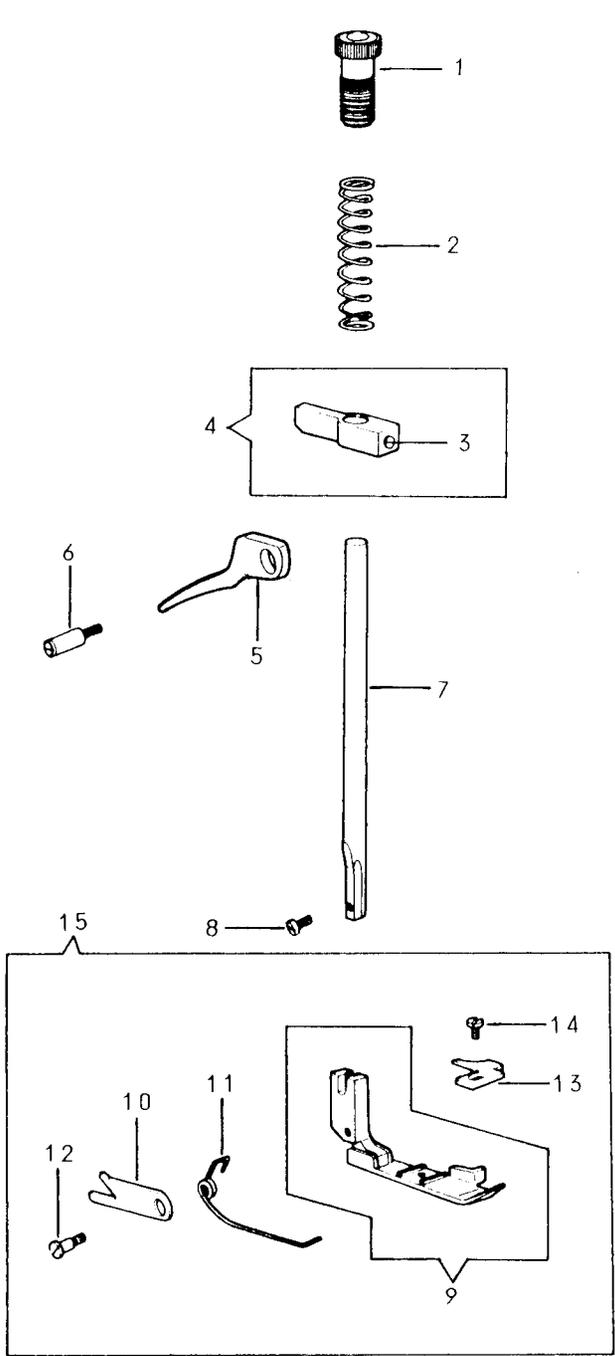
PARTS UNIQUE TO 14U23



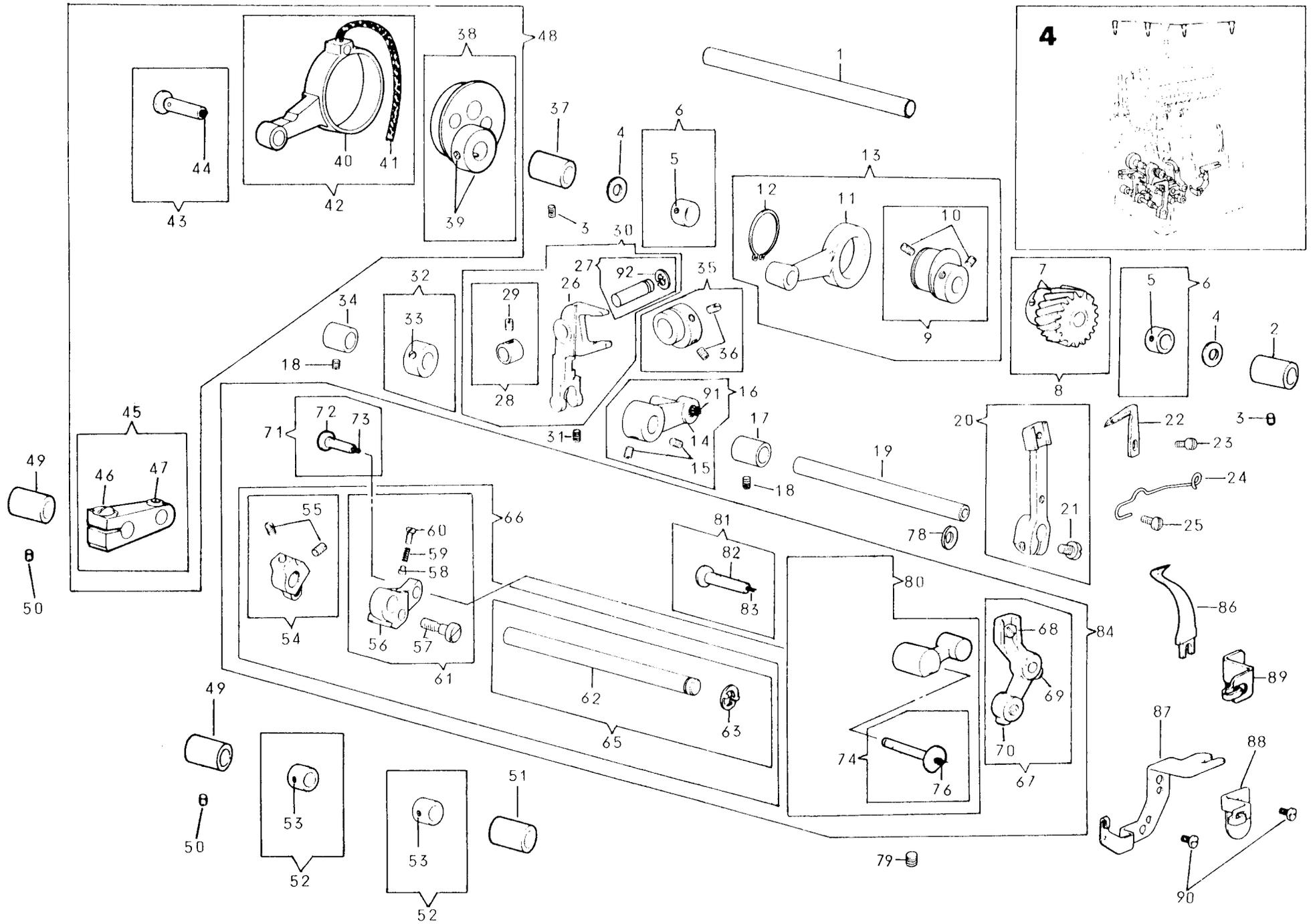
PART NO.	DESCRIPTION	PART NO.	DESCRIPTION
1 410241	Face Plate	50 544420	Machine Base Cushion Screw (4)
2 544212-072	Face Plate Screw (2)	51 544214-005	Machine Base Screw (3)
3 412534	Needle Thread Guide	52 410206	Machine Base
4 544258	Needle Thread Guide Screw	53 408792	Pulley Cover Screw Spacer (2)
5 410205	Felt	54 412593	Chip Guard Presser Spring (for 13A/53A)
6 410204	Felt Support	55 544212-001	Chip Guard Presser Spring Screw (for 13A/53A)
7 544039	Felt Support Set Screw	56 412532-006	Looper Cover Complete (for 13A)
8 543370	Oil Wick	56 412532-009	Looper Cover Complete (for 53A)
9 410203	Felt Support	57 412535-002	Chip Guard (for 13A)
11 410209	Thread Guide Plate	57 412535-001	Chip Guard (for 53A)
12 544212-001	Thread Guide Plate Set Screw (2)	58 544212-001	Looper Cover Screw (2)
13 410202	Handle	59 540899	Cord Retainer
14 544204-005	Handle Set Screw (2)		
15 544212-073	Thread Unwinder (small) Screw		
16 412515	Thread Unwinder (small) Complete		
17 412513	Pulley Cover		
18 541165-001	Thread Unwinder (small) Screw Nut		
19 546893	Spool Holder		
20 412512	Pulley Cover Complete		
21 543803-053	Thread Unwinder (small) Screw Washer		
22 544270-001	Pulley Cover Screw (2)		
23 544271	Pulley Cover Screw Stud		
24 410248	Motor Cover		
25 544270-001	Motor Cover Screw (2)		
26 408792	Motor Cover Screw Spacer (2)		
27 410468	Motor Cover Mounting Plate		
28 544212-001	Motor Cover Mounting Plate Screw (2)		
29 412519	Thread Unwinder Thread Guide Rod Complete		
30 544212-003	Thread Unwinder Thread Guide Rod Screw		
31 543805-003	Thread Unwinder Thread Guide Rod Screw Washer		
32 410389	Thread Unwinder Complete		
33 546893	Spool Holder (3)		
34 544213-001	Thread Unwinder Complete Screw (2)		
35 412518	Thread Unwinder Complete		
36 412662	Convertible Bed Plate Complete		
37 412663	Convertible Bed Plate Complete		
38 410246	Convertible Bed Plate Stud		
39 546623	Convertible Bed Plate Stud Retaining Ring (2)		
40 410247	Convertible Bed Plate Stud Spring		
41 546623	Convertible Bed Plate Latch Retaining Ring		
42 381877	Convertible Bed Plate Latch Spring		
43 381874-451	Convertible Bed Plate Latch		
44 544203-001	Convertible Bed Plate Stud Screw		
45 412682	Cylinder Cover Spring		
46 412697	Cylinder Cover Spring Clamping Screw		
47 412706	Cylinder Cover Complete		
48 412609	Machine Base Cushion (4)		



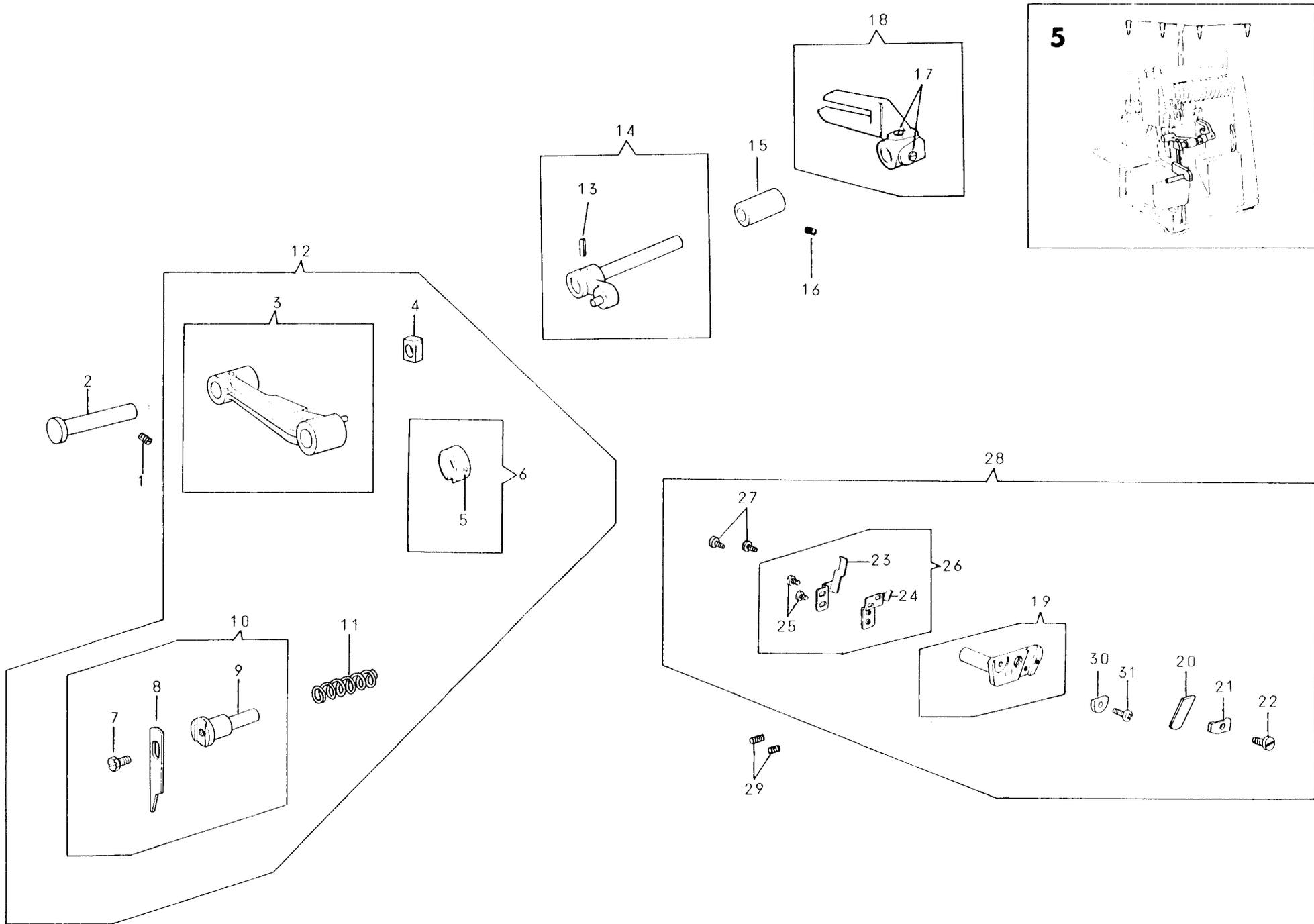
PART NO.	DESCRIPTION	PART NO.	DESCRIPTION
1 410276	Tension Dial Bracket (right) Complete (for 13A/23A)	31 412602-456	Tension Dial Complete (for 13A/23A)
1 412674	One Turn Tension Dial Bracket (right) Complete (for 53A)	31 412727	One Turn Tension Dial Complete (L) (right) (for 53A)
2 410276	Tension Disc (2)	32 410232	Tension Dial Bracket (left) Complete (for 13A/23A)
3 410277	Tension Disc Spring (for 13A/23A)	32 412675	One Turn Tension Dial Bracket (left) Complete (for 53A)
3 412680	Tension Disc Spring (for 53A)	33 410226	Tension Disc (2)
4 410228	Tension Disc Spring Nut (for 13A/23A)	34 410227	Tension Disc Spring (for 13A/23A)
4 412681	Tension Disc Spring Nut (for 53A)	34 412680	Tension Disc Spring (for 53A)
5 410229-458	Tension Dial Complete (for 13A/23A)	35 410228	Tension Disc Spring Nut (for 13A/23A)
5 410229-454	Tension Dial Complete (for 53A)	35 412681	Tension Disc Spring Nut (for 53A)
7 410230	Tension Dial Presser Spring	36 410229-455	Tension Dial Complete (for 13A/23A)
8 544265	Tension Dial Presser Spring Screw	36 410229-453	Tension Dial Complete (for 53A)
9 412600-458	Tension Dial Complete (for 13A/23A)	36 410230	Tension Dial Presser Spring
9 412724	One Turn Tension Dial Comp. (R) (right) (for 53A)	36 544265	Tension Dial Presser Spring Screw
10 412697	Tension Dial Complete Screw (2)	40 412603-455	Tension Dial Bracket (left) Complete (for 13A/23A)
11 410232	Tension Dial Bracket (left) Complete (for 13A/23A)	40 412728	One Turn Tension Dial Complete (L) (left) (for 53A)
11 412675	One Turn Tension Dial Bracket (left) Complete (for 53A)	41 544212-001	Tension Dial Bracket (left) Set Screw (2)
12 410276	Tension Disc (2)	42 412595-452	Tension Dial Complete (for 13A/23A)
13 410277	Tension Disc Spring (for 13A/23A)	42 412726	One Turn Tension Dial Complete (L) (for 53A)
13 412680	Tension Disc Spring (for 53A)	43 412666	Front Cover (body) Complete (for 13A/23A)
14 410228	Tension Disc Spring Nut (for 13A/23A)	43 412666-001	Front Cover (body) Complete (for 53A)
14 412681	Tension Disc Spring Nut (for 53A)	44 544211-073	Front Cover Screw (4)
15 410229-457	Tension Dial Complete (for 13A/23A)	45 412551	Front Cover Thread Guide (small)
15 410229-454	Tension Dial Complete (for 53A)	46 412697	Front Cover Thread Guide (small) Screw
17 410230	Tension Dial Presser Spring	47 412552	Front Cover Thread Guide Bracket
18 544265	Tension Dial Presser Spring Screw	48 412697	Front Cover Thread Guide Bracket Screw
19 412601-457	Tension Dial Bracket (left) Complete (for 13A/23A)	49 412710	Front Cover Complete (for 13A/23A)
19 412725	One Turn Tension Dial Complete (R) (left) (for 53A)	49 412722	Front Cover Complete (for 53A)
20 544212-001	Tension Dial Bracket (left) Set Screw (2)	50 412696	Washer (for 53A)
21 412599-452	Tension Dial Complete (for 13A/23A)	51 412696	Washer (for 53A)
21 412725	One Turn Tension Dial Complete (R) (for 53A)	52 412696	Washer (for 53A)
22 410276	Tension Dial Bracket (right) Complete (for 13A/23A)	53 412696	Washer (for 53A)
22 412674	One Turn Tension Dial Bracket (right) Complete (for 53A)		
23 410276	Tension Disc (2)		
24 410477	Tension Disc Spring (for 13A/23A)		
24 412679	Tension Disc Spring (for 53A)		
25 410228	Tension Disc Spring Nut (for 13A/23A)		
25 412681	Tension Disc Spring Nut (for 53A)		
26 410229-458	Tension Dial Complete (for 13A/23A)		
26 410229-454	Tension Dial Complete (for 53A)		
28 410230	Tension Dial Presser Spring		
29 544265	Tension Dial Presser Spring Screw		
30 412697	Tension Dial Complete Screw (2)		



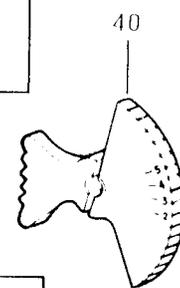
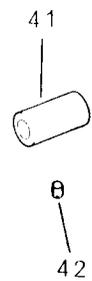
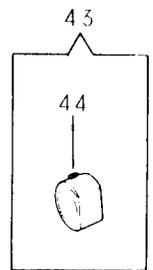
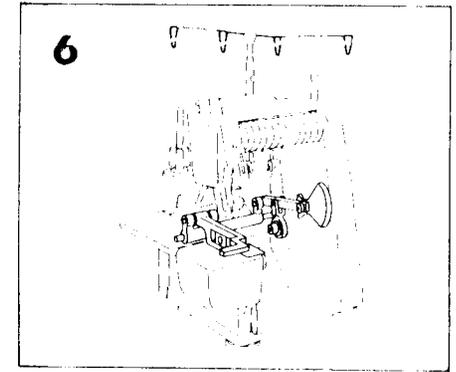
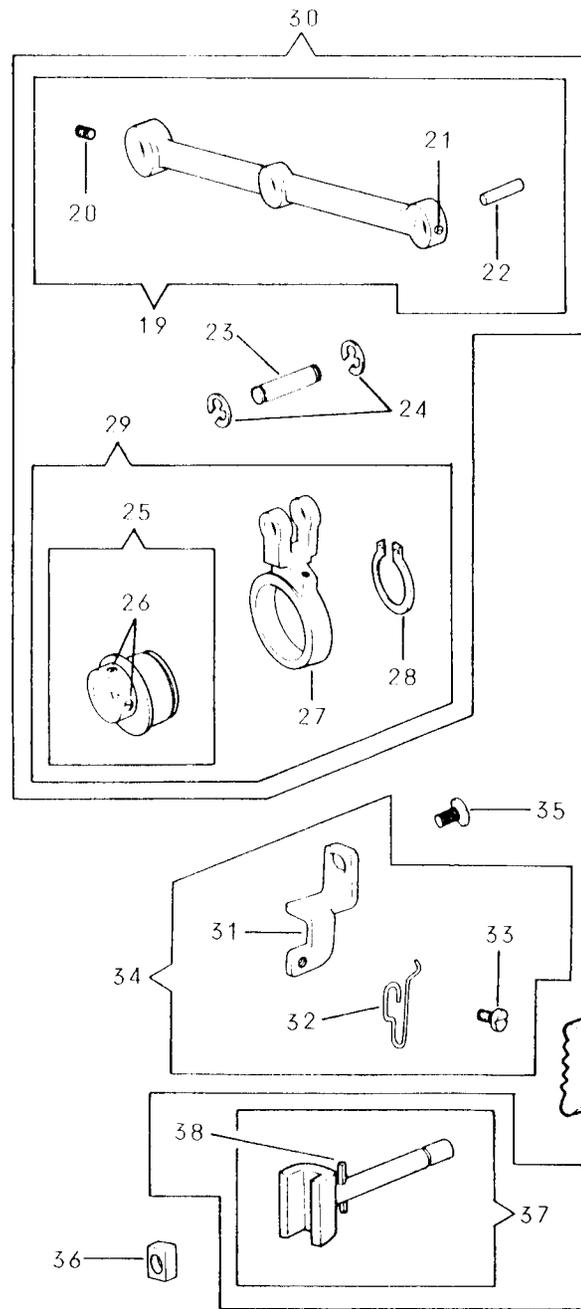
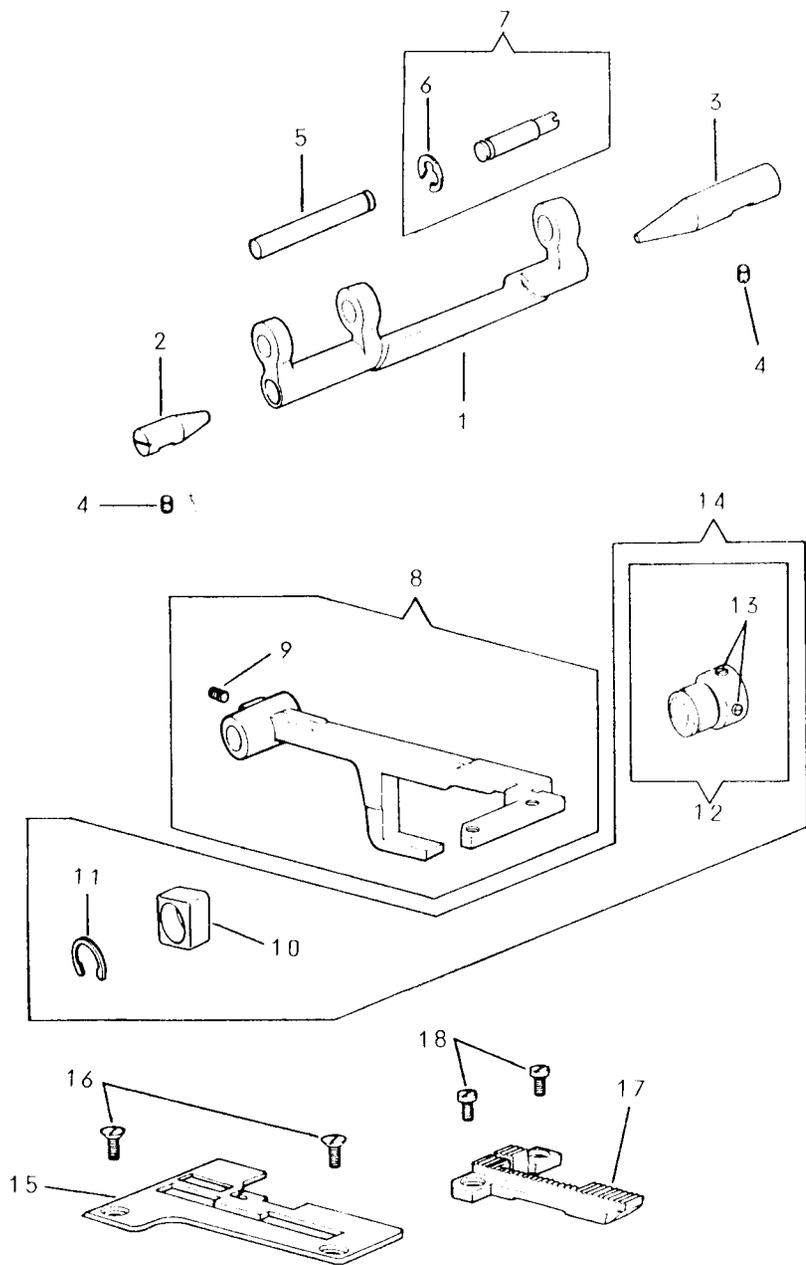
PART NO.	DESCRIPTION	PART NO.	DESCRIPTION
1 544762	Presser Regulating Thumb Screw	51 544705-001	Needle Bar Crank Rod Slide Block Pin Screw
2 410355	Presser Bar Spring	52 410358	Needle Bar Crank Rod Complete
3 544704-001	Presser Bar Guide Bracket Screw	53 410340	Needle Bar Crank Rod Slide Block Pin
4 410352	Presser Bar Guide Bracket Complete	54 511030	Needle Bar Crank Rod Slide Block
5 410354	Presser Bar Lifter	55 543801-006	Needle Bar Crank Rod Slide Block Pin Retaining Ring
6 544261	Presser Bar Lifter Screw Stud	56 410337	Needle Bar Crank Rod Complete
7 410351	Presser Bar	57 544704-002	Needle Bar Eccentric Cam Set Screw (2)
8 504065-451	Presser Foot Screw	58 410329	Needle Bar Eccentric Cam Complete
9 412528	Presser Foot Complete	59 410340	Needle Bar Crank Rod Pin
10 410349	Thread Cutter	60 543801-006	Needle Bar Crank Rod Pin Retaining Ring
11 410348	Presser Foot Spring		
12 544264	Presser Foot Screw Stud		
13 412530	Presser Foot Chaining-off Finger		
14 545180	Presser Foot Chaining-off Finger Screw		
15 412527	Presser Foot Complete		
16 410322	Needle Bar Bushing (upper) Cap		
17 410323	Needle Bar Bushing (upper)		
18 544204-001	Needle Bar Bushing Set Screw (2)		
19 410320	Needle Bar		
20 410321	Needle Bar Thread Guide		
21 412571	Needle Bar Complete		
22 410324	Needle Bar Bushing (lower)		
23 412574	Needle Clamp		
24 412575	Needle Thread Pre-tension Bracket		
25 412576	Needle Thread Pre-tension Plate		
26 412577	Needle Thread Pre-tension Spring		
27 544408	Needle Thread Pre-tension Bracket Set Screw		
28 549324	Needle Set Screw		
29 544005	Needle Set Screw		
30 544707-011	Needle Clamp Set Screw		
31 412573	Needle Clamp		
32 R2053-14	Needle (2)		
33 412684	Arm Shaft		
34 410279	Arm Shaft Bushing (2)		
35 544704-001	Arm Shaft Bushing Set Screw (2)		
36 543801-007	Arm Shaft Retaining Ring		
39 544044	Needle Bar Connecting Stud Screw		
40 410325	Needle Bar Connecting Stud		
41 410340	Needle Bar Connecting Link Pin		
42 543801-006	Needle Bar Connecting Link Pin Retaining Ring		
43 410327	Needle Bar Connecting Link		
44 412536	Thread Take-up		
45 544211-051	Thread Take-up Screw		
46 412605	Needle Bar Connecting Link		
47 544203-001	Needle Bar Crank Rod Pin Screw		
48 544204-001	Needle Bar Crank Screw (2)		
49 544205-001	Needle Bar Connecting Link Pin		
50 412707	Needle Bar Crank Complete		



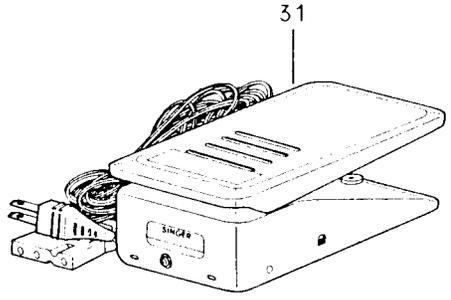
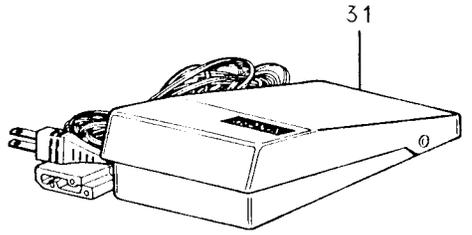
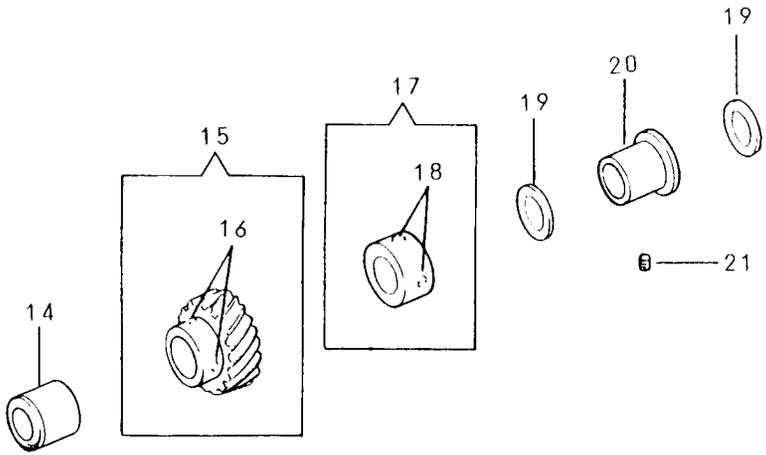
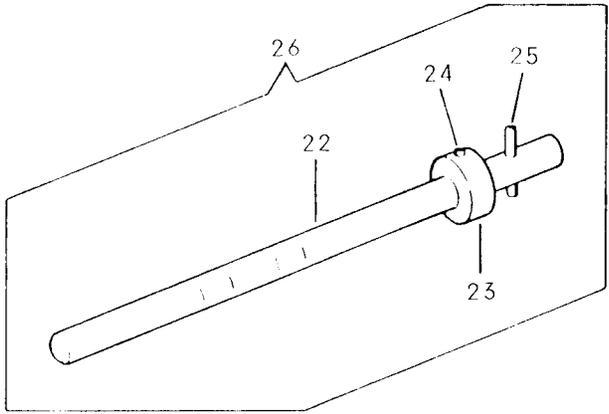
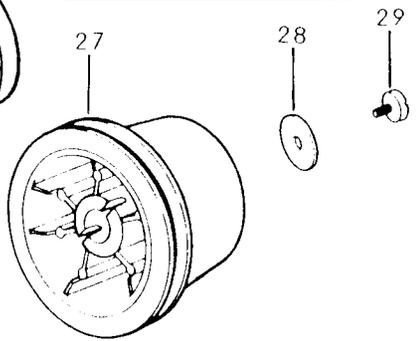
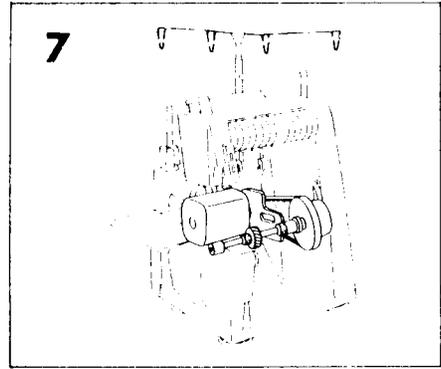
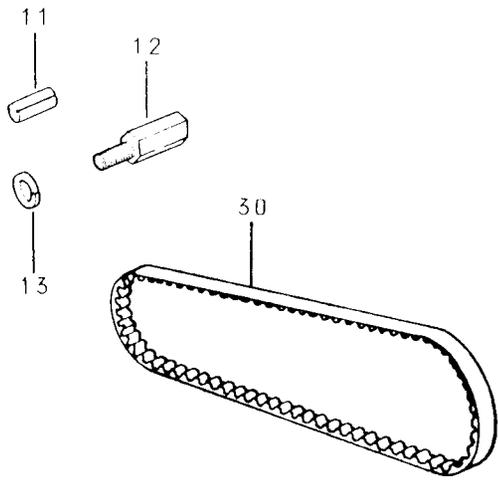
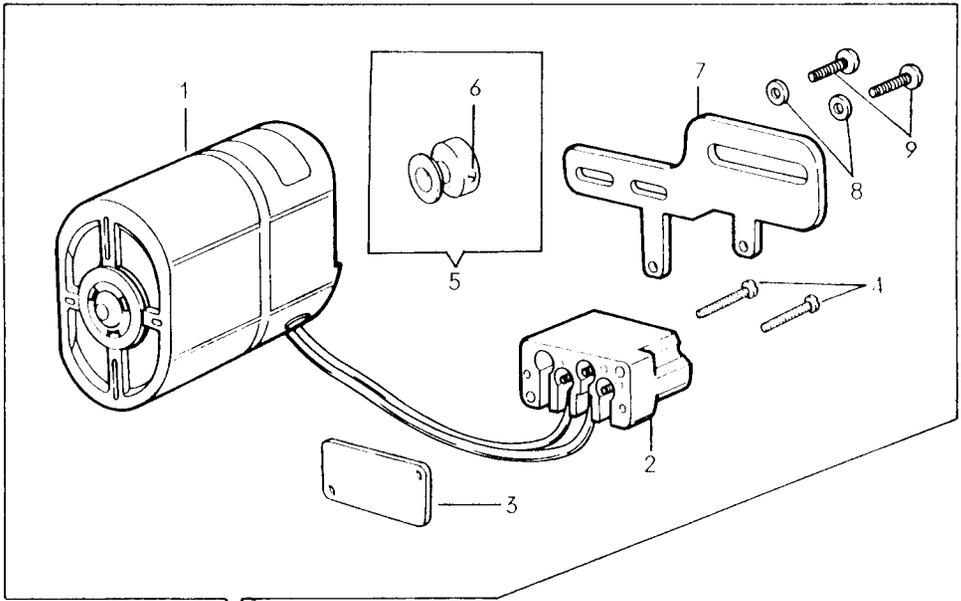
	PART NO.	DESCRIPTION		PART NO.	DESCRIPTION		PART NO.	DESCRIPTION
1	410290	Looper Driving Gear Shaft	37	410260	Looper Driving Gear Shaft Bushing (short)	73	410422	Overedge looper Holder Driving Lever Stud Wick
2	412511	Looper Driving Gear Shaft Bushing	38	410286	Overedge Looper Cam Complete	74	412686	Overedge Looper Holder Support Link Stud Complete
3	544204-001	Looper Driving Gear Shaft Bushing Set Screw (2)	39	544204-001	Overedge Looper Cam Set Screw (2)			
4	542402	Looper Driving Gear Shaft Collar Thrust Washer (2)	40	410491	Overedge Looper Cam Rod			
5	544203-001	Looper Driving Gear Shaft Collar Screw (4)	41	412610	Overedge Looper Cam Rod Wick	76	410422	Overedge Looper Holder Support Link Bracket Stud Wick
6	410291	Looper Driving Gear Shaft Collar Complete (2)	42	410497	Overedge Looper Cam Rod Complete			
7	544204-001	Looper Driving Gear Screw (2)	43	410266	Overedge Looper Cam Rod Stud Complete			
8	410394	Looper Driving Gear Complete	44	410422	Overedge Looper Cam Rod Stud Wick			
9	412562	Chain Stitch Drive Cam Complete	45	410284	Overedge Looper Shaft Lever Complete	78	412711	Overedge Looper Holder Support Link Thrust Washer
10	544204-001	Chain Stitch Drive Cam Set Screw (2)	46	544213-054	Overedge Looper Shaft Lever Screw	79	544204-001	Overedge Looper Holder Support Link Stud Set Screw
11	410492	Chain Stitch Drive Cam Rod	47	544203-001	Overedge Looper Cam Rod Stud Set Screw	80	412685	Overedge Looper Holder Support Link Complete
12	543802-018	Chain Stitch Drive Cam Retaining Ring	48	410496	Overedge Looper Cam Rod Complete	81	412608	Overedge Looper Holder Stud Complete
13	412560	Chain Stitch Drive Cam Rod Complete	49	410260	Overedge Looper Shaft Bushing (short) (2)	82	412607	Overedge Looper Holder Stud
14	412557	Chain Stitch Drive Arm	50	544204-001	Overedge Looper Shaft Bushing Set Screw (2)	83	410422	Overedge Looper Holder Stud Wick
15	544204-001	Chain Stitch Drive Arm Screw (2)	51	410279	Overedge Looper Shaft Bushing (long)	84	412712	Overedge Looper Holder Complete
16	412556	Chain Stitch Drive Arm Complete	52	410291	Overedge Looper Shaft Collar Complete (2)			
17	410279	Chain Stitch Looper Shaft Bushing	53	544203-001	Overedge Looper Shaft Collar Screw (4)	86	410262	Overedge Looper
18	544204-001	Chain Stitch Looper Shaft Bushing Set Screw (2)	54	412549	Overedge Looper Holder Driving Lever (drive) Complete	87	410293	Looper Thread Guide
19	412550	Chain Stitch Looper Shaft	55	544204-001	Overedge Looper Holder Driving Lever (drive) Screw (2)	88	412695	Looper Thread Guide (small)
20	412551	Chain Stitch Looper Holder Complete	56	412544	Overedge Looper Holder Driving Lever (follower)	89	412535	Chain Stitch Looper Thread Guide (small)
21	544213-053	Chain Stitch Looper Holder Clamping Screw	57	544418	Overedge Looper Holder Driving Lever Lock Screw	90	544212-001	Looper Thread Guide Screw (2)
22	412553	Chain Stitch Looper	58	410495	Overedge Looper Holder Driving Lever Lock Screw Pin	91	410422	Oil Wick
23	549364	Chain Stitch Looper Screw	59	412546	Overedge Looper Holder Driving Lever Lock Screw Pin Spring	92	543801-006	Chain Stitch Looper Avoid Cam Forked Lever Stud Retaining Ring
24	412554	Chain Stitch Looper Holder Thread Guide	60	544419	Overedge Looper Holder Driving Lever Lock Screw Pin Spring Screw			
25	544212-001	Chain Stitch Looper Holder Thread Guide Screw	61	412543	Overedge Looper Holder Driving Lever (front) Complete			
26	412565	Chain Stitch Looper Avoid Cam Forked Lever	62	412548	Overedge Looper Shaft			
27	412566	Chain Stitch Looper Avoid Cam Forked Lever Stud Comp.	63	543801-013	Overedge Looper Shaft Retaining Ring			
28	410409	Chain Stitch Looper Avoid Cam Forked Lever Stud Collar Complete	64	412547	Overedge Looper Shaft Complete			
29	504007	Chain Stitch Looper Avoid Cam Forked Lever Stud Collar Screw (2)	65	412598	Overedge Looper Holder Driving Lever Complete			
30	412564	Chain Stitch Looper Avoid Cam Forked Lever Complete	66	410264	Overedge Looper Holder Complete			
31	544204-001	Chain Stitch Looper Avoid Cam Forked Lever Stud Set Screw	67	549364	Overedge Looper Screw			
32	410291	Chain Stitch Looper Shaft Collar Complete	68	544203-002	Overedge Looper Holder Stud Set Screw			
33	544203-001	Chain Stitch Looper Shaft Collar Screw (2)	69	544203-002	Overedge Looper Holder Driving Lever Stud Set Screw			
34	410280	Chain Stitch Looper Shaft Bushing	70	544203-002	Overedge Looper Holder Driving Lever Stud Set Screw			
35	412569	Chain Stitch Looper Avoid Cam Complete	71	410424	Overedge Looper Holder Driving Lever Stud Complete			
36	544203-001	Chain Stitch Looper Avoid Cam Screw (2)	72	410415	Overedge Looper Holder Driving Lever Stud			



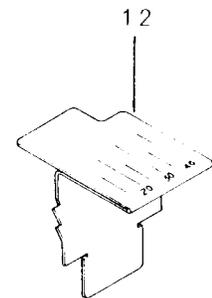
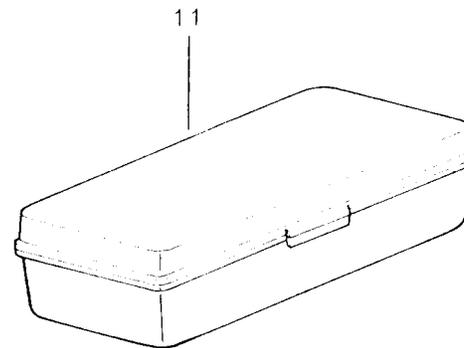
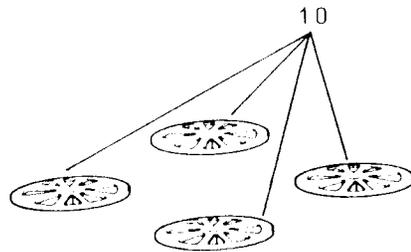
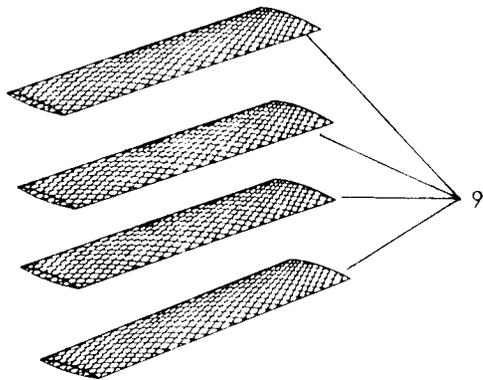
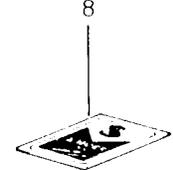
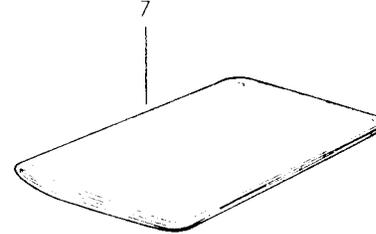
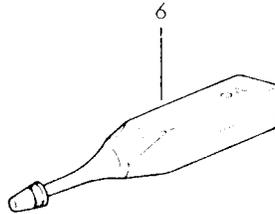
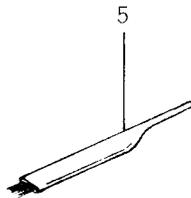
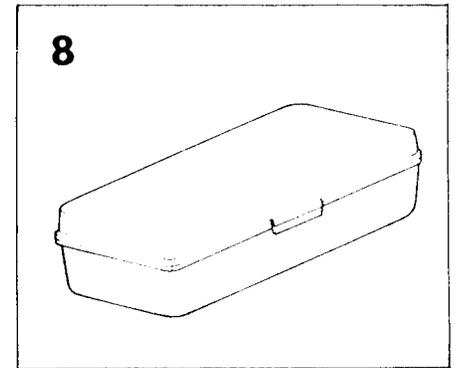
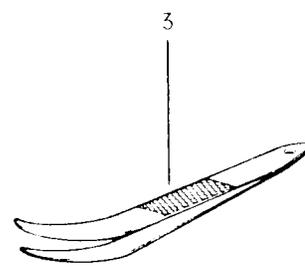
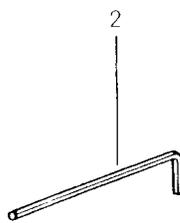
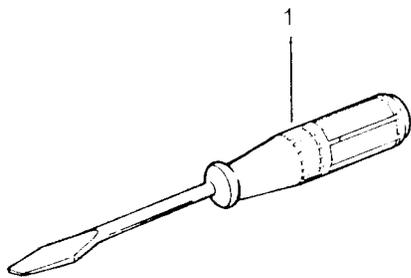
PART NO.	DESCRIPTION				
1 544204-001	Knife (movable) Lever Hinge Stud Screw				
2 410510	Knife (movable) Lever Hinge Stud				
3 412582	Knife (movable) Lever Complete				
4 540254	Knife (movable) Lever Slide Block				
5 544205-001	Knife (movable) Holder Collar Set Screw				
6 410508	Knife (movable) Holder Collar Complete				
7 544407	Knife (movable) Holder Screw				
8 412585	Knife (movable)				
9 412586	Knife (movable) Holder				
10 412584	Knife (movable) Complete				
11 410507	Knife (movable) Holder Spring				
12 412581	Knife (movable) Lever Complete				
13 543809-002	Knife (movable) Lever Driving Arm Spring Pin				
14 410512-013	Knife (movable) Lever Driving Arm Complete				
15 410516	Knife (movable) Forked Lever Stud Bushing				
16 544204-001	Knife (movable) Forked Lever Stud Bushing Set Screw				
17 544204-001	Knife (movable) Forked Lever Screw (2)				
18 410517	Knife (movable) Forked Lever Complete				
19 412579	Knife (stationary) Holder Complete				
20 410295	Knife (stationary)				
21 410297	Knife (stationary) Clamping Plate				
22 544256	Knife (stationary) Clamping Plate Screw				
23 412588	Needle Guard (front)				
24 412589	Needle Guard (back)				
25 545180	Needle Guard Screw (2)				
26 412604	Needle Guard Complete				
27 545180	Needle Guard Screw (2)				
28 412578	Knife (stationary) Complete				
29 544207-011	Knife (stationary) Holder Screw (2)				
30 410489	Knife (stationary) Holder Positioning Plate				
31 544211-002	Knife (stationary) Holder Positioning Plate Screw				



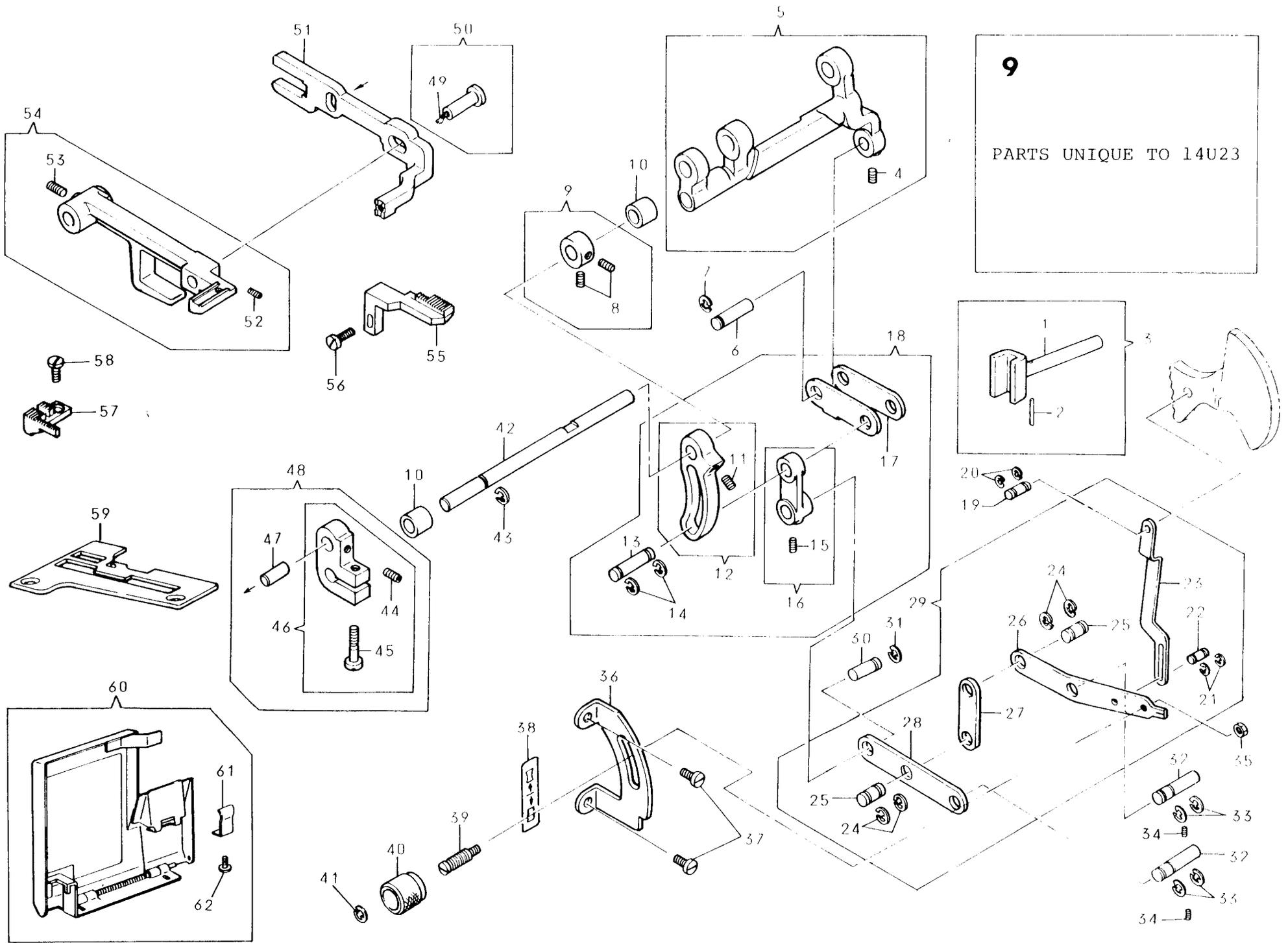
PART NO.	DESCRIPTION				
1 410 578	Feed Crank (for 13A/53A)				
2 410 580	Feed Crank Pin Center (small)				
3 410 579	Feed Crank Pin Center (large)				
4 544 04-001	Feed Crank Pin Center Screw (2)				
5 410 581	Feed Crank Pin				
6 544 001-006	Feed Crank Pin Retaining Ring				
7 410 582	Feed Crank Eccentric Pin Complete				
8 410 599	Feed Bar Complete (for 13A/53A)				
9 544 04-001	Feed Crank Pin Screw (for 13A/53A)				
10 410 587	Feed Lifting Cam Slide Block				
11 544 418-010	Feed Lifting Cam Slide Block Retaining Ring				
12 410 585	Feed Lifting Cam Complete				
13 544 04-001	Feed Lifting Cam Set Screw (2)				
14 410 584	Feed Lifting Cam Complete				
15 410 555	Throat Plate (for 13A/53A)				
16 504 550-851	Throat Plate Screw (2)				
17 410 558	Feed Dog (for 13A/53A)				
18 544 003	Feed Dog Screw (2) (for 13A/53A)				
19 410 564	Feed Regulator Crank Rod Complete				
20 544 04-001	Feed Crank Eccentric Pin Screw				
21 544 03-001	Feed Regulator Slide Block Stud Screw				
22 410 575	Feed Regulator Slide Block Stud				
23 410 563	Feed Crank Rod Pin				
24 544 01-006	Feed Crank Rod Pin Retaining Ring (2)				
25 410 560	Feed Cam Complete				
26 544 03-001	Feed Cam Screw (2)				
27 410 562	Feed Crank Rod				
28 544 002-014	Feed Cam Retaining Ring				
29 410 559	Feed Cam Complete				
30 410 593	Feed Regulator Crank Rod Complete				
31 410 576	Feed Regulator Dial Spring Bracket				
32 410 577	Feed Regulator Dial Spring				
33 544 12-001	Feed Regulator Dial Spring Screw				
34 410 575	Feed Regulator Dial Spring Bracket Complete				
35 544 13-001	Feed Regulator Dial Spring Bracket Screw				
36 540 54	Feed Regulator Slide Block				
37 410 567	Feed Regulator Complete (for 13A/53A)				
38 544 07-005	Feed Regulator Stud Pin (for 13A/53A)				
39 410 566	Feed Regulator Complete (for 13A/53A)				
40 410 515-002	Feed Regulator Dial				
41 410 570	Feed Regulator Stud Bushing				
42 544 04-001	Feed Regulator Stud Bushing Set Screw				
43 410 509	Feed Regulator Stud Collar Complete				
44 504 507	Feed Regulator Stud Collar Screw				
45 544 01-007	Feed Crank Eccentric Pin Retaining Ring				



	PART NO.	DESCRIPTION				
1						
2						
3						
4						
5						
6						
7						
8						
9						
10	411645-000	Motor Complete (for 13A/23A)				
10	419057-001	Motor Complete (for 53A) (for UL)				
10	419114-001	Motor Complete (for 53A) (for UL/CSA)				
11	543811-001	Motor Bracket Guide Pin				
12	544259	Motor Bracket Clamping Screw				
13	543805-005	Motor Bracket Clamping Screw Washer				
14	410252	Rotating Shaft Bushing (left)				
15	410260	Rotating Shaft Gear				
16	544204-001	Rotating Shaft Gear Set Screw (2)				
17	410470	Rotating Shaft Collar Complete				
18	544204-001	Rotating Shaft Collar Set Screw (2)				
19	408730	Rotating Shaft Thrust Washer (2)				
20	410253	Rotating Shaft Bushing (right)				
21	544204-001	Rotating Shaft Bushing (right) Set Screw				
22	410257	Rotating Shaft				
23	410469	Rotating Shaft Fixed Collar				
24	543808-003	Rotating Shaft Fixed Collar Positioning Pin				
25	543809-004	Rotating Shaft Spring Pin				
26	410256	Rotating Shaft Complete				
27	410268-001	Pulley				
28	410400	Pulley Set Screw Washer				
29	544273	Pulley Set Screw				
30	412721	Motor Belt				
31	411646-000	Controller Complete (for 13A/23A)				
31	419058	Controller Complete (for 53A) (for UL)				
31	419115-001	Controller Complete (for 53A) (for UL/CSA)				



	PART NO.	DESCRIPTION					
1	541515	Driver (medium)					
2	543066	Hex-head Wrench					
3	543162	Tweezers					
4	410295	Knife (stationary)					
5	540358	Brush					
6	541574	Oiler					
7	543158	Machine Cover					
8	02055-01	Needle (16X71 #10) (2)					
	02053-01	Needle (16X71 #14) (3)					
9	543131	Thread Unwinder Spool Net (4)					
10	540894	Thread Unwinder Spool Cap (4)					
11	543150-000	Accessory Box					
12	412520	Chain Stitch Seam Width Gage					



**9**  
PARTS UNIQUE TO 14U23

	PART NO.	DESCRIPTION		PART NO.	DESCRIPTION			
1	410367-451	Feed Regulator Complete	35	541165-003	Differential Feed Knob Screw Nut			
2	543807-005	Feed Regulator Stud Pin	36	412645	Differential Feed Adjusting Lever Guide Plate			
3	412617	Feed Regulator Complete	37	544212-001	Differential Feed Adjusting Lever Guide Plate Screw (2)			
4	544204-001	Differential Feed Crank Stud Screw	38	412655-902	Differential Feed Sticker			
5	412618	Differential Feed Crank Complete	39	544489	Differential Feed Knob Screw			
6	412620	Differential Feed Crank Stud	40	541459	Differential Feed Knob			
7	543801-006	Differential Feed Crank Stud Retaining Ring	41	543801-005	Differential Feed Knob Screw Retaining Ring			
8	544203-001	Differential Feed Shaft Collar Screw (2)	42	412628	Differential Feed Shaft			
9	412629	Differential Feed Shaft Collar Complete	43	543801-006	Differential Feed Shaft Retaining Ring			
10	410324	Differential Feed Shaft Pushing (2)	44	544203-001	Auxiliary Feed Bar Driving Pin Screw			
11	544204-001	Differential Feed Adjusting Arm Screw	45	544212-055	Differential Feed Arm Clamping Screw			
12	412623	Differential Feed Adjusting Arm Complete	46	412632	Differential Feed Arm Complete			
13	412627	Differential Feed Crank Rod Stud	47	412634	Auxiliary Feed Bar Driving Pin			
14	543801-006	Differential Feed Crank Rod Stud Retaining Ring (2)	48	412631	Differential Feed Arm Complete C			
15	544203-001	Differential Feed Adjusting Lever Arm Pin Screw	49	410422	Wick			
16	412625	Differential Feed Adjusting Lever Arm Complete	50	410266	Auxiliary Feed Bar Guide Pin Complete			
17	412632	Differential Feed Crank Rod	51	412648	Auxiliary Feed Bar			
18	412621	Differential Feed Crank Rod Complete	52	544203-001	Auxiliary Feed Bar Guide Pin Screw			
19	412643	Differential Feed Safety Plate Stud (Upper)	53	544204-001	Feed Crank Pin Screw			
20	543801-002	Differential Feed Safety Plate Stud Retaining Ring (2)	54	412646	Main Feed bar Complete			
21	543801-002	Differential Feed Safety Plate Stud Retaining Ring (2)	55	412653	Auxiliary Feed Dog			
22	412642	Differential Feed Safety Plate Stud (Lower)	56	544490	Auxiliary Feed Dog Screw			
23	412641	Differential Feed Safety Plate	57	412652	Main Feed Dog			
24	543801-006	Differential Feed Adjusting Lever Pin Retaining Ring (4)	58	544103	Main Feed Dog Screw			
25	412638	Differential Feed Adjusting Lever Pin (2)	59	412654	Throat Plate			
26	412640	Differential Feed Adjusting Lever (Upper)	60	412522-008	Looper Cover Complete			
27	412639	Differential Feed Adjusting Lever Link	61	412595	Chip Guard Presser Spring			
28	412637	Differential Feed Adjusting Lever (Lower)	62	544212-001	Chip Guard Presser Spring Screw			
29	412636	Differential Feed Adjusting Lever Complete						
30	412635	Differential Feed Adjusting Lever Arm Pin						
31	543801-006	Differential Feed Adjusting Lever Arm Pin Retaining Ring						
32	412644	Differential Feed Adjusting Lever Stud (2)						
33	543801-006	Differential Feed Adjusting Lever Stud Retaining Ring (4)						
34	544203-001	Differential Feed Adjusting Lever Stud Screw (2)						